

CONTINENTAL GLASS SYSTEMS, INC. VDS 60 MIN. TEMP. RISE HI CURTAIN WALL LARGE MISSILE IMPACT (LMI)

GENERAL NOTES:

- THIS PRODUCT HAS BEEN DESIGNED AND TESTED TO COMPLY WITH THE REQUIREMENTS OF THE FLORIDA BUILDING CODE 2014 EDITION INCLUDING HIGH VELOCITY HURRICANE ZONE (HVHZ).
- WINDOWS RATED FOR LARGE MISSILE IMPACT. IMPACT SHUTTERS ARE NOT REQUIRED.
- THIS CURTAIN WALL IS APPROVED FOR AIR AND WATER INFILTRATION.
- ANCHORS SHALL BE AS LISTED, SPACED AS SHOWN ON DETAILS. ANCHORS EMBEDMENT TO BASE MATERIAL SHALL BE BEYOND WALL DRESSING OR STUCCO.
- ANCHORING OR LOADING CONDITIONS NOT SHOWN IN THESE DETAILS ARE NOT PART OF THIS APPROVAL.
- MATERIALS INCLUDING BUT NOT LIMITED TO STEEL/METAL SCREWS THAT COME INTO CONTACT WITH OTHER DISSIMILAR MATERIALS SHALL MEET THE REQUIREMENTS OF THE 5TH EDITION FLORIDA BUILDING CODE (2014) SECTION AS APPLICABLE.
- METAL STRUCTURES NOT BY CONTINENTAL GLASS SYSTEMS TO BE DESIGNED TO SUPPORT THE LOADS IMPOSED BY THIS GLAZING SYSTEM AND TO TRANSFER SUCH LOADS TO THE BUILDING MAIN STRUCTURE.
- ULTIMATE LOAD OBTAINED FROM ASCE 7-10, MULTIPLY BY 0.6 SHALL BE LESS THAN OR EQUAL TO MAX. DESIGN LOAD IN THIS DOCUMENT. THE DESIGN LOADS SHOWN IN THIS DOCUMENT ARE ALLOWABLE DESIGN LOADS.

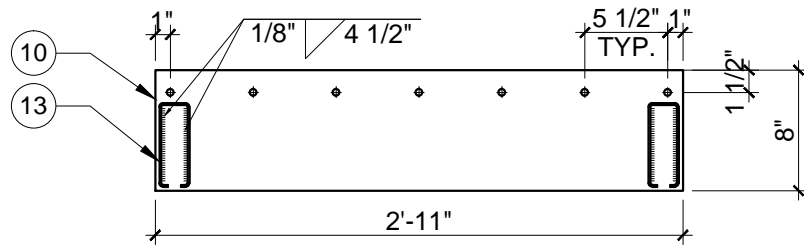
-TYPICAL ANCHORS: (SEE ELEVATIONS FOR SPACING)

A) 3/8" DIA. HILTI KWIK HUS EZ
(Fu = 120 KSI, Fy = 95 KSI)
2 1/2" MIN. EMBED DIRECTLY INTO CONCRETE

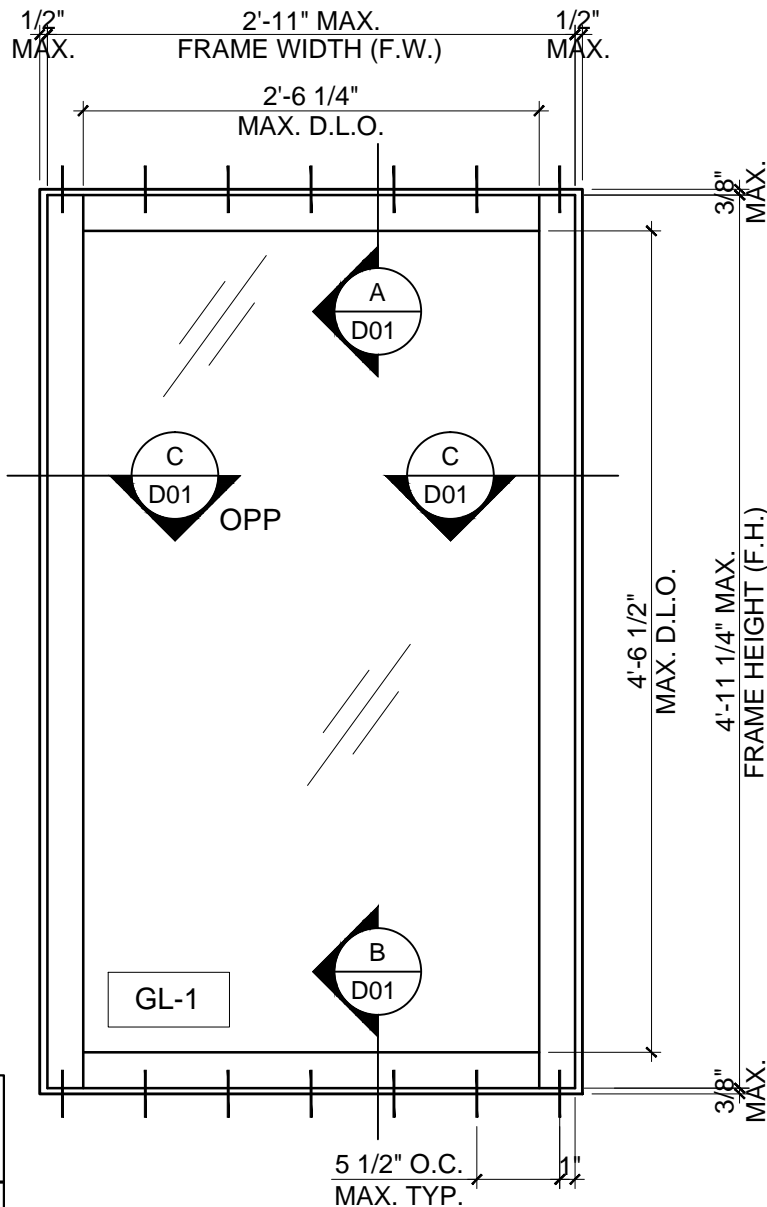
-SEALANTS:

ALL FRAME CORNERS, JOINTS, MULLION SEAMS AND PERIMETER GLAZING BEAD TO FRAME SEALED WITH SILICON SEALANT.

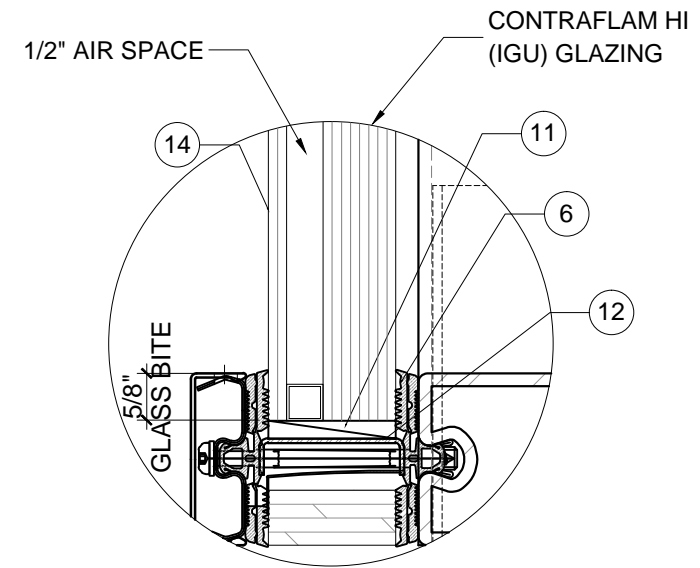
DESIGN LOADS (FOR SIZES SHOWN ABOVE OR SMALLER) AS PERMITTED BY FBC
+90.0 PSF
- 90.0 PSF



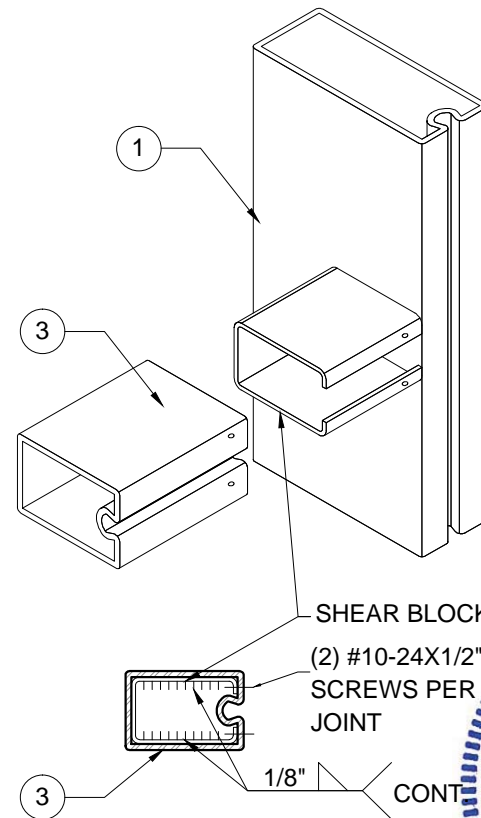
**ANCHOR LAYOUT
HEAD & SILL**



**TYPICAL ELEVATION
(EXTERIOR)**



**GLASS TYPE "GL-1"
1 3/4" NOMINAL OVERALL
CONTRAFLAM 60 HURRICANE IMPACT
IGU W/ 1/2" SPACER**



FRAME ASSEMBLY

LIMITATIONS OF USE

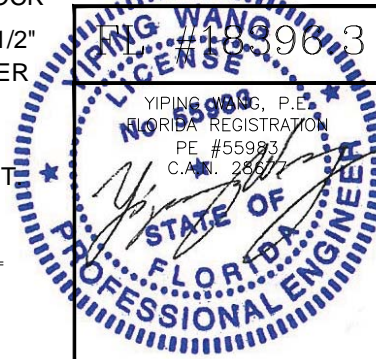
A- THIS PRODUCT EVALUATION DOCUMENT (P.E.D.) PREPARED BY THIS ENGINEER IS GENERIC AND DOES NOT PROVIDE INFORMATION FOR A SITE SPECIFIC PROJECT; i.e. WHERE THE SITE CONDITIONS DEVIATE FROM THE P.E.D.

B- CONTRACTOR TO BE RESPONSIBLE FOR THE SELECTION, PURCHASE AND INSTALLATION OF THIS PRODUCT BASED ON THIS PRODUCT EVALUATION PROVIDED HE/SHE DOES NOT DEVIATE FROM THE CONDITIONS DETAILED ON THIS DOCUMENT.

C- THIS PRODUCT EVALUATION DOCUMENT WILL BE CONSIDERED INVALID IF ALTERED BY ANY MEANS.

D- SITE SPECIFIC PROJECTS SHALL BE PREPARED BY A FLORIDA REGISTERED ENGINEER OR ARCHITECT WHICH WILL BECOME THE ENGINEER OF RECORD (E.O.R.) FOR THE PROJECT AND WHO WILL BE RESPONSIBLE FOR THE PROPER USE OF THE P.E.D.

E- THIS P.E.D. SHALL BEAR THE DATE AND ORIGINAL SEAL AND SIGNATURE OF THE PROFESSIONAL ENGINEER OF RECORD THAT PREPARED IT.



November 2nd, 2015

NO.	DATE	DESCRIPTION

MCY ENGINEERING, INC.
GLAZING CONSULTANTS
8501 SW 124 Ave. Ste. 205A
MIAMI, FL 33183
P: 305.271.0117
F: 305.279.6818
www.MCYEngineering.com
MCY.Engineering@Att.net

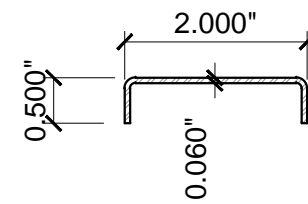
VDS 60 MIN. TEMP. RISE HI CURTAIN WALL - LMI
CONTINENTAL GLASS SYSTEMS, INC.
325 WEST 74 PLACE HIALEAH, FL 33014
TEL (305) 231-1101 FAX (305) 231-1103

DATE	10/08/15
SCALE	AS SHOWN
DRAWN	
PROJECT	15-078
DRAWING NO.	AD15-70

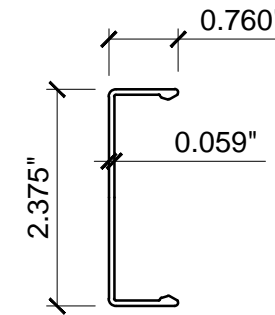
1 OF 3

BILL OF MATERIALS

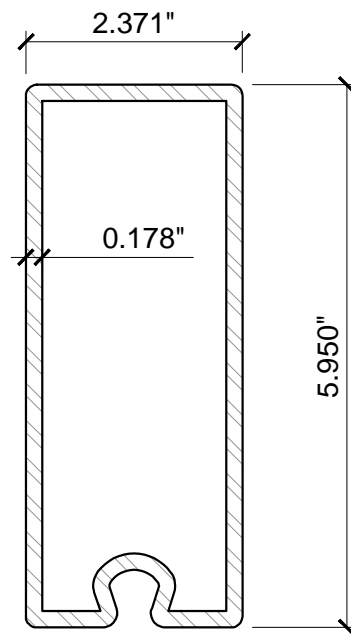
ITEM #	PROFILE	DESCRIPTION	MATERIAL	MANUFACTURER/REMARKS
1	76866	VERTICAL MEMBER	STEEL A36 MIN.	VETROTECH
2	-	SHEAR LUG FOR VERTICAL PROFILE	STEEL A36 MIN.	VETROTECH
3	76863	HORIZONTAL MEMBER	STEEL A36 MIN.	VETROTECH
4	933560	PRESSURE PLATE	STEEL A36 MIN.	VETROTECH
5	935460	WEATHER STRIPPING	EPDM	VETROTECH
6	935461	WEATHER STRIPPING WITH FIN	EPDM	VETROTECH
7	936816/936814	PRESSURE PLATE LOCKING SCREW	STEEL A36 MIN.	VETROTECH
8	-	PERIMETER SEALANT	-	VETROTECH
9	-	BACKING ROD	FOAM	VETROTECH
10	-	1/4" STEEL FRAME ANCHOR PLATE	STEEL A36 MIN.	VETROTECH
11	-	GLASS SETTING BLOCKS	HARDWOOD, CALCIUM SILICATE, OR NEOPRENE	VETROTECH
12	-	WELD-IN SETTING BLOCK SHELF	STEEL A36 MIN.	VETROTECH
13	932364	HORIZONTAL COVER CAP	STEEL A36 MIN.	VETROTECH
14	-	CONTRAFILM HI (IGU) GLAZING	-	VETROTECH
15	-	HARDWOOD BLOCK	WOOD	VETROTECH



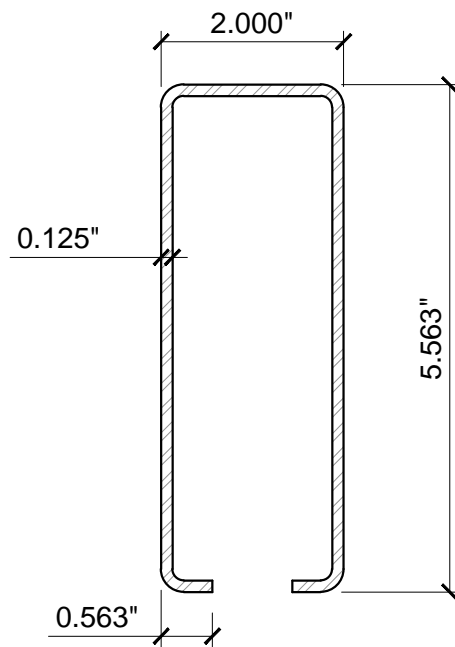
12 WELD-IN SETTING BLOCK SHELF
STEEL A36 MIN.



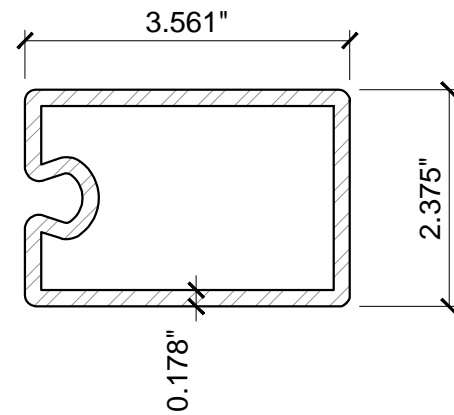
13 COVER CAP
STEEL A36 MIN. 932364



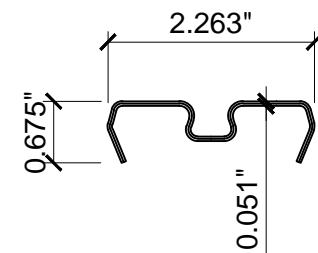
1 VERTICAL MEMBER
STEEL A36 MIN. 76866



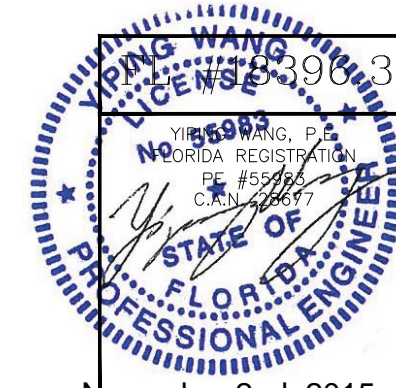
2 SHEAR LUG
STEEL A36 MIN.



3 HORIZONTAL MEMBER
STEEL A36 MIN. 76863



4 PRESSURE PLATE
STEEL A36 MIN. 933560



NO	DATE	DESCRIPTION

MCY ENGINEERING, INC.
GLAZING CONSULTANTS

8501 SW 124 Ave. Ste. 205A
MIAMI, FL 33183

P: 305.271.0117
F: 305.279.6818

www.MCYEngineering.com MCY.Engineering@Att.net

VDS 60 MIN. TEMP. RISE HI CURTAIN WALL - LMI

CONTINENTAL GLASS SYSTEMS, INC.
325 WEST 74 PLACE HIALEAH, FL 33014
TEL (305) 231-1101 FAX (305) 231-1103

BOM	
DATE	10/08/15
SCALE	AS SHOWN
DRAWN	
PROJECT	15-078
DRAWING NO. AD15-70	
3 OF 3	