

CONTINENTAL GLASS SYSTEMS, LLC. SERIES 3000 FIXED WINDOW SMALL MISSILE IMPACT (SMI)

GENERAL NOTES:

- THIS PRODUCT HAS BEEN DESIGNED AND TESTED TO COMPLY WITH THE REQUIREMENTS OF THE 5TH EDITION FLORIDA BUILDING CODE (2014) INCLUDING HIGH VELOCITY HURRICANE ZONE (HVHZ).
- WINDOWS RATED FOR SMALL MISSILE IMPACT. IMPACT SHUTTERS ARE NOT REQUIRED.
- THESE WINDOWS ARE APPROVED FOR AIR AND WATER INFILTRATION.
- ANCHORS SHALL BE AS LISTED, SPACED AS SHOWN ON DETAILS. ANCHORS EMBEDMENT TO BASE MATERIAL SHALL BE BEYOND WALL DRESSING OR STUCCO.
- ANCHORING OR LOADING CONDITIONS NOT SHOWN IN THESE DETAILS ARE NOT PART OF THIS APPROVAL.
- MATERIALS INCLUDING BUT NOT LIMITED TO STEEL/METAL SCREWS THAT COME INTO CONTACT WITH OTHER DISSIMILAR MATERIALS SHALL MEET THE REQUIREMENTS OF THE 5TH EDITION FLORIDA BUILDING CODE (2014) SECTION AS APPLICABLE.
- METAL STRUCTURES NOT BY CONTINENTAL GLASS SYSTEMS, LLC. DESIGNED TO SUPPORT THE LOADS IMPOSED BY THIS GLAZING SYSTEM AND TO TRANSFER SUCH LOADS TO THE BUILDING MAIN STRUCTURE.
- ULTIMATE LOAD OBTAINED FROM ASCE 7-10, MULTIPLY BY 0.6 SHALL BE LESS THAN OR EQUAL TO MAX. DESIGN LOAD IN THIS DOCUMENT. THE DESIGN LOADS SHOWN IN THIS DOCUMENT ARE ALLOWABLE DESIGN LOADS.

-TYPICAL ANCHORS: (SEE ELEVATIONS FOR SPACING)

TYPE 'A' -- 5/16" DIA. ULTRACON BY 'ELCO' (Fu 177 KSI, Fy=155 KSI)
DIRECTLY INTO CONCRETE OR MASONRY
1-3/4" MIN. EMBED INTO CONCRETE fc'=3515 PSI MIN.

TYPE 'B' -- 5/16" DIA. SELF DRILLING SCREWS (GRADE 5 CRS)
INTO MIAMI-DADE COUNTY APPROVED MULLIONS (1/8" THK. MIN.)
INTO METAL STRUCTURES
STEEL: 1/8" THK. MIN. (A36 MIN.)
ALUMINUM: 1/8" THK. MIN. (6063-T5 MIN.)
(STEEL IN CONTACT WITH ALUMINUM TO BE PLATED OR PAINTED)

TYPICAL EDGE DISTANCE

INTO CONCRETE = 3" MIN.
INTO METAL STRUCTURE = 3/4" MIN.

-SEALANTS:

ALL FRAME CORNERS, JOINTS, MULLION SEAMS AND PERIMETER GLAZING BEAD TO FRAME INSTALLATION FASTENERS SEALED WITH SILICONE SEALANT.

FRAME PERIMETER SEALANT TO BE DOW CORNING DC790.

INSTRUCTIONS:

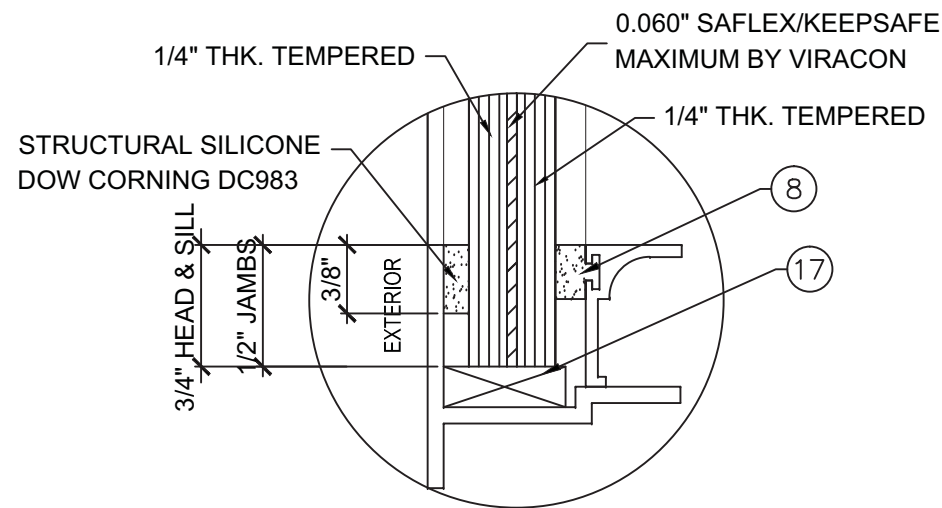
USE CHARTS AS FOLLOWS.

STEP 1: DETERMINE ALLOWABLE DESIGN LOAD REQUIREMENTS BASED ON WIND VELOCITY, BLDG. HEIGHT, WIND ZONE USING APPLICABLE ASCE 7-10 STANDARD.

STEP 2: SEE CHARTS ON SHEET G1 FOR DESIGN LOAD CAPACITY OF DESIRED GLASS SIZE. THE GLASS CAPACITY SHOULD BE GREATER THAN OR EQUAL TO THE ALLOWABLE DESIGN LOAD DETERMINED BY STEP 1.

STEP 3: CHECK MULLION AND JAMB CAPACITY FOR A GIVEN SPACING AND HEIGHT USING CHARTS ON SHEETS M1. THE CAPACITY SHOULD EXCEED THE DESIGN LOAD.

STEP 4: THE LOWEST VALUE RESULTING FROM STEPS 2 AND 3 SHALL APPLY TO ENTIRE SYSTEM.



GLASS TYPE : GL-1

9/16" LAMINATED GLASS
MAX. D.L.O AREA=47.5 INx114 IN=37.6 FT²

LIMITATIONS OF USE

A- THIS PRODUCT EVALUATION DOCUMENT (P.E.D.) PREPARED BY THIS ENGINEER IS GENERIC AND DOES NOT PROVIDE INFORMATION FOR A SITE SPECIFIC PROJECT. I.e. WHERE THE SITE CONDITIONS DEVIATE FROM THE P. E.D.

B- CONTRACTOR TO BE RESPONSIBLE FOR THE SELECTION, PURCHASE AND INSTALLATION OF THIS PRODUCT BASED ON THIS PRODUCT EVALUATION PROVIDED HE/SHE DOES NOT DEVIATE FROM THE CONDITIONS DETAILED ON THIS DOCUMENT.

C- THIS PRODUCT EVALUATION DOCUMENT WILL BE CONSIDERED INVALID IF ALTERED BY ANY MEANS.

D- SITE SPECIFIC PROJECTS SHALL BE PREPARED BY A FLORIDA REGISTERED ENGINEER OR ARCHITECT WHICH WILL BECOME THE ENGINEER OF RECORD (E.O.R.) FOR THE PROJECT AND WHO WILL BE RESPONSIBLE FOR THE PROPER USE OF THE P.E.D.

E- THIS P.E.D. SHALL BEAR THE DATE AND ORIGINAL SEAL AND SIGNATURE OF THE PROFESSIONAL ENGINEER OF RECORD THAT PREPARED IT.

FL #18396.2

COVER

DATE	10/30/15
SCALE	AS SHOWN
DRAWN	Bin
PROJECT	15-140
DRAWING NO.	AD15-72
1 OF 14	

NO	DATE	REVISIONS DESCRIPTION

MCY

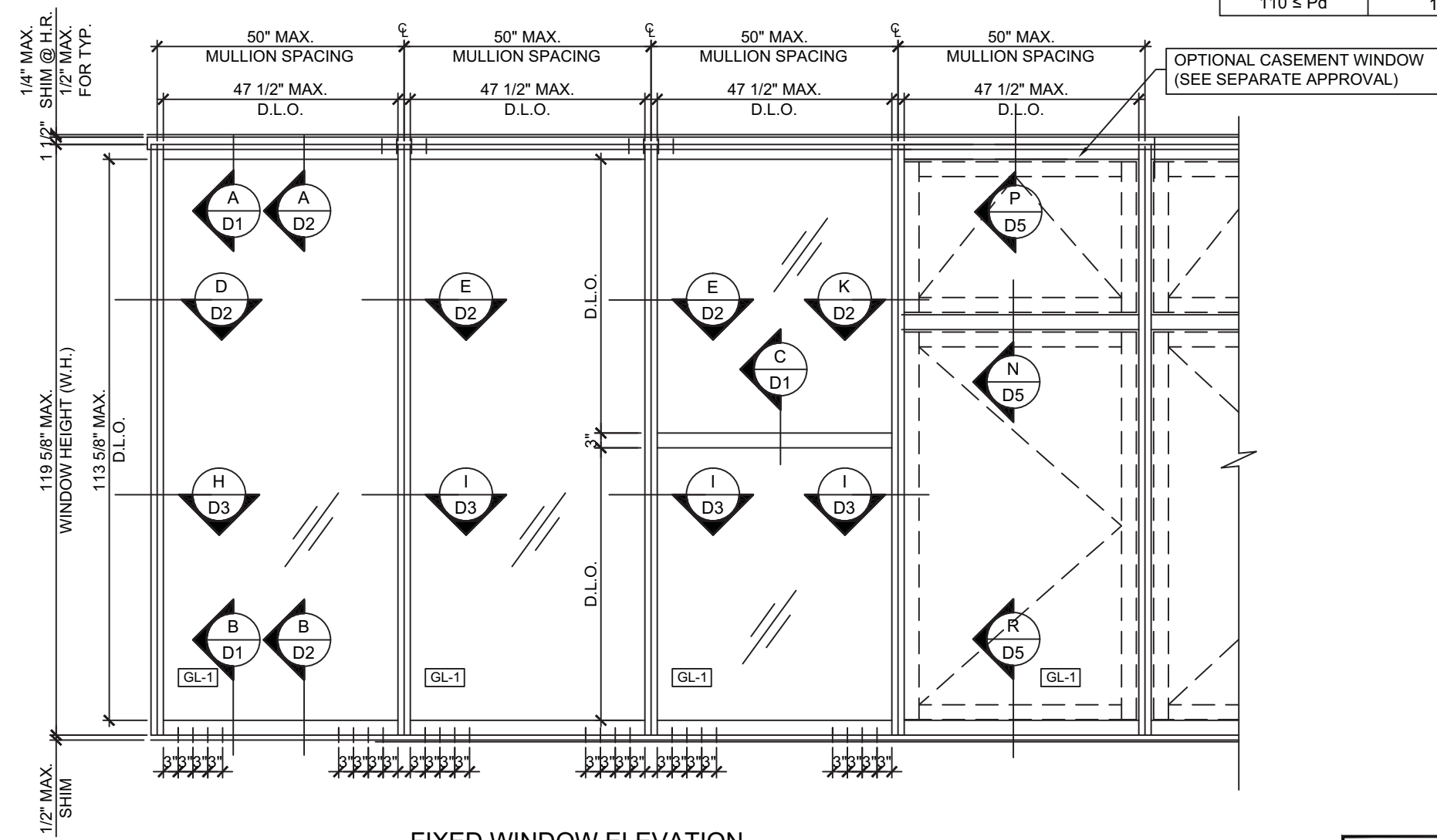
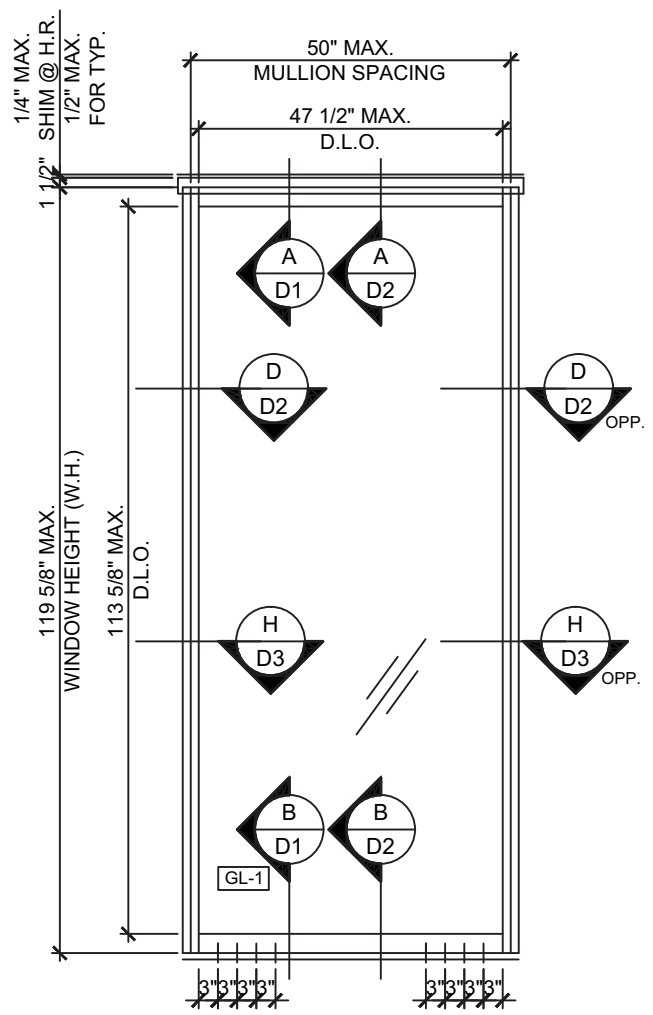
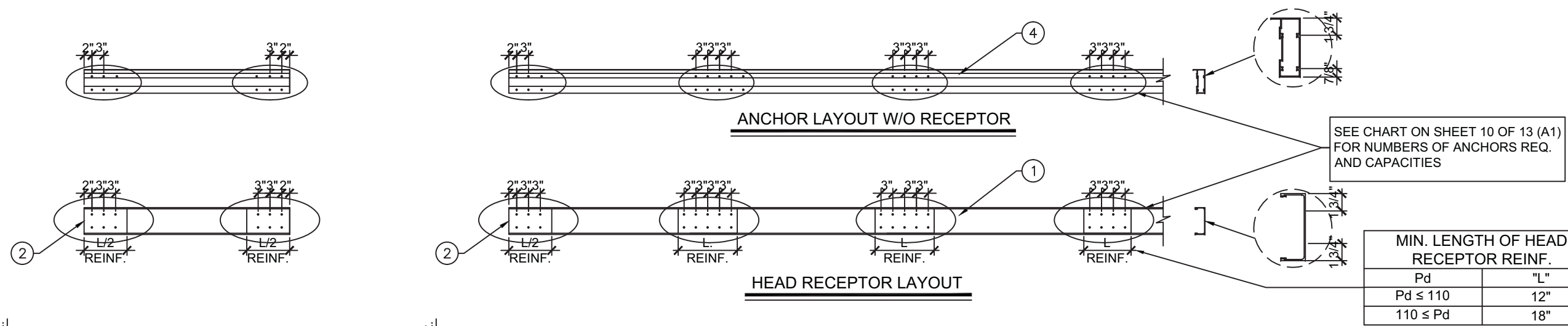
MCY ENGINEERING, INC.
GLAZING CONSULTANTS

8501 SW 124 Ave. Ste. 205A
MIAMI, FL 33183

P: 305.271.0117
F: 305.279.6818

www.MCYEngineering.com
MCY.Engineering@Att.net

SERIES 3000 FIXED WINDOW - SMI
 CONTINENTAL GLASS SYSTEMS, LLC.
 325 WEST 74 PLACE HIALEAH, FL 33014
 TEL (305) 231-1101 FAX (305) 231-1103



FIXED WINDOW ELEVATION
(UNREINFORCED MULLION & JAMB)
EXTERIOR VIEW

SEE CHART ON SHEET E3 FOR SIZES & DESIGN LOADS

FL #18396.2

YIPING WANG
Professional Engineer
FLORIDA
No. 55983
C.A. 88677

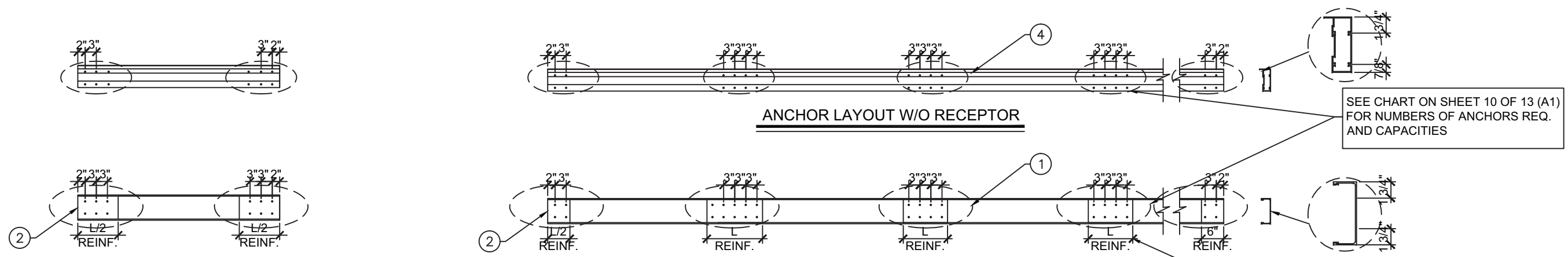
NO.	DATE	DESCRIPTION

MCY ENGINEERING, INC.
GLAZING CONSULTANTS
8501 SW 124 Ave. Ste. 205A
MIAMI, FL 33183
P: 305.271.0117
F: 305.279.6818
www.MCYEngineering.com
MCY.Engineering@Att.net

SERIES 3000 FIXED WINDOW - SMI
CONTINENTAL GLASS SYSTEMS, LLC.
325 WEST 74 PLACE HIALEAH, FL 33014
TEL (305) 231-1101 FAX (305) 231-1103

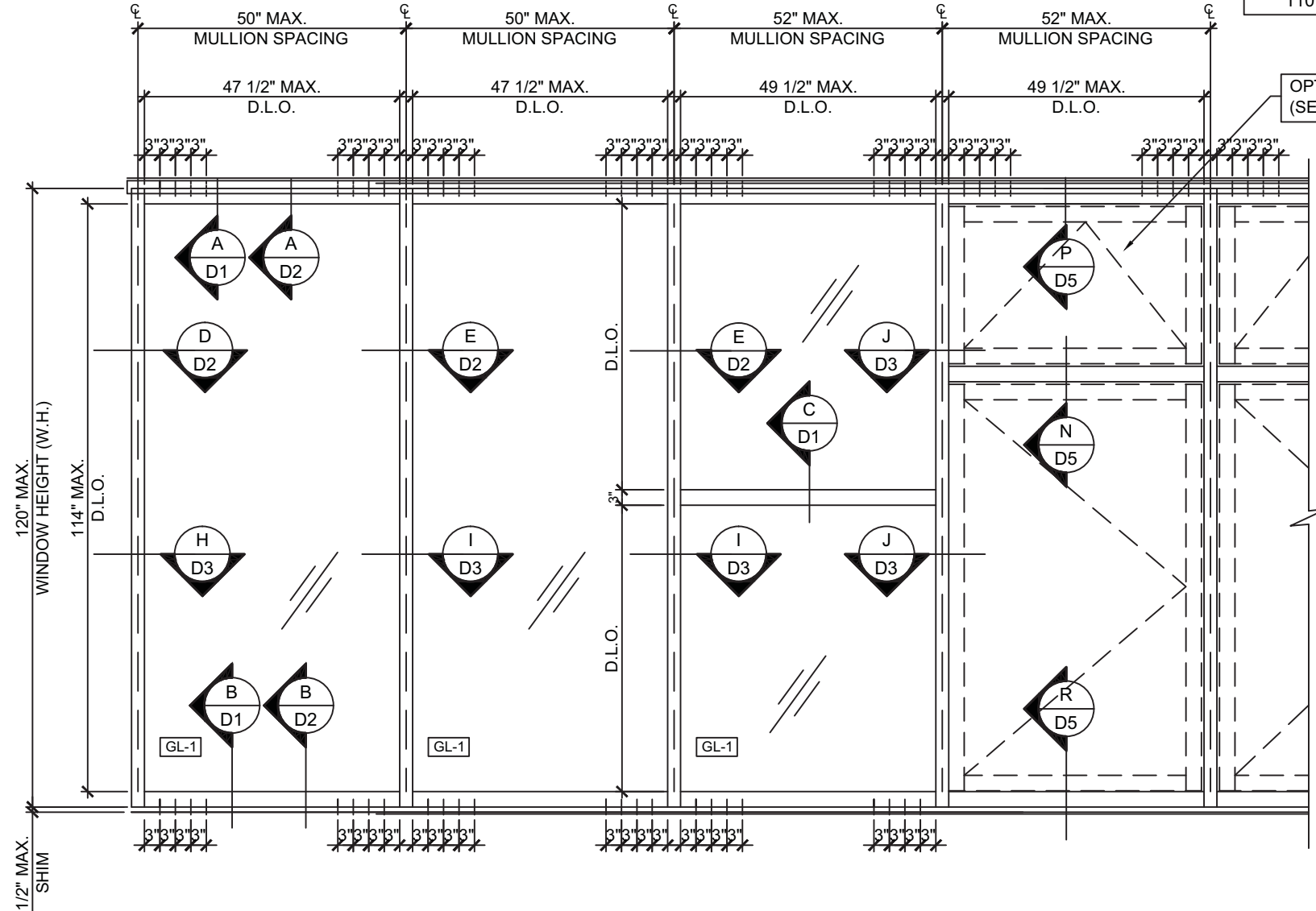
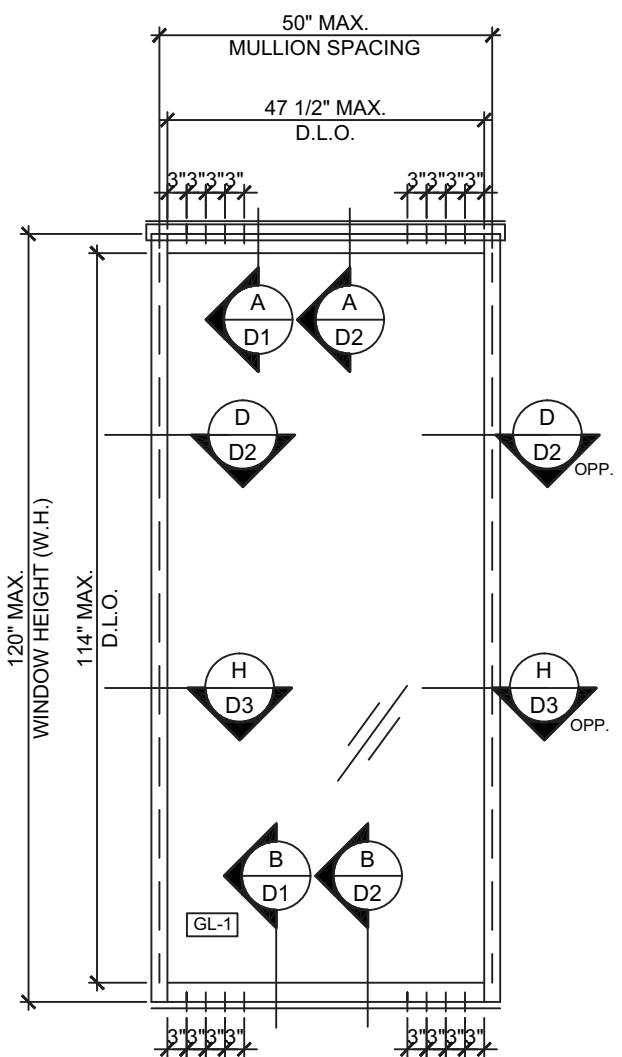
E1	
DATE	10/30/15
SCALE	AS SHOWN
DRAWN	Bin
PROJECT	15-140

DRAWING NO.
AD15-72
2 OF 14



MIN. LENGTH OF HEAD RECEPTOR REINF.

Pd	"L"
Pd ≤ 110	12"
110 ≤ Pd	18"



FIXED WINDOW ELEVATION
(REINFORCED MULLION & JAMB)
EXTERIOR VIEW

SEE CHART ON SHEET E3 FOR SIZES & DESIGN LOADS

FL #18396.2

YIPING WANG
MENG WANG, E.
FLORIDA REGISTRATION
PE #55983
C.A.#559877
No. 459877

STATE OF FLORIDA
PROFESSIONAL ENGINEER

REVISIONS

NO	DATE	DESCRIPTION

MCY ENGINEERING, INC.
GLAZING CONSULTANTS

MCY

8501 SW 124 Ave. Ste. 205A
MIAMI, FL 33183

P: 305.271.0117
F: 305.279.6818

www.MCYEngineering.com
www.MCYEngineering@Att.net

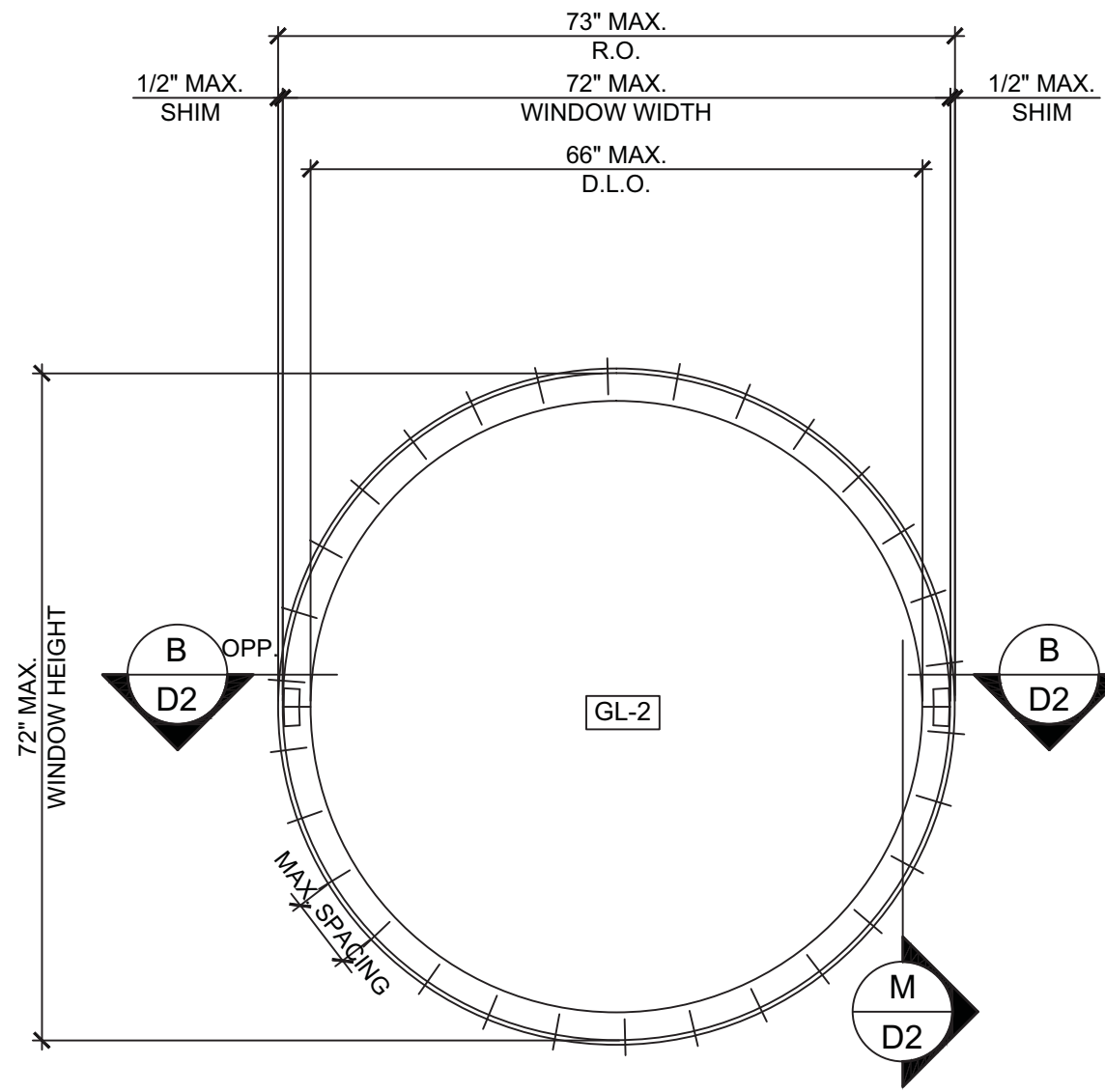
SERIES 3000 FIXED WINDOW - SMI

CONTINENTAL GLASS SYSTEMS, LLC.
325 WEST 74 PLACE HIALEAH, FL 33014
TEL (305) 231-1101 FAX (305) 231-1103

E2

DATE	10/30/15
SCALE	AS SHOWN
DRAWN	Bin
PROJECT	15-140
DRAWING NO.	AD15-72

3 OF 14



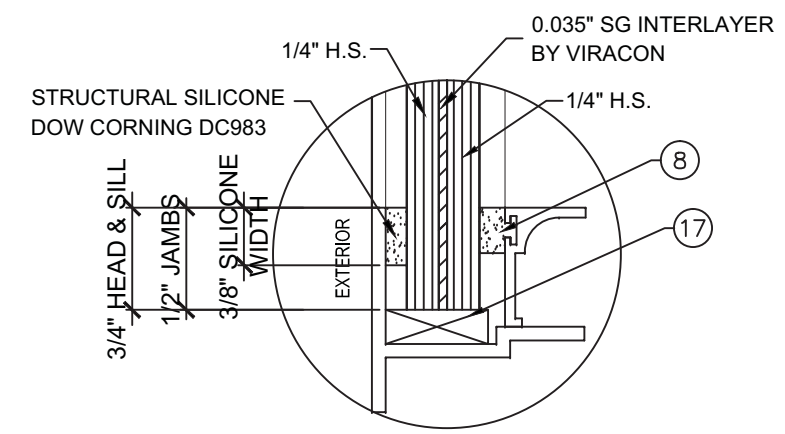
ANCHOR SPACING CHART	
ANCHOR TYPE	W/ 1/2" MAX. SHIM
TYPE 'A1'	13"
TYPE 'A2'	6 1/2"
TYPE 'B1'	13"

**-TYPICAL ANCHORS FOR ARCH WINDOW:
(SEE ELEVATION FOR SPACING)**

- TYPE 'A1' -- 5/16" DIA. ULTRACON BY 'ELCO' (Fu=177 KSI, Fy=155 KSI)
1-3/4" EMBED. DIRECTLY INTO 3 KSI CONCRETE W/
2-3/16" MIN. EDGE DIST.
OR 1-3/4" EMBED. INTO GROUT FILLED BLOCK W/
2-1/2" MIN. EDGE DIST.
- TYPE 'A2' -- 5/16" DIA. ULTRACON BY 'ELCO' (Fu=177 KSI, Fy=155 KSI)
1-1/4" EMBED. INTO HOLLOW BLOCK
3/8" MIN. EDGE DIST.
- TYPE 'B1' -- 5/16" DIA. TEKS SELF-DRILLING SCREWS (GRADE 5 CRS)
INTO 1/8" MIN. THK. METAL (6063-T5 MIN.)

ARCH. WINDOW			
MAXIMUM D.L.O. SIZE	MAXIMUM WINDOW SIZE	DESIGN LOAD CAPACITY (PSF)	
		POSITIVE	NEGATIVE
66"	72"	160	160

ARCH. WINDOW ELEVATION
EXTERIOR VIEW



GLASS TYPE : GL-2
9/16" LAMINATED GLASS
MAX. D.L.O AREA=47.5 INx114 IN=37.6 FT²

FL #18396.2

YIPING WANG
YIPING WANG, P.E.
LICENSED PROFESSIONAL ENGINEER
FLORIDA REGISTRATION
PE #55983
C.A.# 85987

REVISIONS	
NO	DATE

MCY ENGINEERING, INC.
GLAZING CONSULTANTS

MCY

8501 SW 124 Ave. Ste. 205A
MIAMI, FL 33183

P: 305.271.0117
F: 305.279.6818

www.MCYEngineering.com
MCY.Engineering@Att.net

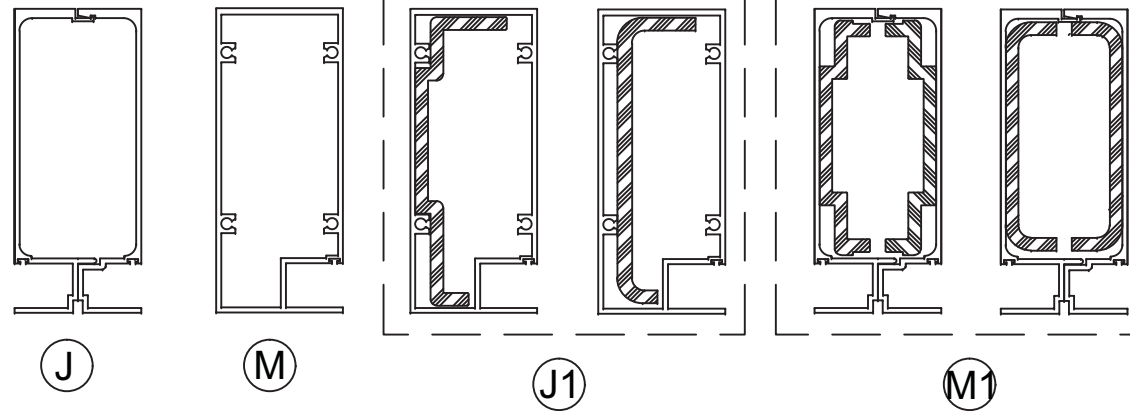
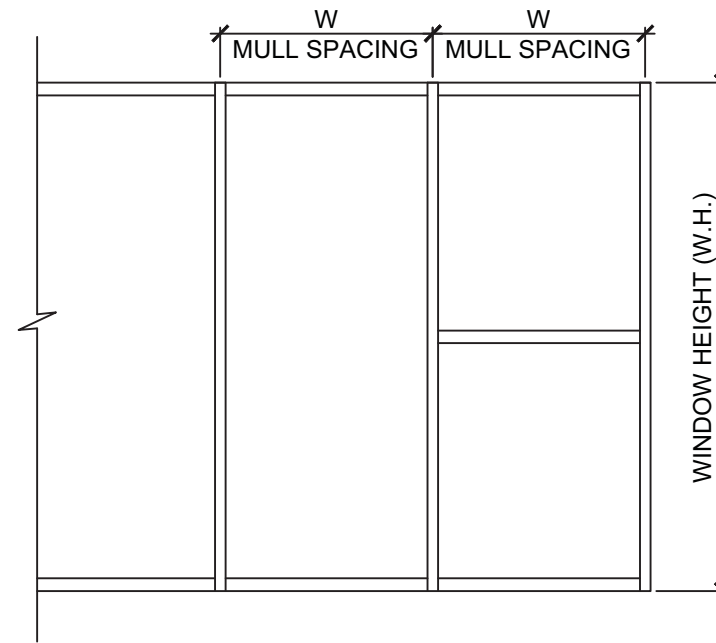
SERIES 3000 FIXED WINDOW - SMI

CONTINENTAL GLASS SYSTEMS, LLC.
325 WEST 74 PLACE HIALEAH, FL 33014
TEL (305) 231-1101 FAX (305) 231-1103

E4	
DATE	10/30/15
SCALE	AS SHOWN
DRAWN	Bin
PROJECT	15-140
DRAWING NO. AD15-72	
5 OF 14	

MULLION/JAMB CAPACITIES

WINDOW PANEL		UNREINFORCED		REINFORCED	
MULLION WIDTH (IN.)	WINDOW HEIGHT (IN.)	(M)	(J)	(M1)	(J1)
		(+/-) PSF	(+/-) PSF	(+/-) PSF	(+/-) PSF
36	90	110.0	110.0	140.0	140.0
42		110.0	110.0	140.0	140.0
48		110.0	110.0	140.0	140.0
54		110.0	110.0	140.0	140.0
36	96	5.0	110.0	140.0	140.0
42		110.0	110.0	140.0	140.0
48		110.0	110.0	140.0	140.0
54		110.0	110.0	140.0	140.0
36	102	110.0	110.0	140.0	140.0
42		110.0	110.0	140.0	140.0
48		110.0	110.0	140.0	140.0
54		110.0	110.0	140.0	140.0
36	108	110.0	110.0	140.0	140.0
42		110.0	110.0	140.0	140.0
48		110.0	110.0	140.0	140.0
54		98.9	110.0	140.0	140.0
36	114	110.0	110.0	140.0	140.0
42		107.0	110.0	140.0	140.0
48		93.6	110.0	140.0	140.0
52		86.4	110.0	138.3	140.0
54		-	-	133.2	140.0
36	119.6	103.8	110.0	140.0	140.0
42		88.9	110.0	140.0	140.0
48		77.8	110.0	124.6	140.0
52		74.7	110.0	119.6	140.0
54		-	-	115.0	140.0
36	120	102.9	110.0	140.0	140.0
42		88.2	110.0	140.0	140.0
48		77.2	110.0	123.8	140.0
50		74.1	110.0	118.8	140.0
52		-	-	114.2	140.0



REVISIONS	DESCRIPTION
NO. DATE	

MCY ENGINEERING, INC.
 GLAZING CONSULTANTS
 8501 SW 124 Ave. Ste. 205A
 MIAMI, FL 33183
 P: 305.271.0117
 F: 305.279.6818
 www.MCYEngineering.com
 MCY.Engineering@Att.net

SERIES 3000 FIXED WINDOW - SMI
 CONTINENTAL GLASS SYSTEMS, LLC.
 325 WEST 74 PLACE HIALEAH, FL 33014
 TEL (305) 231-1101 FAX (305) 231-1103

FL #18396.2

 YIPING WANG, P.E.
 FLORIDA REGISTRATION
 PE #55983
 C.A.# 859877

E3	
DATE	10/30/15
SCALE	AS SHOWN
DRAWN	Bin
PROJECT	15-140
DRAWING NO. AD15-72	
5 OF 14	

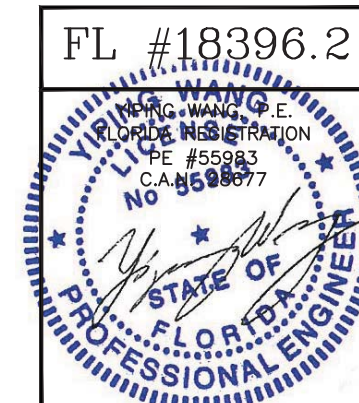
ANCHOR LOAD CAPACITY (W/O HEAD RECEPTOR)				
WINDOW PANEL		HEAD/SILL ANCHORS		
WIDTH (IN.)	HEIGHT (IN.)	A8	A10	B8
		(+/-) PSF	(+/-) PSF	(+/-) PSF
42	90	140.0	140.0	140.0
48		140.0	140.0	140.0
54		140.0	140.0	140.0
42	96	140.0	140.0	140.0
48		140.0	140.0	140.0
54		140.0	140.0	140.0
42	102	140.0	140.0	140.0
48		140.0	140.0	140.0
54		140.0	140.0	140.0
42	108	140.0	140.0	140.0
48		140.0	140.0	140.0
54		140.0	140.0	140.0
42	114	140.0	140.0	140.0
48		140.0	140.0	140.0
52		140.0	140.0	140.0
54		138.5	140.0	140.0
42	120	140.0	140.0	140.0
48		140.0	140.0	140.0
50		140.0	140.0	140.0
52		136.6	140.0	138.5

A8 - (8) OF ANCHOR TYPE 'A' AT MULLION ENDS, (4) AT JAMB
A10 - (10) OF ANCHOR TYPE 'A' AT MULLION ENDS, (5) AT JAMB
B8 - (8) OF ANCHOR TYPE 'B' AT MULLION ENDS, (4) AT JAMB

ANCHOR LOAD CAPACITY (W/ HEAD RECEPTOR)						
WINDOW PANEL		HEAD/SILL ANCHORS (IN PAIRS)				
WIDTH (IN.)	HEIGHT (IN.)	A4	A5	A6	A7	B4
		(+/-) PSF	(+/-) PSF	(+/-) PSF	(+/-) PSF	(+/-) PSF
42	90	140.0	140.0	140.0	140.0	140.0
48		126.7	140.0	140.0	140.0	140.0
54		112.6	140.0	140.0	140.0	140.0
42	96	135.7	140.0	140.0	140.0	140.0
48		118.8	140.0	140.0	140.0	140.0
54		105.6	131.9	140.0	140.0	140.0
42	102	127.7	140.0	140.0	140.0	140.0
48		111.8	139.7	140.0	140.0	140.0
54		99.4	124.2	140.0	140.0	140.0
42	108	120.6	140.0	140.0	140.0	140.0
48		105.6	131.9	140.0	140.0	140.0
54		93.8	117.3	140.0	140.0	140.0
42	114	114.3	140.0	140.0	140.0	140.0
48		100.0	125.0	140.0	140.0	140.0
52		92.3	115.4	138.5	140.0	140.0
54		88.9	111.1	133.3	140.0	140.0
42	120	108.6	135.7	140.0	140.0	140.0
48		95.0	118.8	140.0	140.0	140.0
50		91.2	114.0	136.8	140.0	140.0
52		87.7	109.6	131.5	140.0	140.0

A4 - (4) PAIRS OF ANCHOR TYPE 'A' AT MULLION END, (2) PAIRS AT JAMB
A5 - (5) PAIRS OF ANCHOR TYPE 'A' AT MULLION ENDS, (3) PAIRS AT JAMB
A6 - (6) PAIRS OF ANCHOR TYPE 'A' AT MULLION ENDS, (3) PAIRS AT JAMB
A7 - (7) PAIRS OF ANCHOR TYPE 'A' AT MULLION ENDS, (4) PAIRS AT JAMB
B4 - (4) PAIRS OF ANCHOR TYPE 'B' AT MULLION ENDS, (2) PAIRS AT JAMB

SEE SHEET 1 FOR ANCHOR TYPES



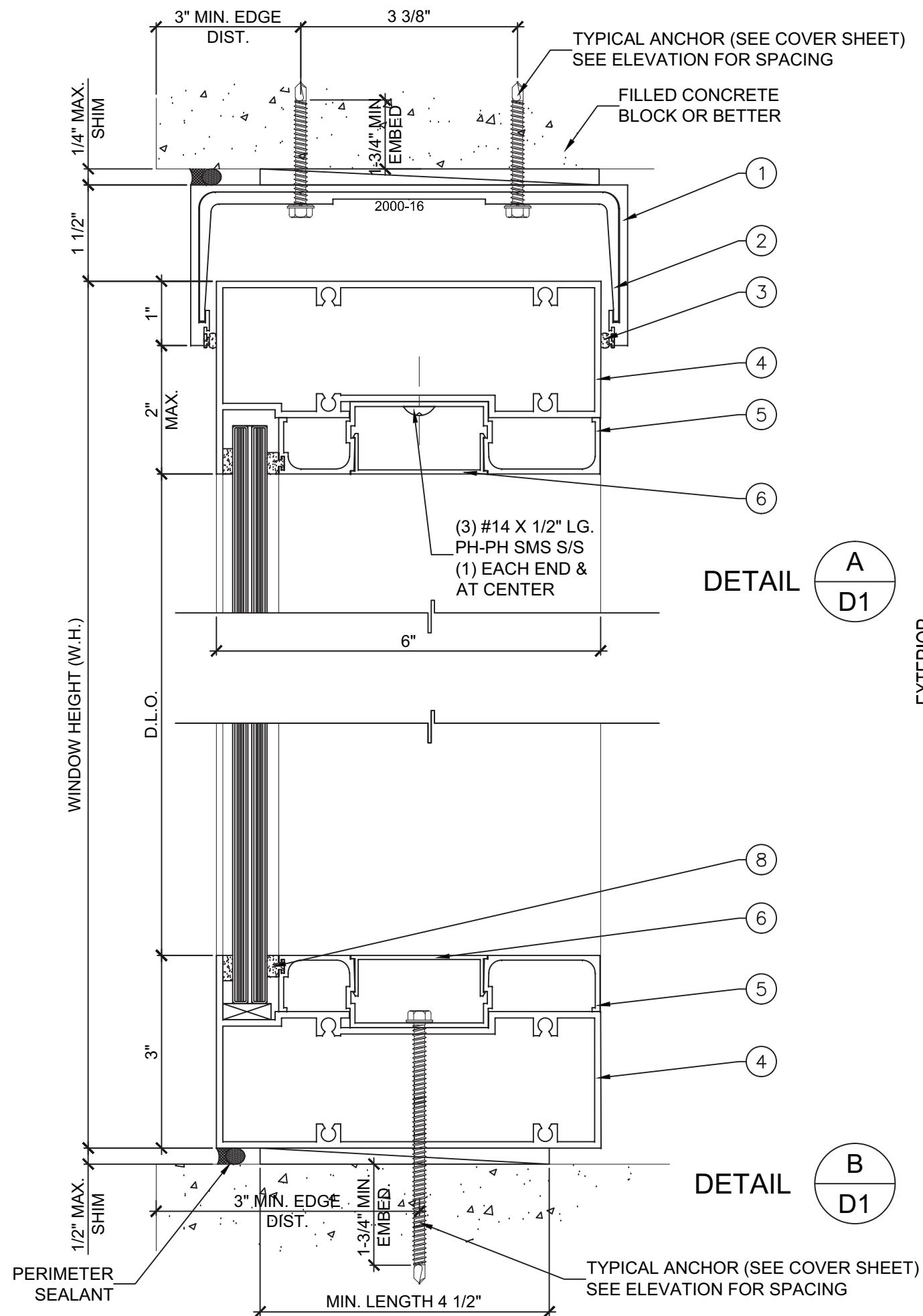
NO	DATE	DESCRIPTION

MCY ENGINEERING, INC.
GLAZING CONSULTANTS
8501 SW 124 Ave. Ste. 205A
MIAMI, FL 33183
P: 305.271.0117
F: 305.279.6818
www.MCYEngineering.com
MCY.Engineering@Att.net

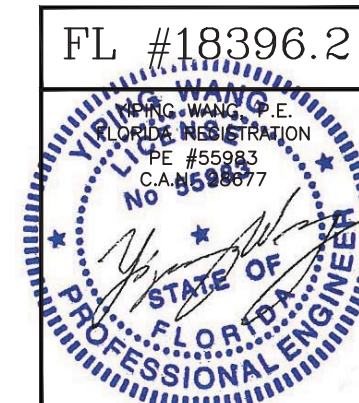
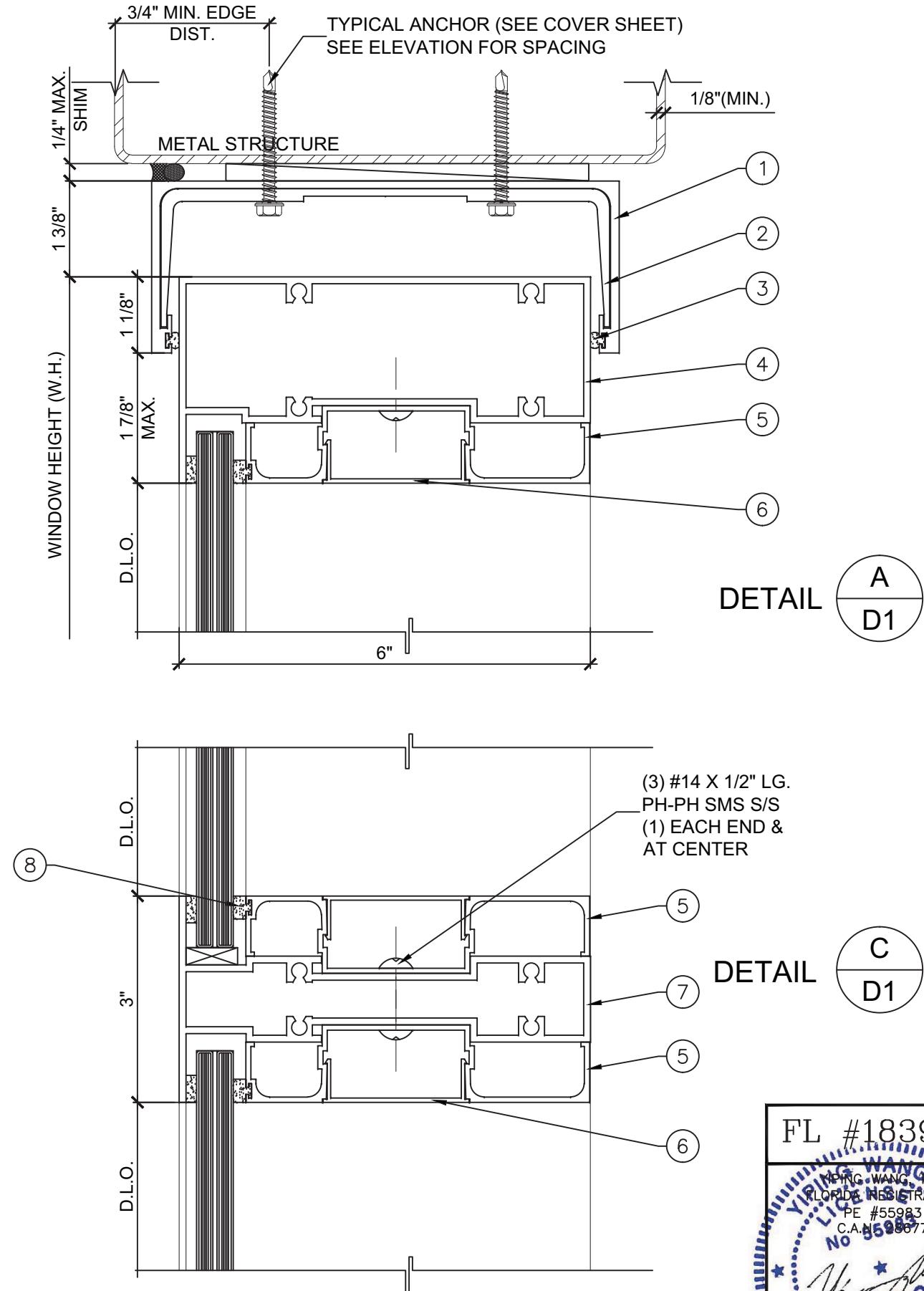
SERIES 3000 FIXED WINDOW - SMI
CONTINENTAL GLASS SYSTEMS, LLC.
325 WEST 74 PLACE HIALEAH, FL 33014
TEL (305) 231-1101 FAX (305) 231-1103

A1	
DATE	10/30/15
SCALE	AS SHOWN
DRAWN	Bin
PROJECT	15-140
DRAWING NO. AD15-72	
6 OF 14	

EXTERIOR



EXTERIOR

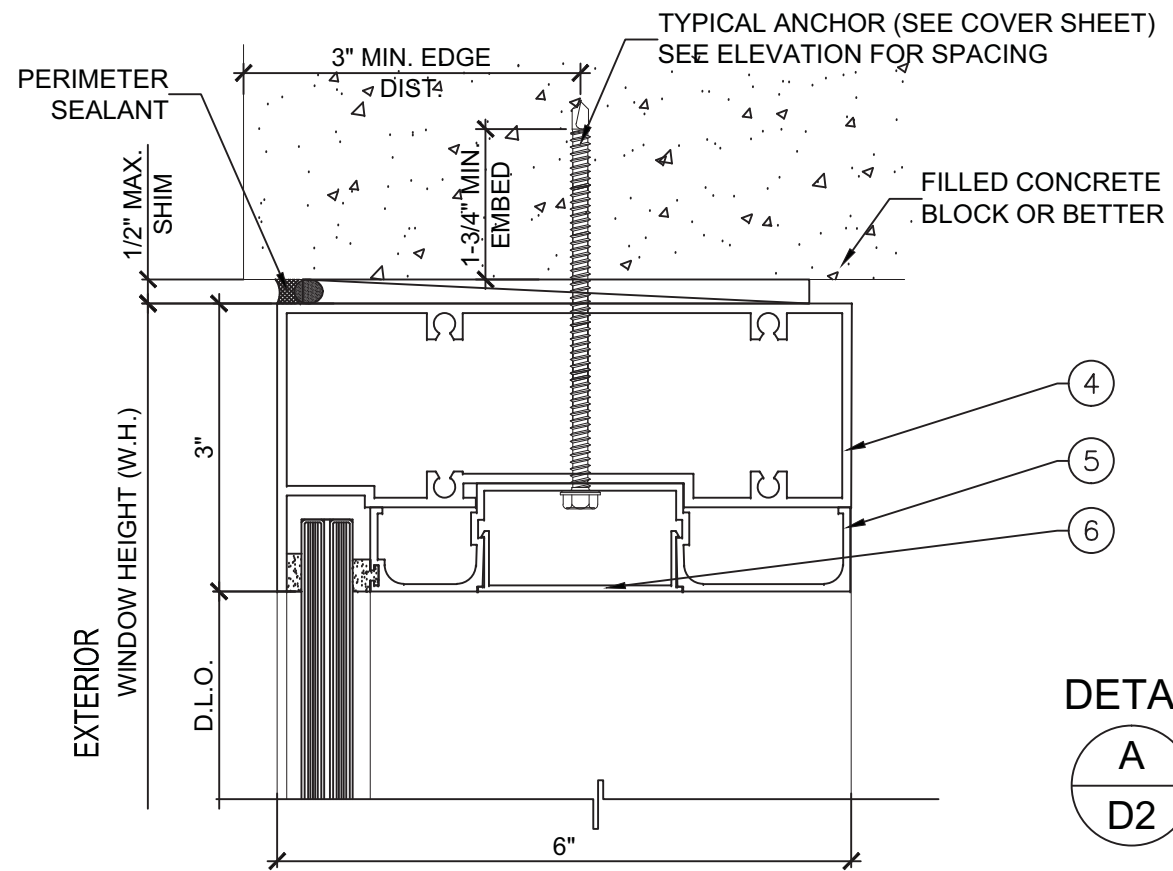


NO	DATE	DESCRIPTION

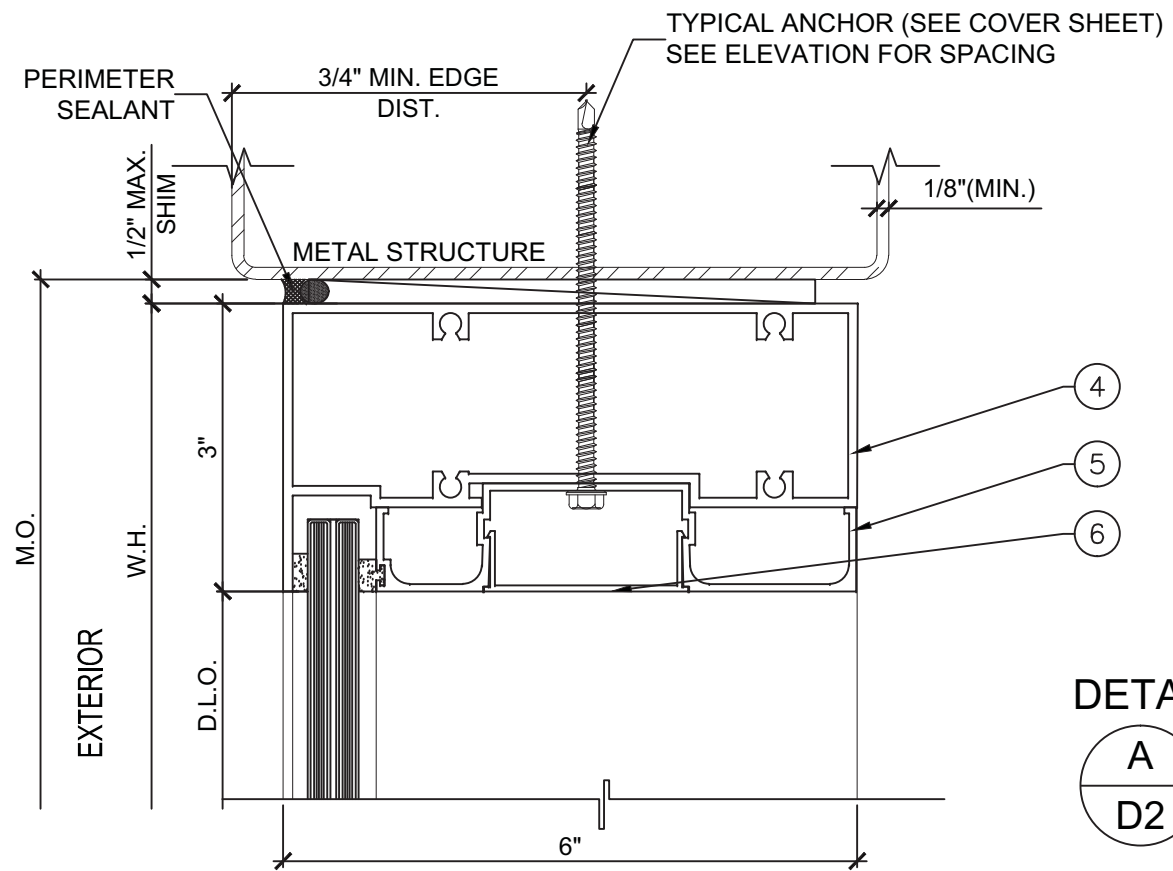
MCY ENGINEERING, INC.
 GLAZING CONSULTANTS
 8501 SW 124 Ave. Ste. 205A
 MIAMI, FL 33183
 P: 305.271.0117
 F: 305.279.6818
 www.MCYEngineering.com
 MCY.Engineering@Att.net

SERIES 3000 FIXED WINDOW - SMI
CONTINENTAL GLASS SYSTEMS, LLC.
 325 WEST 74 PLACE HIALEAH, FL 33014
 TEL (305) 231-1101 FAX (305) 231-1103

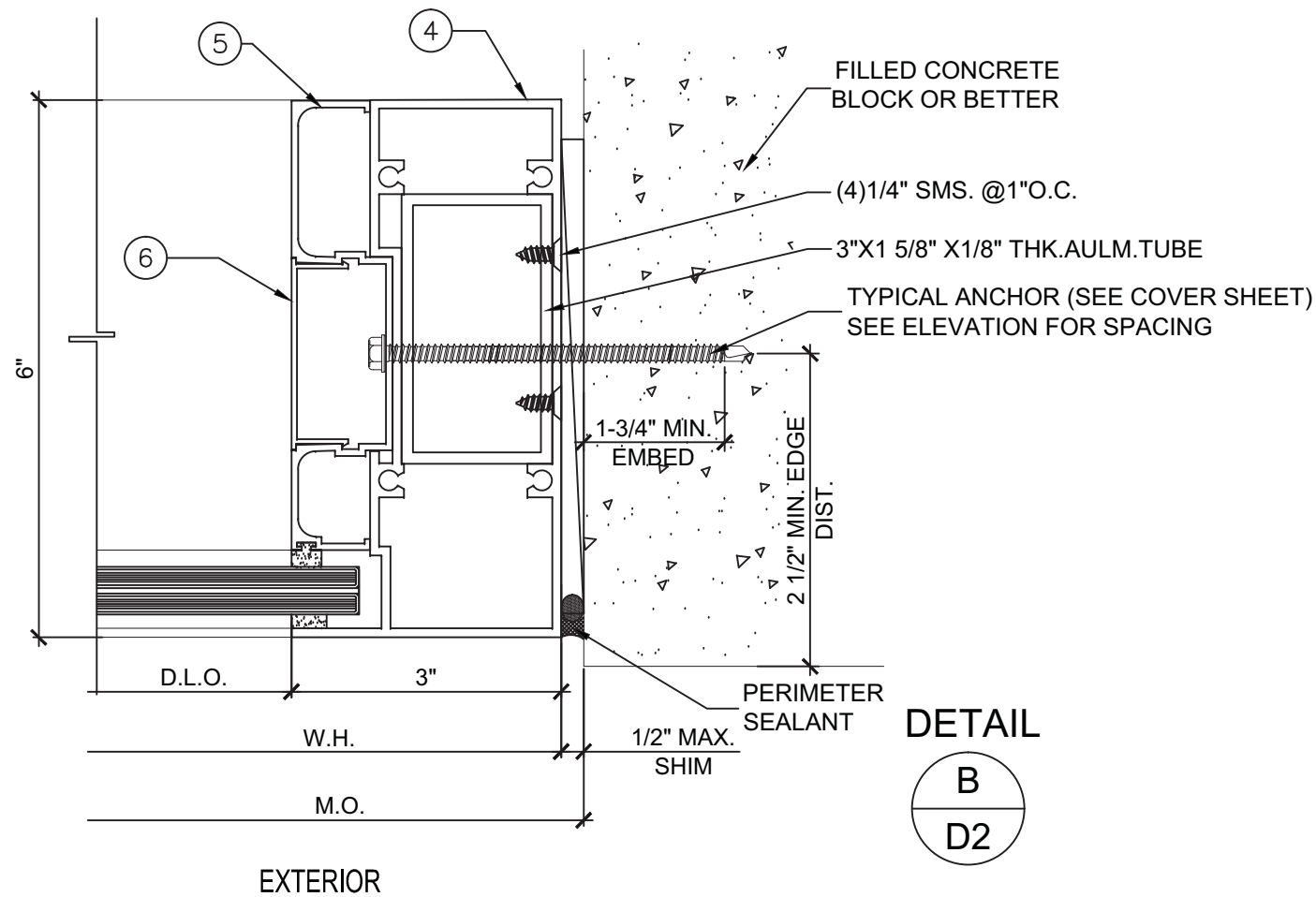
D1	
DATE	10/30/15
SCALE	AS SHOWN
DRAWN	Bin
PROJECT	15-140
DRAWING NO. AD15-72	
7 OF 14	



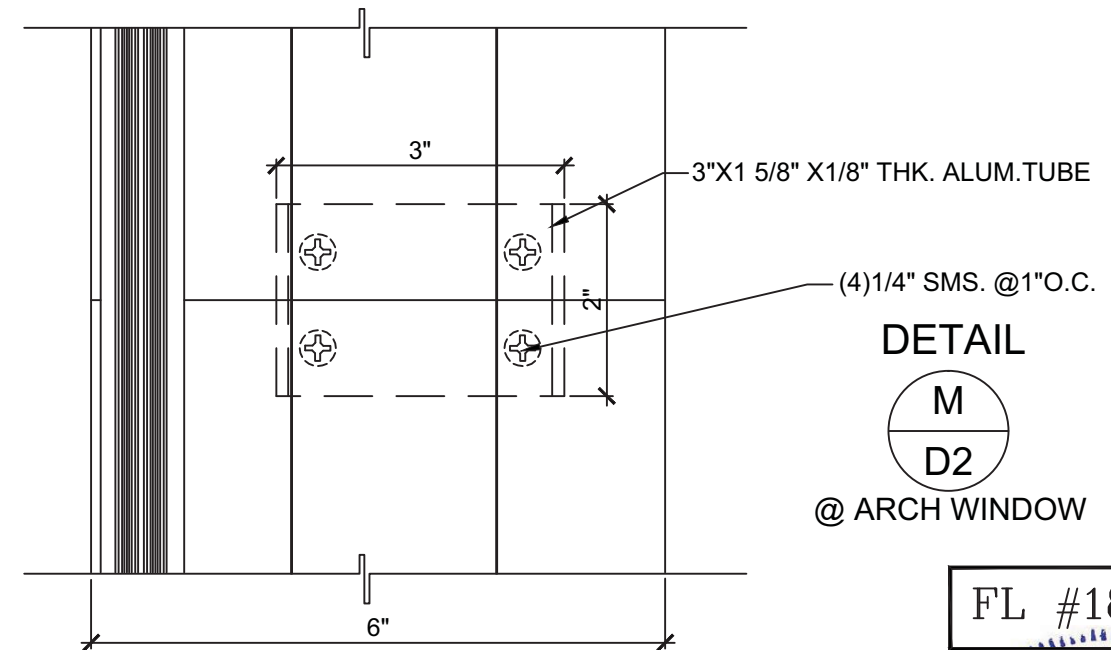
DETAIL
A
D2



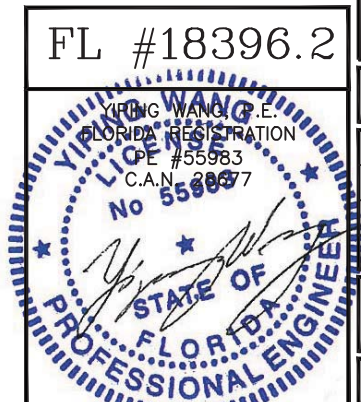
DETAIL
A
D2



DETAIL
B
D2



DETAIL
M
D2
@ ARCH WINDOW

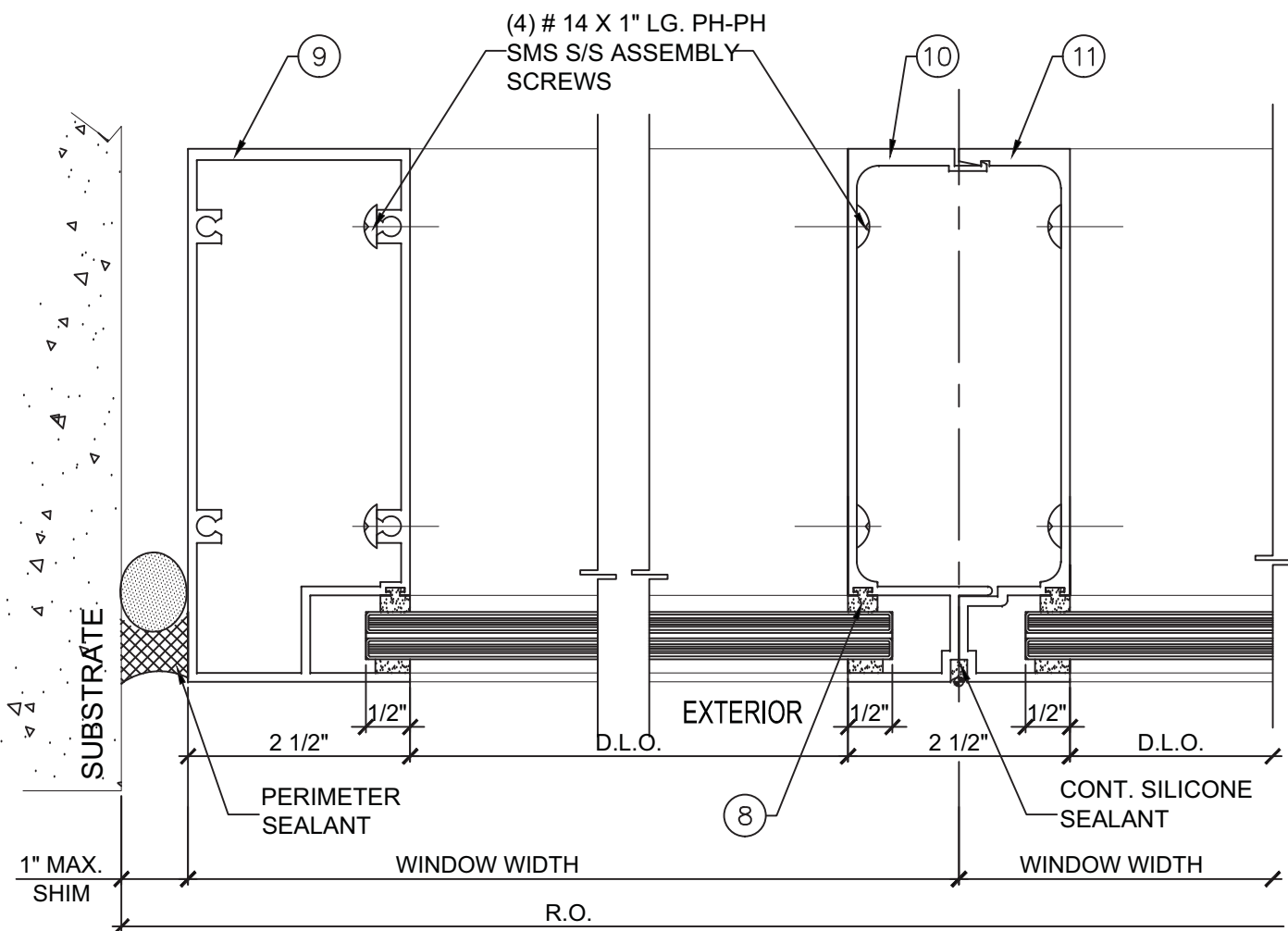


REVISIONS	NO.	DATE	DESCRIPTION

MCY ENGINEERING, INC.
GLAZING CONSULTANTS
8501 SW 124 Ave. Ste. 205A
MIAMI, FL 33183
P: 305.271.0117
F: 305.279.6818
www.MCYEngineering.com
MCY.Engineering@Att.net

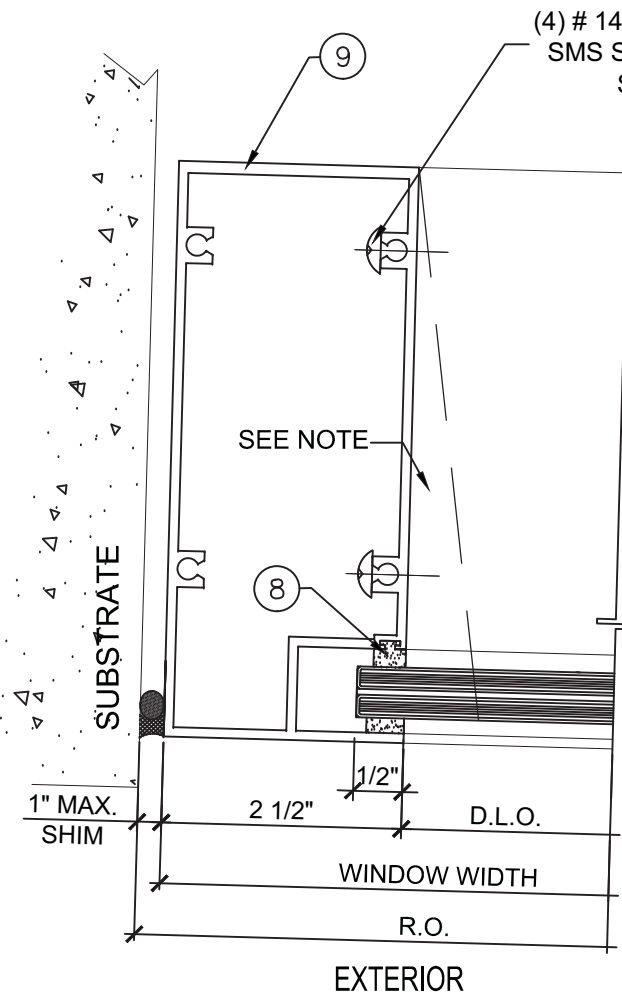
SERIES 3000 FIXED WINDOW - SMI
CONTINENTAL GLASS SYSTEMS, LLC.
325 WEST 74 PLACE HIALEAH, FL 33014
TEL (305) 231-1101 FAX (305) 231-1103

DATE	10/30/15
SCALE	AS SHOWN
DRAWN	Bin
PROJECT	15-140
DRAWING NO.	AD15-72
	8 OF 14

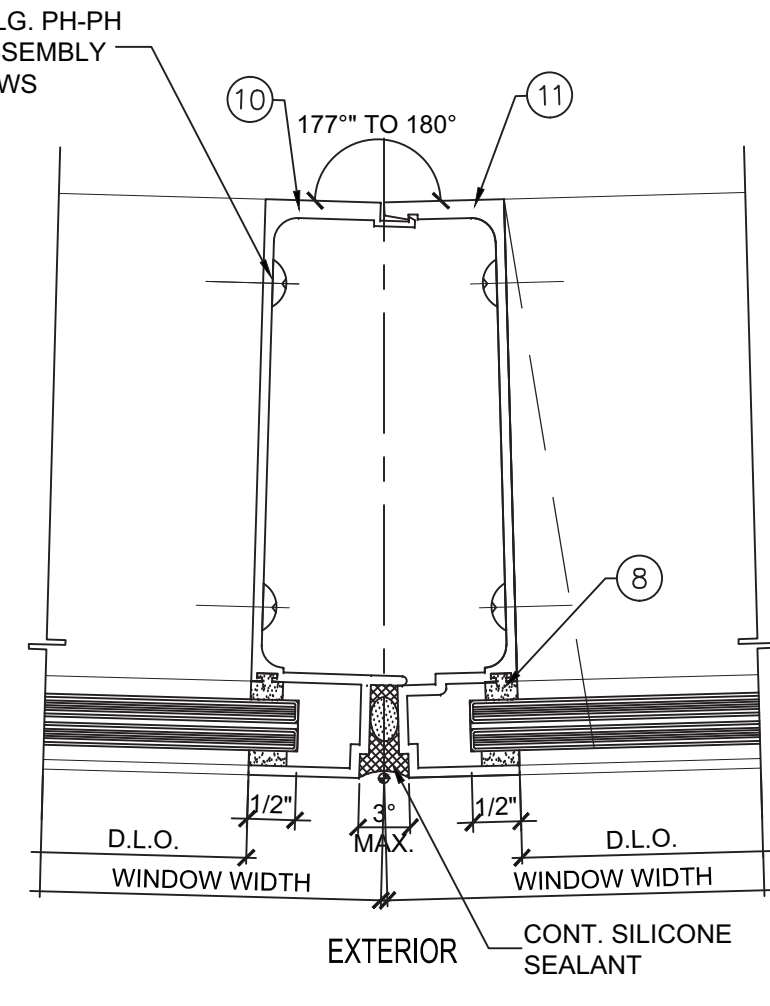


DETAIL $\frac{D}{D3}$

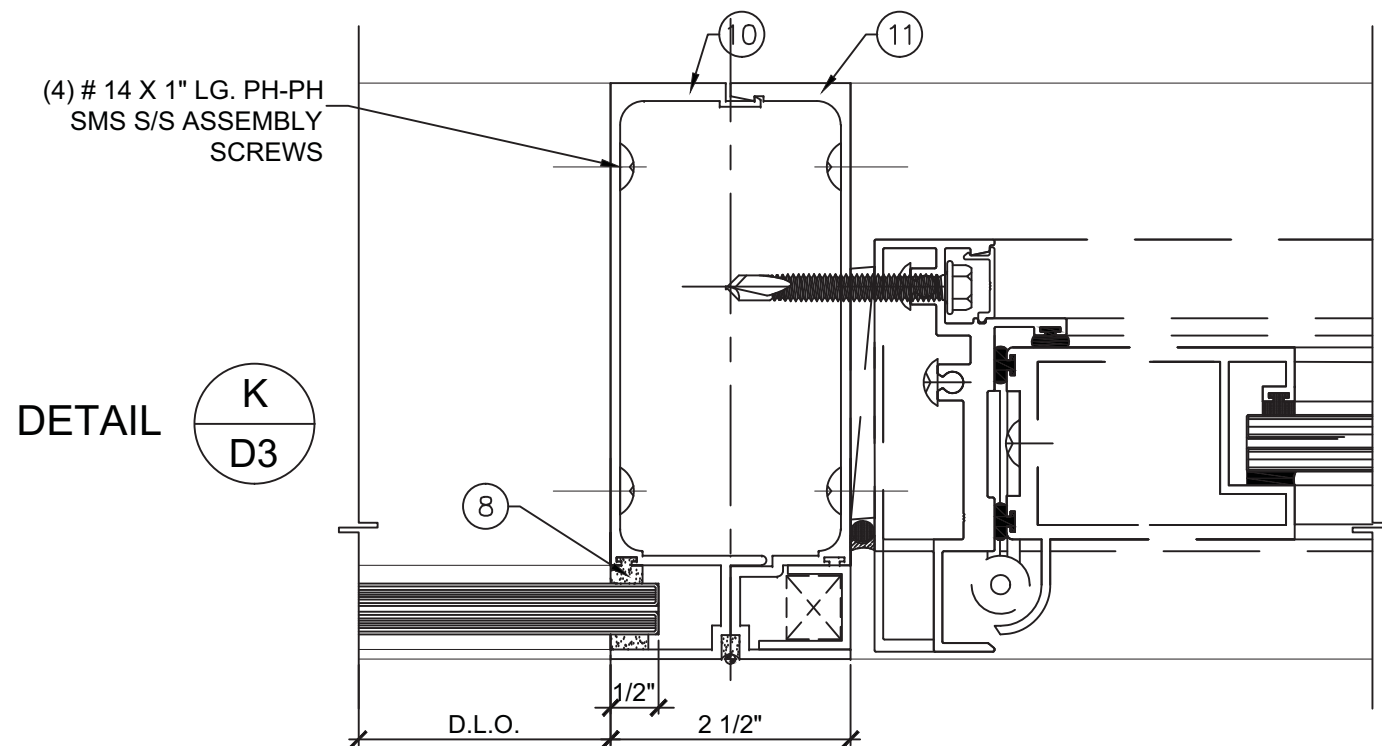
DETAIL $\frac{E}{D3}$



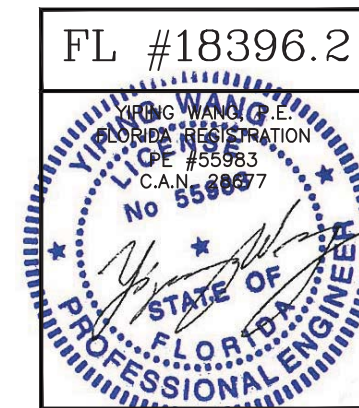
DETAIL $\frac{H}{D3}$



DETAIL $\frac{I}{D3}$



DETAIL $\frac{K}{D3}$

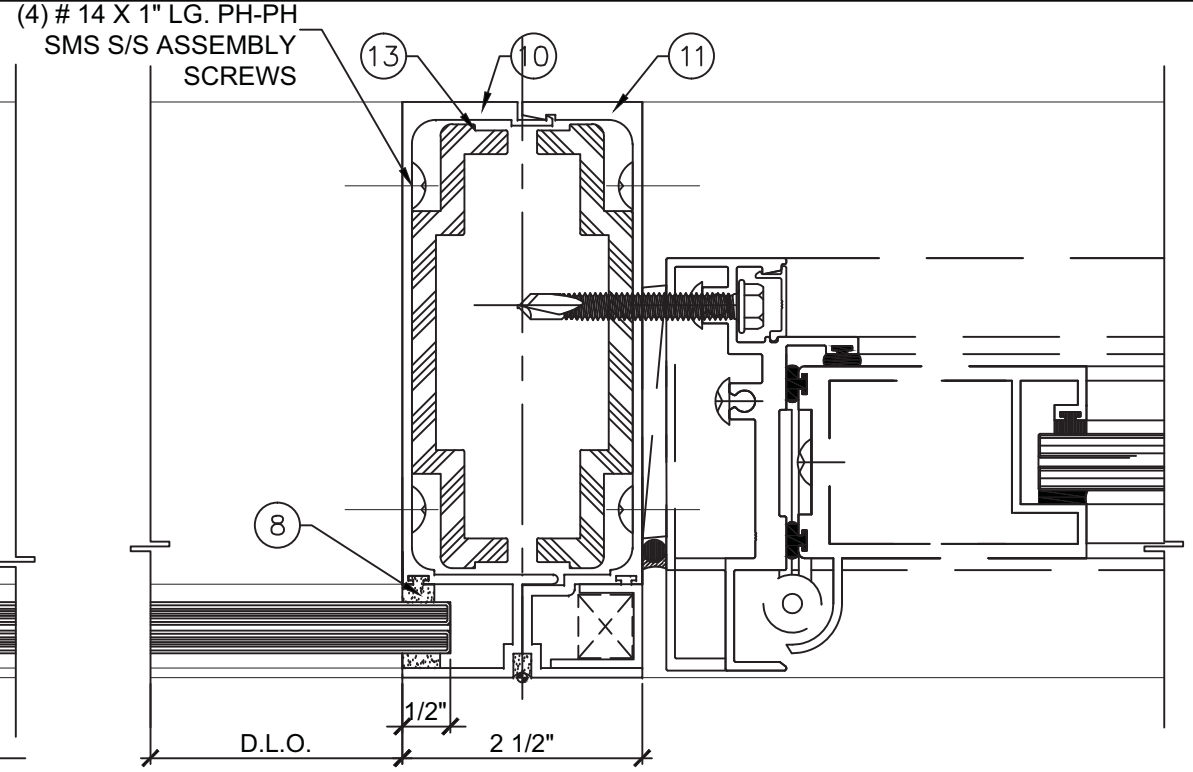
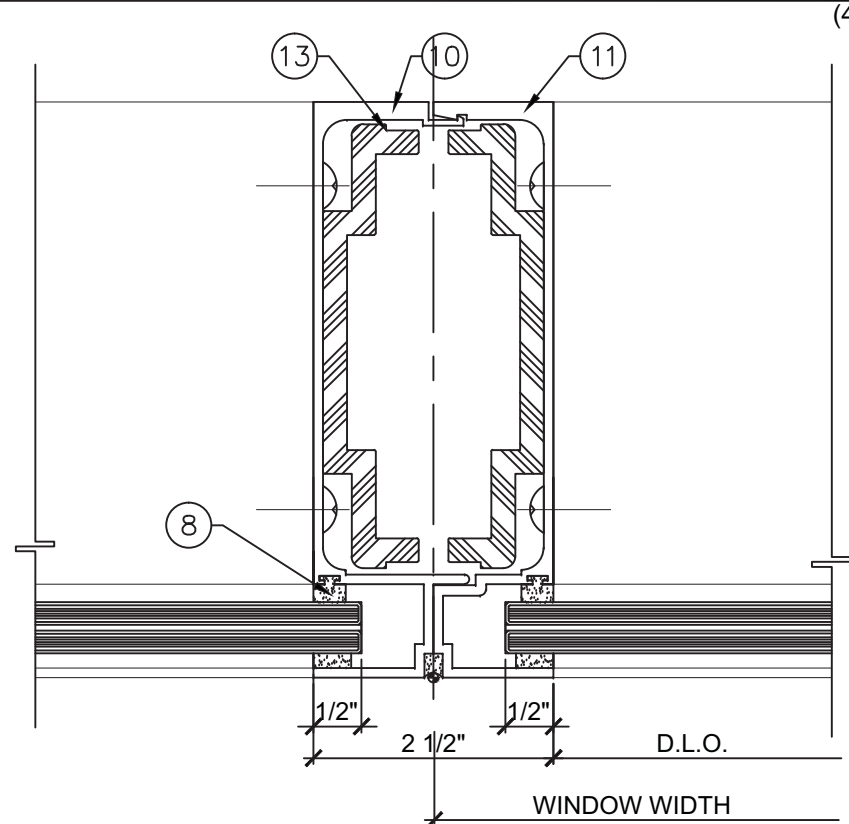
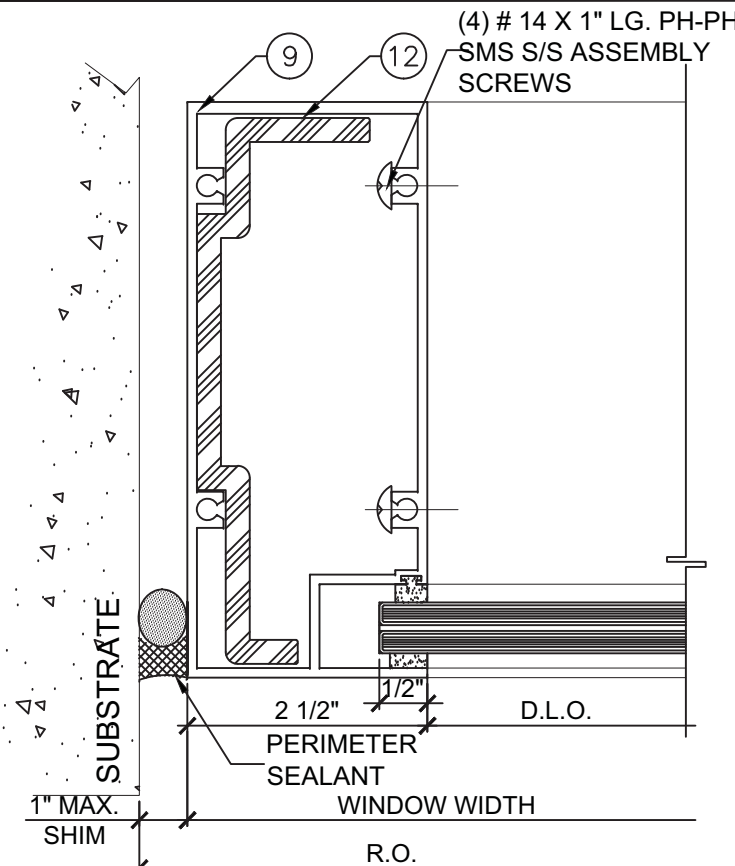


REVISIONS	NO	DATE	DESCRIPTION

MCY ENGINEERING, INC.
GLAZING CONSULTANTS
6501 SW 124 Ave. Ste. 205A
MIAMI, FL 33183
P: 305.271.0117
F: 305.279.6818
www.MCYEngineering.com
MCY.Engineering@Att.net

SERIES 3000 FIXED WINDOW - SMI
CONTINENTAL GLASS SYSTEMS, LLC.
325 WEST 74 PLACE HIALEAH, FL 33014
TEL (305) 231-1101 FAX (305) 231-1103

D3	
DATE	10/30/15
SCALE	AS SHOWN
DRAWN	Bin
PROJECT	15-140
DRAWING NO. AD15-72	
9 OF 14	

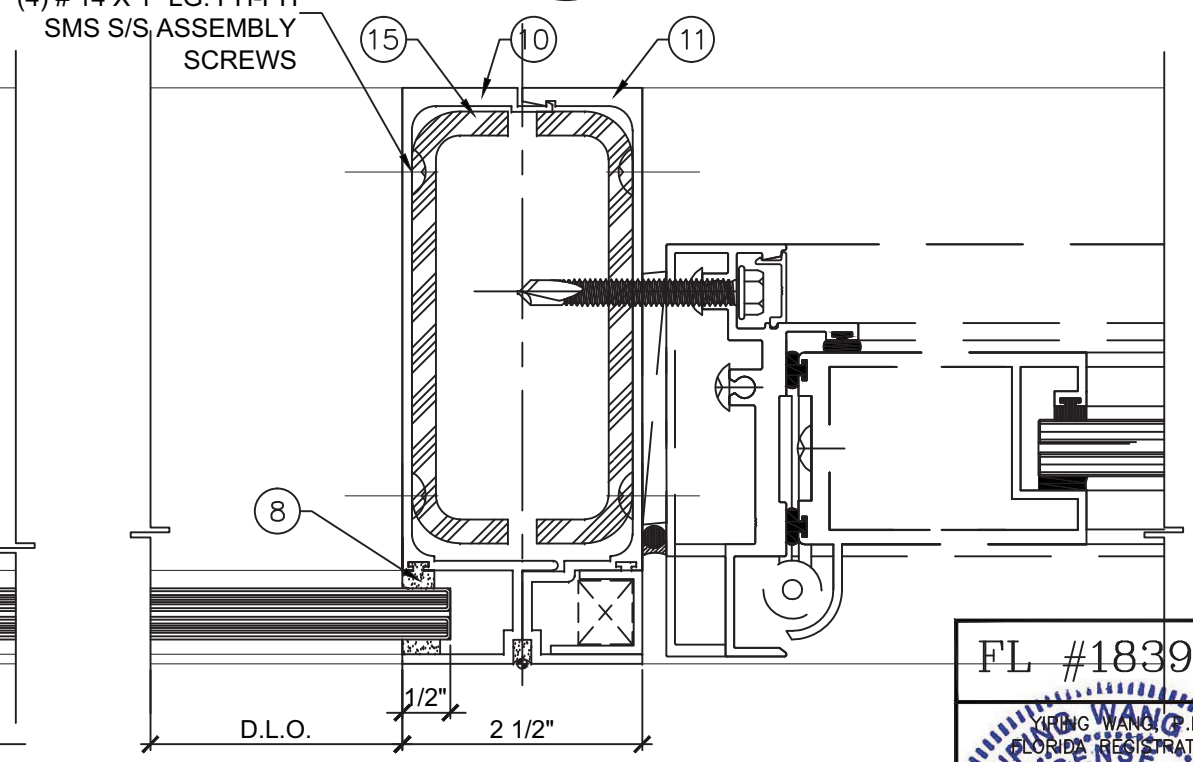
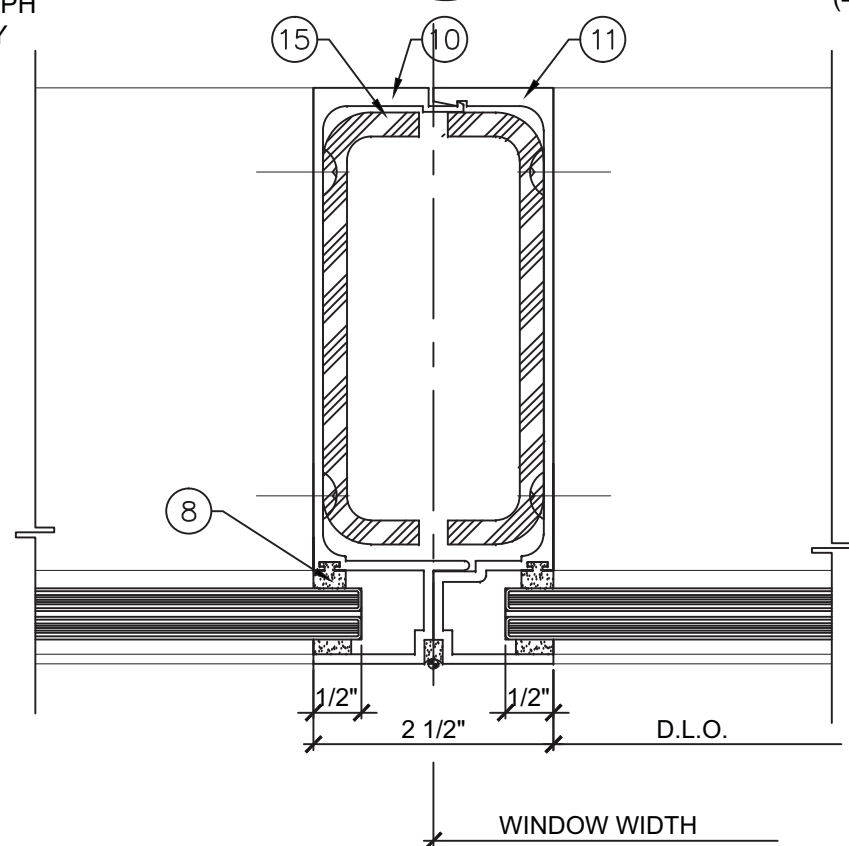
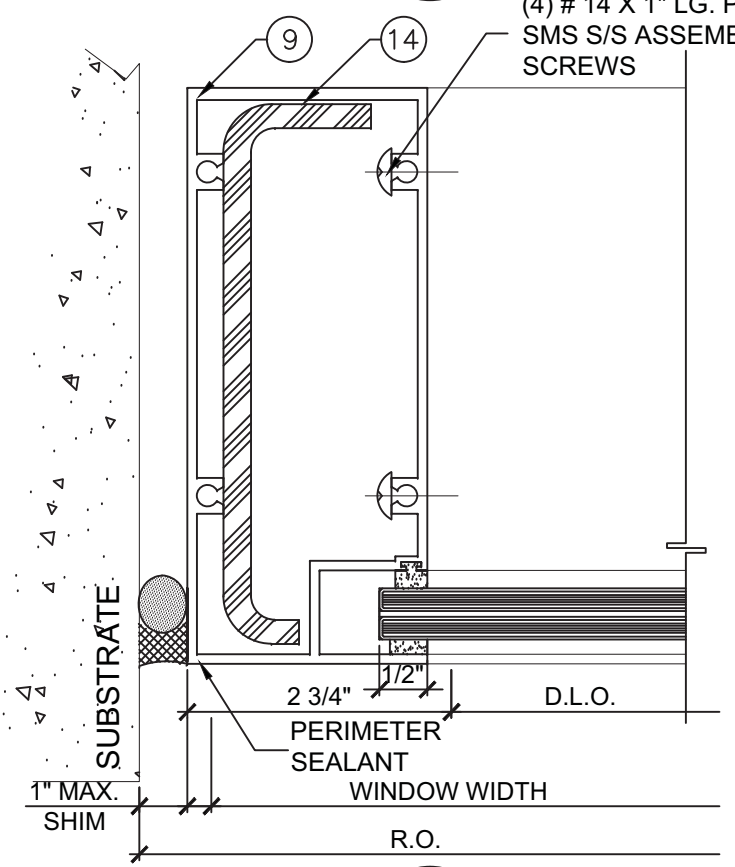


DETAIL $\frac{G}{D4}$

DETAIL $\frac{F}{D4}$

DETAIL $\frac{J}{D4}$

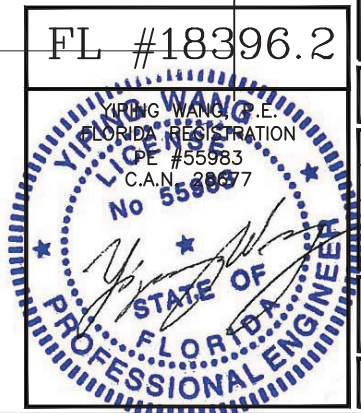
NOTE:
THE HEAD, SILL & INTERMEDIATE MEMBERS MITER UP TO 8°



DETAIL $\frac{G}{D4}$ OPTION

DETAIL $\frac{F}{D4}$ OPTION

DETAIL $\frac{J}{D4}$ OPTION

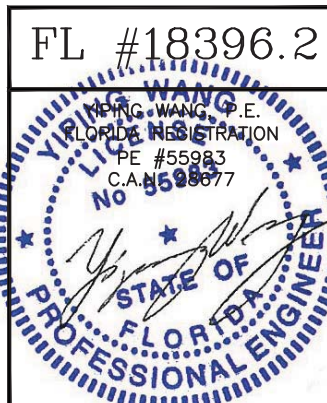
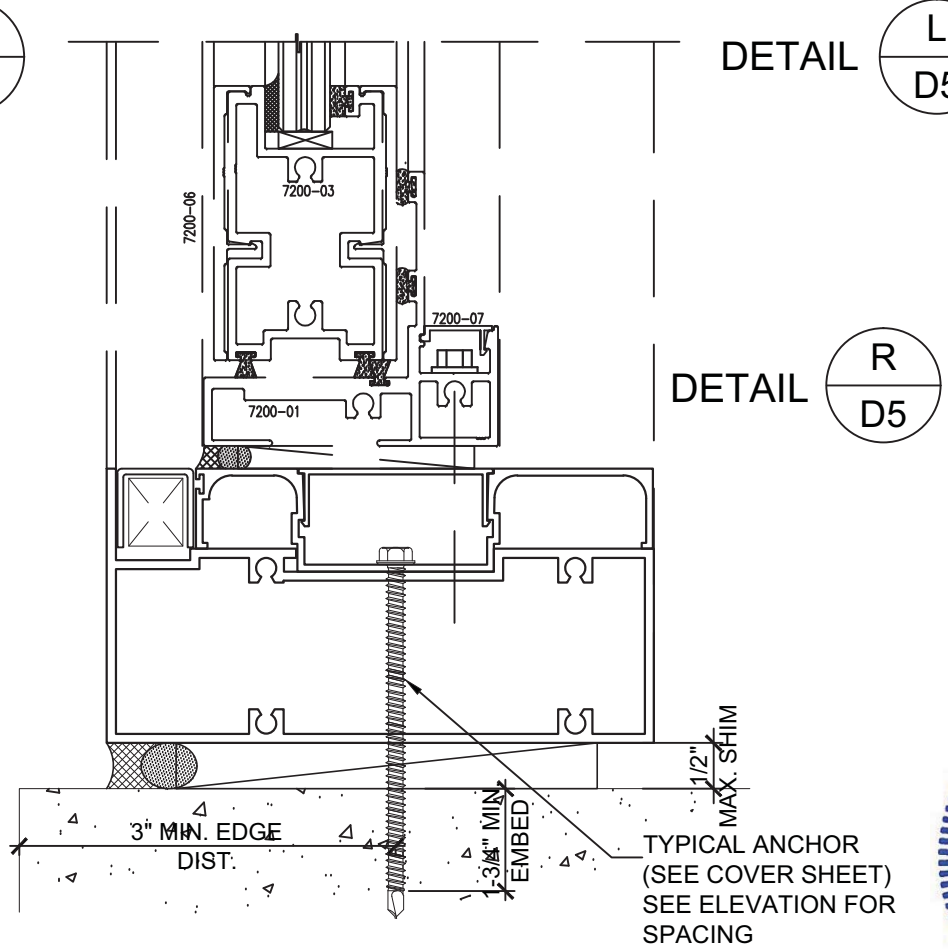
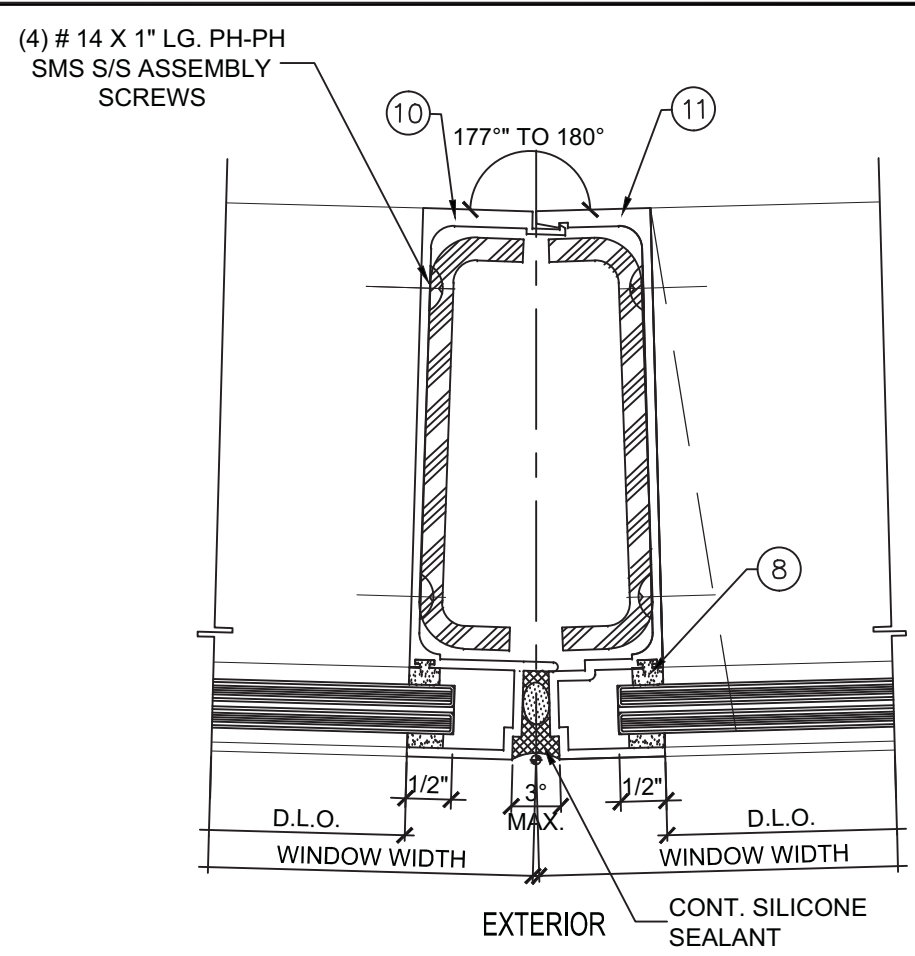
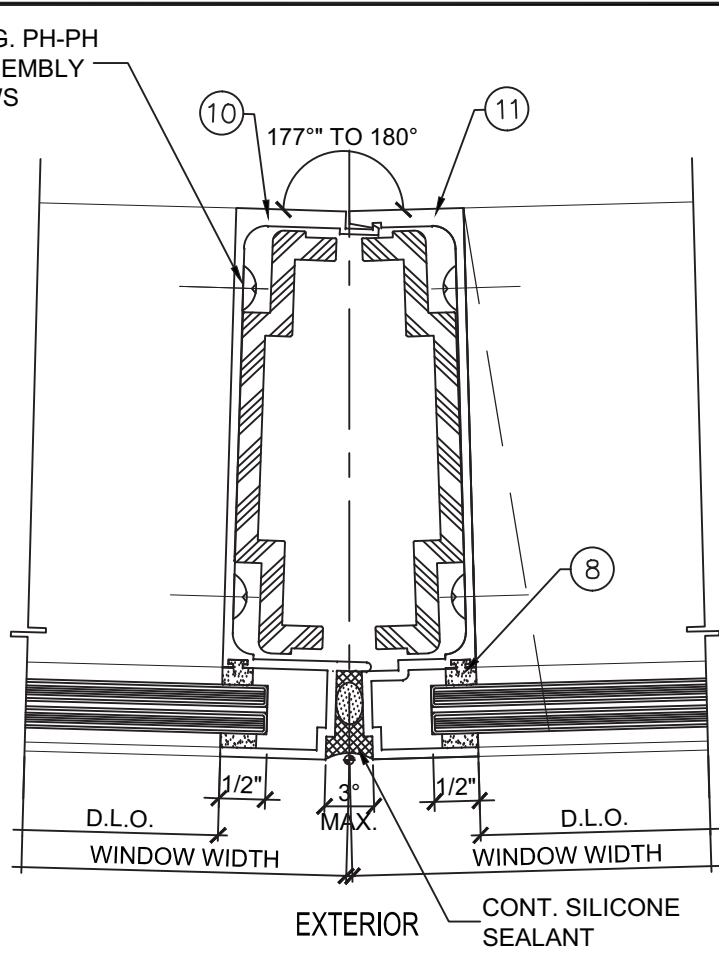
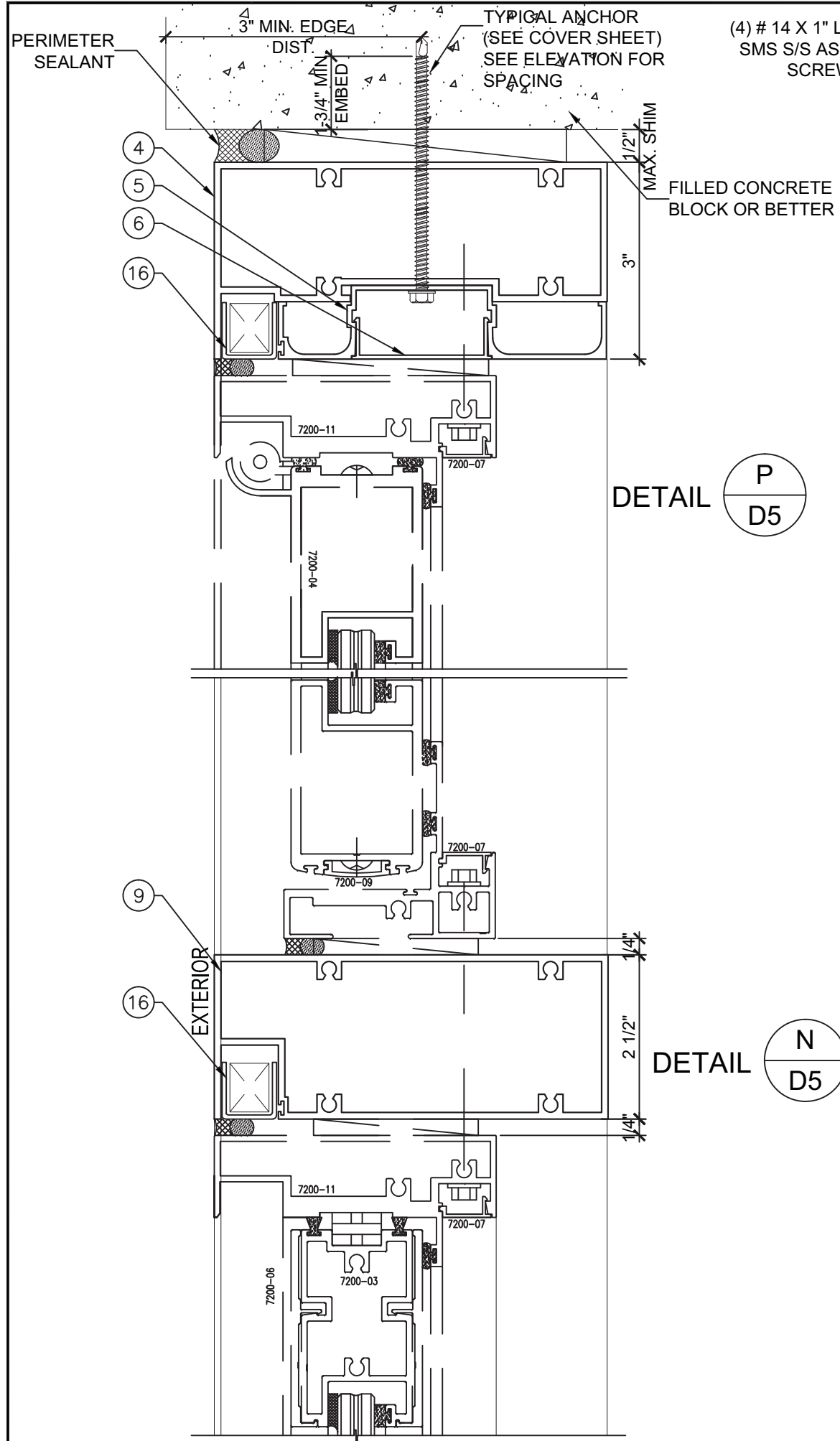


REVISIONS	NO.	DATE	DESCRIPTION

MCY ENGINEERING, INC.
GLAZING CONSULTANTS
8501 SW 124 Ave. Ste. 205A
MIAMI, FL 33183
P: 305.271.0117
F: 305.279.6818
www.MCYEngineering.com
MCY.Engineering@Att.net

SERIES 3000 FIXED WINDOW - SMI
CONTINENTAL GLASS SYSTEMS, LLC.
325 WEST 74 PLACE HIALEAH, FL 33014
TEL (305) 231-1101 FAX (305) 231-1103

DATE	10/30/15
SCALE	AS SHOWN
DRAWN	Bin
PROJECT	15-140
DRAWING NO.	AD15-72
10 OF 14	

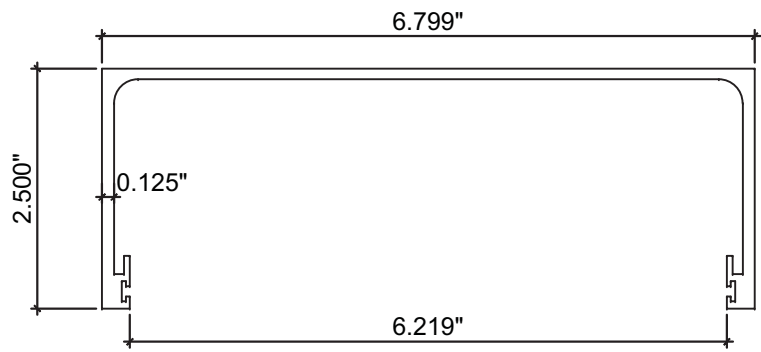


NO.	DATE	DESCRIPTION

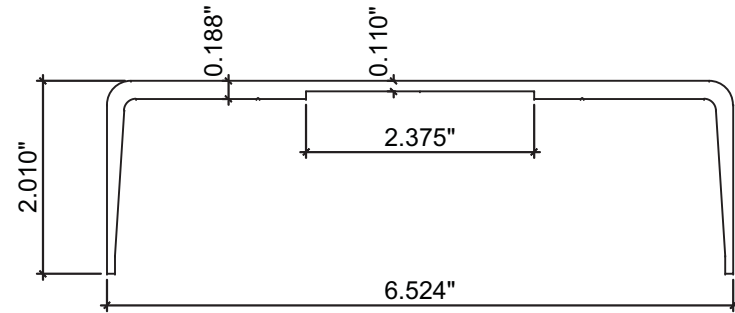
MCY ENGINEERING, INC.
 GLAZING CONSULTANTS
 8501 SW 124 Ave. Ste. 205A
 MIAMI, FL 33183
 P: 305.271.0117
 F: 305.279.6818
 www.MCYEngineering.com
 MCY.Engineering@Att.net

SERIES 3000 FIXED WINDOW - SMI
CONTINENTAL GLASS SYSTEMS, LLC.
 325 WEST 74 PLACE HIALEAH, FL 33014
 TEL (305) 231-1101 FAX (305) 231-1103

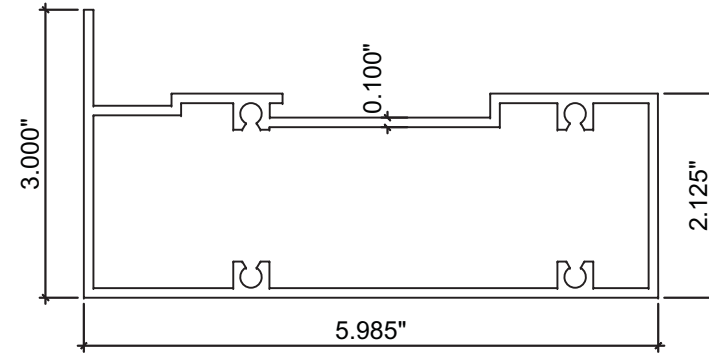
DATE	10/30/15
SCALE	AS SHOWN
DRAWN	Bin
PROJECT	15-140
DRAWING NO.	AD15-72
11 OF 14	



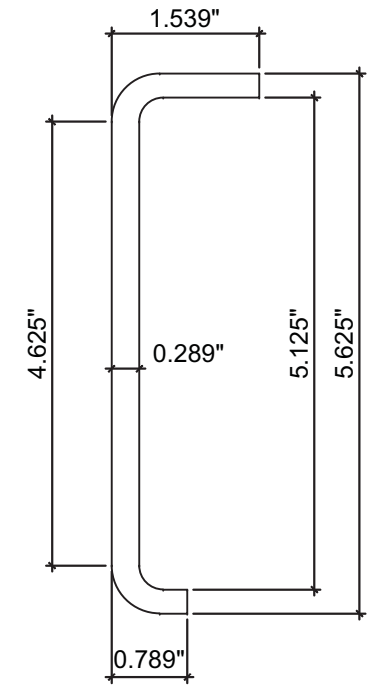
1 RECEPTOR
2000 - 07 6063-T6



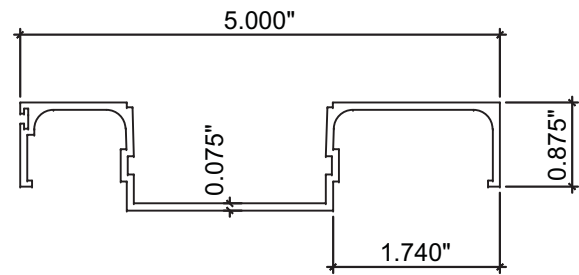
2 REINFORCING
2000 - 16 6063-T6



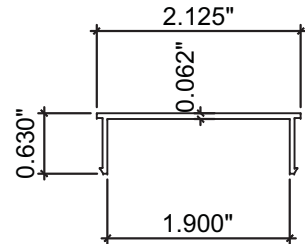
4 HEAD AND SILL
3000 - 01 6005-T5



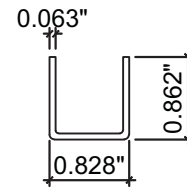
14 JAMB REINFORCEMENT
3000 - 15A 6063-T6



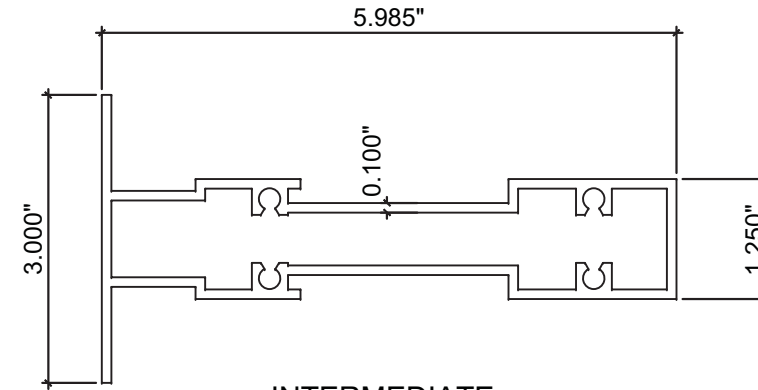
5 BEAD
3000 - 03 6005-T5



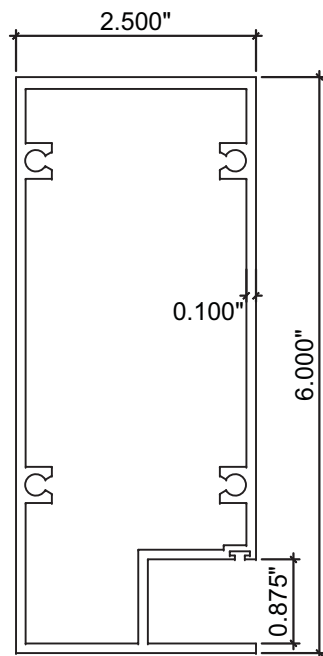
6 COVER
3000 - 07 6005-T5



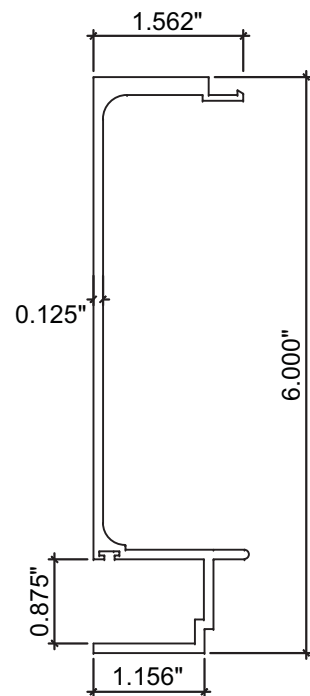
6 CHANNEL
6005-T5



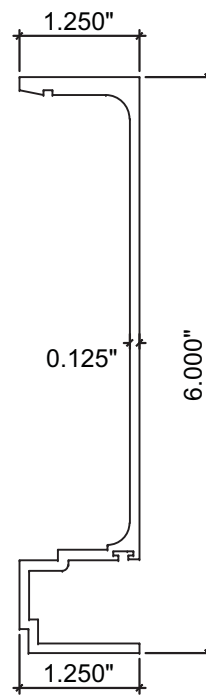
7 INTERMEDIATE
3000 - 02 6063-T6



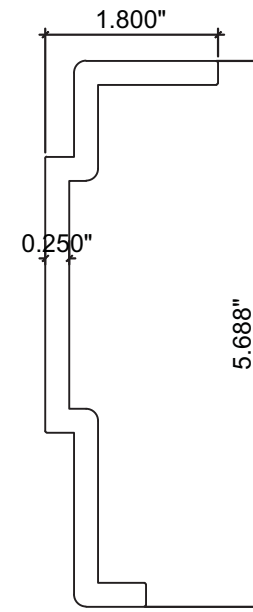
9 JAMB
3000 - 04 6005-T5



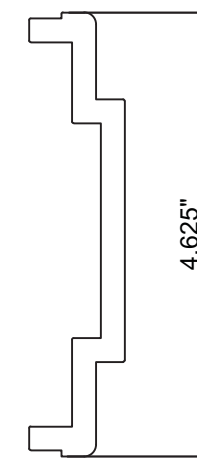
10 MALE
3000 - 05 6005-T5



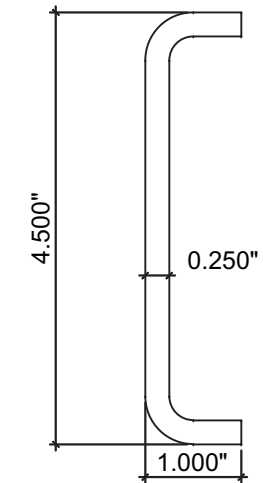
11 FEMALE
3000 - 06 6005-T5



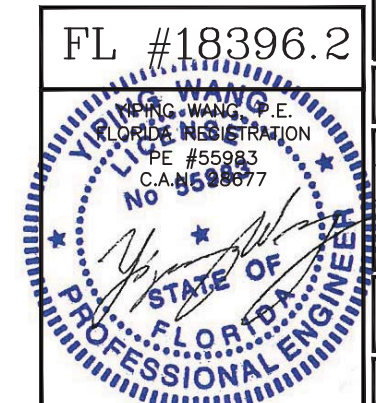
12 JAMB REINFORCEMENT
3000 - 15 6063-T6



13 MULLION REINFORCEMENT
3000 - 14 6063-T6



15 MULLION REINFORCEMENT
3000 - 14A 6063-T6



NO	DATE	DESCRIPTION

MCY ENGINEERING, INC.
GLAZING CONSULTANTS
8501 SW 124 Ave. Ste. 205A
MIAMI, FL 33183
P: 305.271.0117
F: 305.279.6818
www.MCYEngineering.com
MCY.Engineering@Att.net

SERIES 3000 FIXED WINDOW - SMI
CONTINENTAL GLASS SYSTEMS, LLC.
325 WEST 74 PLACE HIALEAH, FL 33014
TEL (305) 231-1101 FAX (305) 231-1103

EXTRUSIONS	
DATE	10/30/15
SCALE	AS SHOWN
DRAWN	Bin
PROJECT	15-140
DRAWING NO. AD15-72	
12 OF 14	

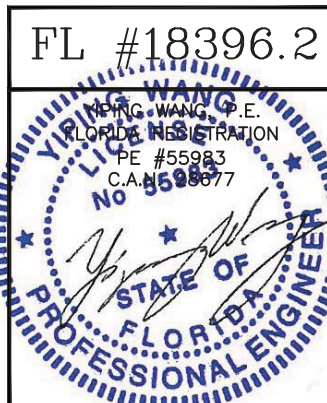
BILL OF MATERIALS

ITEM #	PROFILE	DESCRIPTION	MATERIAL	MANUFACTURER/REMARKS
1	2000 - 07	HEAD RECEPTOR	ALUM. 6005-T5	-
2	2000 - 16	HEAD RECEPTOR REINFORCING	ALUM. 6005-T5	-
3	FP-448-V	VINYL BULB	VINYL	-
4	3000 - 01	HEAD AND SILL	ALUM. 6005-T5	-
5	3000 - 03	BEAD	ALUM. 6005-T5	-
6	3000 - 07	COVER	ALUM. 6005-T5	-
7	3000 - 02	INTERMEDIATE	ALUM. 6005-T5	-
8	CGS - 01	GLASS SPACING	-	-
9	3000 - 04	JAMB	ALUM. 6005-T5	-
10	3000 - 05	MALE	ALUM. 6005-T5	-
11	3000 - 06	FEMALE	ALUM. 6005-T5	-
12	3000 - 15	JAMB REINFORCEMENT	ALUM. 6063-T6	-
13	3000 - 14	MULLION REINFORCEMENT	ALUM. 6063-T6	-
14	3000 - 15A	JAMB REINFORCEMENT	ALUM. 6063-T6	-
15	3000 - 14A	MULLION REINFORCEMENT	ALUM. 6063-T6	-
16	-	FILLER CHANNEL 0.826" X 0.826" X 1/8"	ALUM. 6063-T6	-
17	-	1/4" X 3/4" X 4" LG. SETTING BLOCKS @ 1/4 POINTS	NEOPRENE	DUROMETER 70-90 OR BETTER, SHORE 'A" OR EQUAL

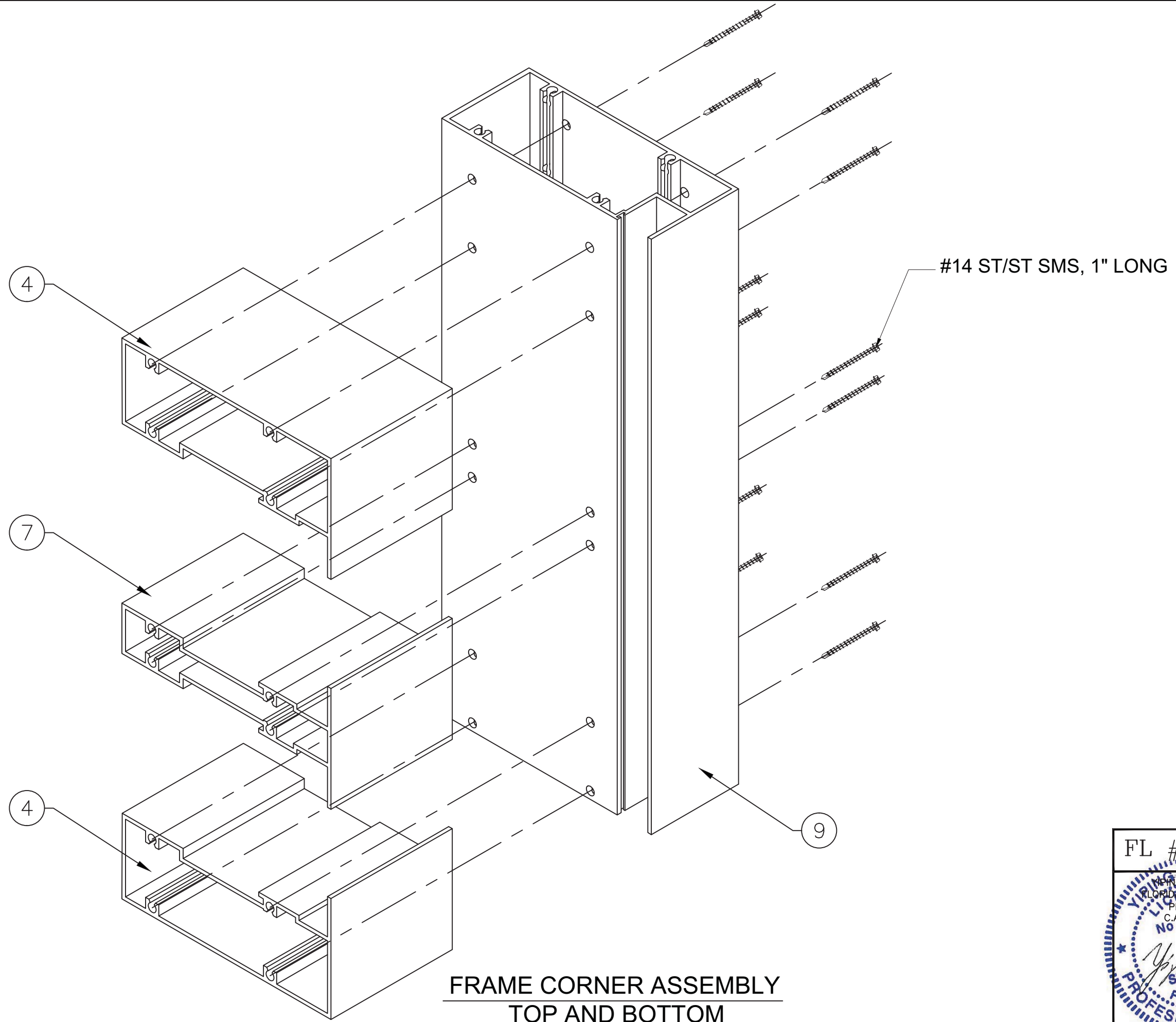
REVISIONS	DESCRIPTION
NO	DATE

MCY ENGINEERING, INC.
GLAZING CONSULTANTS
8501 SW 124 Ave. Ste. 205A
MIAMI, FL 33183
P: 305.271.0117
F: 305.279.6818
www.MCYEngineering.com MCY.Engineering@Att.net

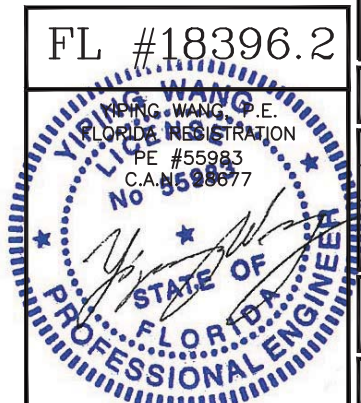
SERIES 3000 FIXED WINDOW - SMI
CONTINENTAL GLASS SYSTEMS, LLC.
325 WEST 74 PLACE HIALEAH, FL 33014
TEL (305) 231-1101 FAX (305) 231-1103



BOM	
DATE	10/30/15
SCALE	AS SHOWN
DRAWN	Bin
PROJECT	15-140
DRAWING NO.	
AD15-72	
13 OF 14	



FRAME CORNER ASSEMBLY
TOP AND BOTTOM



NO	DATE	REVISIONS DESCRIPTION

MCY ENGINEERING, INC.
GLAZING CONSULTANTS
8501 SW 124 Ave. Ste. 205A
MIAMI, FL 33183
www.MCYEngineering.com

MCY

P: 305.271.0117
F: 305.279.6818
MCY.Engineering@Att.net

SERIES 3000 FIXED WINDOW - SMI

CONTINENTAL GLASS SYSTEMS, LLC.
325 WEST 74 PLACE HIALEAH, FL 33014
TEL (305) 231-1101 FAX (305) 231-1103

ISO	
DATE	10/30/15
SCALE	AS SHOWN
DRAWN	Bin
PROJECT	15-140
DRAWING NO. AD15-72	
14 OF 14	