

REVISIONS			
REV	DESCRIPTION	DATE	APPROVED
A	REMOVED FIN INSTALLATION	07/29/15	R.L.
B	REVISED PER NEW REQUIREMENTS	01/10/18	R.L.


NOTES:

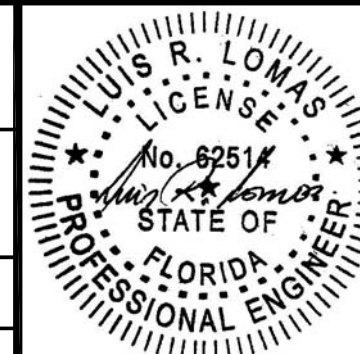
1. THE PRODUCT SHOWN HEREIN IS DESIGNED AND MANUFACTURED TO COMPLY WITH REQUIREMENTS OF THE FLORIDA BUILDING CODE INCLUDING THE HVHZ.
2. WOOD FRAMING AND MASONRY OPENING TO BE DESIGNED AND ANCHORED TO PROPERLY TRANSFER ALL LOADS TO STRUCTURE. FRAMING AND MASONRY OPENING IS THE RESPONSIBILITY OF THE ARCHITECT OR ENGINEER OF RECORD.
3. 1X BUCK OVER MASONRY/CONCRETE IS OPTIONAL.
4. WHERE SHIM OR BUCK THICKNESS IS LESS THAN 1-1/2" WINDOW UNITS MUST BE ANCHORED THROUGH THE FRAME IN ACCORDANCE WITH MANUFACTURER'S PUBLISHED INSTALLATION INSTRUCTIONS. ANCHORS SHALL BE SECURELY FASTENED DIRECTLY INTO MASONRY, CONCRETE OR OTHER STRUCTURAL SUBSTRATE MATERIAL.
5. WHERE WOOD BUCK THICKNESS IS 1-1/2" OR GREATER, BUCK SHALL BE SECURELY FASTENED TO MASONRY, CONCRETE OR OTHER STRUCTURAL SUBSTRATE. WINDOW UNITS MAY BE ANCHORED THROUGH FRAME TO SECURED WOOD BUCK IN ACCORDANCE WITH MANUFACTURER'S PUBLISHED INSTALLATION INSTRUCTIONS.
6. WHERE 1X BUCK IS NOT USED DISSIMILAR MATERIALS MUST BE SEPARATED WITH APPROVED COATING OR MEMBRANE. SELECTION OF COATING OR MEMBRANE IS THE RESPONSIBILITY OF THE ARCHITECT OR ENGINEER OF RECORD.
7. BUCKS SHALL EXTEND BEYOND WINDOW INTERIOR FACE SO THAT FULL FRAME SUPPORT IS PROVIDED.
8. FOR FIN INSTALLATION SHIM AS NEEDED. FOR FRAME INSTALLATION SHIM AS REQUIRED AT EACH ANCHOR LOCATION WITH LOAD BEARING SHIM. SHIM WHERE SPACE OF 1/16" OR GREATER OCCURS. MAXIMUM ALLOWABLE SHIM STACK TO BE 1/4".
9. SHIMS SHALL BE LOCATED, APPLIED AND MADE FROM MATERIALS AND THICKNESS CAPABLE OF SUSTAINING APPLICABLE LOADS.
10. WIND LOAD DURATION FACTOR Cd=1.6 WAS USED FOR WOOD ANCHOR CALCULATIONS.
11. FRAME MATERIAL: EXTRUDED RIGID PVC.
12. UNITS MUST BE GLAZED PER ASTM E1300-04/09, SEE SHEET 2 FOR GLASS DETAILS.
13. APPROVED IMPACT PROTECTIVE SYSTEM IS NOT REQUIRED FOR THIS PRODUCT IN WIND BORNE DEBRIS REGIONS.
14. FOR ANCHORING THROUGH FRAME INTO WOOD FRAMING OR 2X BUCK USE #14 WOOD SCREWS WITH SUFFICIENT LENGTH TO ACHIEVE A 1 7/16" MINIMUM EMBEDMENT INTO SUBSTRATE. LOCATE ANCHORS AS SHOWN IN ELEVATIONS AND INSTALLATION DETAILS.

15. FOR ANCHORING THROUGH FRAME INTO MASONRY/CONCRETE USE 1/4" CRETE FLEX WITH SUFFICIENT LENGTH TO ACHIEVE A 1 1/4" MINIMUM EMBEDMENT INTO SUBSTRATE WITH 1 3/4" MINIMUM EDGE DISTANCE. LOCATE ANCHORS AS SHOWN IN ELEVATIONS AND INSTALLATION DETAILS.
16. FOR ANCHORING THROUGH FRAME INTO METAL STRUCTURE USE #12 SMS OR SELF DRILLING SCREWS WITH SUFFICIENT LENGTH TO ACHIEVE 3 THREADS MINIMUM BEYOND STRUCTURE INTERIOR WALL. LOCATE ANCHORS AS SHOWN IN ELEVATIONS AND INSTALLATION DETAILS.
17. ALL FASTENERS TO BE CORROSION RESISTANT.
18. INSTALLATION ANCHORS SHALL BE INSTALLED IN ACCORDANCE WITH ANCHOR MANUFACTURER'S INSTALLATION INSTRUCTIONS AND ANCHORS SHALL NOT BE USED IN SUBSTRATES WITH STRENGTHS LESS THAN THE MINIMUM STRENGTH SPECIFIED BELOW:
  - A. WOOD - MINIMUM SPECIFIC GRAVITY OF G=0.42
  - B. CONCRETE - MINIMUM COMPRESSIVE STRENGTH OF 3,192 PSI.
  - C. MASONRY - STRENGTH CONFORMANCE TO ASTM C-90, GRADE N, TYPE 1 (OR GREATER).
  - D. METAL STRUCTURE: STEEL 18GA, 33KSI OR ALUMINUM 6063-T5 .067" THICK MINIMUM
19. APPROVED CONFIGURATIONS: OXO AND OXXO.

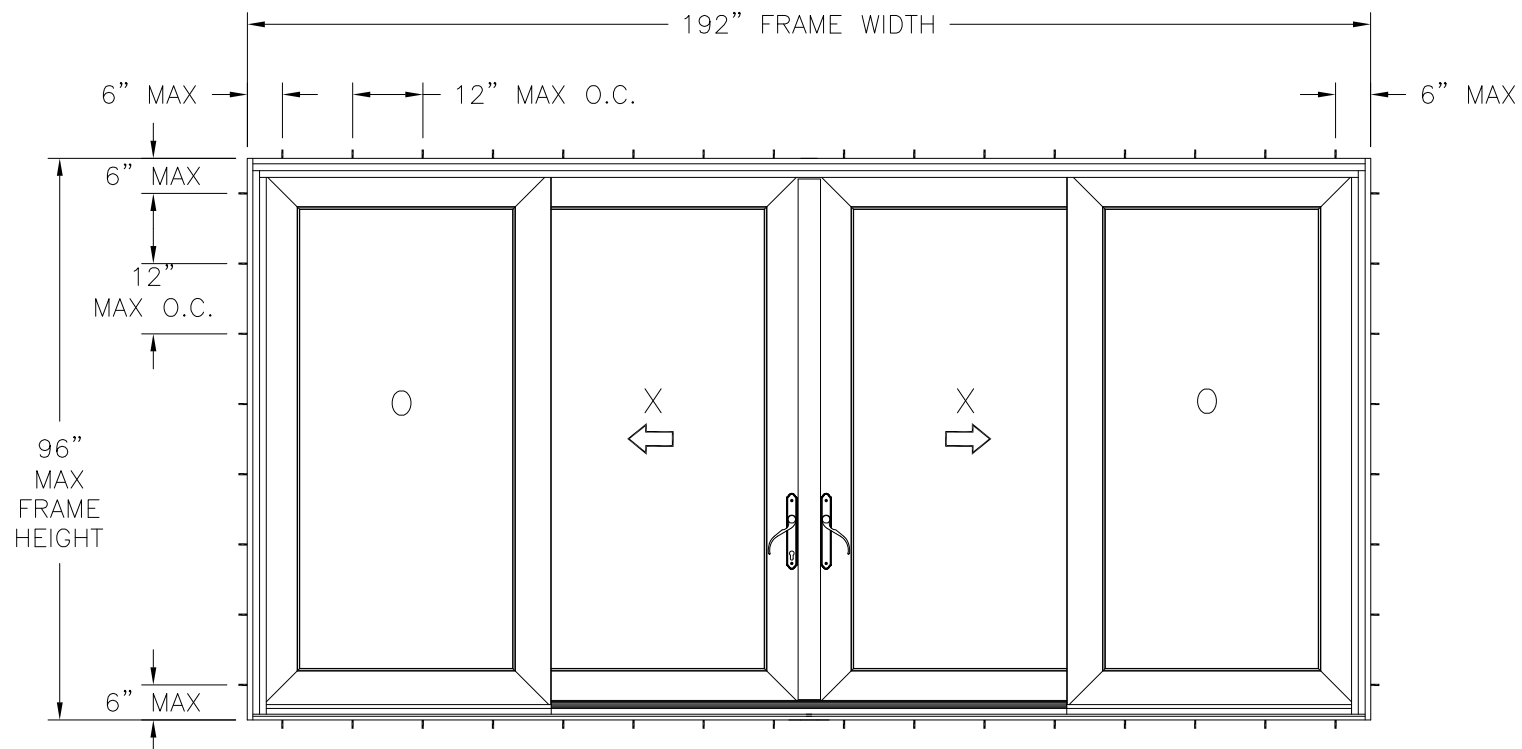
SIGNED: 01/10/2018

TABLE OF CONTENTS	
SHEET NO.	DESCRIPTION
1	NOTES
2	ELEVATION
3 - 5	INSTALLATION DETAILS
6	COMPONENTS

 <b>Eastern</b> ARCHITECTURAL SYSTEMS ALUMINUM AND VINYL IMPACT WINDOWS AND DOORS			EASTERN ARCHITECTURAL SYSTEMS A DIVISION OF EASTERN METAL SUPPLY 16341 DOMESTIC AVE FORT MYERS, FL 33912 800-432-2204		
623 HVHZ PD W/IMPACT BRACKETS HIGH PRESSURE VINYL EQUAL LEG FRAME SLIDING GLASS DOOR NOTES					
DRAWN:		DWG NO.		REV	
N.G.		08-02695		B	
SCALE NTS		DATE 04/16/15		SHEET 1 OF 6	
L. ROBERTO LOMAS P.E. 1432 WOODFORD RD LEWISVILLE, NC 27023 434-688-0609 rllomas@lrlomaspe.com					



Luis R. Lomas P.E.  
FL No.: 62514

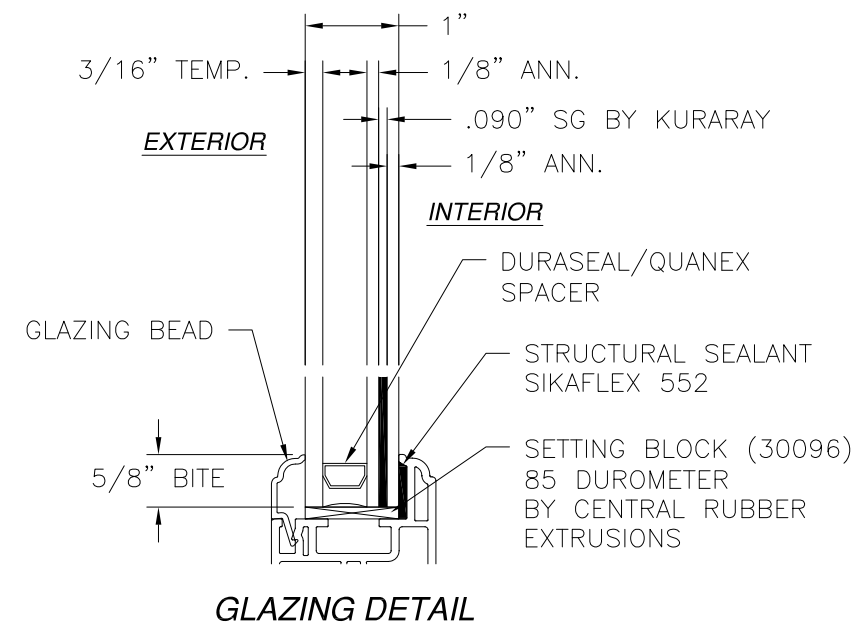


**625.620 PD VINYL EQUAL LEG FRAME SLIDING GLASS DOOR**  
 EXTERIOR VIEW  
 FRAME INSTALLATION

DESIGN PRESSURE RATING	IMPACT RATING
±65.0PSF	LARGE AND SMALL MISSILE IMPACT

MISSILE LEVEL D, WIND ZONE 4, AND HVHZ

REVISIONS			
REV	DESCRIPTION	DATE	APPROVED
A	REMOVED FIN INSTALLATION	07/29/15	R.L.
B	REVISED PER NEW REQUIREMENTS	01/10/18	R.L.



**GLAZING DETAIL**

NOTES:

1. MAXIMUM PANEL SIZE: 49 3/16" X 93 1/2"
2. MAXIMUM D.L.O.: 40 3/4" X 85"
3. (4) 1" X 1/4" WEEP NOTCHES AT EACH CORNER OF EXTERIOR SILL AND INTERIOR TRACK LEG.

**HARDWARE SCHEDULE**

A.	(4) STEEL FRONT ADJUSTABLE TANDEM ROLLER AT EACH OPERABLE PANEL BOTTOM RAIL CORNER
B.	(2) INSIDE/OUTSIDE PULL HANDLE AT LOCK STILE OF OPERABLE PANELS
C.	(1) GEMINI II LOCK WITH 2450 TRIMPLATE 38 1/4" FROM BOTTOM PANEL AT LOCK STILE
D.	(1) STEEL KEEPER (GEMINI 1") 38 1/4" FROM BOTTOM PANEL AT LATCH STILE
E.	(1) ALUMINUM REINFORCEMENT H SHAPED (10300151) AT EACH FIXED PANEL INTERLOCK
F.	(ALUMINUM SQUARE TUBE REINFORCEMENT (10300151-A) AT EACH OPERABLE PANEL VERTICAL INTERLOCK RAIL
G.	(1) FREE FLOATING ALUMINUM REINFORCEMENT (10300150) AT EACH FIXED PANEL JAMB STILE AND ACTIVE PANEL LOCKSTILE
H.	(1) ALUMINUM RAIL INSERT REINFORCEMENT (10300152) AT EACH OPERABLE PANEL BOTTOM RAIL
I.	(1) ALUMINUM "L" ANGLE (EMS 11-63-275) AT FRAME SILL
J.	(4) NYLON IMPACT BRACKETS (011H055-D) ONE AT EACH OPERABLE PANEL INTERLOCK STILE, TOP/BOTTOM RAIL INTERFACE

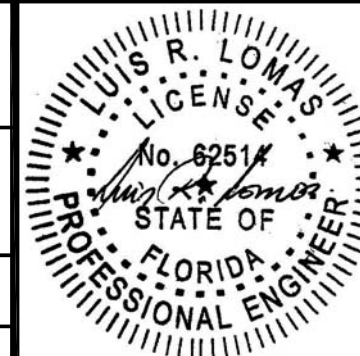
SIGNED: 01/10/2018

**Eastern** ARCHITECTURAL SYSTEMS  
 A DIVISION OF EASTERN METAL SUPPLY  
 16341 DOMESTIC AVE  
 FORT MYERS, FL 33912  
 800-432-2204

623 HVHZ PD W/IMPACT BRACKETS HIGH PRESSURE VINYL EQUAL LEG FRAME SLIDING GLASS DOOR ELEVATIONS

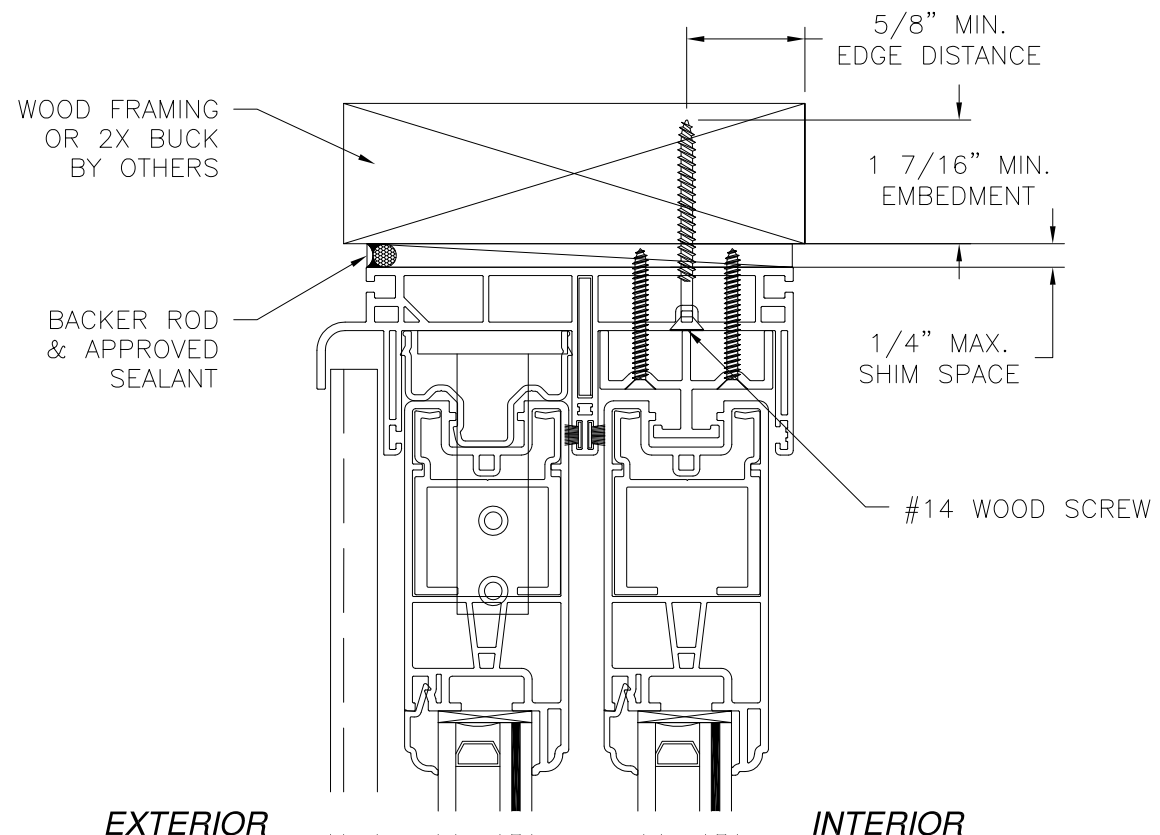
DRAWN: N.G.	DWG NO. 08-02695	REV B
SCALE NTS	DATE 04/16/15	SHEET 2 OF 6

L. ROBERTO LOMAS P.E.  
 1432 WOODFORD RD LEWISVILLE, NC 27023  
 434-688-0609 rllomas@rlomaspe.com



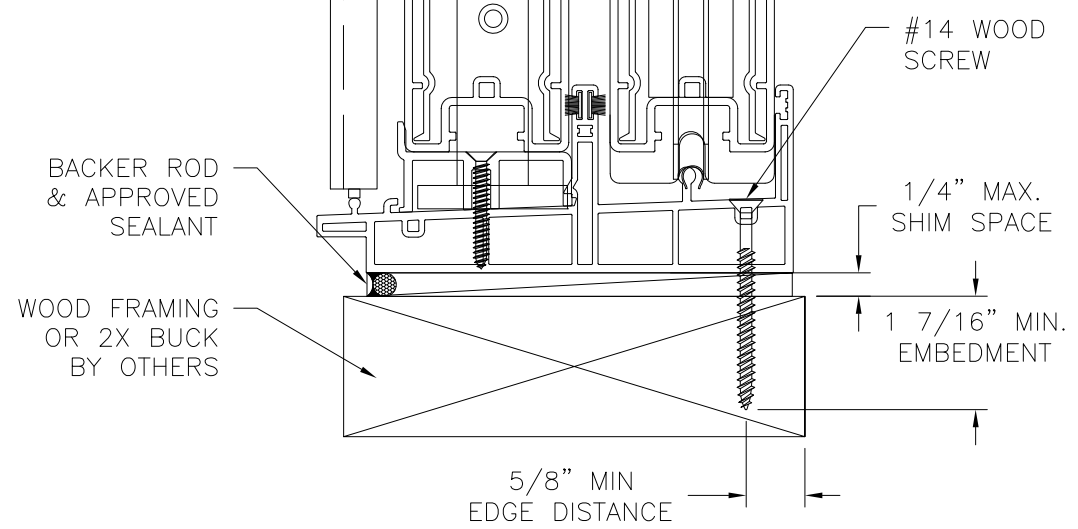
Luis R. Lomas P.E.  
 FL No.: 62514

REVISIONS			
REV	DESCRIPTION	DATE	APPROVED
A	REMOVED FIN INSTALLATION	07/29/15	R.L.
B	REVISED PER NEW REQUIREMENTS	01/10/18	R.L.



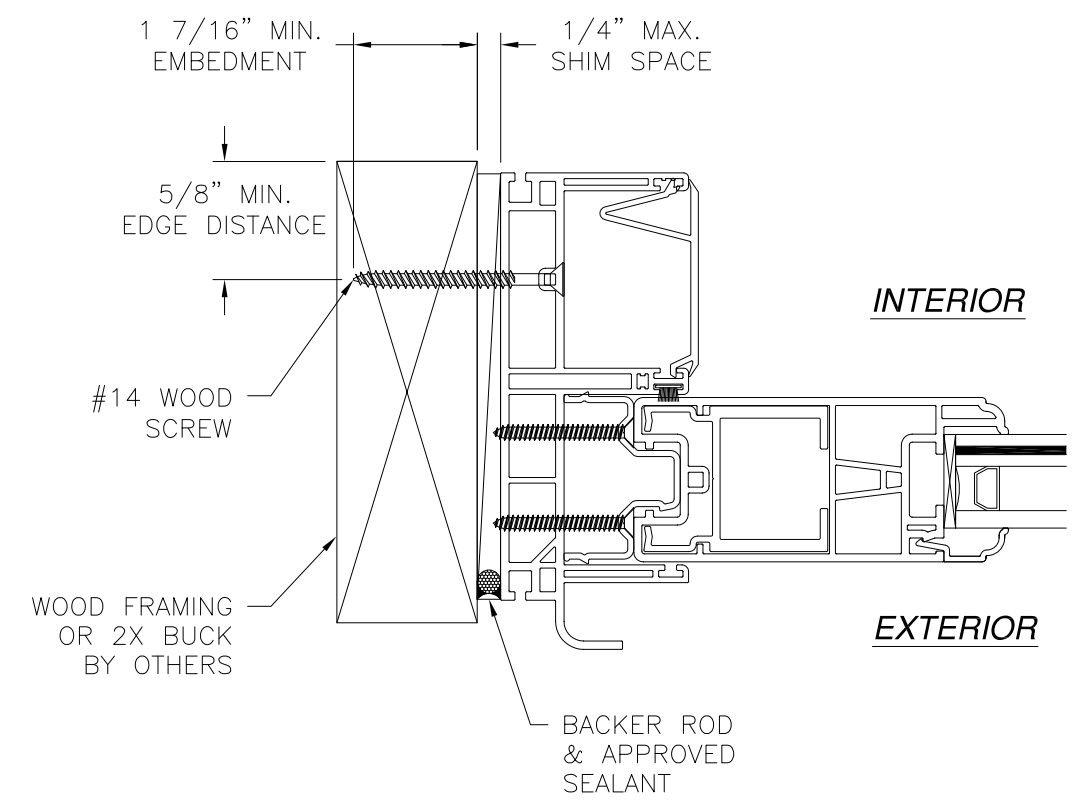
EXTERIOR

INTERIOR



**VERTICAL CROSS SECTION**  
WOOD FRAMING OR 2X BUCK INSTALLATION

**NOTES:**  
1. INTERIOR AND EXTERIOR FINISHES, BY OTHERS, NOT SHOWN FOR CLARITY.  
2. PERIMETER AND JOINT SEALANT BY OTHERS TO BE DESIGNED IN ACCORDANCE WITH ASTM E2112



**JAMB INSTALLATION DETAIL**  
WOOD FRAMING OR 2X BUCK INSTALLATION



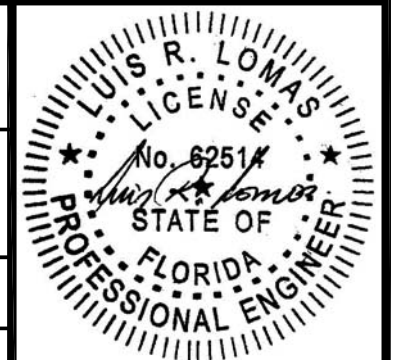
EASTERN ARCHITECTURAL SYSTEMS  
A DIVISION OF  
EASTERN METAL SUPPLY  
16341 DOMESTIC AVE  
FORT MYERS, FL 33912  
800-432-2204

623 HVHZ PD W/IMPACT BRACKETS HIGH PRESSURE VINYL EQUAL LEG FRAME SLIDING GLASS DOOR INSTALLATION DETAILS

DRAWN: N.G.	DWG NO. 08-02695	REV B
SCALE NTS	DATE 04/16/15	SHEET 3 OF 6

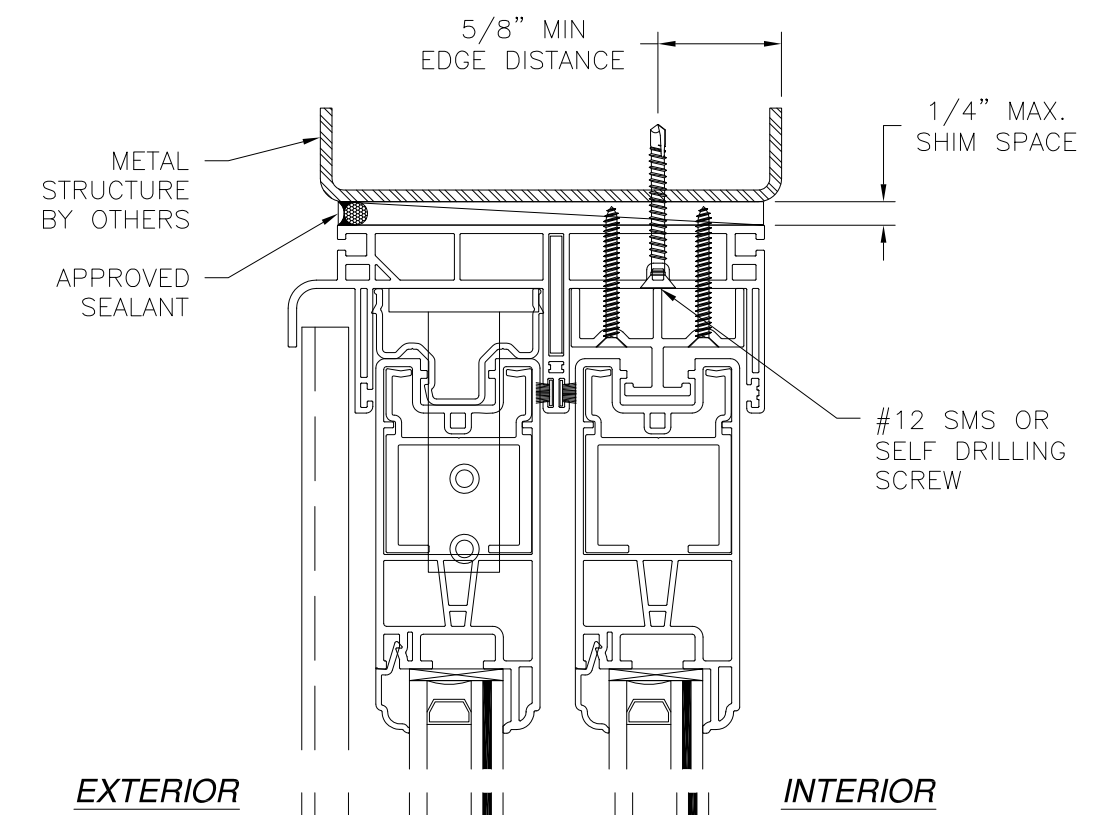
L. ROBERTO LOMAS P.E.  
1432 WOODFORD RD LEWISVILLE, NC 27023  
434-688-0609 rllomas@rlomaspe.com

SIGNED: 01/10/2018

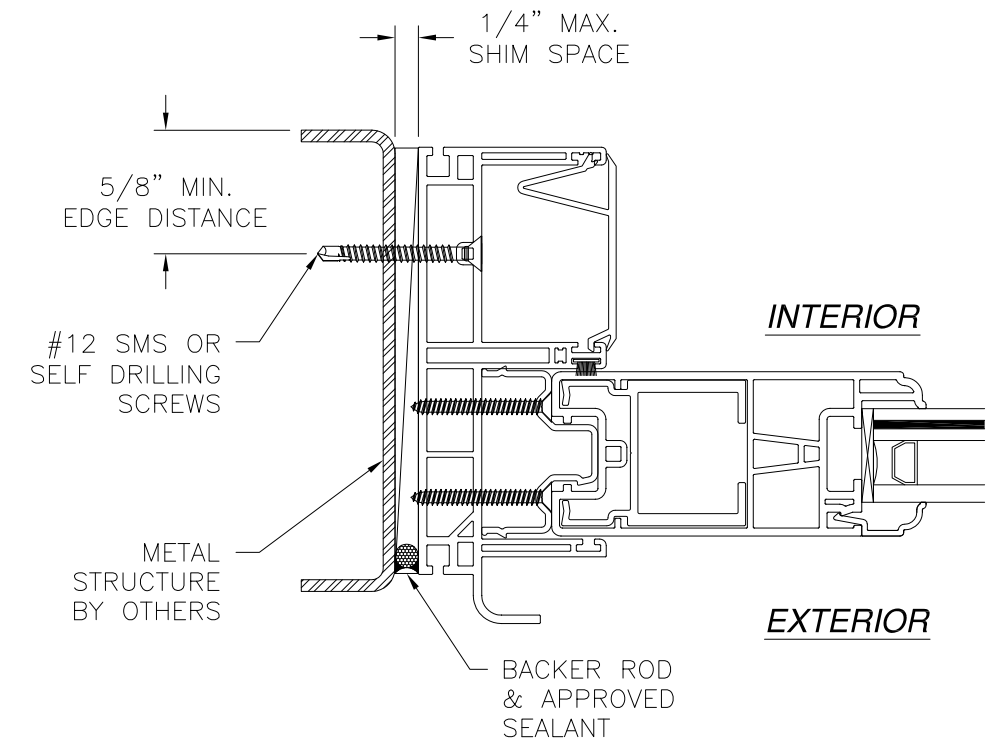


Luis R. Lomas P.E.  
FL No.: 62514

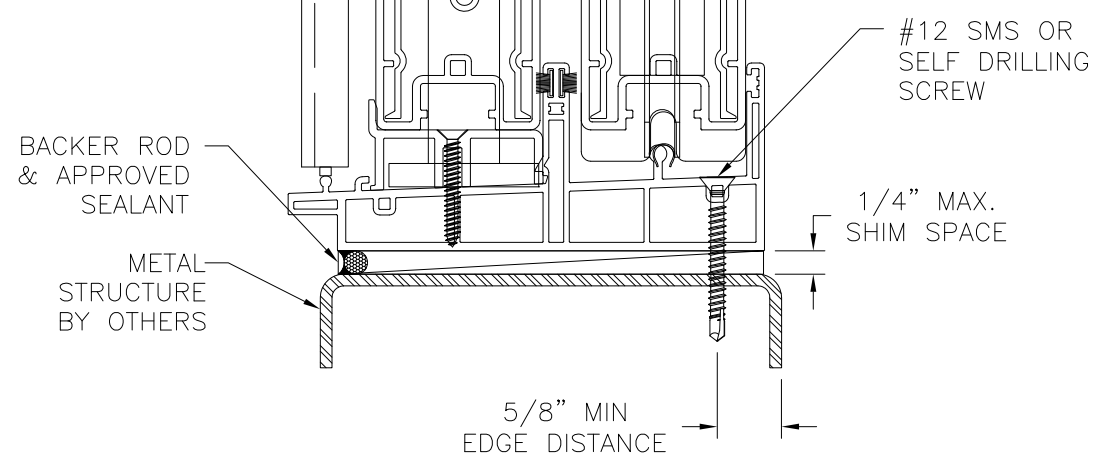
REVISIONS			
REV	DESCRIPTION	DATE	APPROVED
A	REMOVED FIN INSTALLATION	07/29/15	R.L.
B	REVISED PER NEW REQUIREMENTS	01/10/18	R.L.




**VERTICAL CROSS SECTION**  
METAL STRUCTURE INSTALLATION



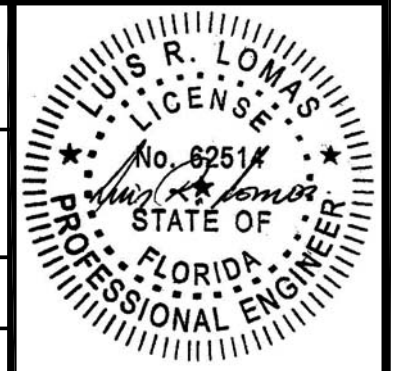
**JAMB INSTALLATION DETAIL**  
METAL STRUCTURE INSTALLATION



**NOTES:**  
 1. INTERIOR AND EXTERIOR FINISHES, BY OTHERS, NOT SHOWN FOR CLARITY.  
 2. PERIMETER AND JOINT SEALANT BY OTHERS TO BE DESIGNED IN ACCORDANCE WITH ASTM E2112

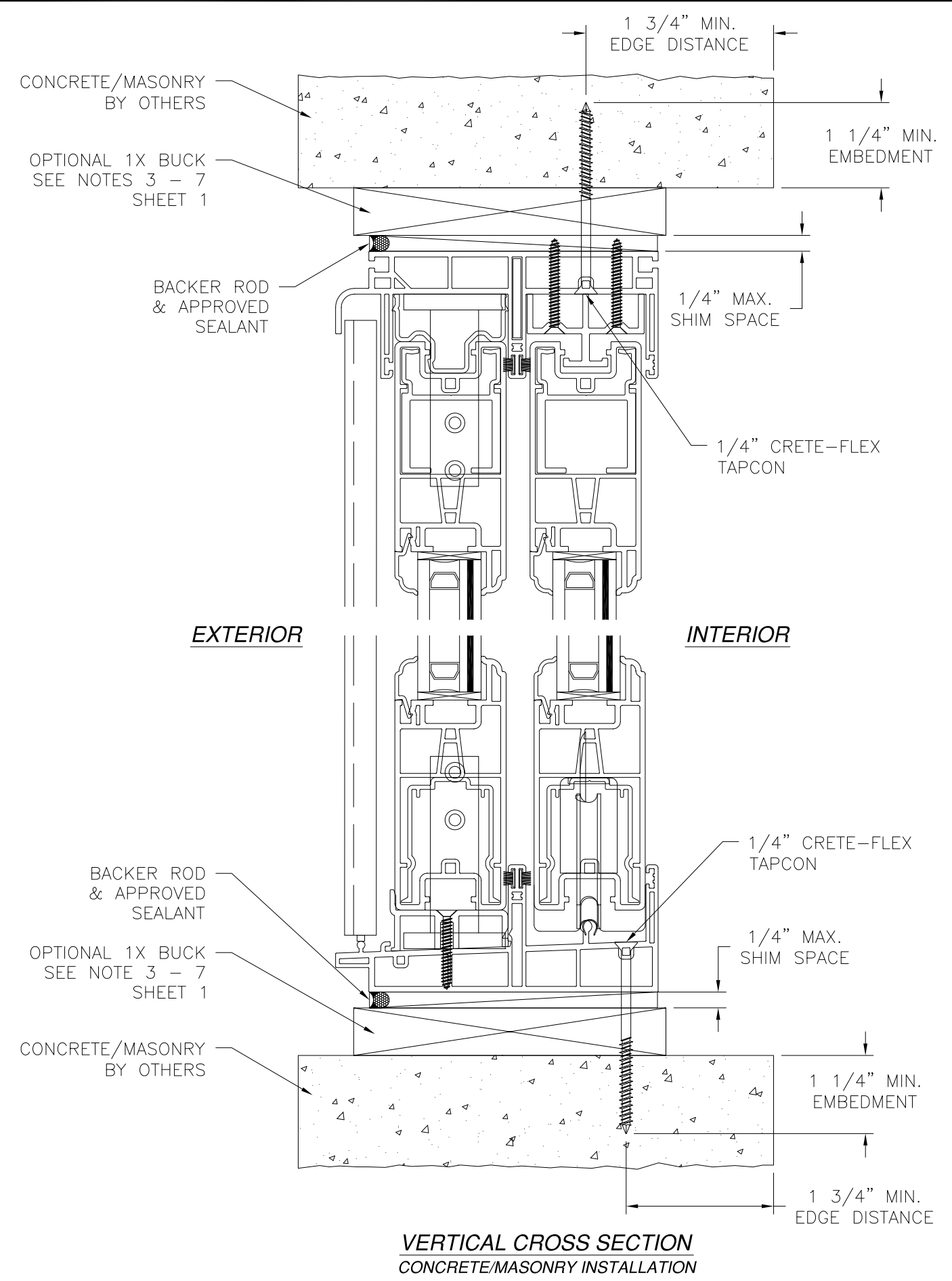
		EASTERN ARCHITECTURAL SYSTEMS A DIVISION OF EASTERN METAL SUPPLY 16341 DOMESTIC AVE FORT MYERS, FL 33912 800-432-2204	
<b>623 HVHZ PD W/IMPACT BRACKETS HIGH PRESSURE VINYL EQUAL LEG FRAME SLIDING GLASS DOOR INSTALLATION DETAILS</b>			
DRAWN: N.G.	DWG NO. 08-02695	REV B	
SCALE NTS	DATE 04/16/15	SHEET 4 OF 6	
L. ROBERTO LOMAS P.E. 1432 WOODFORD RD LEWISVILLE, NC 27023 434-688-0609 rllomas@rlomaspe.com			

SIGNED: 01/10/2018

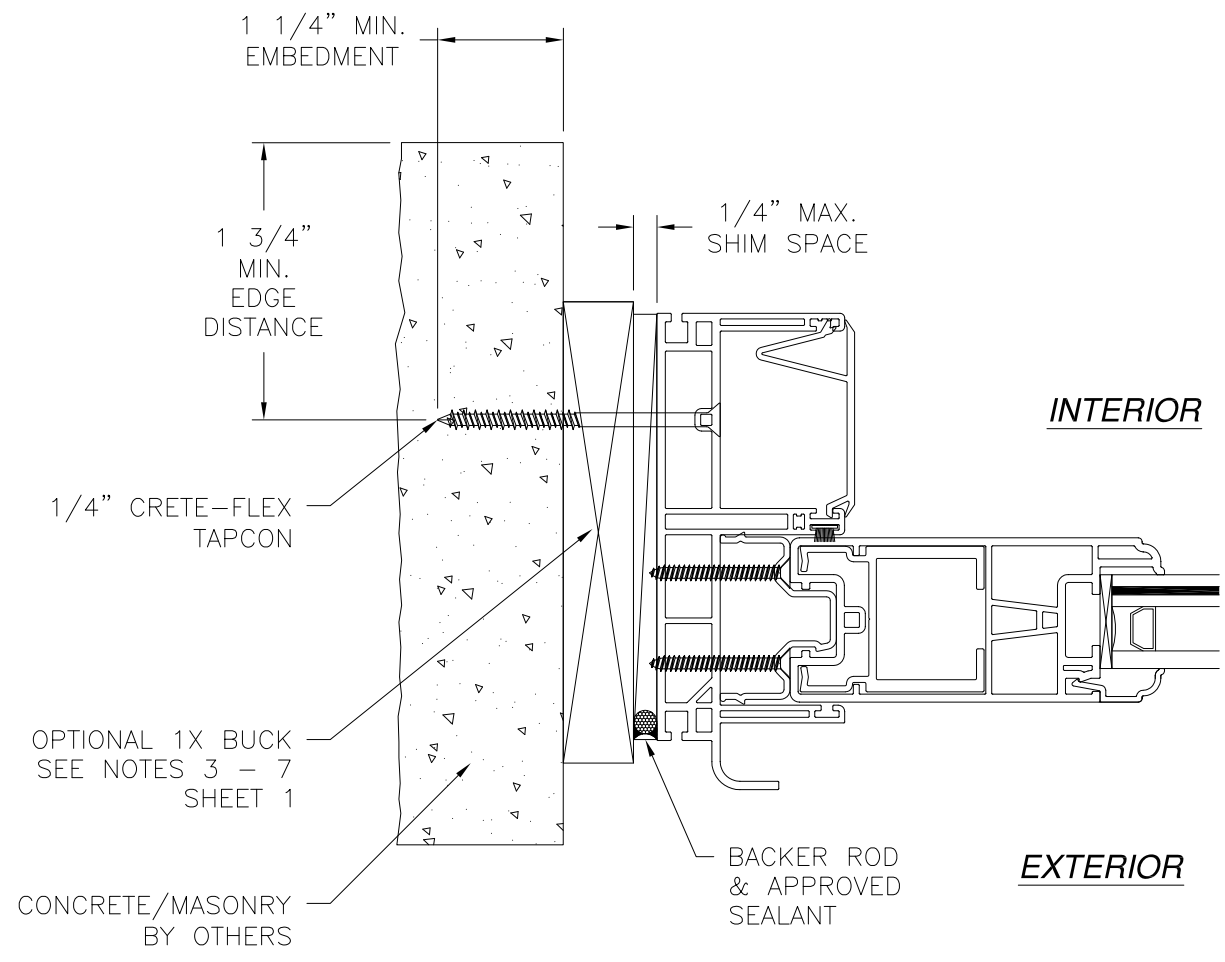


Luis R. Lomas P.E.  
FL No.: 62514

REVISIONS			
REV	DESCRIPTION	DATE	APPROVED
A	REMOVED FIN INSTALLATION	07/29/15	R.L.
B	REVISED PER NEW REQUIREMENTS	01/10/18	R.L.




**VERTICAL CROSS SECTION**  
CONCRETE/MASONRY INSTALLATION

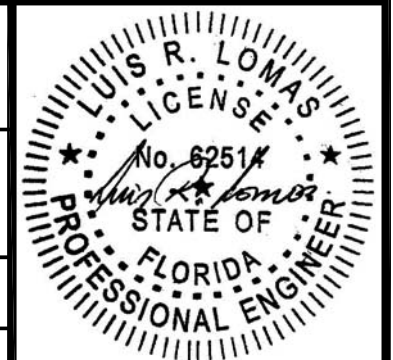


**JAMB INSTALLATION DETAIL**  
CONCRETE/MASONRY INSTALLATION

- NOTES:**
1. INTERIOR AND EXTERIOR FINISHES, BY OTHERS, NOT SHOWN FOR CLARITY.
  2. PERIMETER AND JOINT SEALANT BY OTHERS TO BE DESIGNED IN ACCORDANCE WITH ASTM E2112

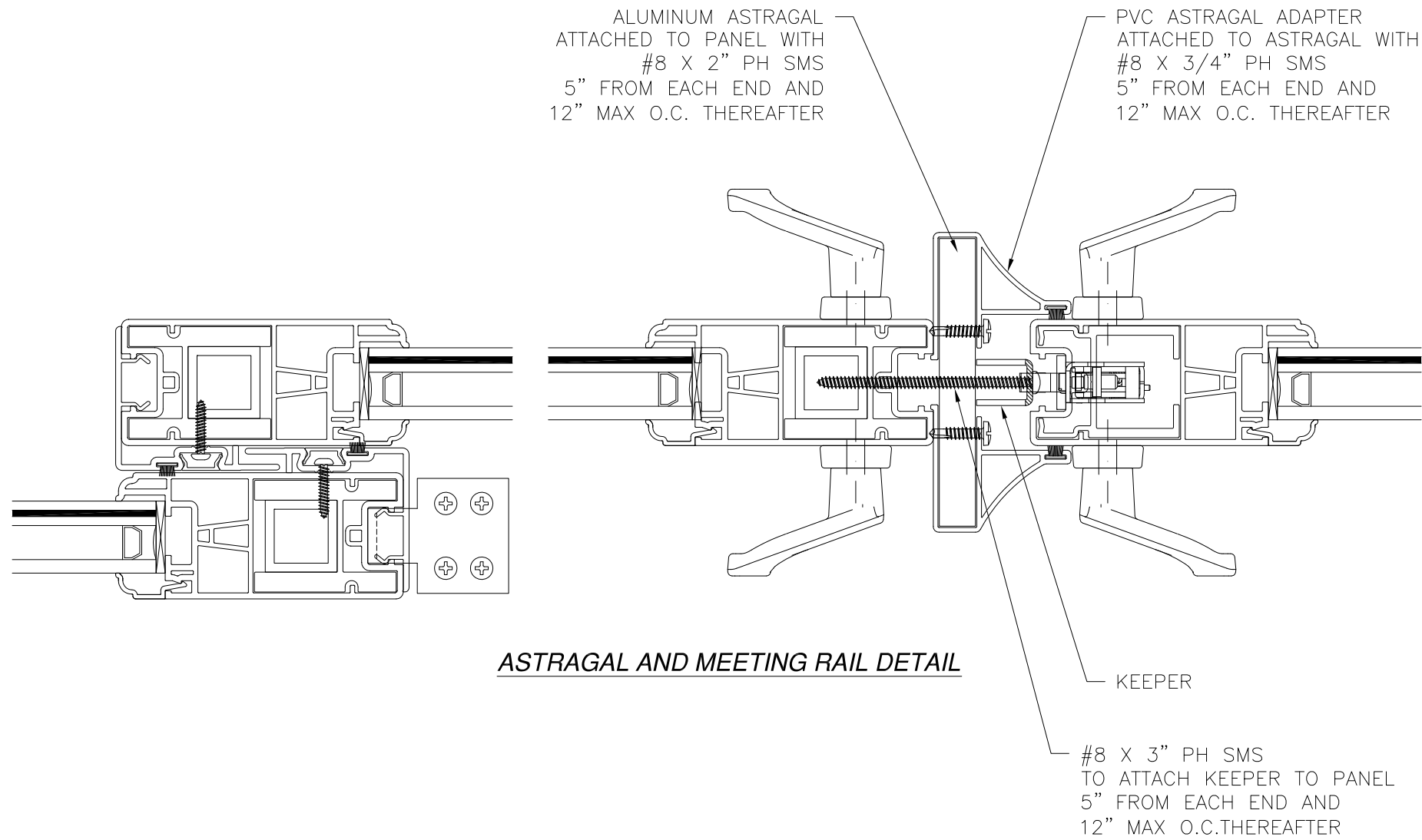
SIGNED: 01/10/2018

		EASTERN ARCHITECTURAL SYSTEMS A DIVISION OF EASTERN METAL SUPPLY 16341 DOMESTIC AVE FORT MYERS, FL 33912 800-432-2204	
623 HVHZ PD W/IMPACT BRACKETS HIGH PRESSURE VINYL EQUAL LEG FRAME SLIDING GLASS DOOR INSTALLATION DETAILS			
DRAWN: N.G.	DWG NO. 08-02695	REV B	
SCALE NTS	DATE 04/16/15	SHEET 5 OF 6	
L. ROBERTO LOMAS P.E. 1432 WOODFORD RD LEWISVILLE, NC 27023 434-688-0609 rllomas@rlomaspe.com			




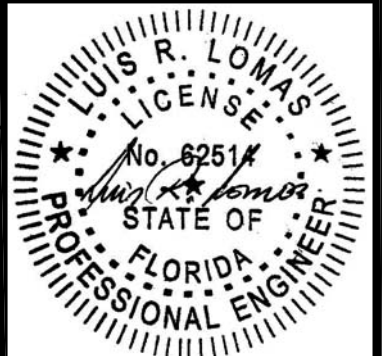
Luis R. Lomas P.E.  
FL No.: 62514

REVISIONS			
REV	DESCRIPTION	DATE	APPROVED
A	REMOVED FIN INSTALLATION	07/29/15	R.L.
B	REVISED PER NEW REQUIREMENTS	01/10/18	R.L.



SIGNED: 01/10/2018

		EASTERN ARCHITECTURAL SYSTEMS A DIVISION OF EASTERN METAL SUPPLY 16341 DOMESTIC AVE FORT MYERS, FL 33912 800-432-2204	
<b>623 HVHZ PD W/IMPACT BRACKETS HIGH PRESSURE VINYL EQUAL LEG FRAME SLIDING GLASS DOOR COMPONENTS</b>			
DRAWN: N.G.	DWG NO. 08-02695	REV B	
SCALE NTS	DATE 04/16/15	SHEET 6 OF 6	
L. ROBERTO LOMAS P.E. 1432 WOODFORD RD LEWISVILLE, NC 27023 434-688-0609 rllomas@rlomaspe.com			



Luis R. Lomas P.E.  
FL No.: 62514