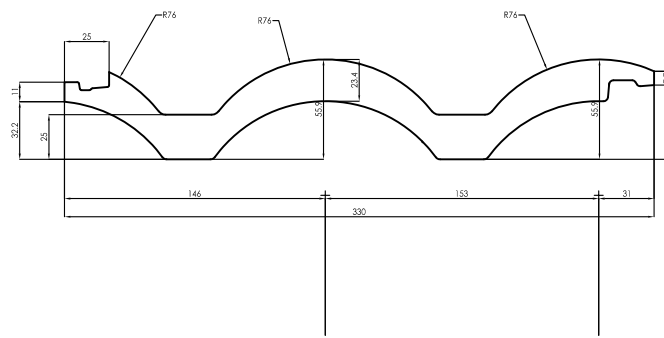
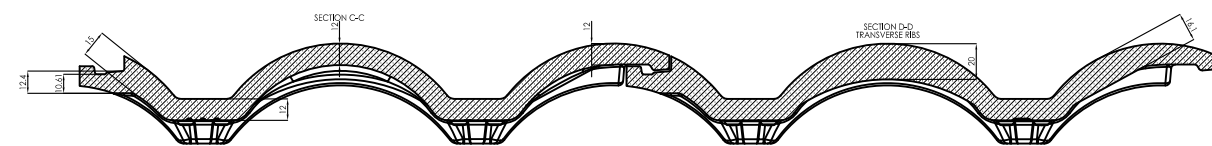
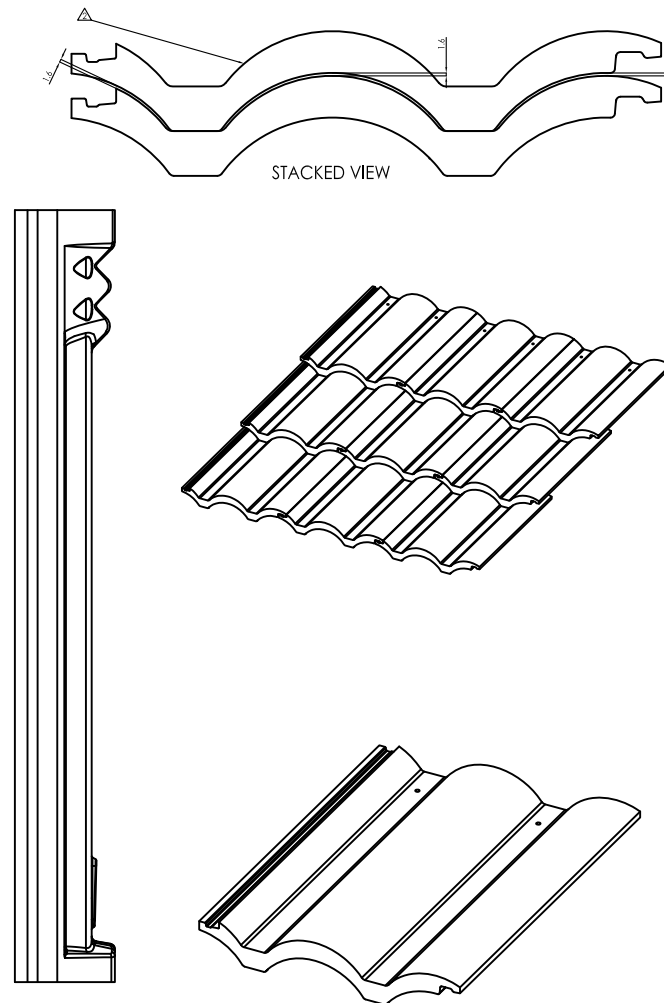
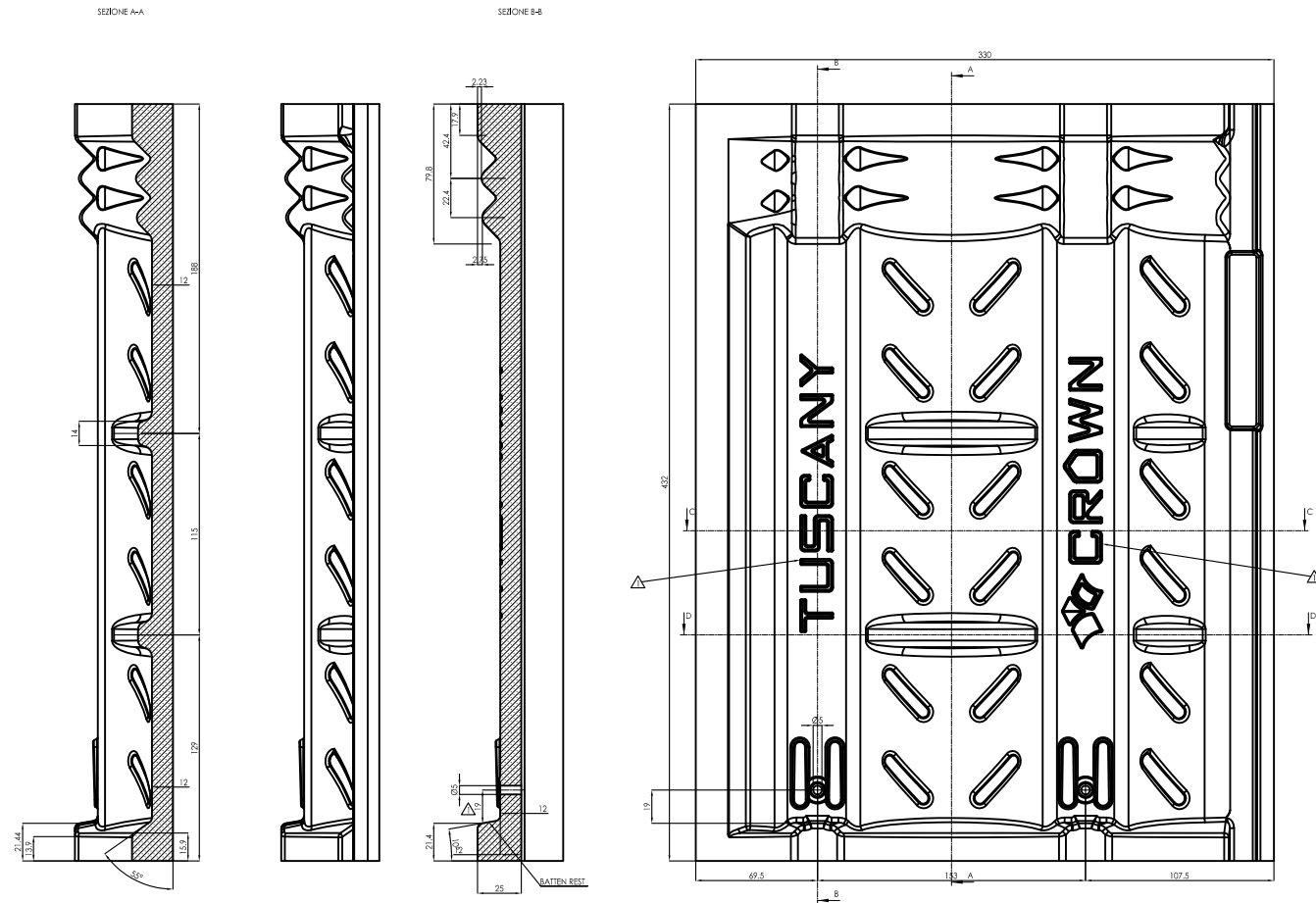


SERIES TUSCANY – CONCRETE ROOF TILE

FBC PRODUCT APPROVAL DRAWINGS



NOTES:

1. THE PRODUCT ILLUSTRATED SATISFIES THE REQUIREMENTS FOR THE 2010 FLORIDA BUILDING CODE INCLUDING HVHZ.
2. FOR NON-HVHZ, INSTALLATION SHALL COMPLY WITH THE MANUFACTURER'S CURRENT PUBLISHED INSTALLATION INSTRUCTIONS, BUT NOT LESS THAN THE REQUIREMENTS AS ESTABLISHED IN FBC SECTION 1507.3 AND THE FRSA/TRI 07320 FOR MECHANICALLY FASTENED INSTALLATIONS.
3. FOR NON-HVHZ, INSTALLATION SHALL COMPLY WITH THE MANUFACTURER'S CURRENT PUBLISHED INSTALLATION INSTRUCTIONS, BUT NOT LESS THAN THE REQUIREMENTS AS ESTABLISHED IN FBC SECTION 1607.7.3 AND THE MORTAR OR ADHESIVE MANUFACTURER'S PRODUCT APPROVAL FOR MORTAR AND ADHESIVE INSTALLATIONS.
4. FOR HVHZ INSTALLATIONS, A STATIC FIELD UPLIFT TEST SHALL BE PERFORMED IN ACCORDANCE WITH TAS 106 FOR MORTAR OR ADHESIVE SET TILE INSTALLATIONS.



Secure Electronic Seal
For Electronic Submissions

J. M. Royce
Digitally Signed by: Josh Royce

REVISIONS		MATERIAL	CROWN BUILDING PRODUCTS of FL, LLC 6018 SW HIGHWAY 72 ARCADIA, FL 34266		SCALE NTS
		EST. AREA			DWG NO. 101136D
		EST. WT.			SHEET NO. 1 OF 1
		EST. PERIM.	SERIES TUSCANY – CONCRETE ROOF TILE FBC INSTALLATION DRAWINGS GENERAL NOTES		EXTRUSION NO.
		DRAWN BY JMR	DATE 10/24/14		REV.