

# TABLE OF CONTENTS

Sheet	Description
1	General Notes and Design Pressure Rating, and Typical Elevation.
2	Cross Sections and Glazing Detail
3	Anchor Schedule and installation Notes
4	Anchor Details
5	Components and Bill of Materials

## NOTES

This Product is a Vinyl Outswing French Door with Weldable Corner Blocks, Steel Reinforcement and Laminated Insulated Glazing.

This Product Has Been Designed and Manufactured to Comply with the Requirements of the Florida Building Code, including the High Velocity Hurricane Zone (HVHZ).

This Product Meets the Requirements for Large Missile Impact Resistance up to the Design Pressures Specified Herein: Hurricane Shutters Are Not Required.

This Approval Applies to Single or Double Units, or Combinations of Units Installed Either Side of Product-Approved Mullions Meeting the Site-Specific Design Pressure Requirements. Such Mullions Shall be Subject to the Limitations of their Specific Product Approval Documents.

Wood Buck Design by Others: Wood Bucks Shall Adequately Transfer Imposed Loads to the Surrounding Structure.

A Load Duration Increase in Allowable Stress (Cd=1.33) Has Been Used in the Design of Anchors into Wood Only.

Anchors Shall be As Listed, As Shown on Details Herein. Anchor Embedment into Base Substrate Shall be Beyond Wall Dressing or Stucco. Anchor Conditions Not Described Herein are Not Part of This Approval Document, and Shall Require a Site Specific Design Signed and Sealed by A Florida-Registered Professional Engineer.

Dissimilar Metals that Contact One Another Shall be Painted, Plated, or Otherwise Galvanically Isolated in Accordance with the Florida Building Code.

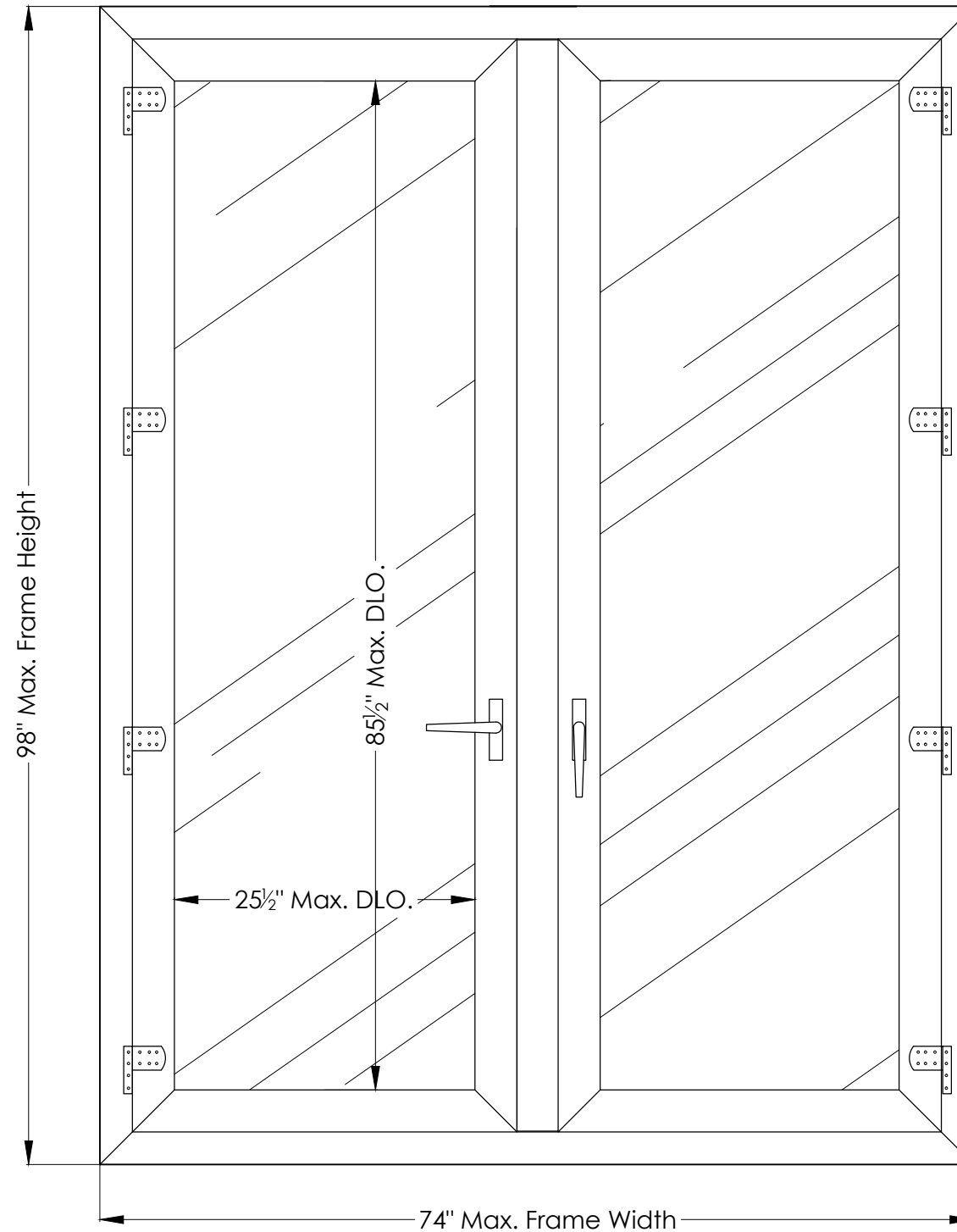
It Shall be the Responsibility of the Contractor, Engineer of Record, or End User to Determine that the Host Structure is Capable of Supporting the Loads Imposed Upon it, including Wind Loads, and the Suitability of this Product for the Specific Project.

Maximum Frame Size: 74" x 98"  
Maximum Daylight Opening: 25½" x 85½"

### MATERIALS

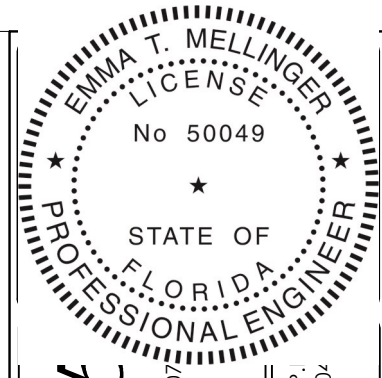
White Rigid PVC Extrusions  
Manufactured by Rehau, Inc. Hold a Current Miami-Dade County NOA

Glazing Interlayer, Manufactured by E.I. DuPont De Nemours & Co, Holds a Current Miami-Dade County NOA



**4500-SERIES 8'-0" OUTSWING FRENCH DOOR**  
(Dry Glazed)  
Exterior Elevation

DESIGN PRESSURE RATING	MISSILE IMPACT RATING
+65 psf, -65 psf	Large Missile Impact



**CATEGORY 1**  
Engineering Services, Inc.

1600 S. Federal Highway, #207  
Pompano Beach, FL 33062  
(954) 784-6991 • CA #25854

Emma T. Mellinger, P.E.  
FL PE #50049

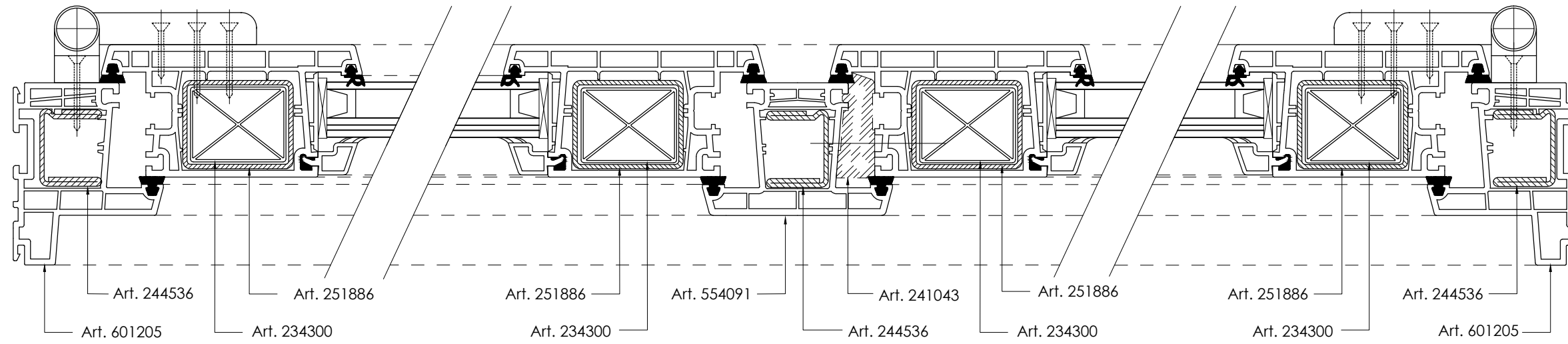
**4500-SERIES**  
**8'-0" OUTSWING FRENCH DOOR**  
Large Missile Impact Resistant

**EUROSTYLE**  
**IMPACT WINDOWS & DOORS**  
217 NW 4th Ave., Hallandale, FL 33009

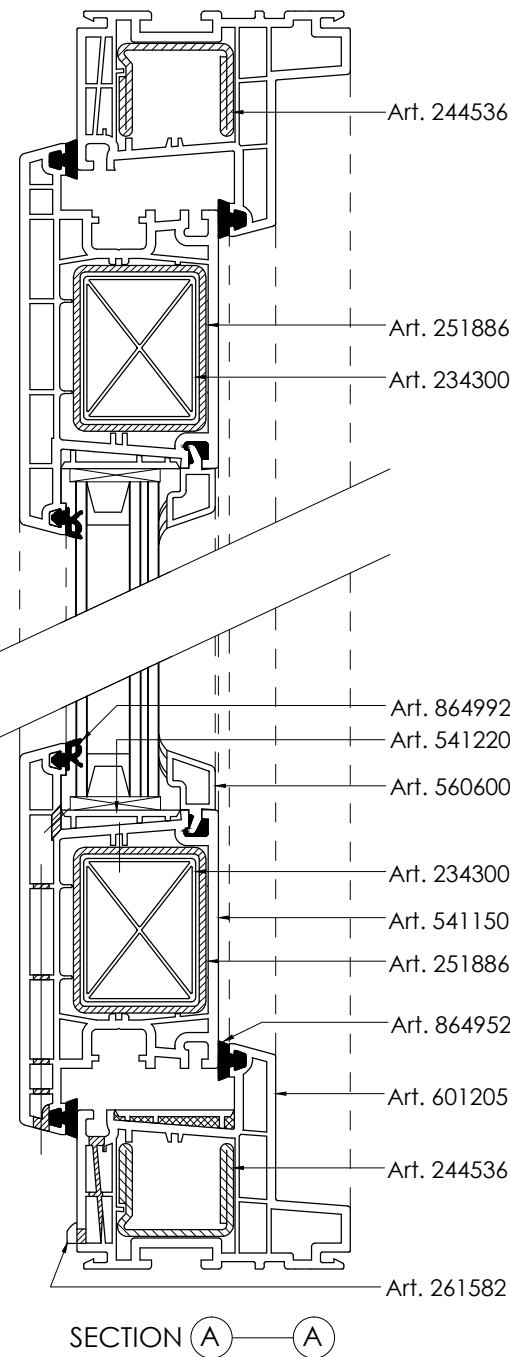
DATE: 05/07/14	SCALE: AS NOTED	BY: ETM	REVISIONS	NO.	DATE	DESCRIPTION
				1	04/28/15	EM - No Change This Sheet

**DRAWING No. :**  
EIWD4500OFD-80.dwg

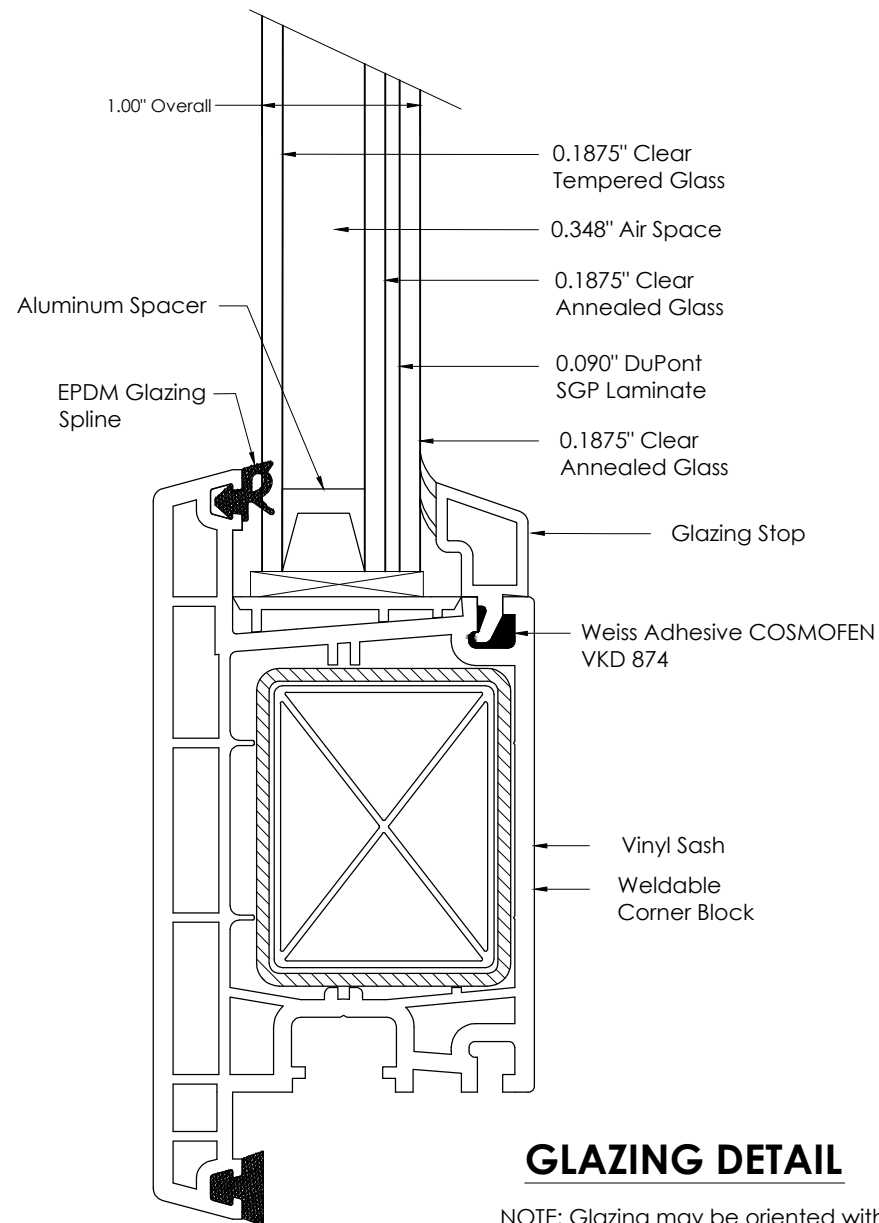
Sheet 1 of 5



SECTION B — B

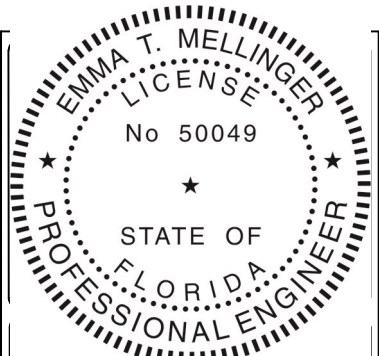
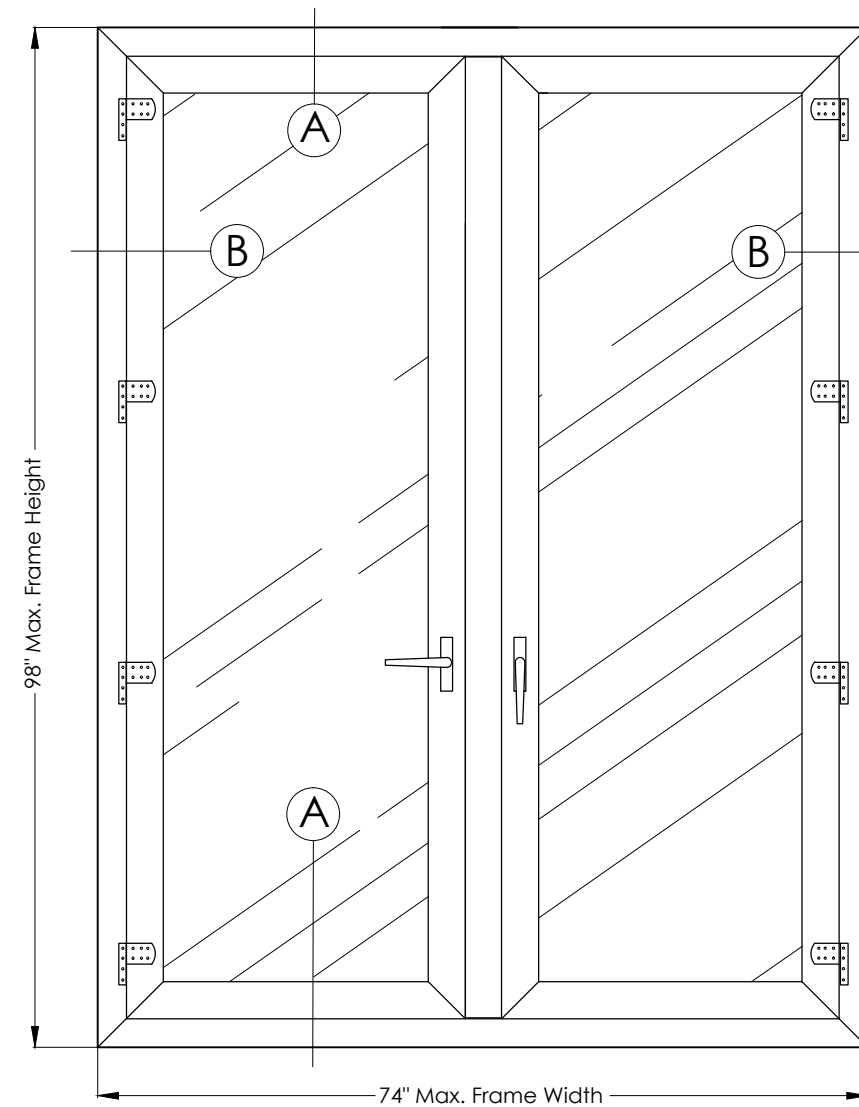


SECTION A — A



**GLAZING DETAIL**

NOTE: Glazing may be oriented with laminated layer to the interior (shown), or to the exterior.



**CATEGORY 1**  
Engineering Services, Inc.  
1600 S. Federal Highway, #207  
Pompano Beach, FL 33062  
(954) 784-6991 • CA #25854  
Emma T. Mellinger, P.E.  
FL PE #50049

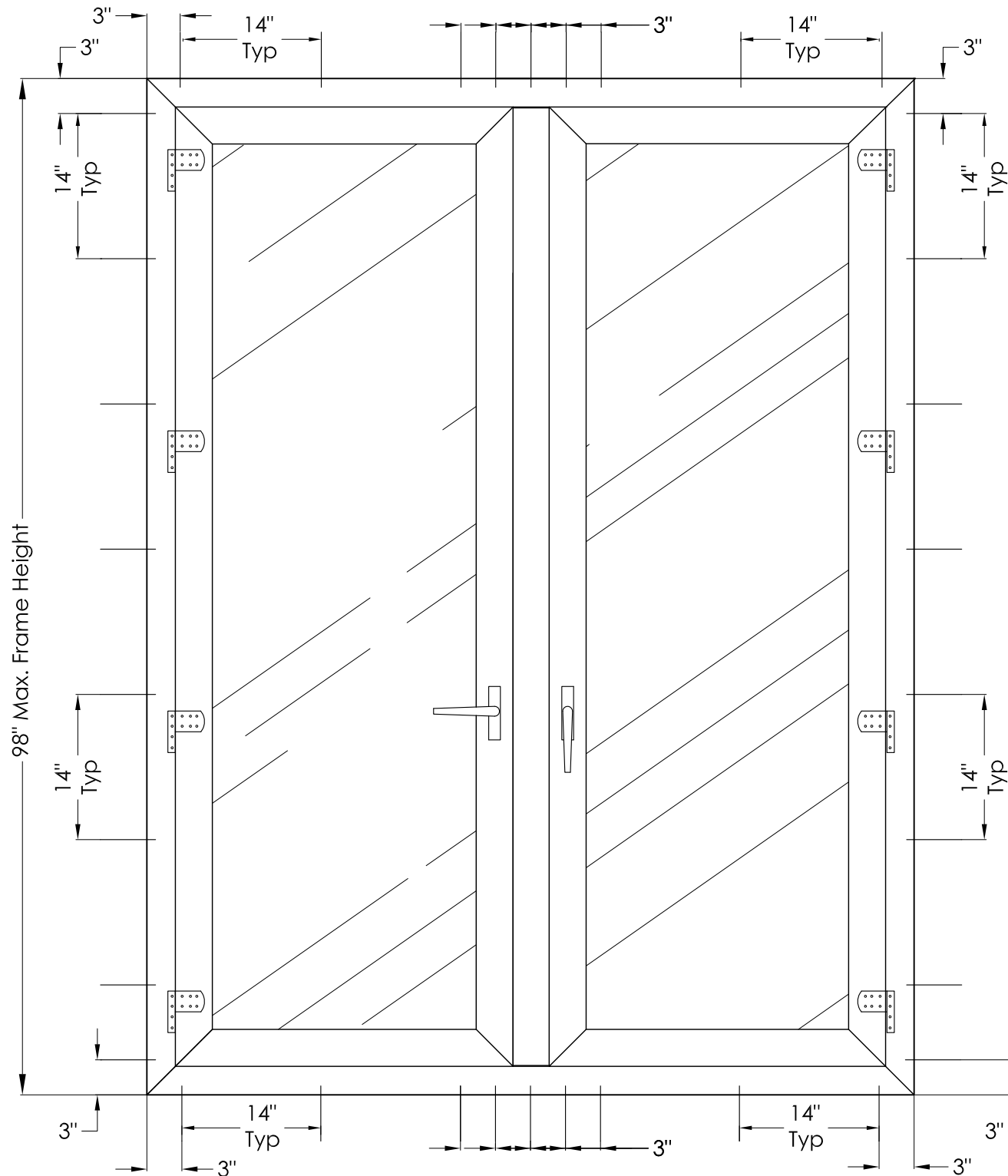
**4500-SERIES**  
**8'-0" OUTSWING FRENCH DOOR**  
**Large Missile Impact Resistant**

**EUROSTYLE**  
**IMPACT WINDOWS & DOORS**  
217 NW 4th Ave., Hallandale, FL 33009

DATE: 05 / 07 / 14		SCALE: AS NOTED		BY: ETM		REVISIONS	
1	04/28/15	EM	No Change This Sheet	NO.	DATE	BY	DESCRIPTION

**DRAWING No. :**  
EIWD4500OFD-80.dwg

Anchor Types and Spacings Referenced in This Elevation Correspond to the Anchor Schedule on Sheet 3. Spacings Provided are Maximums and Shall Not be Exceeded.



**4500-SERIES 8'-0" OUTSWING FRENCH DOOR**  
(Dry Glazed)  
Exterior Elevation

**INSTALLATION NOTES**

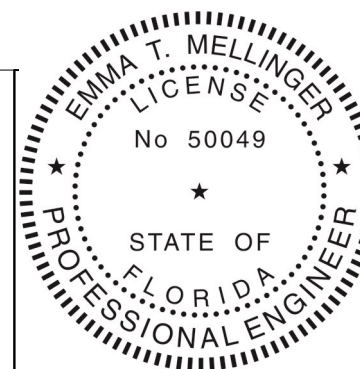
- Anchors Shall be of a Type Listed on This Sheet, Depending on the Substrate.
- Manufacturer's Vinyl Block Shall be Secured with Caulking at Each Anchor Location So That the Fastener Penetrates the Block, and No Portion of the Fastener is Exposed or Unsupported.
- Anchors Shall be Located a Maximum of 3" From Corners.
- A Cluster of (5) Anchors Shall be Located at the Center of the Head and Sill, Spaced 3" Max. o/c.
- The Balance of Anchors at the Head and Sill and Side Jambs Shall be Spaced at a Maximum of 14" o/c.
- Wood Bucks Shall Fully Back the Window Frame, Supporting its Entire Depth.
- A 1" x Wood Buck Shall be a Wood Buck Having a Thickness of Less Than 1 1/2" . 1" x Wood Bucks Shall be Optional if the Window Can be installed Directly to the Substrate.
- The Installation of 2" x Wood Bucks Shall be Engineered by Others, as Approved by the Authority Having Jurisdiction.
- A Structural Shim Shall be Used at Each Anchor Location Where a Gap of 1/8-inch or More Exists Between the Window Frame and the

Substrate. Such Shims Shall Extend the Entire Depth of the Frame, and be No More than 1/4-inch in Thickness, Unless Otherwise Specified.

- Anchor Embedments and Edge Distances Indicated Shall be Beyond Wall Dressing or Stucco, into Structural Substrate.

**ANCHORS SHALL BE OF THE FOLLOWING TYPES:**

- **TYPE I:** For Installation into **Concrete Substrates** (*fc min.* = 2730 psi), Use Approved 1/4" ELCO Ultracons of Sufficient Length to Achieve at Least 1 3/4" Embedment.
- **TYPE II:** For Installation into **CMU Substrates** (Hollow or Grout-Filled; *fc min.* = 1924 psi), Use Approved 1/4" ELCO Ultracons of Sufficient Length to Achieve at Least 1 1/4" Embedment. **NOTE:** Hollow CMU Substrate Shall be Permitted at Jambs Only.
- **TYPE III:** For Installation into **Wood Substrates**, Use #12 Self-Drilling Screws (Hilti Kwik-Flex or Eq.), of Sufficient Length to Achieve at Least 1 1/2" Embedment.
- **TYPE IV:** For Installation into **Metal Substrates**, at Least 1/8" Thick, Use #12 Self-Drilling Screws (Hilti Kwik-Flex or Eq.), of Sufficient Length to Achieve a Minimum Penetration through the Metal of Three Full Thread Pitches. No Shim Space is Permitted.



**CATEGORY 5**  
Engineering Services, Inc.

1600 S. Federal Highway, #207  
Pompano Beach, FL 33062  
(954) 784-6991 • CA #25854

Emma T. Mellinger, P.E.  
FL PE #50049

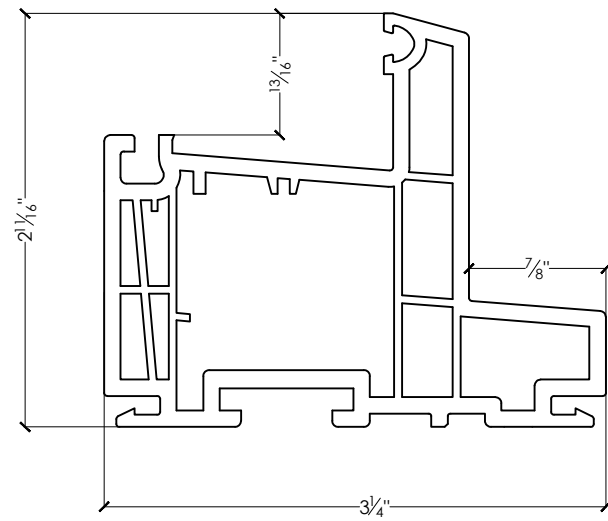
**4500-SERIES**  
**8'-0" OUTSWING FRENCH DOOR**  
Large Missile Impact Resistant

**EUROSTYLE**  
**IMPACT WINDOWS & DOORS**  
217 NW 4th Ave., Hallandale, FL 33009

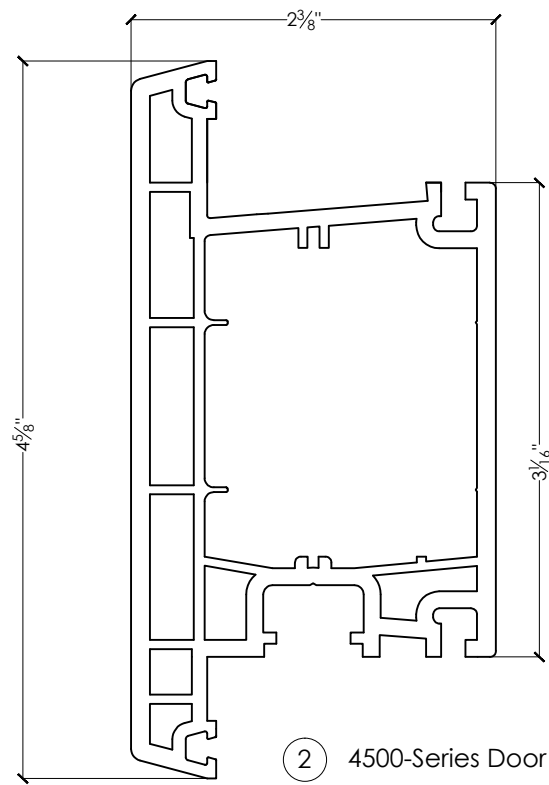
DATE: 05 / 07 / 14	SCALE: AS NOTED	BY: ETM	REVISIONS	NO.	DATE	BY	DESCRIPTION
				1	04/28/15	EM	Corrected Maximum Door Height

**DRAWING No. :**  
EIWD4500OFD-80.dwg

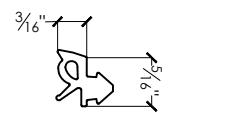




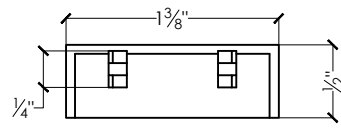
① 4500-Series Frame



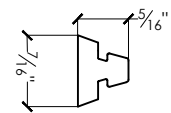
② 4500-Series Door Sash



⑧ Glazing Spline



⑫ Drain Cover Cap



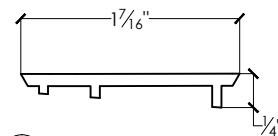
⑨ Sealing Spline



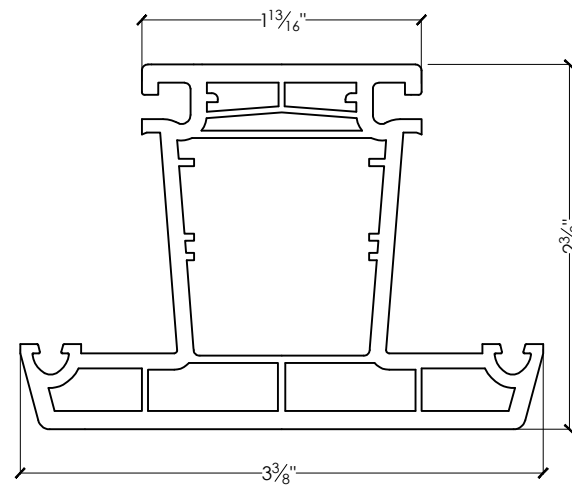
⑬ Plug Button

**KEY and BILL OF MATERIALS**

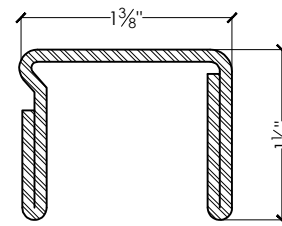
Item #	Part #	Description	Material	Vendor
1	601205	Frame	Vinyl	Rehau
2	541150	Sash	Vinyl	Rehau
3	554091	T-Mullion	Vinyl	Rehau
5	244536	Frame Reinforcement (Type II)	Galv. Steel	Rehau
6	251886	Door Sash Reinforcement	Galv. Steel	Rehau
7	560600	Glazing Stop	Vinyl	Rehau
8	864992	Glazing Spline	EPDM	Rehau
9	864952	Sealing Spline	EPDM	Rehau
-	-	Multi-point Lockset	Steel	Roto Frank
10	234300	Weldable Corners	Vinyl	Rehau
11	254315	T-Mullion End Caps	Vinyl	Rehau
12	261582	Drain Cover Caps	Vinyl	Rehau
13	13856-034	Plug Buttons	Vinyl	Ashland
14	541220	Sloped Sill Shim	Vinyl	Rehau
-	-	Hinges (4 per Leaf)	Steel	Roto Frank
15	241043	Distance Block	Vinyl	Rehau



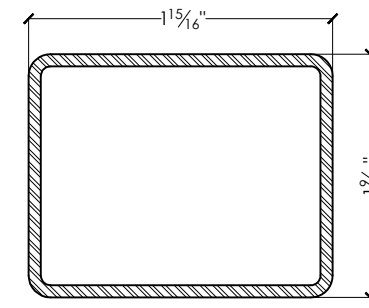
⑭ Sloped Sill Shim



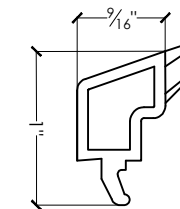
③ 4500-Series T-Mullion



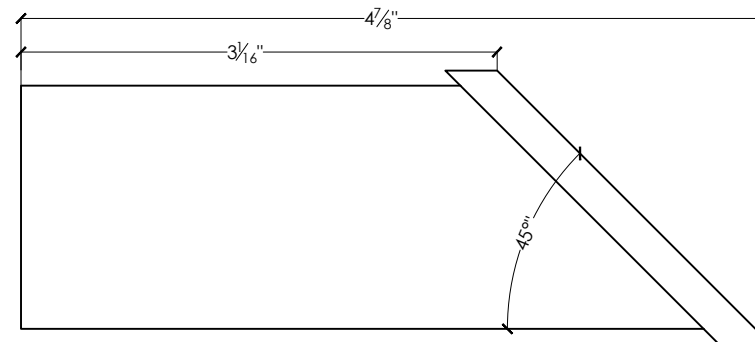
⑤ 4500-Series Frame Reinforcement (Type II)



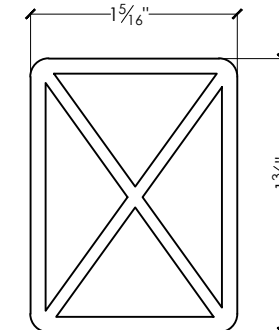
⑥ 4500-Series Door Sash Reinforcement



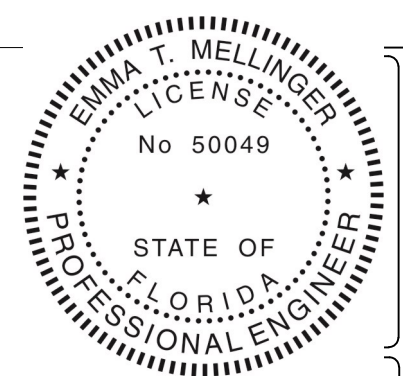
⑦ Glazing Stop



⑩ Weldable Corner Block - Side View



End View



**CATEGORY 5**  
Engineering Services, Inc.

1600 S. Federal Highway, #207  
Pompano Beach, FL 33062  
(954) 784-6991 • CA #25854

Emma T. Mellinger, P.E.  
FL PE #50049

**4500-SERIES**  
**8'-0" OUTSWING FRENCH DOOR**  
**Large Missile Impact Resistant**

**EUROSTYLE**  
**IMPACT WINDOWS & DOORS**  
217 NW 4th Ave., Hallandale, FL 33009

DATE: 05 / 07 / 14

SCALE: AS NOTED

BY: ETM

REVISIONS

NO.	DATE	BY	DESCRIPTION
1	04/28/15	EM	No Change This Sheet

DRAWING No. :

EIWD4500OFD-80.dwg

Sheet 5 of 5