



1 COCHRANE AVE. PENNSBORO, WV 26415 PH.  
800-426-2249

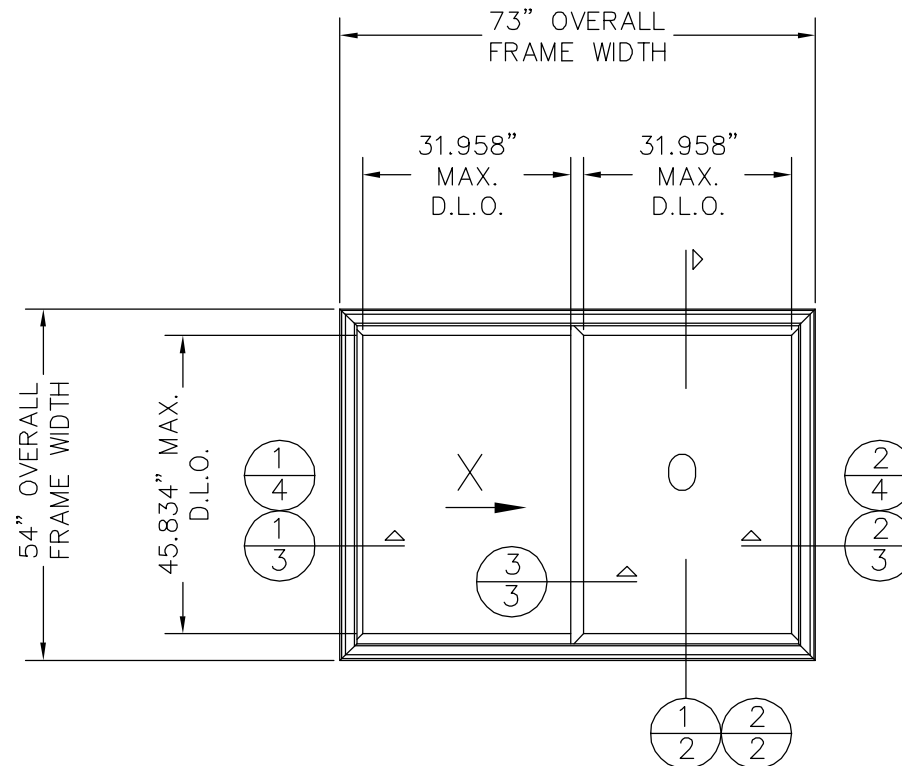
# STORMBREAKER PLUS 300VL IMPACT RESISTANT VINYL HORIZONTAL ROLLER WINDOW

MODELS ARE VIEWED FROM THE EXTERIOR

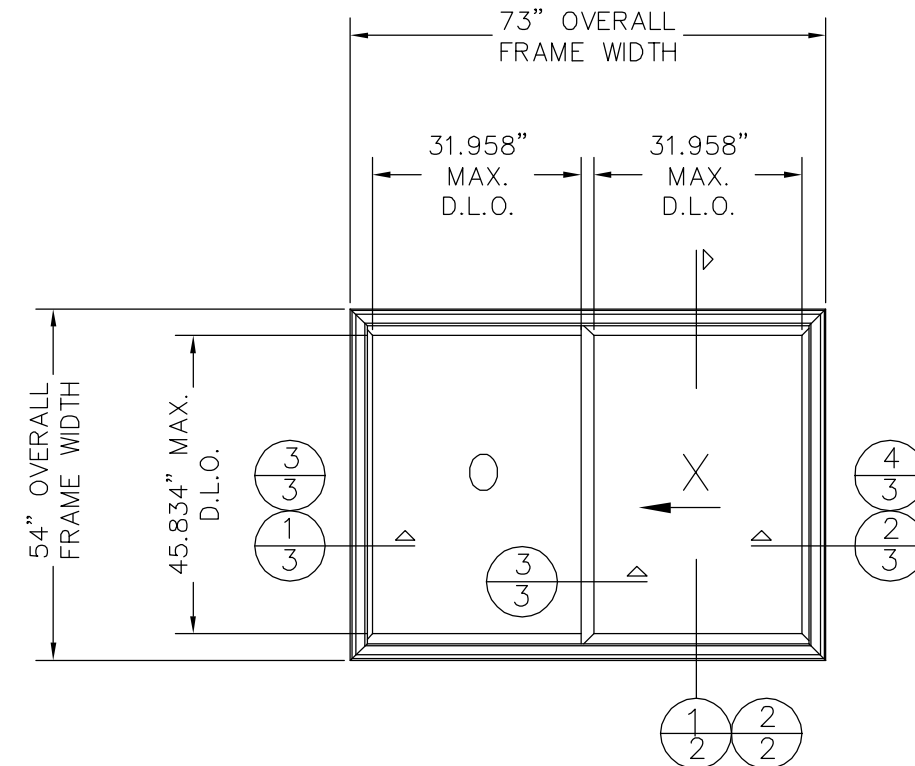
REV. #:	REVISIONS:	REVISED BY:	DATE:
1	UPDATED FOR 5TH ED. (2014) FBC	LAT	4/27/2015
2	UPDATED GLAZING DETAILS WITH SPACER.	LMH	03/20/17
.	.	.	.
.	.	.	.
.	.	.	.

**GENERAL NOTES:**

- THIS PRODUCT HAS BEEN DESIGNED AND TESTED TO COMPLY WITH THE 5TH EDITION (2014) FLORIDA BUILDING CODES, INCLUDING THE HIGH VELOCITY HURRICANE ZONE.
- BASED ON LABORATORY TESTING, THIS PRODUCT IS COMPLIANT WITH TAS 201/202/203 FOR LARGE MISSILE IMPACT PERFORMANCE. SHUTTERS ARE NOT REQUIRED.
- GLAZING AS INDICATED HEREIN COMPLIES WITH ASTM E 1300-04
- HIGH QUALITY SILICONE CAULK SHALL BE USED AROUND ENTIRE WINDOW PERIMETER, INSIDE AND OUT, BY INSTALLER.
- WOOD BUCKS (BY OTHERS) MUST SUSTAIN ALL IMPOSED LOADS. THE CONTRACTOR IS RESPONSIBLE FOR MAINTAINING WINDOW OPENING AND ALL WOOD FRAMING AROUND WINDOW. WOOD BUCKS, BY OTHERS, MUST BE PROPERLY ANCHORED TO TRANSFER LOADS TO THE STRUCTURE AS APPROVED BY THE AUTHORITY HAVING JURISDICTION.
- SEALING AND FLASHING STRATEGIES FOR OVERALL WATER INFILTRATION RESISTANCE OF INSTALLED PRODUCT ARE THE RESPONSIBILITY OF OTHERS.
- ALL FASTENERS PENETRATING INTO PRESSURE TREATED WOOD SHALL BE CAPABLE OF PREVENTING CORROSION DUE TO REACTION WITH PRESSURE TREATMENT CHEMICALS. ANY DISSIMILAR MATERIALS THAT COME INTO CONTACT SHALL BE PROTECTED TO PREVENT GALVANIC REACTIONS IN ACCORDANCE WITH CODE REQUIREMENTS.
- A WINDLOAD DURATION FACTOR  $C_d = 1.6$  WAS USED FOR THE ANALYSIS OF WOOD SCREWS ONLY.

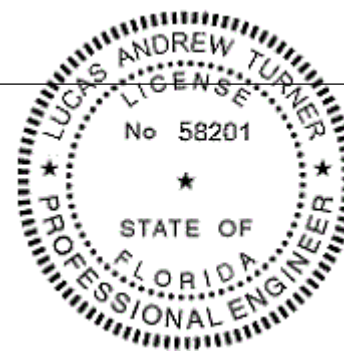


DESIGN PRESSURE RATING	IMPACT RATING
+50.0 PSF -50.0 PSF	LARGE MISSILE



DESIGN PRESSURE RATING	IMPACT RATING
+50.0 PSF -50.0 PSF	LARGE MISSILE

TABLE OF CONTENTS	
SHEET #	DESCRIPTION
1	GENERAL NOTES & TYPICAL ELEVATIONS
2	VERTICAL CROSS SECTIONS (1X & 2X BUCKS)
3	HORIZONTAL CROSS SECTIONS (2X BUCK) & MEETING RAILS
4	HORIZONTAL CROSS SECTIONS (1X BUCK)
5	ANCHORING LOCATIONS & GLAZING DETAILS
6	COMPONENTS & BILL OF MATERIALS



22  
3/20/2017  
LUCAS A. TURNER, FL P.E. #58201  
TURNER ENGINEERING &  
CONSULTING, INC., FBPE COA #29779  
1239 JABARA AVE., NORTH PORT, FL  
PH. 941-380-1574, FAX 941-584-8591

**SIMONTON WINDOWS**  
1 Cochrane Avenue  
Pennsboro, WV 26415

SIZE: DRAWING NO.: REV.:  
B DA0012 2

DRAWN BY: DATE:  
T.D.D. 05/13/13

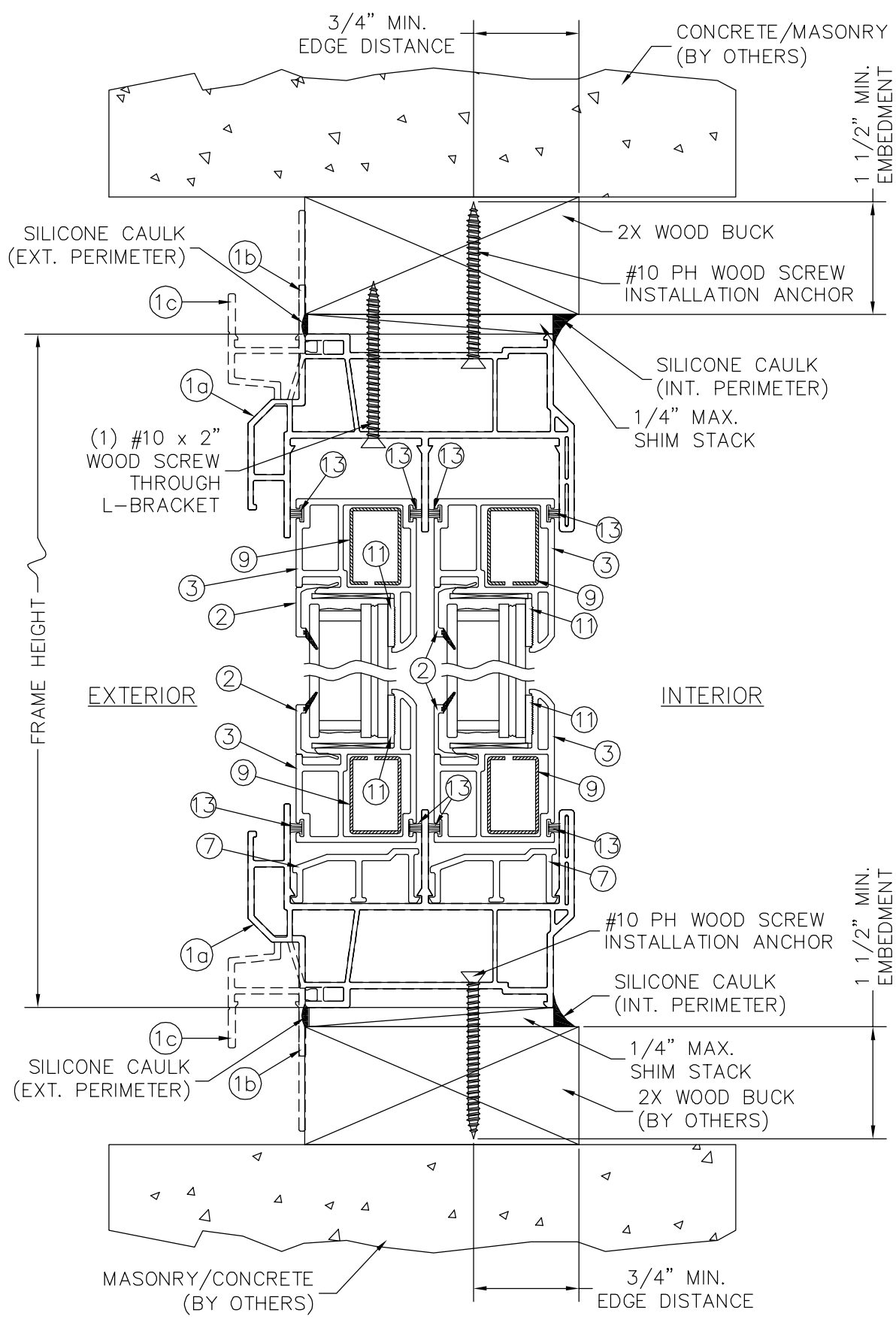
CHECKED BY: DATE:

SCALE: FIT SHEET: 1 of 6 APPR'VD BY: DATE:

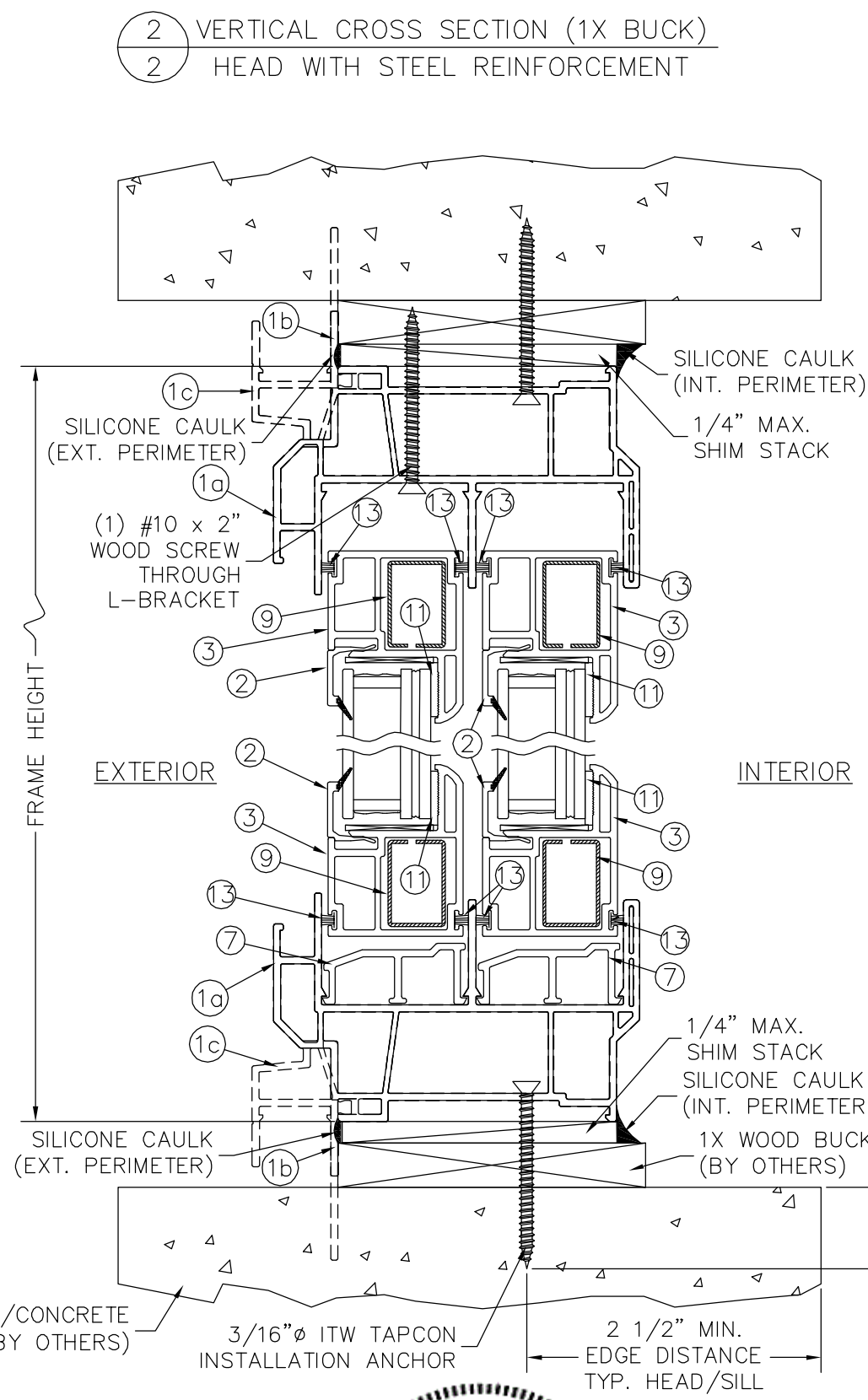
SERIES: STORMBREAKER PLUS 300VL HORIZONTAL ROLLER

TITLE: GENERAL NOTES & TYPICAL ELEVATIONS

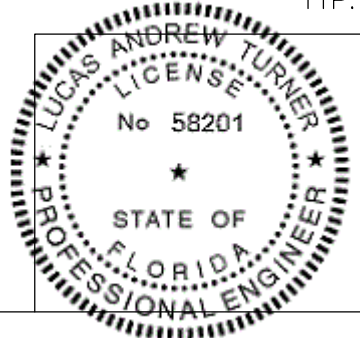
REV. #:	REVISIONS:	REVISED BY:	DATE:
1	UPDATED FOR 5TH ED. (2014) FBC	LAT	4/27/2015
2	UPDATED GLAZING DETAILS WITH SPACER.	LMH	03/20/17
.	.	.	.
.	.	.	.
.	.	.	.



1 VERTICAL CROSS SECTION (2X BUCK)  
2 HEAD WITH STEEL REINFORCEMENT



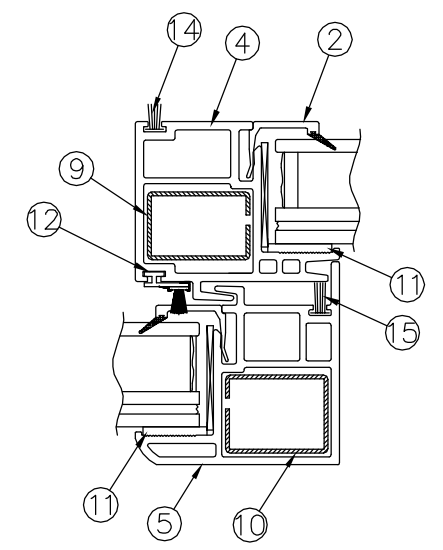
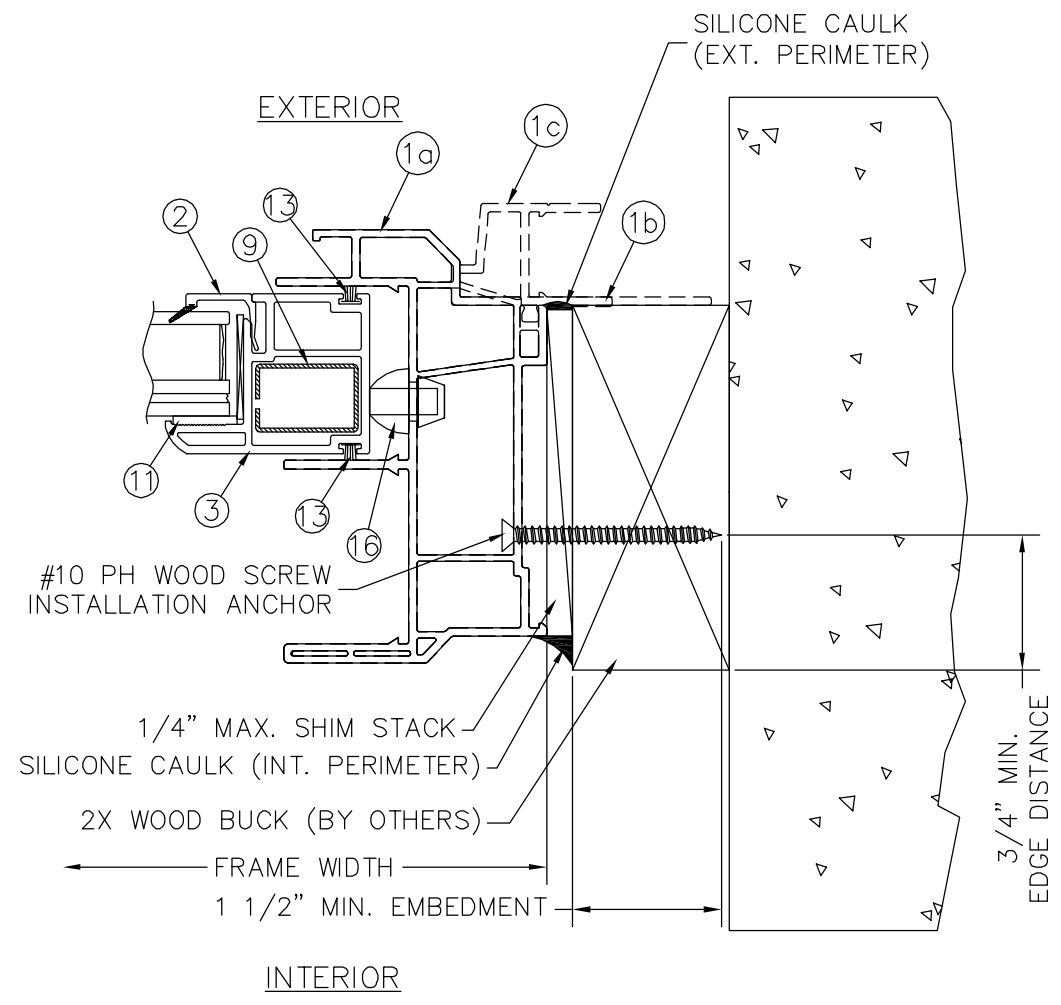
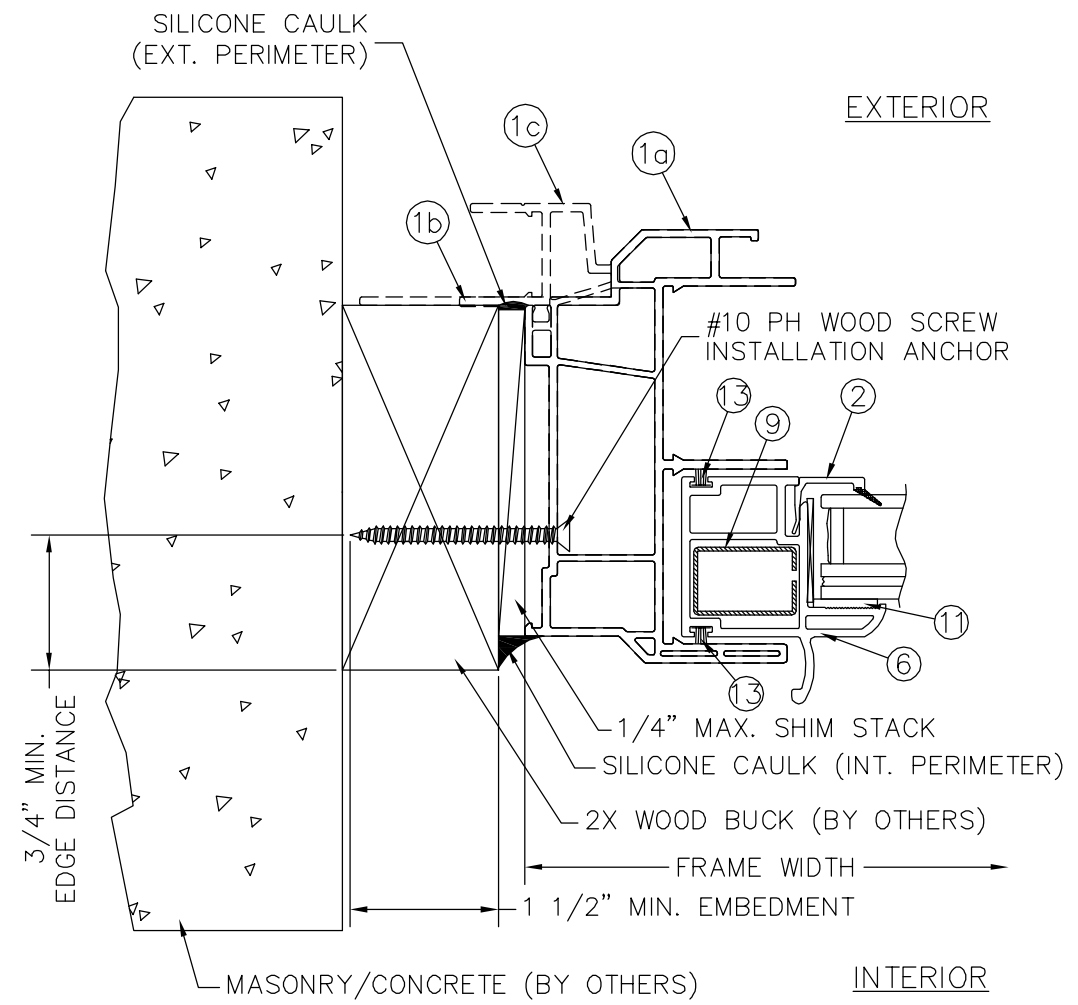
- NOTES:
1. REPLACE ONE L-BRACKET SCREW WITH A #10 X 2" INSTALLATION SCREW. (APPROX. 1 3/4" FROM CENTERLINE)
  2. APPLY CAULK AROUND SCREWS AT THE SILL.
  3. SHIMS SHALL BE A "RIGID/STIFF" MATERIAL, PLASTIC OR METAL. SHIMS MUST BE USED WHEN GAP OF GREATER THAN 1/16" BETWEEN FRAME AND OPENING IS PRESENT AT THE ANCHOR LOCATION. MAX. SHIM STACK = 1/4".
  4. ONLY MIAMI-DADE COUNTY APPROVED CORROSION RESISTANT FASTENERS AND ELCO ULTRACON FASTENERS SHALL BE USED. WINDOW INSTALLERS SHALL FOLLOW ALL MANUFACTURER'S INSTRUCTIONS.
  5. WOOD SHALL BE SPRUCE-PINE-FIR MIN. WITH G=0.42 MIN. MASONRY SHALL BE 2 KSI MIN. CONCRETE OR ASTM C90 CMU (117 PCF MIN.)



3/20/2017  
LUCAS A. TURNER, FL P.E. #58201  
TURNER ENGINEERING & CONSULTING, INC., FBPE COA #29779  
1239 JABARA AVE., NORTH PORT, FL  
PH. 941-380-1574, FAX 941-584-8591

		SIZE: DRAWING NO.: B DA0012	REV.: 2
DRAWN BY: T.D.D.	DATE: 05/13/13	1 Cochrane Avenue Pennsboro, WV 26415	
CHECKED BY:	DATE:	SCALE: FIT	SHEET: 2 of 6
APPR'VD BY:	DATE:	SERIES: STORMBREAKER PLUS 300VL HORIZONTAL ROLLER	
TITLE: VERTICAL CROSS SECTIONS			

REV. #:	REVISIONS:	REVISED BY:	DATE:
1	UPDATED FOR 5TH ED. (2014) FBC	LAT	4/27/2015
2	UPDATED GLAZING DETAILS WITH SPACER.	LMH	03/20/17
.	.	.	.
.	.	.	.
.	.	.	.



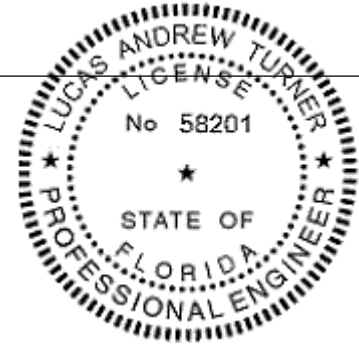
3 HORIZONTAL CROSS SECTION  
3 MTG. RAILS WITH STEEL REINFORCEMENT

1 HORIZONTAL CROSS SECTION (2X BUCK)  
3 FIXED JAMB WITH STEEL REINFORCEMENT

2 HORIZONTAL CROSS SECTION (2X BUCK)  
3 OPER. JAMB WITH STEEL REINFORCEMENT

NOTES:

- SHIMS SHALL BE A "RIGID/STIFF" MATERIAL, PLASTIC OR METAL. SHIMS MUST BE USED WHEN GAP OF GREATER THAN 1/16" BETWEEN FRAME AND OPENING IS PRESENT AT THE ANCHOR LOCATION. MAX. SHIM STACK = 1/4".
- ONLY MIAMI-DADE COUNTY APPROVED CORROSION RESISTANT FASTENERS AND ELCO ULTRA CON FASTENERS SHALL BE USED. WINDOW INSTALLERS SHALL FOLLOW ALL MANUFACTURER'S INSTRUCTIONS.
- WOOD SHALL BE SPRUCE-PINE-FIR MIN. WITH G=0.42 MIN. MASONRY SHALL BE 2 KSI MIN. CONCRETE OR ASTM C90 CMU (117 PCF MIN.)



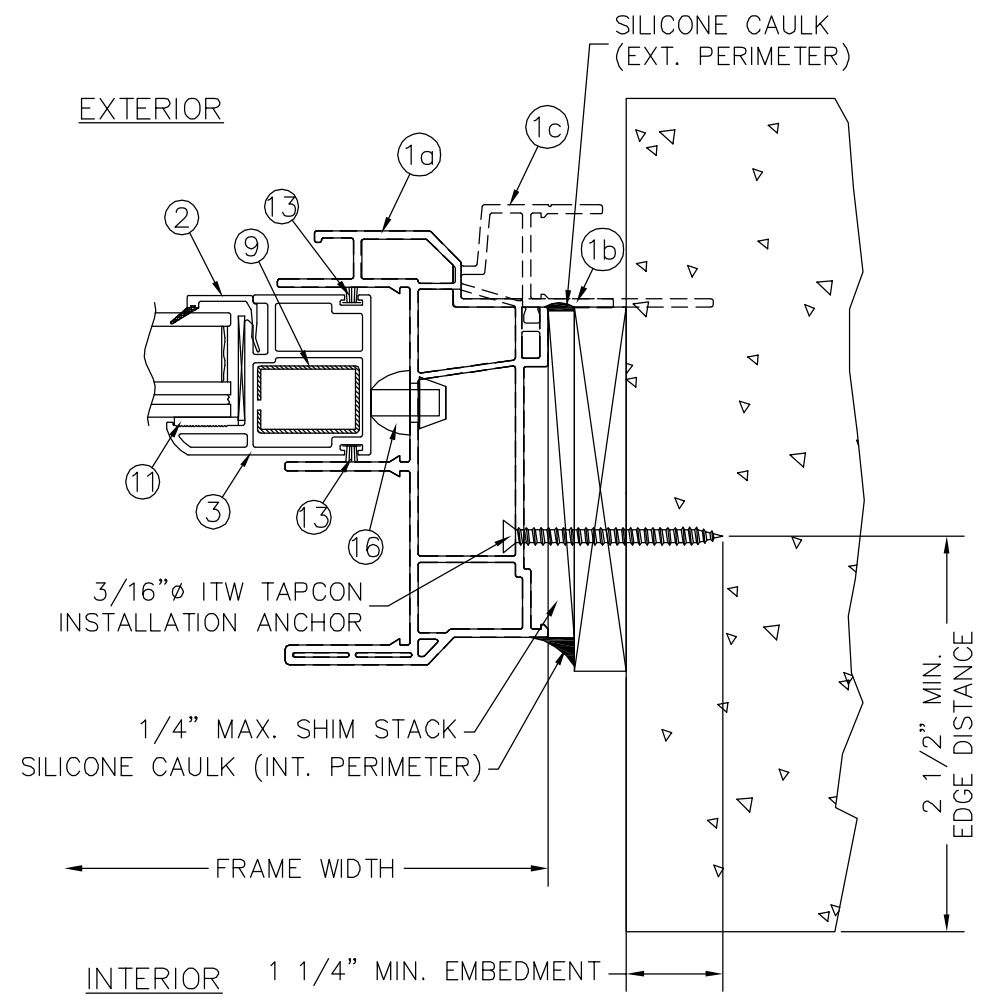
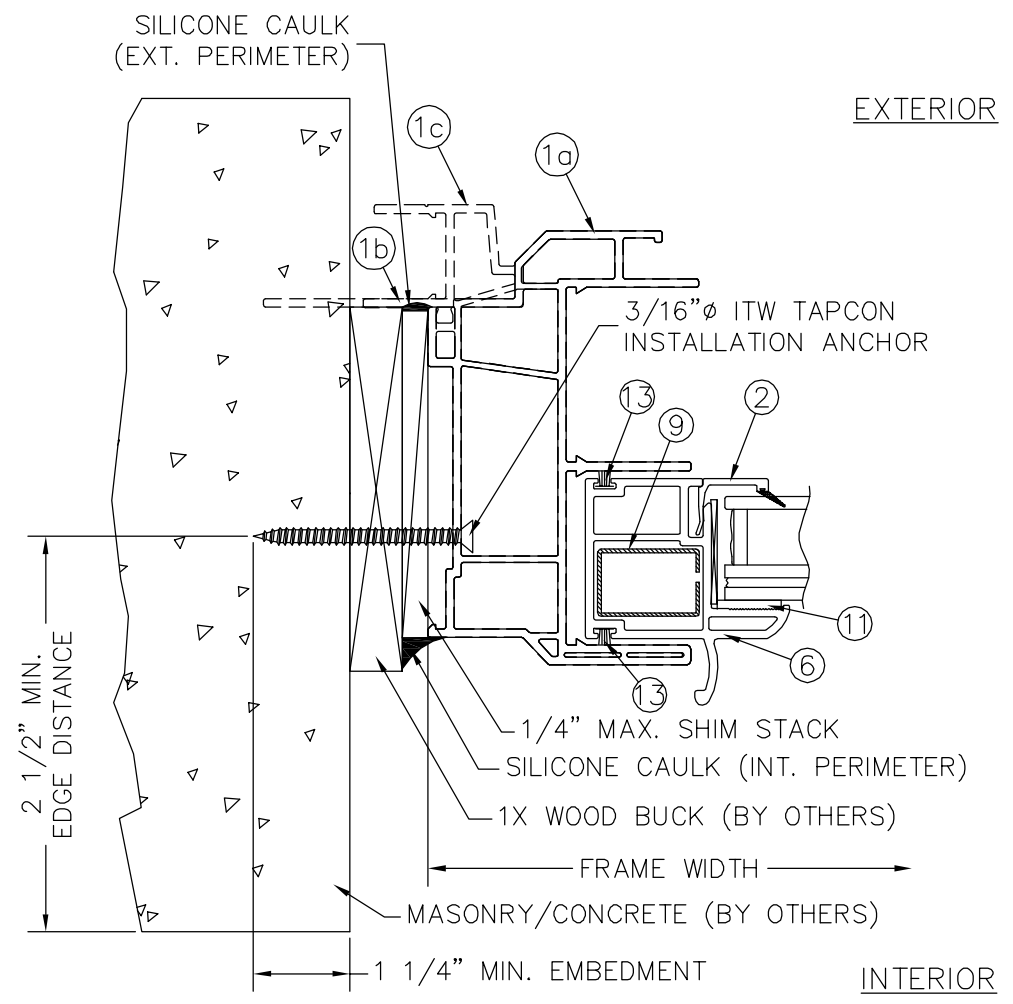
*LT*  
3/20/2017  
LUCAS A. TURNER, FL P.E. #58201  
TURNER ENGINEERING &  
CONSULTING, INC., FBPE COA #29779  
1239 JABARA AVE., NORTH PORT, FL  
PH. 941-380-1574, FAX 941-584-8591

**SIMONTON**  
WINDOWS  
1 Cochrane Avenue  
Pennsboro, WV 26415

SCALE: FIT	SHEET: 3 of 6	APPR'VD BY: DATE:
SERIES: STORMBREAKER PLUS 300VL HORIZONTAL ROLLER	TITLE: HORIZONTAL CROSS SECTIONS (2X WOOD BUCK)	

SIZE: DRAWING NO.: B DA0012	REV.: 2
DRAWN BY: T.D.D.	DATE: 05/13/13
CHECKED BY: DATE:	

REV. #:	REVISIONS:	REVISED BY:	DATE:
1	UPDATED FOR 5TH ED. (2014) FBC	LAT	4/27/2015
2	UPDATED GLAZING DETAILS WITH SPACER.	LMH	03/20/17
.	.	.	.
.	.	.	.
.	.	.	.

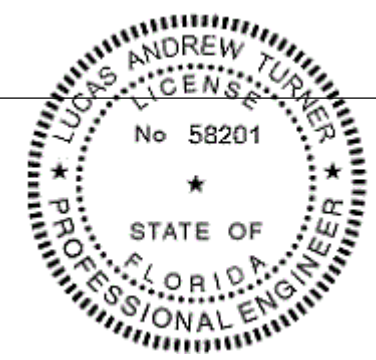


- 3 HORIZONTAL CROSS SECTION (1X BUCK)
- 3 FIXED JAMB WITH STEEL REINFORCEMENT

- 4 HORIZONTAL CROSS SECTION (1X BUCK)
- 3 OPER. JAMB WITH STEEL REINFORCEMENT

**NOTES:**

- SHIMS SHALL BE A "RIGID/STIFF" MATERIAL, PLASTIC OR METAL. SHIMS MUST BE USED WHEN GAP OF GREATER THAN 1/16" BETWEEN FRAME AND OPENING IS PRESENT AT THE ANCHOR LOCATION. MAX. SHIM STACK = 1/4".
- ONLY MIAMI-DADE COUNTY APPROVED CORROSION RESISTANT FASTENERS AND ELCO ULTRACON FASTENERS SHALL BE USED. WINDOW INSTALLERS SHALL FOLLOW ALL MANUFACTURER'S INSTRUCTIONS.
- WOOD SHALL BE SPRUCE-PINE-FIR MIN. WITH G=0.42 MIN. MASONRY SHALL BE 2 KSI MIN. CONCRETE OR ASTM C90 CMU (117 PCF MIN.)

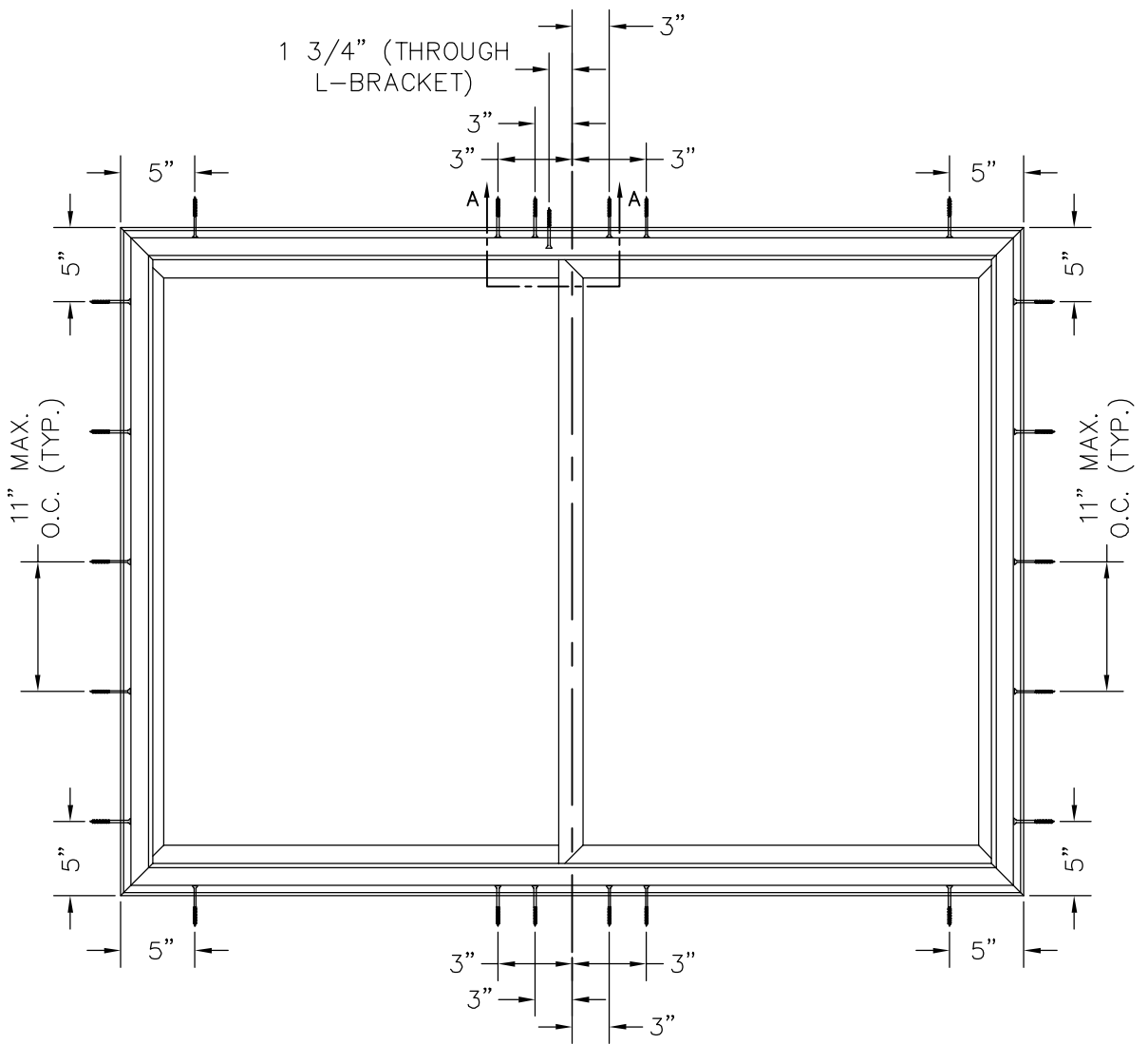


3/20/2017  
**LUCAS A. TURNER, FL P.E. #58201**  
 TURNER ENGINEERING &  
 CONSULTING, INC., FBPE COA #29779  
 1239 JABARA AVE., NORTH PORT, FL  
 PH. 941-380-1574, FAX 941-584-8591

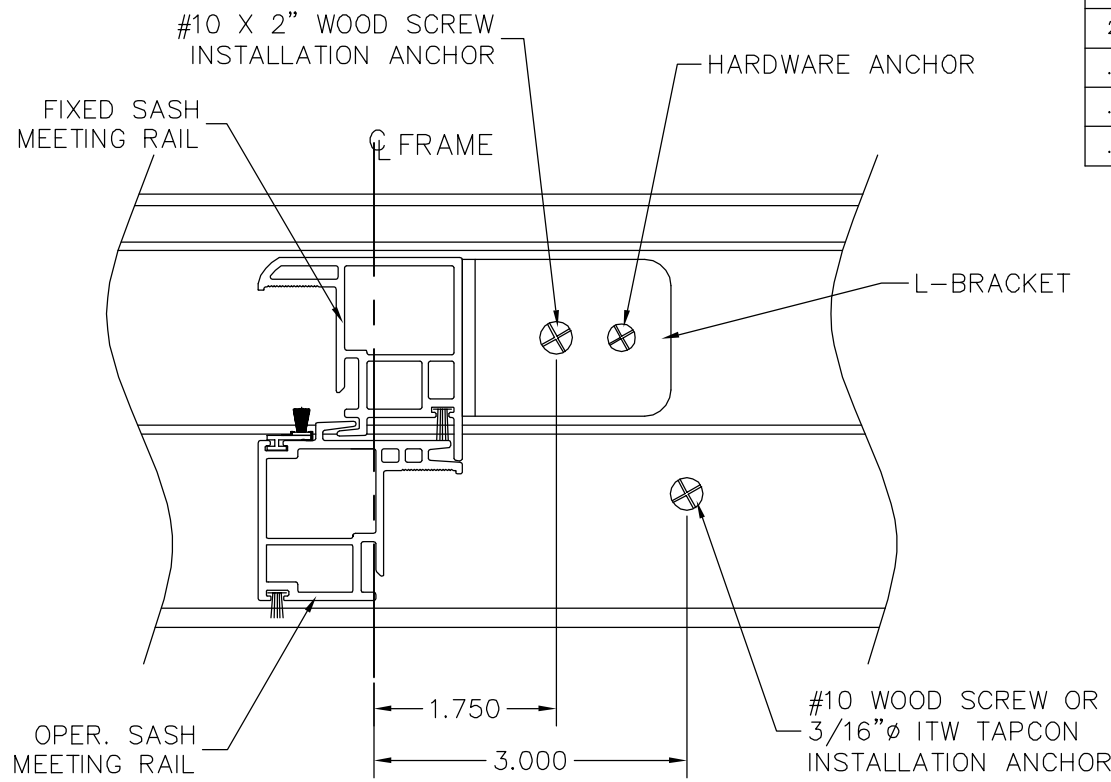
**SIMONTON**  
 WINDOWS  
 1 Cochrane Avenue  
 Pennsboro, WV 26415

SIZE: DRAWING NO.:	REV.:
B DA0012	2
DRAWN BY:	DATE:
T.D.D.	05/13/13
CHECKED BY:	DATE:
APPR'VD BY:	DATE:
SCALE: FIT	SHEET: 4 of 6
SERIES: STORMBREAKER PLUS 300VL HORIZONTAL ROLLER	
TITLE: HORIZONTAL CROSS SECTIONS (1X WOOD BUCK)	

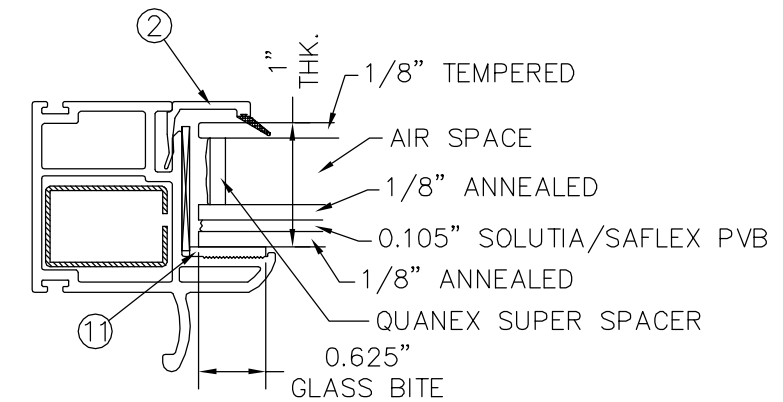
REV. #:	REVISIONS:	REVISED BY:	DATE:
1	UPDATED FOR 5TH ED. (2014) FBC	LAT	4/27/2015
2	UPDATED GLAZING DETAILS WITH SPACER.	LMH	03/20/17
.	.	.	.
.	.	.	.
.	.	.	.



ANCHOR LAYOUT  
73" x 54" HORIZONTAL ROLLER



SECTION A-A  
L-BRACKET DETAIL



GLAZING DETAIL  
WITH SOLUTIA/SAFLEX LAMINATE

- NOTES:
1. WHEN ANCHORING WINDOW TO A 2X WOOD BUCK, USE #10 SCREWS OF SUFFICIENT LENGTH TO ACHIEVE A MINIMUM OF 1 1/2" EMBEDMENT INTO THE WOOD.
  2. WHEN ANCHORING WINDOW TO A 1X WOOD BUCK AND MASONRY/CONCRETE, USE 3/16"Ø ITW TAPCON ANCHORS OF SUFFICIENT LENGTH TO ACHIEVE 1 1/4" MINIMUM EMBEDMENT INTO THE MASONRY/CONCRETE.
  3. SEE SHEETS 2 THROUGH 4 FOR ADDITIONAL ANCHORAGE INFORMATION.



72  
3/20/2017  
LUCAS A. TURNER, FL P.E. #58201  
TURNER ENGINEERING &  
CONSULTING, INC., FBPE COA #29779  
1239 JABARA AVE., NORTH PORT, FL  
PH. 941-380-1574, FAX 941-584-8591

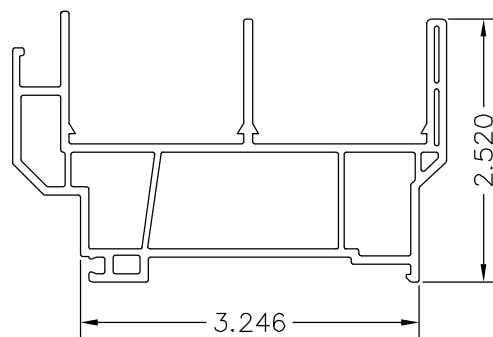
**SIMONTON**  
WINDOWS  
1 Cochrane Avenue  
Pennsboro, WV 26415

SIZE: DRAWING NO.:	REV.:
B DA0012	2
DRAWN BY:	DATE:
T.D.D.	05/13/13
CHECKED BY:	DATE:
SCALE: FIT	APPR'VD BY: DATE:
SHEET: 5 of 6	
SERIES: STORMBREAKER PLUS 300VL HORIZONTAL ROLLER	
TITLE: ANCHORING LOCATIONS & GLAZING DETAILS	

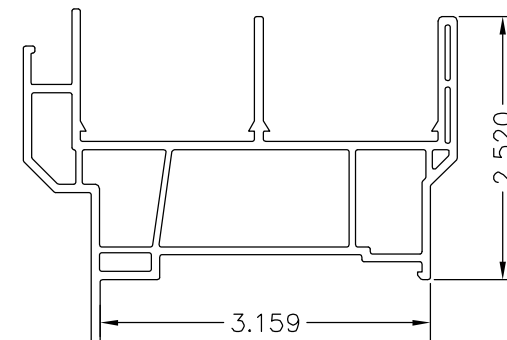
BILL OF MATERIALS

ITEM #	DESCRIPTION	MANUFACTURER
1a	SL0901S VINYL FRAME (HEAD/JAMB/SILL)	SIMEX, INC.
1b	SL1101S VINYL FRAME WITH FLANGE	SIMEX, INC.
1c	SL1201S VINYL FRAME WITH NAILING FIN/J-CHANNEL	SIMEX, INC.
2	BV18 VINYL GLAZING BEAD FOR 1" I.G.U.	SIMEX, INC.
3	SL75S VINYL COMMON SASH	SIMEX, INC.
4	SL74S VINYL KEEPER SASH	SIMEX, INC.
5	SL77S VINYL LOCK STILE	SIMEX, INC.
6	SL79S VINYL PULL STILE	SIMEX, INC.
7	V355 VINYL HEAD/SILL TRACK INSERT	SIMEX, INC.
8	6063-T5 ALUMINUM L-BRACK (HEAD/SILL)	TRUTH
9	SIMRECT1 GALVANIZED STEEL REINFORCEMENT	HYGRADE
10	SIMRECT2 GALVANIZED STEEL REINFORCEMENT	HYGRADE
11	896-HIS GLAZING COMPOUND	PECORA
12	OFFSET FINSEAL WEATHERSTRIPPING	AMESBURY
13	0.250" FINSEAL WEATHERSTRIPPING	AMESBURY
14	0.340" FINSEAL WEATHERSTRIPPING	AMESBURY
15	0.460" FINSEAL WEATHERSTRIPPING	AMESBURY
16	VINYL PRESS FIT BUMPER STOPS	KASO

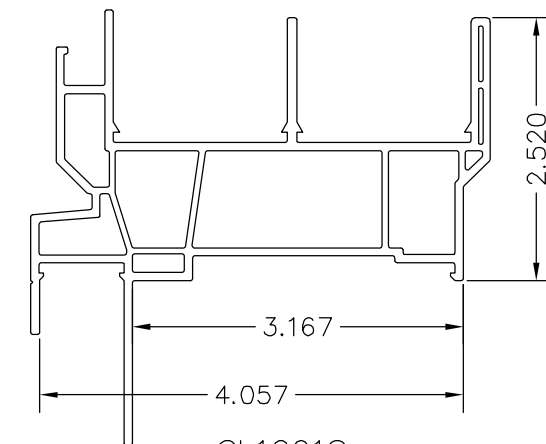
REV. #	REVISIONS:	REVISED BY:	DATE:
1	UPDATED FOR 5TH ED. (2014) FBC	LAT	4/27/2015
2	UPDATED GLAZING DETAILS WITH SPACER.	LMH	03/20/17
.	.	.	.
.	.	.	.
.	.	.	.



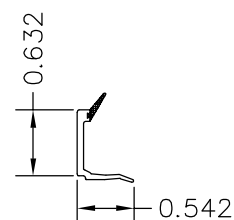
1a) SL0901S  
HORIZONTAL ROLLER FRAME  
0.079" EXT. WALL THK.  
0.060" INT. WALL THK.



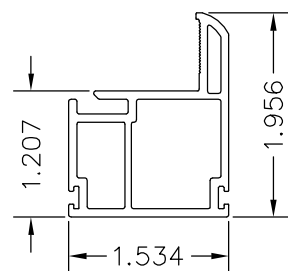
1b) SL1101S  
HORIZONTAL ROLLER FRAME WITH FLANGE  
0.079" EXT. WALL THK.  
0.060" INT. WALL THK.



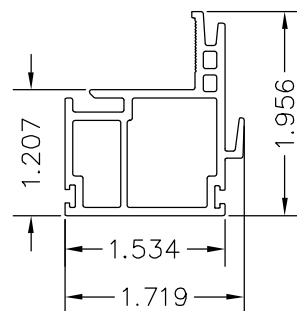
1c) SL1201S  
HORIZONTAL ROLLER FRAME WITH NAILING FIN & J-CHANNEL  
0.079" EXT. WALL THK.  
0.060" INT. WALL THK.



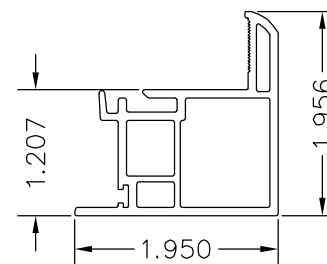
2) BV18  
GLAZING BEAD  
0.059" WALL THK.



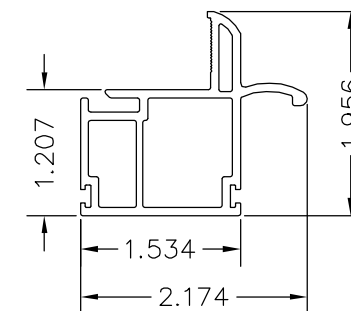
3) SL75S  
COMMON SASH  
0.079" EXT. WALL THK.  
0.059 INT. WALL THK.



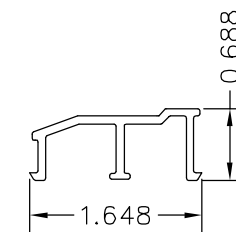
4) SL74S  
KEEPER SASH  
0.079" EXT. WALL THK.  
0.059 INT. WALL THK.



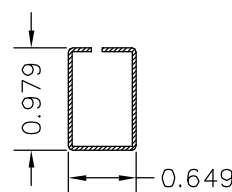
5) SL77S  
LOCK STILE  
0.079" EXT. WALL THK.  
0.059 INT. WALL THK.



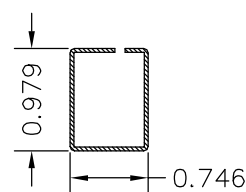
6) SL79S  
PULL STILE  
0.079" EXT. WALL THK.  
0.059 INT. WALL THK.



7) V355  
TRACK INSERT  
0.079" WALL THK.



9) SIMRECT1  
RAIL/STILE REINFORCEMENT  
0.036 GALV. STEEL



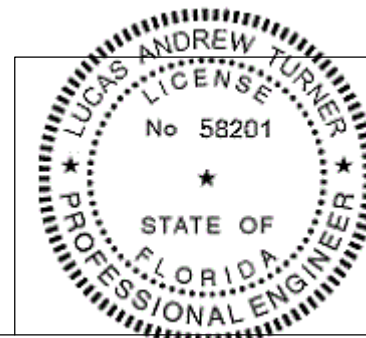
10) SIMRECT2  
LOCK RAIL REINFORCEMENT  
0.036" GALV. STEEL

12) OFFSET FINSEAL WEATHERSTRIPPING

13) 0.250" FINSEAL WEATHERSTRIPPING

14) 0.340" FINSEAL WEATHERSTRIPPING

15) 0.460" FINSEAL WEATHERSTRIPPING



22  
3/20/2017  
LUCAS A. TURNER, FL P.E. #58201  
TURNER ENGINEERING &  
CONSULTING, INC., FBPE COA #29779  
1239 JABARA AVE., NORTH PORT, FL  
PH. 941-380-1574, FAX 941-584-8591

**SIMONTON**  
WINDOWS  
1 Cochrane Avenue  
Pennsboro, WV 26415

SIZE: DRAWING NO.:	REV.:
B DA0012	2
DRAWN BY:	DATE:
T.D.D.	05/13/13
CHECKED BY:	DATE:
SCALE: FIT	APPR'VD BY: DATE:
SHEET: 6 of 6	
SERIES: STORMBREAKER PLUS 300VL HORIZONTAL ROLLER	
TITLE: BILL OF MATERIALS AND COMPONENTS	