

# SERIES 200 CURTAIN WALL SYSTEM

## FBC PRODUCT APPROVAL DRAWINGS

NOTES:

1. THE PRODUCT ILLUSTRATED SATISFIES THE REQUIREMENTS FOR THE 2014 FLORIDA BUILDING CODE NOT INCLUDING HVHZ.
2. THE INSTALLATION DRAWINGS DEPICTED WITHIN ARE NECESSARY TO MEET THE STRUCTURAL LOAD REQUIREMENTS. PLEASE SEE THE MANUFACTURER'S INSTALLATION INSTRUCTIONS FOR SEALING, FLASHING AND DRAINAGE REQUIREMENTS.
3. THIS PRODUCT IS NOT IMPACT RESISTANT AND THEREFORE AN APPROVED IMPACT PROTECTION SYSTEM IS REQUIRED FOR THIS PRODUCT IF IT IS INSTALLED IN A WIND BORNE DEBRIS AREA.
4. THE GLAZING FOR THESE UNITS SHALL BE 1" INSULATED GLASS CONSISTING OF TWO SHEETS OF 1/4" FT GLASS SEPARATED BY A 1/2" PVC SPACER AS PER ASTM 1300.
5. MAXIMUM ALLOWABLE SHIM STACK TO BE 1/2". SHIM ALL SPACES IN EXCESS OF 1/16".
6. WOOD FRAMING INSTALLATIONS ARE ASSUMED TO BE 2X S-P-F (G=0.42) OR DENSER. WOOD FRAMING SHALL BE GREATER THAN THE WINDOW FRAME WIDTH. TAPERED OR PARTIAL WOOD BUCKS ARE NOT ALLOWED. FOR INSTALLATION INTO WOOD FRAMING USE 3/8" FULL BODY LAG SCREWS WITH SUFFICIENT LENGTH TO OBTAIN A 3" PENETRATION. ANCHORS SHALL BE LOCATED AS DESCRIBED IN THE ELEVATION DETAIL.
7. CONCRETE INSTALLATIONS ASSUME A MINIMUM COMPRESSIVE STRENGTH FOR CONCRETE OF 3,200 PSI . USE A 3/8" POWERS TAPPER ANCHOR FOR INSTALLATION INTO CONCRETE. THE ANCHOR SHALL HAVE A MINIMUM OF 1-3/4" EMBEDMENT. ANCHORS SHALL BE LOCATED AS DESCRIBED IN THE ELEVATION DETAIL.
8. METAL FRAMING INSTALLATION SHALL BE A MINIMUM OF 18 GAUGE 33 KSI STRENGTH METAL. USE A 3/8-16 GRADE 2 BOLT WITH SUFFICIENT LENGTH TO ACHIEVE FULL PENETRATION OF THE METAL FRAMING AND EMBED 1/4" BEYOND THE DRILL POINT.
9. CORROSIVE RESISTANT FASTENERS SHALL BE USED.
10. WINDOW FRAME MATERIAL SHALL BE 6063-T5 ALUMINUM.
11. ALLOWABLE STRESS INCREASE OF 1/3 WAS NOT USED IN THE DESIGN OF THE PRODUCT SHOWN, WIND LOAD DURATION FACTOR Cd=1.6 WAS USED FOR WOOD ANCHOR CALCULATIONS.
12. UNITS SHALL BE INSTALLED AS DESCRIBED IN THESE INSTALLATION INSTRUCTIONS AND ALSO IN CONFORMANCE TO THE MANUFACTURER'S PUBLISHED INSTALLATION INSTRUCTIONS.
13. PRODUCT MAY BE INSTALLED TO UNLIMITED WIDTHS AS LONG AS THE OVER ALL ANCHOR SPACING DOES NOT EXCEED 109". THE MAXIMUM BAY WIDTH SHALL NOT EXCEED 60".
14. THE INSTALLATION DETAILS DESCRIBED HEREIN ARE GENERIC AND MAY NOT REFLECT ACTUAL CONDITIONS FOR A SPECIFIC SITE. IF SITE CONDITIONS CAUSE INSTALLATIONS TO DEVIATE FROM THE REQUIREMENTS DETAILED HEREIN, A LICENSED ENGINEER OR ARCHITECT SHALL PREPARE SITE SPECIFIC DOCUMENTS FOR USE WITH THIS DOCUMENT.

ANCHORAGE SCHEDULE AND DESCRIPTION				
SUBSTRATE	ANCHOR	EMBEDMENT	ANCHOR SPACING	EDGE DISTANCE
WOOD FRAMING	3/8" LAG SCREW	MINIMUM 3"	MINIMUM 2"	MINIMUM 2"
CONCRETE	3/8" TAPPER	MINIMUM 1-3/4"	MINIMUM 3"	MINIMUM 4"
STEEL STUD	3/8-16 GR.2 SMS	MINIMUM 1"	MINIMUM 2"	MINIMUM 2"

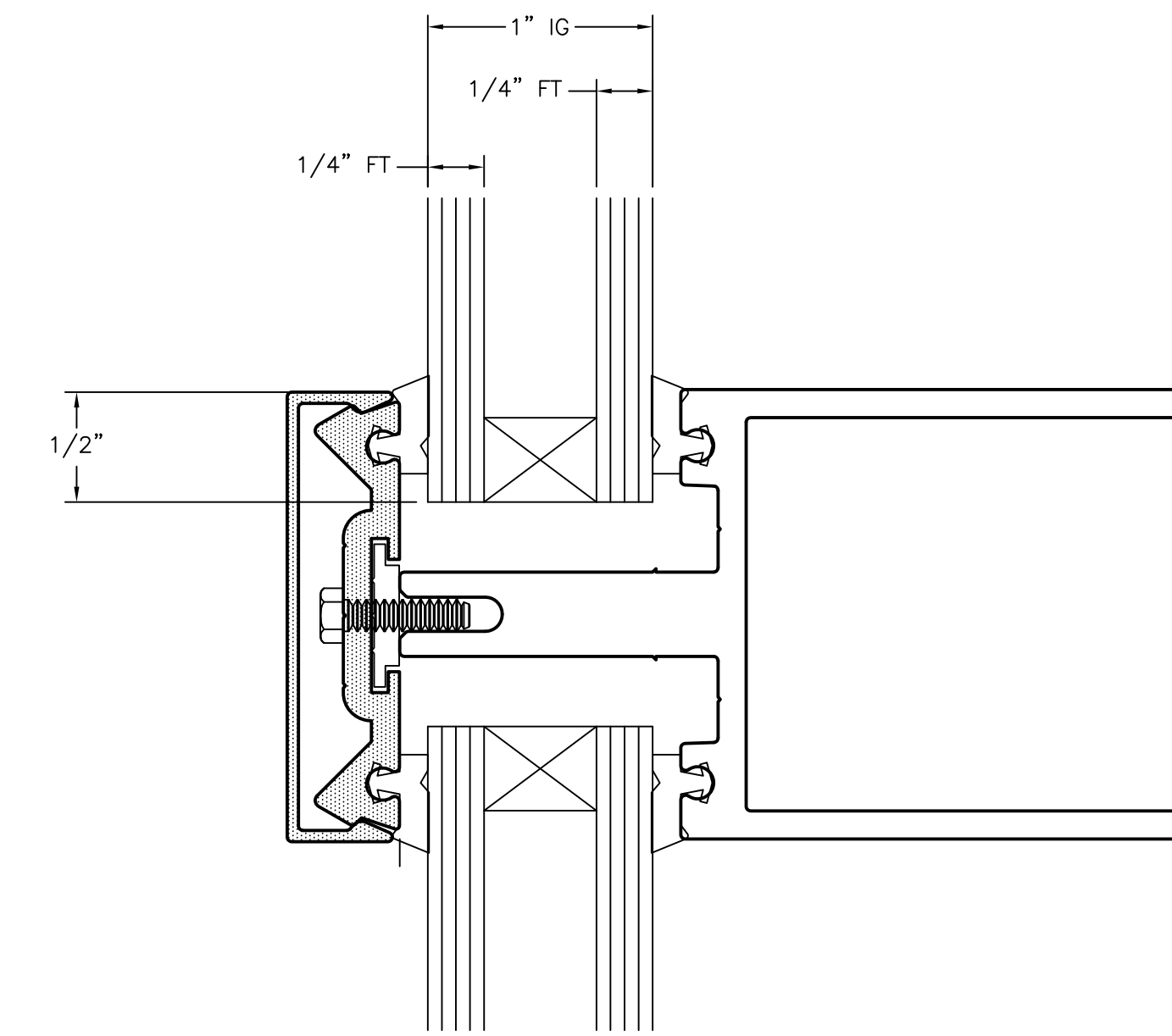
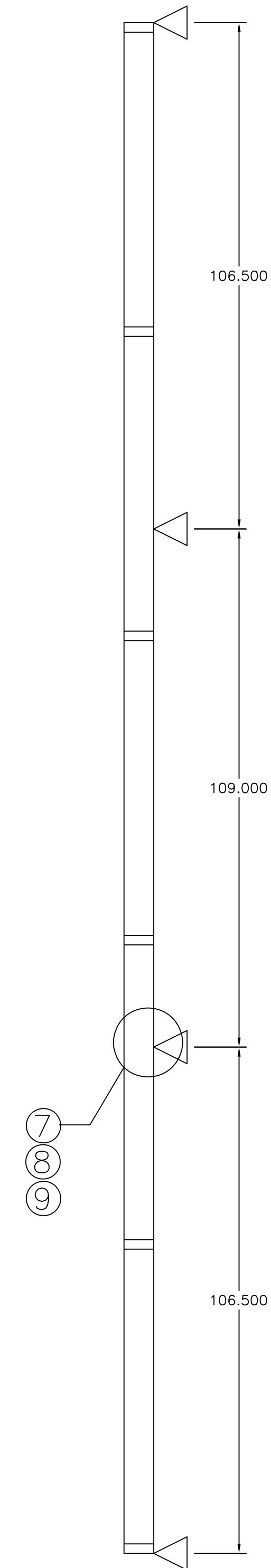
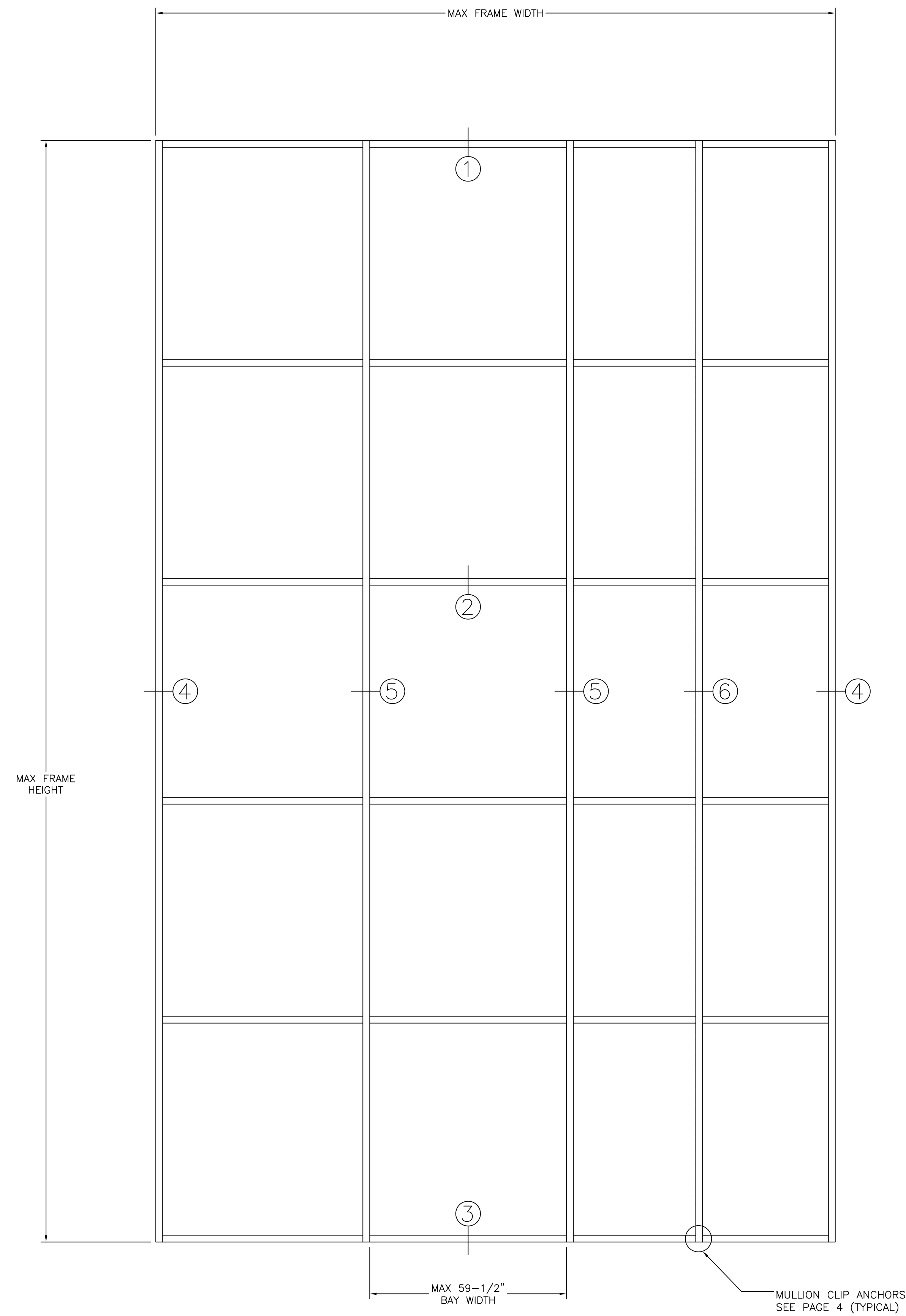
DESIGN PRESSURE RATING	IMPACT RATING
+/- 60.0	NONE

DRAWINGS TABLE OF CONTENTS

SHEET 1: INDEX TO DRAWINGS AND NOTES  
 SHEET 2: ELEVATION AND ANCHOR LOCATIONS  
 SHEET 3-5: ANCHORAGE DETAILS

BAY SIZES:  
 59-1/2" X 146"  
 D.L.O:  
 59-1/2" X 64"

REVISIONS		MATERIAL	TUBELITE, INC. 3056 WALKER RIDGE DRIVE NW SUITE G WALKER, MI 49544		SCALE NTS
		EST. AREA			DWG NO. 101282D
		EST. WT.			SHEET NO. 1 OF 5
		EST. PERIM.	SERIES 200 CURTAIN WALL SYSTEM FBC INSTALLATION DRAWINGS ELEVATIONS AND GLAZING DETAILS		EXTRUSION NO.    REV.
		DRAWN BY JMR	DATE 04/28/15		



GLAZING DETAILS

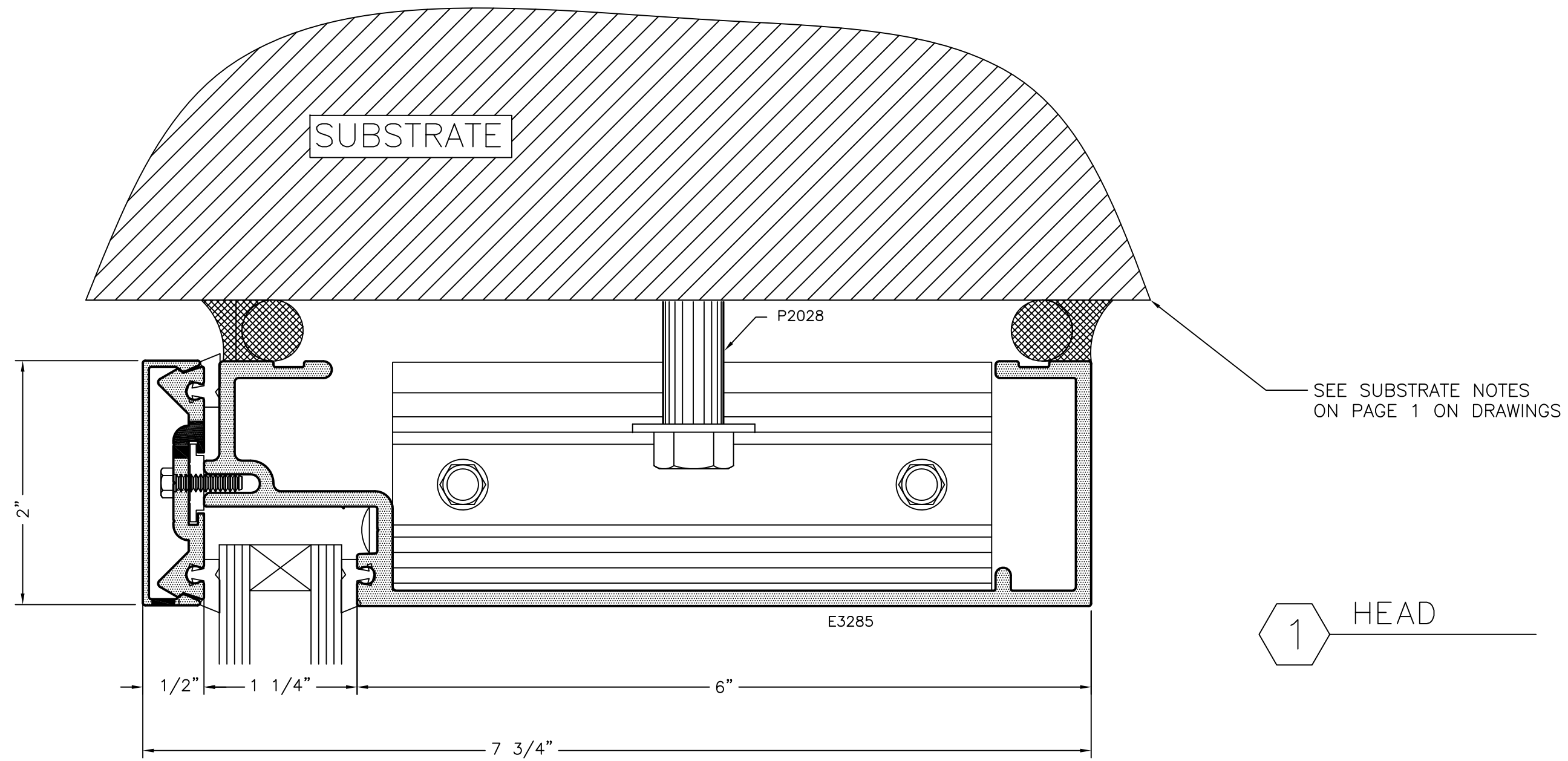
NOTE: GLAZING MUST COMPLY WITH ASTM E1300 FOR THE GIVEN DESIGN PRESSURE.

ELEVATION AND ANCHOR LOCATIONS

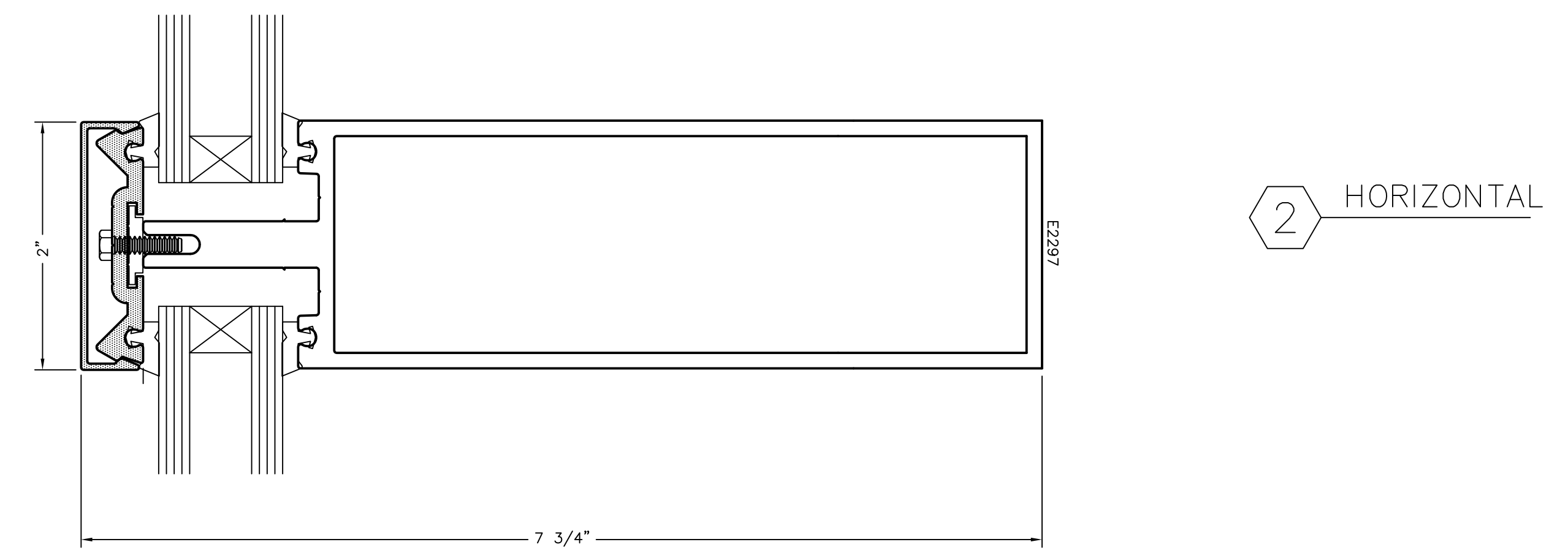
NOTE - CURTAIN WALL SYSTEM IS LIMITED TO A MAXIMUM HEIGHT BETWEEN ANCHORS OF 109". CURTAIN WALL MAY BE INSTALLED TO AN INFINITE LENGTH PROVIDED THE MAXIMUM BAY WIDTH DOES NOT EXCEED 59-1/2".

MULLION CLIP ANCHORS  
SEE PAGE 4 (TYPICAL)

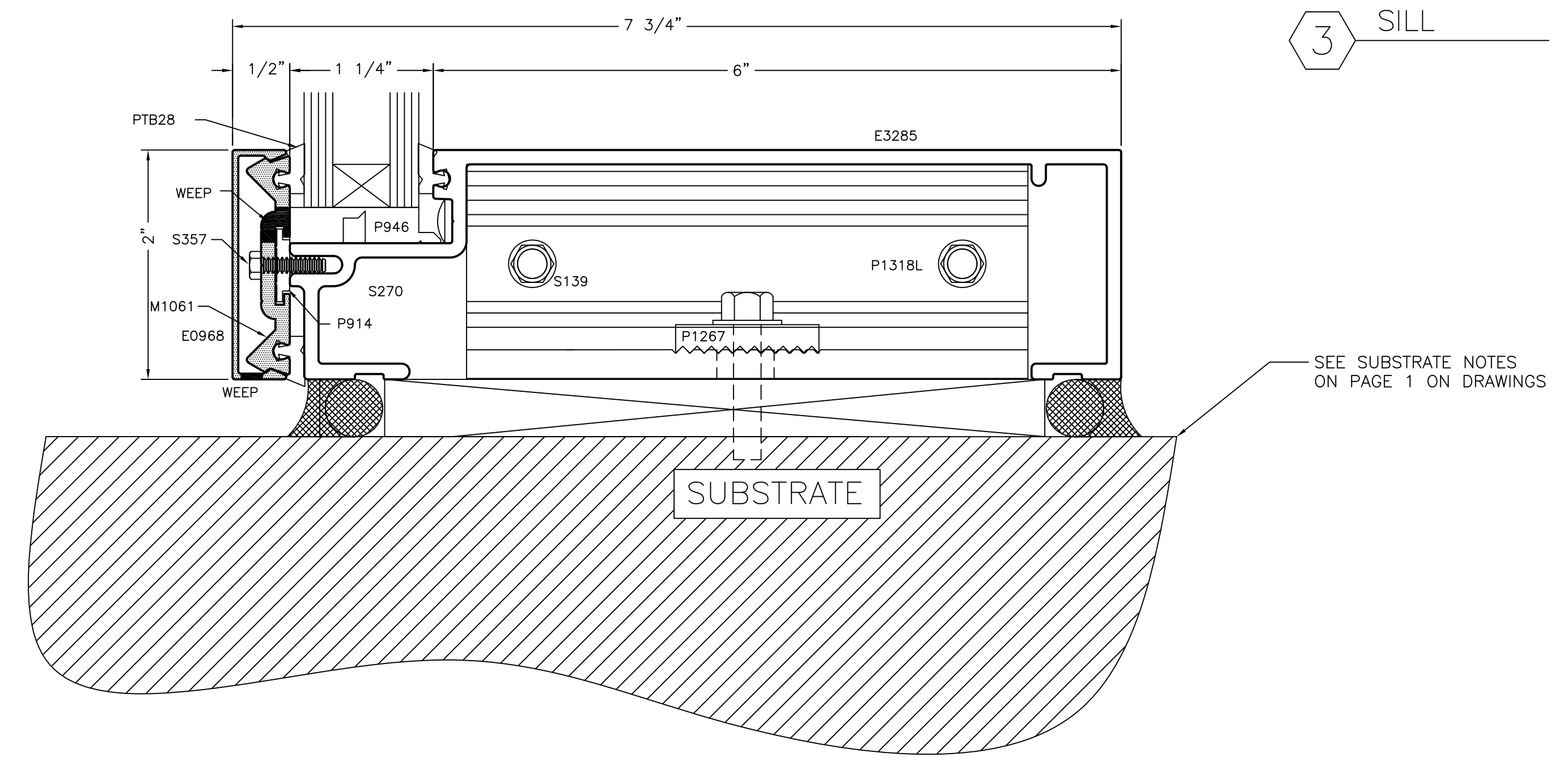
REVISIONS		MATERIAL	TUBELITE, INC. 3056 WALKER RIDGE DRIVE NW SUITE G WALKER, MI 49544	SCALE NTS
		EST. AREA		DWG NO. 101282D
		EST. WT.	SERIES 200 CURTAIN WALL SYSTEM FBC INSTALLATION DRAWINGS ELEVATIONS AND GLAZING DETAILS	SHEET NO. 2 OF 5
		EST. PERIM.		EXTRUSION NO.    REV.
		DRAWN BY JMR	DATE 04/28/15	



1 HEAD

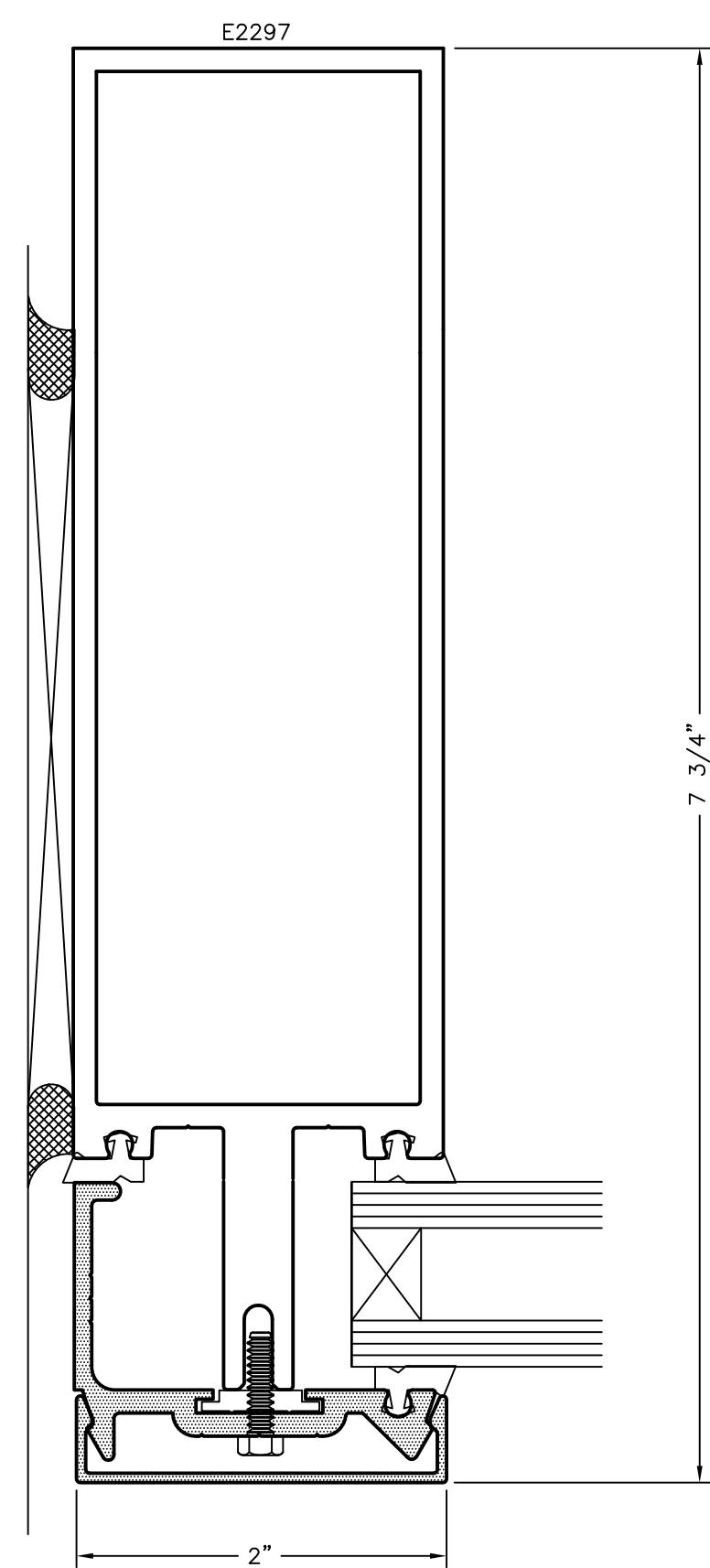


2 HORIZONTAL

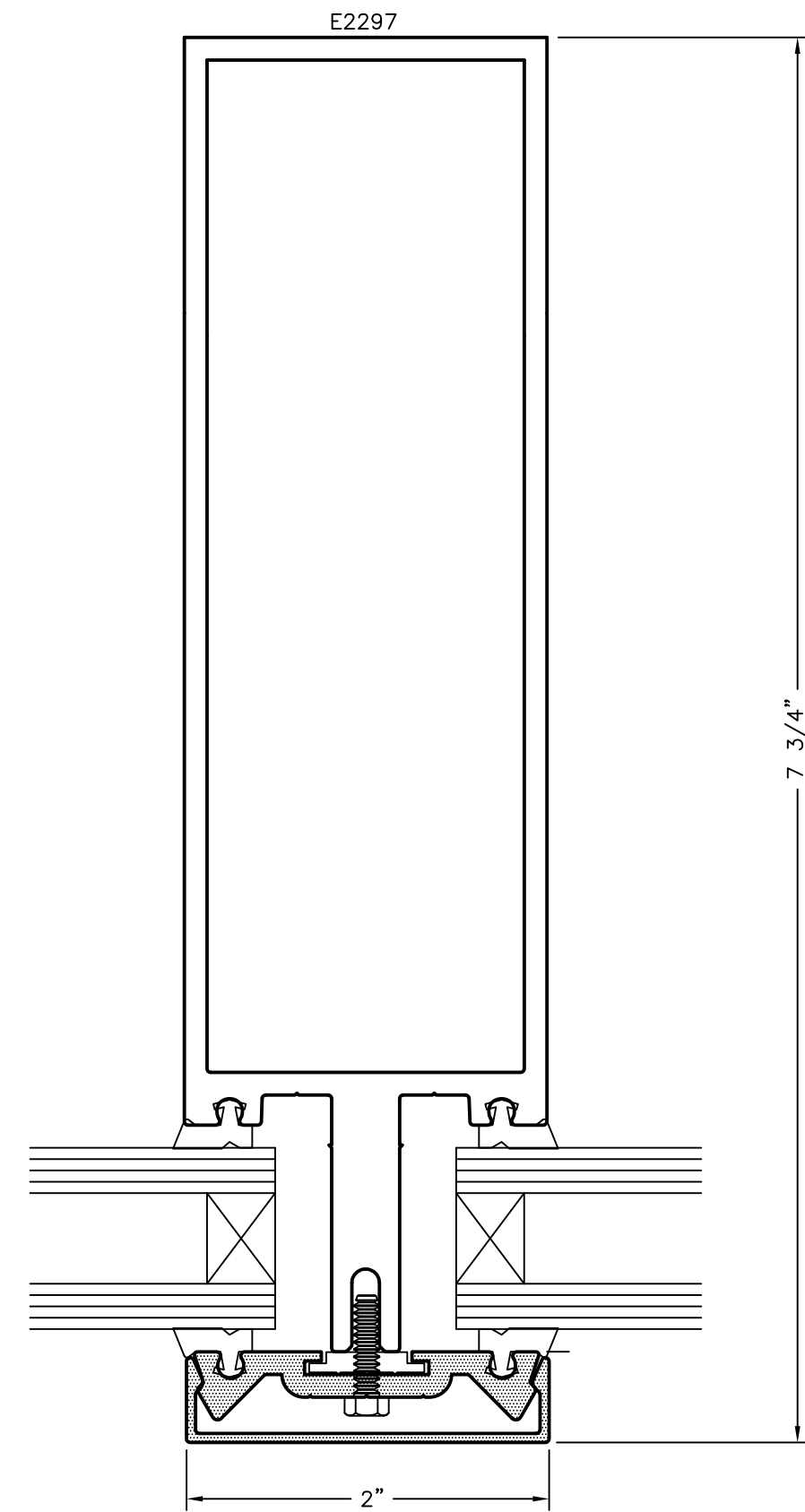


3 SILL

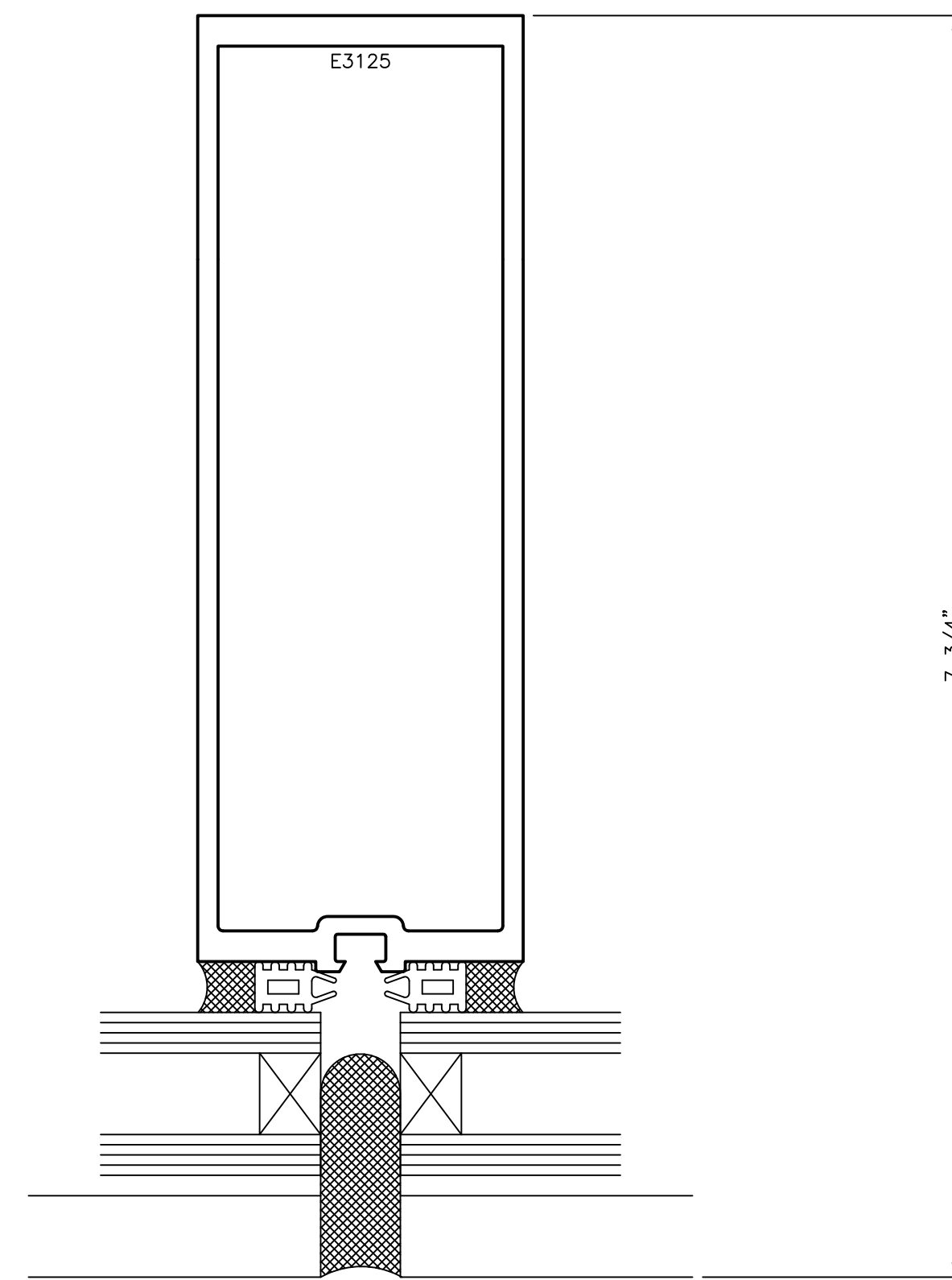
REVISIONS		MATERIAL		TUBELITE, INC. 3056 WALKER RIDGE DRIVE NW SUITE G WALKER, MI 49544		SCALE NTS	
		EST. AREA		SERIES 200 CURTAIN WALL SYSTEM FBC INSTALLATION DRAWINGS INSTALLATION DETAILS		DWG NO. 101282D	
		EST. WT.				SHEET NO. 3 OF 5	
		EST. PERIM.				EXTRUSION NO.	
		DRAWN BY JMR		DATE 04/28/15		REV.	



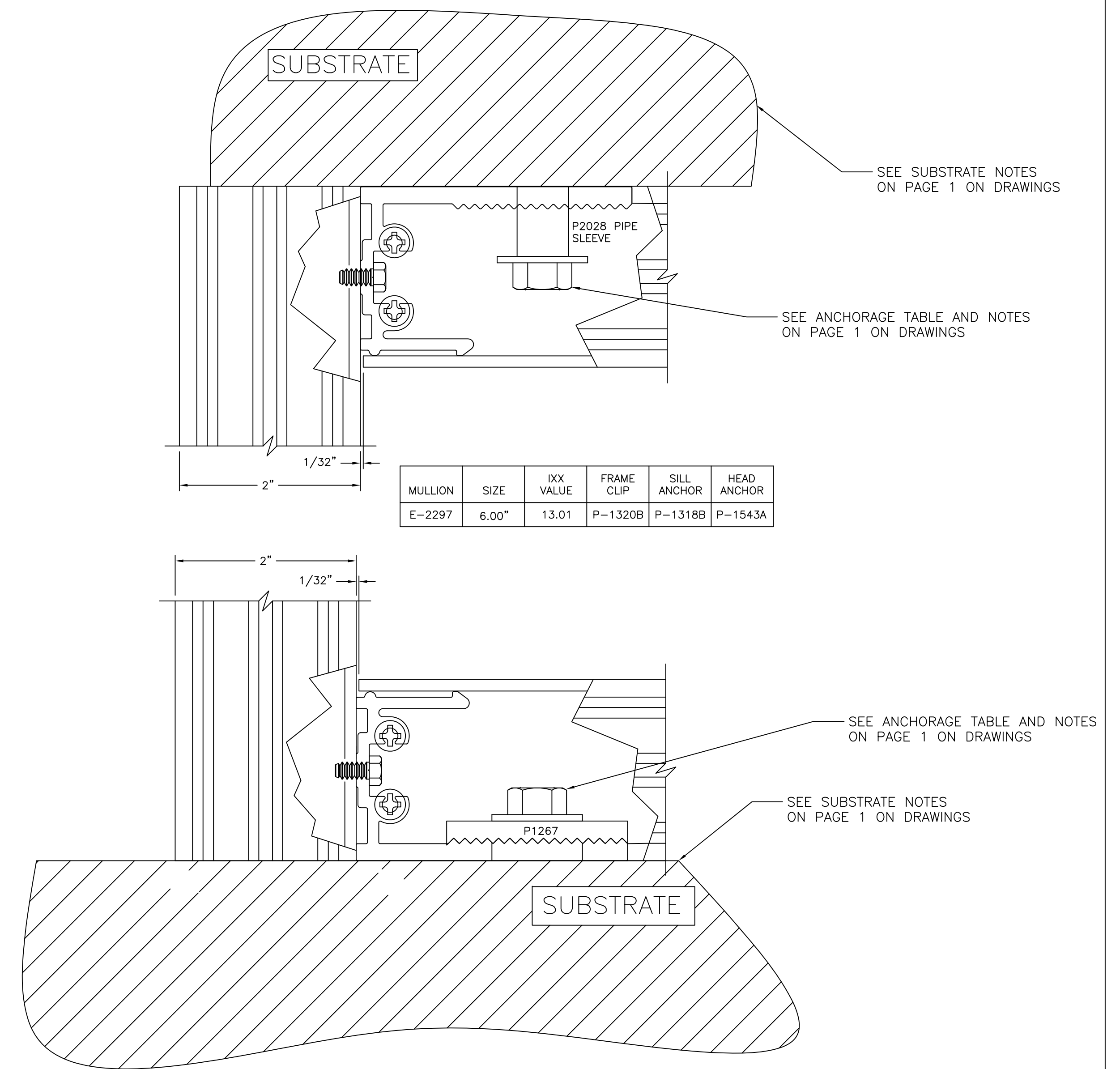
4 JAMB



5 VERTICAL MULLION



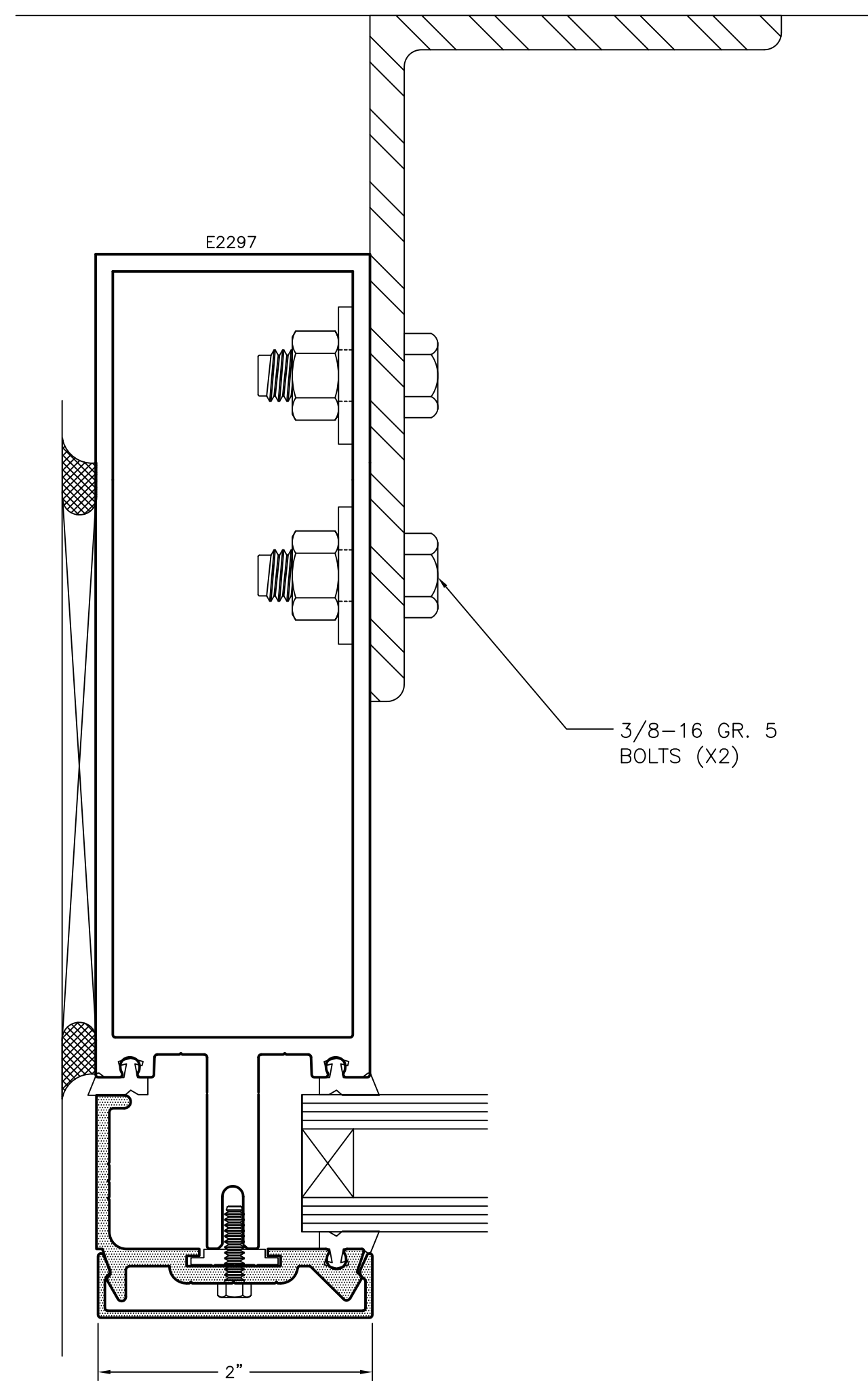
6 SSG MULLION



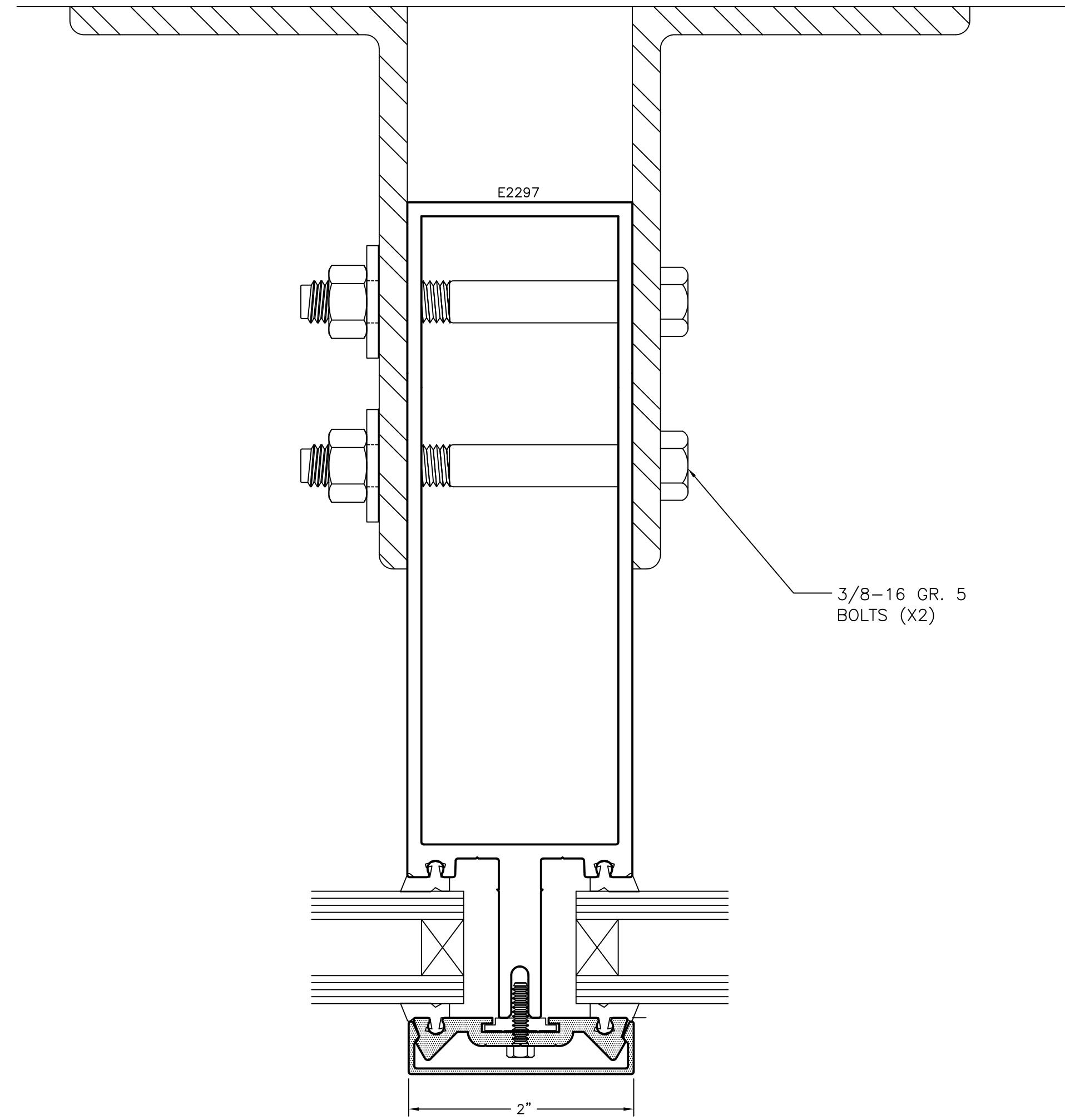
HEAD AND SILL ANCHOR CLIP INFORMATION

MULLION	SIZE	IXX VALUE	FRAME CLIP	SILL ANCHOR	HEAD ANCHOR
E-2297	6.00"	13.01	P-1320B	P-1318B	P-1543A

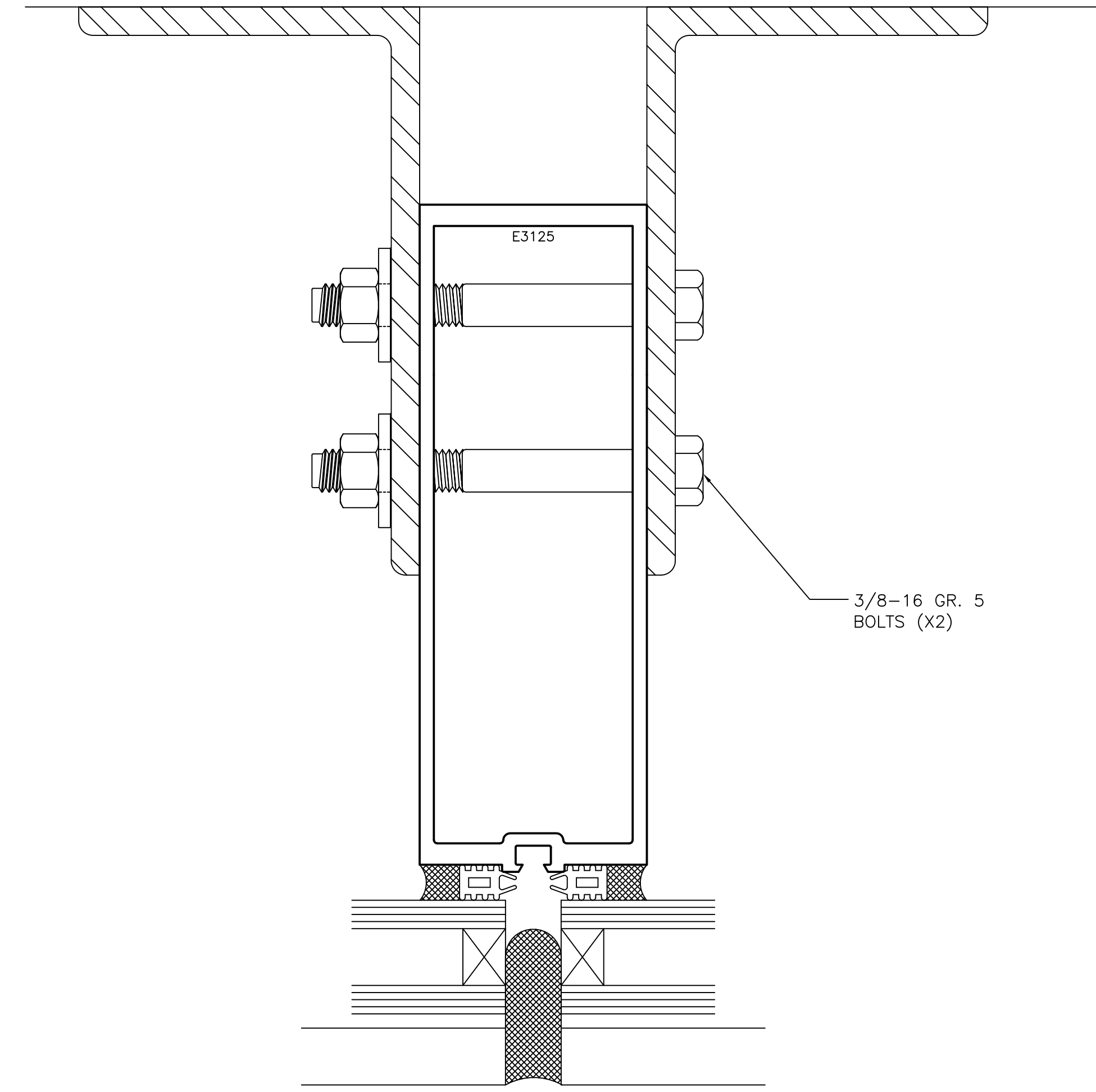
REVISIONS		MATERIAL	TUBELITE, INC. 3056 WALKER RIDGE DRIVE NW SUITE G WALKER, MI 49544	SCALE NTS
		EST. AREA	SERIES 200 CURTAIN WALL SYSTEM FBC INSTALLATION DRAWINGS INSTALLATION DETAILS	DWG NO. 101282D
		EST. WT.		SHEET NO. 4 OF 5
		EST. PERIM.		EXTRUSION NO.
		DRAWN BY JMR	DATE 04/28/15	REV.



7 JAMB



8 VERTICAL MULLION



9 SSG MULLION

REVISIONS		MATERIAL		TUBELITE, INC.		SCALE	
		EST. AREA		3056 WALKER RIDGE DRIVE NW		NTS	
		EST. WT.		SUITE G		DWG NO.	
		EST. PERIM.		WALKER, MI 49544		101282D	
		DRAWN BY		SERIES 200 CURTAIN WALL SYSTEM		SHEET NO.	
		DATE				5 OF 5	
		JMR		FBC INSTALLATION DRAWINGS		EXTRUSION NO.	
		04/28/15		INSTALLATION DETAILS		REV.	