



DEPARTMENT OF REGULATORY AND ECONOMIC RESOURCES (RER)
BOARD AND CODE ADMINISTRATION DIVISION
NOTICE OF ACCEPTANCE (NOA)

MIAMI-DADE COUNTY
PRODUCT CONTROL SECTION
Miami, Florida 33175-2474
T (786) 315-2590 F (786) 315-2599
www.miamidade.gov/economy

Lawson Industries, Inc.
8501 NW 90 Street
Medley, FL 33166

SCOPE:

This NOA is being issued under the applicable rules and regulations governing the use of construction materials. The documentation submitted has been reviewed and accepted by Miami-Dade County RER-Product Control Section to be used in Miami-Dade County and other areas where allowed by the Authority Having Jurisdiction (AHJ).

This NOA shall not be valid after the expiration date stated below. The Miami-Dade County Product Control Section (In Miami-Dade County) and/ or the AHJ (in areas other than Miami-Dade County) reserve the right to have this product or material tested for quality assurance purposes. If this product or material fails to perform in the accepted manner, the manufacturer will incur the expense of such testing and the AHJ may immediately revoke, modify, or suspend the use of such product or material within their jurisdiction. RER reserves the right to revoke this acceptance, if it is determined by Miami-Dade County Product Control Section that this product or material fails to meet the requirements of the applicable building code.

This product is approved as described herein and has been designed to comply with the Florida Building Code, including the High Velocity Hurricane Zone.

DESCRIPTION: Series "SH-7500 Flange Frame" Aluminum Single Hung Window – N.I.

APPROVAL DOCUMENT: Drawing No. L7500-0401, titled "SH-7500 Single Hung Flange Window", sheets 1 through 5 of 5, dated 09/20/04, with revision H dated 06/24/2020, prepared by the manufacturer, signed and sealed by Thomas J. Sotos, P.E., bearing the Miami-Dade County Product Control Section Renewal stamp with the Notice of Acceptance number and expiration date by the Miami-Dade County Product Control Section.

MISSILE IMPACT RATING: None.

LABELING: Each unit shall bear a permanent label with the manufacturer's name or logo, city, state, model/ series, and following statement: "Miami-Dade County Product Control Approved", unless otherwise noted herein.

RENEWAL of this NOA shall be considered after a renewal application has been filed and there has been no change in the applicable building code negatively affecting the performance of this product.

TERMINATION of this NOA will occur after the expiration date or if there has been a revision or change in the materials, use, and/ or manufacture of the product or process. Misuse of this NOA as an endorsement of any product, for sales, advertising or any other purposes shall automatically terminate this NOA. Failure to comply with any section of this NOA shall be cause for termination and removal of NOA.

ADVERTISEMENT: The NOA number preceded by the words Miami-Dade County, Florida, and followed by the expiration date may be displayed in advertising literature. If any portion of the NOA is displayed, then it shall be done in its entirety.

INSPECTION: A copy of this entire NOA shall be provided to the user by the manufacturer or its distributors and shall be available for inspection at the job site at the request of the Building Official.

This NOA **revises and renews** NOA No. 17-1212.20 and consists of this page 1 and evidence pages E-1, as well as approval document mentioned above.

The submitted documentation was reviewed by **Sifang Zhao, P.E.**



S.Z.
08/20/2020

NOA No. 20-0713.02
Expiration Date: September 01, 2025
Approval Date: August 20, 2020
Page 1

Lawson Industries, Inc.

NOTICE OF ACCEPTANCE: EVIDENCE SUBMITTED

A. DRAWINGS

1. Manufacturer's die drawings and sections.
(Submitted under NOA's No. 05-0324.07 and 07-0925.11)
2. Drawing No. **L7500-0401**, titled "SH-7500 Single Hung Flange Window", sheets 1 through 5 of 5, dated 09/20/04, with revision **H** dated 06/24/2020, prepared by manufacturer, signed and sealed by Thomas J. Sotos, P.E.

B. TESTS

1. Test reports on: 1) Uniform Static Air Pressure Test, Loading per FBC, TAS 202-94
2) Forced Entry Test, per FBC 2411.3.2.1, and TAS 202-94
along with marked-up drawings and installation diagram of aluminum single hung windows - (Fin/Flange mounted), prepared by Fenestration Testing Laboratories, Inc., Test Report No. **FTL-5283**, dated 08/24/07, signed and sealed by Carlos S. Rionda, P.E. *(Submitted under NOA No.07-0925.11)*
2. Test reports on: 1) Air Infiltration Test, per FBC, TAS 202-94
2) Uniform Static Air Pressure Test, Loading per FBC, TAS 202-94
3) Water Resistance Test, per FBC, TAS 202-94
4) Forced Entry Test, per FBC 2411.3.2.1, and TAS 202-94
along with marked-up drawings and installation diagram of aluminum single hung windows (flange-mounted), prepared by Fenestration Testing Laboratory, Inc., Test Reports No. **FTL-4323, 4343, 4344, 4345, 4346, 4350, 4351, 4363, and 4364**, all dated 11/08/04 and **FTL-4505**, dated 01/25/05, signed and sealed by Edmundo J. Largaespada, P.E. *(Submitted under NOA No.05-0324.07)*

C. CALCULATIONS

1. Anchor verification calculations and structural analysis, complying with FBC, Glazing complying with **ASTM E1300-04/09**, prepared by manufacturer, dated 08/03/09, signed and sealed by Thomas J. Sotos, P.E. *(Submitted under NOA No. 09-0720.06)*

D. QUALITY ASSURANCE

1. Miami-Dade Department of Regulatory and Economic Resources (RER).

E. MATERIAL CERTIFICATIONS

1. None.

F. STATEMENTS

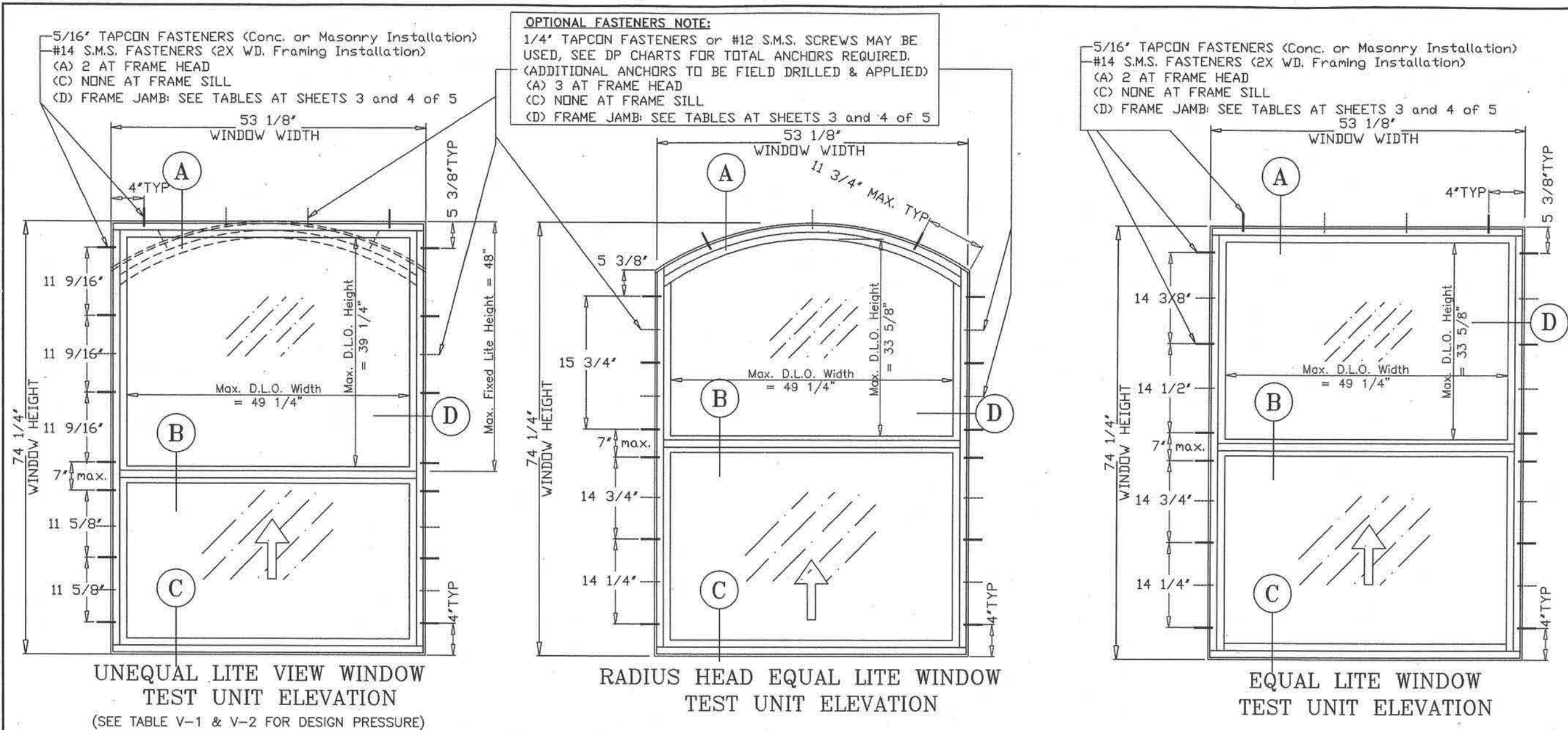
1. Statement letter of conformance, complying with **FBC 6th Edition (2017)** and **FBC 7th Edition (2020)** and of no financial interest dated 07/10/2020, signed and sealed by Thomas J. Sotos, P.E.

G. OTHERS

1. NOA No. 17-1212.20, expiring 09/01/2020.



Sifang Zhao, P.E.
Product Control Examiner
NOA No. 20-0713.02
Expiration Date: September 01, 2025
Approval Date: August 20, 2020



SERIES-7500 SINGLE HUNG WINDOW - FLANGE FRAME - NON-IMPACT

NOTES:

- THIS WINDOW SYSTEM IS DESIGNED AND TESTED TO COMPLY WITH THE REQUIREMENTS OF THE FLORIDA BUILDING CODE (2017-6th Edition & 2020-7th Edition) AND ASTM 1300-09. THIS PRODUCT IS NOT IMPACT RESISTANT. WINDOWS ARE TO BE PROTECTED WITH MIAMI-DADE COUNTY APPROVED IMPACT RESISTANT SHUTTERS.
- 1 X OR 2 X WOOD BUCKS SHALL BE INSTALLED AND ANCHORED SO THAT THE BUILDING RESISTS THE SUPERIMPOSED LOADS IN ACCORDANCE WITH REQUIREMENTS OF F.B.C. & TO BE REVIEWED BY THE BUILDING OFFICIAL.
- ANCHORS SHOWN ABOVE ARE AS PER TEST UNITS. INTERIOR ANCHOR SPACINGS WILL VARY WITH UNIT DIMENSIONS, AND THE NUMBER OF ANCHORS REQUIRED, AS SPECIFIED ON THE LOAD TABLES.
- ANCHOR CONDITIONS NOT DESCRIBED IN THESE DRAWING'S ARE TO BE ENGINEERED ON A SITE SPECIFIC BASIS, UNDER SEPARATE APPROVAL AND TO BE REVIEWED BY BUILDING OFFICIAL.
- RADIUS HEAD WINDOWS ARE QUALIFIED FOR USE WITH ALL GLASS TYPES TABULATED HEREIN.
- VIEW WINDOWS ARE QUALIFIED FOR USE WITH 3/16" ANNEALED & 3/16" TEMPERED GLASS USING THE HEAVY DUTY MEETING RAIL ONLY.
- SEE PAGE 4 FOR LOCK OPTIONS.
- APPROVAL APPLIES TO SINGLE UNITS OR MULTIPLE UNITS AND MAY BE MULLED VERTICALLY OR HORIZONTALLY.
- MULLION SINGLE HUNG WINDOWS WITH OTHER TYPES OF MIAMI-DADE COUNTY APPROVED WINDOWS USING A MIAMI-DADE COUNTY APPROVED MULLION IN BETWEEN ARE ACCEPTABLE BUT THE LOWER DESIGN PRESSURE FROM THE WINDOWS OR MULLION APPROVAL WILL APPLY TO THE ENTIRE MULLED SYSTEM.
- SEE SHEET # 4 FOR MULLION/METAL ATTACHMENT DETAILS & NOTES.

WINDOWS ARE TO BE PROTECTED WITH MIAMI-DADE COUNTY APPROVED IMPACT RESISTANT SHUTTERS

LAWSON INDUSTRIES, INC.

8501 N.W. 90 ST.
 MEDLEY, FLORIDA 33166
 PH No. (305) 696-8660

MANUFACTURER OF QUALITY ALUMINUM WINDOWS AND GLASS DOORS

SH-7500 SINGLE HUNG FLANGE WINDOW

APPROVED ELEVATIONS, CONFIGURATIONS AND NOTES

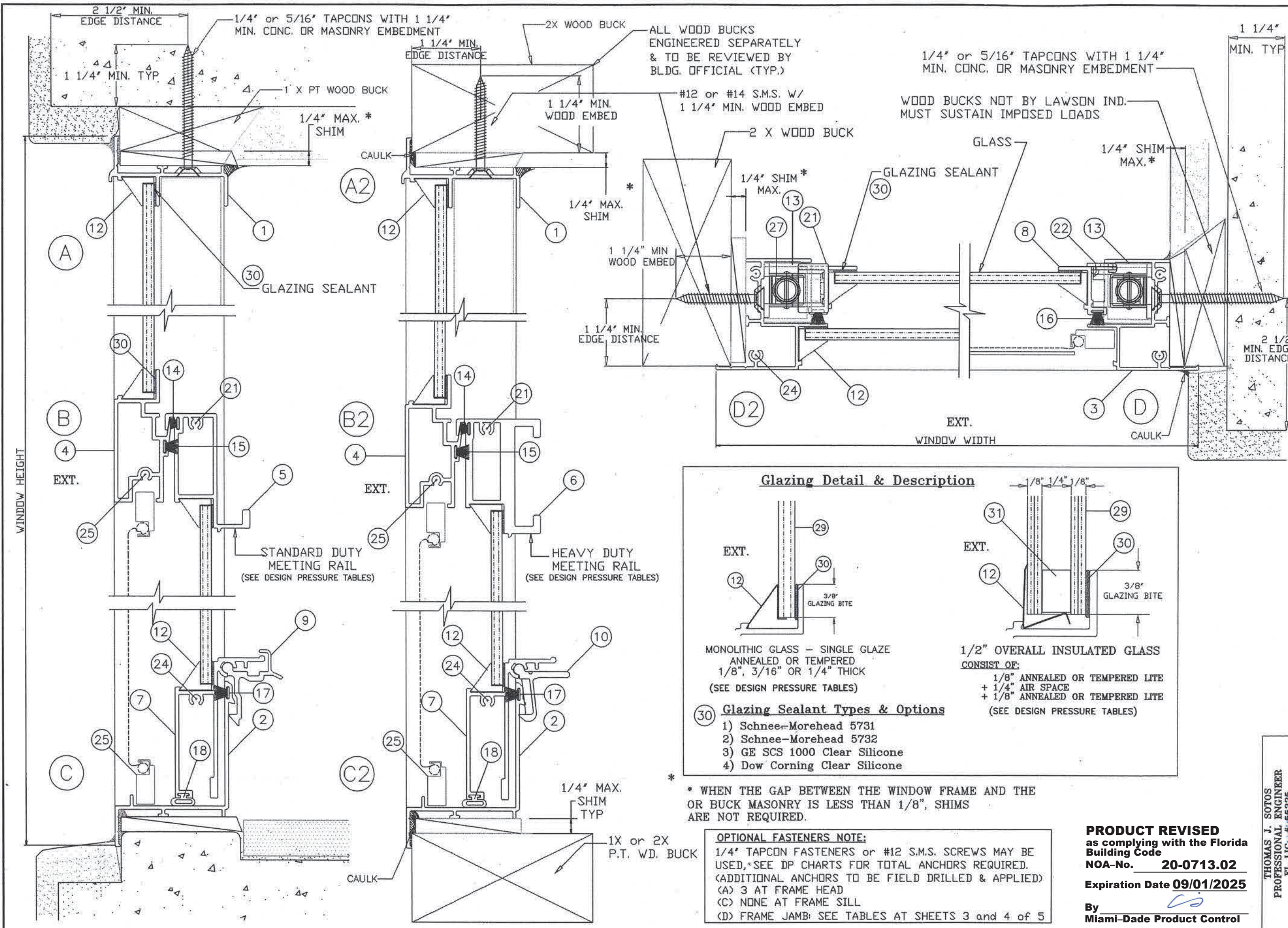
Revision Notes:	D. General notes revised to comply with the 2007 Florida Building Code.	Date Drawn:	08/20/04
	E. Revised to Comply w/ 2010 FBC	Date Revised:	06/24/20
	F. Revised to Comply w/ 2014 FBC	Drawn By:	N. ERAZO
	G. Revised to Comply w/ 2020 FBC	Checked By:	N. ERAZO
	H. Revised to Comply w/ 2020 FBC	Revision Level:	H

THOMAS J. SOTOS
 PROFESSIONAL ENGINEER
 FL. LIC. # 15525

DATE

PRODUCT REVISED
 as complying with the Florida Building Code
 NOA-No. **20-0713.02**
 Expiration Date **09/01/2025**

By
 Miami-Dade Product Control



Glazing Detail & Description

MONOLITHIC GLASS - SINGLE GLAZE
ANNEALED OR TEMPERED
1/8", 3/16" OR 1/4" THICK
(SEE DESIGN PRESSURE TABLES)

1/2" OVERALL INSULATED GLASS
CONSIST OF:
1/8" ANNEALED OR TEMPERED LITE
+ 1/4" AIR SPACE
+ 1/8" ANNEALED OR TEMPERED LITE
(SEE DESIGN PRESSURE TABLES)

30 Glazing Sealant Types & Options

- Schnee-Morehead 5731
- Schnee-Morehead 5732
- GE SCS 1000 Clear Silicone
- Dow Corning Clear Silicone

* WHEN THE GAP BETWEEN THE WINDOW FRAME AND THE OR BUCK MASONRY IS LESS THAN 1/8", SHIMS ARE NOT REQUIRED.

OPTIONAL FASTENERS NOTE:
1/4" TAPCON FASTENERS OR #12 S.M.S. SCREWS MAY BE USED, *SEE DP CHARTS FOR TOTAL ANCHORS REQUIRED. (ADDITIONAL ANCHORS TO BE FIELD DRILLED & APPLIED)
(A) 3 AT FRAME HEAD
(C) NONE AT FRAME SILL
(D) FRAME JAMB; SEE TABLES AT SHEETS 3 and 4 of 5

LAWSON INDUSTRIES, INC.

8501 N.W. 90 ST.
MEDLEY, FLORIDA 33166
PH No. (305) 696-8660

MANUFACTURER OF QUALITY ALUMINUM WINDOWS AND GLASS DOORS

SH-7500 SINGLE HUNG FLANGE WINDOW

CROSS SECTIONAL DETAILS FOR STD/HVY DUTY MEETING RAIL

Revision Notes:	D. General notes revised to comply with the 2007 Florida Building Code.	Date Drawn:	09/20/04
	E. Revised to Comply w/ 2010 FBC	Date Revised:	06/24/20
	F. Revised to Comply w/ 2014 FBC	Scale:	H
	G. Revised to Comply w/ 2017 FBC	Drawn By:	N. ERAZO
	H. Revised to Comply w/ 2020 FBC	Checked By:	N. ERAZO

THOMAS J. SOTOS
PROFESSIONAL ENGINEER
FL LIC. # 55225

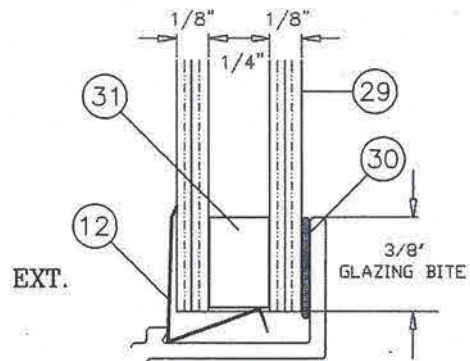
DATE: JUL 2025

PRODUCT REVISED
as complying with the Florida Building Code
NOA-No. 20-0713.02
Expiration Date 09/01/2025
By
Miami-Dade Product Control

Flange Frame w/ Standard Meeting Rail
Test # FTL 5283 A-5 - 1/8" Tempered

Negative Pressure Limited to 100psf.

Width (in)	Height (in)	P(+) psf	P(-) psf	#14 or 5/16" Tapcons		#12 or 1/4" Tapcons	
				Jamb Anchors	Head Anchors	Jamb Anchors	Head Anchors
19.125	26	70.0	100.0	2	2	2	2
26.5	26	70.0	100.0	2	2	2	2
37	26	70.0	100.0	2	2	4	2
53.125	26	70.0	100.0	2	2	5	3
19.125	38.375	70.0	100.0	2	2	3	2
26.5	38.375	70.0	100.0	2	2	4	2
37	38.375	70.0	100.0	2	2	5	2
53.125	38.375	70.0	88.6	3	2	6	3
19.125	50.625	70.0	100.0	2	2	3	2
26.5	50.625	70.0	100.0	3	2	5	2
37	50.625	70.0	100.0	3	2	7	3
53.125	50.625	70.0	72.3	3	2	7	3
19.125	58	70.0	100.0	3	2	4	2
26.5	58	70.0	100.0	3	2	6	2
37	58	70.0	100.0	4	2	8	3
53.125	58	66.1	66.1	3	2	7	3
19.125	63	70.0	100.0	3	2	4	2
26.5	63	70.0	100.0	3	2	6	2
37	63	70.0	100.0	4	2	9	3
53.125	63	62.9	62.9	3	2	5	3
19.125	74.25	70.0	100.0	3	2	5	2
26.5	74.25	70.0	100.0	4	2	7	2
37	74.25	70.0	100.0	5	2	10	3
53.125	74.25	57.7	57.7	4	2	9	3



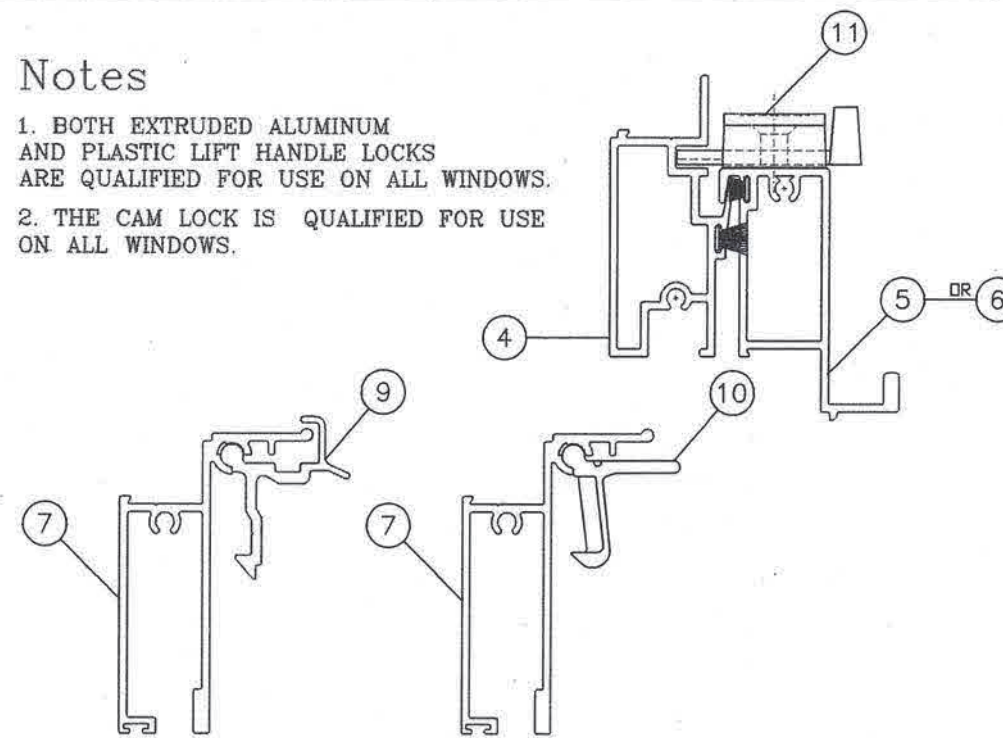
1/2" OVERALL INSULATED GLASS

CONSIST OF:
 1/8" ANNEALED OR TEMPERED LITE
 + 1/4" AIR SPACE
 + 1/8" ANNEALED OR TEMPERED LITE
 (SEE CORRESPONDING DESIGN PRESSURE CHARTS)

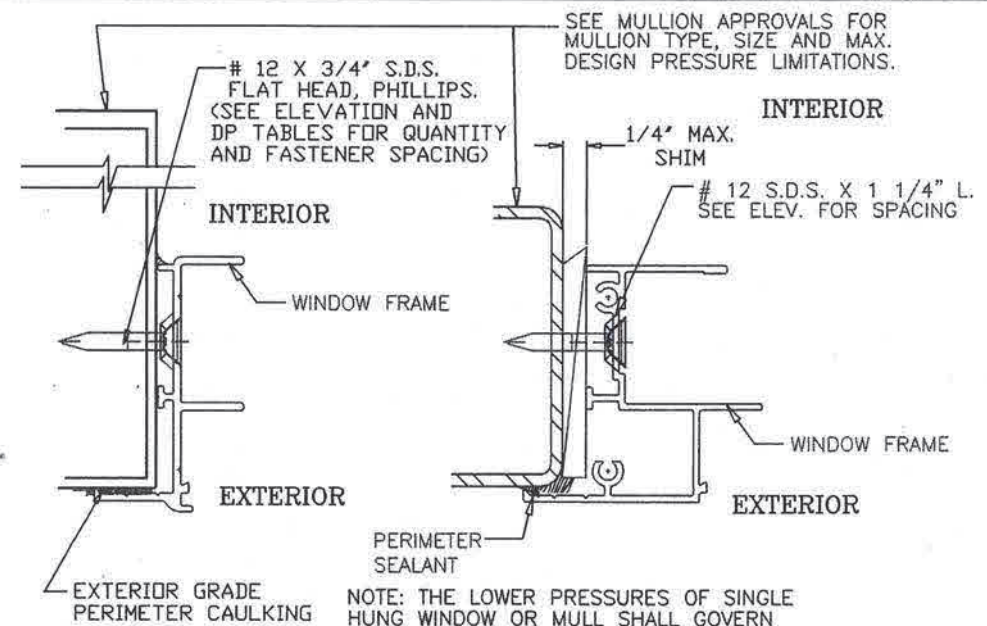
GLAZING DETAIL & DESCRIPTION

Notes

- BOTH EXTRUDED ALUMINUM AND PLASTIC LIFT HANDLE LOCKS ARE QUALIFIED FOR USE ON ALL WINDOWS.
- THE CAM LOCK IS QUALIFIED FOR USE ON ALL WINDOWS.



LOCK (LATCH AND SWEEP) OPTIONS



NOTE: THE LOWER PRESSURES OF SINGLE HUNG WINDOW OR MULL SHALL GOVERN

- ALL STEEL IN CONTACT WITH ALUM. TO BE PAINTED OR PLATED.
- METAL STRUCTURES: (STEEL OR ALUM. 1/8" MIN. THICK)
 A) STEEL : Fy = 36 KSI MIN.
 B) ALUMINUM : 6063-T5 MIN.

E

MULLION & METAL STRUCTURE ATTACHMENT DETAIL

PRODUCT REVISED
 as complying with the Florida Building Code
NOA-No. 20-0713.02
 Expiration Date **09/01/2025**
 By *[Signature]*
 Miami-Dade Product Control

Flange Frame w/ Standard Meeting Rail
Test # FTL 5283 A-3 - 1/2" Overall Insulated w/ 1/8" Annealed

Negative Pressure Limited to 100psf.

Width (in)	Height (in)	P(+) psf	P(-) psf	#14 or 5/16" Tapcons		#12 or 1/4" Tapcons	
				Jamb Anchors	Head Anchors	Jamb Anchors	Head Anchors
19.125	26	70.0	100.0	2	2	4	2
26.5	26	70.0	100.0	3	2	5	2
37	26	70.0	100.0	4	2	6	3
53.125	26	70.0	100.0	3	2	6	3
19.125	38.375	70.0	100.0	3	2	6	2
26.5	38.375	70.0	100.0	5	2	8	3
37	38.375	70.0	100.0	4	2	7	3
53.125	38.375	70.0	80.7	4	2	6	3
19.125	50.625	70.0	100.0	4	2	7	2
26.5	50.625	70.0	100.0	5	2	8	3
37	50.625	70.0	100.0	5	2	8	3
53.125	50.625	65.8	65.8	4	2	7	3
19.125	58	70.0	100.0	4	2	8	2
26.5	58	70.0	100.0	5	2	8	2
37	58	70.0	100.0	5	2	8	3
53.125	58	60.1	60.1	4	2	7	3
19.125	63	70.0	100.0	4	2	7	2
26.5	63	70.0	100.0	5	2	8	2
37	63	70.0	100.0	5	2	9	3
53.125	63	57.2	57.2	4	2	7	3
19.125	74.25	70.0	100.0	4	2	7	2
26.5	74.25	70.0	100.0	5	2	8	2
37	74.25	70.0	96.9	6	2	10	3
53.125	74.25	52.5	52.5	5	2	8	3

Flange Frame w/ Heavy Duty Rail
Test #FTL 4351 - 1/2" Overall Insulated w/ 1/8" Tempered

Negative Pressure Limited to 100psf.

Width (in)	Height (in)	P(+) psf	P(-) psf	#14 or 5/16" Tapcons		#12 or 1/4" Tapcons	
				Jamb Anchors	Head Anchors	Jamb Anchors	Head Anchors
19.125	26	70.0	100.0	2	2	2	2
26.5	26	70.0	100.0	2	2	2	2
37	26	70.0	100.0	2	2	4	2
53.125	26	70.0	100.0	3	2	4	4
19.125	38.375	70.0	100.0	2	2	3	2
26.5	38.375	70.0	100.0	2	2	4	2
37	38.375	70.0	100.0	3	2	5	2
53.125	38.375	70.0	100.0	4	2	7	4
19.125	50.625	70.0	100.0	2	2	3	2
26.5	50.625	70.0	100.0	3	2	5	2
37	50.625	70.0	100.0	4	2	7	3
53.125	50.625	70.0	100.0	5	2	8	4
19.125	58	70.0	100.0	3	2	4	2
26.5	58	70.0	100.0	3	2	6	2
37	58	70.0	100.0	5	2	8	3
53.125	58	70.0	91.6	5	2	9	4
19.125	63	70.0	100.0	3	2	4	2
26.5	63	70.0	100.0	3	2	6	2
37	63	70.0	100.0	5	2	8	4
53.125	63	70.0	87.2	5	2	9	4
19.125	74.25	70.0	100.0	3	2	5	2
26.5	74.25	70.0	100.0	4	2	7	2
37	74.25	70.0	100.0	6	2	10	3
53.125	74.25	70.0	80.0	6	2	10	4

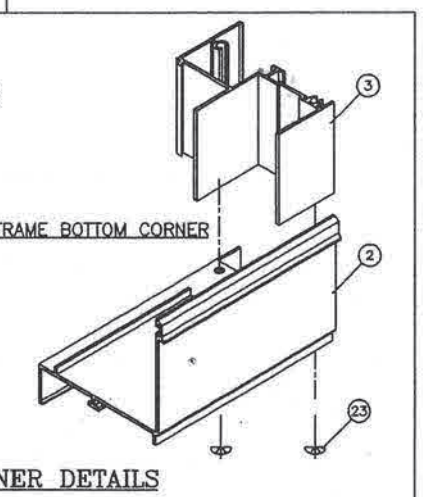
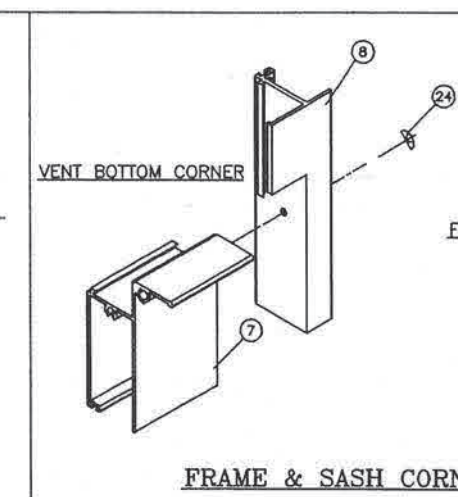
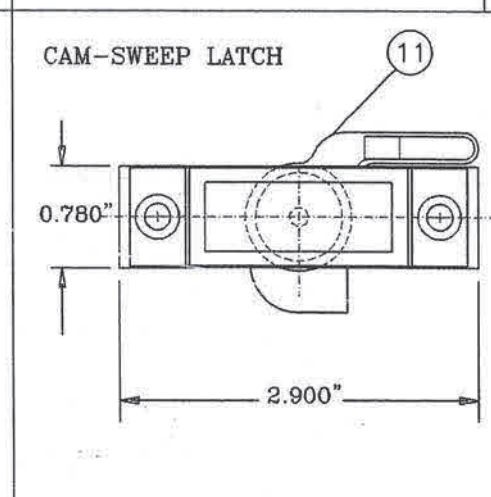
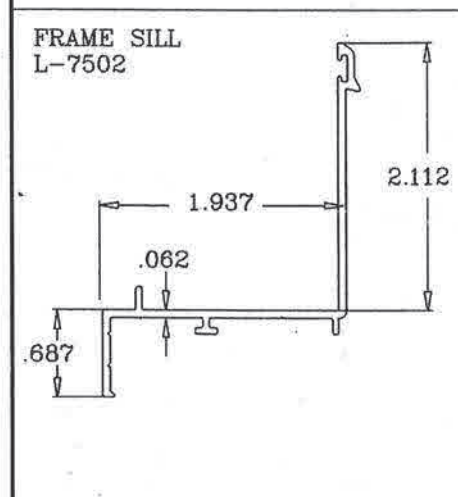
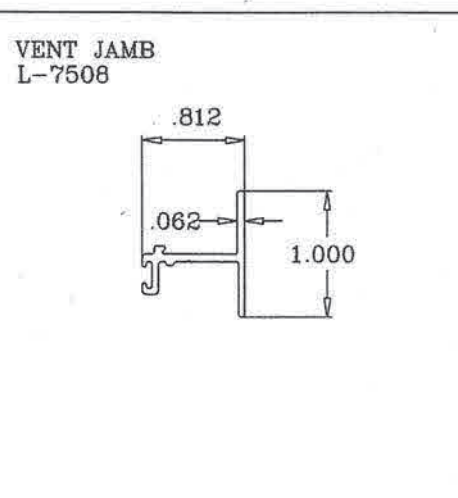
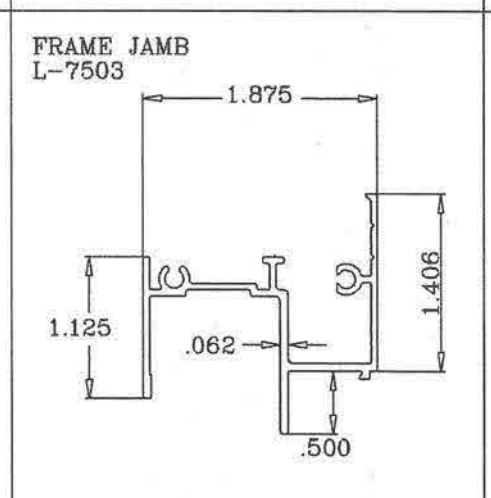
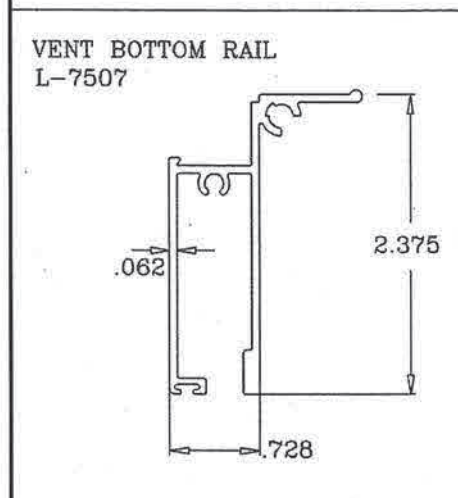
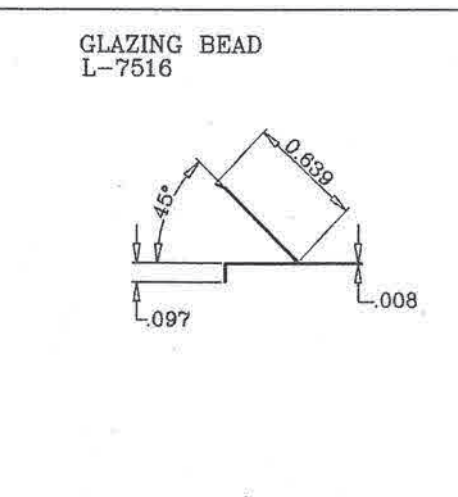
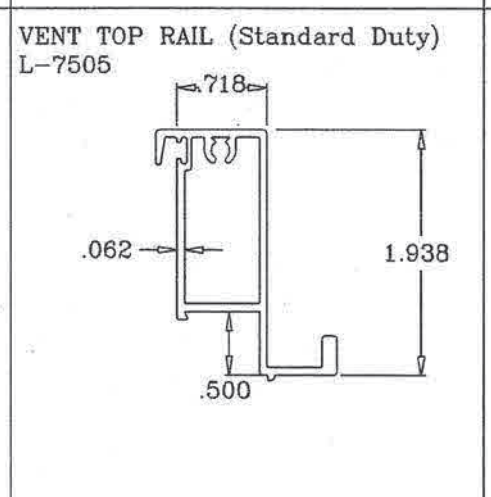
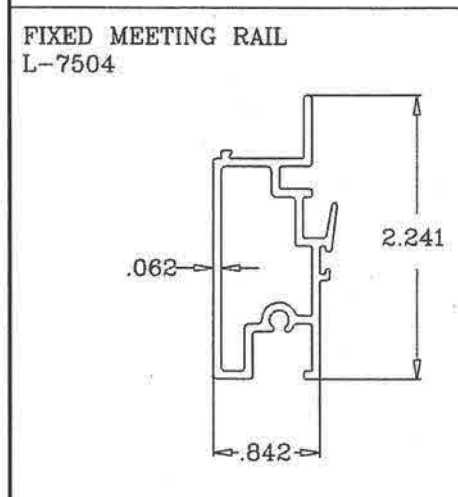
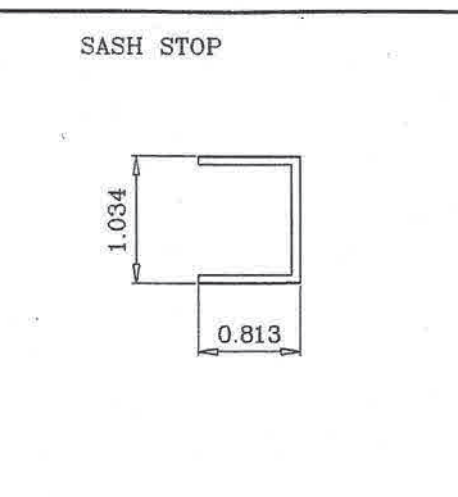
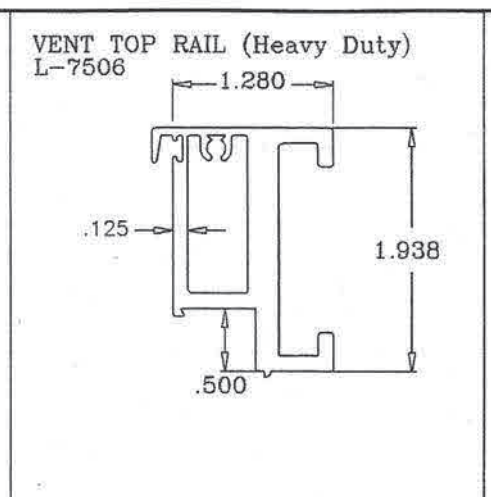
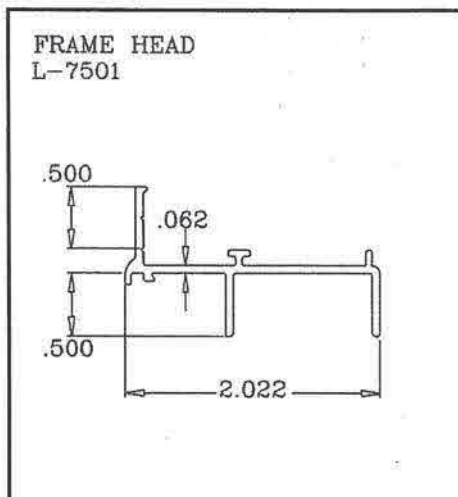
LAWSON INDUSTRIES, INC.

8501 N.W. 90 ST.
 MEDLEY, FLORIDA 33166
 PH No. (305) 696-8660

MANUFACTURER OF QUALITY ALUMINUM WINDOWS AND GLASS DOORS
SH-7500 SINGLE HUNG FLANGE WINDOW
 GLASS LOAD CHARTS, INSULATED GLAZING DETAIL & LOCK OPTIONS

Revision Notes:	D. General notes revised to comply with the 2007 Florida Building Code.	Date Drawn:	09/20/04
	E. Revised to Comply w/ 2010 FBC	Drawn By:	N. ERAZO
	F. Revised to Comply w/ 2014 FBC	Checked By:	N. ERAZO
	G. Revised to Comply w/ 2017 FBC	Revision Level:	H
	H. Revised to Comply w/ 2020 FBC	Product Reference Number:	L7500-0401





FRAME & SASH CORNER DETAILS

SH7500 FLANGE WINDOW BILL OF MATERIALS

ITEM #	PART #	DRWG. #	REQD.	DESCRIPTION	REMARKS
1	L-7501	LII-121	1	FRAME HEAD	6063-T6 ALUMINUM
2	L-7502	LII-120	1	FRAME SILL	6063-T6 ALUMINUM
3	L-7503	LII-127	2	FRAME JAMB	6063-T6 ALUMINUM
4	L-7504	LII-129	1	FIXED MEETING RAIL	6005-T5 ALUMINUM
5	L-7505	LII-125	1	VENT TOP RAIL STD. DUTY	6005-T5 ALUMINUM
6	L-7506	LII-126	1	VENT TOP RAIL HVY DUTY	6005-T5 ALUMINUM
7	L-7507	LII-136	1	VENT BOTTOM RAIL	6005-T5 ALUMINUM
8	L-7508	LII-124	1	VENT JAMB	6063-T5 ALUMINUM
9	*	*	2	VENT LATCH / LIFT LOCK	6063-T6 ALUMINUM
10	*	*	2	VENT LATCH / LIFT LOCK	INJECTED MOLDED
11	*	*	2	VENT LATCH / SWEEP	DIE CAST
12	L-7516	*	AS REQD.	GLAZING BEAD	ROLL FORMED ALUMINUM
13	*	*	2	VENT/SASH STOP	1 PER REQ'D JAMB
14	*	SCHLEGEL	AS REQD.	TOP RAIL WEATHERSTRIP	.187' X 150' PILE
15	*	ULTRAFAB	AS REQD.	FXD. RAIL WEATHERSTRIP	.187' X 250' FIN SEAL
16	*	ULTRAFAB	AS REQD.	VENT JAMB WEATHERSTRIP	.187' X .280' FIN SEAL
17	*	ULTRAFAB	AS REQD.	FRAME SILL WEATHERSTRIP	.187' X .250' FIN SEAL
18	*	*	AS REQ'D.	3/8" PVC WEATHERSTRIP	3/8" DIA. DURDMETER 65
19	*	*	2	VENT/SILL OPEN CELL PAD	1"x1"x1/2" FOAM PAD
20	*	*	2	SILL/JAMB JOINT GASKET	1/16" CLOSED CELL FOAM
21	L-7523	*	2	VENT TOP GUIDE / CAM	1 AT EACH END OF RAIL
22	L-7524	*	4	VENT JAMB FACE GUIDE	2 PER VENT JAMB
23	*	*	8	FRAME ASSEMBLY SCREWS	# 8 X 3/4" P.H. PHIL.
24	*	*	4	VENT ASSEMBLY SCREWS	# 8 X 1" P.H. PHILLIPS
25	*	*	2	FXD. MTG. RAIL SCREW	# 8 X 1" P.H. PHILLIPS
26	*	*	16 max.	2X FRAME INSTALL'N SCREW	#12 or #14 SMS F.H./PHI.
26	*	*	16 max.	COND. INSTALL'N SCREW	1/4" or 5/16" TAPCON F.H.
27	L-7527	*	2	BLOCK & TACKLE BALANCE	1 PER JAMB
28	*	*	1	INSECT SCREEN	*
29	*	*	2	GLASS @ TOP & BOTTOM	See Detail @ sheet 2 of 5
30	*	*	AS REQ'D	GLAZING SILICONE	See Detail @ sheet 2 of 5
31	*	774-25B-767	AS REQ'D	'TruSeal' Swiggle Seal	Black -1/4" air space

LAWSON INDUSTRIES, INC.

8501 N.W. 90 ST.
MEDLEY, FLORIDA 33166
PH No. (305) 696-8660

MANUFACTURER OF QUALITY ALUMINUM WINDOWS AND GLASS DOORS

SH-7500 SINGLE HUNG FLANGE WINDOW

BILL OF MATERIALS, EXTRUSION DETAILS & CORNER ASSEMBLY DETAILS

Product Reference Number: L7500-0401

Drawing Number: 5 OF 5

Revision #:

Revision Notes:
 D. General notes revised to comply with the 2007 Florida Building Code.
 E. Revised to Comply w/ 2010 FBC
 F. Revised to Comply w/ 2014 FBC
 G. Revised to Comply w/ 2017 FBC
 H. Revised to Comply w/ 2020 FBC

Drawn By: N. ERAZO Date Drawn: 09/20/04
 Checked By: N. ERAZO Date Revised: 08/24/20
 Revision Level: H Scale:

THOMAS J. SOTOS
PROFESSIONAL ENGINEER
FL LIC. # 56225

PRODUCT REVISED
as complying with the Florida Building Code
NOA-No. **20-0713.02**
Expiration Date **09/01/2025**

By
Miami-Dade Product Control

DATE: _____