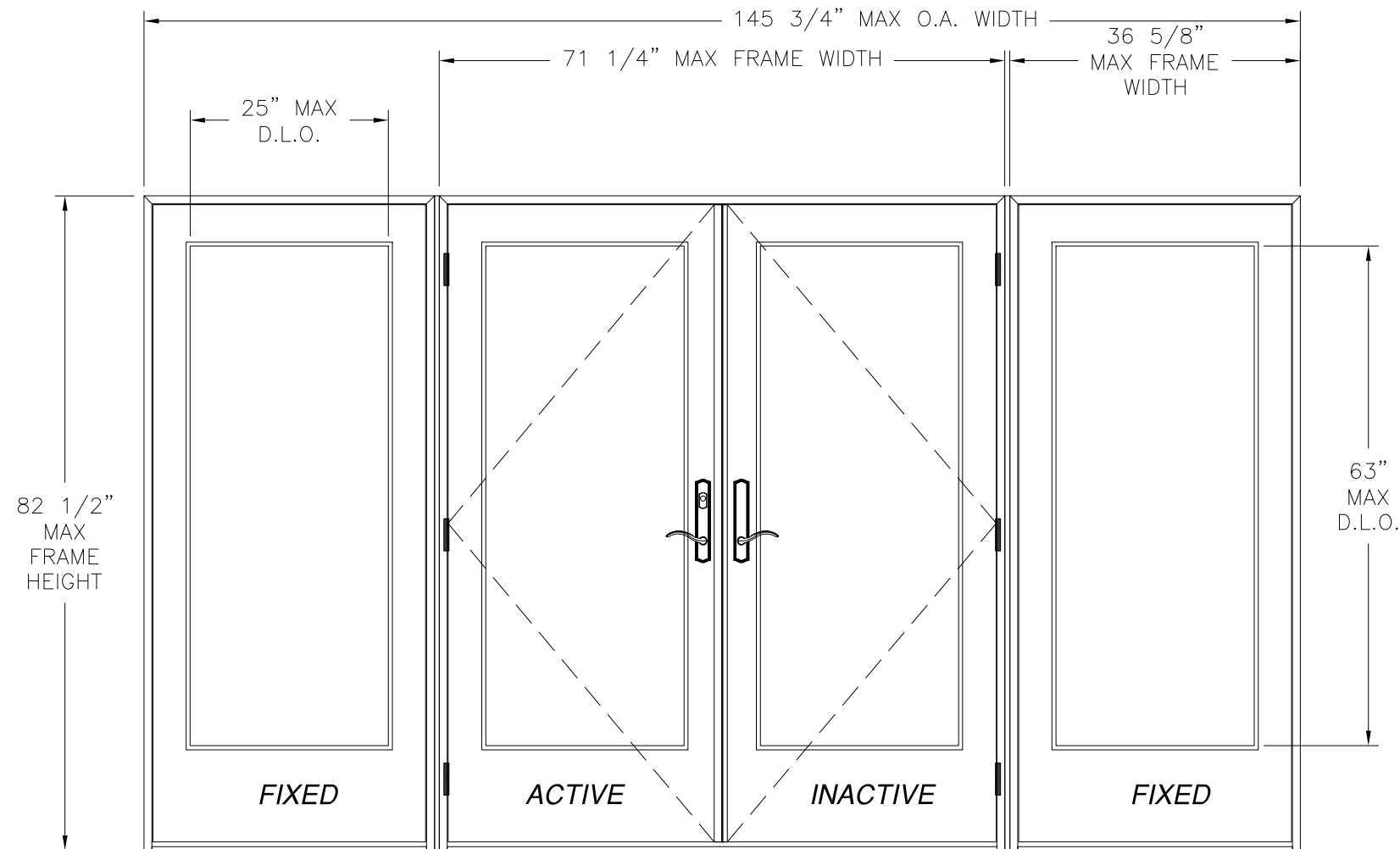


REVISIONS			
REV	DESCRIPTION	DATE	APPROVED
A	ADDED EDGE DISTANCES	11/05/14	R.L



**OUT-SWING ENTRANCE DOUBLE DOOR (SLPS)**  
**W/ SIDELITES FIBERGLASS CLAD**  
 EXTERIOR VIEW

DESIGN PRESSURE RATING	IMPACT RATING
±70PSF	NONE

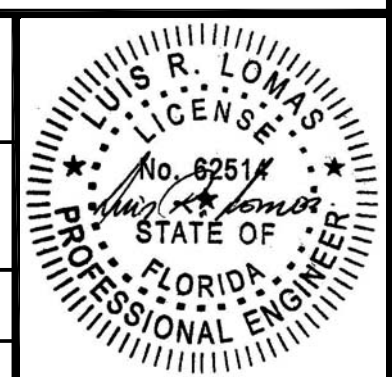
NOTES:

- 1) THE PRODUCT SHOWN HEREIN IS DESIGNED AND MANUFACTURED TO COMPLY WITH REQUIREMENTS OF FLORIDA BUILDING CODE.
- 2) WOOD FRAMING AND MASONRY OPENING TO BE DESIGNED AND ANCHORED TO PROPERLY TRANSFER ALL LOADS TO STRUCTURE. WOOD FRAMING OPENING IS THE RESPONSIBILITY OF THE ARCHITECT OR ENGINEER OF RECORD.
- 3) 1X BUCK OVER MASONRY/CONCRETE IS OPTIONAL. WHERE 1X BUCK IS NOT USED DISSIMILAR MATERIALS MUST BE SEPARATED WITH APPROVED COATING OR MEMBRANE. SELECTION OF COATING OR MEMBRANE IS THE RESPONSIBILITY OF THE ARCHITECT OR ENGINEER OF RECORD.
- 4) APPROVED IMPACT PROTECTIVE SYSTEM IS REQUIRED FOR THIS PRODUCT IN WIND BORNE DEBRIS REGIONS.
- 5) UNITS MUST BE GLAZED PER ASTM E1300-04. SEE SHEET 5 FOR GLAZING DETAIL.
- 6) ALLOWABLE STRESS INCREASE OF 1/3 WAS NOT USED IN THE DESIGN OF THE PRODUCT SHOWN HEREIN. WIND LOAD DURATION FACTOR Cd=1.6 WAS USED FOR WOOD ANCHOR CALCULATIONS.
- 7) FRAME JAMB AND HEAD MATERIAL: CO-EXTRUDED PVC FOAM.
- 8) FRAME SILL MATERIAL: CO-EXTRUDED PVC FOAM WITH ALUMINUM CLADDING.
- 9) DOOR PANEL SIDELITE MATERIAL: FIBERGLASS SKIN WITH PVC FOAM TOP AND BOTTOM RAILS, AND PVC FOAM VERTICAL STILES WITH PINE REINFORCEMENTS AND POLYURETHANE FOAM CORE.
- 10) HINGE LOCATION: 9", 40 7/8" AND 72 1/2" FROM BOTTOM.
- 11) MAX PANEL SIZE: 34 1/2" X 80 5/16"

SIGNED: 11/06/2014

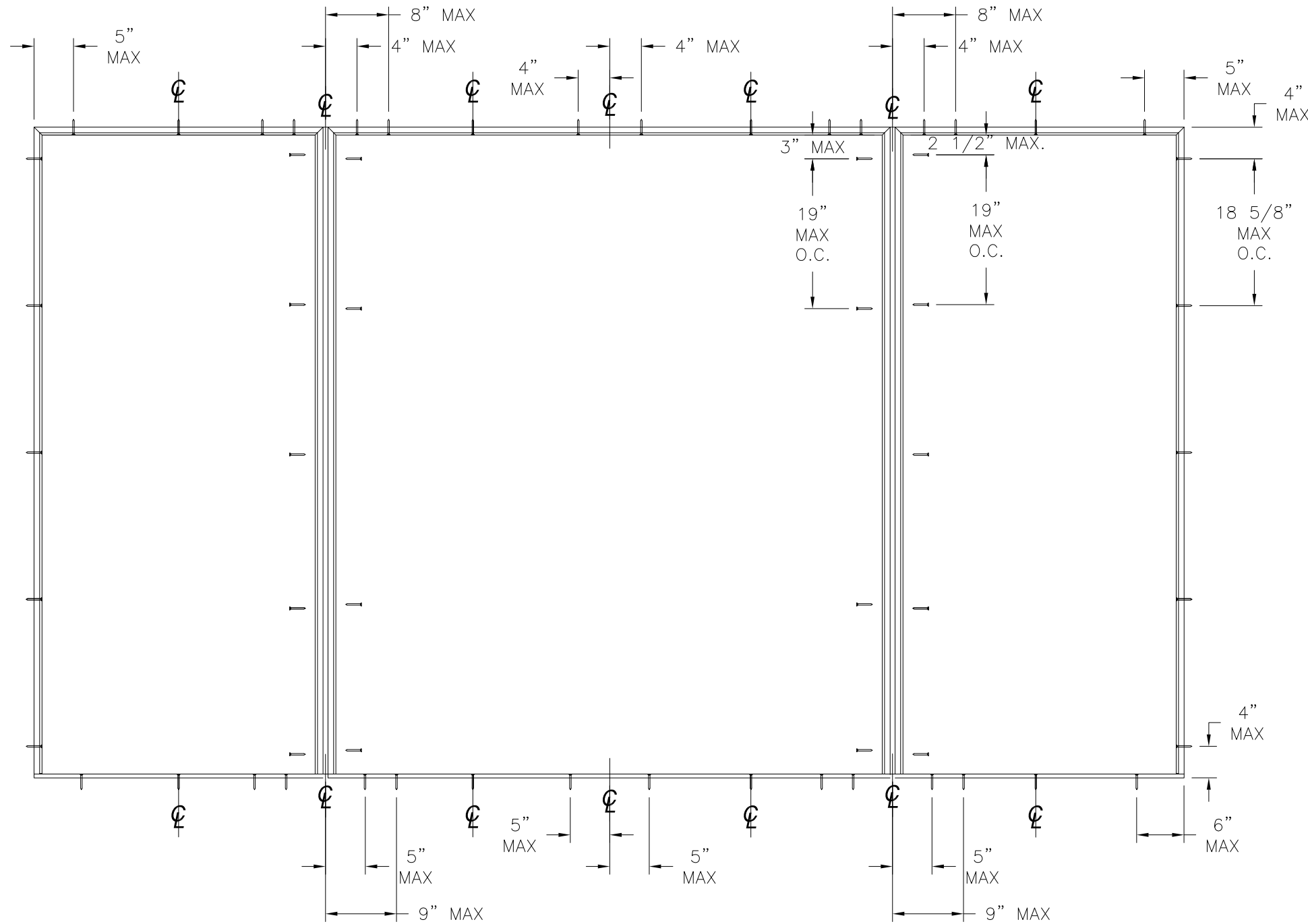
TABLE OF CONTENTS	
SHEET NO.	DESCRIPTION
1, 2	ELEVATION AND NOTES
3, 4	ANCHORING LAYOUTS
5 - 9	INSTALLATION DETAILS

<b>NAN YA PLASTICS CORP. USA</b> 8989 NORTH LOOP EAST HOUSTON, TX 77029		
OUTSEING ENTRANCE DOOR (SLPS) NON-IMPACT W/ & W/O SIDELITES FIBERGLASS CLAD ELEVATION AND NOTES		
DRAWN: V.L.	DWG NO. 08-01891	REV A
SCALE NTS	DATE 11/06/2014	SHEET 1 OF 9





REVISIONS			
REV	DESCRIPTION	DATE	APPROVED
A	ADDED EDGE DISTANCES	11/05/14	R.L



ANCHORING LAYOUT

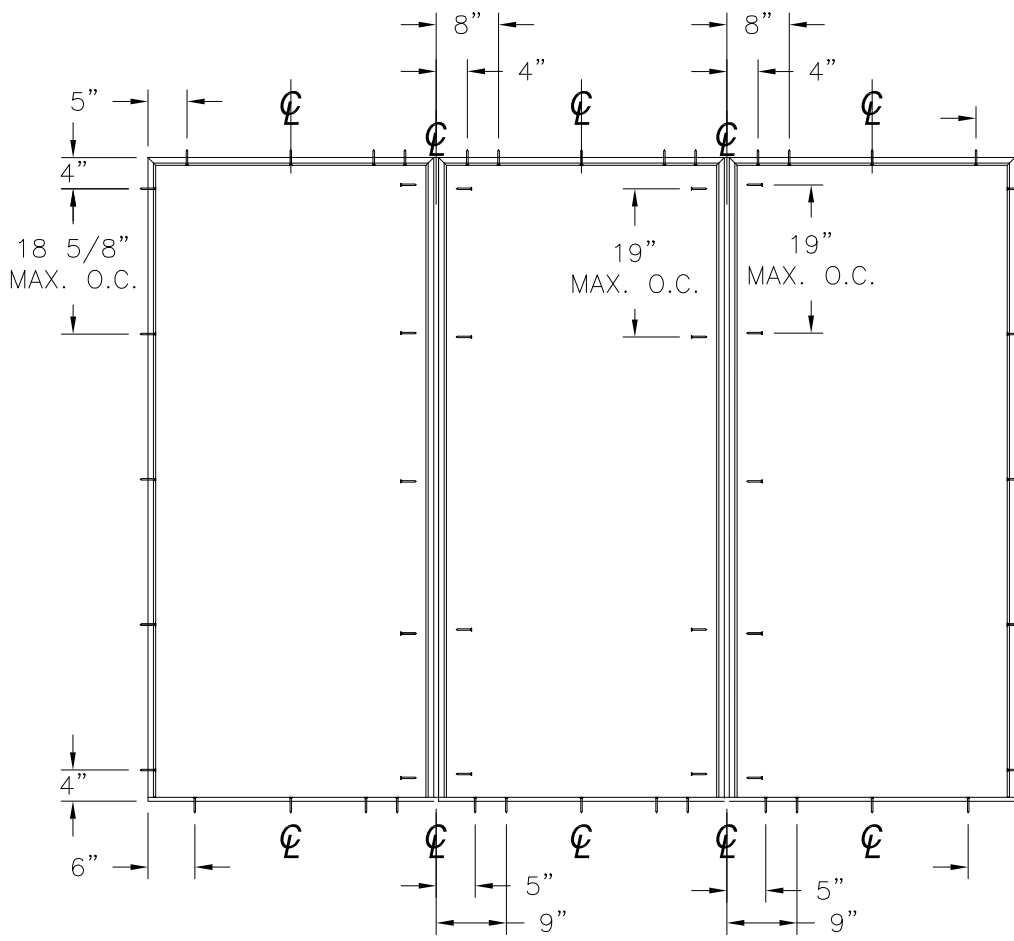
ANCHORING NOTES:

- 1) SHIM AS REQUIRED AT EACH INSTALLATION ANCHOR WITH LOAD BEARING SHIM. SHIM WHERE SPACE OF 1/16" OR GREATER OCCURS. MAXIMUM ALLOWABLE SHIM STACK TO BE 1/4".
- 2) FOR ANCHORING INTO MASONRY/CONCRETE USE 3/16" TAPCON OF SUFFICIENT LENGTH TO ACHIEVE A 1 1/4" MINIMUM EMBEDMENT INTO SUBSTRATE. LOCATE ANCHORS AS SHOWN IN ANCHORING LAYOUT AND INSTALLATION DETAILS.
- 3) FOR ANCHORING INTO 2X BUCK OR WOOD FRAMING USE #10 WOOD SCREW OF SUFFICIENT LENGTH TO ACHIEVE A 1 3/8" MINIMUM EMBEDMENT INTO SUBSTRATE. LOCATE ANCHORS AS SHOWN IN ANCHORING LAYOUT AND INSTALLATION DETAILS.
- 4) ALL FASTENERS TO BE CORROSION RESISTANT.
- 5) INSTALLATION ANCHORS SHALL BE INSTALLED IN ACCORDANCE WITH ANCHOR MANUFACTURER'S INSTALLATION INSTRUCTIONS, AND ANCHORS SHALL NOT BE USED IN SUBSTRATES WITH STRENGTHS LESS THAN THE MINIMUM STRENGTH SPECIFIED BELOW:
  - A. WOOD – MINIMUM SPECIFIC GRAVITY OF G=0.42
  - B. CONCRETE – MINIMUM COMPRESSIVE STRENGTH OF 3,200 PSI.
  - C. MASONRY – STRENGTH CONFORMANCE TO ASTM C-90, GRADE N, TYPE 1 (OR GREATER).

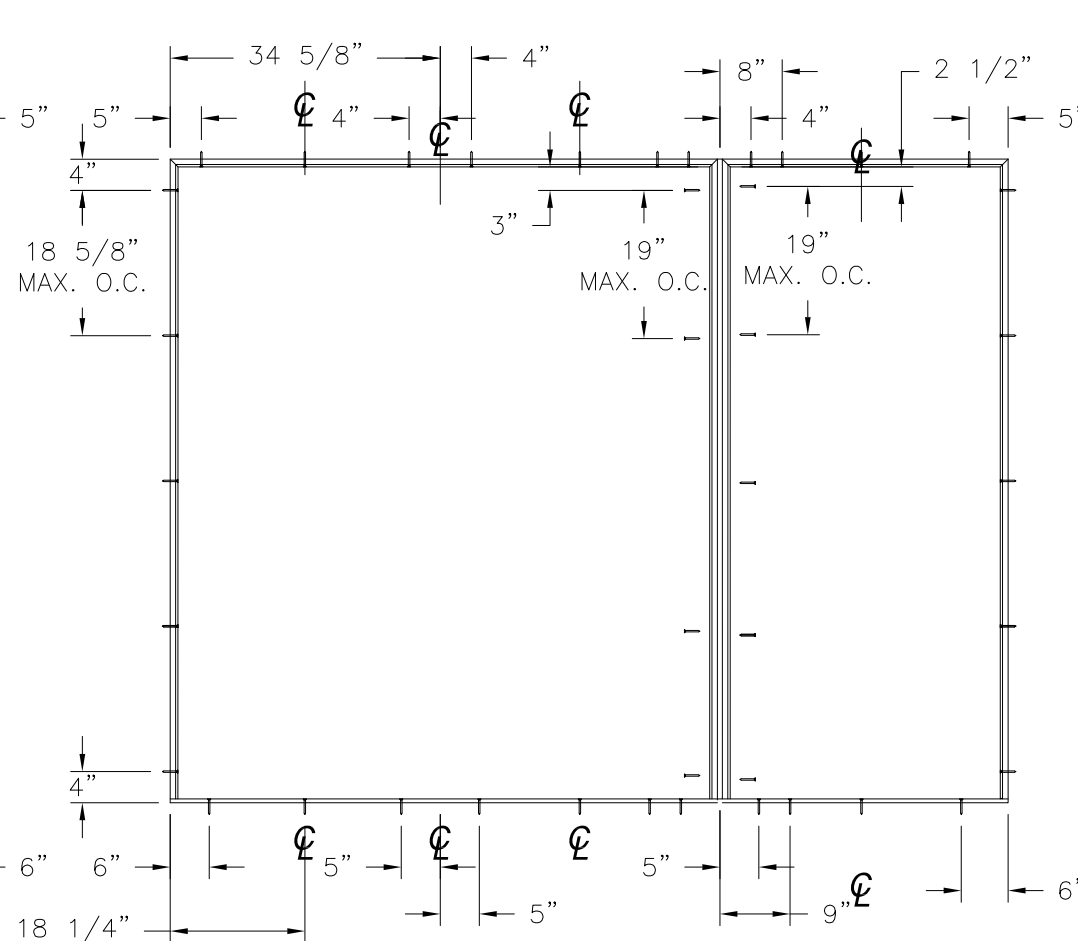
SIGNED: 11/06/2014

<b>NAN YA PLASTICS CORP. USA</b> 8989 NORTH LOOP EAST HOUSTON, TX 77029		
OUTSEING ENTRANCE DOOR (SLPS) NON-IMPACT W/ & W/O SIDELITES FIBERGLASS CLAD ANCHORING LAYOUT		
DRAWN: V.L.	DWG NO. 08-01891	REV A
SCALE NTS	DATE 11/06/2014	SHEET 3 OF 9

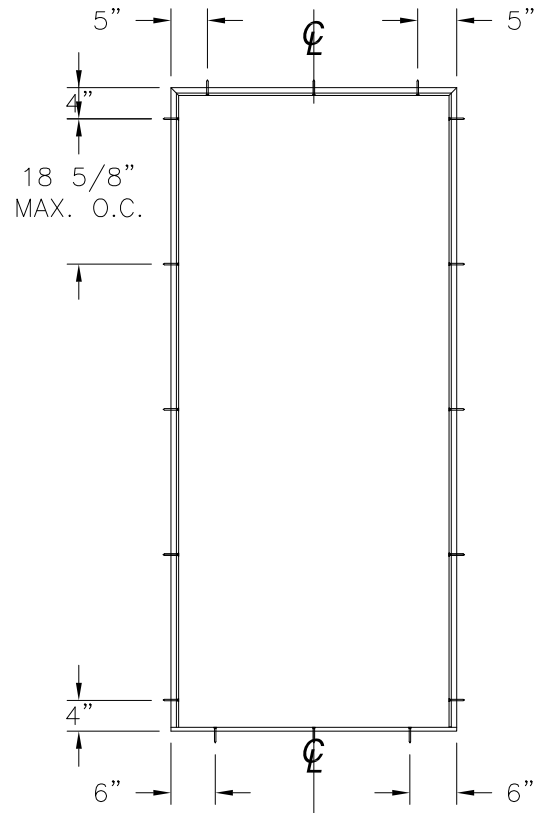




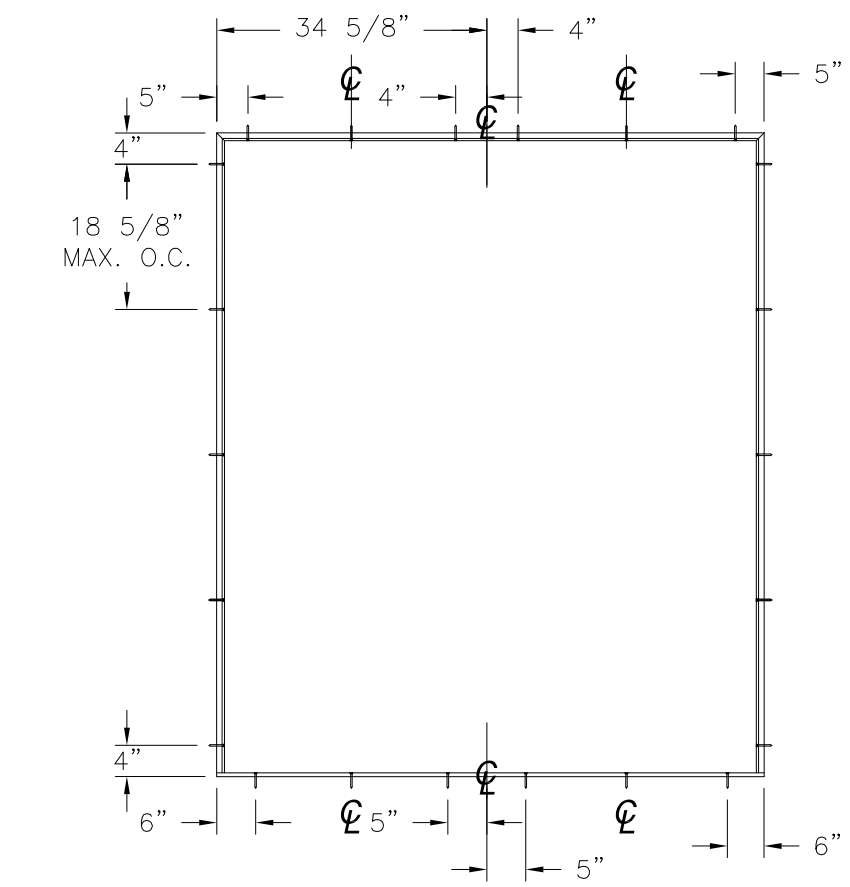
ANCHORING LAYOUT FOR OXO



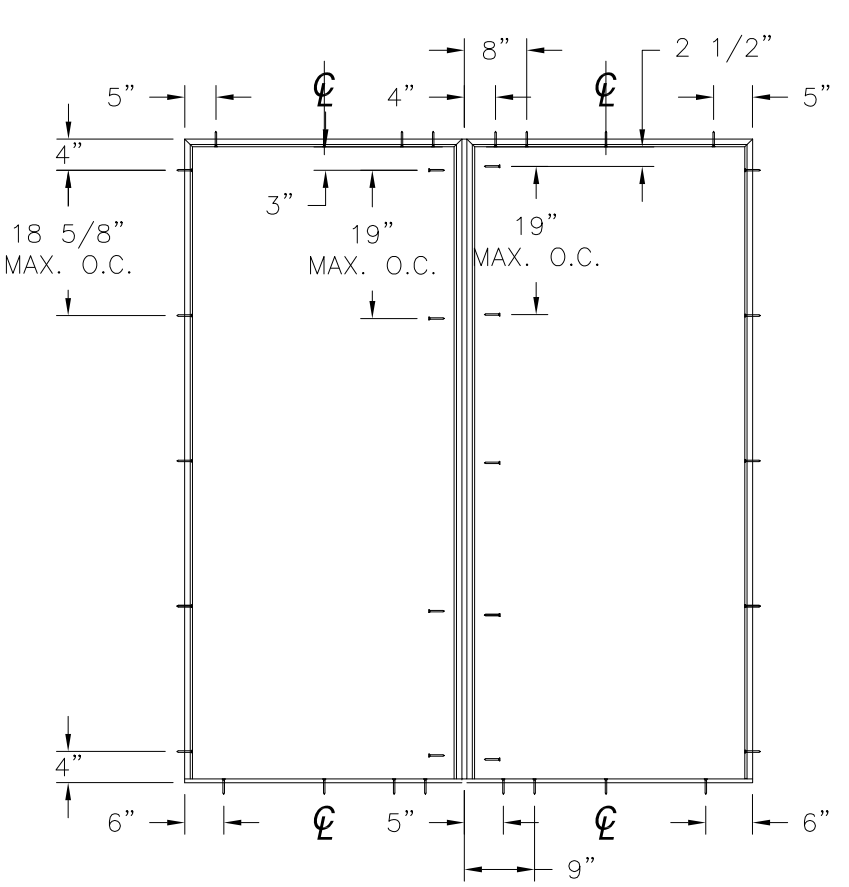
ANCHORING LAYOUT FOR XXO AND OXX



ANCHORING LAYOUT FOR X



ANCHORING LAYOUT FOR XX



ANCHORING LAYOUT FOR OX AND XO

REVISIONS			
REV	DESCRIPTION	DATE	APPROVED
A	ADDED EDGE DISTANCES	11/05/14	R.L

NAN YA PLASTICS CORP. USA  
 8989 NORTH LOOP EAST  
 HOUSTON, TX 77029

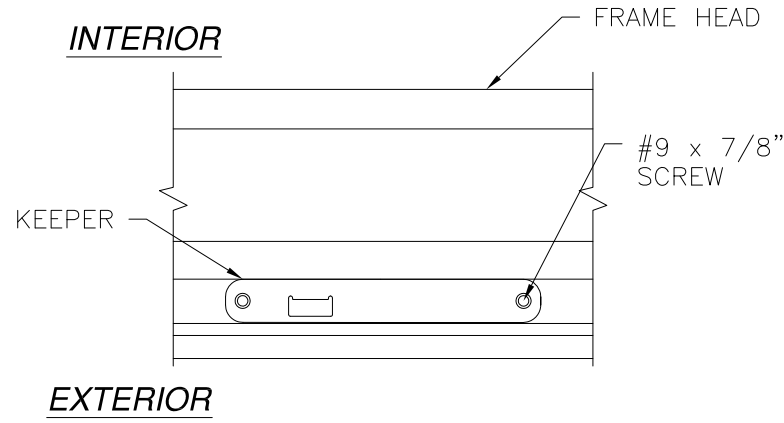
OUTSEING ENTRANCE DOOR (SLPS) NON-IMPACT  
 W/ & W/O SIDELITES FIBERGLASS CLAD  
 ANCHORING LAYOUTS

DRAWN: V.L.	DWG NO. 08-01891	REV A
SCALE NTS	DATE 11/06/2014	SHEET 4 OF 9

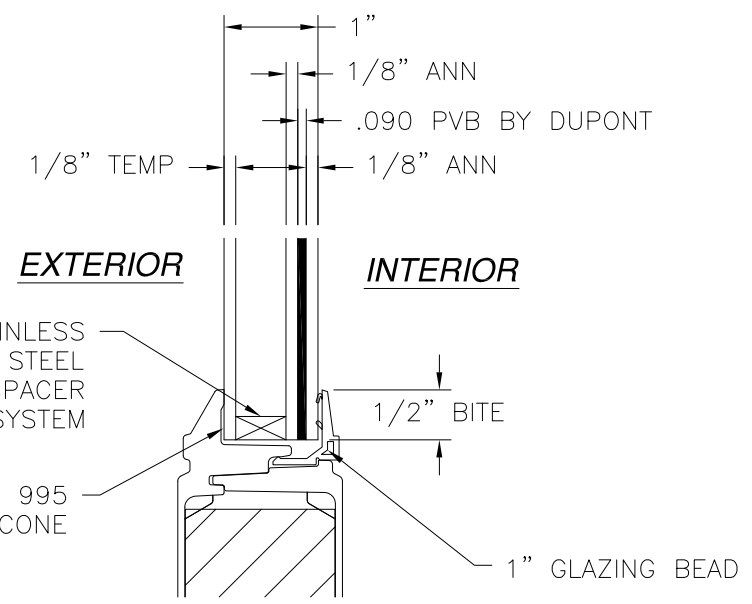
SIGNED: 11/06/2014



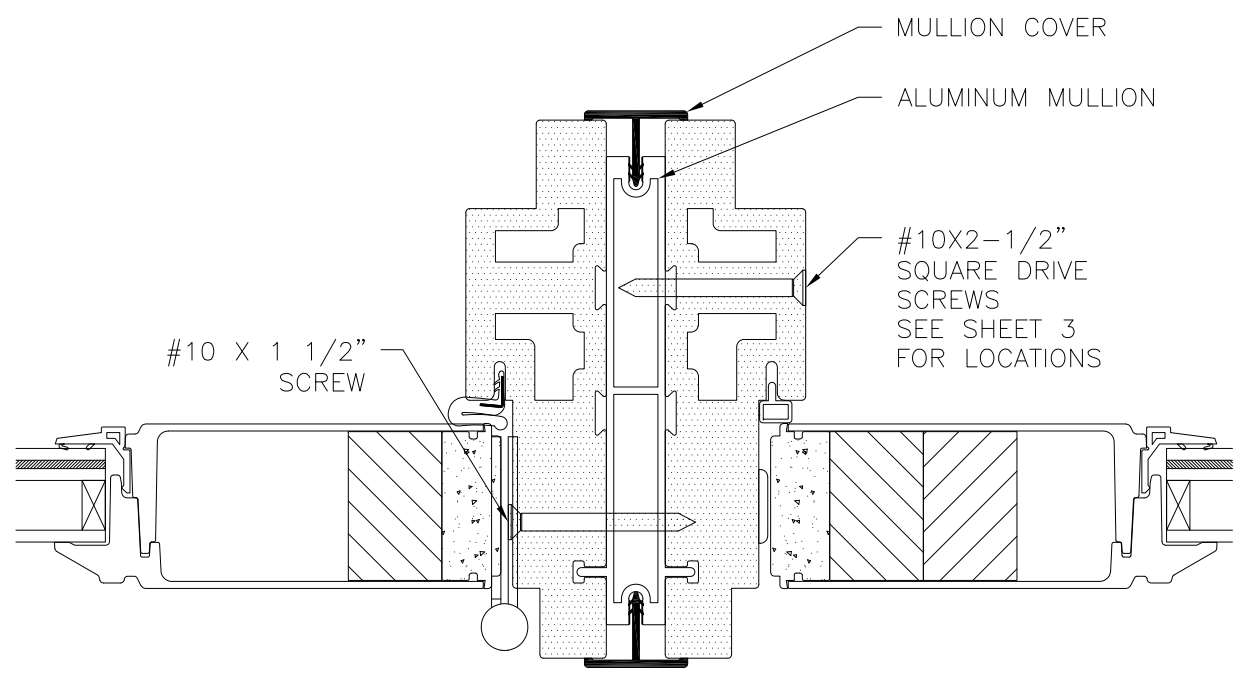
REVISIONS			
REV	DESCRIPTION	DATE	APPROVED
A	ADDED EDGE DISTANCES	11/05/14	R.L



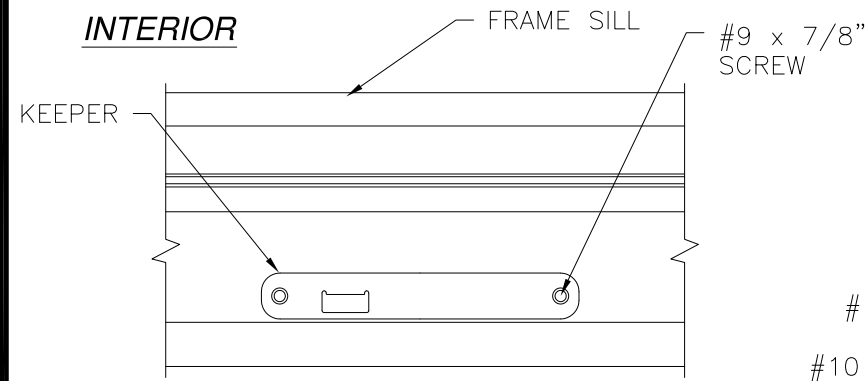
**HEAD KEEPER DETAIL**



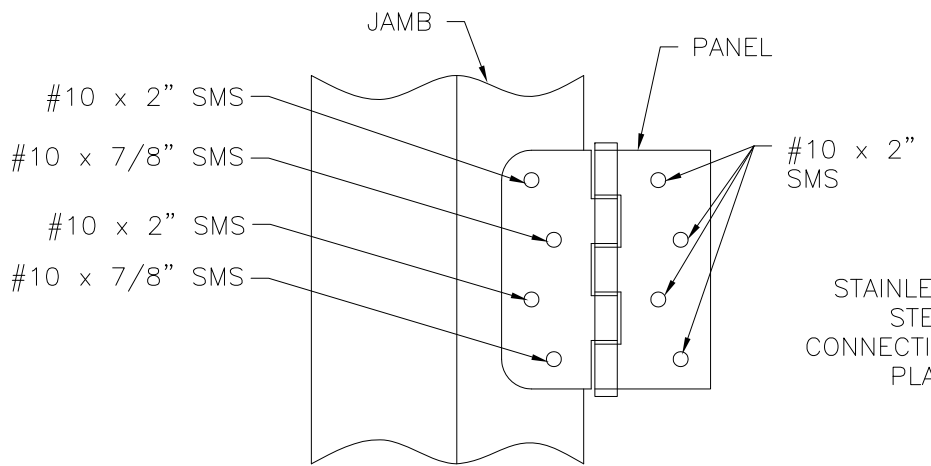
**GLAZING DETAIL**



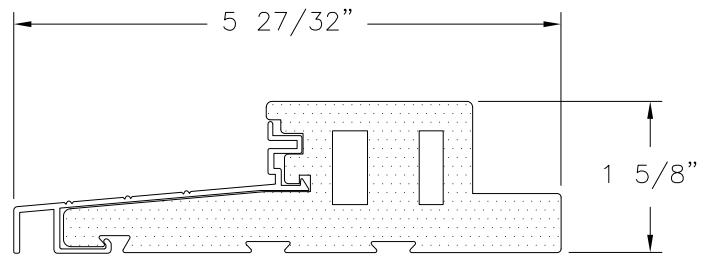
**MULLION DETAIL**



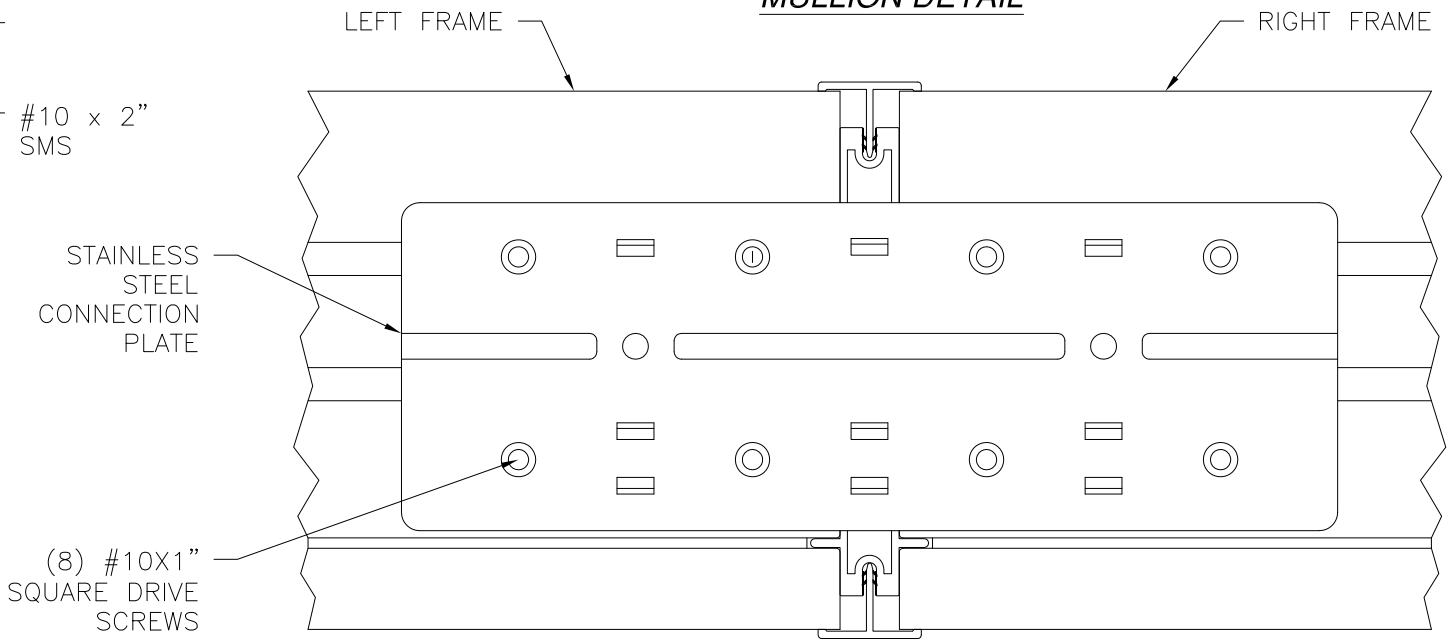
**SILL KEEPER DETAIL**



**HINGE INSTALLATION DETAIL**



**OUTSWING DOOR SILL DETAIL**



**FRAME CONNECTION DETAIL**

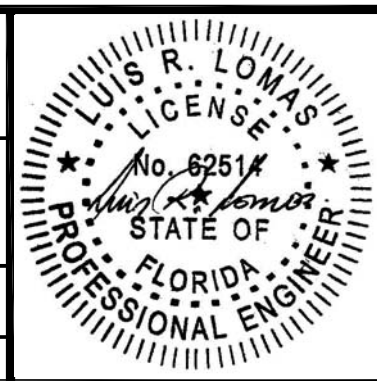
SIGNED: 11/06/2014

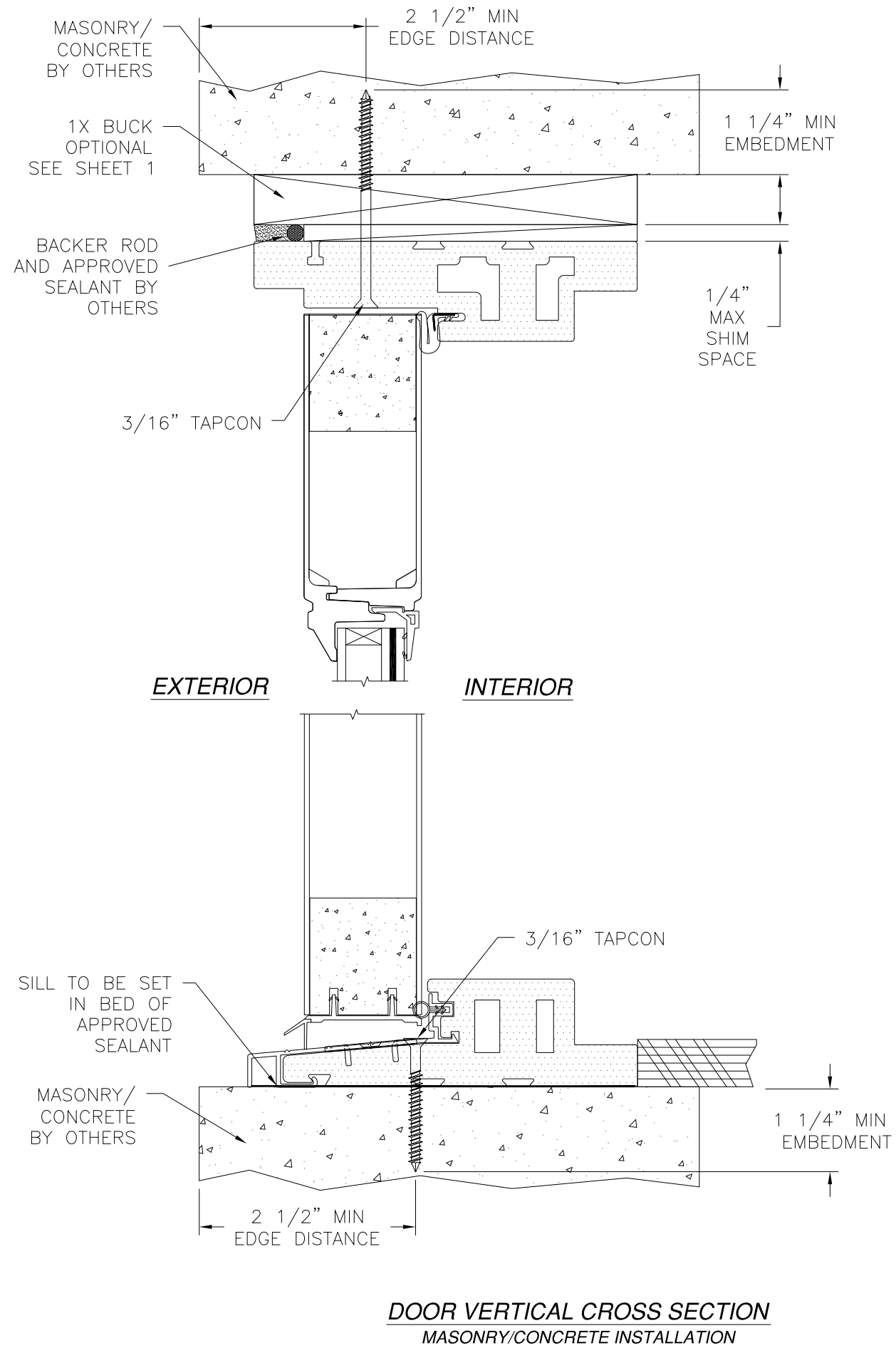
HARDWARE SCHEDULE	
A.	(3) 4" BUTT HINGE
B.	2 POINT LOCK SYSTEM
C.	RIGID PVC ASTRAGAL WITH ALUMINUM REINFORCEMENT

NAN YA PLASTICS CORP. USA  
 8989 NORTH LOOP EAST  
 HOUSTON, TX 77029

OUTSEING ENTRANCE DOOR (SLPS) NON-IMPACT  
 W/ & W/O SIDELITES FIBERGLASS CLAD  
 INSTALLATION DETAILS

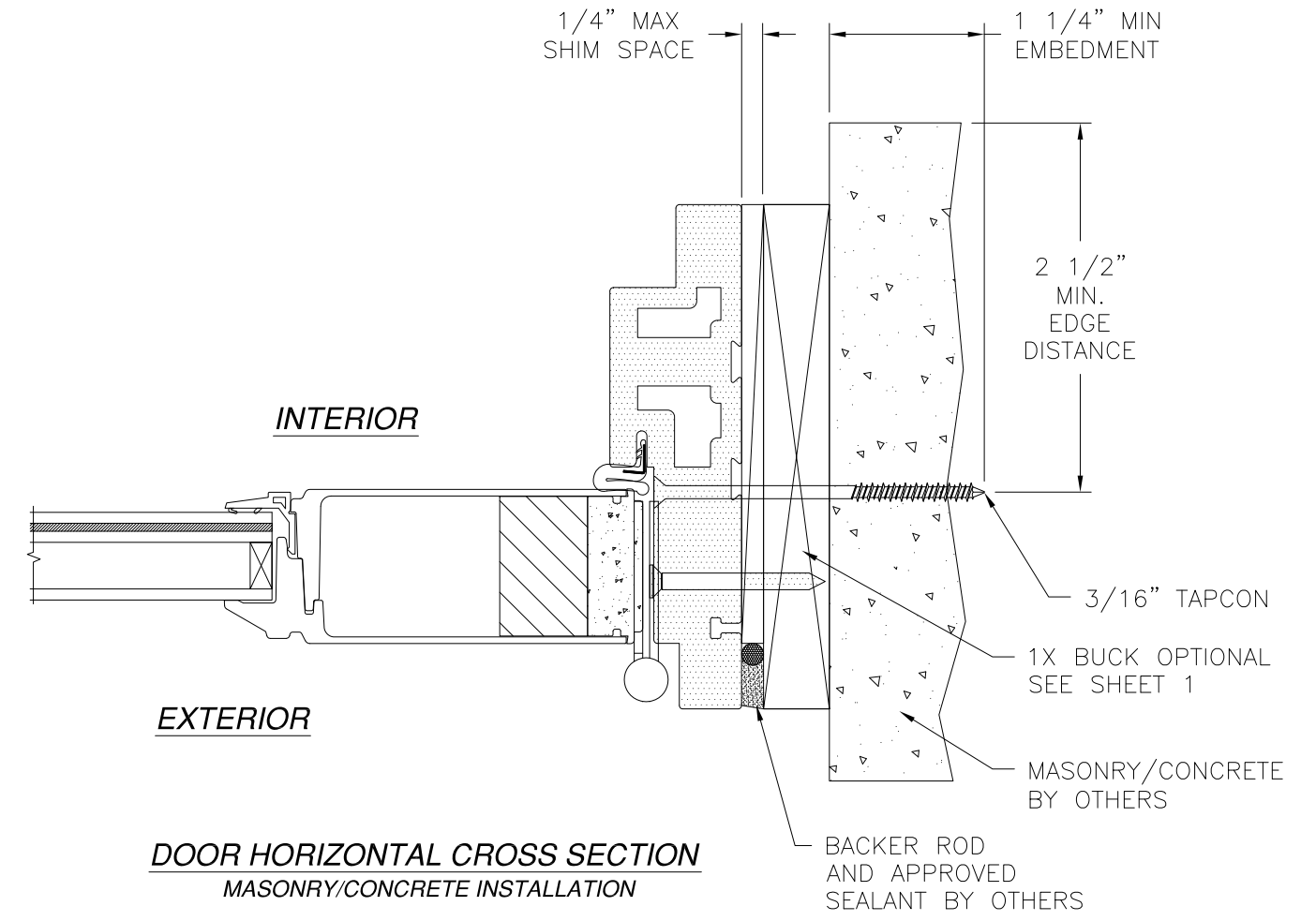
DRAWN: V.L.	DWG NO. 08-01891	REV A
SCALE NTS	DATE 11/06/2014	SHEET 5 OF 9





**DOOR VERTICAL CROSS SECTION**  
MASONRY/CONCRETE INSTALLATION

REVISIONS			
REV	DESCRIPTION	DATE	APPROVED
A	ADDED EDGE DISTANCES	11/05/14	R.L

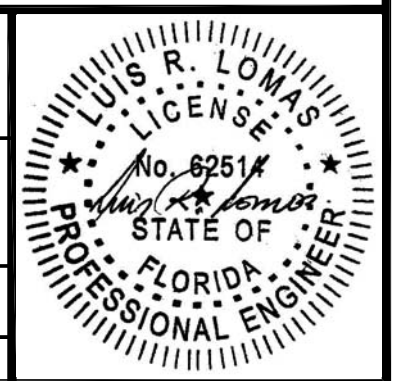


**DOOR HORIZONTAL CROSS SECTION**  
MASONRY/CONCRETE INSTALLATION

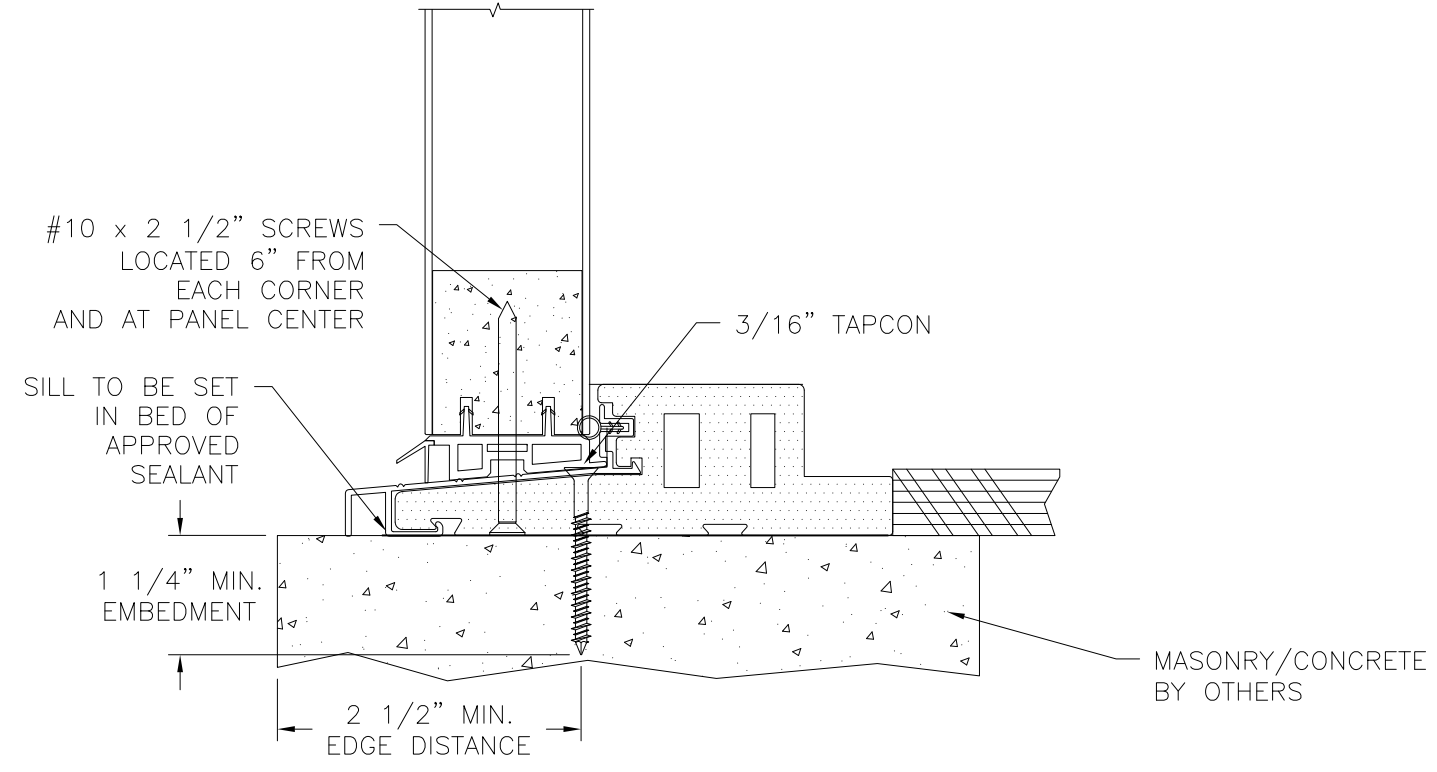
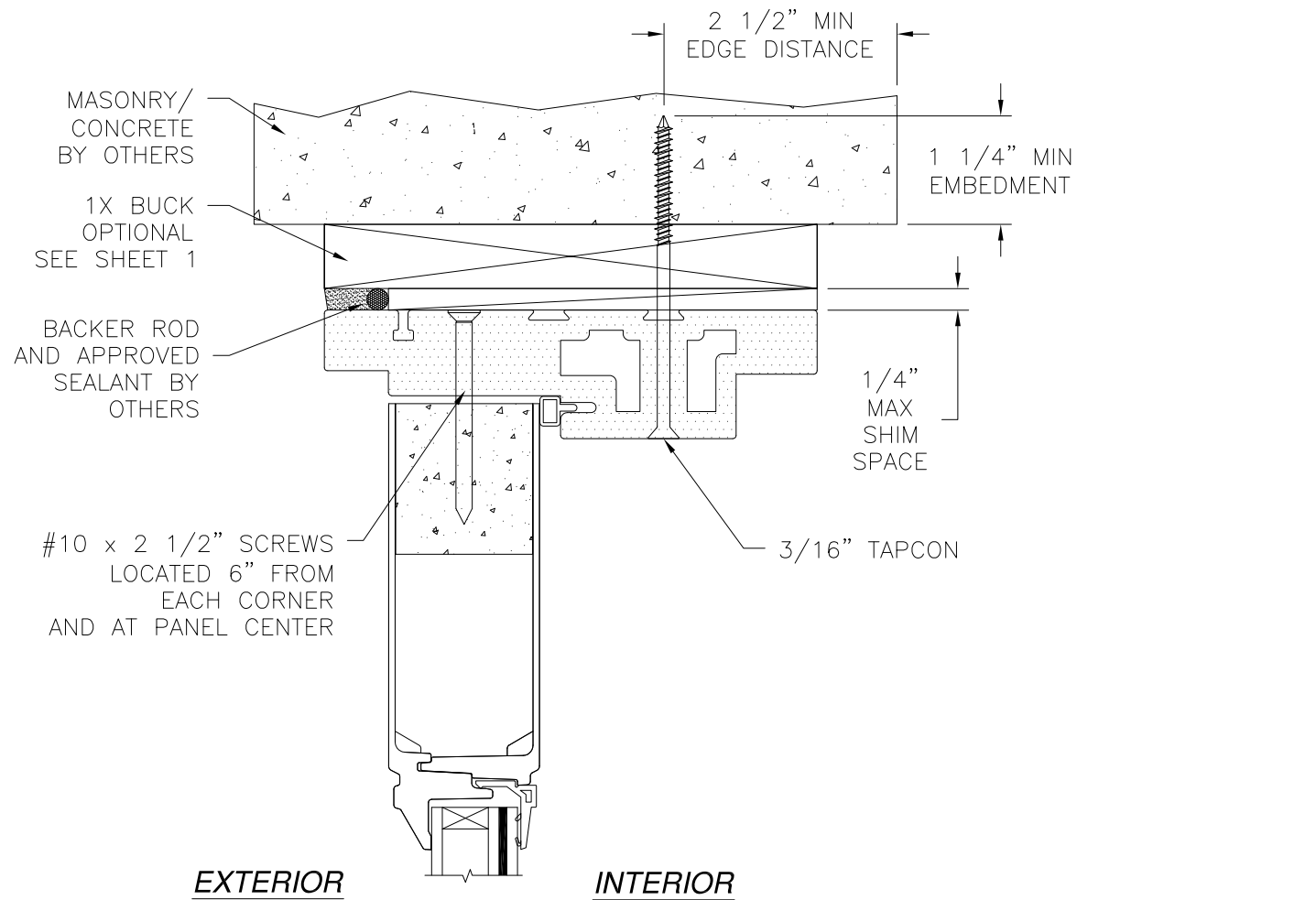
**NOTE:**  
INTERIOR AND EXTERIOR FINISHES, BY OTHERS, NOT SHOWN FOR CLARITY.  
ANCHORS MAY BE INSTALLED INSIDE OR OUTSIDE FRAME.

SIGNED: 11/06/2014

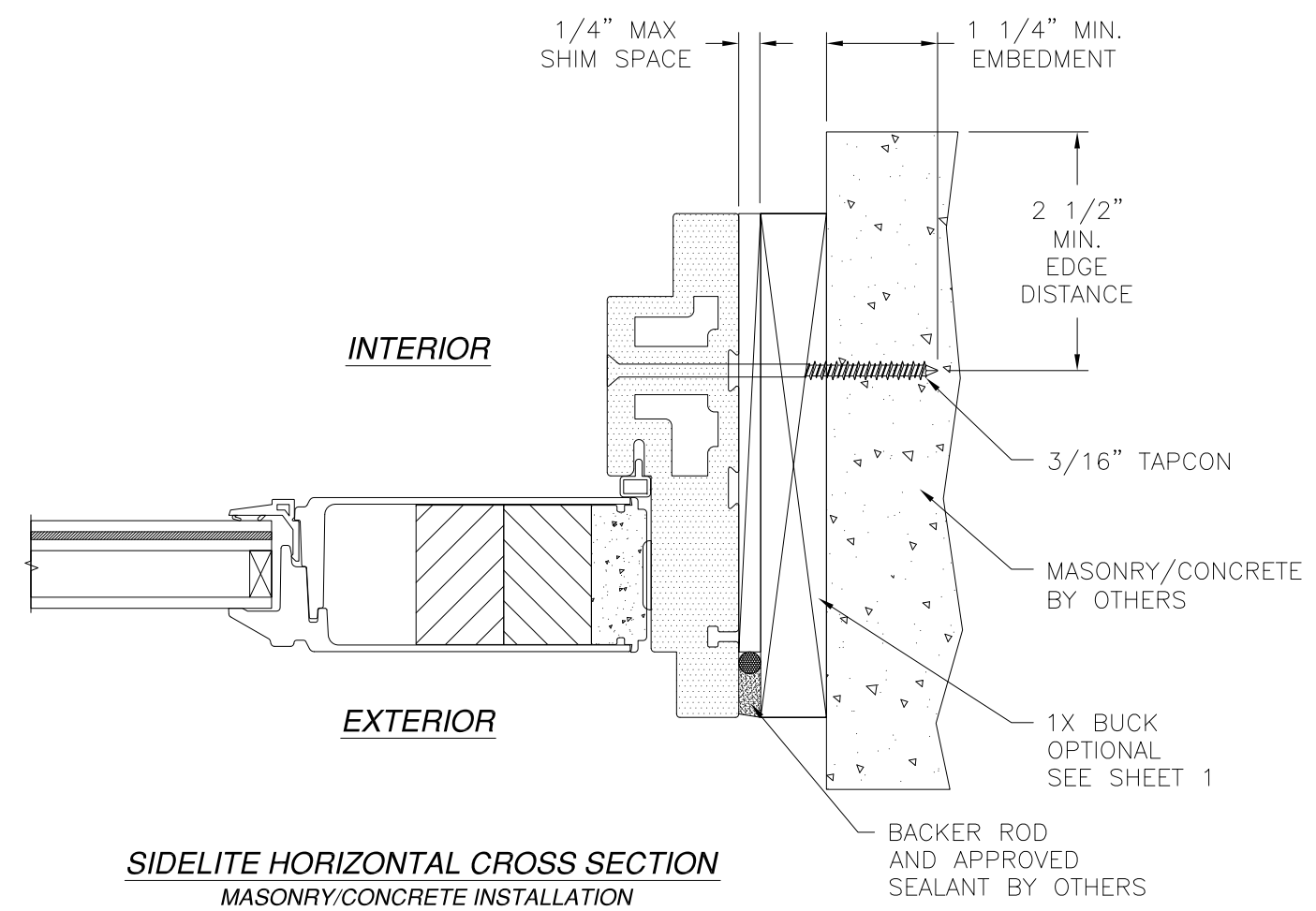
<p><b>NAN YA PLASTICS CORP. USA</b> 8989 NORTH LOOP EAST HOUSTON, TX 77029</p>		
<p>OUTSEING ENTRANCE DOOR (SLPS) NON-IMPACT W/ &amp; W/O SIDELITES FIBERGLASS CLAD INSTALLATION DETAILS</p>		
DRAWN: V.L.	DWG NO. 08-01891	REV A
SCALE NTS	DATE 11/06/2014	SHEET 6 OF 9



REVISIONS			
REV	DESCRIPTION	DATE	APPROVED
A	ADDED EDGE DISTANCES	11/05/14	R.L.



**SIDELITE VERTICAL CROSS SECTION**  
MASONRY/CONCRETE INSTALLATION



**SIDELITE HORIZONTAL CROSS SECTION**  
MASONRY/CONCRETE INSTALLATION

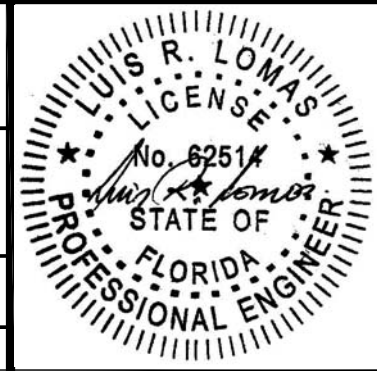
NOTE:  
INTERIOR AND EXTERIOR FINISHES, BY OTHERS, NOT  
SHOWN FOR CLARITY.

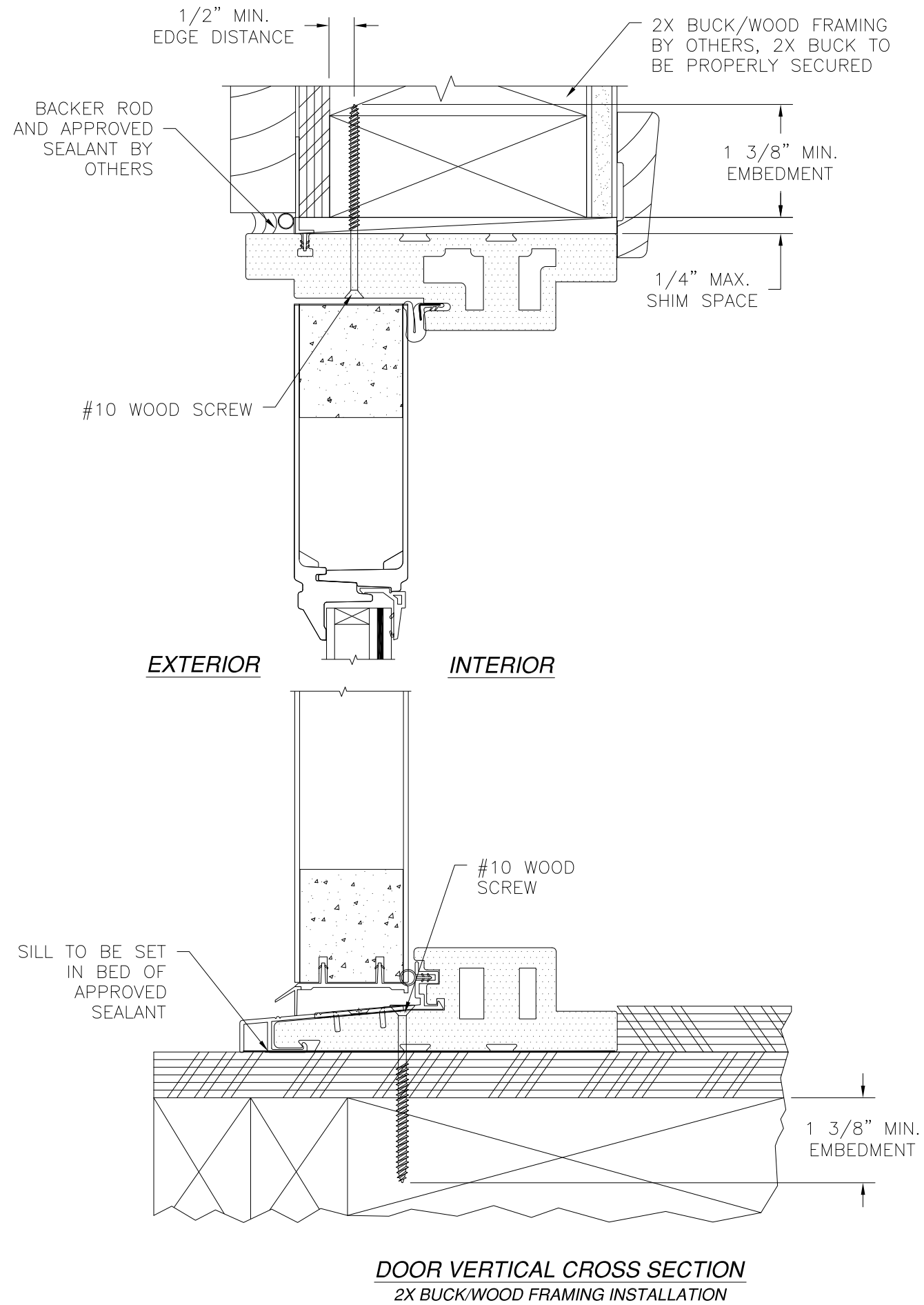
SIGNED: 11/06/2014

NAN YA PLASTICS CORP. USA  
8989 NORTH LOOP EAST  
HOUSTON, TX 77029

OUTSEING ENTRANCE DOOR (SLPS) NON-IMPACT  
W/ & W/O SIDELITES FIBERGLASS CLAD  
INSTALLATION DETAILS

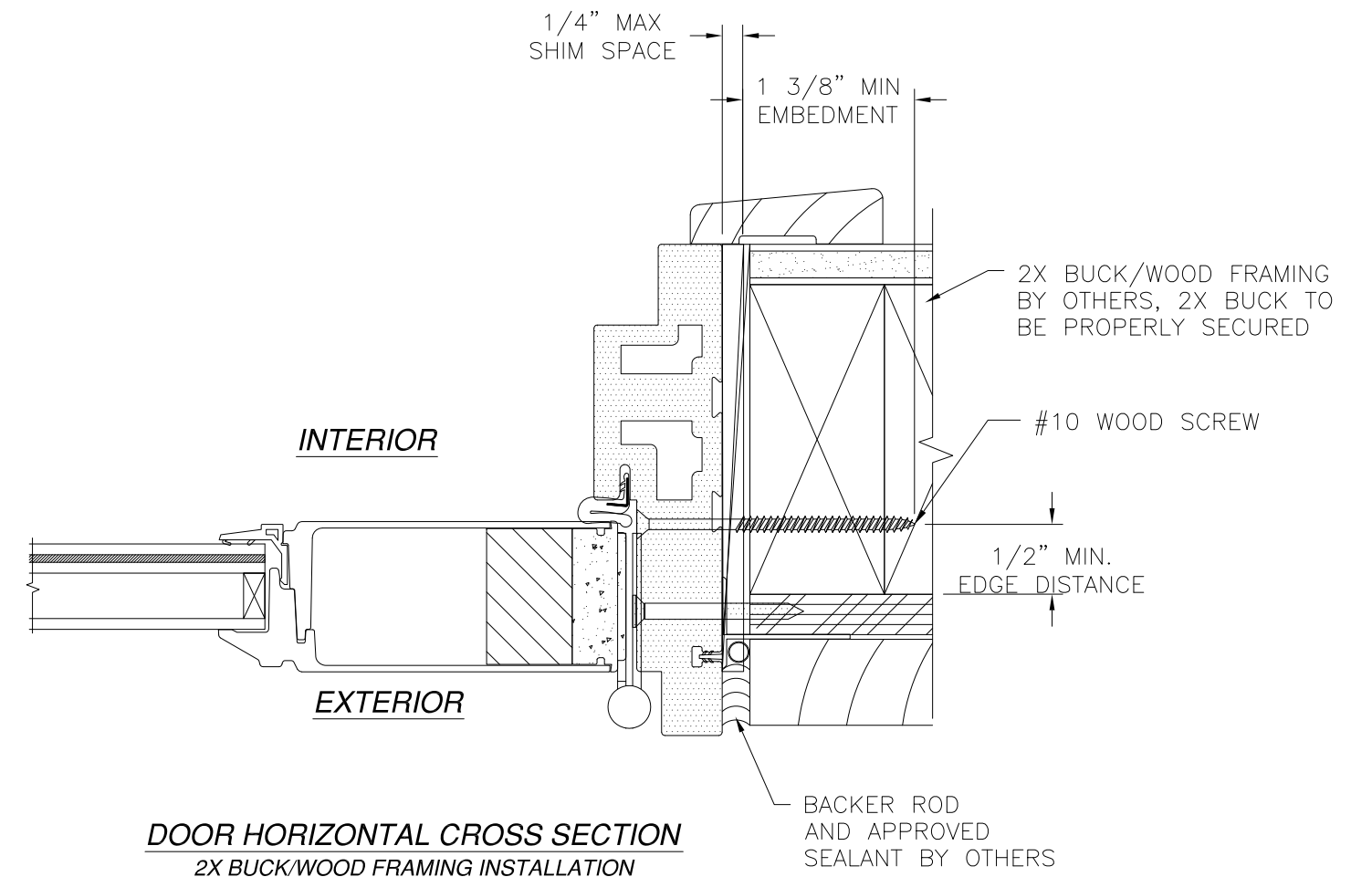
DRAWN: V.L.	DWG NO. 08-01891	REV A
SCALE NTS	DATE 11/06/2014	SHEET 7 OF 9





**DOOR VERTICAL CROSS SECTION**  
2X BUCK/WOOD FRAMING INSTALLATION

REVISIONS			
REV	DESCRIPTION	DATE	APPROVED
A	ADDED EDGE DISTANCES	11/05/14	R.L

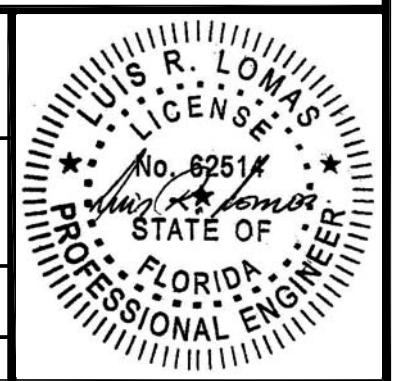


**DOOR HORIZONTAL CROSS SECTION**  
2X BUCK/WOOD FRAMING INSTALLATION

**NOTE:**  
INTERIOR AND EXTERIOR FINISHES, BY OTHERS, NOT SHOWN FOR CLARITY.  
ANCHORS MAY BE INSTALLED INSIDE OR OUTSIDE FRAME.

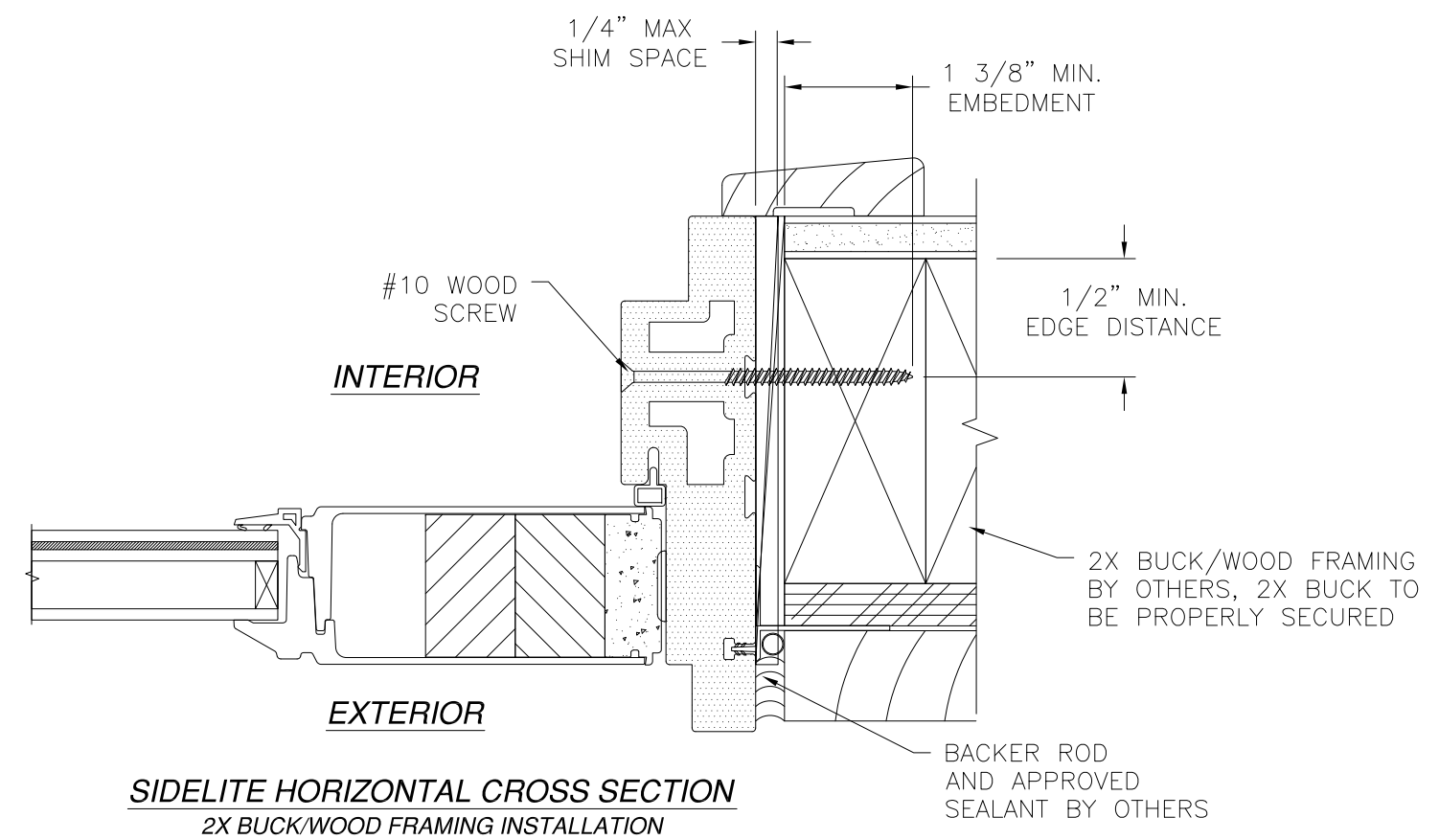
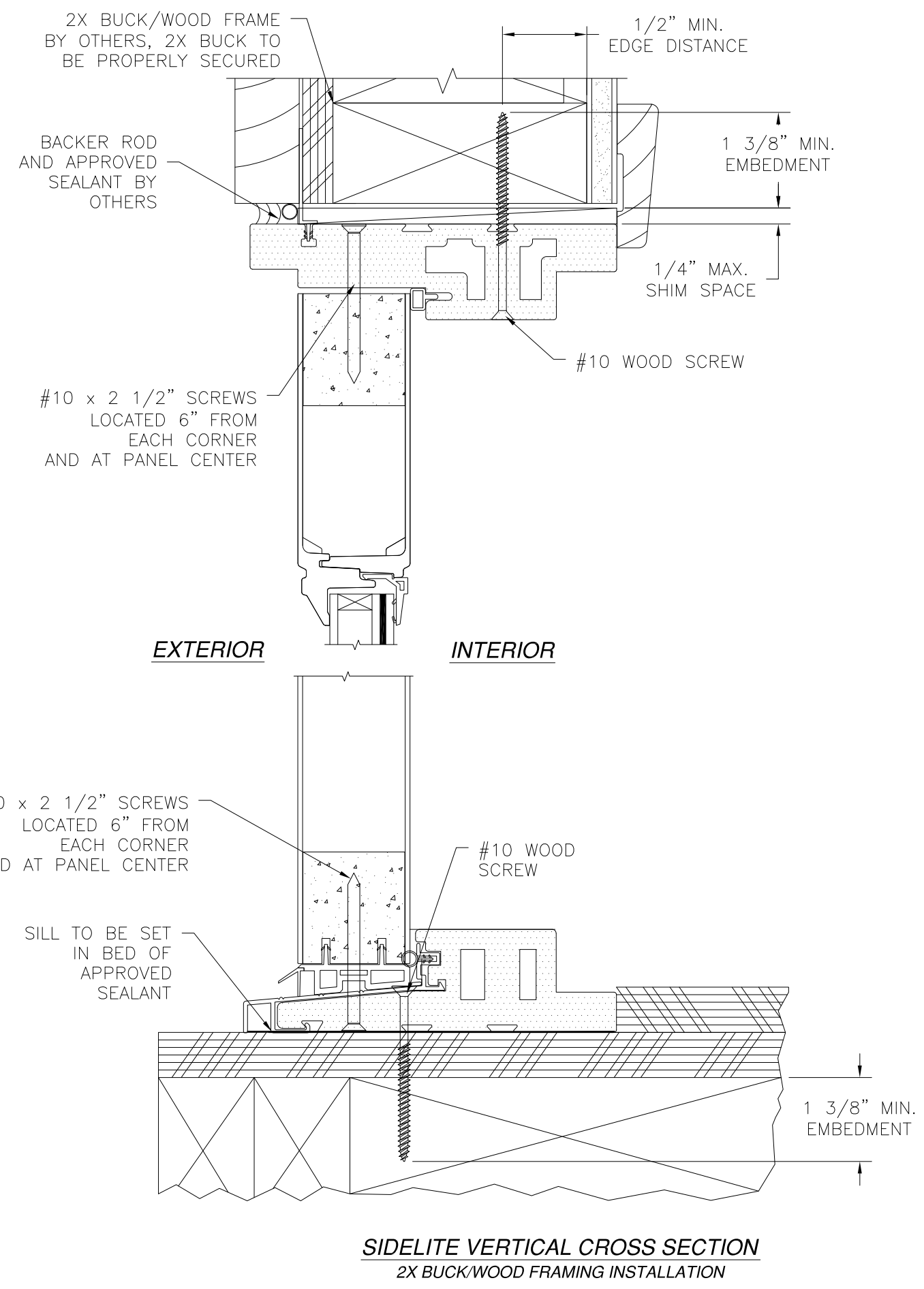
SIGNED: 11/06/2014

<p>NAN YA PLASTICS CORP. USA 8989 NORTH LOOP EAST HOUSTON, TX 77029</p>		
<p>OUTSEING ENTRANCE DOOR (SLPS) NON-IMPACT W/ &amp; W/O SIDELITES FIBERGLASS CLAD INSTALLATION DETAILS</p>		
<p>DRAWN: V.L.</p>	<p>DWG NO. 08-01891</p>	<p>REV A</p>
<p>SCALE NTS</p>	<p>DATE 11/06/2014</p>	<p>SHEET 8 OF 9</p>





REVISIONS			
REV	DESCRIPTION	DATE	APPROVED
A	ADDED EDGE DISTANCES	11/05/14	R.L.



SIGNED: 11/06/2014

NAN YA PLASTICS CORP. USA  
8989 NORTH LOOP EAST  
HOUSTON, TX 77029

OUTSEING ENTRANCE DOOR (SLPS) NON-IMPACT  
W/ & W/O SIDELITES FIBERGLASS CLAD  
INSTALLATION DETAILS

DRAWN: V.L.	DWG NO. 08-01891	REV A
SCALE NTS	DATE 11/06/2014	SHEET 9 OF 9

