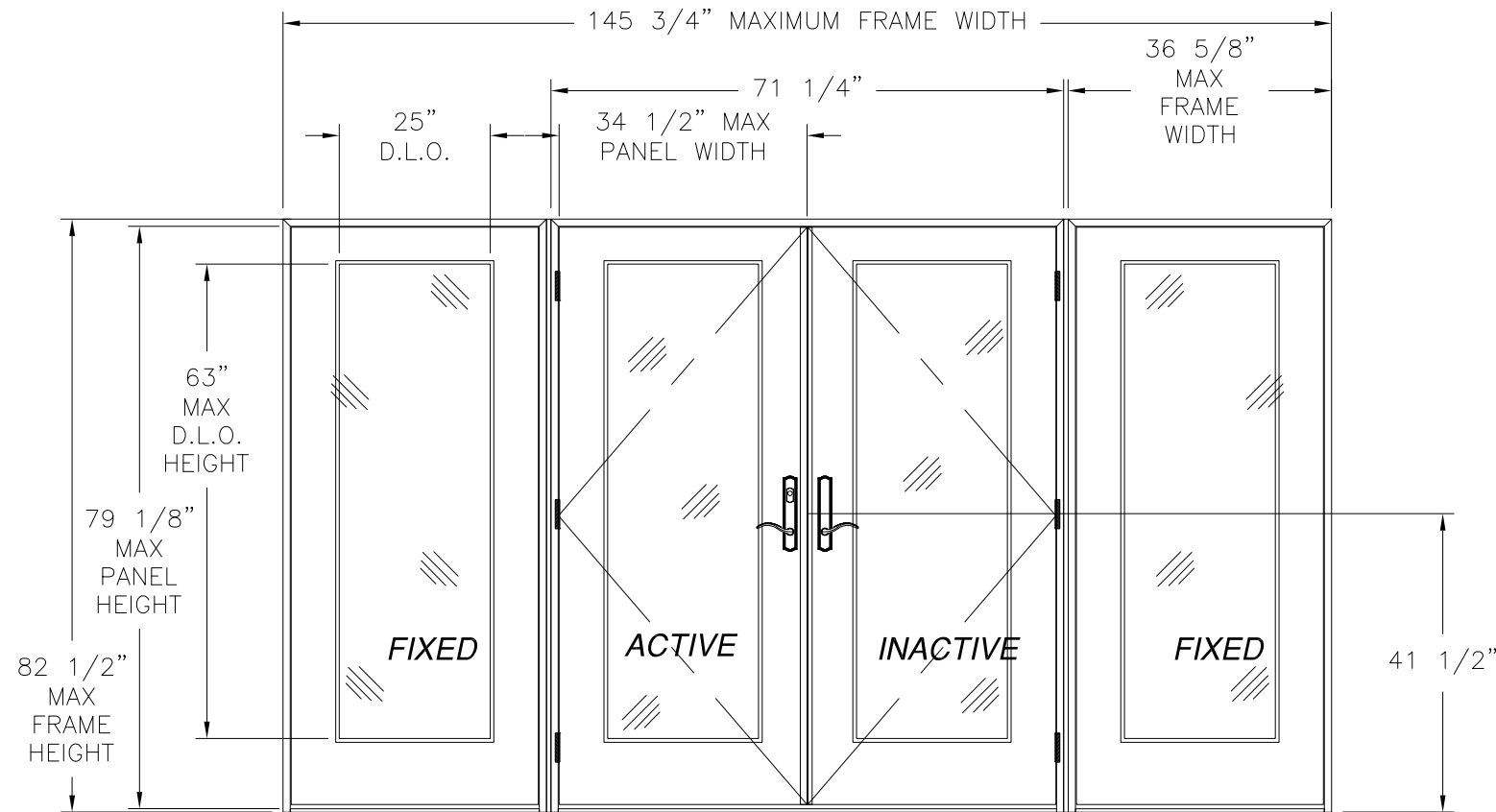


REVISIONS			
REV	DESCRIPTION	DATE	APPROVED
A	ADDED EDGE DISTANCES	11/05/14	R.L.



NOTES:

1. THE PRODUCT SHOWN HEREIN IS DESIGNED AND MANUFACTURED TO COMPLY WITH REQUIREMENTS OF THE FLORIDA BUILDING CODE.
2. WOOD FRAMING AND MASONRY OPENING TO BE DESIGNED AND ANCHORED TO PROPERLY TRANSFER ALL LOADS TO STRUCTURE. FRAMING AND MASONRY OPENING IS THE RESPONSIBILITY OF THE ARCHITECT OR ENGINEER OF RECORD.
3. 1X BUCK OVER MASONRY/CONCRETE IS OPTIONAL. WHERE 1X BUCK IS NOT USED DISSIMILAR MATERIALS MUST BE SEPARATED WITH APPROVED COATING OR MEMBRANE. SELECTION OF COATING OR MEMBRANE IS THE RESPONSIBILITY OF THE ARCHITECT OR ENGINEER OF RECORD.
4. UNITS MUST BE GLAZED PER ASTM E1300-04, SEE SHEET 5 FOR GLASS OPTIONS.
5. APPROVED IMPACT PROTECTIVE SYSTEM IS REQUIRED FOR THIS PRODUCT IN WIND BORNE DEBRIS REGIONS.
6. FRAME JAMB AND HEAD MATERIAL: CO-EXTRUDED PVC FOAM 1 1/2" THICK.
7. FRAME SILL MATERIAL: CO-EXTRUDED PVC FOAM 2" THICK WITH ALUMINUM CLADDING .063" THICK.
8. DOOR PANEL AND SIDELITE MATERIAL: .075" THICK FIBERGLASS SKIN WITH PVC FOAM TOP AND BOTTOM RAILS, AND PVC FOAM VERTICAL STILES WITH PINE REINFORCEMENTS AND POLYURETHANE FOAM CORE.
9. APPROVED CONFIGURATIONS: O, X, OX, XO, XX, OXO, XXO, OXX AND OXXO. SEE SHEET 2.
10. HINGES LOCATED AT 8 3/4", 39 1/2", AND 71 3/8" FROM TOP OF PANEL

**IN-SWING ENTRANCE DOOR**  
**DOUBLE DOOR W/ SIDELITES (SLPS)**  
 EXTERIOR VIEW

DESIGN PRESSURE RATING		IMPACT RATING
+40.0/-60.0	±60PSF	NONE
WHERE WATER REQUIREMENT IS NEEDED	WHERE WATER REQUIREMENT IS NOT NEEDED	

SIGNED: 11/05/2014

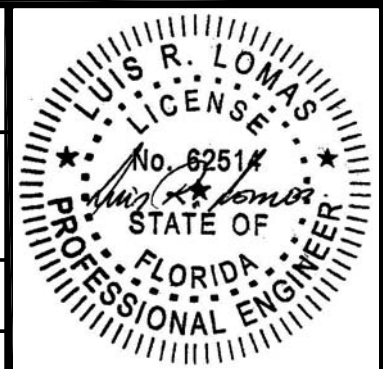
TABLE OF CONTENTS	
SHEET NO.	DESCRIPTION
1	ELEVATION AND NOTES
2	ADDITIONAL CONFIGURATIONS AND HARDWARE
3 - 4	ANCHORING LAYOUTS
5 - 8	INSTALLATION DETAILS

NAN YA PLASTICS CORP. USA  
 8989 NORTH LOOP EAST  
 HOUSTON, TX 77029

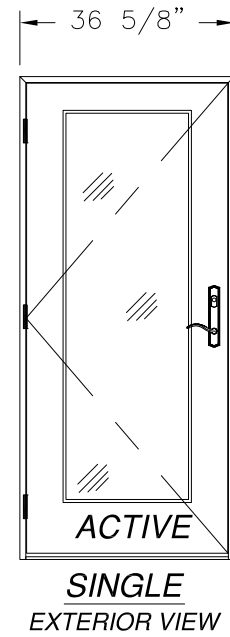
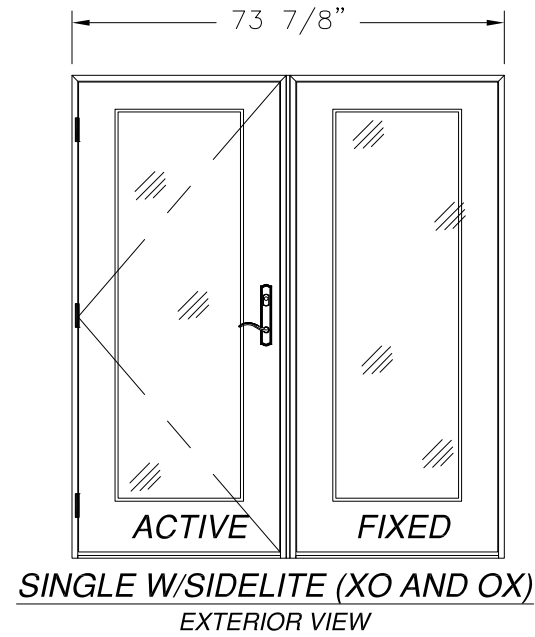
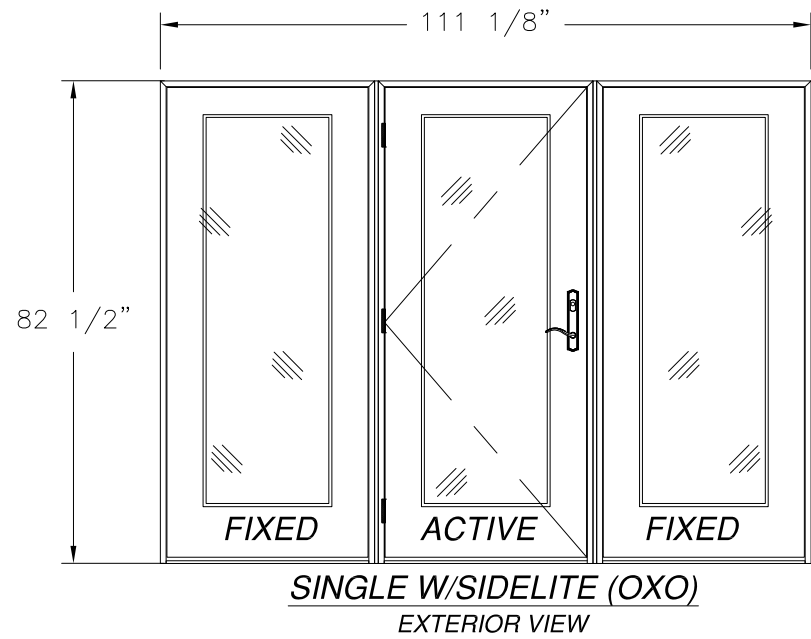
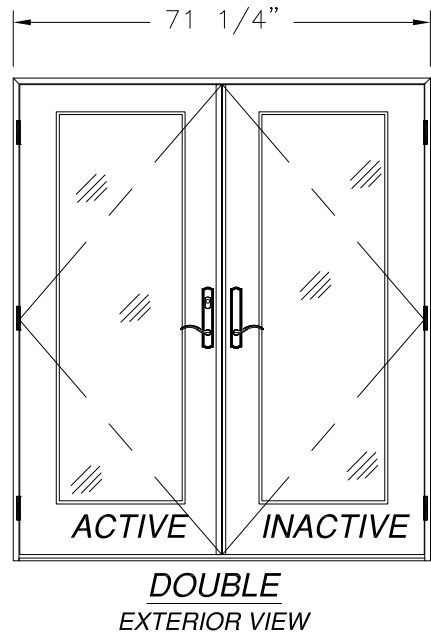
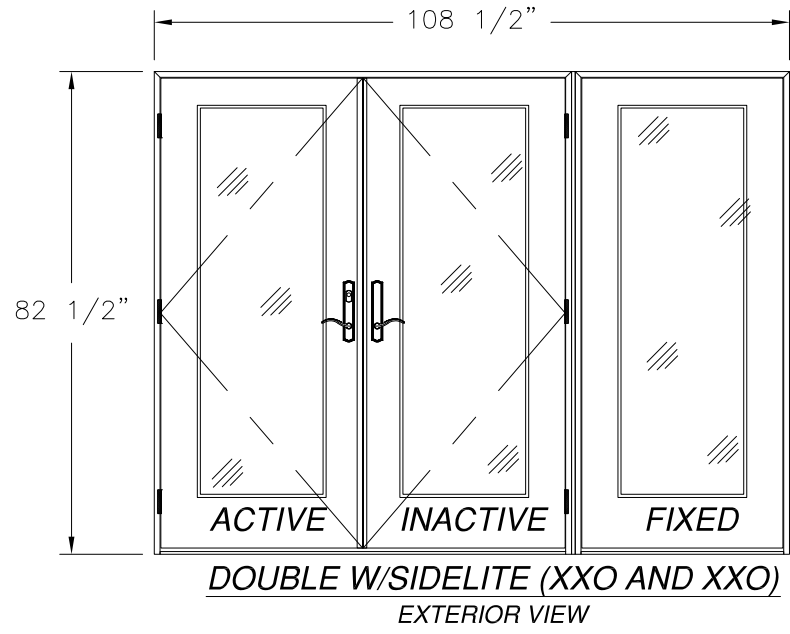
IN-SWING ENTRANCE DOOR W/ SIDELITES (SLPS)  
 FIBERGLASS NON-IMPACT GLAZED  
 OXXO ELEVATION AND NOTES

DRAWN: V.L.      DWG NO. 08-01889      REV A

SCALE NTS      DATE 01/07/13      SHEET 1 OF 8



REVISIONS			
REV	DESCRIPTION	DATE	APPROVED
A	ADDED EDGE DISTANCES	11/05/14	R.L.



NOTE:  
ALL APPROVED CONFIGURATIONS ARE SHOWN AS LEFT HAND ACTIVE, RIGHT HAND ACTIVE IS ALSO APPROVED.

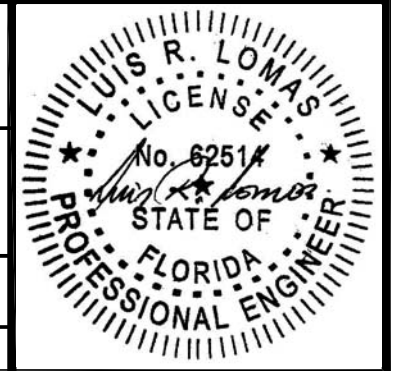
HARDWARE SCHEDULE	
A.	2 POINT LOCK BY NINGBO MICOTA (INACTIVE PANEL)
B.	3 POINT LOCK BY NINGBO MICOTA (ACTIVE PANEL)
C.	(4) 4"x4" BUTT HINGES BY WENZHOU LONGTAI (PER PANEL)
D.	ALUMINUM & PVC FOAM ASTRAGAL BY NAN YA PLASTICS
E.	ALUMINUM & PVC FOAM MULLION BY NAN YA PLASTICS

**NAN YA PLASTICS CORP. USA**  
8989 NORTH LOOP EAST  
HOUSTON, TX 77029

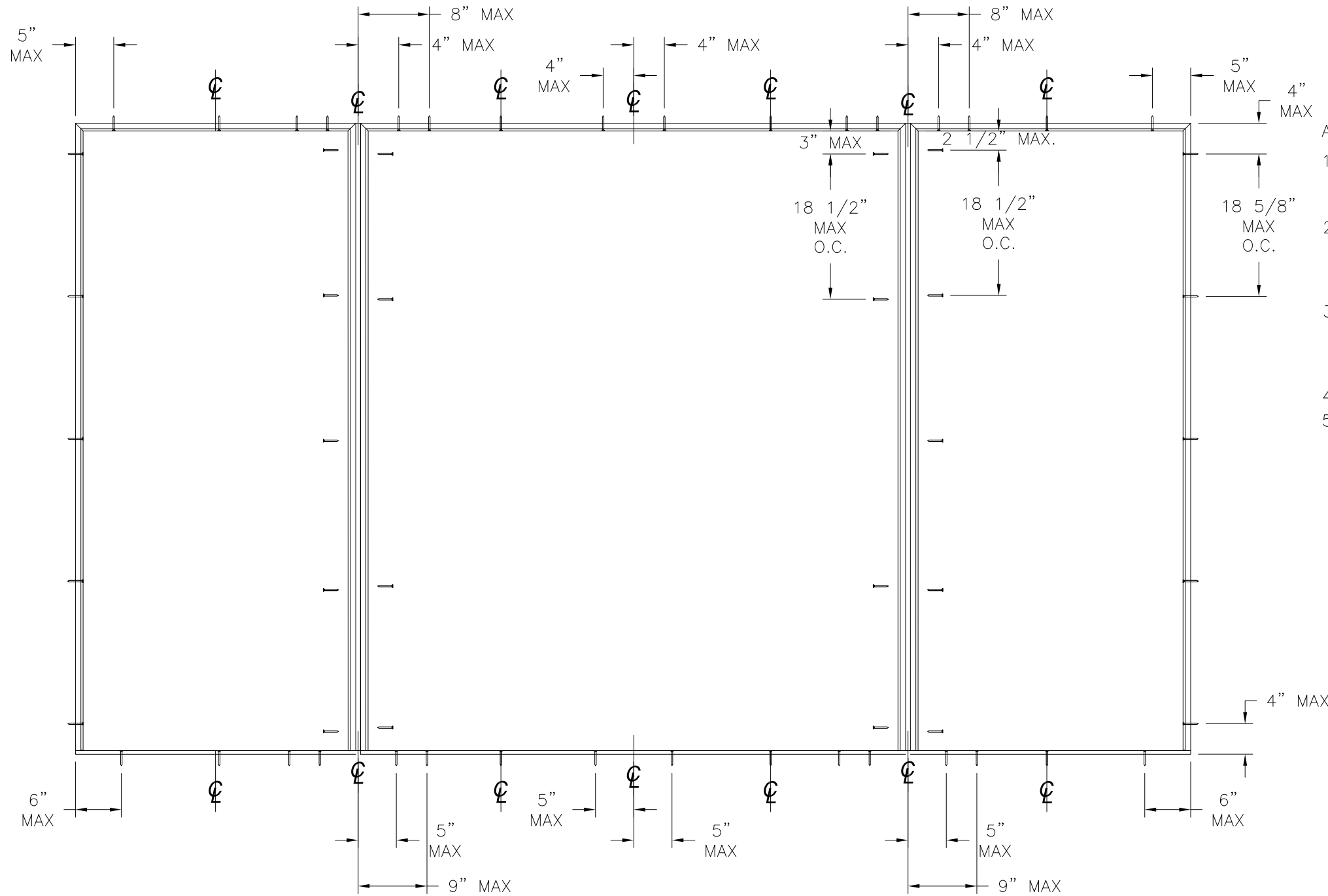
IN-SWING ENTRANCE DOOR W/ SIDELITES (SLPS)  
FIBERGLASS NON-IMPACT GLAZED  
ADDITIONAL CONFIGURATIONS AND HARDWARE

DRAWN: V.L.	DWG NO. 08-01889	REV A
SCALE NTS	DATE 01/07/13	SHEET 2 OF 8

SIGNED: 11/05/2014



REVISIONS			
REV	DESCRIPTION	DATE	APPROVED
A	ADDED EDGE DISTANCES	11/05/14	R.L.



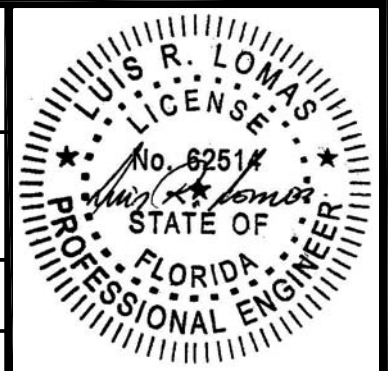
ANCHORING LAYOUT

ANCHORING NOTES:

- 1) SHIM AS REQUIRED AT EACH INSTALLATION ANCHOR WITH LOAD BEARING SHIM. SHIM WHERE SPACE OF 1/16" OR GREATER OCCURS. MAXIMUM ALLOWABLE SHIM STACK TO BE 1/4".
- 2) FOR ANCHORING INTO MASONRY/CONCRETE USE 3/16" TAPCON OF SUFFICIENT LENGTH TO ACHIEVE A 1 1/4" MINIMUM EMBEDMENT INTO SUBSTRATE. LOCATE ANCHORS AS SHOWN IN ANCHORING LAYOUT AND INSTALLATION DETAILS.
- 3) FOR ANCHORING INTO 2X BUCK OR WOOD FRAMING USE #10 WOOD SCREW OF SUFFICIENT LENGTH TO ACHIEVE A 1 3/8" MINIMUM EMBEDMENT INTO SUBSTRATE. LOCATE ANCHORS AS SHOWN IN ANCHORING LAYOUT AND INSTALLATION DETAILS.
- 4) ALL FASTENERS TO BE CORROSION RESISTANT.
- 5) INSTALLATION ANCHORS SHALL BE INSTALLED IN ACCORDANCE WITH ANCHOR MANUFACTURER'S INSTALLATION INSTRUCTIONS, AND ANCHORS SHALL NOT BE USED IN SUBSTRATES WITH STRENGTHS LESS THAN THE MINIMUM STRENGTH SPECIFIED BELOW:
  - A. WOOD – MINIMUM SPECIFIC GRAVITY OF G=0.42
  - B. CONCRETE – MINIMUM COMPRESSIVE STRENGTH OF 3,200 PSI.
  - C. MASONRY – STRENGTH CONFORMANCE TO ASTM C-90, GRADE N, TYPE 1 (OR GREATER).

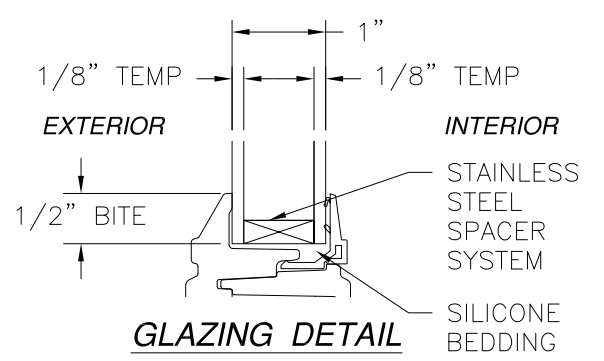
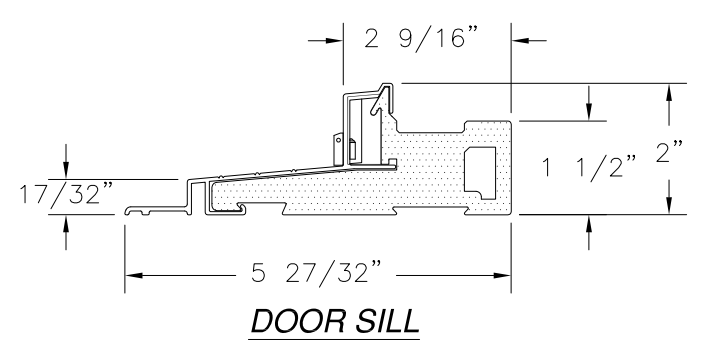
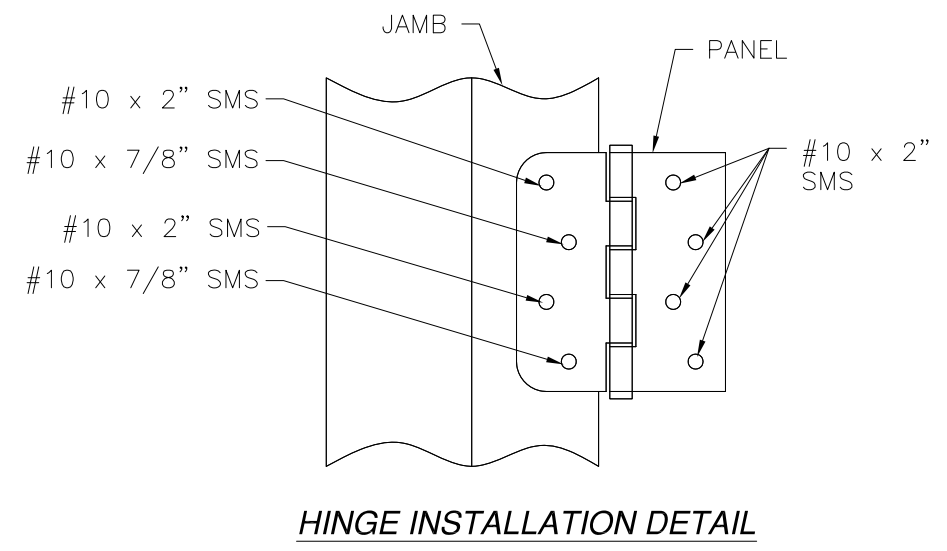
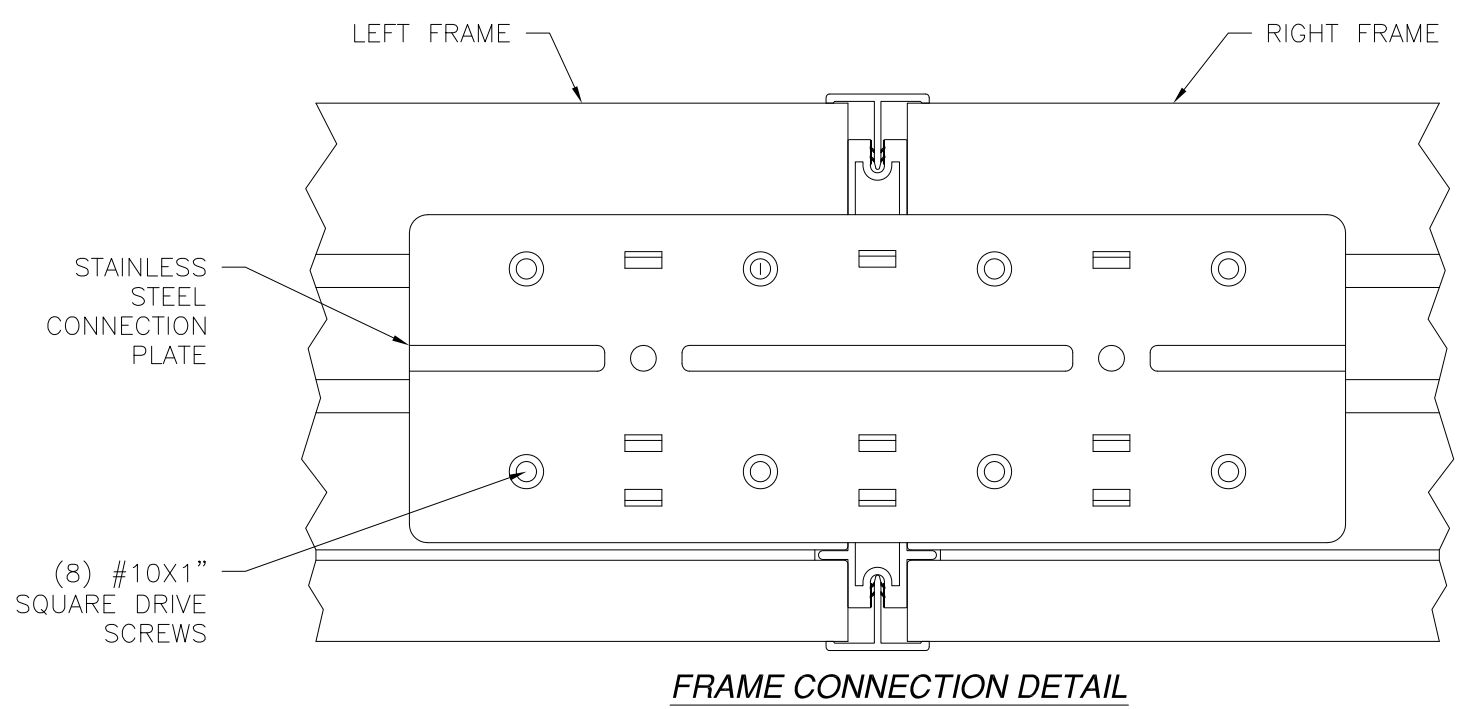
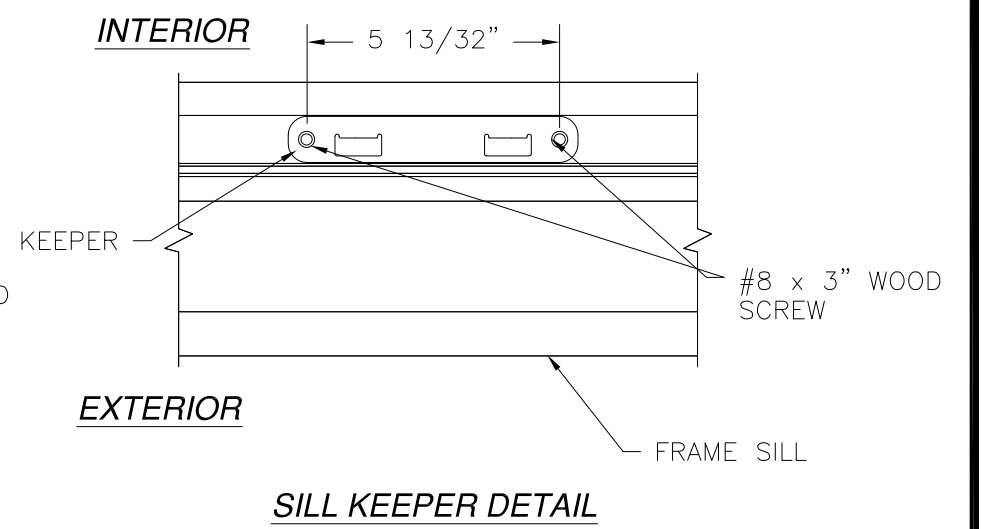
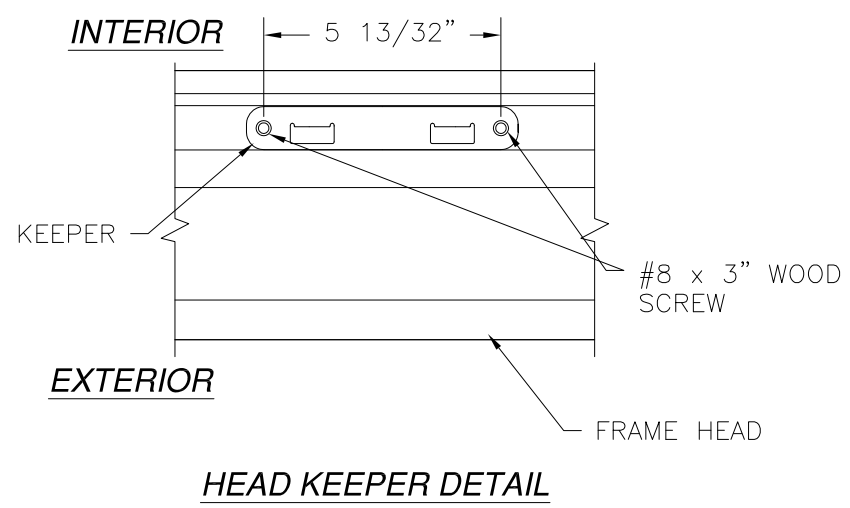
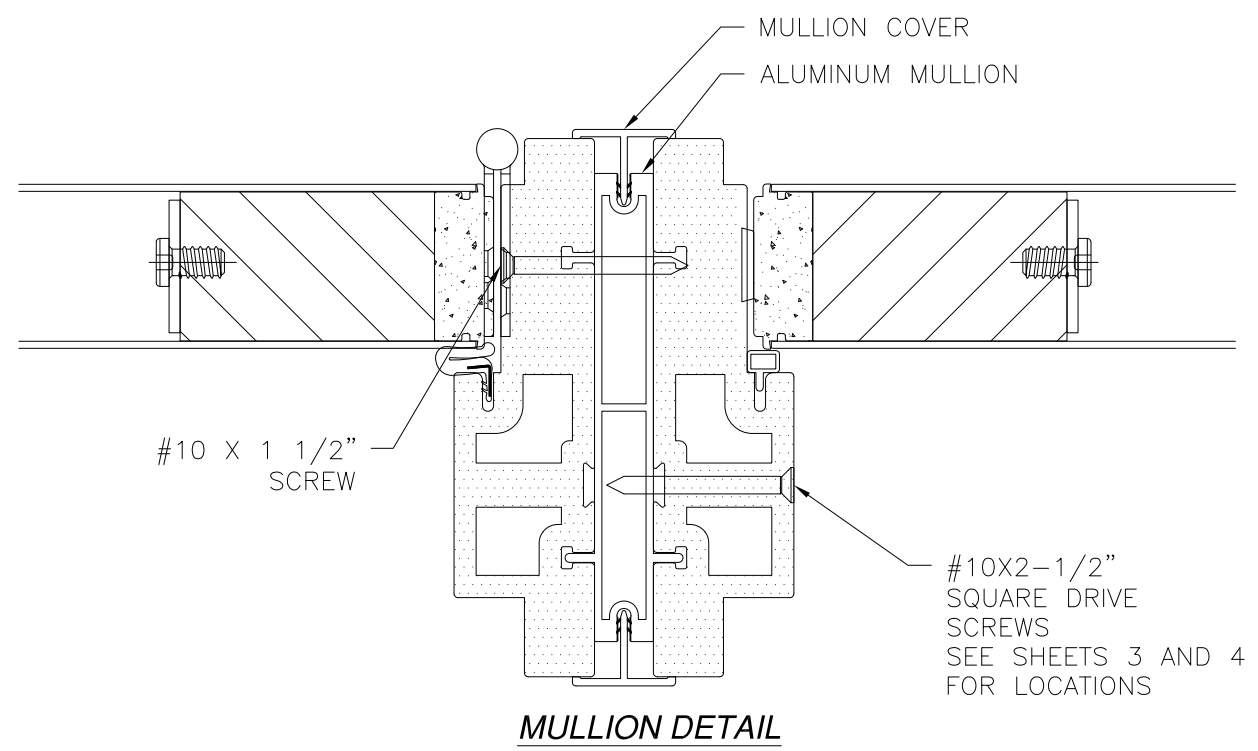
SIGNED: 11/05/2014

<b>NAN YA PLASTICS CORP. USA</b> 8989 NORTH LOOP EAST HOUSTON, TX 77029		
IN-SWING ENTRANCE DOOR W/ SIDELITES (SLPS) FIBERGLASS NON-IMPACT GLAZED ANCHORING LAYOUTS		
DRAWN: V.L.	DWG NO. 08-01889	REV A
SCALE NTS	DATE 01/07/13	SHEET 3 OF 8





REVISIONS			
REV	DESCRIPTION	DATE	APPROVED
A	ADDED EDGE DISTANCES	11/05/14	R.L.



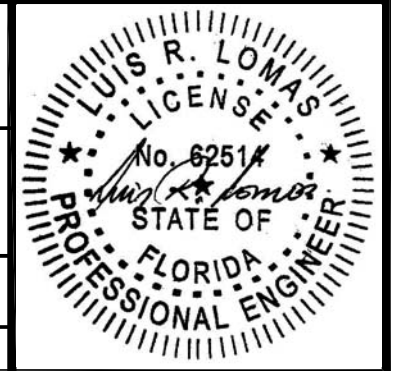
SIGNED: 11/05/2014

**NAN YA PLASTICS CORP. USA**  
8989 NORTH LOOP EAST  
HOUSTON, TX 77029

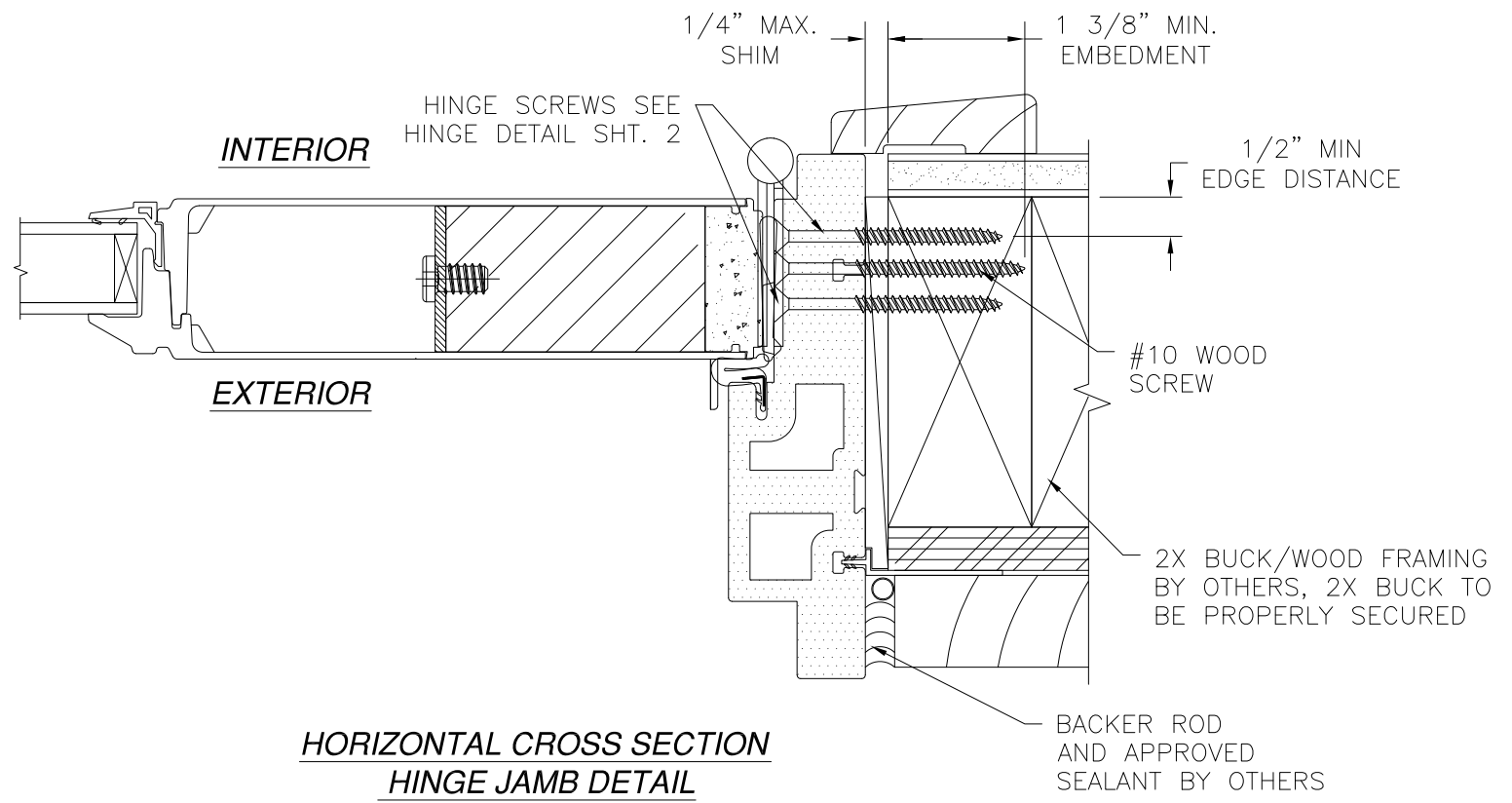
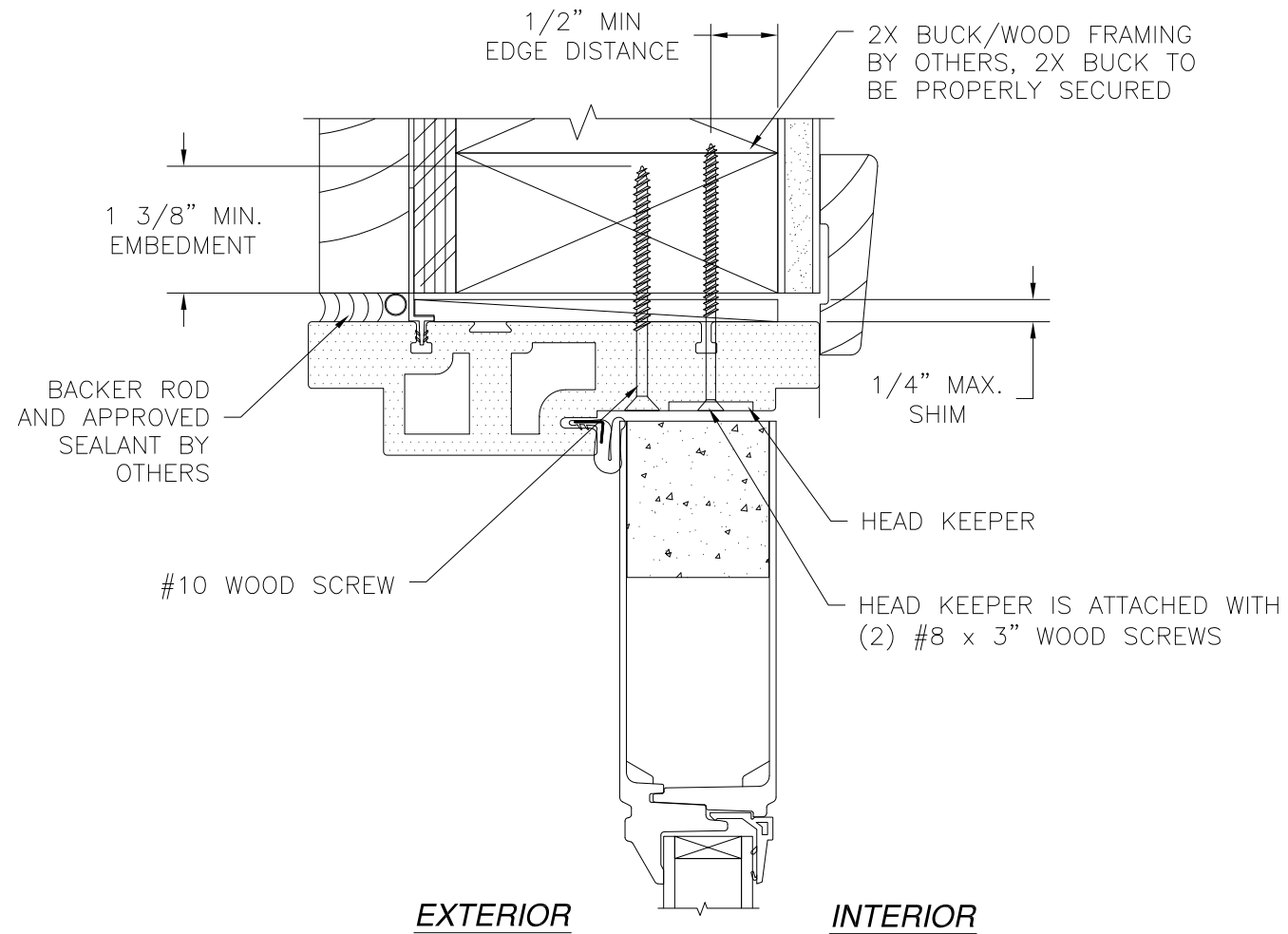
IN-SWING ENTRANCE DOOR W/ SIDELITES (SLPS)  
FIBERGLASS NON-IMPACT GLAZED  
INSTALLATION DETAILS

DRAWN: V.L.      DWG NO. 08-01889      REV A

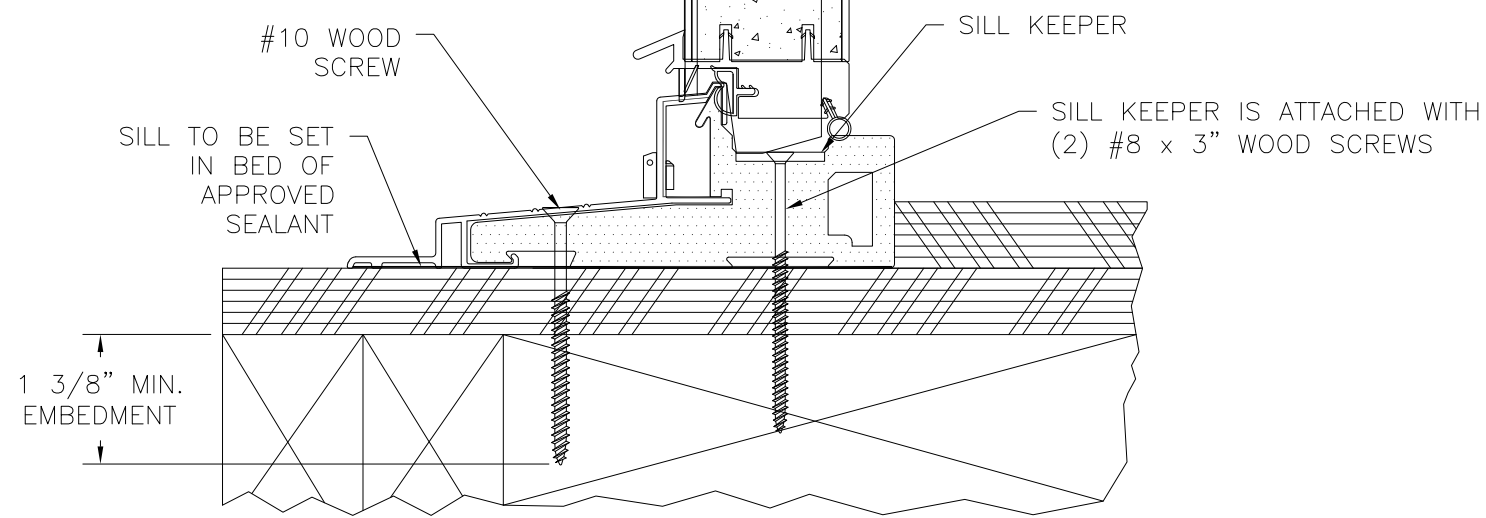
SCALE NTS      DATE 01/07/13      SHEET 5 OF 8



REVISIONS			
REV	DESCRIPTION	DATE	APPROVED
A	ADDED EDGE DISTANCES	11/05/14	R.L.



**HORIZONTAL CROSS SECTION  
HINGE JAMB DETAIL  
2X BUCK/WOOD FRAMING INSTALLATION**



**VERTICAL CROSS SECTION  
DOOR SHOWN, SIDELITE SIMILAR  
2X BUCKWOOD FRAMING INSTALLATION**

SIGNED: 11/05/2014

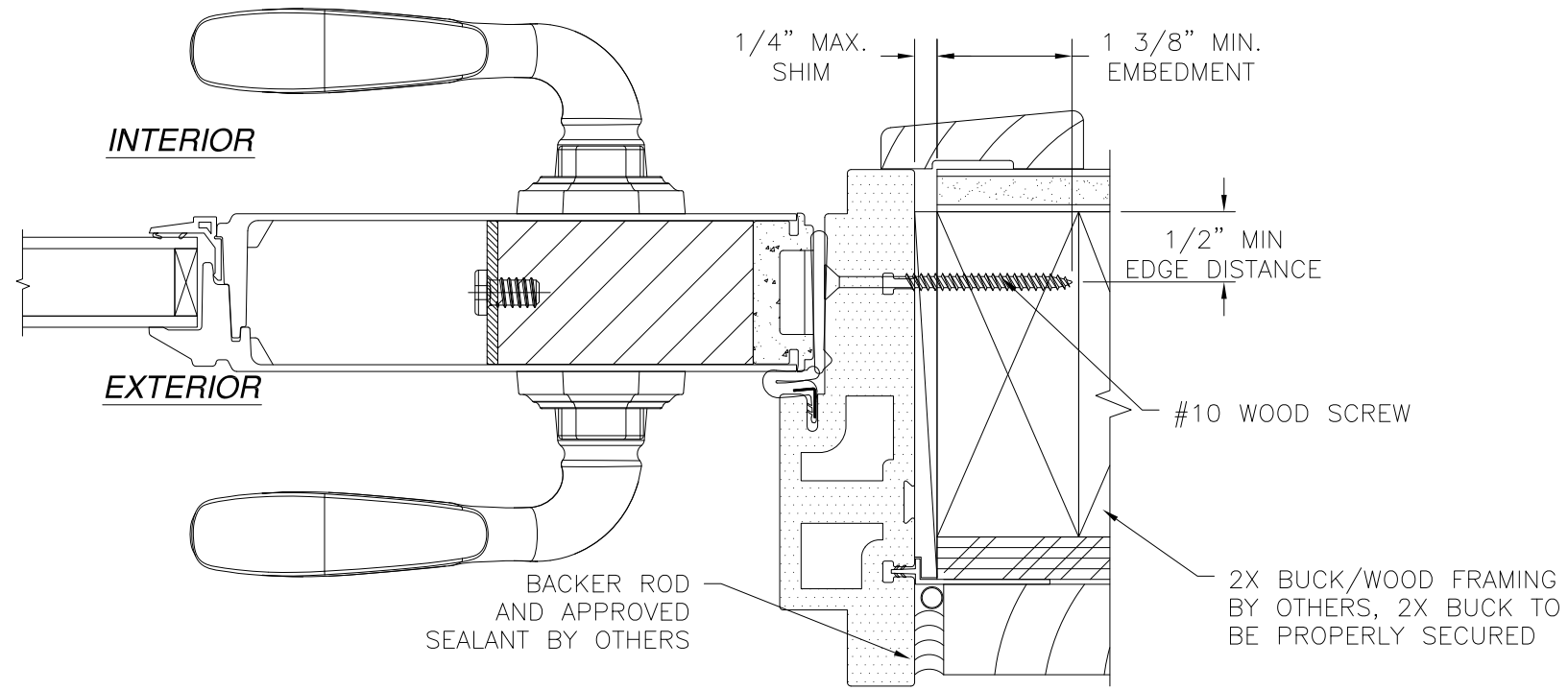
**NAN YA PLASTICS CORP. USA**  
 8989 NORTH LOOP EAST  
 HOUSTON, TX 77029

IN-SWING ENTRANCE DOOR W/ SIDELITES (SLPS)  
 FIBERGLASS NON-IMPACT GLAZED  
 INSTALLATION DETAILS

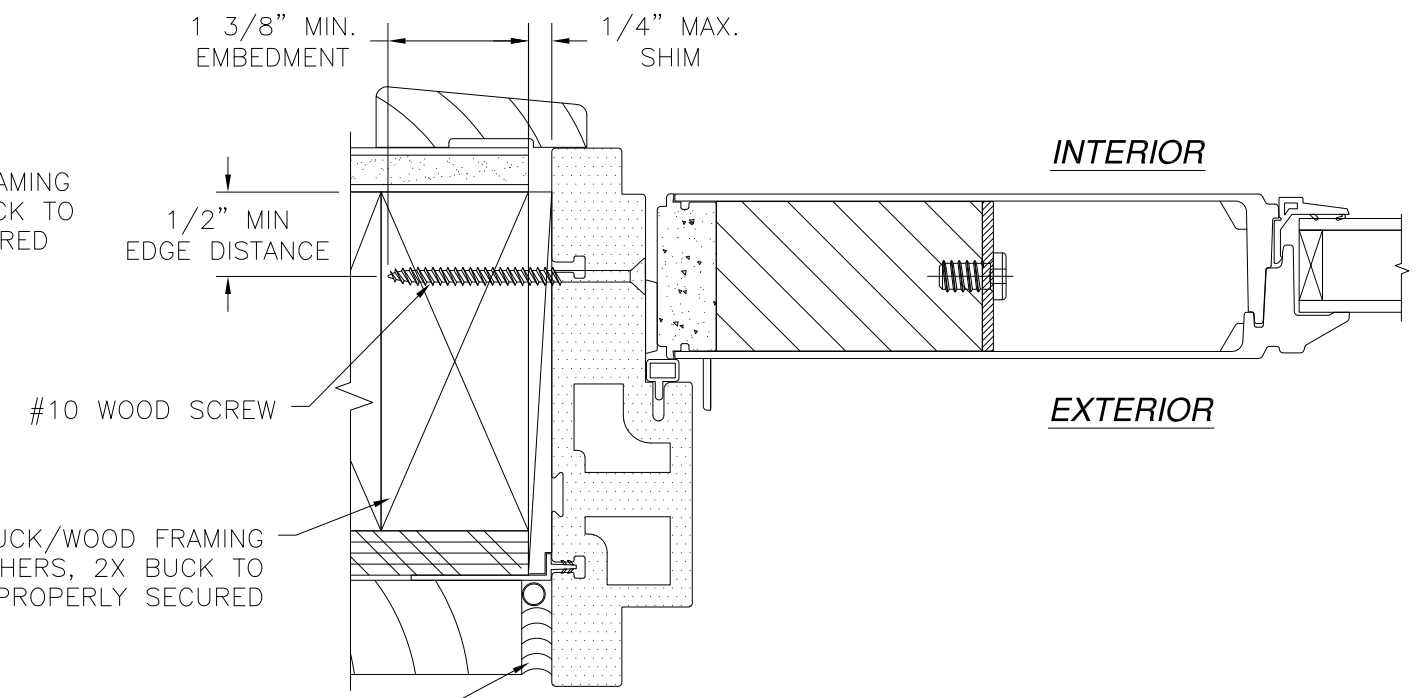
DRAWN: V.L.	DWG NO. 08-01889	REV A
SCALE NTS	DATE 01/07/13	SHEET 6 OF 8



REVISIONS			
REV	DESCRIPTION	DATE	APPROVED
A	ADDED EDGE DISTANCES	11/05/14	R.L.



**HORIZONTAL CROSS SECTION  
STRIKE JAMB DETAIL**  
2X BUCK/WOOD FRAMING INSTALLATION



**HORIZONTAL CROSS SECTION  
SIDELITE JAMB DETAIL**  
2X BUCK/WOOD FRAMING INSTALLATION

SIGNED: 11/05/2014

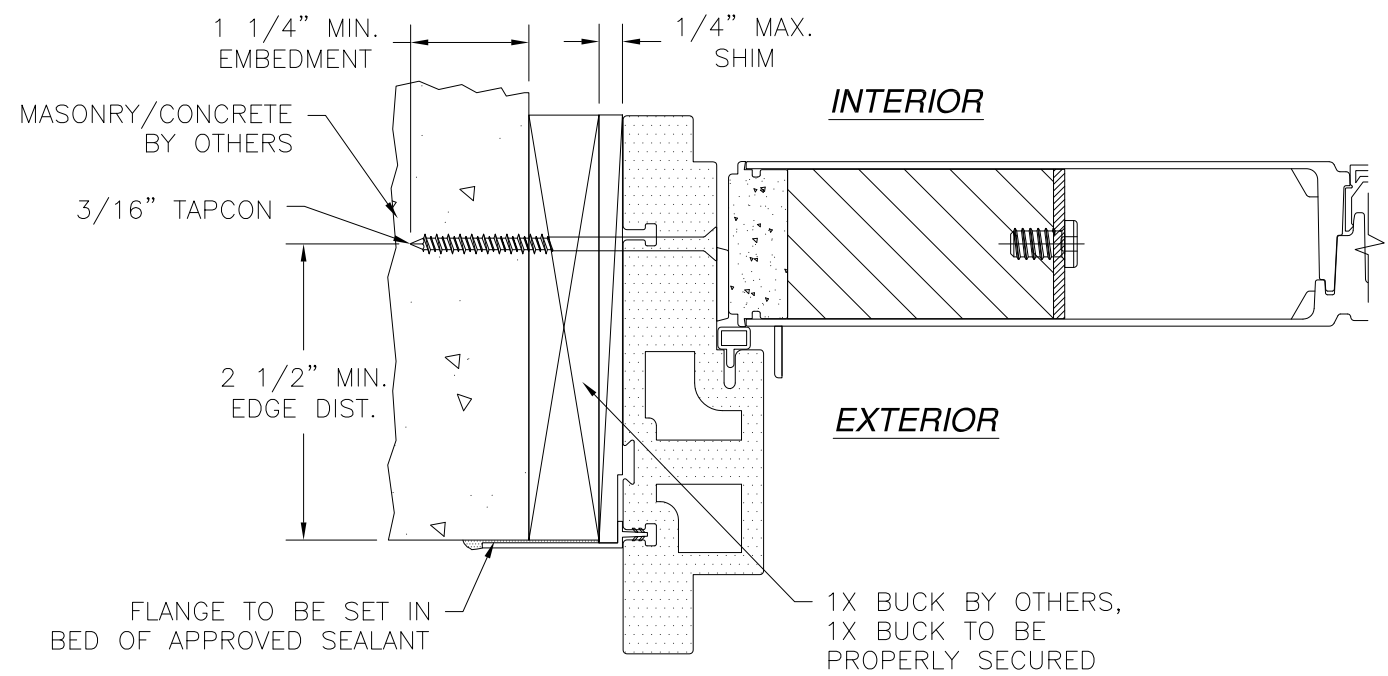
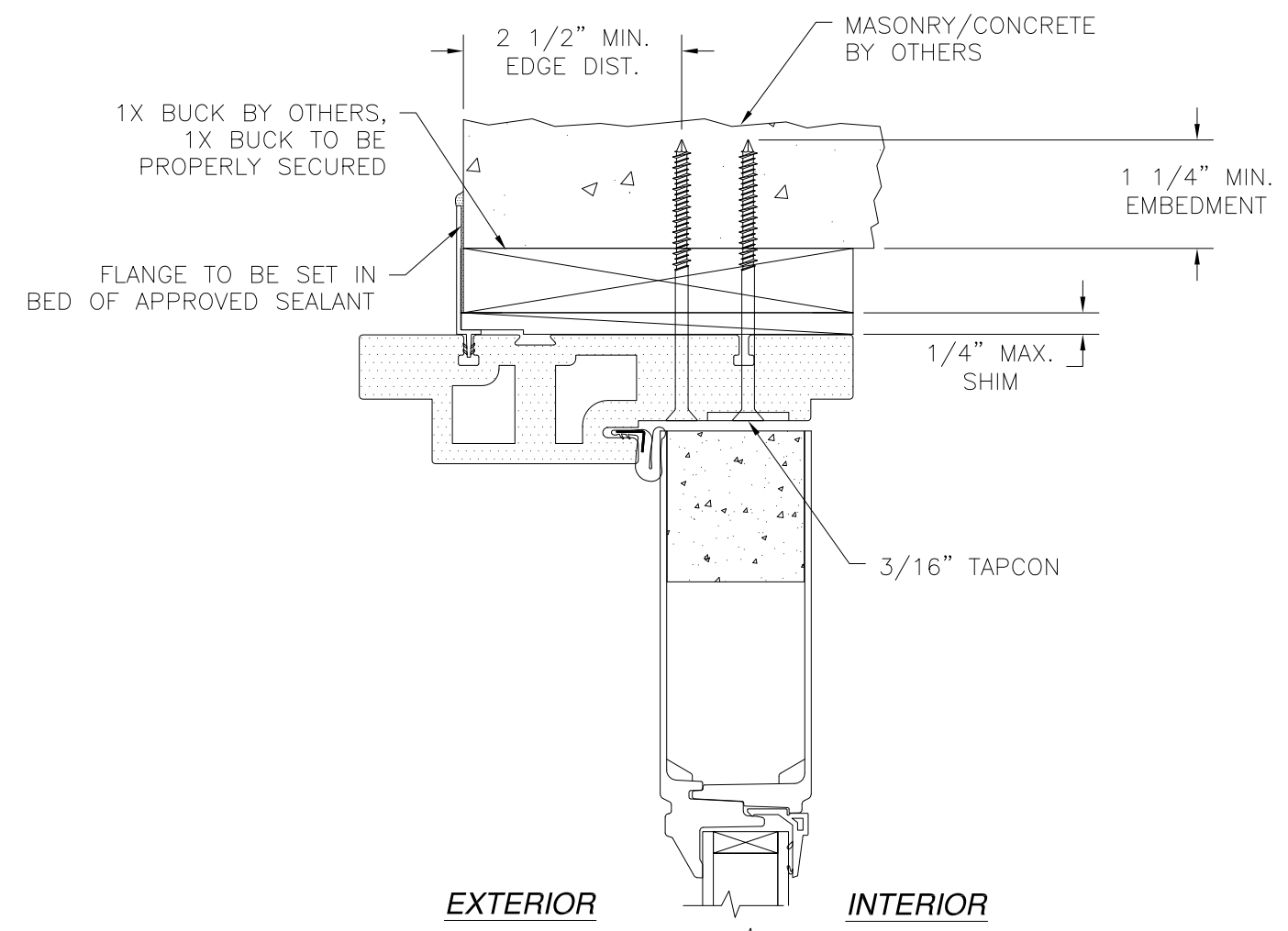
NAN YA PLASTICS CORP. USA  
8989 NORTH LOOP EAST  
HOUSTON, TX 77029

IN-SWING ENTRANCE DOOR W/ SIDELITES (SLPS)  
FIBERGLASS NON-IMPACT GLAZED  
INSTALLATION DETAILS

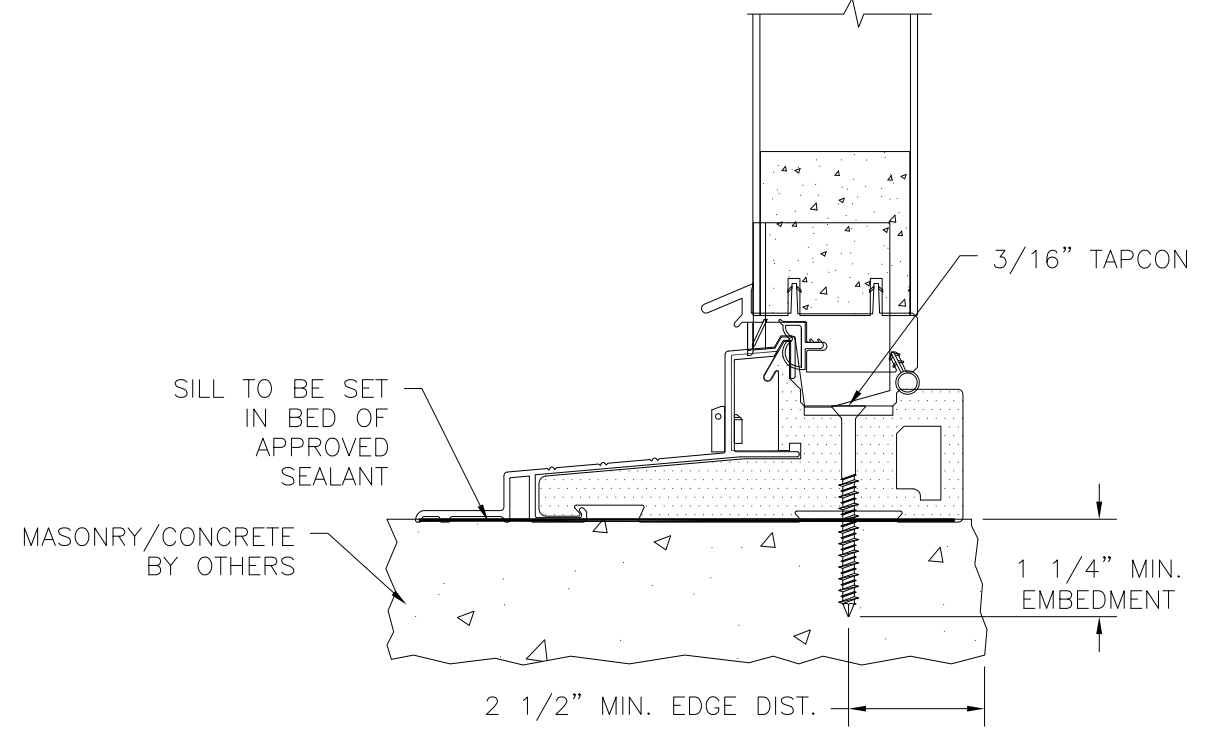
DRAWN: V.L.	DWG NO. 08-01889	REV A
SCALE NTS	DATE 01/07/13	SHEET 7 OF 8



REVISIONS			
REV	DESCRIPTION	DATE	APPROVED
A	ADDED EDGE DISTANCES	11/05/14	R.L.



**MASONRY/CONCRETE INSTALLATION**  
DOOR JAMB SHOWN, SIDELITE JAMB SIMILAR



**MASONRY/CONCRETE INSTALLATION**  
DOOR SHOWN SIDELITE SIMILAR

SIGNED: 11/05/2014

<b>NAN YA PLASTICS CORP. USA</b> 8989 NORTH LOOP EAST HOUSTON, TX 77029		
IN-SWING ENTRANCE DOOR W/ SIDELITES (SLPS) FIBERGLASS NON-IMPACT GLAZED INSTALLATION DETAILS		
DRAWN: V.L.	DWG NO. 08-01889	REV A
SCALE NTS	DATE 01/07/13	SHEET 8 OF 8

