



DEPARTMENT OF REGULATORY AND ECONOMIC RESOURCES (RER)
BOARD AND CODE ADMINISTRATION DIVISION
NOTICE OF ACCEPTANCE (NOA)

MIAMI-DADE COUNTY
PRODUCT CONTROL SECTION
11805 SW 26 Street, Room 208
Miami, Florida 33175-2474
T (786) 315-2590 F (786) 315-2599
www.miamidade.gov/economy

Cornell Iron Works, Inc.
24 Elmwood Avenue
Mountaintop, PA 18707

SCOPE:

This NOA is being issued under the applicable rules and regulations governing the use of construction materials. The documentation submitted has been reviewed and accepted by Miami-Dade County RER-Product Control Section to be used in Miami Dade County and other areas where allowed by the Authority Having Jurisdiction (AHJ).

This NOA shall not be valid after the expiration date stated below. The Miami-Dade County Product Control Section (In Miami Dade County) and/or the AHJ (in areas other than Miami Dade County) reserve the right to have this product or material tested for quality assurance purposes. If this product or material fails to perform in the accepted manner, the manufacturer will incur the expense of such testing and the AHJ may immediately revoke, modify, or suspend the use of such product or material within their jurisdiction. RER reserves the right to revoke this acceptance, if it is determined by Miami-Dade County Product Control Section that this product or material fails to meet the requirements of the applicable building code.

This product is approved as described herein, and has been designed to comply with the Florida Building Code, including the High Velocity Hurricane Zone.

DESCRIPTION: Steel Roll-up Door up to 14'-5" Wide

APPROVAL DOCUMENT: Drawing No. ES16-37, titled "Dade County Approved 14'-5" 60 psf Uninsulated Rolling Steel Door", sheets 1 and 2 of 2, dated 05/22/2008, with revision E dated 04/01/2013, prepared by Cornell Iron Works, Inc, signed and sealed by Joseph H. Dixon, Jr., P.E., bearing the Miami-Dade County Product Control renewal stamp with the Notice of Acceptance number and expiration date by the Miami-Dade County Product Control Section.

MISSILE IMPACT RATING: Large and Small Missile Impact Resistant

LABELING: A permanent label with the manufacturer's name or logo, manufacturing address, model number, the positive and negative design pressure rating, indicate impact rated if applicable, installation instruction drawing reference number, approval number (NOA), the applicable test standards, and the statement reading 'Miami-Dade County Product Control Approved' is to be located on the door's side track, bottom angle, or inner surface of a panel.

RENEWAL of this NOA shall be considered after a renewal application has been filed and there has been no change in the applicable building code negatively affecting the performance of this product.

TERMINATION of this NOA will occur after the expiration date or if there has been a revision or change in the materials, use, and/or manufacture of the product or process. Misuse of this NOA as an endorsement of any product, for sales, advertising or any other purposes shall automatically terminate this NOA. Failure to comply with any section of this NOA shall be cause for termination and removal of NOA.

ADVERTISEMENT: The NOA number preceded by the words Miami-Dade County, Florida, and followed by the expiration date may be displayed in advertising literature. If any portion of the NOA is displayed, then it shall be done in its entirety.

INSPECTION: A copy of this entire NOA shall be provided to the user by the manufacturer or its distributors and shall be available for inspection at the job site at the request of the Building Official.

This NOA renews NOA # 12-0206.12 and consists of this page 1 and evidence page E-1, as well as approval document mentioned above.

The submitted documentation was reviewed by Carlos M. Utrera, P.E.



Utrera
106/27/2013

NOA No. 13-0430.11
Expiration Date: September 18, 2018
Approval Date: July 4, 2013
Page 1

NOTICE OF ACCEPTANCE: EVIDENCE SUBMITTED

A. DRAWINGS

1. Drawing No. ES16-37, titled "Dade County Approved 14'-5" 60 psf Uninsulated Rolling Steel Door", sheets 1 and 2 of 2, dated 05/22/2008, with revision E dated 04/01/2013, prepared by Cornell Iron Works, Inc, signed and sealed by Joseph Dixon Jr., P.E.

B. TESTS

1. Test reports on Forced Entry Resistance Test per FBC, TAS 202-94 of a Model C20P Rolling Steel Slat Door, prepared by Architectural Testing, Inc., Test Report No. B8848.01-109-18, dated 08/09/2012, with revision 3 dated 04/05/2013, signed and sealed by Michael D. Stremmel, P.E.

"Submitted under NOA # 10-1209.02"

2. Test reports on 1000 hours of Salt Spray per ASTM B117 of G-90 and G-40 painted samples, prepared by Intertek, Test Report No. G100075502, dated 05/26/2010, signed and sealed by Rick Curkeet, P.E.

"Submitted under NOA # 08-0529.04"

3. Test reports on 1) Uniform Static Air Pressure Test, Loading per FBC, TAS 202-94
2) Large Missile Impact Test per FBC, TAS 201-94
3) Cyclic Wind Pressure Loading per FBC, TAS 203-94
4) Tensile Test per ASTM E 8-01,
along with marked-up drawings by Architectural Testing, Inc., Test Report No. 79233.01-109-18, dated 03/13/2008, signed and sealed by Michael D. Stremmel, P.E.

C. CALCULATIONS *"Submitted under NOA # 10-1209.02"*

1. Between-jamb guide anchoring calculations and structural analysis, dated 12/03/2010, prepared, signed and sealed by Joseph H. Dixon, Jr., P.E.

"Submitted under NOA # 08-0529.04"

2. Anchor verification calculations and structural analysis, dated 05/23/2008, and 07/10/2008 prepared, signed and sealed by Joseph H. Dixon, Jr., P.E.

D. QUALITY ASSURANCE

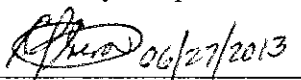
1. Miami-Dade Department of Regulatory and Economic Resources (RER)

E. MATERIAL CERTIFICATIONS

1. None.

F. STATEMENTS

1. Statement letter of code conformance to 2010 FBC, dated 04/25/2013, signed and sealed by Joseph H. Dixon, Jr., P.E.
2. Statement letter of no financial interest, dated 04/25/2013, signed and sealed by Joseph H. Dixon, Jr., P.E.

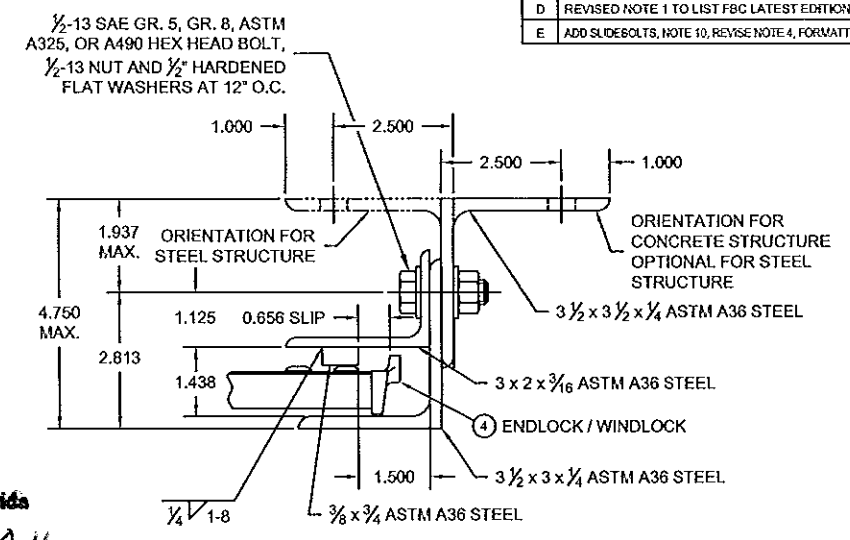
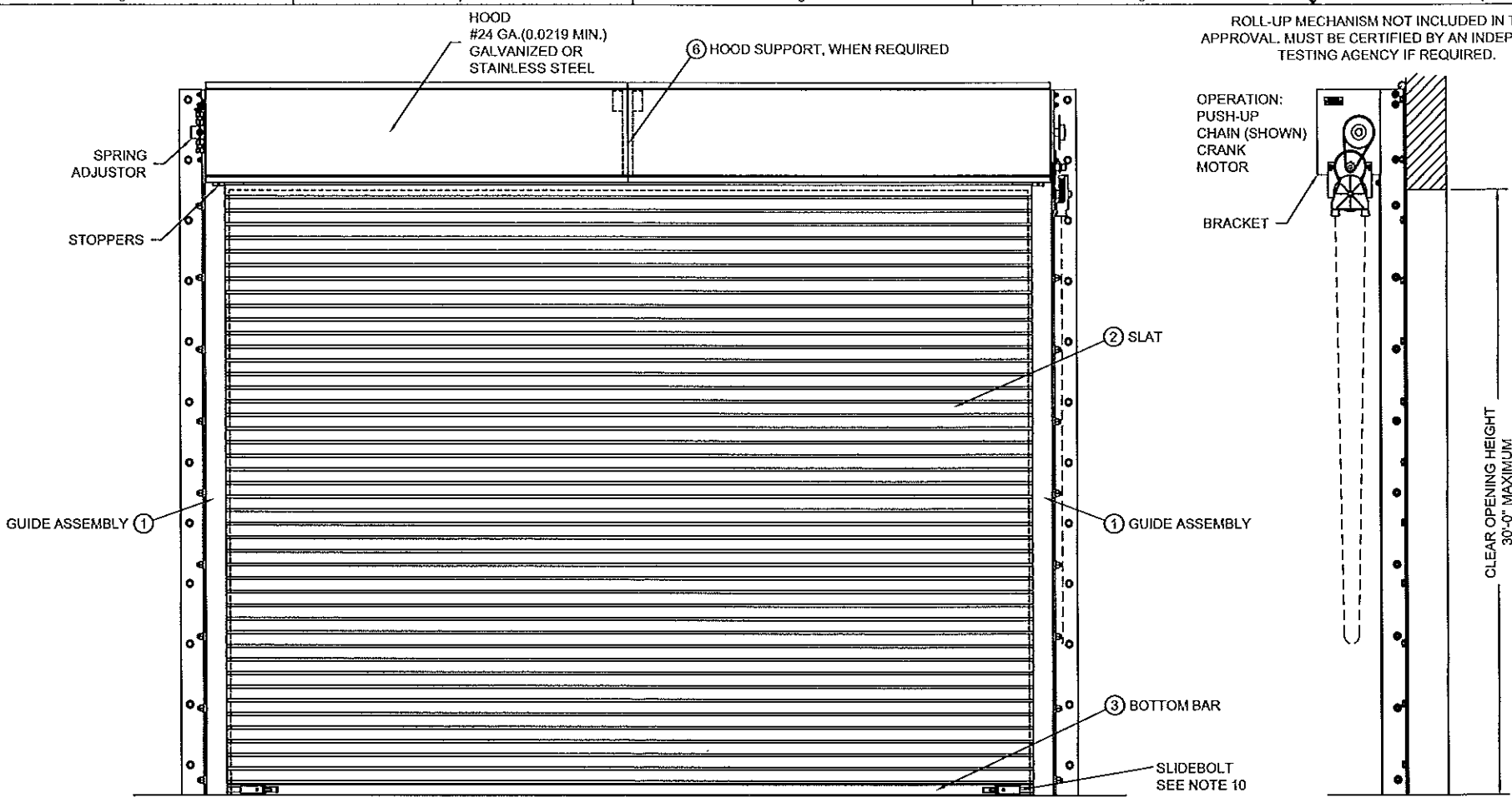
 06/27/2013

Carlos M. Utrera, P.E.
Product Control Examiner
NOA No. 13-0430.11

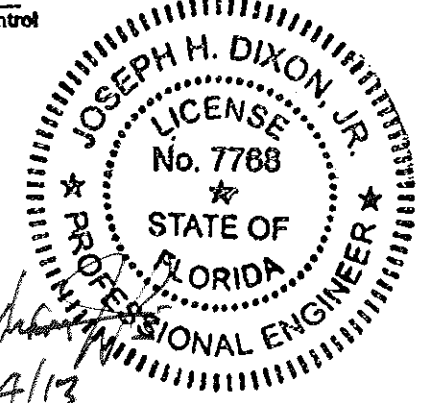
Expiration Date: September 18, 2018

Approval Date: July 4, 2013

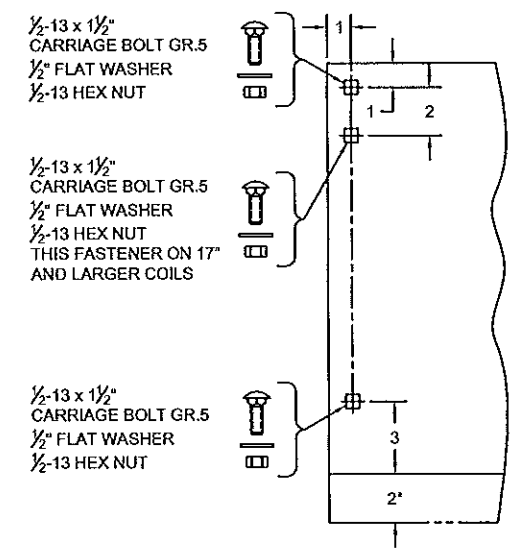
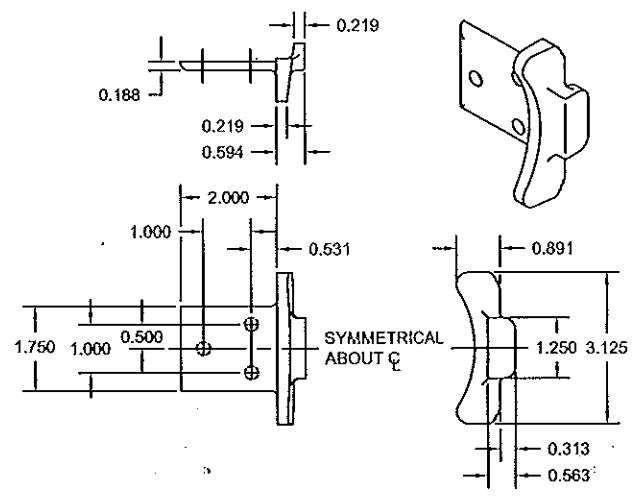
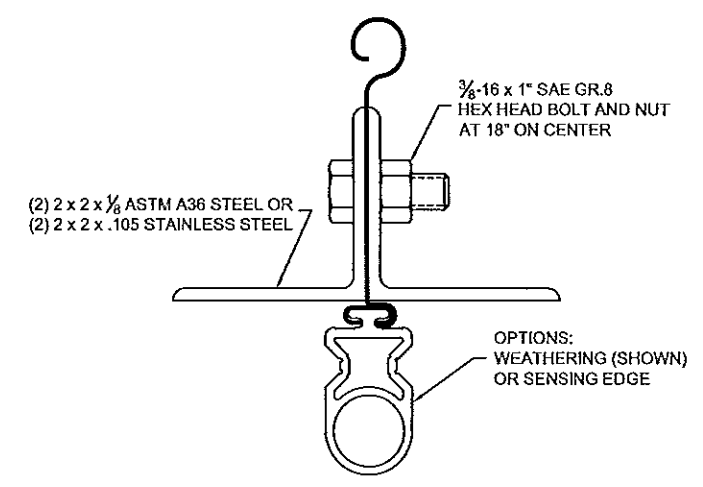
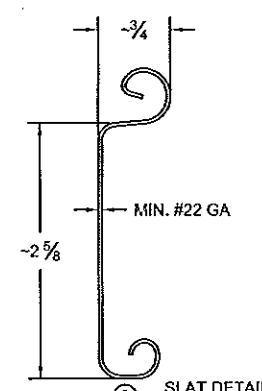
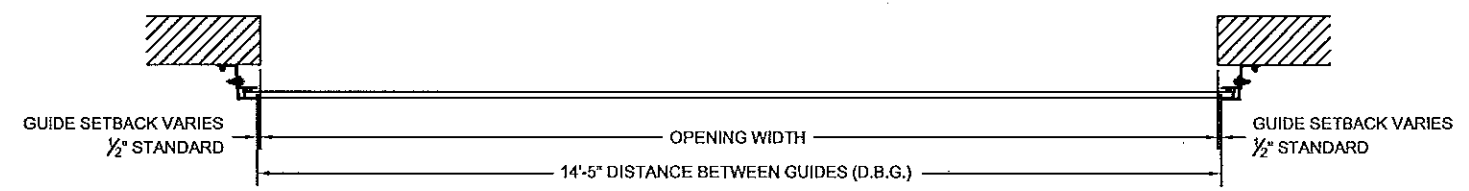
LTR	REVISION	DATE	BY	E.C.O.
*	ORIGINAL ISSUE	05/22/2008	R.M.	*
A	REVISED NOTES SECTION	07/10/2008	R.M.	*
B	ADDED NOTE 10 PER DADE CO. FAX ON 08/15/08	08/18/2008	R.M.	*
C	REVISED CURTAIN TO G40 GALVANIZED	11/23/2010	R.M.	*
D	REVISED NOTE 1 TO LIST FBC LATEST EDITION	01/24/2012	R.M.	*
E	ADD SLIDEBOLTS, NOTE 10, REVISE NOTE 4, FORMAT	04/01/2013	TJE	*



PRODUCT RENEWED
 as complying with the Florida Building Code
 Acceptance No. 13-0430.11
 Expiration Date 07/18/2018
 By *[Signature]*
 Miami Dade Product Control



- NOTES:
- THIS ROLL-UP DOOR SYSTEM IS DESIGNED IN ACCORDANCE WITH THE FLORIDA BUILDING CODE, LATEST EDITION, AS A LARGE MISSILE IMPACT RESISTANT SYSTEM.
 - POSITIVE AND NEGATIVE DESIGN PRESSURE CALCULATIONS SHALL BE PERFORMED FOR SPECIFIC JOBS IN ACCORDANCE WITH ASCE 7 MINIMUM DESIGN LOADS FOR BUILDINGS AND OTHER STRUCTURES. WIND LOADS DETERMINED FOR OPENINGS SHALL BE LESS THAN OR EQUAL TO DOOR DESIGN PRESSURES NOTED BELOW.
 - THE DETAILS AND SPECIFICATIONS SHOWN HEREIN REPRESENT THE PRODUCTS TESTED FOR UNIFORM STATIC AIR PRESSURE IN CONFORMANCE WITH DADE COUNTY PROTOCOLS TAS 201, 202, AND 203.
 POSITIVE DESIGN LOAD = 60 PSF
 NEGATIVE DESIGN LOAD = 60 PSF
 - TESTING PERFORMED BY ARCHITECTURAL TESTING, INC (YORK, PA.) TEST REPORT No. 79233.01-109-18 AND ARCHITECTURAL TESTING, INC. (YORK, PA) TEST REPORT No. B8848.01-109-18.
 - SUPERIMPOSED LOADS ON THE JAMBS FROM THIS DOOR ARE DESIGNATED AS F1, F2, AND F3 HEREIN. CONTRACTORS SHALL HAVE FLORIDA REGISTERED PROFESSIONAL ENGINEER VERIFY ADEQUACY OF BUILDING STRUCTURE TO RESIST SUPERIMPOSED LOADS F1, F2, AND F3.
 - ALL WELDING SHALL BE PERFORMED BY QUALIFIED WELDERS IN ACCORDANCE WITH AWS SPECIFICATIONS, LATEST EDITION. ALL WELDING ELECTRODES SHALL CONFORM TO AWS A5.1, GRADE E-70. MINIMUM WELDING PROCESS SHALL BE ARC WELDING AWS E7014 OR MIG WELDING AWS ER70S-6.
 - ANCHOR NOTES:
 A. EMBEDMENT DEPTH DOES NOT INCLUDE STUCCO FINISH.
 B. ANCHORS SHALL BE INSTALLED IN ACCORDANCE WITH MANUFACTURERS SPECIFICATIONS.
 - DOOR MAY BE INSTALLED ON THE INSIDE OR OUTSIDE OF AN EXTERIOR WALL.
 - A 33% INCREASE IN ALLOWABLE STRESS HAS NOT BEEN USED IN THE DESIGN OF THIS PRODUCT.
 - SLIDE BOLTS ARE NOT REQUIRED FOR WINDLOAD RESISTANCE. SLIDE BOLTS ARE ONLY REQUIRED ON PUSH UP OPERATED UNITS FOR FORCED ENTRY RESISTANCE. LOCKING IS TO BE PROVIDED BY OTHERS OR AS CYLINDER LOCKS BY CORNELL IRON WORKS.



CORNELL 100 ELMWOOD AVENUE
 CRESTWOOD INDUSTRIAL PARK
 MOUNTAINTOP, PA 18707

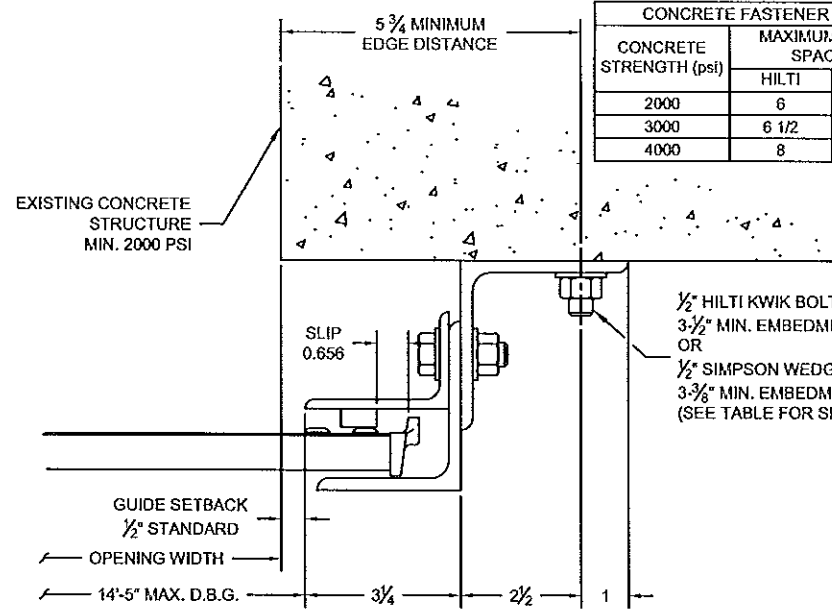
TITLE: DADE COUNTY APPROVED 14'-5" 60 PSF UNINSULATED ROLLING STEEL DOOR

SIZE: D R. MAGGIO
 DRAWN: ES16-37-01
 SCALE: AS NOTED

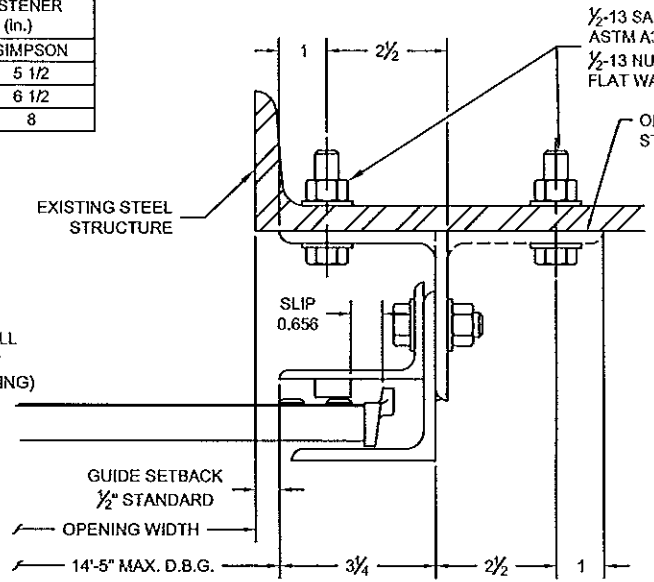
REV: E

SHEET 1 OF 2

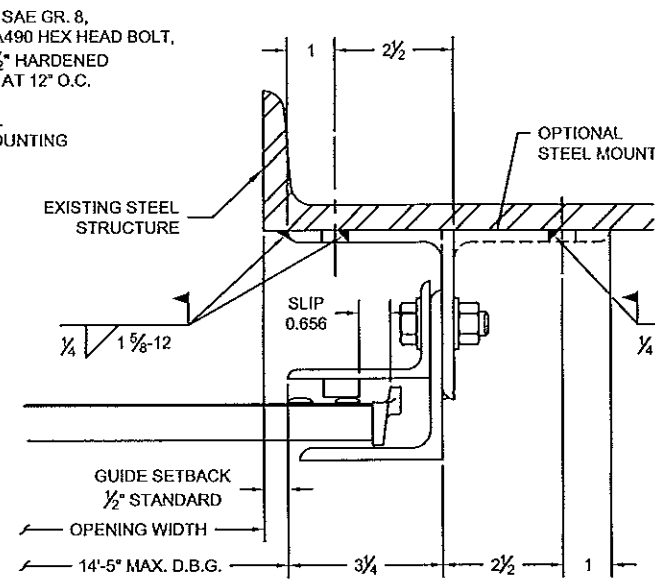
LTR	REVISION	DATE	BY	E.C.O.
*	ORIGINAL ISSUE	05/22/2003	R.M.	*
A	REVISED HILTI ANCHOR SPACING	07/10/2003	R.M.	*
B	ADDED OPTIONAL BETWEEN JAMBS GUIDE MOUNTING TO STEEL	11/23/2010	R.M.	*
C	REVISED NOTE 1 ON SHEET 1	01/24/2012	R.M.	*
E	ADD SLIDEBOLTS, NOTE 12, REVISE NOTE 4, FORMATTING	04/02/2012	T.J.E.	*



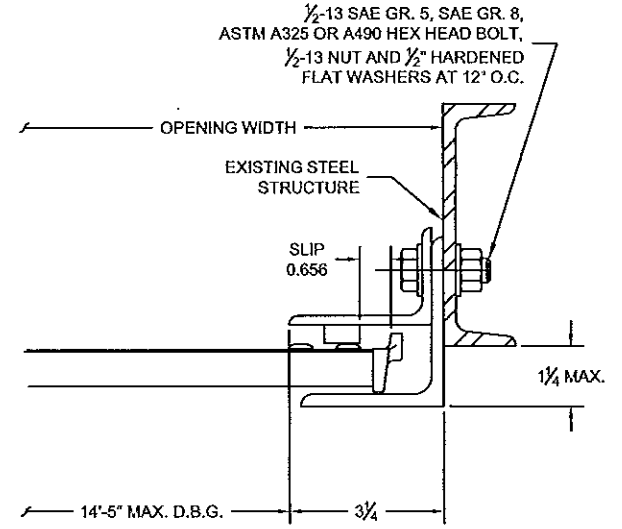
GUIDE ASSEMBLY
CONCRETE STRUCTURE



GUIDE ASSEMBLY
STEEL STRUCTURE

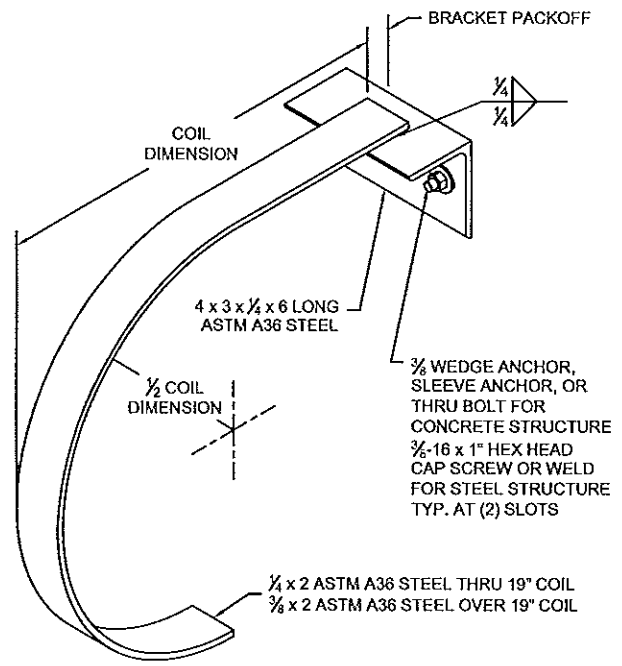
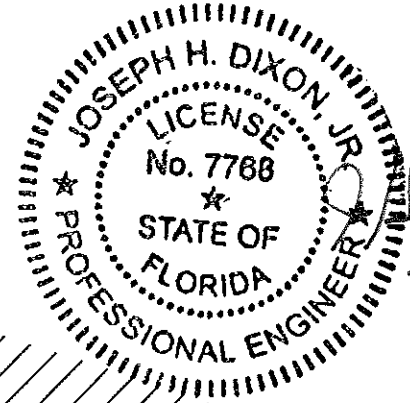


GUIDE ASSEMBLY
STEEL STRUCTURE

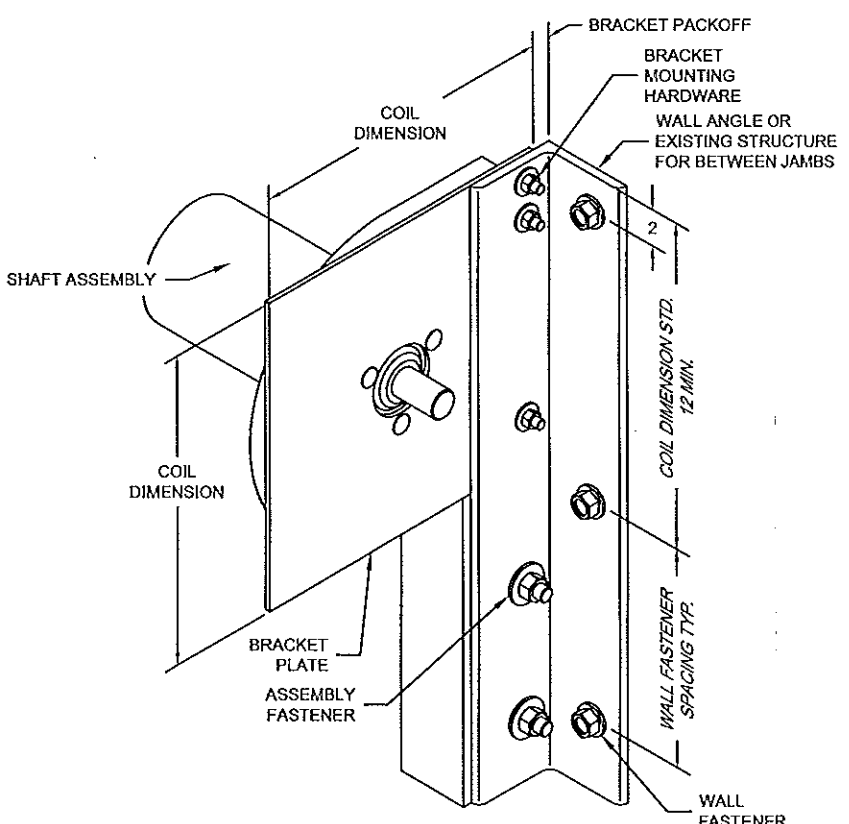


GUIDE ASSEMBLY
STEEL STRUCTURE
(BETWEEN JAMBS GUIDE)

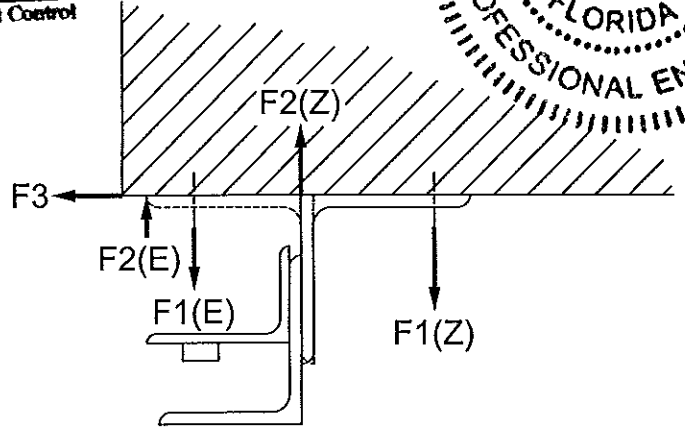
PRODUCT RENEWED
as complying with the Florida
Building Code
Acceptance No 13-0430-11
Expiration Date 07/18/2018
By [Signature]
Miami Dade Product Control



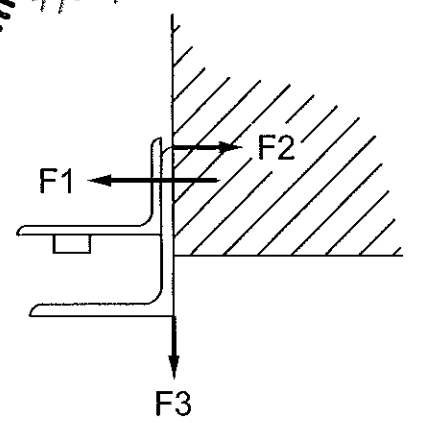
⑥ MID-HOOD SUPPORT
(WHEN REQUIRED)
"D" SHAPE DEPICTED, SQUARE STYLE ALSO AVAILABLE
SCALE: NTS



BRACKET MOUNTING / TOP WALL ANGLE FASTENING
BRACKET MOUNTING PER DETAIL 6 DEPICTED,
OTHER BRACKET MOUNTINGS ARE AVAILABLE
SCALE: NTS



Z OR E GUIDE



BETWEEN JAMBS GUIDE

UNREDUCED WIND FORCES ON BUILDING STRUCTURE (LBS / FOOT OF HEIGHT)																	
Z-GUIDE						E-GUIDE						BETWEEN JAMBS GUIDE					
POSITIVE			NEGATIVE			POSITIVE			NEGATIVE			POSITIVE		NEGATIVE			
F1	F2	F3	F1	F2	F3	F1	F2	F3	F1	F2	F3	F1	F2	F3	F1	F2	F3
1673	1232	1677	2747	3188	1677	5615	5174	1677	5434	5875	1677	2897	1280	432	6722	5105	432

BUILDING DESIGNER NOTE:
STRUCTURE MUST BE DESIGNED TO SUPPORT F1, F2, AND F3 FORCES (LBS./FT. OF OPENING HEIGHT) AT EACH JAMB.

CORNELL 100 ELMWOOD AVENUE
CRESTWOOD INDUSTRIAL PARK
MOUNTAINTOP, PA 18707

TITLE
DADE COUNTY APPROVED
14'-5" 60 PSF UNINSULATED
ROLLING STEEL DOOR

SIZE DRAWN DWG NO REV
D R. MAGGIO ES16-37-02 E
SCALE 1:4 SHEET 2 OF 2