



DEPARTMENT OF REGULATORY AND ECONOMIC RESOURCES (RER)
 BOARD AND CODE ADMINISTRATION DIVISION
NOTICE OF ACCEPTANCE (NOA)

MIAMI-DADE COUNTY
 PRODUCT CONTROL SECTION
 11805 SW 26 Street, Room 208
 Miami, Florida 33175-2474
 T (786) 315-2590 F (786) 315-2599
www.miamidade.gov/economy

Cornell Iron Works, Inc.
 24 Elmwood Avenue
 Mountaintop, PA 18707

SCOPE:

This NOA is being issued under the applicable rules and regulations governing the use of construction materials. The documentation submitted has been reviewed and accepted by Miami-Dade County RER-Product Control Section to be used in Miami Dade County and other areas where allowed by the Authority Having Jurisdiction (AHJ).

This NOA shall not be valid after the expiration date stated below. The Miami-Dade County Product Control Section (In Miami Dade County) and/or the AHJ (in areas other than Miami Dade County) reserve the right to have this product or material tested for quality assurance purposes. If this product or material fails to perform in the accepted manner, the manufacturer will incur the expense of such testing and the AHJ may immediately revoke, modify, or suspend the use of such product or material within their jurisdiction. RER reserves the right to revoke this acceptance, if it is determined by Miami-Dade County Product Control Section that this product or material fails to meet the requirements of the applicable building code.

This product is approved as described herein, and has been designed to comply with the Florida Building Code, including the High Velocity Hurricane Zone.

DESCRIPTION: Insulated Steel Roll-up Door up to 12'-5" Wide

APPROVAL DOCUMENT: Drawing No. ES16-36, titled "Dade County Approved 12'-5" wide 60 psf Insulated Rolling Steel Door", sheets 1 and 2 of 2, dated 04/10/2008, with revision D dated 03/25/2013, prepared by Cornell Iron Works, Inc, signed and sealed by Joseph H. Dixon, Jr., P.E., bearing the Miami-Dade County Product Control renewal stamp with the Notice of Acceptance number and expiration date by the Miami-Dade County Product Control Section.

MISSILE IMPACT RATING: Large and Small Missile Impact Resistant

LABELING A permanent label with the manufacturer's name or logo, manufacturing address, model number, the positive and negative design pressure rating, indicate impact rated if applicable, installation instruction drawing reference number, approval number (NOA), the applicable test standards, and the statement reading 'Miami-Dade County Product Control Approved' is to be located on the door's side track, bottom angle, or inner surface of a panel.

RENEWAL of this NOA shall be considered after a renewal application has been filed and there has been no change in the applicable building code negatively affecting the performance of this product.

TERMINATION of this NOA will occur after the expiration date or if there has been a revision or change in the materials, use, and/or manufacture of the product or process. Misuse of this NOA as an endorsement of any product, for sales, advertising or any other purposes shall automatically terminate this NOA. Failure to comply with any section of this NOA shall be cause for termination and removal of NOA.

ADVERTISEMENT: The NOA number preceded by the words Miami-Dade County, Florida, and followed by the expiration date may be displayed in advertising literature. If any portion of the NOA is displayed, then it shall be done in its entirety.

INSPECTION: A copy of this entire NOA shall be provided to the user by the manufacturer or its distributors and shall be available for inspection at the job site at the request of the Building Official.

This NOA renews NOA # 12-0206.11 and consists of this page 1 and evidence pages E-1 and E-2, as well as approval document mentioned above.

The submitted documentation was reviewed by Carlos M. Utrera, P.E.



[Handwritten Signature]
 106/26/2013

NOA No. 13-0430.10
 Expiration Date: July 17, 2018
 Approval Date: July 4, 2013
 Page 1

NOTICE OF ACCEPTANCE: EVIDENCE SUBMITTED

A. DRAWINGS

1. Drawing No. ES16-36, titled "Dade County Approved 12'-5" wide 60 psf Insulated Rolling Steel Door", sheets 1 and 2 of 2, dated 04/10/2008, with revision D dated 03/25/2013, prepared by Cornell Iron Works, Inc, signed and sealed by Joseph Dixon, Jr., P.E.

B. TESTS

1. Test reports on Forced Entry Resistance Test per FBC, TAS 202-94 of a Model C20P Rolling Steel Slat Door, prepared by Architectural Testing, Inc., Test Report No. B8848.01-109-18, dated 08/09/2012, with revision 3 dated 04/05/2013, signed and sealed by Michael D. Stremmel, P.E.

"Submitted under NOA # 10-1013.08"

2. Test reports on 1000 hours of Salt Spray per ASTM B117 of G-90 and G-40 painted samples, prepared by Intertek, Test Report No. G100075502, dated 05/26/2010, signed and sealed by Rick Curkeet, P.E.

"Submitted under NOA # 09-0218.10"

3. Test reports on 1) Uniform Static Air Pressure Test, Loading per FBC, TAS 202-94
2) Large Missile Impact Test per FBC, TAS 201-94
3) Cyclic Wind Pressure Loading per FBC, TAS 203-94
4) Tensile Test per ASTM E 8-01,

Along with marked-up drawings and installation diagram of Thermiser Rolling Steel Garage Doors, prepared by Architectural Testing, Inc., Test Report No. 79232.01-109-18, dated 02/25/2008, signed and sealed by Michael D. Stremmel, P.E.

"Submitted under NOA # 08-0425.10"

4. Test reports on Surface Burning Characteristics of Plastics per ASTM D 1929 and E 84 of Polyurethane Foam, prepared by ETC Laboratories, Test Report No. ETC-07-1071-18738.0, dated 03/26/2007, signed and sealed by Joseph L. Doldan, P.E.

C. CALCULATIONS *"Submitted under NOA # 10-1013.08"*

1. Between-jamb guide anchoring calculations and structural analysis, dated 10/10/2010, prepared, signed and sealed by Joseph H. Dixon, Jr., P.E.
2. Anchoring calculations and structural analysis, dated 02/10/2009, prepared, signed and sealed by Joseph H. Dixon, Jr., P.E. *"Submitted under NOA # 09-0218.10"*



106/26/2013

Carlos M. Utrera, P.E.
Product Control Examiner
NOA No. 13-0430.10
Expiration Date: July 17, 2018
Approval Date: July 4, 2013

NOTICE OF ACCEPTANCE: EVIDENCE SUBMITTED

D. QUALITY ASSURANCE


1. Miami-Dade Department of Regulatory and Economic Resources (RER)

E. MATERIAL CERTIFICATIONS

1. None.

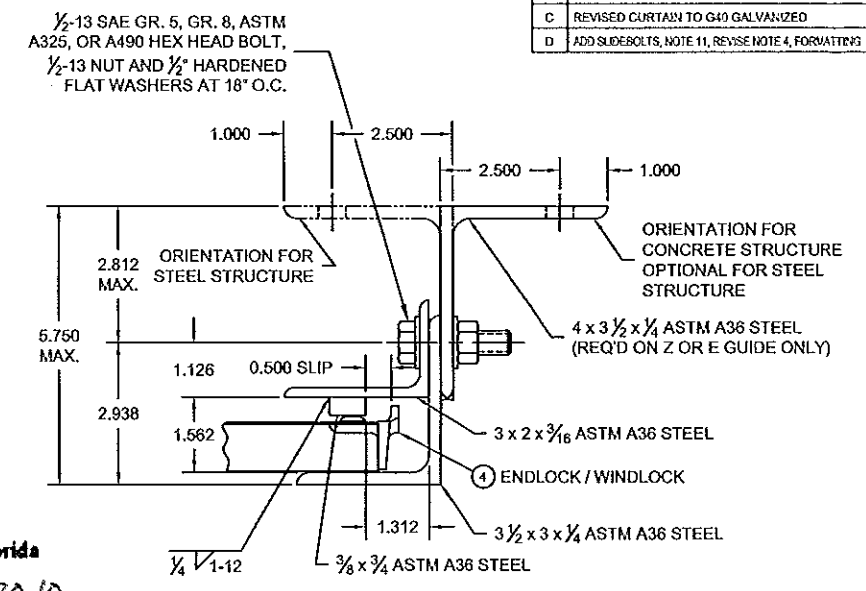
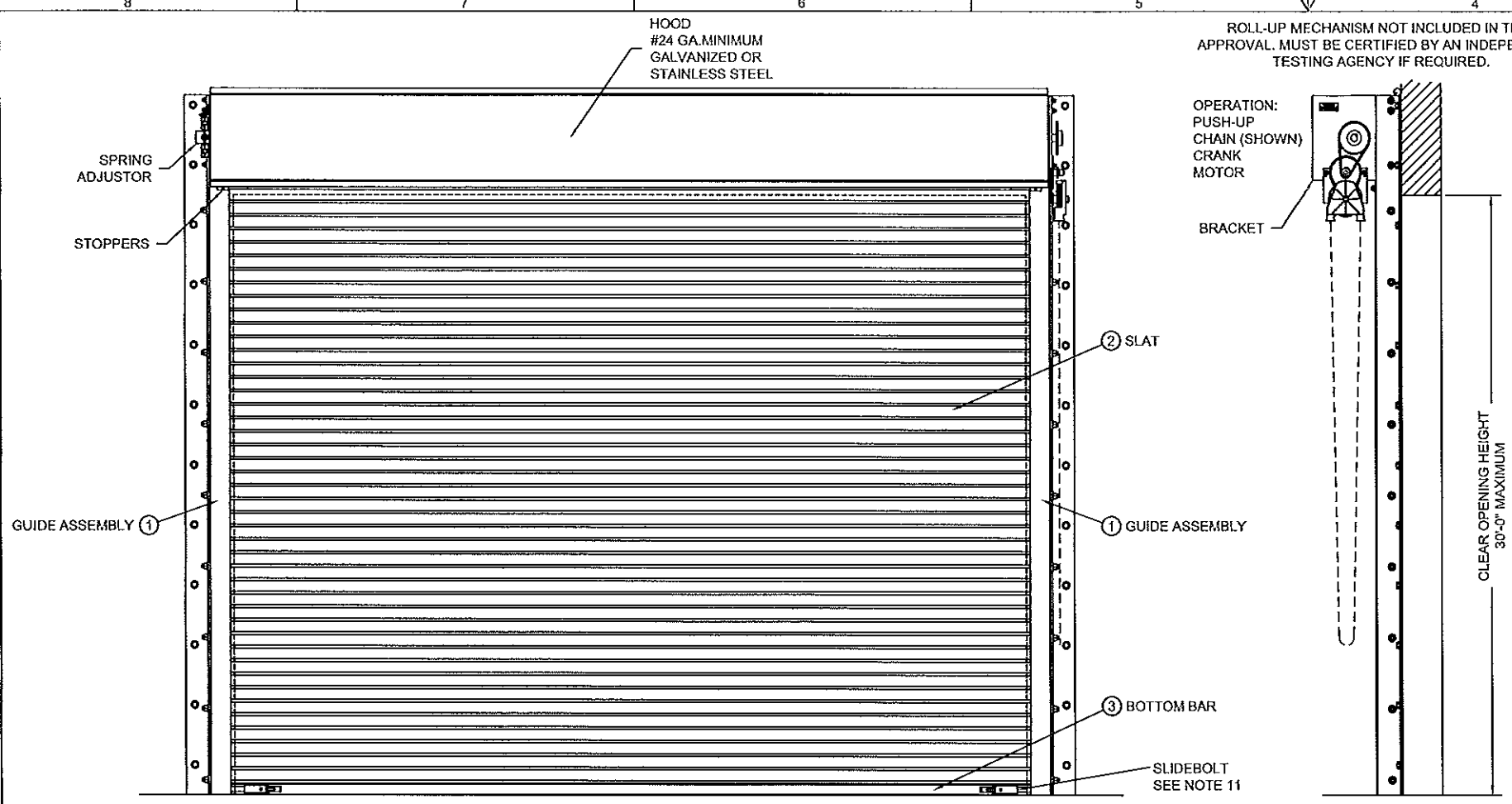
F. STATEMENTS

1. Statement letter of code conformance to 2010 FBC, dated 04/25/2013, signed and sealed by Joseph H. Dixon, Jr., P.E.
2. Statement letter of no financial interest, dated 04/25/2013, signed and sealed by Joseph H. Dixon, Jr., P.E.


06/26/2013

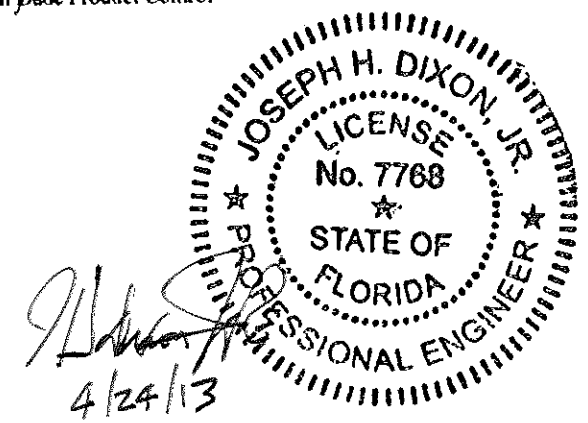
Carlos M. Utrera, P.E.
Product Control Examiner
NOA No. 13-0430.10
Expiration Date: July 17, 2018
Approval Date: July 4, 2013

LTR	REVISION	DATE	BY	E.C.O.
*	ORIGINAL ISSUE	04/10/2008	R.M.	*
A	REVISED NOTE SECTION PER DADE COUNTY LETTER	05/02/2008	R.M.	*
B	ADDED OPTIONAL ZEE GUIDE MOUNTING TO STEEL	12/04/2008	R.M.	*
C	REVISED CURTAIN TO G40 GALVANIZED	09/23/2010	R.M.	*
D	ADD SLIDEBOLTS, NOTE 11, REVISE NOTE 4, FORMATTING	03/25/2013	T.J.E.	*

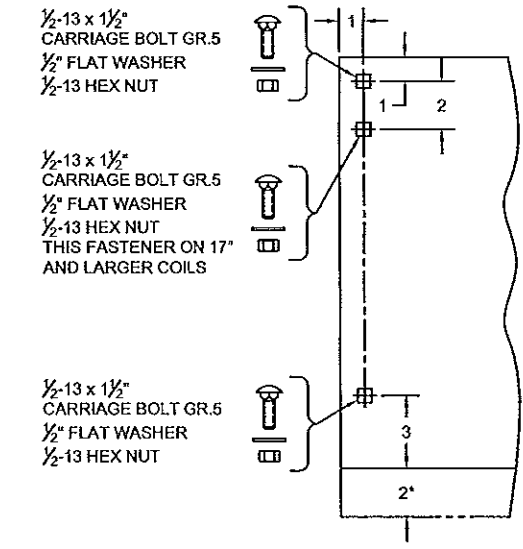
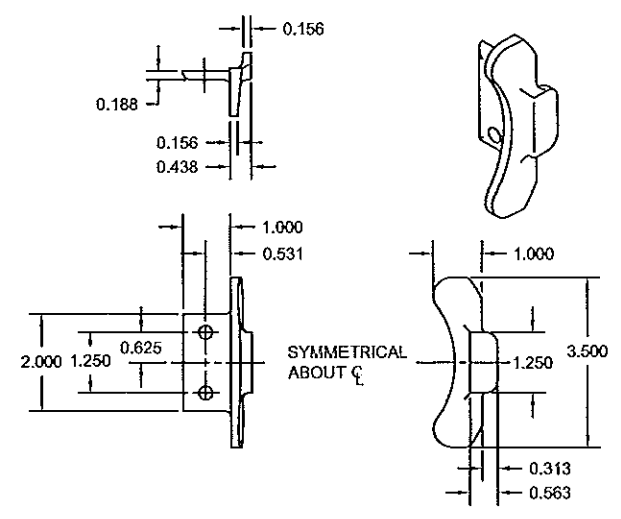
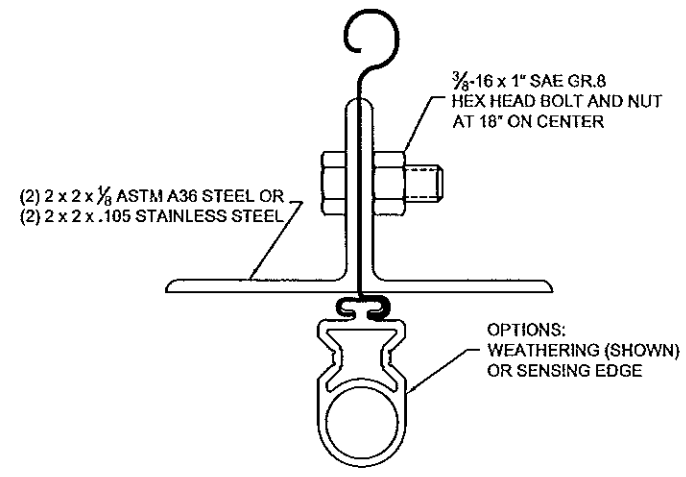
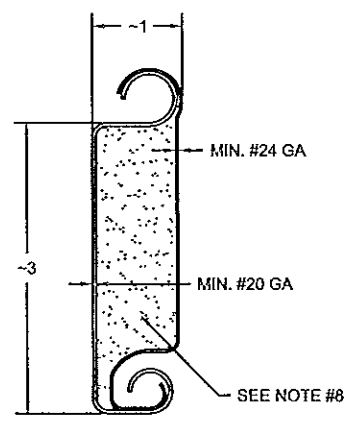
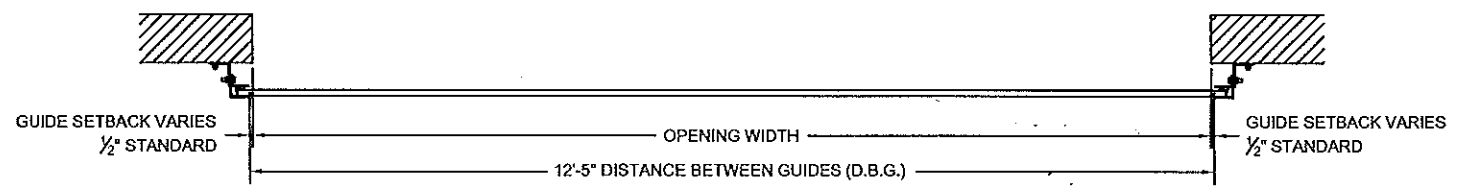


PRODUCT RENEWED
as complying with the Florida Building Code
Acceptance No. 13-0430.10
Expiration Date 2/7/17/2018
By *[Signature]*
Miami Dade Product Control

① GUIDE ASSEMBLY DETAIL
1/2 SCALE



- NOTES:
- THIS ROLL-UP DOOR SYSTEM IS DESIGNED IN ACCORDANCE WITH THE FLORIDA BUILDING CODE, LATEST EDITION, AS A LARGE MISSILE IMPACT RESISTANT SYSTEM.
 - POSITIVE AND NEGATIVE DESIGN PRESSURE CALCULATIONS SHALL BE PERFORMED FOR SPECIFIC JOBS IN ACCORDANCE WITH ASCE 7 MINIMUM DESIGN LOADS FOR BUILDINGS AND OTHER STRUCTURES. WIND LOADS DETERMINED FOR OPENINGS SHALL BE LESS THAN OR EQUAL TO DOOR DESIGN PRESSURES NOTED BELOW.
 - THE DETAILS AND SPECIFICATIONS SHOWN HEREIN REPRESENT THE PRODUCTS TESTED FOR UNIFORM STATIC AIR PRESSURE IN CONFORMANCE WITH DADE COUNTY PROTOCOLS TAS 201, 202 AND 203.
POSITIVE DESIGN LOAD = 60 PSF
NEGATIVE DESIGN LOAD = 60 PSF
 - TESTING PERFORMED BY ARCHITECTURAL TESTING, INC (YORK, PA.) TEST REPORT No. 79232.01-109-18 AND ARCHITECTURAL TESTING, INC. (YORK, PA) TEST REPORT No. B8848.01-109-18.
 - SUPERIMPOSED LOADS ON THE JAMBS FROM THIS DOOR ARE DESIGNATED AS F1, F2 AND F3 HEREIN. CONTRACTORS SHALL HAVE FLORIDA REGISTERED PROFESSIONAL ENGINEER VERIFY ADEQUACY OF BUILDING STRUCTURE TO RESIST SUPERIMPOSED LOADS F1, F2, AND F3.
 - ALL WELDING SHALL BE PERFORMED BY QUALIFIED WELDERS IN ACCORDANCE WITH AWS SPECIFICATIONS, LATEST EDITION. ALL WELDING ELECTRODES SHALL CONFORM TO AWS A5.1, GRADE E-70. MINIMUM WELDING PROCESS SHALL BE ARC WELDING AWS E7014 OR MIG WELDING AWS ER70S-6.
 - ANCHOR NOTES:
A. EMBEDMENT DEPTH DOES NOT INCLUDE STUCCO FINISH.
B. ANCHORS SHALL BE INSTALLED IN ACCORDANCE WITH MANUFACTURERS SPECIFICATIONS.
 - FOAMED IN PLACE INSULATION, TESTED IN ACCORDANCE WITH ASTM E-84 AND D-1929 OR MINERAL WOOL INSULATION.
 - DOOR MAY BE INSTALLED ON THE INSIDE OR OUTSIDE OF AN EXTERIOR WALL.
 - A 33% INCREASE IN ALLOWABLE STRESS HAS NOT BEEN USED IN THE DESIGN OF THIS PRODUCT.
 - SLIDE BOLTS ARE NOT REQUIRED FOR WINDLOAD RESISTANCE. SLIDE BOLTS ARE ONLY REQUIRED ON PUSH UP OPERATED UNITS FOR FORCED ENTRY RESISTANCE. LOCKING IS TO BE PROVIDED BY OTHERS OR AS CYLINDER LOCKS BY CORNELL IRON WORKS.



CORNELL 24 ELMWOOD AVENUE
CRESTWOOD INDUSTRIAL PARK
MOUNTAINTOP, PA 18707

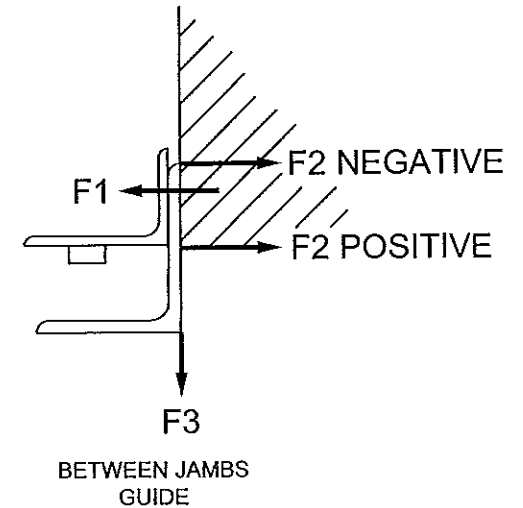
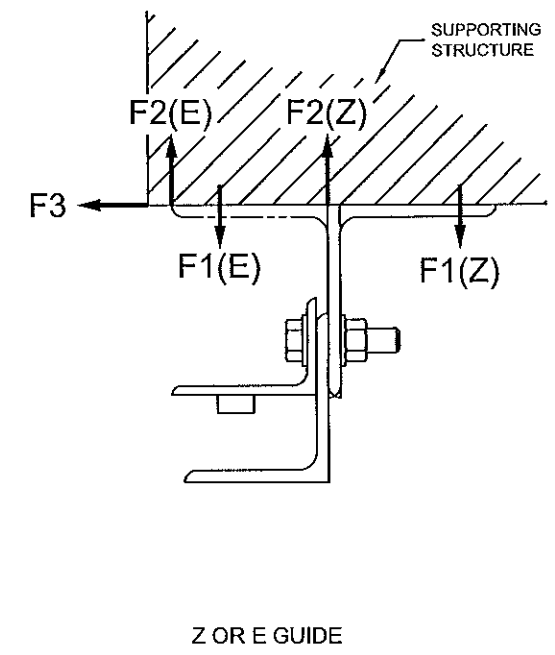
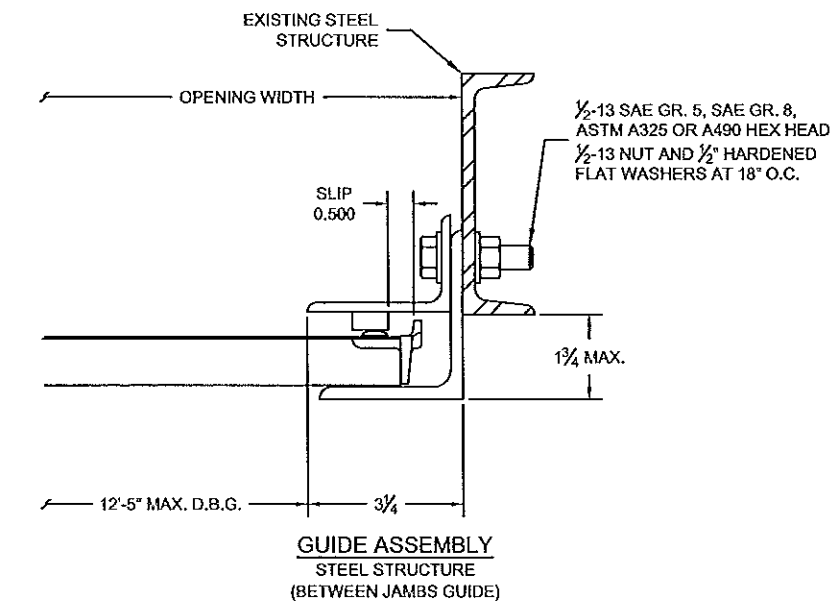
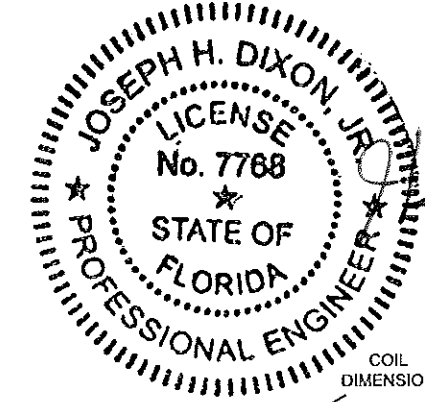
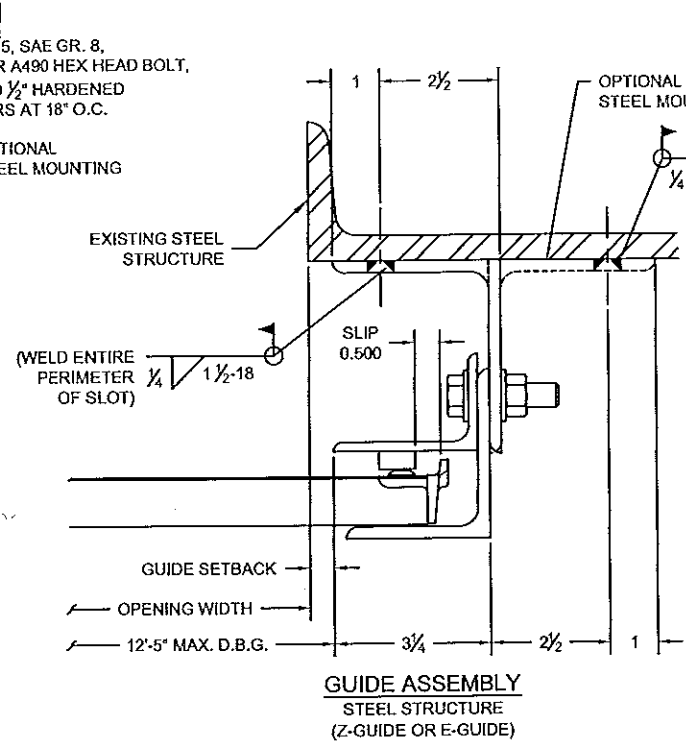
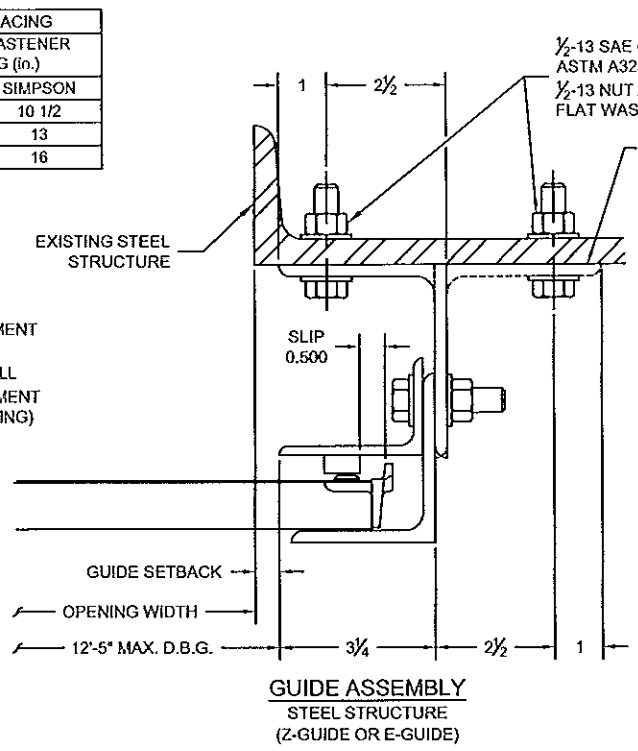
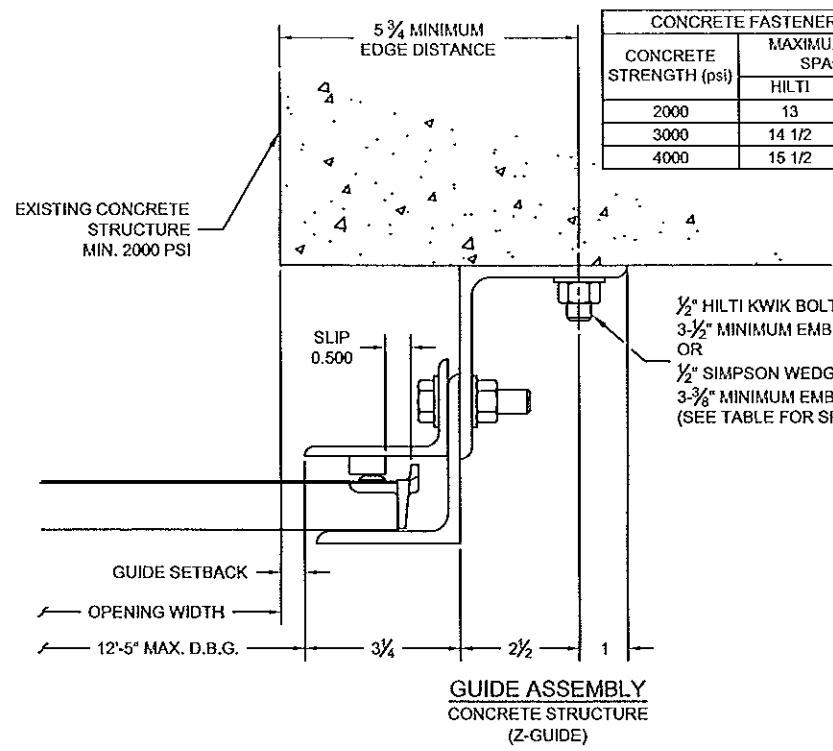
TITLE
DADE COUNTY APPROVED
12'-5" WIDE 60 PSF INSULATED
ROLLING STEEL DOOR

SIZE DRAWN DWG NO REV
D R. MAGGIO ES16-36-01 D

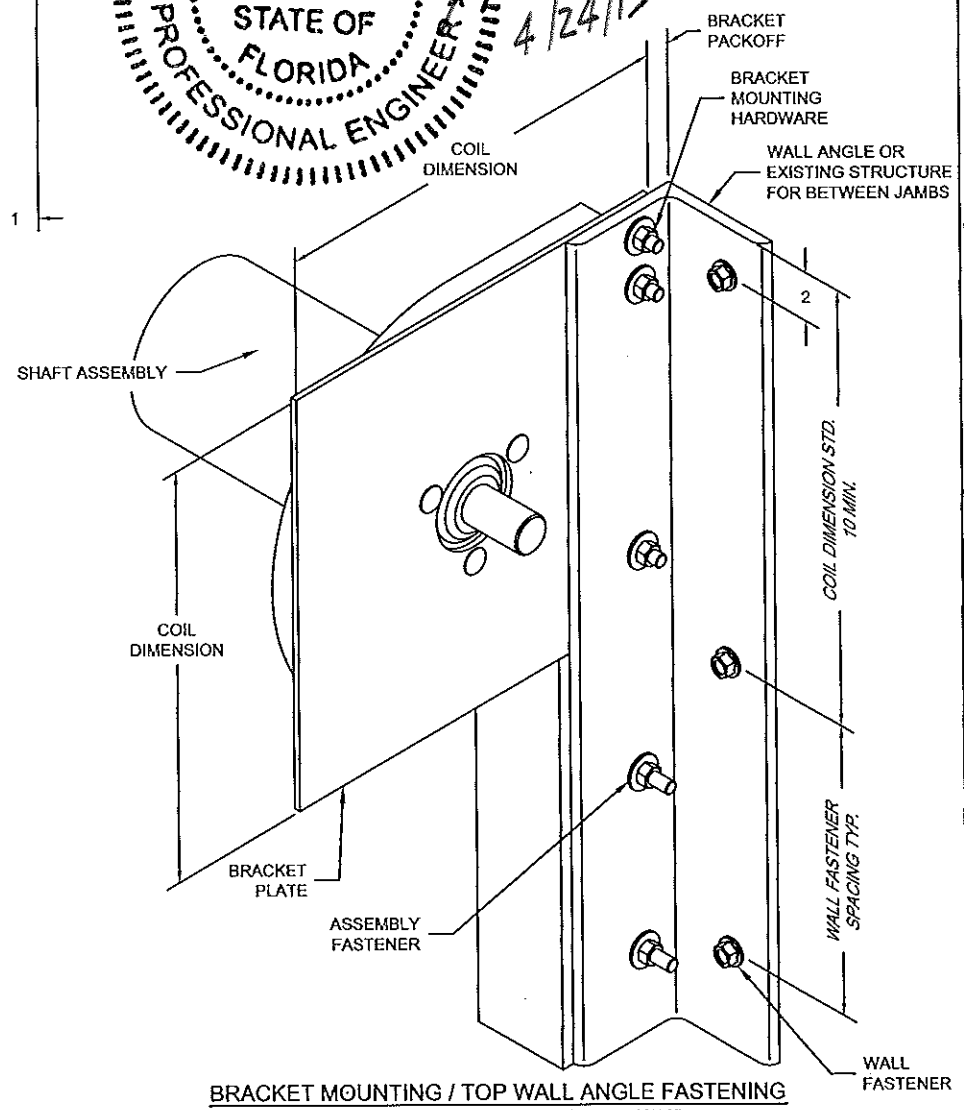
SCALE 1:16 & AS NOTED SHEET 1 OF 2

L/TR	REVISION	DATE	BY	E.C.O.
*	ORIGINAL ISSUE	04/18/2008	R.M.	*
A	REVISED NOTE SECTION PER DADE COUNTY LETTER	06/02/2008	R.M.	*
B	ADDED OPTIONAL ZEE GUIDE MOUNTING TO STEEL	12/04/2008	R.M.	*
C	ADDED OPTIONAL BETWEEN JAMBS GUIDE MOUNTING TO STEEL	09/23/2010	R.M.	*
D	ADD SLIDE BOLTS, NOTE 11, REVISE NOTE 4, FOR WATTVG	03/25/2013	TJE	*

CONCRETE STRENGTH (psi)	MAXIMUM FASTENER SPACING (in.)	
	HILTI	SIMPSON
2000	13	10 1/2
3000	14 1/2	13
4000	15 1/2	16



PRODUCT RENEWED as complying with the Florida Building Code Acceptance No 13-0430.10 Expiration Date 27/1/2018 By [Signature] Miami Code Product Control



UNREDUCED WIND FORCES ON BUILDING STRUCTURE (LBS / FOOT OF HEIGHT)																		
Z-GUIDE						E-GUIDE						BETWEEN JAMBS GUIDE						
POSITIVE			NEGATIVE			POSITIVE			NEGATIVE			POSITIVE			NEGATIVE			
F1	F2	F3	F1	F2	F3	F1	F2	F3	F1	F2	F3	F1	F2	F3	F1	F2	F3	
692	311	685	1534	1915	685	2968	2587	685	2596	2977	685	850	165	381	4765	4081	381	

BUILDING DESIGNER NOTE: STRUCTURE MUST BE DESIGNED TO SUPPORT F1, F2, AND F3 FORCES (LBS/FT. OF OPENING HEIGHT) AT EACH JAMB.

CORNELL 24 ELMWOOD AVENUE CRESTWOOD INDUSTRIAL PARK MOUNTAIN TOP, PA 18707

TITLE: DADE COUNTY APPROVED 12'-5" WIDE 60 PSF INSULATED ROLLING STEEL DOOR

SIZE: D DRAWN: R. MAGGIO DNG NO: ES16-36-02 REV: D

SCALE: 1/4" & AS NOTED SHEET 2 OF 2