



DEPARTMENT OF REGULATORY AND ECONOMIC RESOURCES (RER)  
 BOARD AND CODE ADMINISTRATION DIVISION  
**NOTICE OF ACCEPTANCE (NOA)**

MIAMI-DADE COUNTY  
 PRODUCT CONTROL SECTION  
 11805 SW 26 Street, Room 208  
 Miami, Florida 33175-2474  
 T (786) 315-2590 F (786) 315-2599  
[www.miamidade.gov/economy](http://www.miamidade.gov/economy)

**Cornell Iron Works, Inc.**  
 24 Elmwood Avenue  
 Mountaintop, PA 18707

**SCOPE:**

This NOA is being issued under the applicable rules and regulations governing the use of construction materials. The documentation submitted has been reviewed and accepted by Miami-Dade County RER-Product Control Section to be used in Miami Dade County and other areas where allowed by the Authority Having Jurisdiction (AHJ).

This NOA shall not be valid after the expiration date stated below. The Miami-Dade County Product Control Section (In Miami Dade County) and/or the AHJ (in areas other than Miami Dade County) reserve the right to have this product or material tested for quality assurance purposes. If this product or material fails to perform in the accepted manner, the manufacturer will incur the expense of such testing and the AHJ may immediately revoke, modify, or suspend the use of such product or material within their jurisdiction. RER reserves the right to revoke this acceptance, if it is determined by Miami-Dade County Product Control Section that this product or material fails to meet the requirements of the applicable building code.

This product is approved as described herein, and has been designed to comply with the Florida Building Code, including the High Velocity Hurricane Zone.

**DESCRIPTION: Insulated Steel Roll-up Door up to 14'-5" Wide**

**APPROVAL DOCUMENT:** Drawing No. **ES16-28**, titled "Dade County Approved 14'-5" wide 120 psf Insulated Rolling Steel Door", Sheets 1 and 2 of 2, dated 11/21/2006, with revision C dated 01/04/2013, prepared by Cornell Iron Works, Inc, signed and sealed by Joseph H. Dixon, Jr., P.E., bearing the Miami-Dade County Product Control renewal stamp with the Notice of Acceptance number and expiration date by the Miami-Dade County Product Control Section.

**MISSILE IMPACT RATING: Large and Small Missile Impact Resistant**

**LABELING:** A permanent label with the manufacturer's name or logo, manufacturing address, model number, the positive and negative design pressure rating, indicate impact rated if applicable, installation instruction drawing reference number, approval number (NOA), the applicable test standards, and the statement reading 'Miami-Dade County Product Control Approved' is to be located on the door's side track, bottom angle, or inner surface of a panel.

**RENEWAL** of this NOA shall be considered after a renewal application has been filed and there has been no change in the applicable building code negatively affecting the performance of this product.

**TERMINATION** of this NOA will occur after the expiration date or if there has been a revision or change in the materials, use, and/or manufacture of the product or process. Misuse of this NOA as an endorsement of any product, for sales, advertising or any other purposes shall automatically terminate this NOA. Failure to comply with any section of this NOA shall be cause for termination and removal of NOA.

**ADVERTISEMENT:** The NOA number preceded by the words Miami-Dade County, Florida, and followed by the expiration date may be displayed in advertising literature. If any portion of the NOA is displayed, then it shall be done in its entirety.

**INSPECTION:** A copy of this entire NOA shall be provided to the user by the manufacturer or its distributors and shall be available for inspection at the job site at the request of the Building Official.

This NOA renews NOA # 12-0209.02 and consists of this page 1 and evidence pages E-1 and E-2, as well as approval document mentioned above.

The submitted documentation was reviewed by **Carlos M. Utrera, P.E.**



*[Handwritten Signature]*  
 04/17/2013

NOA No. 13-0206.15  
 Expiration Date: May 10, 2017  
 Approval Date: April 25, 2013  
 Page 1

**NOTICE OF ACCEPTANCE: EVIDENCE SUBMITTED**

**A. DRAWINGS**

1. Drawing No. **ES16-28**, titled "Dade County Approved 14'-5" wide 120 psf Insulated Rolling Steel Door", Sheets 1 and 2 of 2, dated 11/21/2006, with revision C dated 01/04/2013, prepared by Cornell Iron Works, Inc, signed and sealed by Joseph Dixon, Jr., P.E.

**B. TESTS "Submitted under NOA # 12-1019.26"**

1. Test reports on Forced Entry Resistance Test per FBC, TAS 202-94 of a Model C20P Rolling Steel Slat Door, prepared by Architectural Testing, Inc., Test Report No. **B8848.01-109-18**, dated 08/09/2012, with revision 1 dated 01/02/2013, signed and sealed by Michael D. Stremmel, P.E.

**"Submitted under NOA # 10-1112.06"**

2. Test reports on 1000 hours of Salt Spray per ASTM B117 of G-90 and G-40 painted samples, prepared by Intertek, Test Report No. **G100075502**, dated 05/26/2010, signed and sealed by Rick Curkeet, P.E.

**"Submitted under NOA # 08-1219.05"**

3. Test report on Ignition Temperature per ASTM D1929 and Flame Spread/ Smoke generation per ASTM E84, Report No. **ETC-07-1071-18738.0**, prepared by ETC Laboratories, dated 02/15/2007, signed and sealed by Joseph L. Doldan, P.E.

**"Submitted under NOA # 06-1205.07"**

4. Test reports on 1) Uniform Static Air Pressure Test (Structural) per FBC, TAS 202-94  
2) Large Missile Impact Test per FBC, TAS 201-94  
3) Cyclic Wind Pressure Loading per FBC, TAS 203-94  
along with marked-up drawings of Model ESD20 Thermiser Galvanized Steel Roll-up Door, Report No. **CTLA-1600W**, prepared by Certified Testing Laboratories, dated 11/28/2006, signed and sealed by Ramesh Patel, P.E.
5. Test report on Tensile Test per ASTM E8 of Galvanized Steel, Report No. **CTLA-1600W and 1600W-1**, prepared by Certified Testing Laboratories, dated 12/04/2006, signed and sealed by Ramesh Patel, P.E.

**C. CALCULATIONS "Submitted under NOA # 10-1112.06"**

1. Between-jamb guide anchoring calculations and structural analysis, dated 10/22/2010, prepared, signed and sealed by Joseph H. Dixon, Jr., P.E.  
**"Submitted under NOA # 08-0219.05"**
2. Anchoring calculations and structural analysis, dated 12/15/2008, prepared, signed and sealed by Joseph H. Dixon, Jr., P.E.



Carlos M. Utrera, P.E.  
Product Control Examiner  
NOA No. 13-0206.15  
Expiration Date: May 10, 2017  
Approval Date: April 25, 2013

**NOTICE OF ACCEPTANCE: EVIDENCE SUBMITTED**

**D. QUALITY ASSURANCE**

1. Miami-Dade Department of Regulatory and Economic Resources (RER)

**E. MATERIAL CERTIFICATIONS**

1. None.

**F. STATEMENTS**

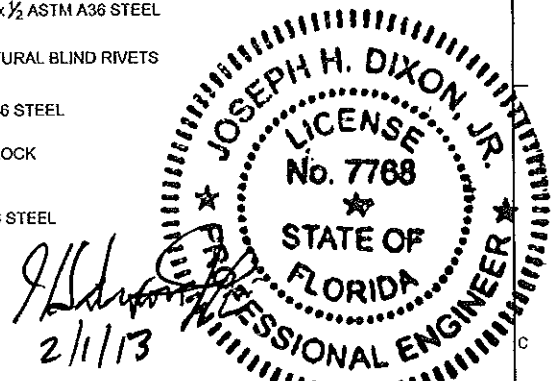
1. Statement letter of code conformance to 2010 FBC, dated 02/01/2013, signed and sealed by Joseph H. Dixon, Jr., P.E.
2. Statement letter of no financial interest, dated 02/01/2013, signed and sealed by Joseph H. Dixon, Jr., P.E.



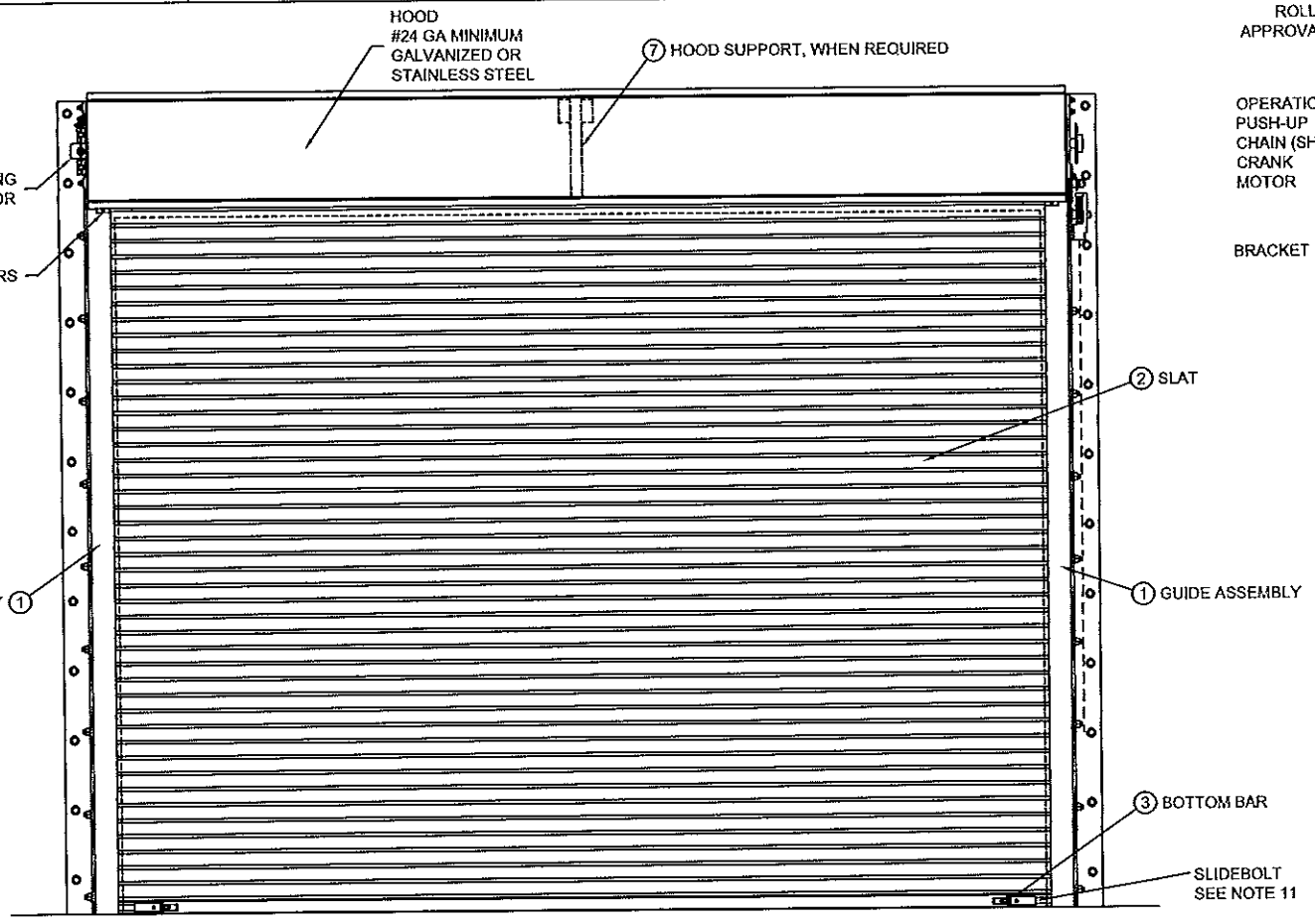
---

Carlos M. Utrera, P.E.  
Product Control Examiner  
NOA No. 13-0206.15  
Expiration Date: May 10, 2017  
Approval Date: April 25, 2013

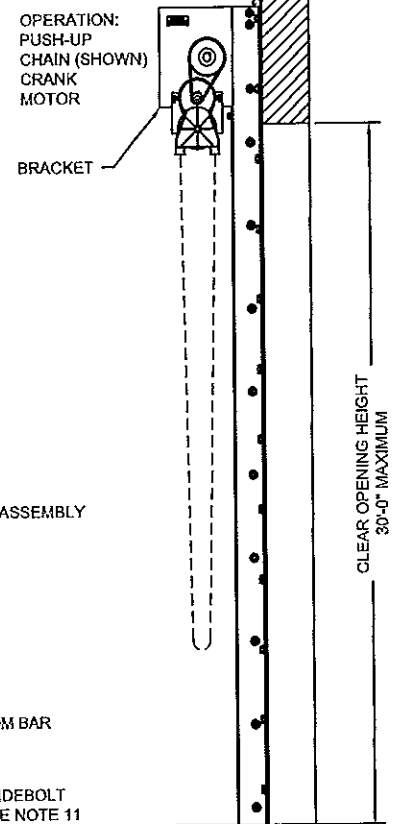
LTR	REVISION	DATE	BY	E.C.O.
*	ORIGINAL ISSUE	11/21/2006	R.M.	*
A	REVISED NOTES FOR 2007 BUILDING CODE	12/04/2008	R.M.	*
B	REVISED CURTAIN TO G40 GALVANIZED	10/28/2010	R.M.	*
C	ADD SLIDE BOLTS, NOTE 11, REVISE NOTE 4, FOR WATTS	01/04/2013	TJE	1567



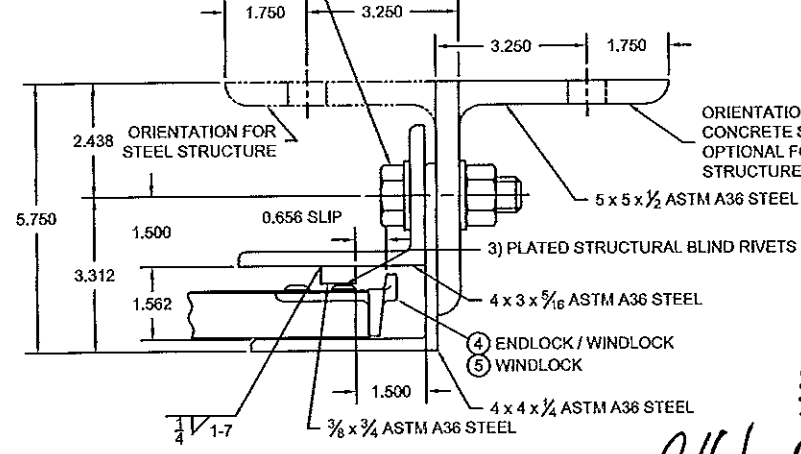
NOTES:  
 1. THIS ROLL-UP DOOR SYSTEM IS DESIGNED IN ACCORDANCE WITH THE FLORIDA BUILDING CODE, LATEST EDITION, AS A LARGE MISSILE IMPACT RESISTANT SYSTEM.  
 2. POSITIVE AND NEGATIVE DESIGN PRESSURE CALCULATIONS SHALL BE PERFORMED FOR SPECIFIC JOBS IN ACCORDANCE WITH ASCE 7 MINIMUM DESIGN LOADS FOR BUILDINGS AND OTHER STRUCTURES. WIND LOADS DETERMINED FOR OPENINGS SHALL BE LESS THAN OR EQUAL TO DOOR DESIGN PRESSURES NOTED BELOW.  
 3. THE DETAILS AND SPECIFICATIONS SHOWN HEREIN REPRESENT THE PRODUCTS TESTED FOR UNIFORM STATIC AIR PRESSURE IN CONFORMANCE WITH DADE COUNTY PROTOCOLS TAS 201, 202 AND 203.  
 POSITIVE DESIGN LOAD = 120 PSF  
 NEGATIVE DESIGN LOAD = 120 PSF  
 4. TESTING PERFORMED BY CERTIFIED TESTING LABORATORIES (ORLANDO, FL.) TEST REPORT No. CTLA-1600W AND ARCHITECTURAL TESTING INC. (YORK, PA) TEST REPORT No. B8848.01-109-18.  
 5. SUPERIMPOSED LOADS ON THE JAMBS FROM THIS DOOR ARE DESIGNATED AS F1, F2 AND F3 HEREIN. CONTRACTORS SHALL HAVE FLORIDA REGISTERED PROFESSIONAL ENGINEER VERIFY ADEQUACY OF BUILDING STRUCTURE TO RESIST SUPERIMPOSED LOADS F1, F2, AND F3.  
 6. ALL WELDING SHALL BE PERFORMED BY QUALIFIED WELDERS IN ACCORDANCE WITH AWS SPECIFICATIONS, LATEST EDITION. ALL WELDING ELECTRODES SHALL CONFORM TO AWS A5.1, GRADE E-70. MINIMUM WELDING PROCESS SHALL BE ARC WELDING AWS E7014 OR MIG WELDING AWS ER70S-6.  
 7. ANCHOR NOTES:  
 A. EMBEDMENT DEPTH DOES NOT INCLUDE STUCCO FINISH.  
 B. ANCHORS SHALL BE INSTALLED IN ACCORDANCE WITH MANUFACTURERS SPECIFICATIONS.  
 8. FOAMED IN PLACE INSULATION, TESTED IN ACCORDANCE WITH ASTM E-84 AND D-1929 OR MINERAL WOOL INSULATION.  
 9. DOOR MAY BE INSTALLED ON THE INSIDE OR OUTSIDE OF AN EXTERIOR WALL.  
 10. A 33% INCREASE IN ALLOWABLE STRESS HAS NOT BEEN USED IN THE DESIGN OF THIS PRODUCT.  
 11. SLIDE BOLTS ARE NOT REQUIRED FOR WINDLOAD RESISTANCE. SLIDE BOLTS ARE ONLY REQUIRED ON PUSH UP OPERATED UNITS FOR FORCED ENTRY RESISTANCE. LOCKING IS TO BE PROVIDED BY OTHERS OR AS CYLINDER LOCKS BY CORNELL IRON WORKS.



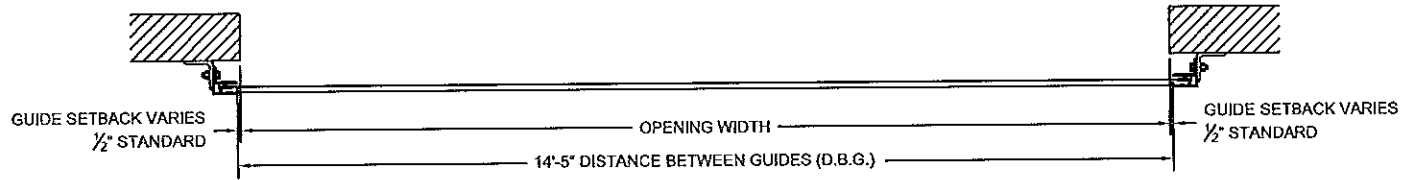
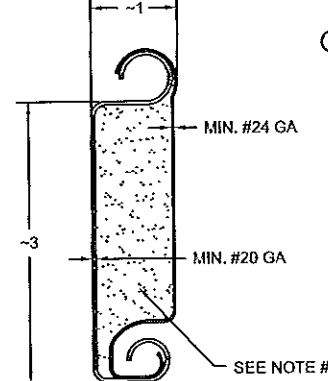
ROLL-UP MECHANISM NOT INCLUDED IN THIS APPROVAL. MUST BE CERTIFIED BY AN INDEPENDENT TESTING AGENCY IF REQUIRED.



3/4-10 x 2-1/2" SAE GR. 8, ASTM A325, OR A490 HEX HEAD BOLT, 3/4-10 NUT AND 3/4" HARDENED FLAT WASHERS AT 17" O.C.



1 GUIDE ASSEMBLY DETAIL 1/2 SCALE



PRODUCT RENEWED as complying with the Florida Building Code Acceptance No. 13-0206.15 Expiration Date 05/16/2017 By Miami Dade Product Control

2 SLAT DETAIL TYPICAL SECTION  
 ASTM A653 HSLAS TYPE B GRADE 40 G40 OR ASTM A653 HSLAS TYPE A GRADE 40 G40 OR ASTM A653 STRUCTURAL STEEL GRADE 40 G40 OR TYPE 304 STAINLESS STEEL (MIN. YIELD 40,000 psi) OR TYPE 430 STAINLESS STEEL (MIN. YIELD 40,000 psi) OR TYPE 201 STAINLESS STEEL (MIN. YIELD 40,000 psi) FULL SCALE

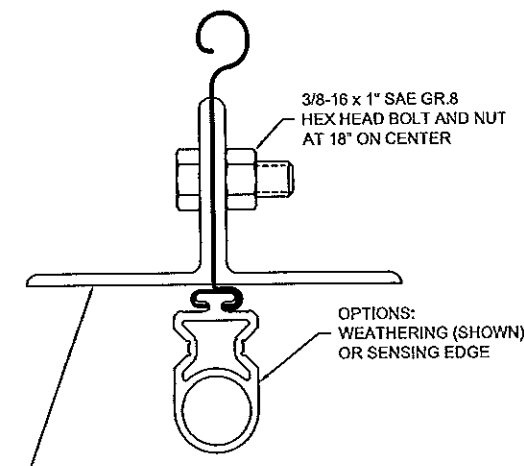
1/2-13 x 1 1/2 CARRIAGE BOLT GR.5  
 1/2\"/>

1/2-13 x 1 1/2 CARRIAGE BOLT GR.5  
 1/2\"/>

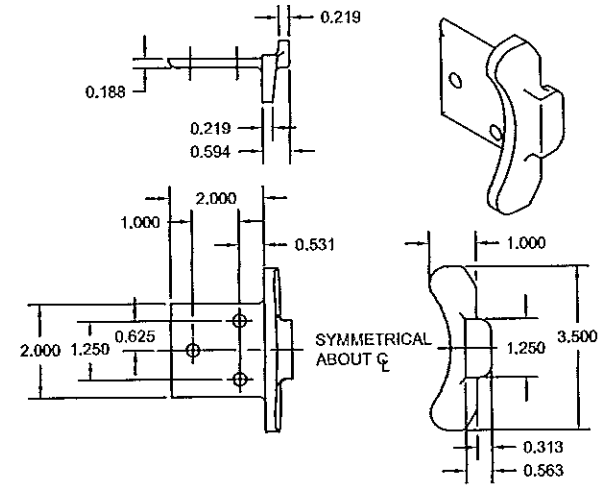
1/2-13 x 1 1/2 CARRIAGE BOLT GR.5  
 1/2\"/>

6 BRACKET MOUNTING DETAIL 0.172 MIN. THICKNESS 1/2 SCALE

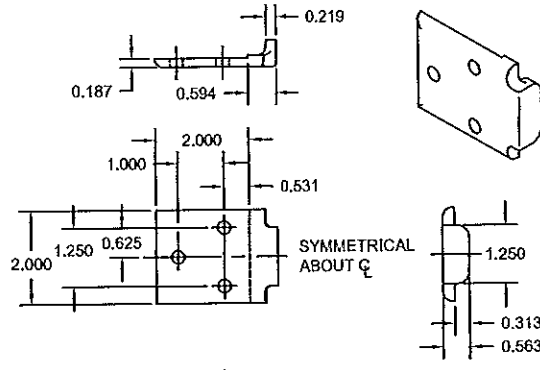
\* 2" EXTENSION WHEN 8" AND LARGER SHAFT ASSEMBLY IS SUPPLIED



3 BOTTOM BAR DETAIL TYPICAL SECTION FULL SCALE



4 ENDLOCK / WINDLOCK DETAIL CAST MALLEABLE IRON ASTM A47, GRADE 32510, OR DUCTILE IRON PER ASTM A536 GRADE 65-45-12, GALVANIZED IN ACCORDANCE WITH ASTM A123, GRADE 85 ZINC-COATING 1/2 SCALE



5 WINDLOCK DETAIL CAST MALLEABLE IRON ASTM A47, GRADE 32510, OR DUCTILE IRON PER ASTM A536 GRADE 65-45-12, GALVANIZED IN ACCORDANCE WITH ASTM A123, GRADE 85 ZINC-COATING 1/2 SCALE

**CORNELL** 24 ELMWOOD AVENUE CRESTWOOD INDUSTRIAL PARK MOUNTAIN TOP, PA 18707

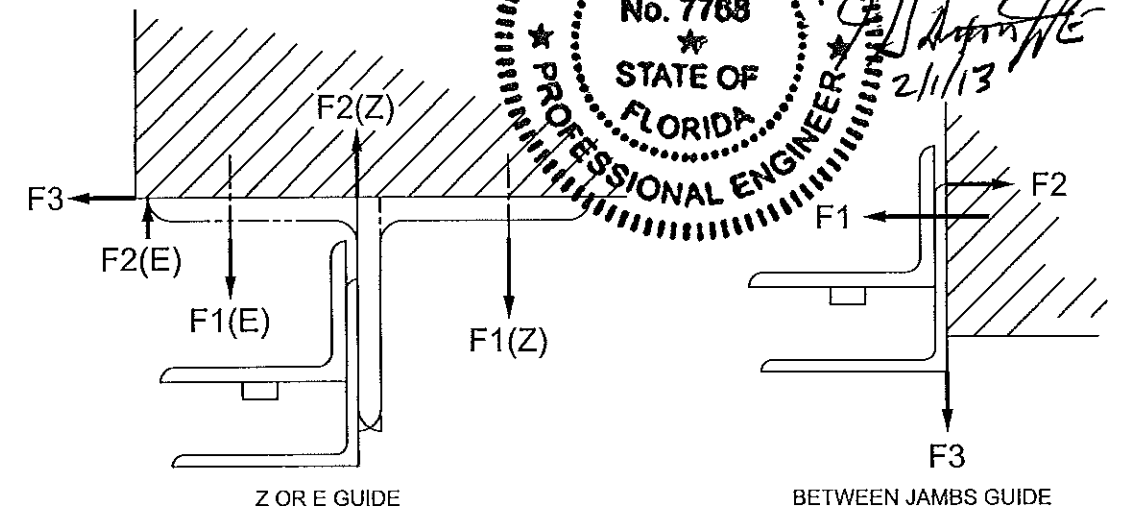
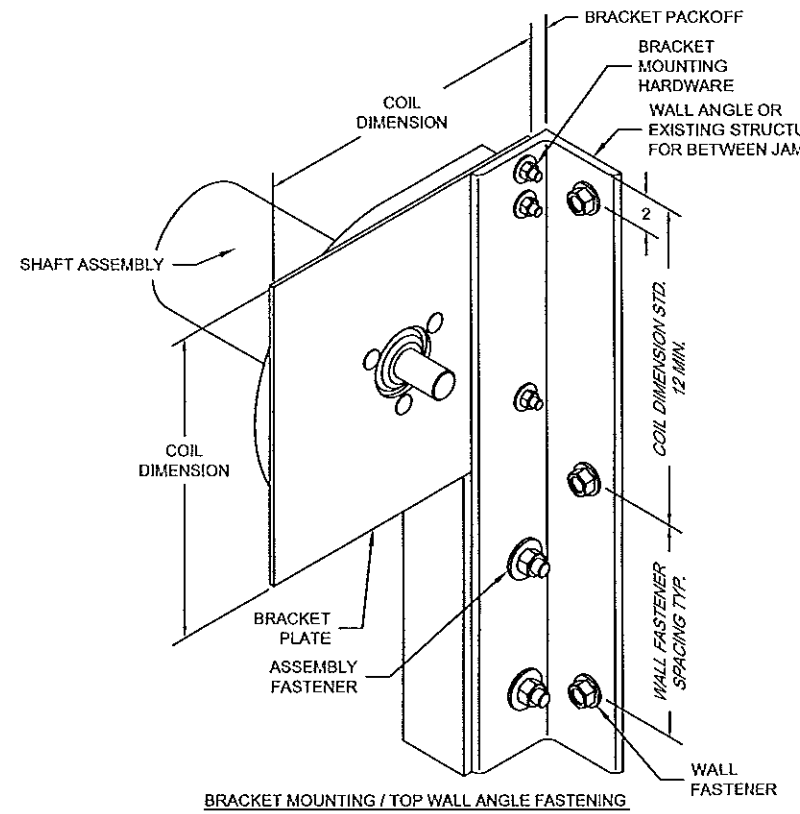
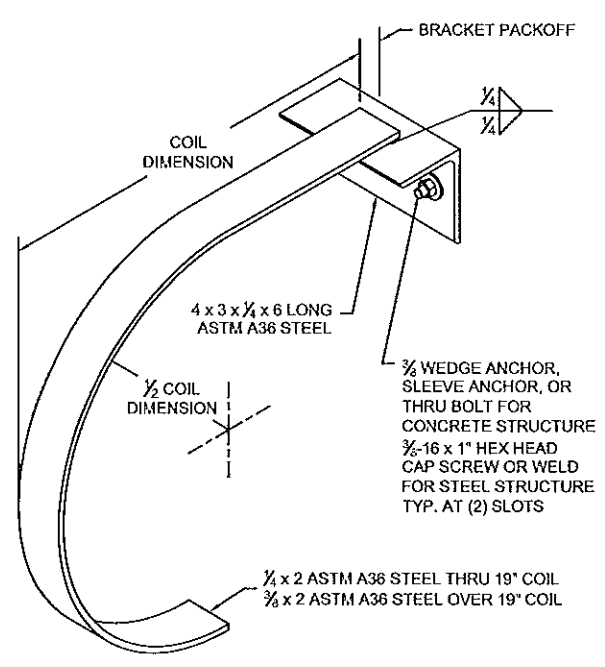
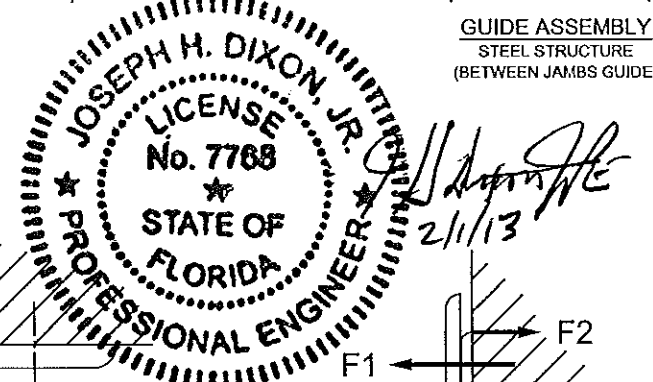
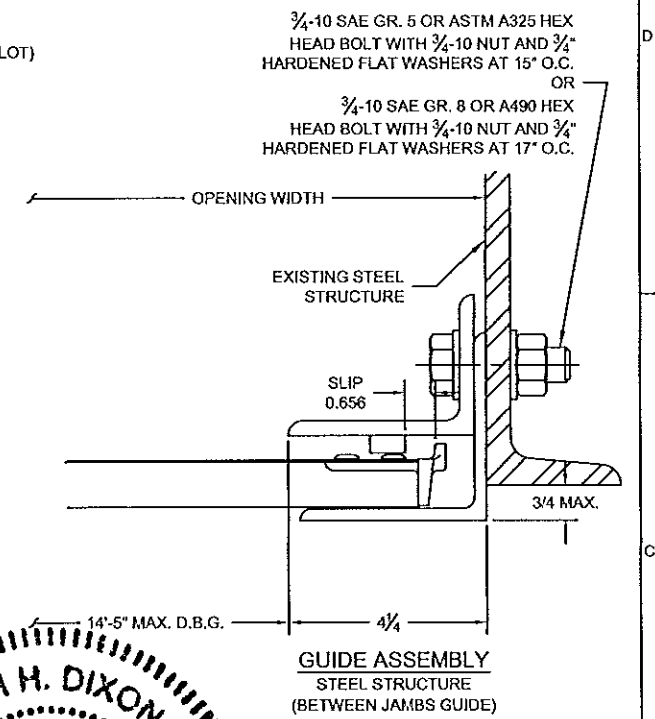
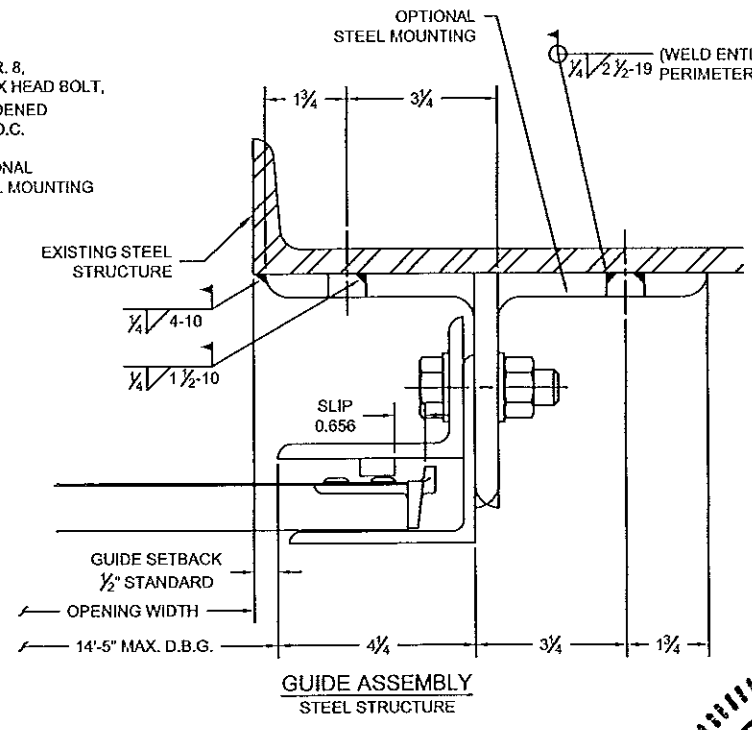
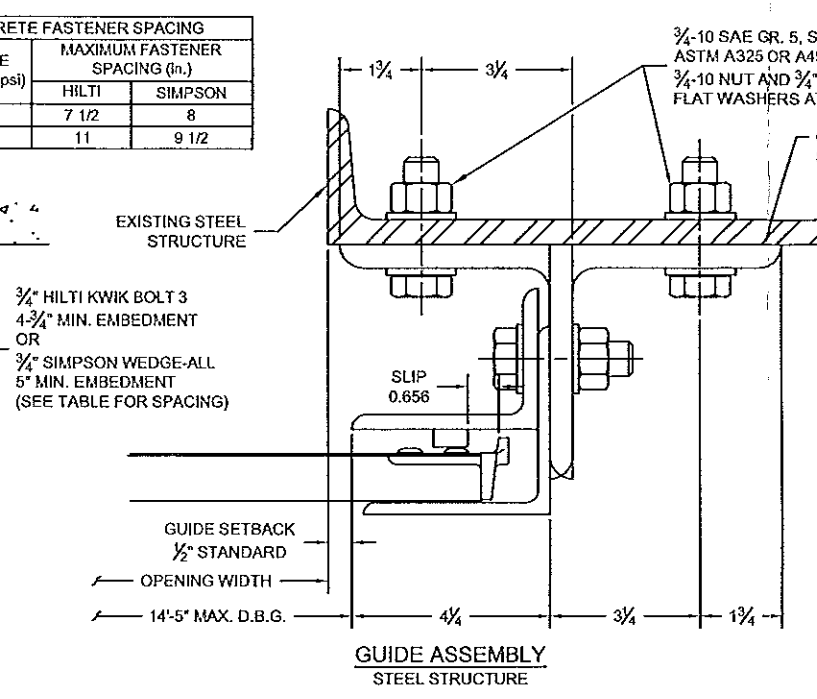
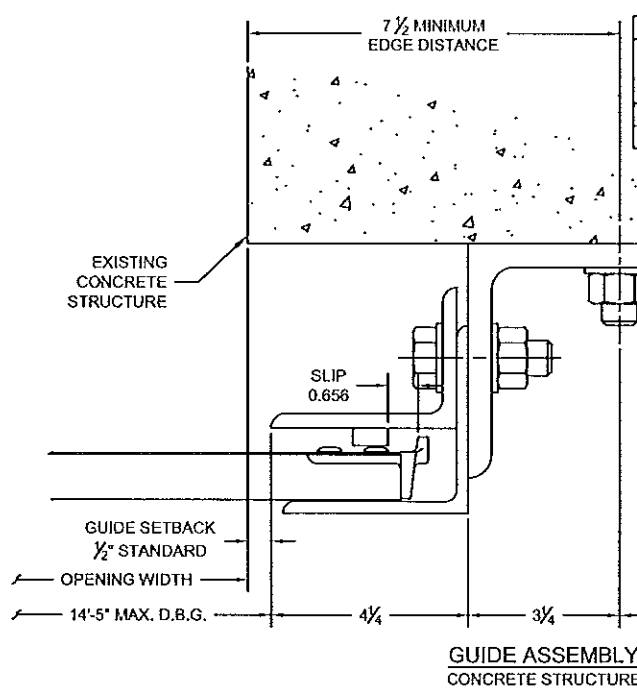
TITLE: DADE COUNTY APPROVED 14'-5" WIDE 120 PSF INSULATED ROLLING STEEL DOOR

SIZE	DRAWN	DWG NO	REV
D	R. MAGGIO	ES16-28-01	C

SCALE: 1:16 & AS NOTED SHEET 1 OF 2

LTR	REVISION	DATE	BY	E.C.O.
1	ORIGINAL ISSUE	05/23/2007	R.M.	****
A	REVISED FOR 2007 FLORIDA BUILDING CODE	12/04/2008	R.M.	****
B	ADDED OPTION BETWEEN JAMBS GUIDE MOUNTING TO STEEL	10/26/2010	R.M.	****
C	ADD SLIP BOLTS, NOTE 11, REVISE NOTE 4, FOR WATT#9	01/04/2013	T.J.E.	1567

CONCRETE STRENGTH (psi)	MAXIMUM FASTENER SPACING (in.)	
	HILTI	SIMPSON
3000	7 1/2	8
4000	11	9 1/2



UNREDUCED WIND FORCES ON BUILDING STRUCTURE (LBS / FOOT OF HEIGHT)																	
Z-GUIDE						E-GUIDE			BETWEEN JAMBS GUIDE								
POSITIVE			NEGATIVE			POSITIVE		NEGATIVE	POSITIVE		NEGATIVE						
F1	F2	F3	F1	F2	F3	F1	F2	F3	F1	F2	F3						
2287	1422	2614	4134	4999	2614	6471	5606	2614	5454	6319	2614	4154	1540	865	15495	12881	865

**BUILDING DESIGNER NOTE:**  
STRUCTURE MUST BE DESIGNED TO SUPPORT F1, F2, AND F3 FORCES (LBS./FT. OF OPENING HEIGHT) AT EACH JAMB.

**PRODUCT REVIEWED**  
as complying with the Florida Building Code  
Acceptance No. 13-0706.15  
Expiration Date 05/10/2017  
By *[Signature]*  
Miami Dade Product Control

**CORNELL** 24 ELMWOOD AVENUE  
CRESTWOOD INDUSTRIAL PARK  
MOUNTAINTOP, PA 18707

TITLE: DADE COUNTY APPROVED  
14'-5" WIDE 120 PSF INSULATED  
ROLLING STEEL DOOR

SIZE: DRAWN BY: R.M. DATE: 05/10/2017  
D R. MAGGIO ES16-28-02 REV C  
SCALE: 1:2 & AS NOTED SHEET 2 OF 2

⑦ MID-HOOD SUPPORT (WHEN REQUIRED)  
"D" SHAPE DEPICTED, SQUARE STYLE ALSO AVAILABLE  
SCALE: NTS

BRACKET MOUNTING / TOP WALL ANGLE FASTENING  
BRACKET MOUNTING PER DETAIL 6 DEPICTED,  
OTHER BRACKET MOUNTINGS ARE AVAILABLE  
SCALE: NTS