

REVISIONS			
REV	DESCRIPTION	DATE	APPROVED
A	REVISED CHARTS	01/19/16	R.L.

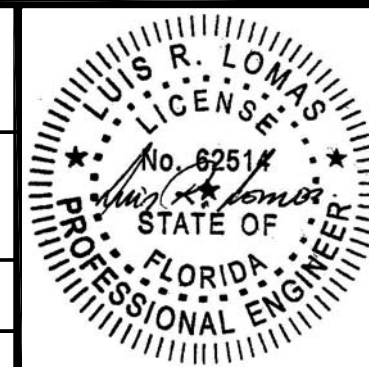
NOTES:

1. THE PRODUCT SHOWN HEREIN IS DESIGNED AND MANUFACTURED TO COMPLY WITH REQUIREMENTS OF THE FLORIDA BUILDING CODE.
2. WOOD FRAMING AND MASONRY OPENING TO BE DESIGNED AND ANCHORED TO PROPERLY TRANSFER ALL LOADS TO STRUCTURE. FRAMING AND MASONRY OPENING IS THE RESPONSIBILITY OF THE ARCHITECT OR ENGINEER OF RECORD.
3. WIND LOAD DURATION FACTOR  $C_d=1.6$  WAS USED FOR WOOD ANCHOR CALCULATIONS.
4. APPROVED IMPACT PROTECTIVE SYSTEM IS NOT REQUIRED FOR THIS PRODUCT IN WIND BORNE DEBRIS REGIONS UP TO WIND ZONE 3.
5. FOR ANCHORING INTO WOOD FRAMING OR 2X BUCK USE #10 WOOD SCREWS WITH SUFFICIENT LENGTH TO ACHIEVE A 1 3/8" MINIMUM EMBEDMENT INTO SUBSTRATE WITH 1/2" MINIMUM EDGE DISTANCE. LOCATE ANCHORS AS SHOWN IN INSTALLATION DETAILS.
6. FOR ANCHORING THROUGH FRAME INTO MASONRY/CONCRETE USE 3/16" TAPCONS WITH SUFFICIENT LENGTH TO ACHIEVE A 1 1/4" MINIMUM EMBEDMENT INTO SUBSTRATE WITH 2 1/2" MINIMUM EDGE DISTANCE. LOCATE ANCHORS AS SHOWN IN ELEVATIONS AND INSTALLATION DETAILS.
7. FOR ANCHORING THROUGH FRAME INTO METAL STRUCTURE USE #10 SMS OR SELF DRILLING SCREWS WITH SUFFICIENT LENGTH TO ACHIEVE 3 THREADS MINIMUM BEYOND STRUCTURE INTERIOR WALL WITH 5/8" MINIMUM EDGE DISTANCE. LOCATE ANCHORS AS SHOWN IN ELEVATIONS AND INSTALLATION DETAILS.
8. ALL FASTENERS TO BE CORROSION RESISTANT.
9. INSTALLATION ANCHORS SHALL BE INSTALLED IN ACCORDANCE WITH ANCHOR MANUFACTURER'S INSTALLATION INSTRUCTIONS AND ANCHORS SHALL NOT BE USED IN SUBSTRATES WITH STRENGTHS LESS THAN THE MINIMUM STRENGTH SPECIFIED BELOW:
  - A. WOOD: MINIMUM SPECIFIC GRAVITY OF  $G=0.42$
  - B. CONCRETE: MINIMUM COMPRESSIVE STRENGTH OF 2,000 PSI.
  - C. MASONRY: HOLLOW/FILLED BLOCK PER ASTM C90 WITH  $f'_m=2,000$ PSI MINIMUM.
  - D. METAL STRUCTURE: STEEL 18GA (.058")  $F_y=33$ KSI/ $F_u=52$ KSI OR ALUMINUM 6063-T5  $F_u=30$ KSI .058" THICK MINIMUM
10. DESIGN PRESSURE AND INSTALLATION DETAILS SHOWN IN THIS DOCUMENT APPLY ONLY TO THE MULLION. WINDOWS MUST BE APPROVED UNDER SEPARATE APPROVAL.
11. SINGLE UNITS TO BE MULLED ARE NOT LIMITED TO THOSE SHOWN IN THIS DRAWING. SINGLE UNITS TO BE MULLED TOGETHER MUST BE MANUFACTURED BY EASTERN ARCHITECTURAL SYSTEMS.
12. DESIGN PRESSURE OF MULLED UNIT SHALL BE CONTROLLED BY THE LESSER DESIGN PRESSURE OF THE MULLION OR THE INDIVIDUAL WINDOW UNIT.

SIGNED: 01/20/2016

TABLE OF CONTENTS	
SHEET NO.	DESCRIPTION
1	NOTES
2	DESIGN PRESSURE CHARTS
3 - 4	INSTALLATION DETAILS AND BILL OF MATERIALS
5	COMPONENTS

EASTERN ARCHITECTURAL SYSTEMS 3600 23RD AVENUE SOUTH LAKE WORTH, FL 33461		
10300085 ALUMINUM X MULLION NON REINFORCED LMI WIND ZONE 3 ELEVATION, NOTES AND DESIGN PRESSURE CHART		
DRAWN: TJH	DWG NO. 08-00807	REV A
SCALE NTS	DATE 07/31/09	SHEET 1 OF 5



REVISIONS			
REV	DESCRIPTION	DATE	APPROVED
A	REVISED CHARTS	01/19/16	R.L.

**Maximum design pressure chart (psf)  
Units with 18" transom**

Height (in)		Tributary width (in)						
Window	Transom	24.00	30.00	36.00	42.00	48.00	54.00	60.00
24.00	18.00	150.0	150.0	142.4	126.1	113.3	102.8	94.0
30.00	18.00	150.0	136.1	119.4	106.3	95.8	87.2	80.0
36.00	18.00	137.3	115.7	100.6	89.6	80.8	73.5	67.4
42.00	18.00	109.0	90.8	78.8	70.4	64.0	58.6	54.1
48.00	18.00	84.5	70.2	60.9	54.3	49.6	45.9	42.7
54.00	18.00	63.4	52.6	45.5	40.6	37.0	34.3	32.2
60.00	18.00	48.7	40.4	34.9	31.0	28.2	26.1	24.6
66.00	18.00	38.2	31.6	27.2	24.2	22.0	20.3	19.0
72.00	18.00	30.4	25.1	21.6	19.2	17.4	16.0	-

**IMPACT RATED UP TO WIND ZONE 3**

**Maximum design pressure chart (psf)  
Units with 24" transom**

Height (in)		Tributary width (in)						
Window	Transom	24.00	30.00	36.00	42.00	48.00	54.00	60.00
24.00	24.00	150.0	138.5	121.2	107.8	97.0	88.2	80.8
30.00	24.00	138.5	118.2	101.9	89.5	79.8	72.0	65.6
36.00	24.00	112.2	93.2	80.5	71.2	63.8	57.8	52.8
42.00	24.00	88.0	72.5	62.3	55.1	49.5	45.0	41.3
48.00	24.00	66.3	54.6	46.9	41.4	37.4	34.2	31.5
54.00	24.00	51.1	42.0	36.0	31.8	28.7	26.4	24.4
60.00	24.00	40.1	32.9	28.2	24.9	22.5	20.6	19.2
66.00	24.00	32.0	26.2	22.5	19.8	17.9	16.4	15.2
72.00	24.00	25.9	21.2	18.2	16.0	-	-	-

**IMPACT RATED UP TO WIND ZONE 3**

**Maximum design pressure chart (psf)  
Units with 30" transom**

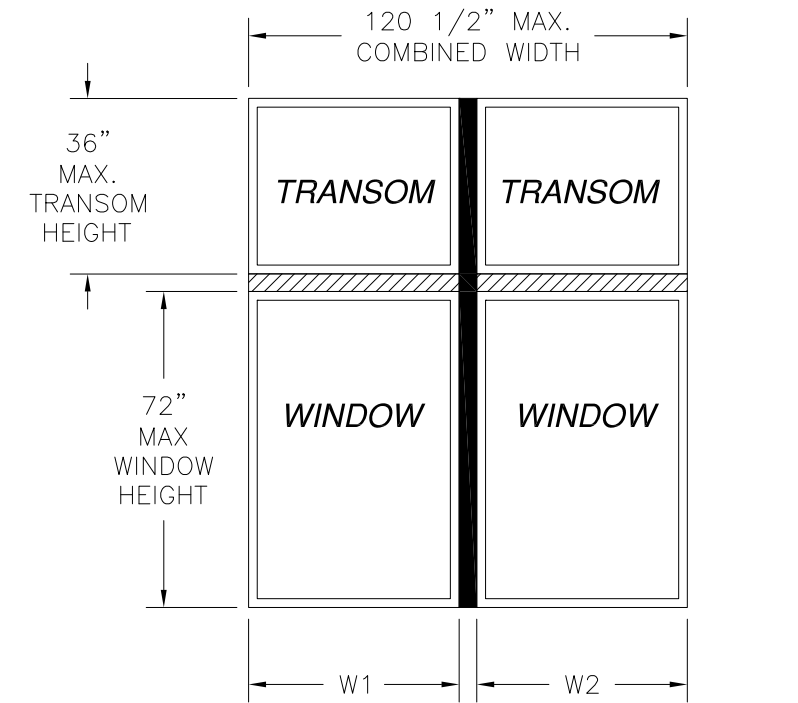
Height (in)		Tributary width (in)						
Window	Transom	24.00	30.00	36.00	42.00	48.00	54.00	60.00
24.00	30.00	138.5	118.2	101.9	89.5	79.8	72.0	65.6
30.00	30.00	113.2	94.2	81.2	71.4	63.6	57.4	52.3
36.00	30.00	89.8	73.8	63.2	55.4	49.3	44.4	40.4
42.00	30.00	68.1	55.9	47.8	42.0	37.5	34.0	31.0
48.00	30.00	52.7	43.2	36.9	32.4	29.1	26.4	24.2
54.00	30.00	41.5	34.0	29.0	25.5	22.8	20.8	19.2
60.00	30.00	33.2	27.2	23.2	20.3	18.2	16.6	15.3
66.00	30.00	26.9	22.0	18.8	16.5	-	-	-
72.00	30.00	22.1	18.0	15.4	-	-	-	-

**IMPACT RATED UP TO WIND ZONE 3**

**Maximum design pressure chart (psf)  
Units with 36" transom**

Height (in)		Tributary width (in)						
Window	Transom	24.00	30.00	36.00	42.00	48.00	54.00	60.00
24.00	36.00	112.2	93.2	80.5	71.2	63.8	57.8	52.8
30.00	36.00	89.5	73.7	63.1	55.3	49.2	44.4	40.4
36.00	36.00	68.6	56.3	48.1	42.2	37.5	33.8	30.8
42.00	36.00	53.5	43.8	37.4	32.8	29.2	26.4	24.0
48.00	36.00	42.4	34.6	29.5	25.8	23.1	20.9	19.1
54.00	36.00	34.0	27.8	23.7	20.7	18.5	16.8	15.4
60.00	36.00	27.7	22.6	19.2	16.8	-	-	-
66.00	36.00	22.8	18.6	15.8	-	-	-	-
72.00	36.00	18.9	15.4	-	-	-	-	-

**IMPACT RATED UP TO WIND ZONE 3**



**10300085 ALUMINUM X MULLION  
NON REINFORCED LMI WIND ZONE 3**

$$\text{TRIBUTARY WIDTH} = \frac{W1 + W2}{2}$$

**DESIGN PRESSURE TABLE INSTRUCTIONS:**

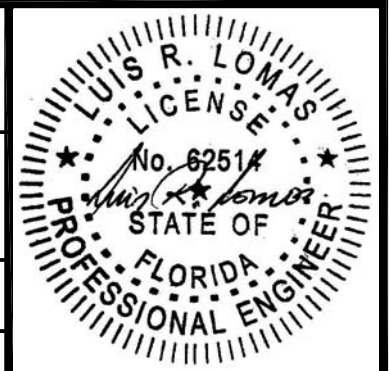
- 1) DEFINE REQUIRED DESIGN LOAD PER FLORIDA BUILDING CODE CHAPTER 16.
- 2) DETERMINE TRIBUTARY WIDTH AND MULLION SPAN BASED ON PRODUCT TO BE INSTALLED. SEE FORMULA FOR TRIBUTARY WIDTH.
- 3) LOCATE MULLION SPAN (UNIT HEIGHT) AND TRIBUTARY WIDTH. AT THE INTERSECTION OF ROW AND COLUMN CONTAINING THE MULLION SPAN AND TRIBUTARY WIDTH RESPECTIVELY IS THE MULLION RATING FOR PRODUCT IN STEP 2. MULLION RATING MUST BE EQUAL OR GREATER THAN REQUIRED DESIGN PRESSURE OBTAINED IN STEP 1.

**SIGNED: 01/20/2016**

**EASTERN ARCHITECTURAL SYSTEMS**  
3600 23RD AVENUE SOUTH  
LAKE WORTH, FL 33461

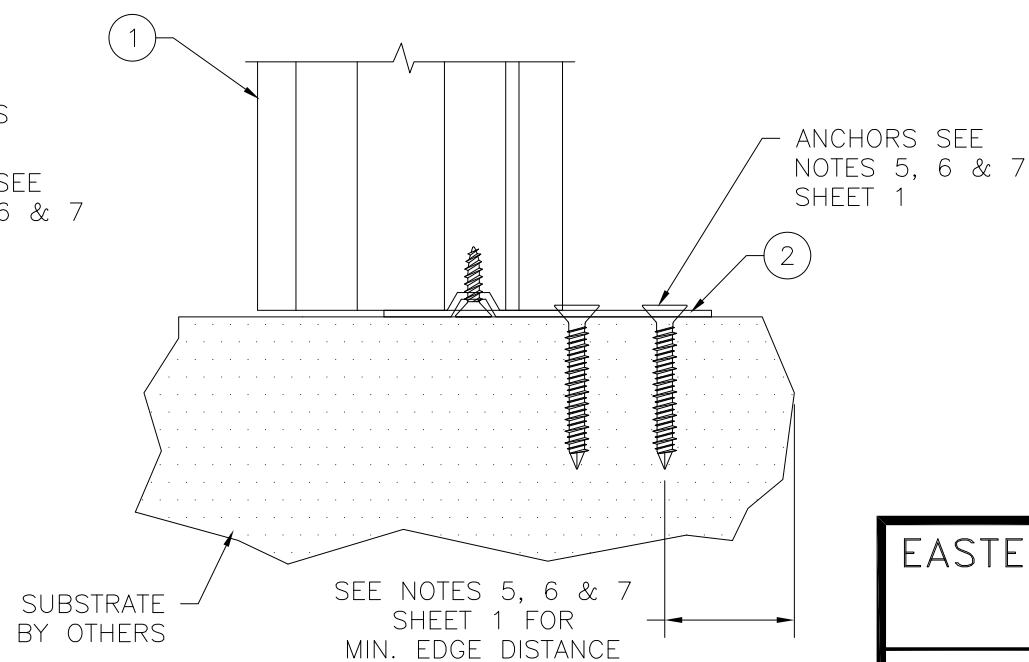
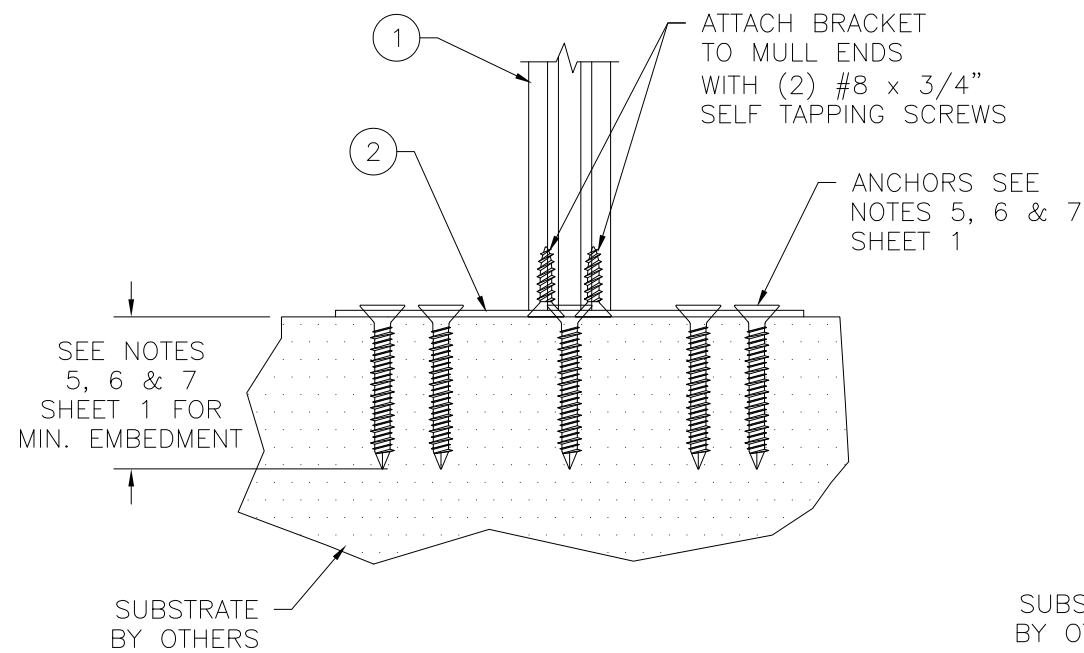
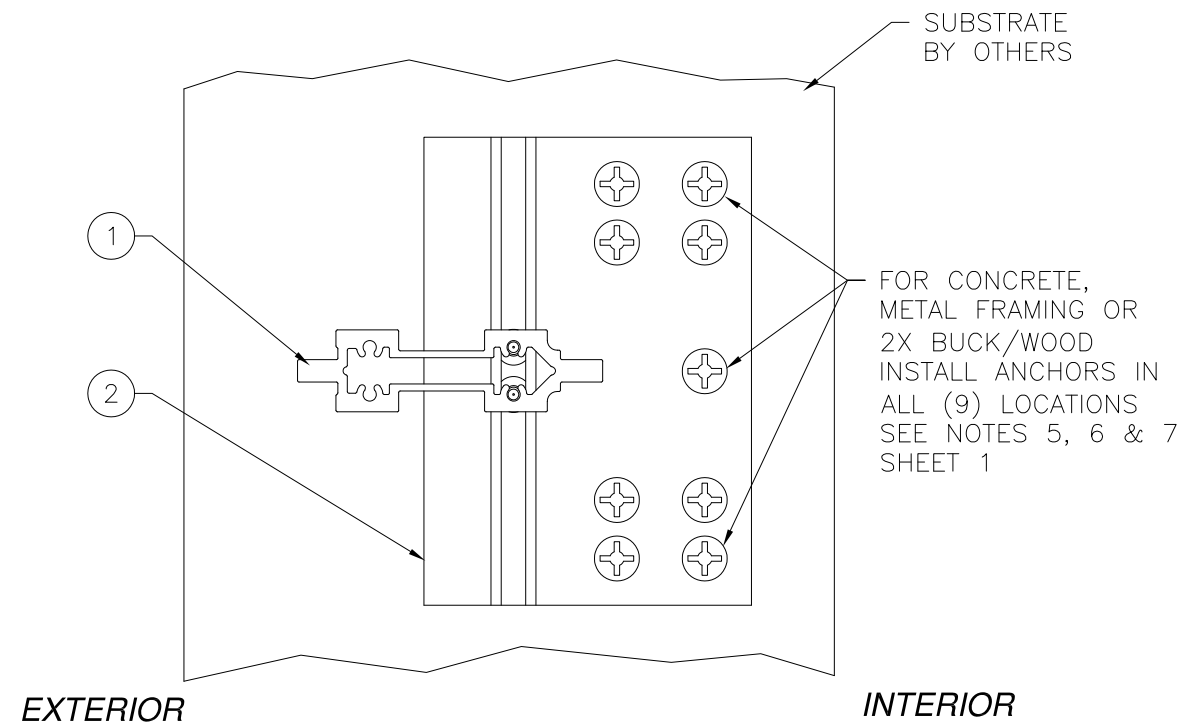
10300085 ALUMINUM X MULLION  
NON REINFORCED LMI WIND ZONE 3  
ELEVATION, NOTES AND DESIGN PRESSURE CHART

DRAWN: TJH	DWG NO. 08-00807	REV A
SCALE NTS	DATE 07/31/09	SHEET 2 OF 5



PARTS LIST				
NO.	PART NUMBER	DESCRIPTION	MANUFACTURER	MATERIAL
1	10300085	ALUMINUM VERTICAL MULLION	DECEUNINCK	ALUMINUM 6005-T5
2	10203000	15GA. STEEL MULLION BRACKET	DECEUNINCK	GALVANIZED STEEL
3	10300093	MULL CLIP	DECEUNINCK	ALUMINUM 6005-T5

REVISIONS			
REV	DESCRIPTION	DATE	APPROVED
A	REVISED CHARTS	01/19/16	R.L.



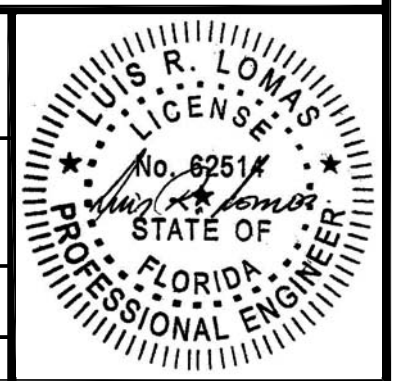
**STEEL MULLION BRACKET 10203000**  
**INSTALLATION DETAILS**  
 SILL, HEAD AND JAMBS TYP.

**EASTERN ARCHITECTURAL SYSTEMS**  
 3600 23RD AVENUE SOUTH  
 LAKE WORTH, FL 33461

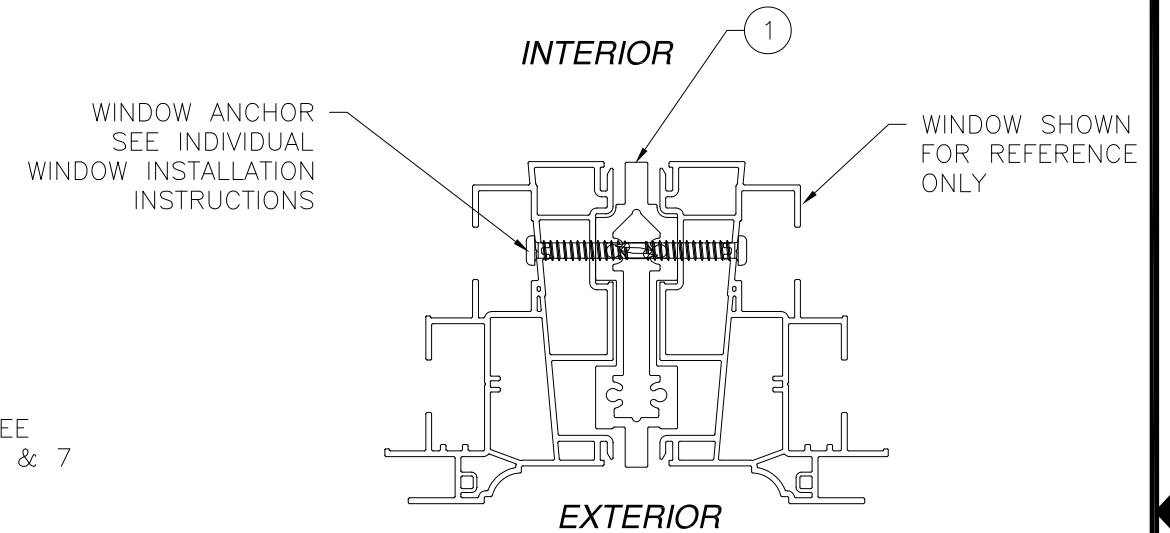
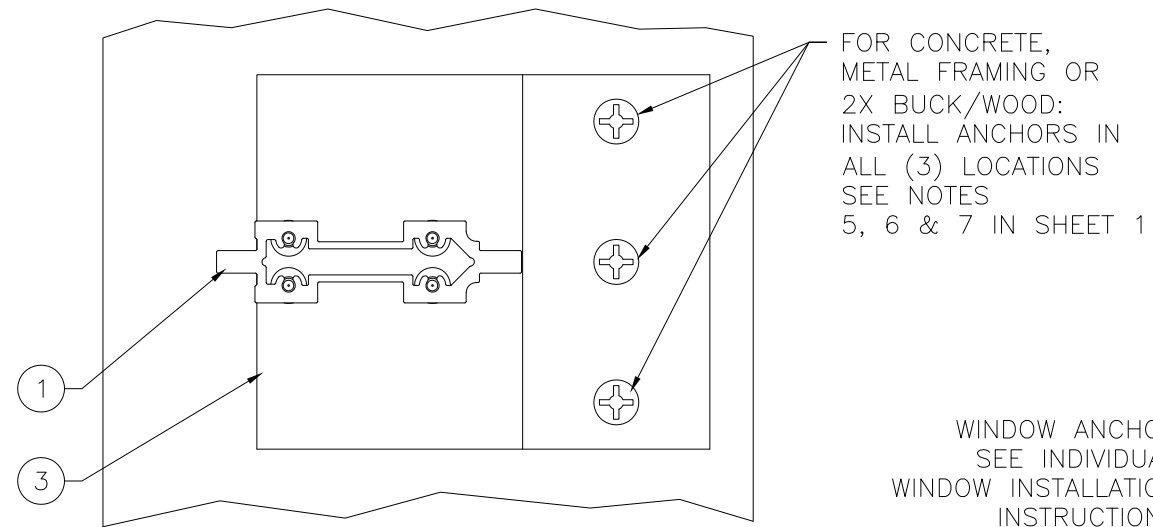
10300085 ALUMINUM X MULLION  
 NON REINFORCED LMI WIND ZONE 3  
 INSTALLATION DETAILS AND BILL OF MATERIALS

DRAWN: TJH	DWG NO. 08-00807	REV A
SCALE NTS	DATE 07/31/09	SHEET 3 OF 5

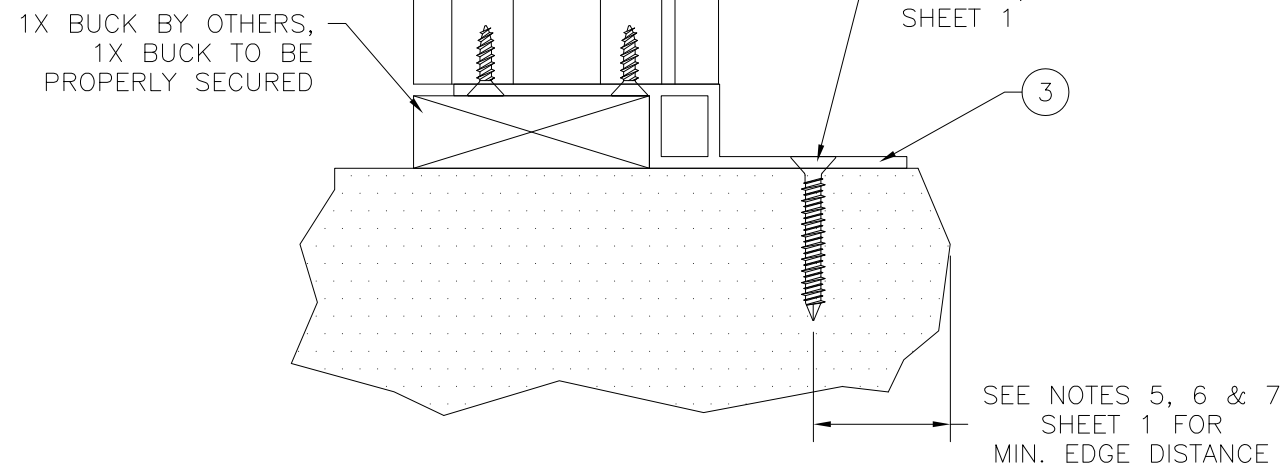
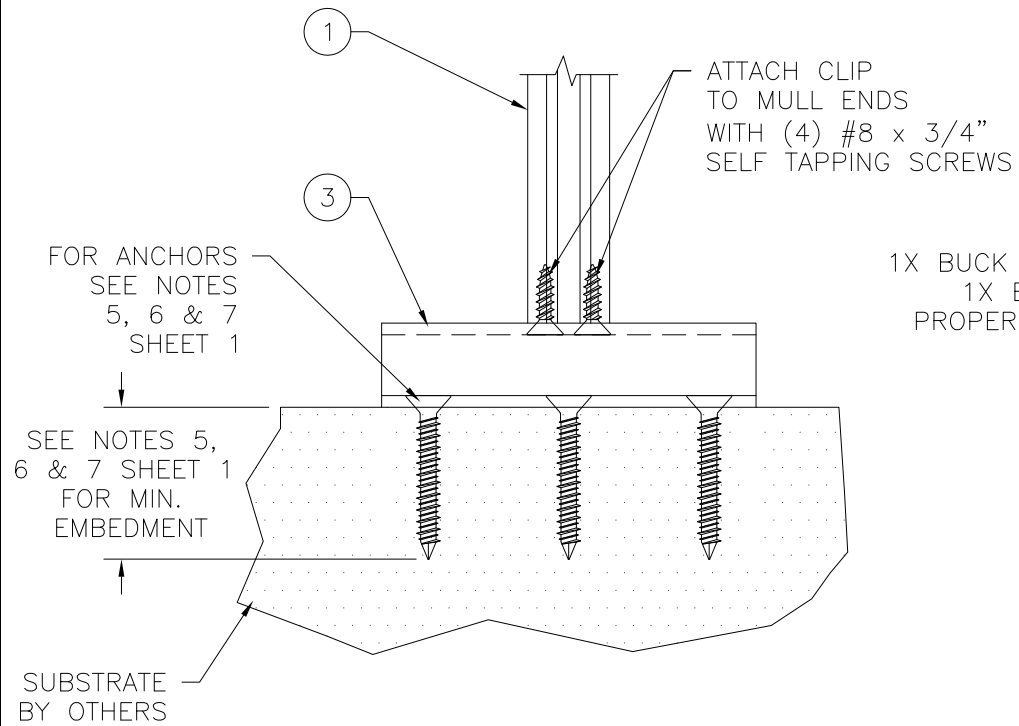
SIGNED: 01/20/2016



REVISIONS			
REV	DESCRIPTION	DATE	APPROVED
A	REVISED CHARTS	01/19/16	R.L.



**WINDOW TO MULLION INSTALLATION DETAIL**



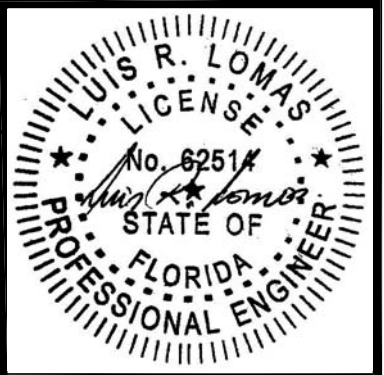
**MULL CLIP 10300093  
INSTALLATION DETAILS  
SILL, HEAD AND JAMBS TYP.**

SIGNED: 01/20/2016

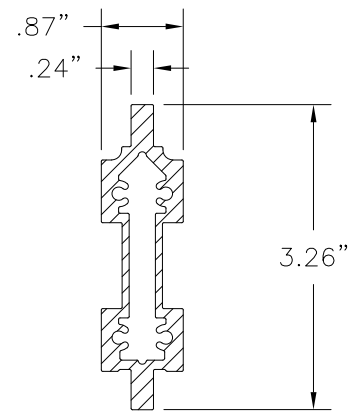
**EASTERN ARCHITECTURAL SYSTEMS**  
3600 23RD AVENUE SOUTH  
LAKE WORTH, FL 33461

10300085 ALUMINUM X MULLION  
NON REINFORCED LMI WIND ZONE 3  
INSTALLATION DETAILS

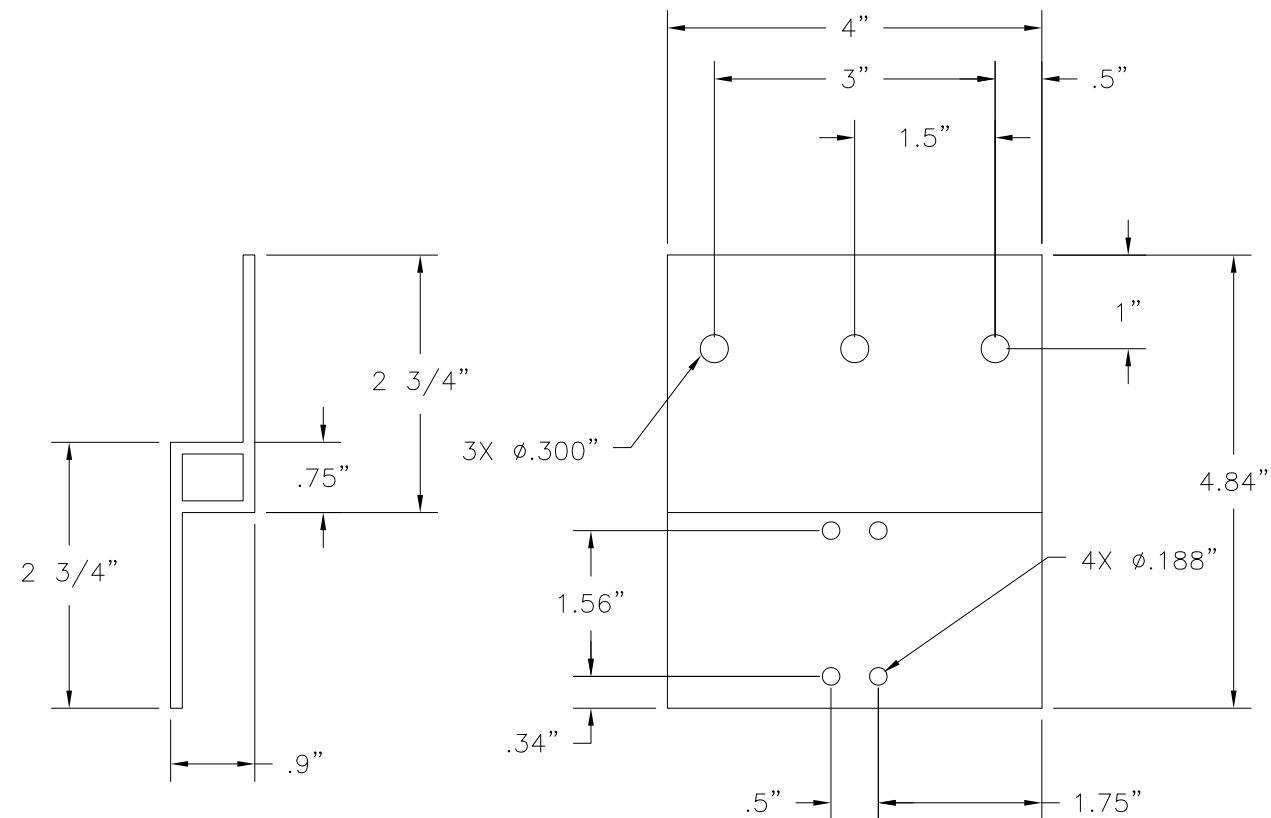
DRAWN: TJH	DWG NO. 08-00807	REV A
SCALE NTS	DATE 07/31/09	SHEET 4 OF 5



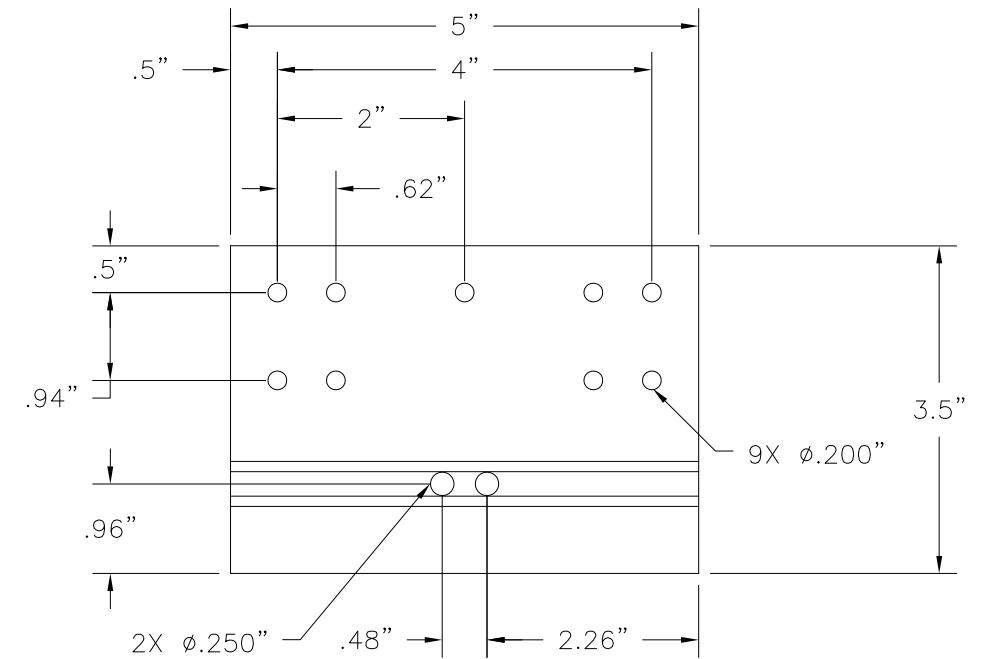
REVISIONS			
REV	DESCRIPTION	DATE	APPROVED
A	REVISED CHARTS	01/19/16	R.L.



① **10300085 ALUMINUM VERTICAL MULLION**  
ALUMINUM 6005-T5 .075" THICK MINIMUM



③ **MULL CLIP**  
ALUMINUM 6005-T5 .125" THICK



② **STEEL MULLION BRACKET**  
15GA. GALVANIZED STEEL

SIGNED: 01/20/2016

EASTERN ARCHITECTURAL SYSTEMS 3600 23RD AVENUE SOUTH LAKE WORTH, FL 33461		
10300085 ALUMINUM X MULLION NON REINFORCED LMI WIND ZONE 3 COMPONENTS		
DRAWN: TJH	DWG NO. 08-00807	REV A
SCALE NTS	DATE 07/31/09	SHEET 5 OF 5

