


REVISIONS			
REV	DESCRIPTION	DATE	APPROVED

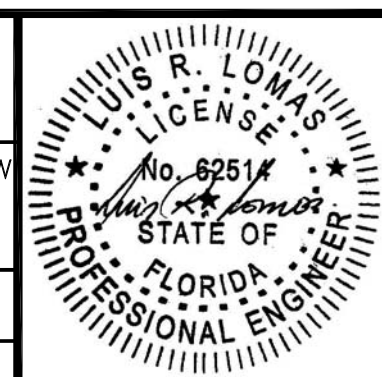
NOTES:

1. THE PRODUCT SHOWN HEREIN IS DESIGNED AND MANUFACTURED TO COMPLY WITH REQUIREMENTS OF THE FLORIDA BUILDING CODE.
2. WOOD FRAMING AND MASONRY OPENING TO BE DESIGNED AND ANCHORED TO PROPERLY TRANSFER ALL LOADS TO STRUCTURE. FRAMING AND MASONRY OPENING IS THE RESPONSIBILITY OF THE ARCHITECT OR ENGINEER OF RECORD.
3. 1X BUCK OVER MASONRY/CONCRETE IS OPTIONAL.
4. WHERE SHIM OR BUCK THICKNESS IS LESS THAN 1-1/2" WINDOW UNITS MUST BE ANCHORED THROUGH THE FRAME IN ACCORDANCE WITH MANUFACTURER'S PUBLISHED INSTALLATION INSTRUCTIONS. ANCHORS SHALL BE SECURELY FASTENED DIRECTLY INTO MASONRY, CONCRETE OR OTHER STRUCTURAL SUBSTRATE MATERIAL.
5. WHERE WOOD BUCK THICKNESS IS 1-1/2" OR GREATER, BUCK SHALL BE SECURELY FASTENED TO MASONRY, CONCRETE OR OTHER STRUCTURAL SUBSTRATE. WINDOW UNITS MAY BE ANCHORED THROUGH FRAME TO SECURED WOOD BUCK IN ACCORDANCE WITH MANUFACTURER'S PUBLISHED INSTALLATION INSTRUCTIONS.
6. WHERE 1X BUCK IS NOT USED DISSIMILAR MATERIALS MUST BE SEPARATED WITH APPROVED COATING OR MEMBRANE. SELECTION OF COATING OR MEMBRANE IS THE RESPONSIBILITY OF THE ARCHITECT OR ENGINEER OF RECORD.
7. BUCKS SHALL EXTEND BEYOND WINDOW INTERIOR FACE SO THAT FULL FRAME SUPPORT IS PROVIDED.
8. SHIM AS REQUIRED AT EACH ANCHOR LOCATION WITH LOAD BEARING SHIM. SHIM WHERE SPACE OF 1/16" OR GREATER OCCURS. MAXIMUM ALLOWABLE SHIM STACK TO BE 1/4".
9. SHIMS SHALL BE LOCATED, APPLIED AND MADE FROM MATERIALS AND THICKNESS CAPABLE OF SUSTAINING APPLICABLE LOADS.
10. WIND LOAD DURATION FACTOR Cd=1.6 WAS USED FOR WOOD ANCHOR CALCULATIONS.
11. FRAME MATERIAL: EXTRUDED ALUMINUM 6063-T5.
12. UNITS MUST BE GLAZED PER ASTM E1300-04.
13. APPROVED IMPACT PROTECTIVE SYSTEM IS REQUIRED FOR THIS PRODUCT IN WIND BORNE DEBRIS REGIONS.
14. FOR ANCHORING THROUGH FRAME INTO WOOD FRAMING OR 2X BUCK USE #10 WOOD SCREWS WITH SUFFICIENT LENGTH TO ACHIEVE A 1 1/4" MINIMUM EMBEDMENT INTO SUBSTRATE. LOCATE ANCHORS AS SHOWN IN ELEVATIONS AND INSTALLATION DETAILS.
15. FOR ANCHORING THROUGH FRAME INTO MASONRY/CONCRETE USE 3/16" TAPCONS WITH SUFFICIENT LENGTH TO ACHIEVE A 1 1/4" MINIMUM EMBEDMENT INTO SUBSTRATE WITH 2 1/2" MINIMUM EDGE DISTANCE. LOCATE ANCHORS AS SHOWN IN ELEVATIONS AND INSTALLATION DETAILS.
16. FOR ANCHORING THROUGH FRAME INTO METAL STRUCTURE USE #10 SMS OR SELF DRILLING SCREWS WITH SUFFICIENT LENGTH TO ACHIEVE 3 THREADS MINIMUM BEYOND STRUCTURE INTERIOR WALL. LOCATE ANCHORS AS SHOWN IN ELEVATIONS AND INSTALLATION DETAILS.
17. ALL FASTENERS TO BE CORROSION RESISTANT.
18. INSTALLATION ANCHORS SHALL BE INSTALLED IN ACCORDANCE WITH ANCHOR MANUFACTURER'S INSTALLATION INSTRUCTIONS AND ANCHORS SHALL NOT BE USED IN SUBSTRATES WITH STRENGTHS LESS THAN THE MINIMUM STRENGTH SPECIFIED BELOW:
 - A. WOOD - MINIMUM SPECIFIC GRAVITY OF G=0.42
 - B. CONCRETE - MINIMUM COMPRESSIVE STRENGTH OF 3,192 PSI.
 - C. MASONRY - STRENGTH CONFORMANCE TO ASTM C-90, GRADE N, TYPE 1 (OR GREATER).
 - D. METAL STRUCTURE: STEEL 18GA, 33KSI OR ALUMINUM 6063-T5 1/8" THICK MINIMUM
19. APPROVED CONFIGURATIONS: OX, XO, AND XOX.

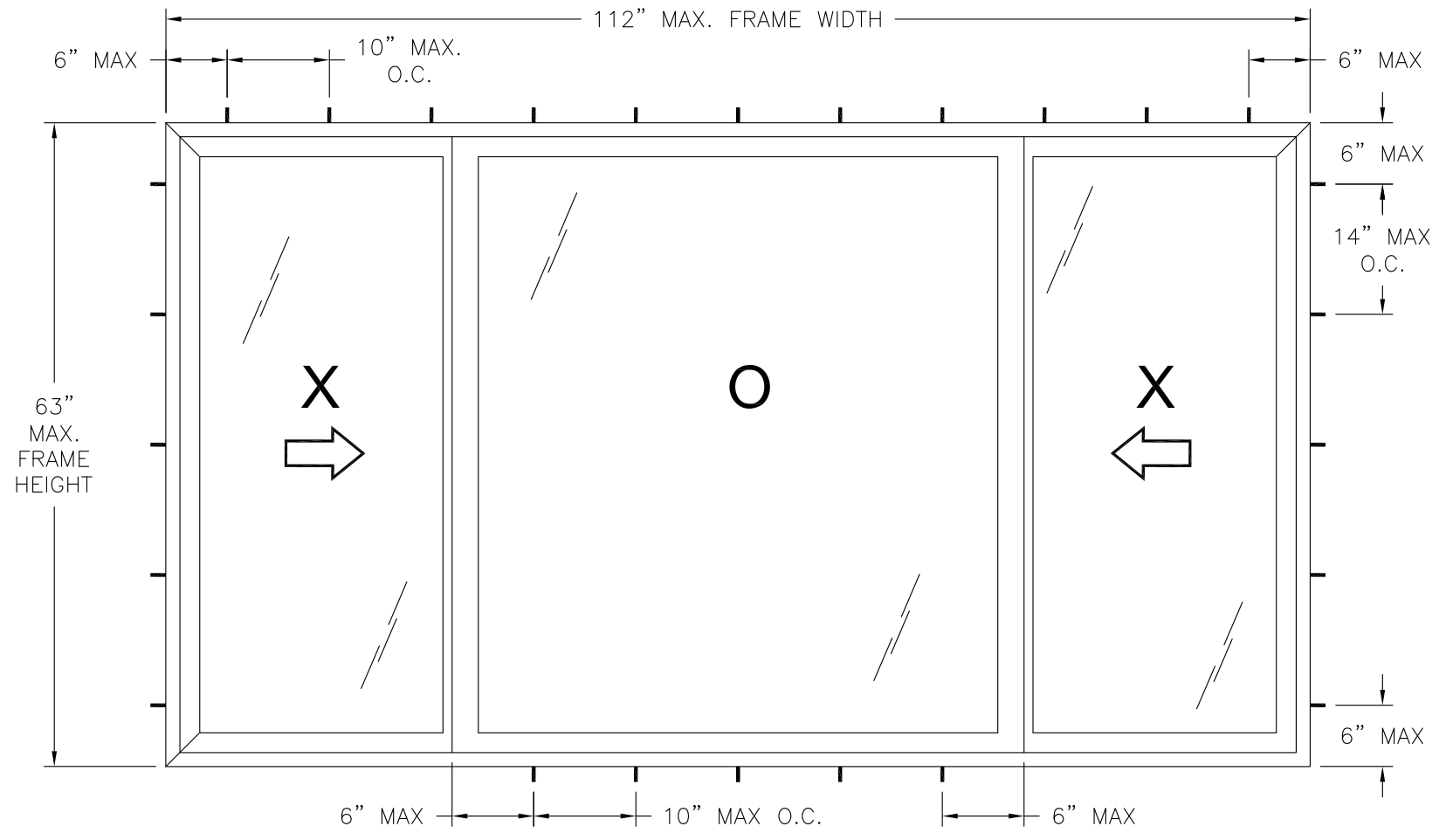
SIGNED: 04/15/2015

TABLE OF CONTENTS	
SHEET NO.	DESCRIPTION
1	NOTES
2	ELEVATION & GLAZING DETAIL
3 - 5	INSTALLATION DETAILS

		EASTERN ARCHITECTURAL SYSTEMS A DIVISION OF EASTERN METAL SUPPLY 16341 DOMESTIC AVE FORT MYERS, FL 33912 800-432-2204	
SERIES 1000 ALUMINUM HORIZONTAL SLIDING WINDOW NON-IMPACT 112" X 63" NOTES			
DRAWN: V.L.		DWG NO. 08-02692	
SCALE NTS		DATE 04/13/15	REV -
		SHEET 1 OF 5	



REVISIONS			
REV	DESCRIPTION	DATE	APPROVED



SERIES FWI 1000 ALUMINUM HORIZONTAL SLIDING WINDOW
EXTERIOR VIEW

DESIGN PRESSURE RATING	IMPACT RATING
±35.0PSF	NONE


NOTES:

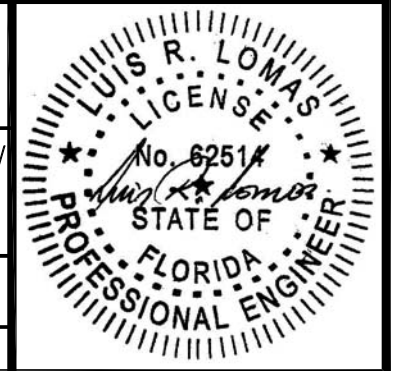
- SASH SIZE: 28" X 60 1/4"
- MAXIMUM D.L.O.: 52 5/8" X 59 3/8"
- (4) 1 5/8" X 9/16" WEEPHOLES AT EXTERIOR FRAME SILL 3 1/2" AND 29" FROM EACH END.
- (4) 1 1/2" X 9/16" WEEPHOLES AT INTERMEDIATE FRAME SILL 3 1/2" AND 29" FROM EACH END.

HARDWARE SCHEDULE

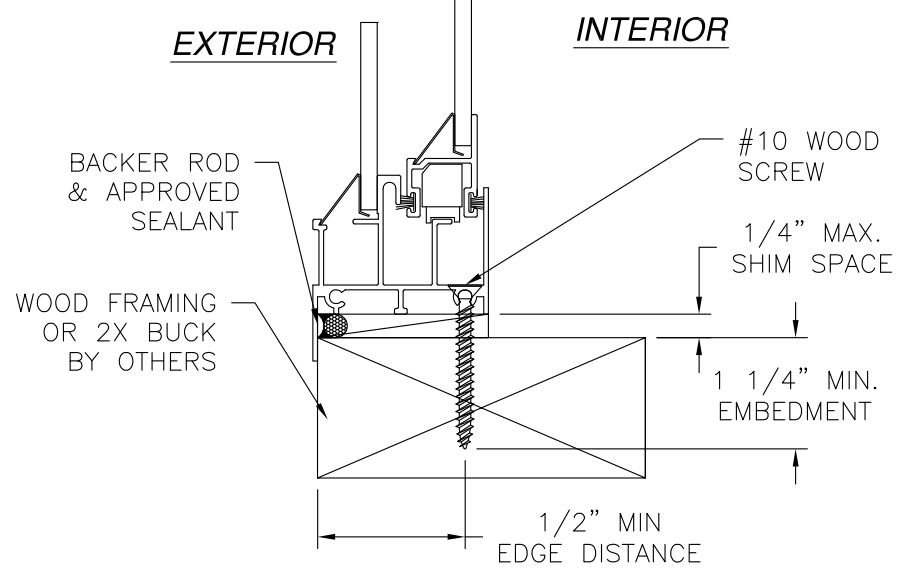
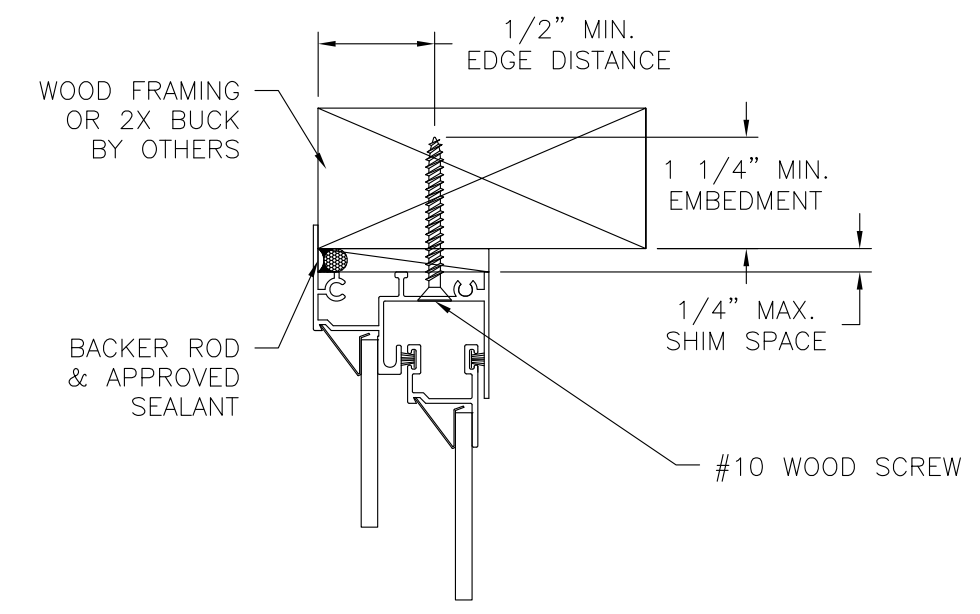
A.	(2) SURFACE MOUNT METAL CAM LOCK AT 16 1/4" FROM EACH END
B.	(2) METALIC ROLLER INSIDE A NYLON HOUSING ONE AT EACH END OF VENT BOTTOM RAIL

SIGNED: 04/15/2015

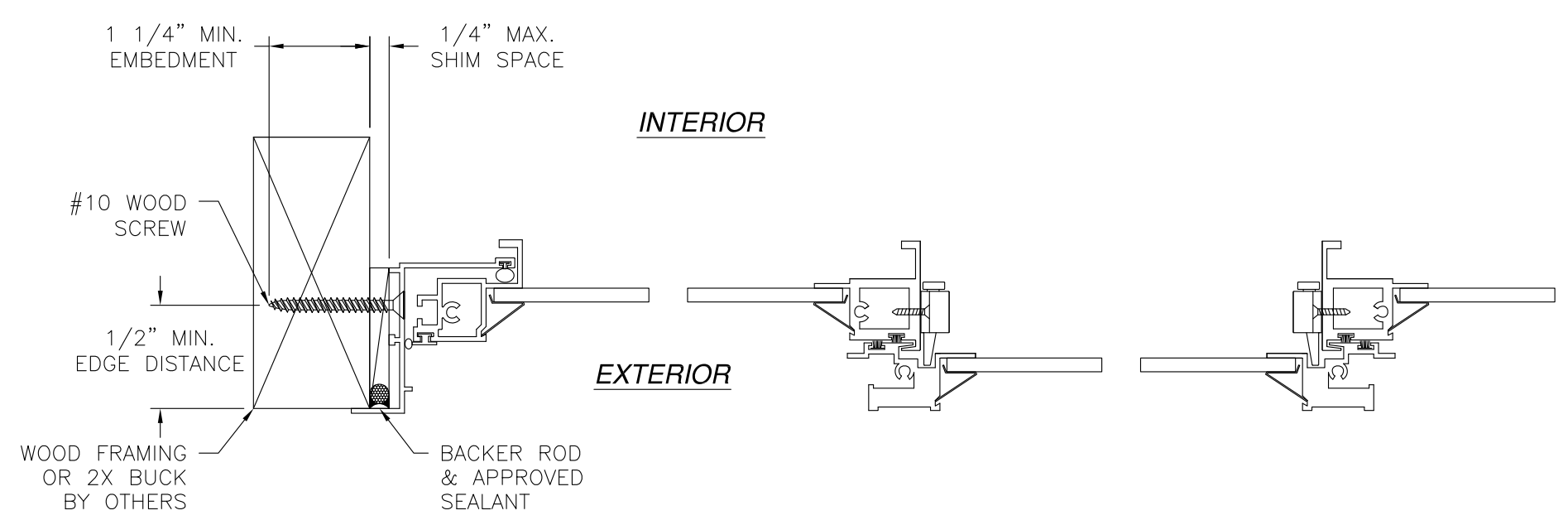
	EASTERN ARCHITECTURAL SYSTEMS A DIVISION OF EASTERN METAL SUPPLY 16341 DOMESTIC AVE FORT MYERS, FL 33912 800-432-2204	
	SERIES 1000 ALUMINUM HORIZONTAL SLIDING WINDOW NON-IMPACT 112" X 63" ELEVATION & GLAZING DETAIL	
DRAWN: V.L.	DWG NO. 08-02692	REV -
SCALE NTS	DATE 04/13/15	SHEET 2 OF 5



REVISIONS			
REV	DESCRIPTION	DATE	APPROVED




VERTICAL CROSS SECTION
WOOD FRAMING OR 2X BUCK INSTALLATION

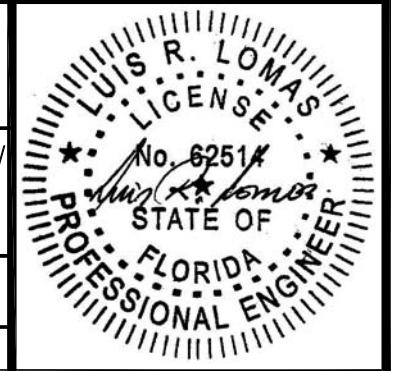


JAMB INSTALLATION DETAIL
WOOD FRAMING OR 2X BUCK INSTALLATION

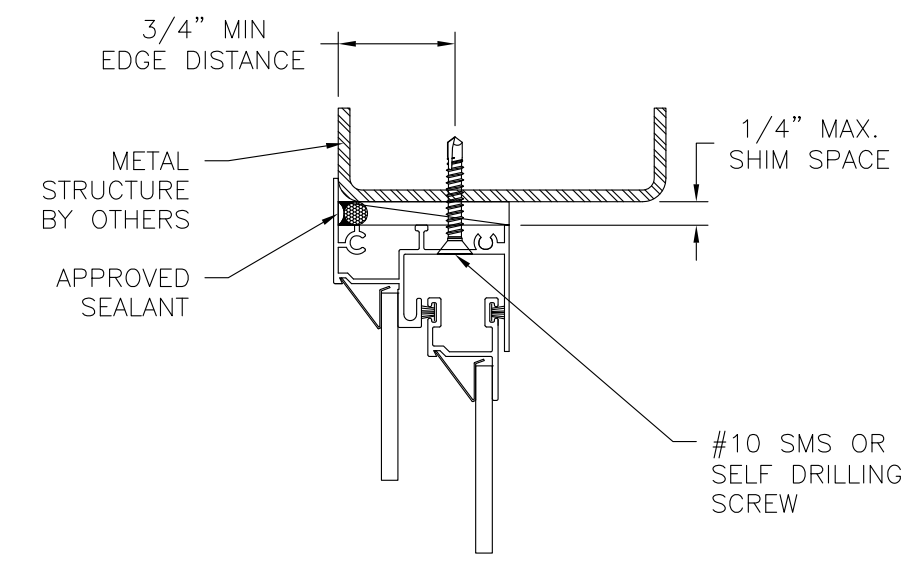
NOTES:
1. INTERIOR AND EXTERIOR FINISHES, BY OTHERS, NOT SHOWN FOR CLARITY.
2. PERIMETER AND JOINT SEALANT BY OTHERS TO BE DESIGNED IN ACCORDANCE WITH ASTM E2112

SIGNED: 04/15/2015

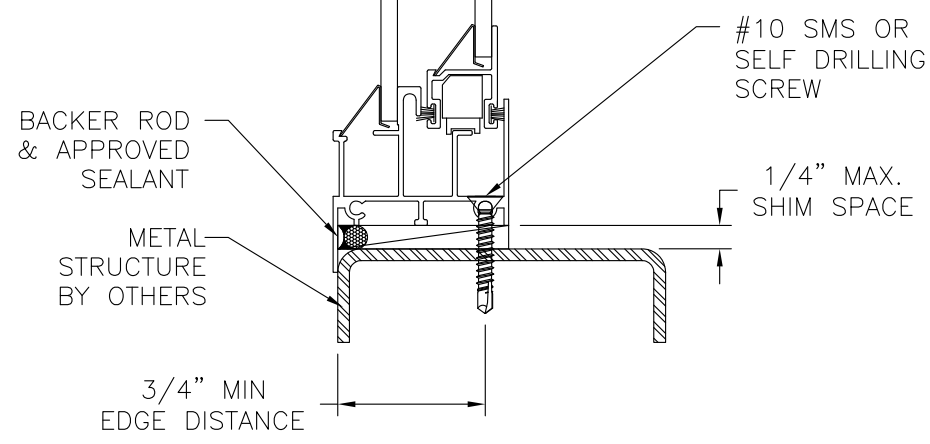
 Eastern ARCHITECTURAL SYSTEMS ALUMINUM AND VINYL IMPACT WINDOWS AND DOORS	EASTERN ARCHITECTURAL SYSTEMS A DIVISION OF EASTERN METAL SUPPLY 16341 DOMESTIC AVE FORT MYERS, FL 33912 800-432-2204	
	SERIES 1000 ALUMINUM HORIZONTAL SLIDING WINDOW NON-IMPACT 112" X 63" INSTALLATION DETAILS	
DRAWN: V.L.	DWG NO. 08-02692	REV -
SCALE NTS	DATE 04/13/15	SHEET 3 OF 5



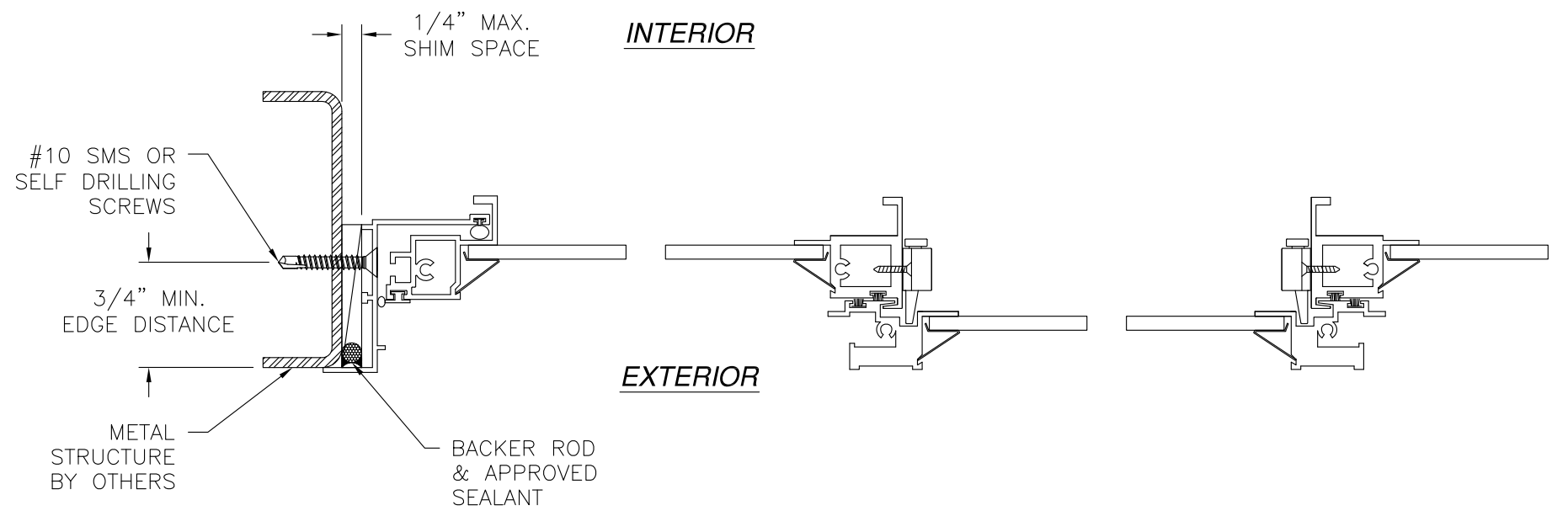
REVISIONS			
REV	DESCRIPTION	DATE	APPROVED



EXTERIOR **INTERIOR**




VERTICAL CROSS SECTION
METAL STRUCTURE INSTALLATION



JAMB INSTALLATION DETAIL
METAL STRUCTURE INSTALLATION

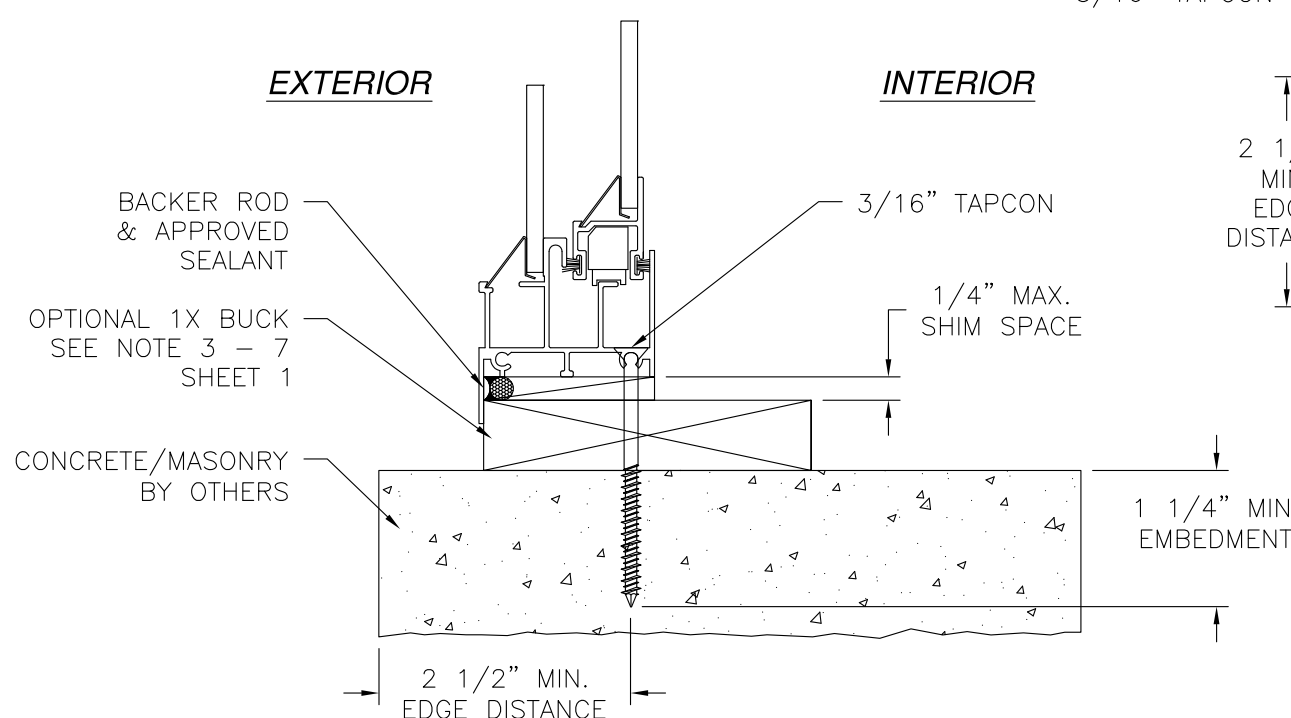
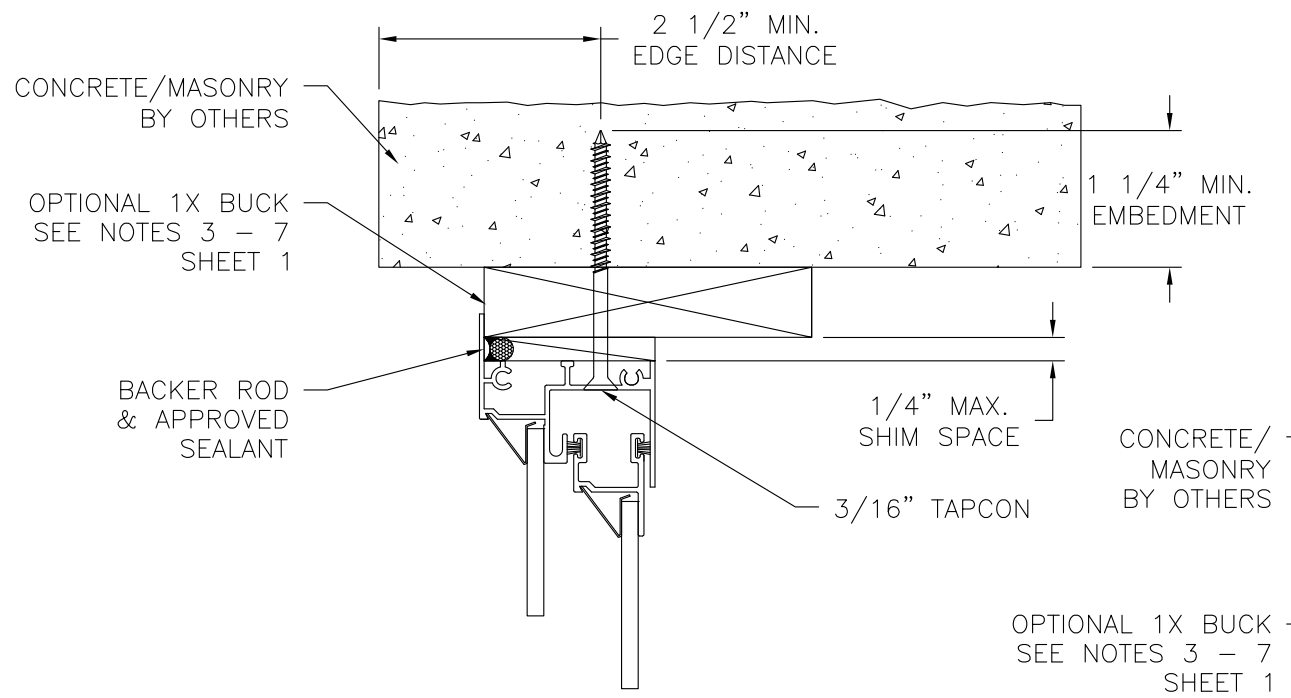
NOTES:
 1. INTERIOR AND EXTERIOR FINISHES, BY OTHERS, NOT SHOWN FOR CLARITY.
 2. PERIMETER AND JOINT SEALANT BY OTHERS TO BE DESIGNED IN ACCORDANCE WITH ASTM E2112

SIGNED: 04/15/2015

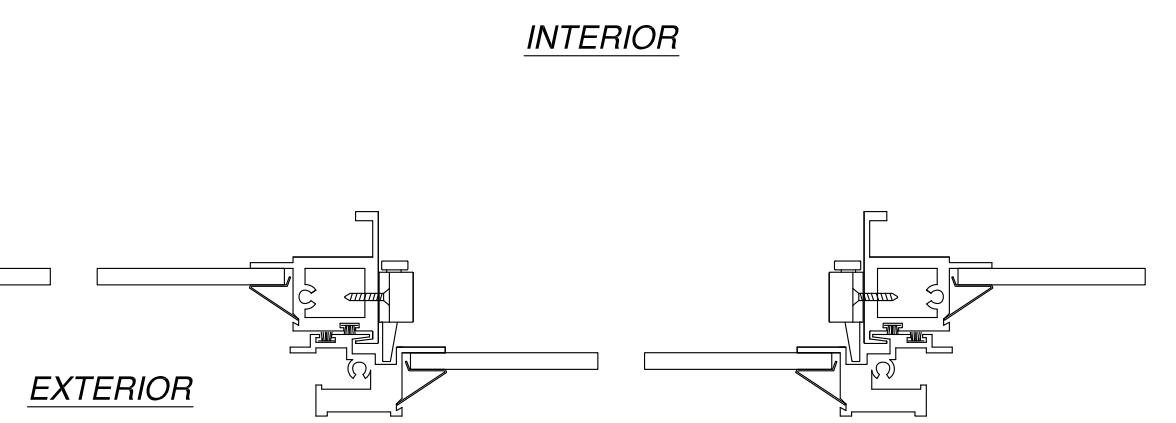
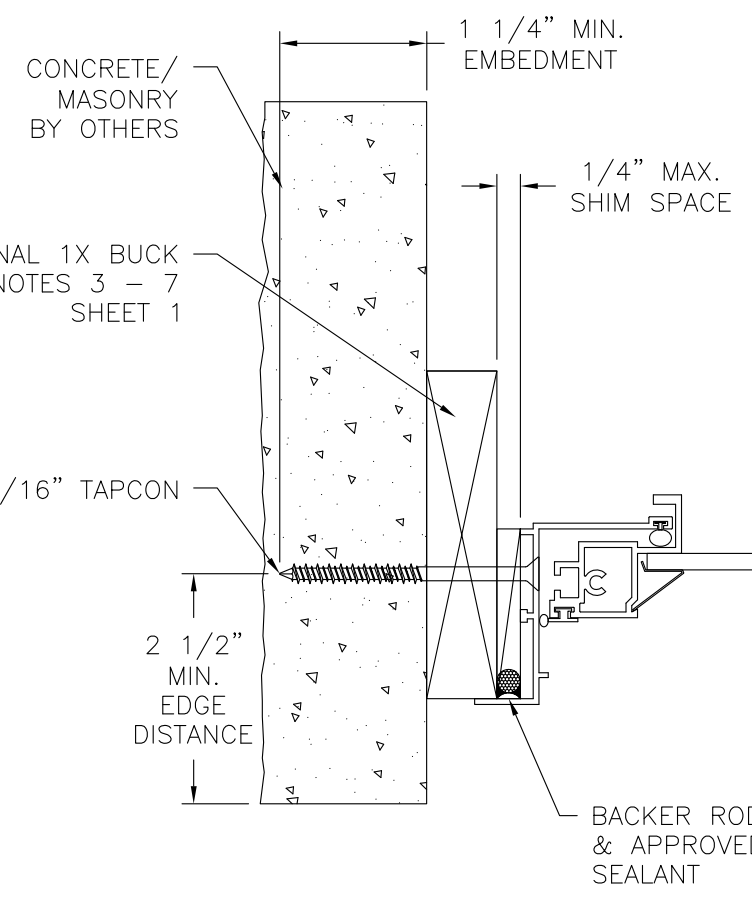
 Eastern ARCHITECTURAL SYSTEMS ALUMINUM AND VINYL IMPACT WINDOWS AND DOORS	EASTERN ARCHITECTURAL SYSTEMS A DIVISION OF EASTERN METAL SUPPLY 16341 DOMESTIC AVE FORT MYERS, FL 33912 800-432-2204	
	SERIES 1000 ALUMINUM HORIZONTAL SLIDING WINDOW NON-IMPACT 112" X 63" INSTALLATION DETAILS	
DRAWN: V.L.	DWG NO. 08-02692	REV -
SCALE NTS	DATE 04/13/15	SHEET 4 OF 5



REVISIONS			
REV	DESCRIPTION	DATE	APPROVED



**VERTICAL CROSS SECTION
CONCRETE/MASONRY INSTALLATION**



**JAMB INSTALLATION DETAIL
CONCRETE/MASONRY INSTALLATION**

- NOTES:**
1. INTERIOR AND EXTERIOR FINISHES, BY OTHERS, NOT SHOWN FOR CLARITY.
 2. PERIMETER AND JOINT SEALANT BY OTHERS TO BE DESIGNED IN ACCORDANCE WITH ASTM E2112

SIGNED: 04/15/2015

		EASTERN ARCHITECTURAL SYSTEMS A DIVISION OF EASTERN METAL SUPPLY 16341 DOMESTIC AVE FORT MYERS, FL 33912 800-432-2204
SERIES 1000 ALUMINUM HORIZONTAL SLIDING WINDOW NON-IMPACT 112" X 63" INSTALLATION DETAILS		
DRAWN: V.L.	DWG NO. 08-02692	REV -
SCALE NTS	DATE 04/13/15	SHEET 5 OF 5

