

REVISIONS			
REV	DESCRIPTION	DATE	APPROVED
A	REVISED PER NEW REQUIREMENTS	01/05/18	R.L.


NOTES:

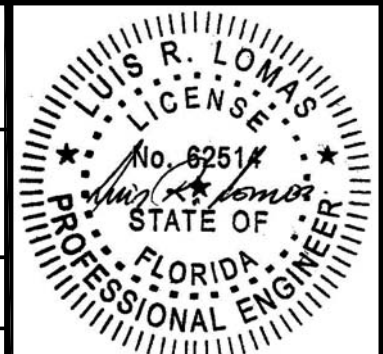
1. THE PRODUCT SHOWN HEREIN IS DESIGNED AND MANUFACTURED TO COMPLY WITH REQUIREMENTS OF THE FLORIDA BUILDING CODE INCLUDING THE HVHZ.
2. WOOD FRAMING AND MASONRY OPENING TO BE DESIGNED AND ANCHORED TO PROPERLY TRANSFER ALL LOADS TO STRUCTURE. FRAMING AND MASONRY OPENING IS THE RESPONSIBILITY OF THE ARCHITECT OR ENGINEER OF RECORD.
3. 1X BUCK OVER MASONRY/CONCRETE IS OPTIONAL.
4. WHERE SHIM OR BUCK THICKNESS IS LESS THAN 1-1/2" WINDOW UNITS MUST BE ANCHORED THROUGH THE FRAME IN ACCORDANCE WITH MANUFACTURER'S PUBLISHED INSTALLATION INSTRUCTIONS. ANCHORS SHALL BE SECURELY FASTENED DIRECTLY INTO MASONRY, CONCRETE OR OTHER STRUCTURAL SUBSTRATE MATERIAL.
5. WHERE WOOD BUCK THICKNESS IS 1-1/2" OR GREATER, BUCK SHALL BE SECURELY FASTENED TO MASONRY, CONCRETE OR OTHER STRUCTURAL SUBSTRATE. WINDOW UNITS MAY BE ANCHORED THROUGH FRAME TO SECURED WOOD BUCK IN ACCORDANCE WITH MANUFACTURER'S PUBLISHED INSTALLATION INSTRUCTIONS.
6. WHERE 1X BUCK IS NOT USED DISSIMILAR MATERIALS MUST BE SEPARATED WITH APPROVED COATING OR MEMBRANE. SELECTION OF COATING OR MEMBRANE IS THE RESPONSIBILITY OF THE ARCHITECT OR ENGINEER OF RECORD.
7. BUCKS SHALL EXTEND BEYOND WINDOW INTERIOR FACE SO THAT FULL FRAME SUPPORT IS PROVIDED.
8. SHIM AS REQUIRED AT EACH ANCHOR LOCATION WITH LOAD BEARING SHIM. SHIM WHERE SPACE OF 1/16" OR GREATER OCCURS. MAXIMUM ALLOWABLE SHIM STACK TO BE 1/4".
9. SHIMS SHALL BE LOCATED, APPLIED AND MADE FROM MATERIALS AND THICKNESS CAPABLE OF SUSTAINING APPLICABLE LOADS.
10. WIND LOAD DURATION FACTOR Cd=1.6 WAS USED FOR WOOD ANCHOR CALCULATIONS.
11. FRAME MATERIAL: EXTRUDED ALUMINUM 6063-T5.
12. UNITS MUST BE GLAZED PER ASTM E1300-04/09, SEE SHEET 3 FOR GLASS DETAILS.
13. APPROVED IMPACT PROTECTIVE SYSTEM IS NOT REQUIRED FOR THIS PRODUCT IN WIND BORNE DEBRIS REGIONS.
14. FOR ANCHORING THROUGH FRAME INTO WOOD FRAMING OR 2X BUCK USE #14 WOOD SCREWS WITH SUFFICIENT LENGTH TO ACHIEVE A 1 7/16" MINIMUM EMBEDMENT INTO SUBSTRATE. LOCATE ANCHORS AS SHOWN IN ELEVATIONS AND INSTALLATION DETAILS.

15. FOR ANCHORING THROUGH FRAME INTO MASONRY/CONCRETE USE 1/4 ELCO CRETE-FLEX TAPCONS WITH SUFFICIENT LENGTH TO ACHIEVE A 1 1/4" MINIMUM EMBEDMENT INTO SUBSTRATE WITH 2" MINIMUM EDGE DISTANCE. LOCATE ANCHORS AS SHOWN IN ELEVATIONS AND INSTALLATION DETAILS.
16. FOR ANCHORING THROUGH FRAME INTO METAL STRUCTURE USE #14 SMS OR SELF DRILLING SCREWS WITH SUFFICIENT LENGTH TO ACHIEVE 3 THREADS MINIMUM BEYOND STRUCTURE INTERIOR WALL. LOCATE ANCHORS AS SHOWN IN ELEVATIONS AND INSTALLATION DETAILS.
17. ALL FASTENERS TO BE CORROSION RESISTANT.
18. INSTALLATION ANCHORS SHALL BE INSTALLED IN ACCORDANCE WITH ANCHOR MANUFACTURER'S INSTALLATION INSTRUCTIONS AND ANCHORS SHALL NOT BE USED IN SUBSTRATES WITH STRENGTHS LESS THAN THE MINIMUM STRENGTH SPECIFIED BELOW:
  - A. WOOD - MINIMUM SPECIFIC GRAVITY OF G=0.42
  - B. CONCRETE - MINIMUM COMPRESSIVE STRENGTH OF 3,192 PSI.
  - C. MASONRY - STRENGTH CONFORMANCE TO ASTM C-90, GRADE N, TYPE 1 (OR GREATER).
  - D. METAL STRUCTURE: STEEL 18GA, 33KSI OR ALUMINUM 6063-T5 0.052" THICK MINIMUM
19. APPROVED CONFIGURATIONS: OX, XO, AND XOX.

SIGNED: 01/05/2018

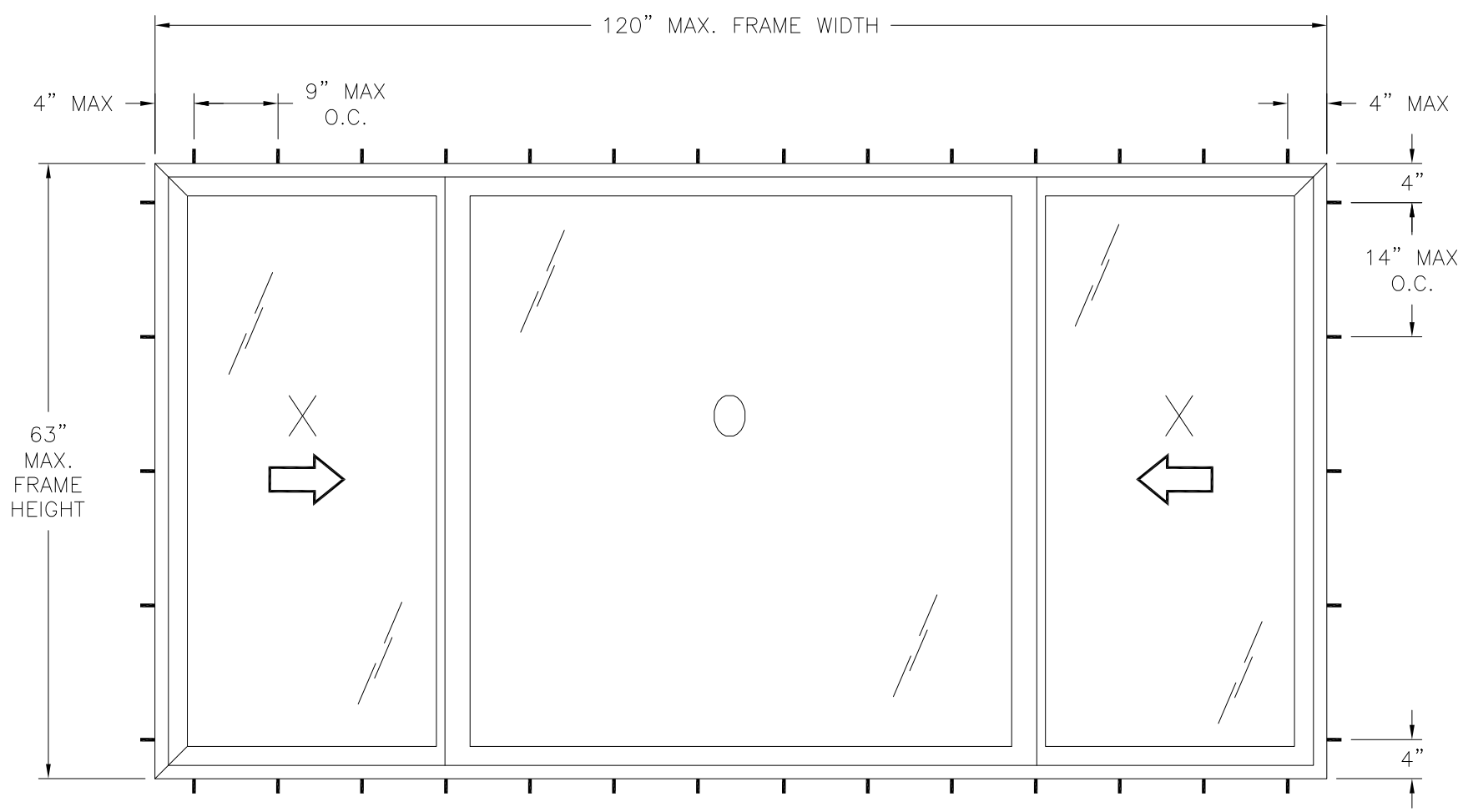
TABLE OF CONTENTS	
SHEET NO.	DESCRIPTION
1	NOTES
2	ELEVATION & GLAZING DETAIL
3 - 5	INSTALLATION DETAILS

 <b>Eastern</b> ARCHITECTURAL SYSTEMS ALUMINUM AND VINYL IMPACT WINDOWS AND DOORS		EASTERN ARCHITECTURAL SYSTEMS A DIVISION OF EASTERN METAL SUPPLY 10030 BAVARIA ROAD FORT MYERS, FLORIDA 33913 800-432-2204	
SERIES FWI 1000 ALUMINUM, IMPACT HORIZONTAL SLIDING WINDOW 120" X 63" NOTES			
DRAWN: V.L.		DWG NO. 08-02680	
SCALE NTS		DATE 04/13/15	REV A
		SHEET 1 OF 5	
L. ROBERTO LOMAS P.E. 1432 WOODFORD RD LEWISVILLE, NC 27023 434-688-0609 rllomas@rlomaspe.com			



Luis R. Lomas P.E.  
FL No.: 62514

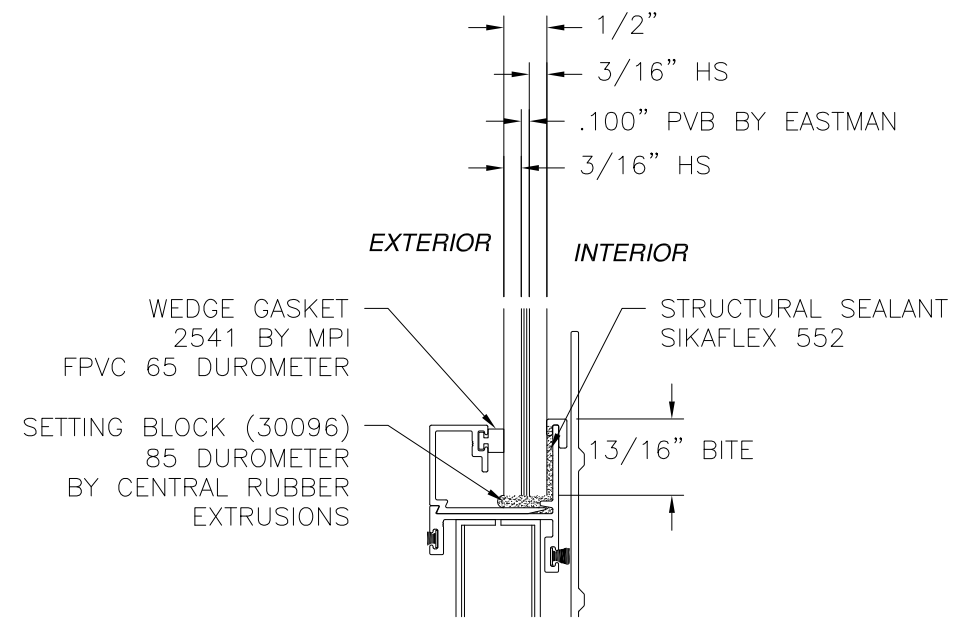
REVISIONS			
REV	DESCRIPTION	DATE	APPROVED
A	REVISED PER NEW REQUIREMENTS	01/05/18	R.L.



**SERIES FWI 1000 ALUMINUM HORIZONTAL SLIDING WINDOW**  
EXTERIOR VIEW FRAME

DESIGN PRESSURE RATING	IMPACT RATING
+100.0/-120.0PSF	LARGE AND SMALL MISSILE IMPACT

MISSILE LEVEL D, WIND ZONE 4, AND HVHZ




**GLAZING DETAIL**

- NOTES:
1. SASH SIZE: 30" X 59 1/4"
  2. MAXIMUM D.L.O.: 55" X 56"
  3. (4) 1 3/8" X 3/16" WEEPHOLES AT SILL 5" FROM EACH END AND 1" FROM MEETING RAIL.
  4. (1) 1 3/4" X 3/16" WEEPHOLE 27 1/2" FROM SASH MEETING RAIL.

**HARDWARE SCHEDULE**

A.	(4) METAL CAM LOCK AT MEETING RAIL, 9 1/2" FROM TOP AND BOTTOM RAIL
B.	(2) TANDEMBRASS WHEELS IN PLASTIC HOUSING AT EACH VENT BOTTOM RAIL, 1/4" FROM EACH END

SIGNED: 01/05/2018



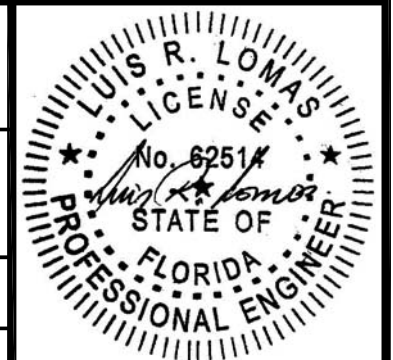
EASTERN ARCHITECTURAL SYSTEMS  
A DIVISION OF  
EASTERN METAL SUPPLY

10030 BAVARIA ROAD  
FORT MYERS, FLORIDA 33913  
800-432-2204

**SERIES FWI 1000 ALUMINUM, IMPACT HORIZONTAL SLIDING WINDOW 120" X 63" ELEVATION AND GLAZING DETAIL**

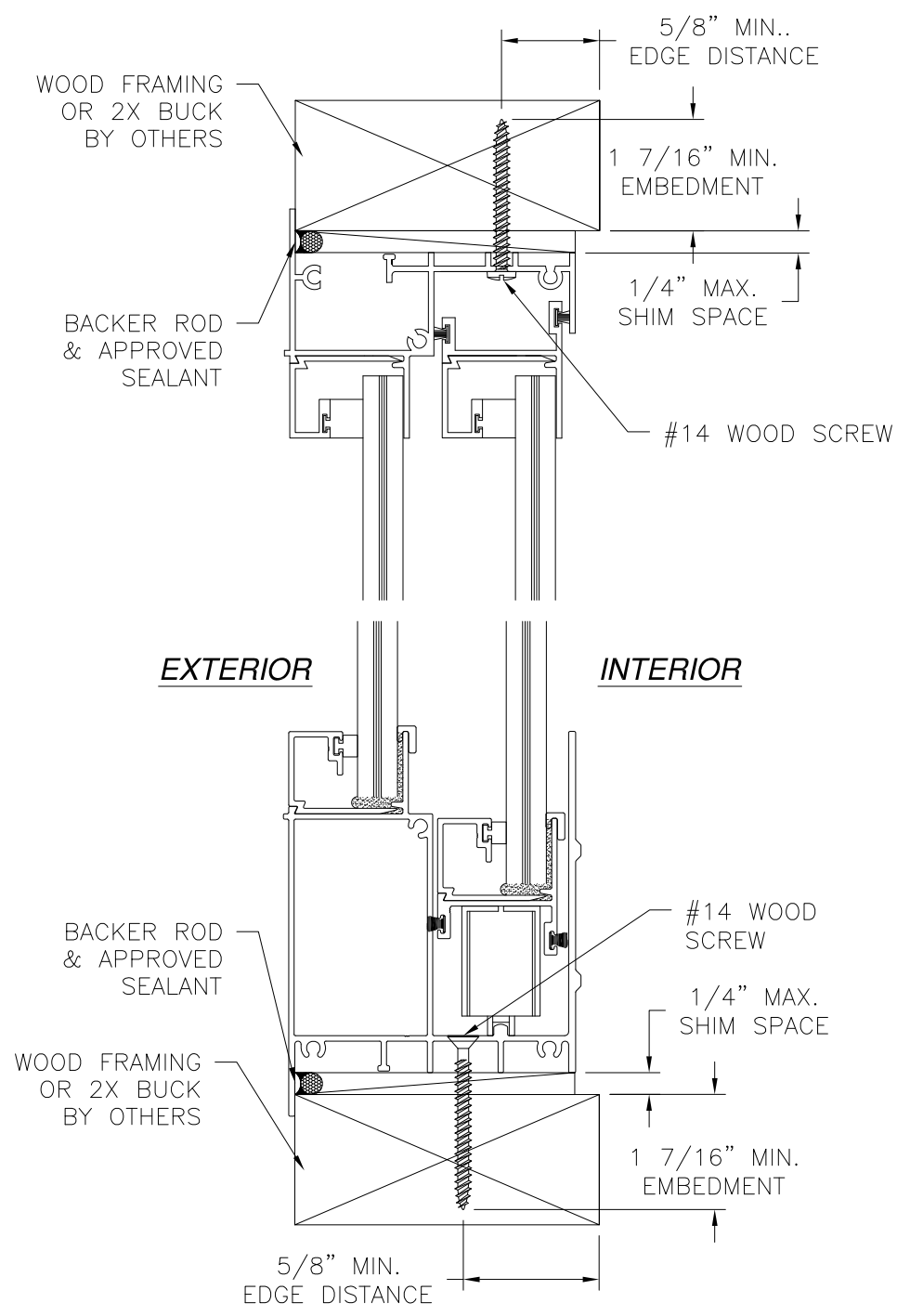
DRAWN: V.L.	DWG NO. 08-02680	REV A
SCALE NTS	DATE 04/13/15	SHEET 2 OF 5

L. ROBERTO LOMAS P.E.  
 1432 WOODFORD RD LEWISVILLE, NC 27023  
 434-688-0609 rllomas@rlomaspe.com



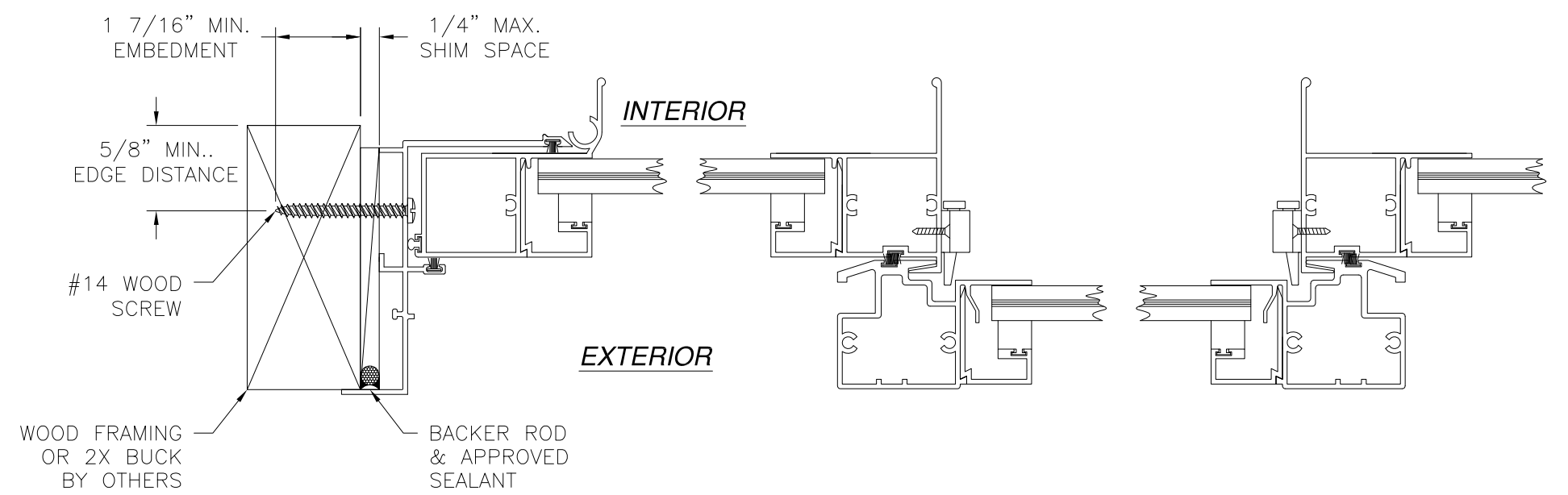
Luis R. Lomas P.E.  
FL No.: 62514

REVISIONS			
REV	DESCRIPTION	DATE	APPROVED
A	REVISED PER NEW REQUIREMENTS	01/05/18	R.L.




**VERTICAL CROSS SECTION**  
WOOD FRAMING OR 2X BUCK INSTALLATION

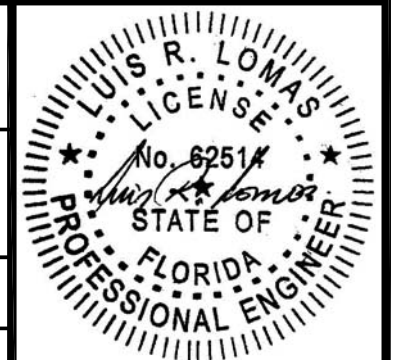
**NOTES:**  
 1. INTERIOR AND EXTERIOR FINISHES, BY OTHERS, NOT SHOWN FOR CLARITY.  
 2. PERIMETER AND JOINT SEALANT BY OTHERS TO BE DESIGNED IN ACCORDANCE WITH ASTM E2112



**JAMB INSTALLATION DETAIL**  
WOOD FRAMING OR 2X BUCK INSTALLATION

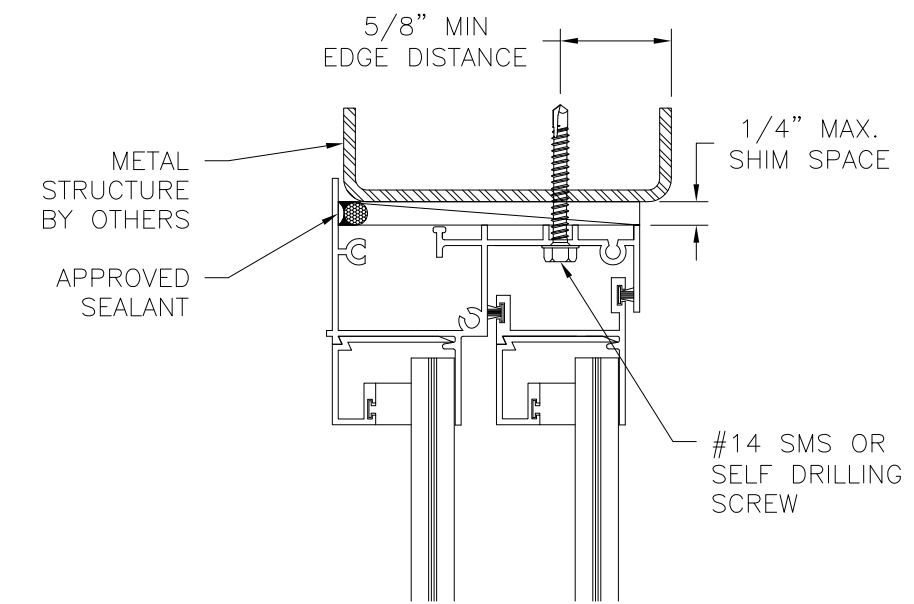
		EASTERN ARCHITECTURAL SYSTEMS A DIVISION OF EASTERN METAL SUPPLY 10030 BAVARIA ROAD FORT MYERS, FLORIDA 33913 800-432-2204	
SERIES FWI 1000 ALUMINUM, IMPACT HORIZONTAL SLIDING WINDOW 120" X 63" INSTALLATION DETAILS			
DRAWN: V.L.	DWG NO. 08-02680	REV A	
SCALE NTS	DATE 04/13/15	SHEET 3 OF 5	
L. ROBERTO LOMAS P.E. 1432 WOODFORD RD LEWISVILLE, NC 27023 434-688-0609 rllomas@rlomaspe.com			

SIGNED: 01/05/2018

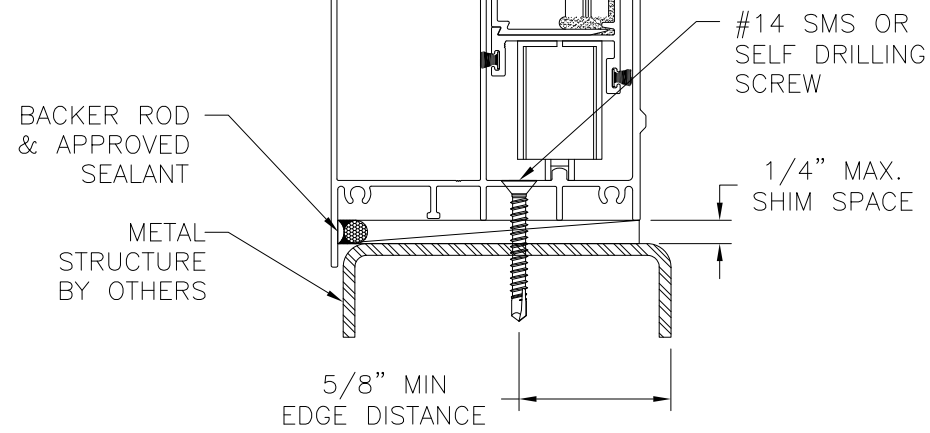


Luis R. Lomas P.E.  
FL No.: 62514

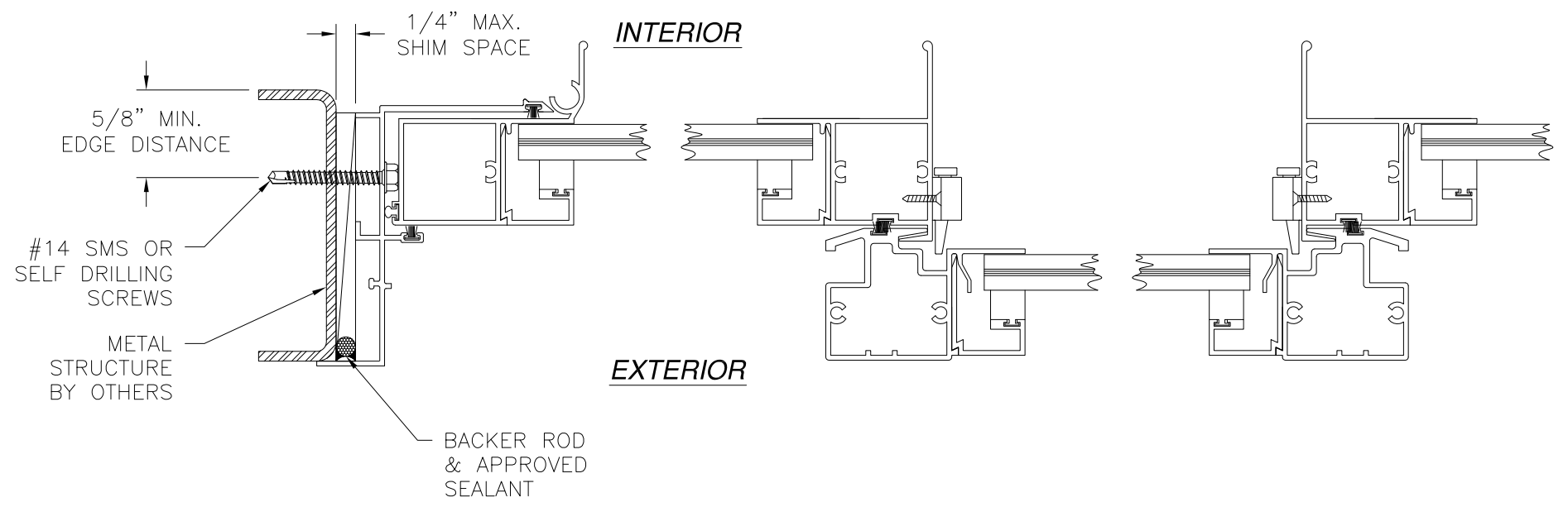
REVISIONS			
REV	DESCRIPTION	DATE	APPROVED
A	REVISED PER NEW REQUIREMENTS	01/05/18	R.L.



**EXTERIOR**                      **INTERIOR**



**VERTICAL CROSS SECTION**  
METAL STRUCTURE INSTALLATION

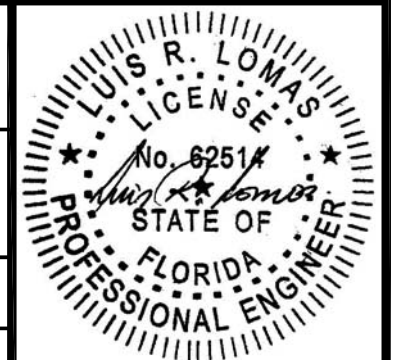


**JAMB INSTALLATION DETAIL**  
METAL STRUCTURE INSTALLATION

**NOTES:**  
1. INTERIOR AND EXTERIOR FINISHES, BY OTHERS, NOT SHOWN FOR CLARITY.  
2. PERIMETER AND JOINT SEALANT BY OTHERS TO BE DESIGNED IN ACCORDANCE WITH ASTM E2112

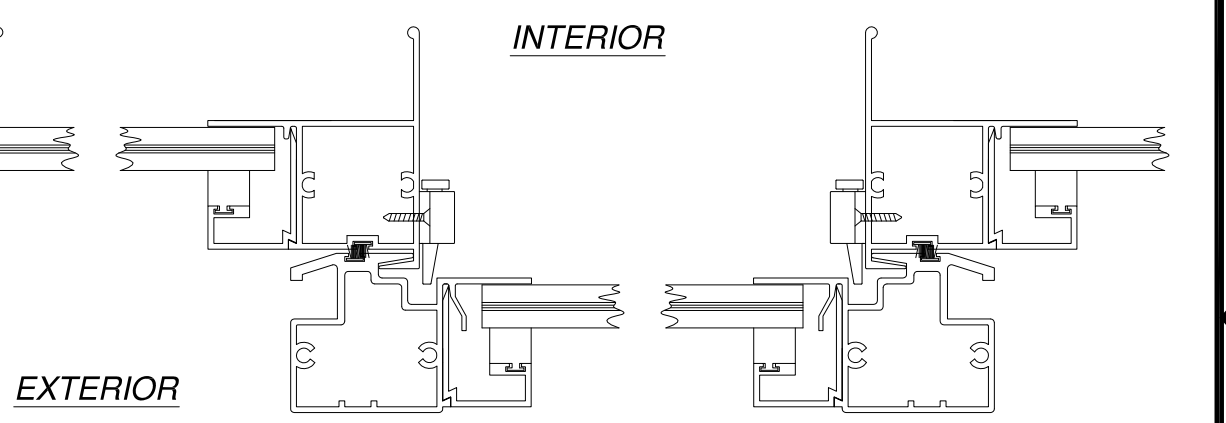
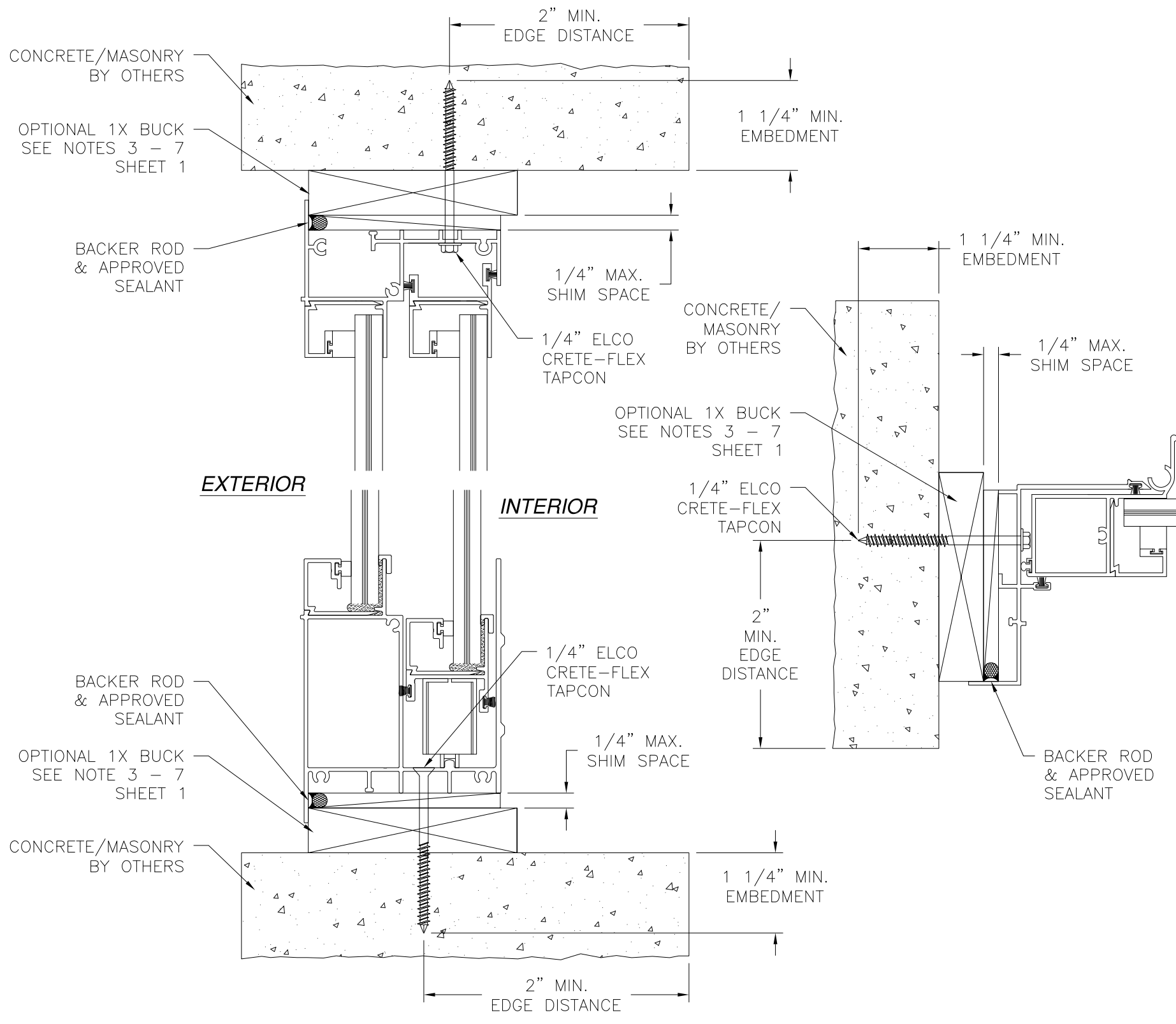
		EASTERN ARCHITECTURAL SYSTEMS A DIVISION OF EASTERN METAL SUPPLY 10030 BAVARIA ROAD FORT MYERS, FLORIDA 33913 800-432-2204	
SERIES FWI 1000 ALUMINUM, IMPACT HORIZONTAL SLIDING WINDOW 120" X 63" INSTALLATION DETAILS			
DRAWN: V.L.	DWG NO. 08-02680	REV A	
SCALE NTS	DATE 04/13/15	SHEET 4 OF 5	
L. ROBERTO LOMAS P.E. 1432 WOODFORD RD LEWISVILLE, NC 27023 434-688-0609 rllomas@rlomaspe.com			

SIGNED: 01/05/2018



Luis R. Lomas P.E.  
FL No.: 62514

REVISIONS			
REV	DESCRIPTION	DATE	APPROVED
A	REVISED PER NEW REQUIREMENTS	01/05/18	R.L.



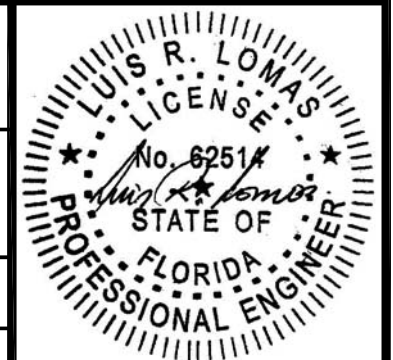
**JAMB INSTALLATION DETAIL**  
CONCRETE/MASONRY INSTALLATION

**VERTICAL CROSS SECTION**  
CONCRETE/MASONRY INSTALLATION

**NOTES:**  
 1. INTERIOR AND EXTERIOR FINISHES, BY OTHERS, NOT SHOWN FOR CLARITY.  
 2. PERIMETER AND JOINT SEALANT BY OTHERS TO BE DESIGNED IN ACCORDANCE WITH ASTM E2112

SIGNED: 01/05/2018

 <b>Eastern</b> ARCHITECTURAL SYSTEMS ALUMINUM AND VINYL IMPACT WINDOWS AND DOORS		EASTERN ARCHITECTURAL SYSTEMS A DIVISION OF EASTERN METAL SUPPLY 10030 BAVARIA ROAD FORT MYERS, FLORIDA 33913 800-432-2204	
SERIES FWI 1000 ALUMINUM, IMPACT HORIZONTAL SLIDING WINDOW 120" X 63" INSTALLATION DETAILS			
DRAWN: V.L.	DWG NO. 08-02680	REV A	
SCALE NTS	DATE 04/13/15	SHEET 5 OF 5	
L. ROBERTO LOMAS P.E. 1432 WOODFORD RD LEWISVILLE, NC 27023 434-688-0609 rllomas@rlomaspe.com			



Luis R. Lomas P.E.  
FL No.: 62514