


REVISIONS			
REV	DESCRIPTION	DATE	APPROVED
C	REVISED GLAZING DETAILS	01/03/18	R.L.

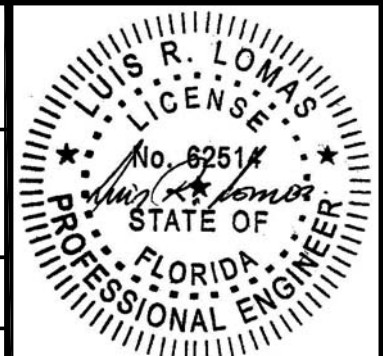
NOTES:

1. THE PRODUCT SHOWN HEREIN IS DESIGNED AND MANUFACTURED TO COMPLY WITH REQUIREMENTS OF THE FLORIDA BUILDING CODE, INCLUDING THE HVHZ.
2. WOOD FRAMING AND MASONRY OPENING TO BE DESIGNED AND ANCHORED TO PROPERLY TRANSFER ALL LOADS TO STRUCTURE. FRAMING AND MASONRY OPENING IS THE RESPONSIBILITY OF THE ARCHITECT OR ENGINEER OF RECORD.
3. 1X BUCK OVER MASONRY/CONCRETE IS OPTIONAL. WHERE 1X BUCK IS NOT USED DISSIMILAR MATERIALS MUST BE SEPARATED WITH APPROVED COATING OR MEMBRANE. SELECTION OF COATING OR MEMBRANE IS THE RESPONSIBILITY OF THE ARCHITECT OR ENGINEER OF RECORD.
4. ALLOWABLE STRESS INCREASE OF 1/3 WAS NOT USED IN THE DESIGN OF THE PRODUCT SHOWN HEREIN. WIND LOAD DURATION FACTOR Cd=1.6 WAS USED FOR WOOD ANCHOR CALCULATIONS.
5. FRAME MATERIAL: EXTRUDED RIGID PVC.
6. UNITS MUST BE GLAZED PER ASTM E1300-04/09, SEE SHEET 2 FOR GLASS DETAILS.
7. APPROVED IMPACT PROTECTIVE SYSTEM IS NOT REQUIRED FOR THIS PRODUCT IN WIND BORNE DEBRIS REGIONS.
8. SHIM AS REQUIRED AT EACH INSTALLATION ANCHOR WITH LOAD BEARING SHIM. SHIM WHERE SPACE OF 1/16" OR GREATER OCCURS. MAXIMUM ALLOWABLE SHIM STACK TO BE 1/4".
9. FOR ANCHORING INTO WOOD FRAMING OR 2X BUCK USE #8 WOOD SCREWS WITH SUFFICIENT LENGTH TO ACHIEVE A 1 1/4" MINIMUM EMBEDMENT INTO SUBSTRATE. LOCATE ANCHORS AS SHOWN IN ELEVATIONS AND INSTALLATION DETAILS.
10. FOR ANCHORING INTO MASONRY/CONCRETE USE 3/16" TAPCONS WITH SUFFICIENT LENGTH TO ACHIEVE A 1 1/4" MINIMUM EMBEDMENT INTO SUBSTRATE WITH 2" MINIMUM EDGE DISTANCE. LOCATE ANCHORS AS SHOWN IN ELEVATIONS AND INSTALLATION DETAILS.
11. FOR ANCHORING INTO METAL STRUCTURE USE #8 SMS OR SELF DRILLING SCREWS WITH SUFFICIENT LENGTH TO ACHIEVE 3 THREADS MINIMUM BEYOND STRUCTURE INTERIOR WALL. LOCATE ANCHORS AS SHOWN IN ELEVATIONS AND INSTALLATION DETAILS.
12. ALL FASTENERS TO BE CORROSION RESISTANT.
13. INSTALLATION ANCHORS SHALL BE INSTALLED IN ACCORDANCE WITH ANCHOR MANUFACTURER'S INSTALLATION INSTRUCTIONS AND ANCHORS SHALL NOT BE USED IN SUBSTRATES WITH STRENGTHS LESS THAN THE MINIMUM STRENGTH SPECIFIED BELOW:
 - A. WOOD – MINIMUM SPECIFIC GRAVITY OF G=0.42
 - B. CONCRETE – MINIMUM COMPRESSIVE STRENGTH OF 3,192 PSI.
 - C. MASONRY – STRENGTH CONFORMANCE TO ASTM C-90, GRADE N, TYPE 1 (OR GREATER).
 - D. METAL STRUCTURE: STEEL 18GA, 33KSI OR ALUMINUM 6063-T5 0.048" THICK MINIMUM

SIGNED: 01/05/2018

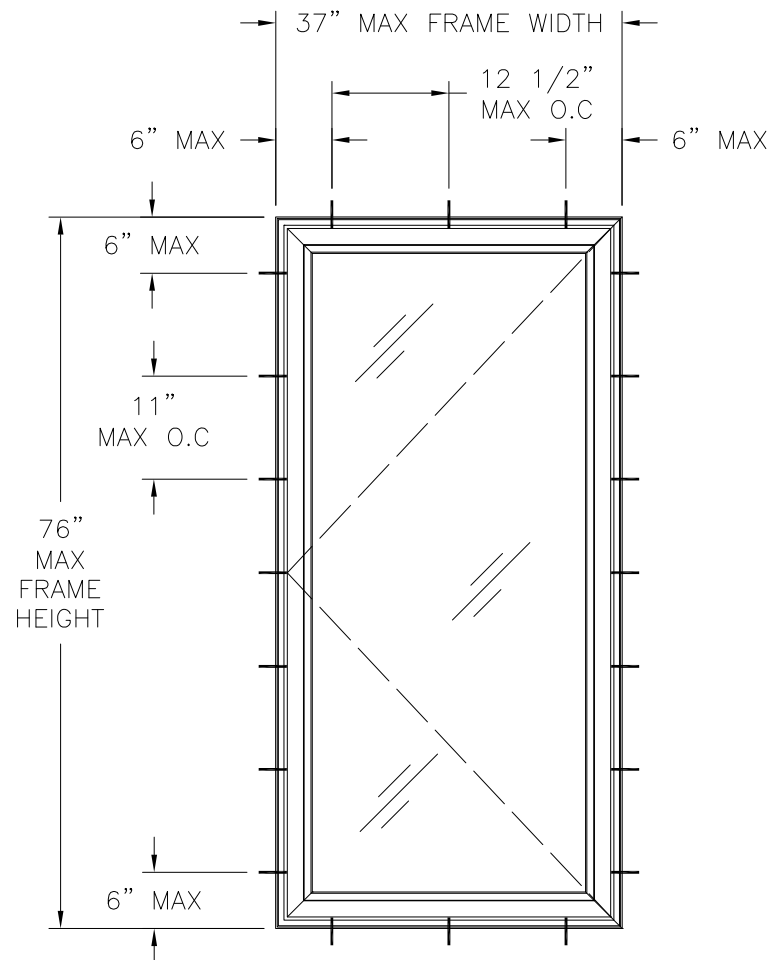
TABLE OF CONTENTS	
SHEET NO.	DESCRIPTION
1	NOTES
2	ELEVATIONS
3 - 6	INSTALLATION DETAILS

		EASTERN ARCHITECTURAL SYSTEMS A DIVISION OF EASTERN METAL SUPPLY	
10030 BAVARIA ROAD FORT MYERS, FLORIDA 33913 800-432-2204		SERIES 143 VINYL IMPACT CASEMENT WINDOW 37" X 76" NOTES	
DRAWN: A.P.	DWG NO. 08-01779	REV C	
SCALE NTS	DATE 09/14/12	SHEET 1 OF 6	
L. ROBERTO LOMAS P.E. 1432 WOODFORD RD LEWISVILLE, NC 27023 434-688-0609 rllomas@lrlomaspe.com			

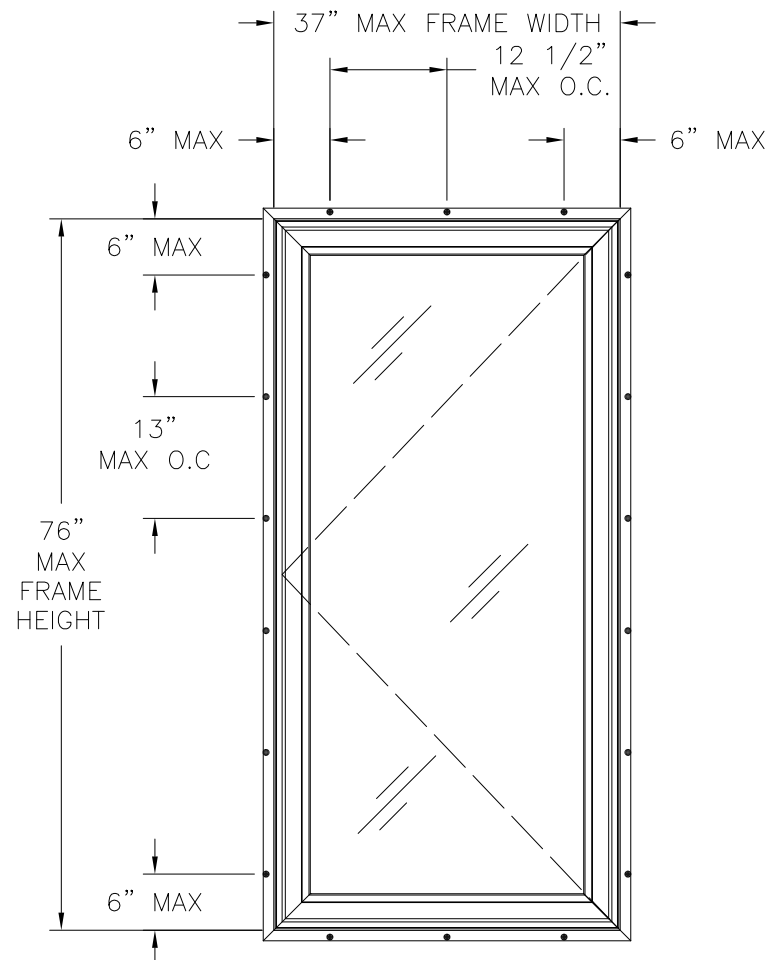


Luis R. Lomas P.E.
FL No.: 62514

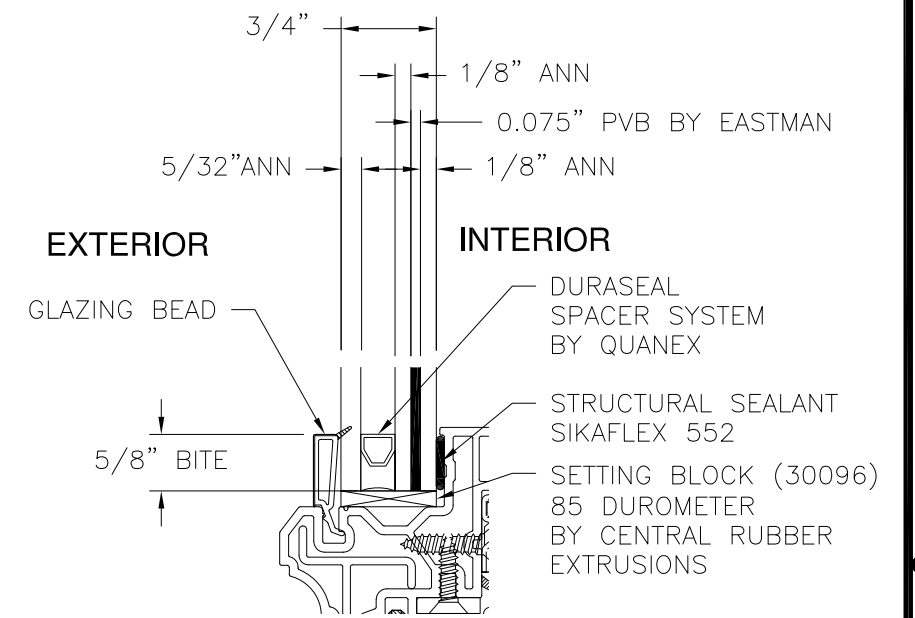
REVISIONS			
REV	DESCRIPTION	DATE	APPROVED
C	REVISED GLAZING DETAILS	01/03/18	R.L.



SERIES 143.191 CA-008
EXTERIOR VIEW
FRAME INSTALLATION



SERIES 143.191 CA-008
EXTERIOR VIEW
FIN INSTALLATION



GLAZING DETAIL

DESIGN PRESSURE RATING	IMPACT RATING
±70.0PSF	LARGE MISSILE IMPACT

MISSILE LEVEL D, WIND ZONE 4, AND HVHZ

SIGNED: 01/05/2018

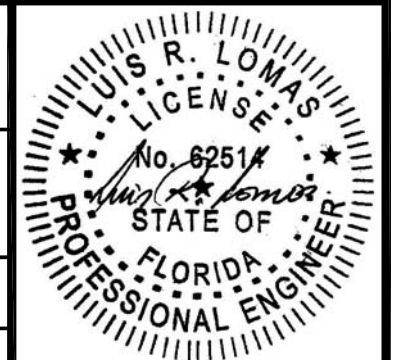


EASTERN ARCHITECTURAL SYSTEMS
 A DIVISION OF
 EASTERN METAL SUPPLY
 10030 BAVARIA ROAD
 FORT MYERS, FLORIDA 33913
 800-432-2204

**SERIES 143 VINYL IMPACT CASEMENT WINDOW
37" X 76"
ELEVATION**

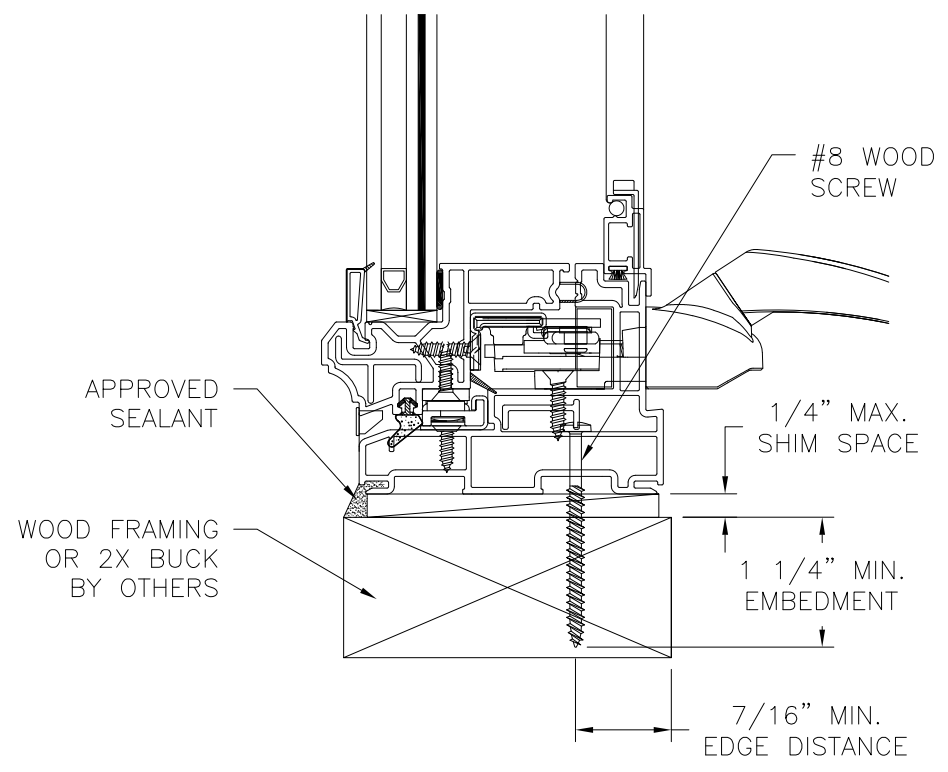
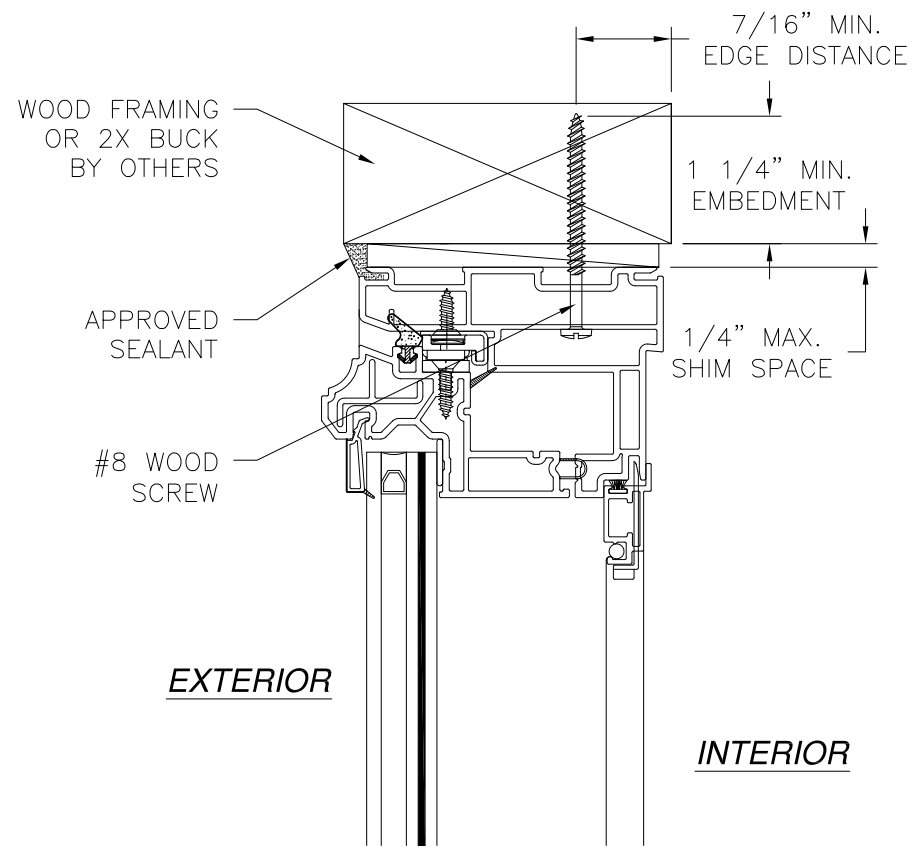
DRAWN: A.P.	DWG NO. 08-01779	REV C
SCALE NTS	DATE 09/14/12	SHEET 2 OF 6

L. ROBERTO LOMAS P.E.
 1432 WOODFORD RD LEWISVILLE, NC 27023
 434-688-0609 rllomas@rlomaspe.com

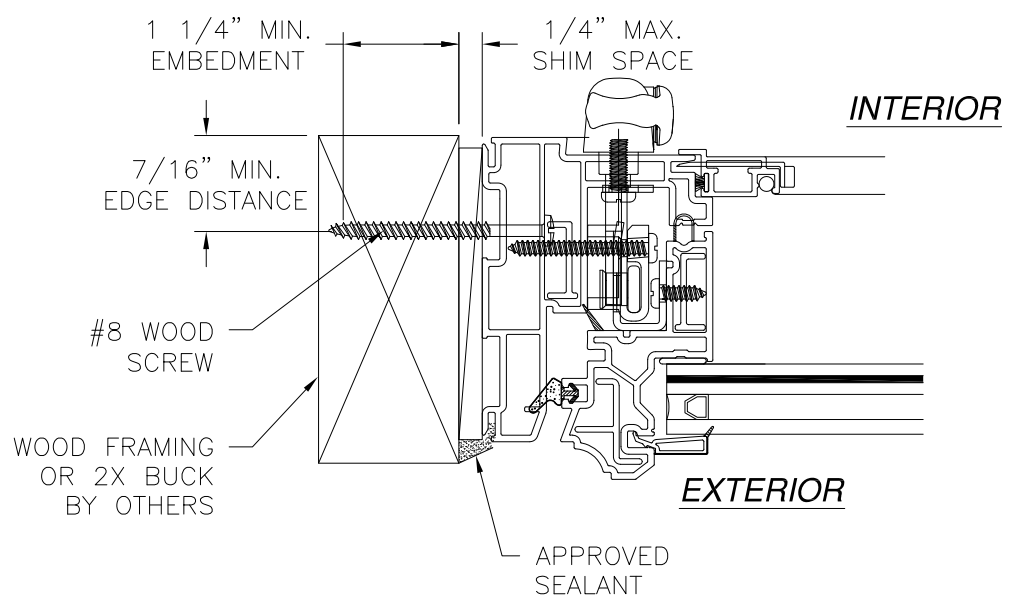


Luis R. Lomas P.E.
FL No.: 62514

REVISIONS			
REV	DESCRIPTION	DATE	APPROVED
C	REVISED GLAZING DETAILS	01/03/18	R.L.



VERTICAL CROSS SECTION
WOOD FRAMING OR 2X BUCK INSTALLATION

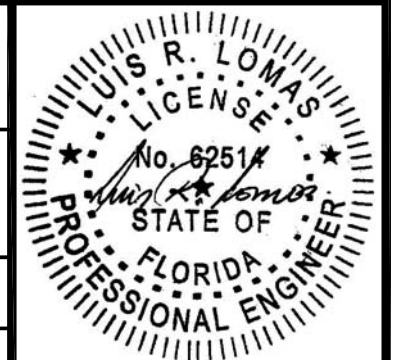


JAMB INSTALLATION DETAIL
WOOD FRAMING OR 2X BUCK INSTALLATION

- NOTES:**
1. INTERIOR AND EXTERIOR FINISHES, BY OTHERS, NOT SHOWN FOR CLARITY.
 2. PERIMETER AND JOINT SEALANT BY OTHERS TO BE DESIGNED IN ACCORDANCE WITH ASTM E2112

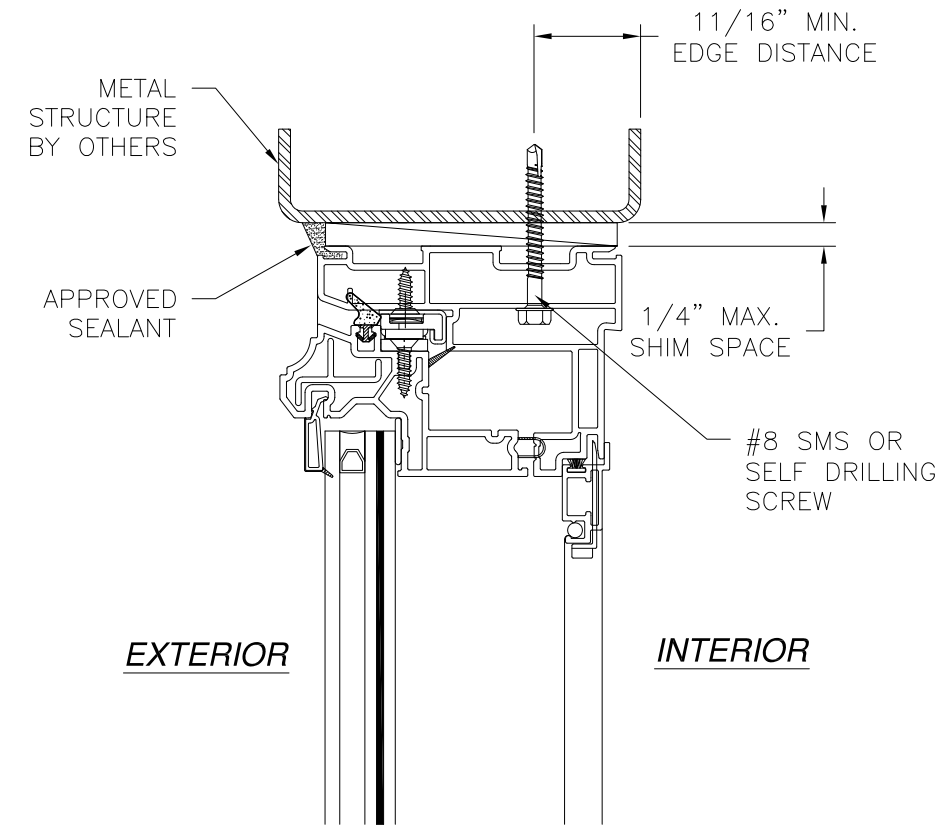
		EASTERN ARCHITECTURAL SYSTEMS A DIVISION OF EASTERN METAL SUPPLY 10030 BAVARIA ROAD FORT MYERS, FLORIDA 33913 800-432-2204	
SERIES 143 VINYL IMPACT CASEMENT WINDOW 37" X 76" INSTALLATION DETAILS			
DRAWN: A.P.	DWG NO. 08-01779	REV C	
SCALE NTS	DATE 09/14/12	SHEET 3 OF 6	
L. ROBERTO LOMAS P.E. 1432 WOODFORD RD LEWISVILLE, NC 27023 434-688-0609 rllomas@rlomaspe.com			

SIGNED: 01/05/2018



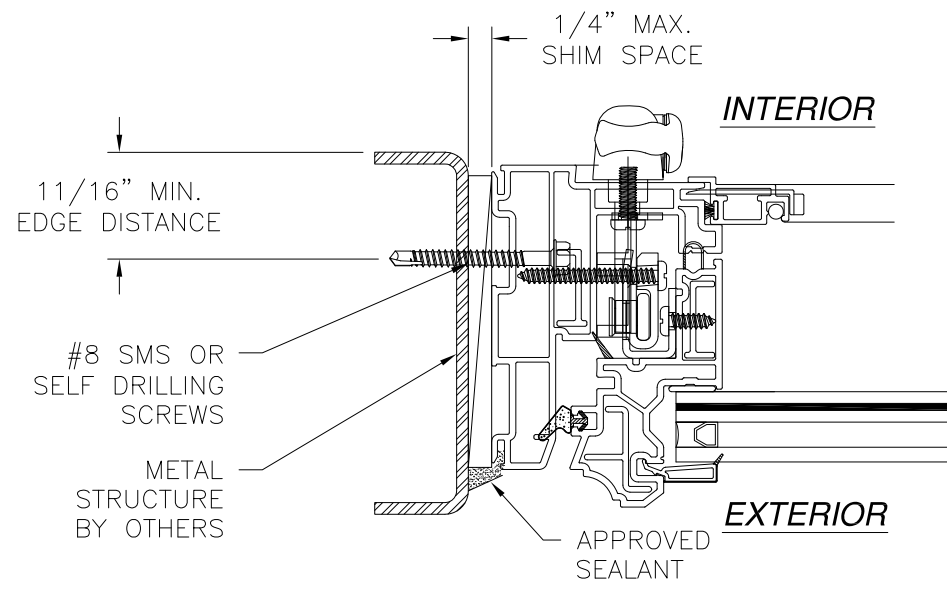
Luis R. Lomas P.E.
FL No.: 62514

REVISIONS			
REV	DESCRIPTION	DATE	APPROVED
C	REVISED GLAZING DETAILS	01/03/18	R.L.



EXTERIOR

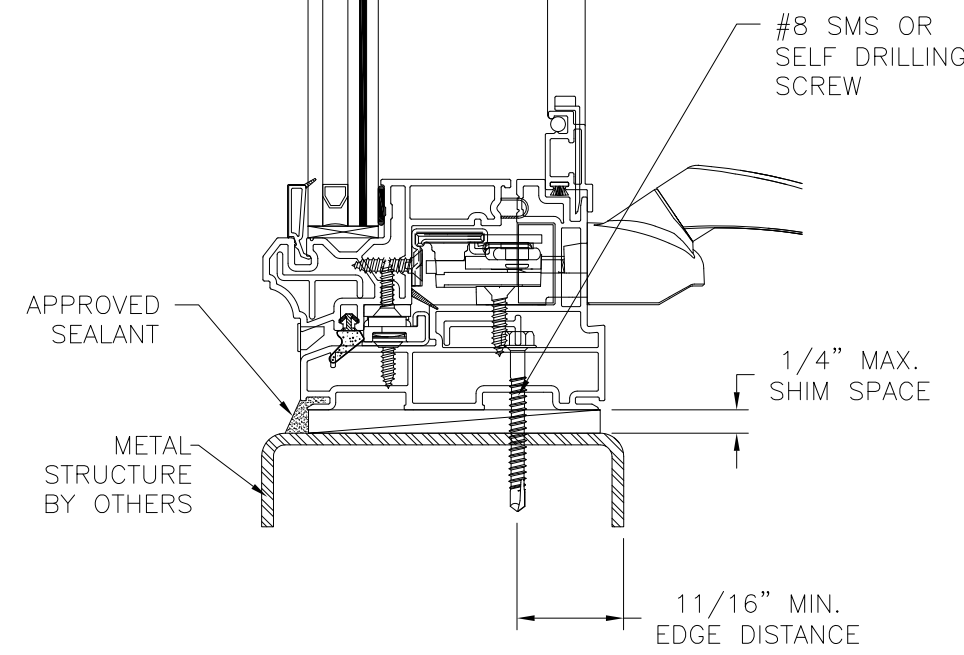
INTERIOR



INTERIOR

EXTERIOR

JAMB INSTALLATION DETAIL
METAL STRUCTURE INSTALLATION

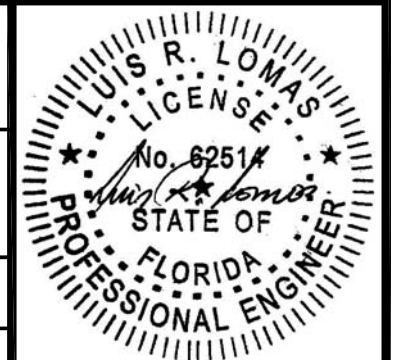


VERTICAL CROSS SECTION
METAL STRUCTURE INSTALLATION

- NOTES:**
1. INTERIOR AND EXTERIOR FINISHES, BY OTHERS, NOT SHOWN FOR CLARITY.
 2. PERIMETER AND JOINT SEALANT BY OTHERS TO BE DESIGNED IN ACCORDANCE WITH ASTM E2112

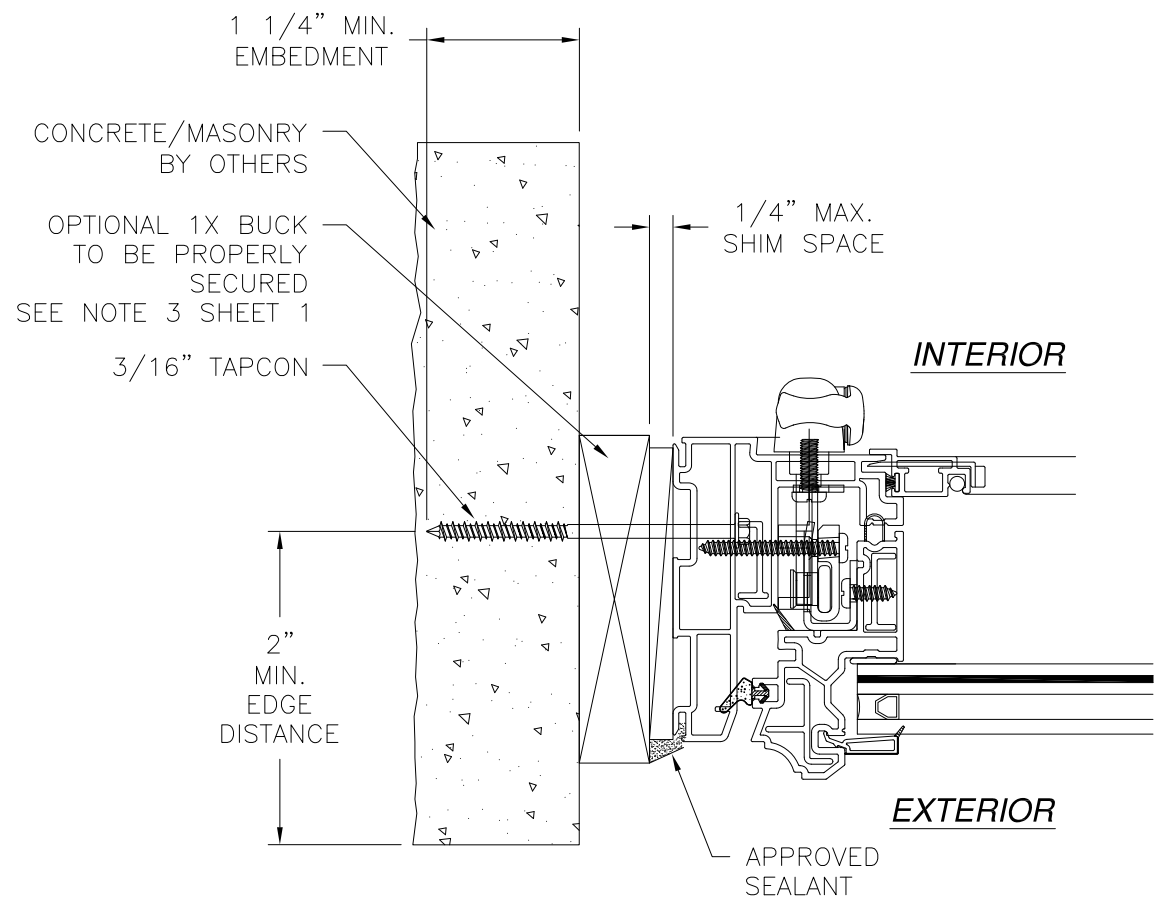
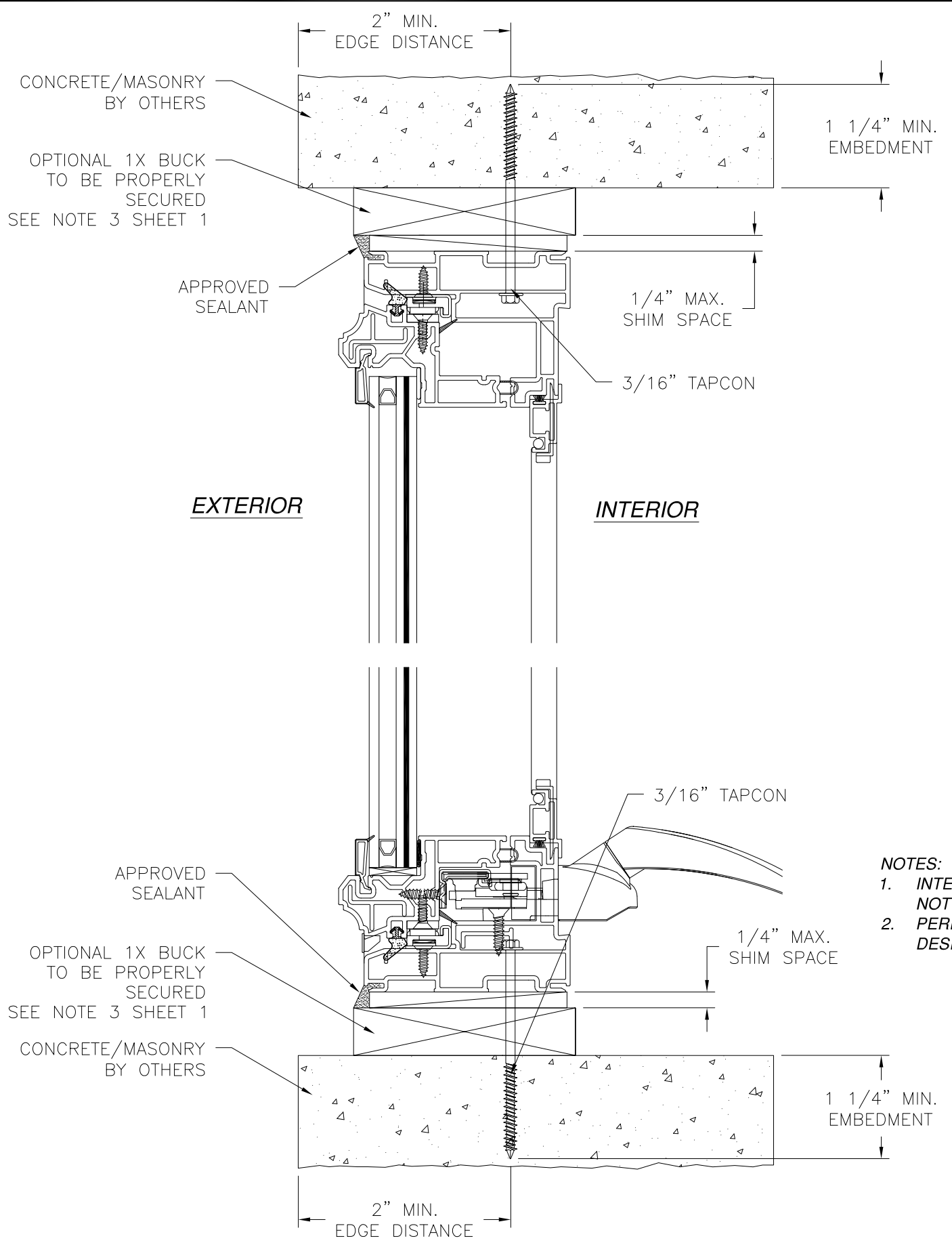
		EASTERN ARCHITECTURAL SYSTEMS A DIVISION OF EASTERN METAL SUPPLY 10030 BAVARIA ROAD FORT MYERS, FLORIDA 33913 800-432-2204	
SERIES 143 VINYL IMPACT CASEMENT WINDOW 37" X 76" INSTALLATION DETAILS			
DRAWN: A.P.	DWG NO. 08-01779	REV C	
SCALE NTS	DATE 09/14/12	SHEET 4 OF 6	
L. ROBERTO LOMAS P.E. 1432 WOODFORD RD LEWISVILLE, NC 27023 434-688-0609 rllomas@rlomaspe.com			

SIGNED: 01/05/2018



Luis R. Lomas P.E.
FL No.: 62514

REVISIONS			
REV	DESCRIPTION	DATE	APPROVED
C	REVISED GLAZING DETAILS	01/03/18	R.L.



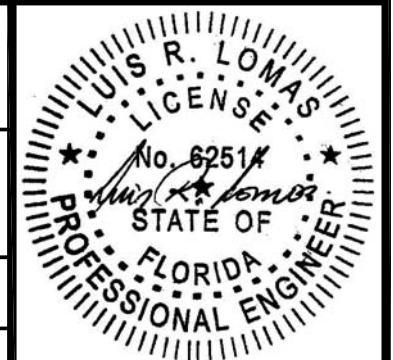
JAMB INSTALLATION DETAIL
CONCRETE/MASONRY INSTALLATION

- NOTES:**
1. INTERIOR AND EXTERIOR FINISHES, BY OTHERS, NOT SHOWN FOR CLARITY.
 2. PERIMETER AND JOINT SEALANT BY OTHERS TO BE DESIGNED IN ACCORDANCE WITH ASTM E2112

VERTICAL CROSS SECTION
CONCRETE/MASONRY INSTALLATION

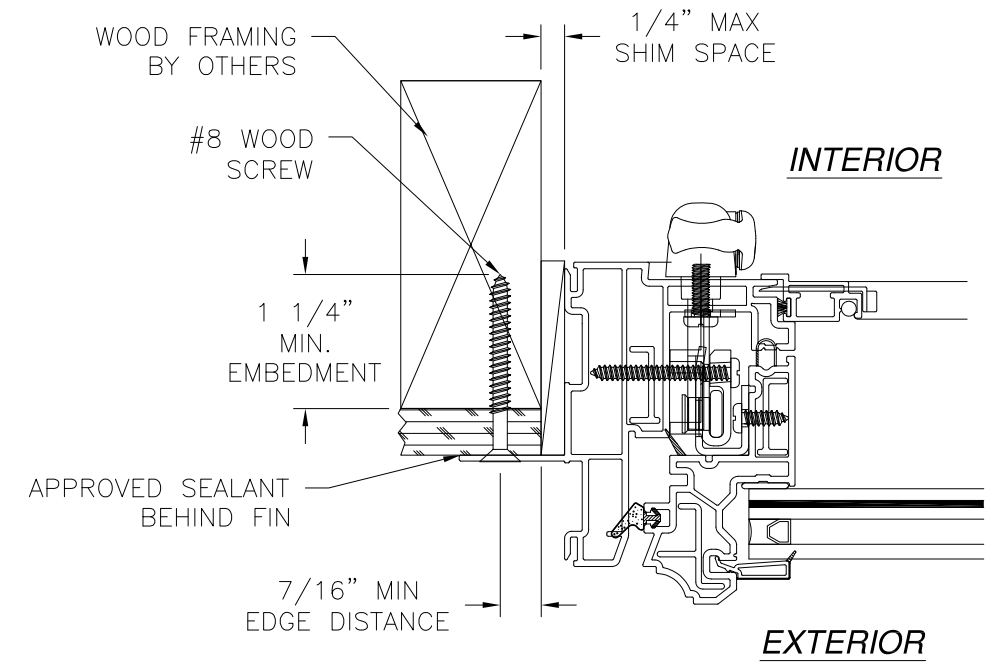
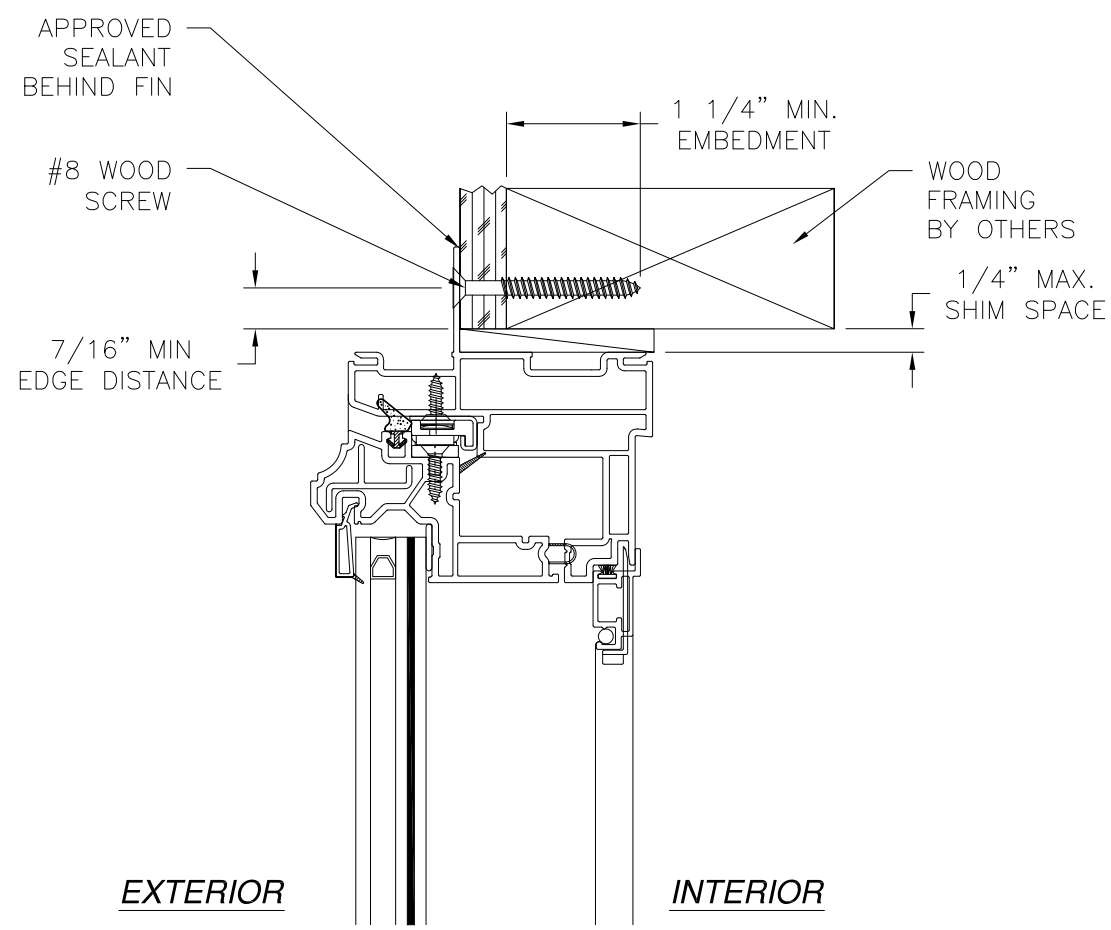
SIGNED: 01/05/2018

		EASTERN ARCHITECTURAL SYSTEMS A DIVISION OF EASTERN METAL SUPPLY 10030 BAVARIA ROAD FORT MYERS, FLORIDA 33913 800-432-2204	
SERIES 143 VINYL IMPACT CASEMENT WINDOW 37" X 76" INSTALLATION DETAILS			
DRAWN: A.P.	DWG NO. 08-01779	REV C	
SCALE NTS	DATE 09/14/12	SHEET 5 OF 6	
L. ROBERTO LOMAS P.E. 1432 WOODFORD RD LEWISVILLE, NC 27023 434-688-0609 rllomas@rlomaspe.com			

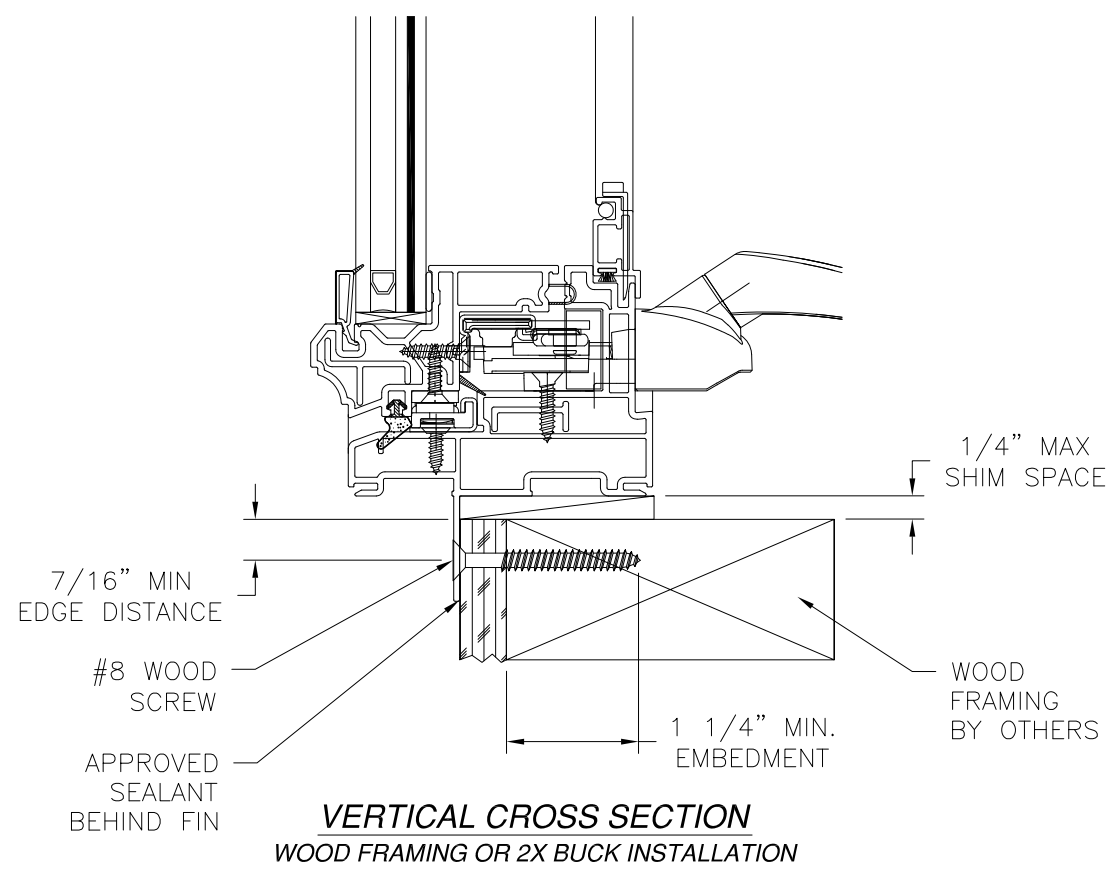


Luis R. Lomas P.E.
FL No.: 62514

REVISIONS			
REV	DESCRIPTION	DATE	APPROVED
C	REVISED GLAZING DETAILS	01/03/18	R.L.



JAMB INSTALLATION DETAIL
WOOD FRAMING OR 2X BUCK INSTALLATION



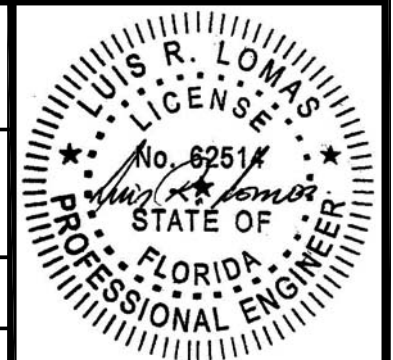
VERTICAL CROSS SECTION
WOOD FRAMING OR 2X BUCK INSTALLATION

NOTES:

1. INTERIOR AND EXTERIOR FINISHES, BY OTHERS, NOT SHOWN FOR CLARITY.
2. PERIMETER AND JOINT SEALANT BY OTHERS TO BE DESIGNED IN ACCORDANCE WITH ASTM E2112

SIGNED: 01/05/2018

		EASTERN ARCHITECTURAL SYSTEMS A DIVISION OF EASTERN METAL SUPPLY 10030 BAVARIA ROAD FORT MYERS, FLORIDA 33913 800-432-2204	
SERIES 143 VINYL IMPACT CASEMENT WINDOW 37" X 76" INSTALLATION DETAILS			
DRAWN: A.P.	DWG NO. 08-01779	REV C	
SCALE NTS	DATE 09/14/12	SHEET 6 OF 6	
L. ROBERTO LOMAS P.E. 1432 WOODFORD RD LEWISVILLE, NC 27023 434-688-0609 rllomas@rlomaspe.com			



Luis R. Lomas P.E.
FL No.: 62514