

REVISIONS			
REV	DESCRIPTION	DATE	APPROVED
A	REMOVED FLUSH INSTALLATION	07/23/14	R.L.
B	REVISED INSTALLATION DETAILS	06/23/15	R.L.


NOTES:

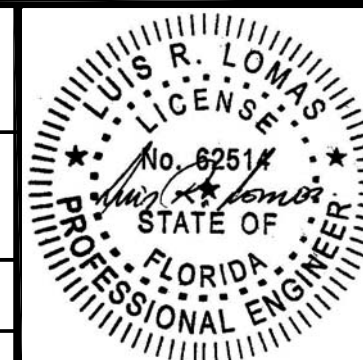
1. THE PRODUCT SHOWN HEREIN IS DESIGNED AND MANUFACTURED TO COMPLY WITH REQUIREMENTS OF THE FLORIDA BUILDING CODE INCLUDING THE HVHZ.
2. WOOD FRAMING AND MASONRY OPENING TO BE DESIGNED AND ANCHORED TO PROPERLY TRANSFER ALL LOADS TO STRUCTURE. FRAMING AND MASONRY OPENING IS THE RESPONSIBILITY OF THE ARCHITECT OR ENGINEER OF RECORD.
3. 1X BUCK OVER MASONRY/CONCRETE IS OPTIONAL.
4. WHERE SHIM OR BUCK THICKNESS IS LESS THAN 1-1/2" WINDOW UNITS MUST BE ANCHORED THROUGH THE FRAME IN ACCORDANCE WITH MANUFACTURER'S PUBLISHED INSTALLATION INSTRUCTIONS. ANCHORS SHALL BE SECURELY FASTENED DIRECTLY INTO MASONRY, CONCRETE OR OTHER STRUCTURAL SUBSTRATE MATERIAL.
5. WHERE WOOD BUCK THICKNESS IS 1-1/2" OR GREATER, BUCK SHALL BE SECURELY FASTENED TO MASONRY, CONCRETE OR OTHER STRUCTURAL SUBSTRATE. WINDOW UNITS MAY BE ANCHORED THROUGH FRAME TO SECURED WOOD BUCK IN ACCORDANCE WITH MANUFACTURER'S PUBLISHED INSTALLATION INSTRUCTIONS.
6. WHERE 1X BUCK IS NOT USED DISSIMILAR MATERIALS MUST BE SEPARATED WITH APPROVED COATING OR MEMBRANE. SELECTION OF COATING OR MEMBRANE IS THE RESPONSIBILITY OF THE ARCHITECT OR ENGINEER OF RECORD.
7. BUCKS SHALL EXTEND BEYOND WINDOW INTERIOR FACE SO THAT FULL FRAME SUPPORT IS PROVIDED.
8. FOR FIN INSTALLATION SHIM AS NEEDED. FOR FRAME INSTALLATION SHIM AS REQUIRED AT EACH ANCHOR LOCATION WITH LOAD BEARING SHIM. SHIM WHERE SPACE OF 1/16" OR GREATER OCCURS. MAXIMUM ALLOWABLE SHIM STACK TO BE 1/4".
9. SHIMS SHALL BE LOCATED, APPLIED AND MADE FROM MATERIALS AND THICKNESS CAPABLE OF SUSTAINING APPLICABLE LOADS.
10. WIND LOAD DURATION FACTOR Cd=1.6 WAS USED FOR WOOD ANCHOR CALCULATIONS.
11. FRAME MATERIAL: EXTRUDED RIGID PVC.
12. UNITS MUST BE GLAZED PER ASTM E1300-04, SEE SHEET 2 FOR GLASS OPTIONS.
13. APPROVED IMPACT PROTECTIVE SYSTEM IS NOT REQUIRED FOR THIS PRODUCT IN WIND BORNE DEBRIS REGIONS.
14. FOR ANCHORING FIN INTO WOOD FRAMING OR 2X BUCK USE #8 WOOD SCREWS WITH SUFFICIENT LENGTH TO ACHIEVE A 1 1/4" MINIMUM EMBEDMENT INTO SUBSTRATE. LOCATE ANCHORS AS SHOWN IN ELEVATIONS AND INSTALLATION DETAILS.

15. FOR ANCHORING FRAME INTO WOOD FRAMING OR 2X BUCK USE #14 WOOD SCREWS WITH SUFFICIENT LENGTH TO ACHIEVE A 1 7/16" MINIMUM EMBEDMENT INTO SUBSTRATE. LOCATE ANCHORS AS SHOWN IN ELEVATIONS AND INSTALLATION DETAILS.
16. FOR ANCHORING FRAME INTO MASONRY/CONCRETE USE 3/16" TAPCONS WITH SUFFICIENT LENGTH TO ACHIEVE A 1 1/4" MINIMUM EMBEDMENT INTO SUBSTRATE WITH 2 1/2" MINIMUM EDGE DISTANCE. LOCATE ANCHORS AS SHOWN IN ELEVATIONS AND INSTALLATION DETAILS.
17. FOR ANCHORING FRAME INTO METAL STRUCTURE USE #14 SMS OR SELF DRILLING SCREWS WITH SUFFICIENT LENGTH TO ACHIEVE 3 THREADS MINIMUM BEYOND STRUCTURE INTERIOR WALL. LOCATE ANCHORS AS SHOWN IN ELEVATIONS AND INSTALLATION DETAILS.
18. ALL FASTENERS TO BE CORROSION RESISTANT.
19. INSTALLATION ANCHORS SHALL BE INSTALLED IN ACCORDANCE WITH ANCHOR MANUFACTURER'S INSTALLATION INSTRUCTIONS AND ANCHORS SHALL NOT BE USED IN SUBSTRATES WITH STRENGTHS LESS THAN THE MINIMUM STRENGTH SPECIFIED BELOW:
 - A. WOOD - MINIMUM SPECIFIC GRAVITY OF G=0.42
 - B. CONCRETE - MINIMUM COMPRESSIVE STRENGTH OF 3,192 PSI.
 - C. MASONRY - STRENGTH CONFORMANCE TO ASTM C-90, GRADE N, TYPE 1 (OR GREATER).
 - D. METAL STRUCTURE: STEEL 18GA, 33KSI OR ALUMINUM 6063-T5 1/8" THICK MINIMUM
20. GEOMETRIC SHAPES ARE ALSO APPROVED. APPROVED GEOMETRIC SHAPES DIMENSIONS SHALL NOT EXCEED INSCRIBED DIMENSIONS OF APPROVED RECTANGULAR ASSEMBLY SHOWN IN SHEET 2. GEOMETRIC SHAPES ARE NOT LIMITED TO SHAPES SHOWN HEREIN.

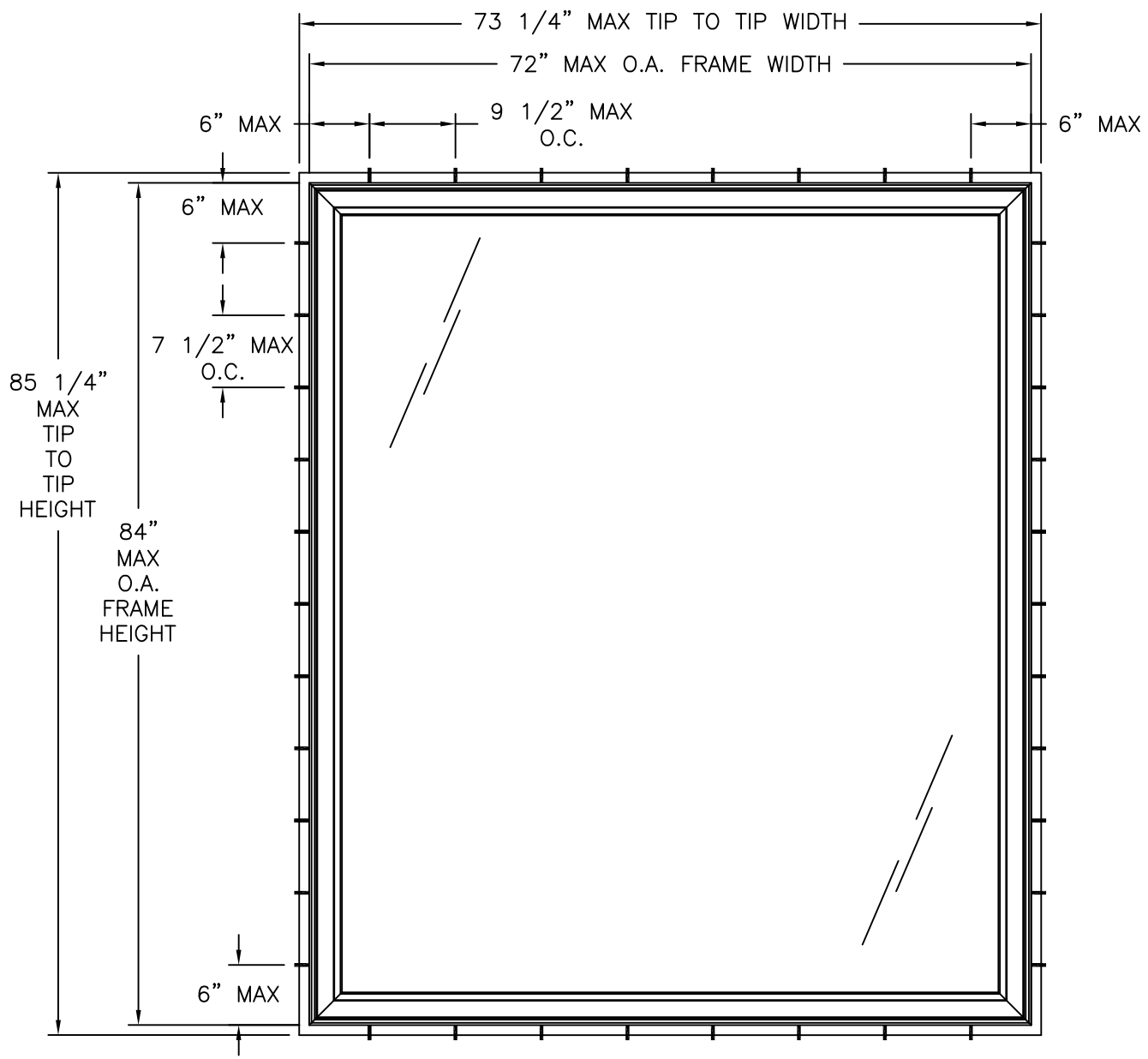
SIGNED: 04/11/2017

TABLE OF CONTENTS	
SHEET NO.	DESCRIPTION
1	NOTES
2	ELEVATIONS & GLAZING DETAIL
3 - 5	INSTALLATION DETAILS

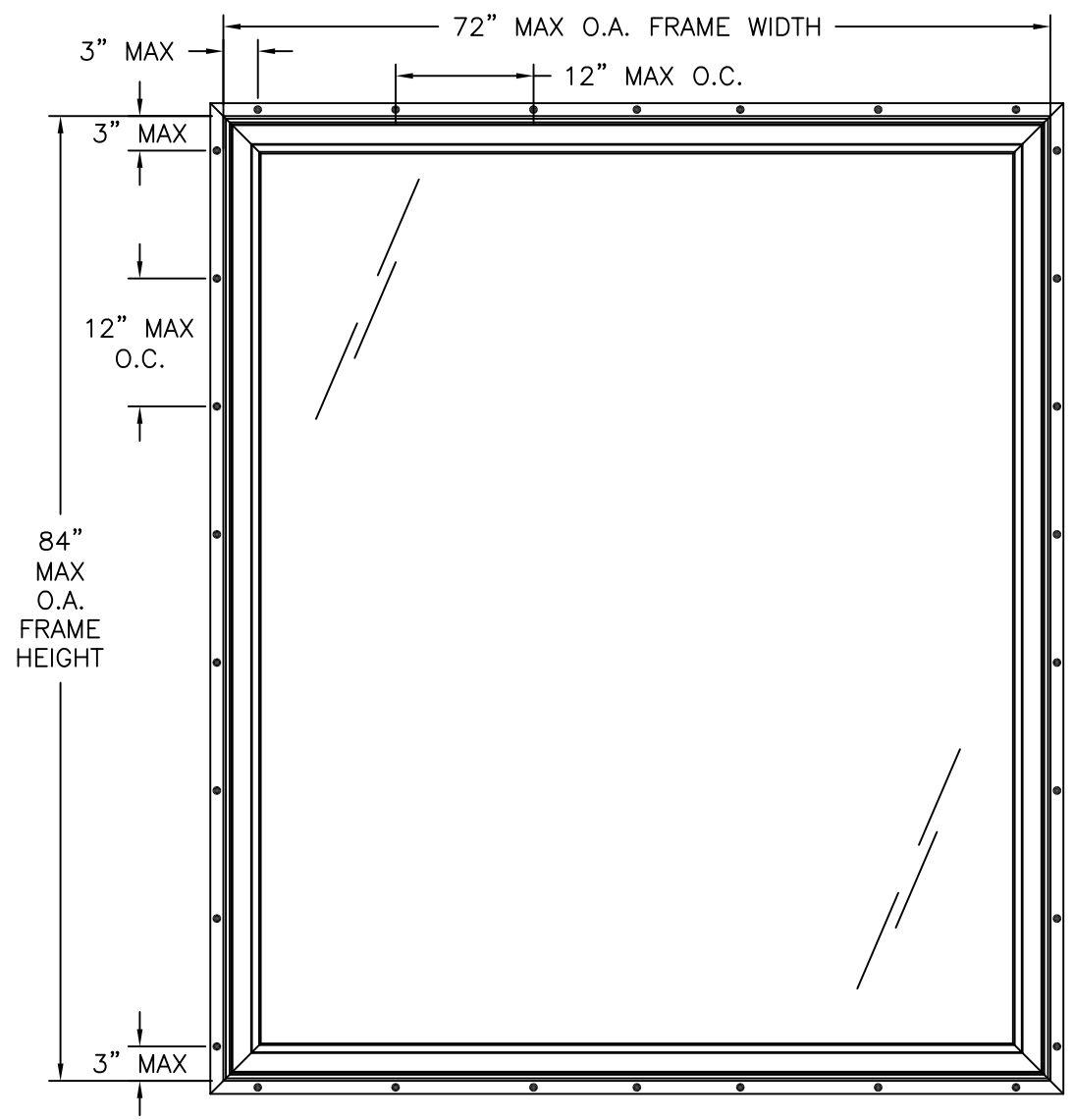
 Eastern ARCHITECTURAL SYSTEMS ALUMINUM AND VINYL IMPACT WINDOWS AND DOORS		EASTERN ARCHITECTURAL SYSTEMS A DIVISION OF EASTERN METAL SUPPLY 16341 DOMESTIC AVE FORT MYERS, FLORIDA 33912 800-432-2204
SERIES 176 PW FIXED WINDOW 72" x 84" IMPACT HVHZ NOTES		
DRAWN: V.L.	DWG NO. 08-02293	REV B
SCALE NTS	DATE 02/25/14	SHEET 1 OF 5



REVISIONS			
REV	DESCRIPTION	DATE	APPROVED
A	REMOVED FLUSH INSTALLATION	07/23/14	R.L.
B	REVISED INSTALLATION DETAILS	06/23/15	R.L.



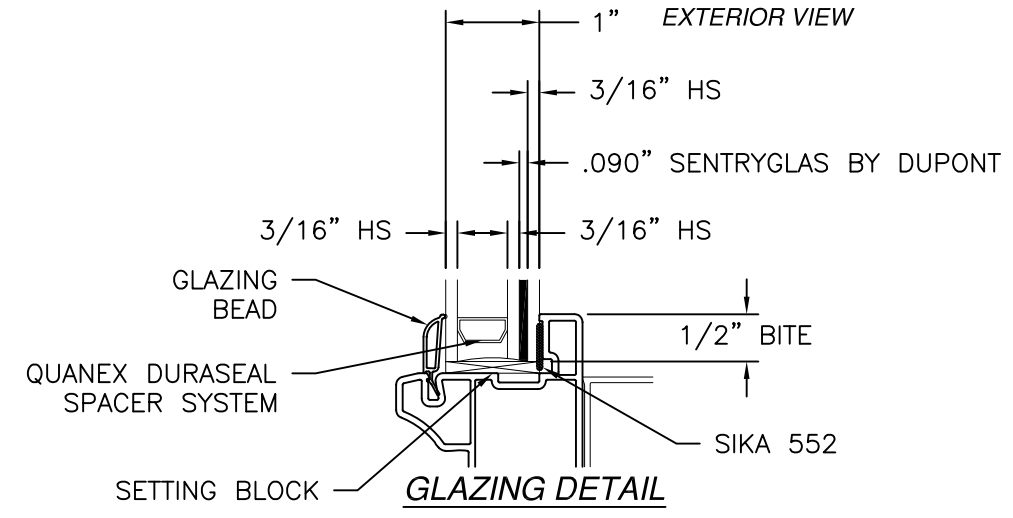
SERIES 176 PW FIXED WINDOW
FRAME INSTALLATION
EXTERIOR VIEW



SERIES 176 PW FIXED WINDOW
FIN INSTALLATION
EXTERIOR VIEW

DESIGN PRESSURE RATING	IMPACT RATING
± 80.0 PSF	LARGE MISSILE IMPACT

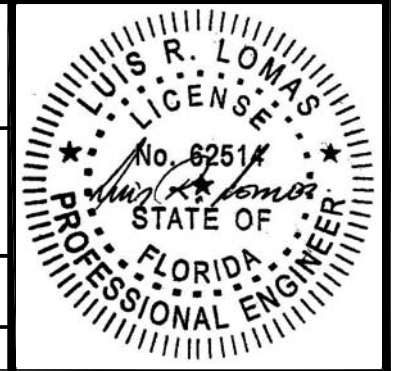
MISSILE LEVEL D, WIND ZONE 4 AND HVHZ

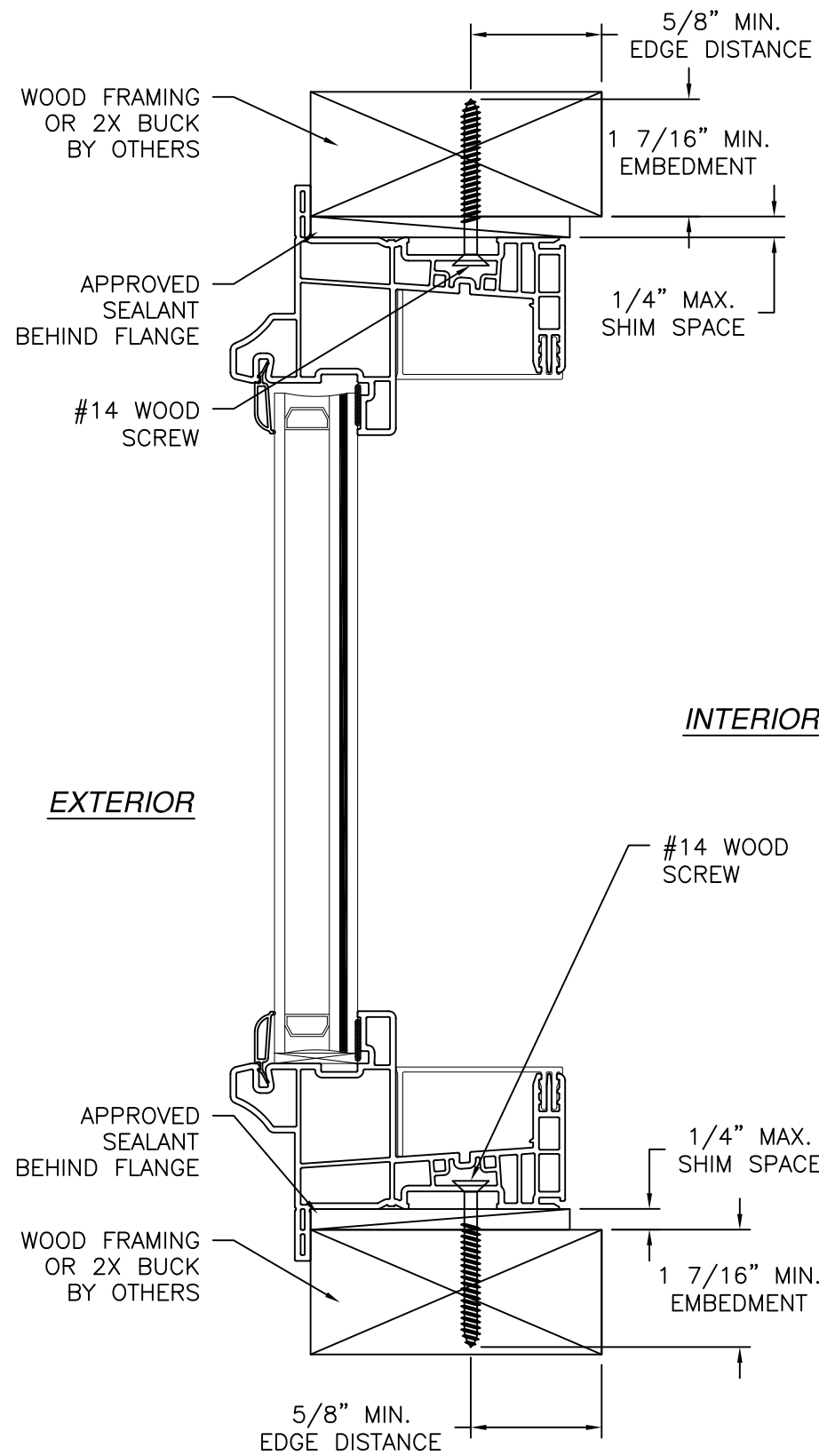


GLAZING DETAIL

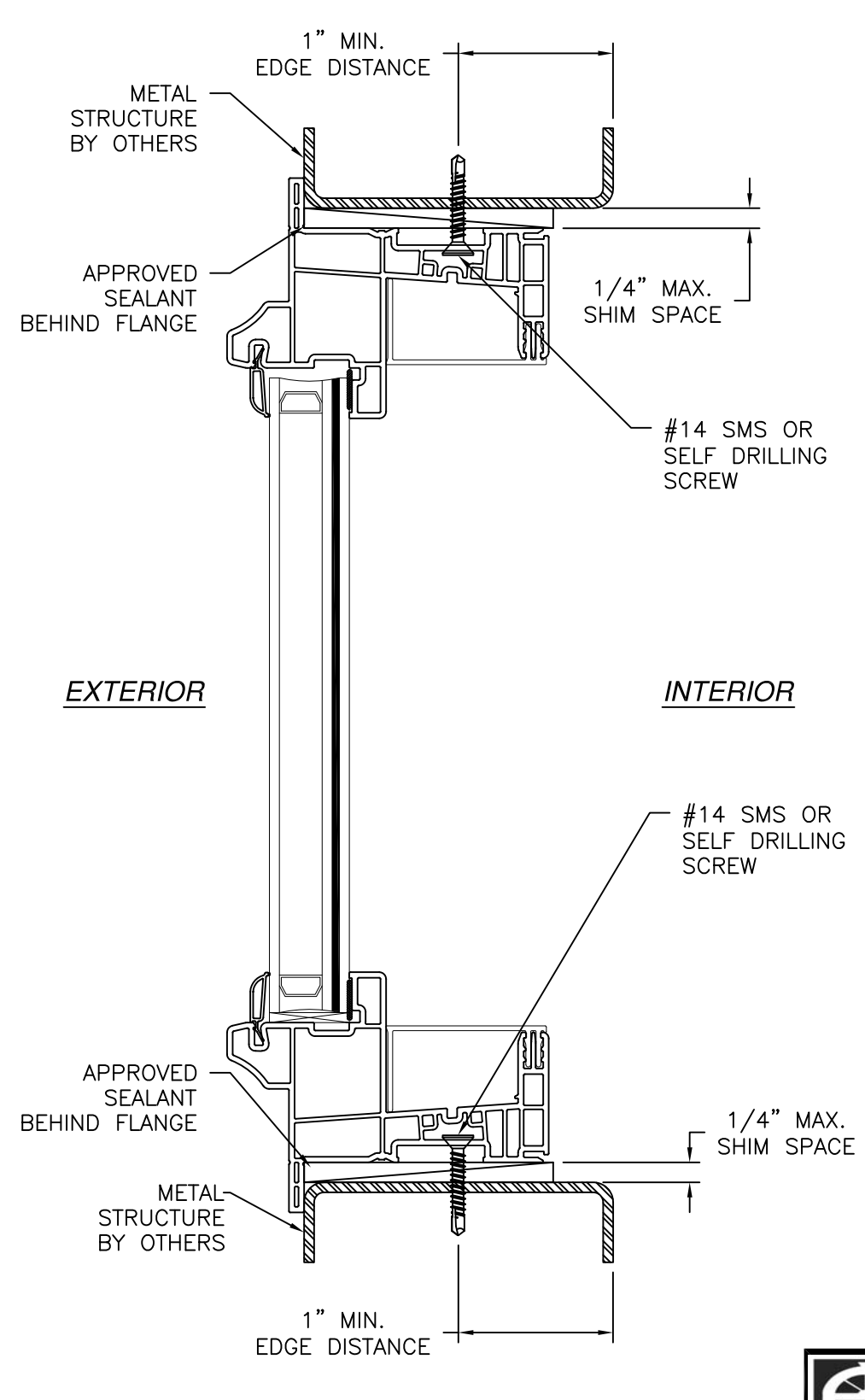
SIGNED: 04/11/2017

<p>Eastern ARCHITECTURAL SYSTEMS ALUMINUM AND VINYL IMPACT WINDOWS AND DOORS</p>	<p>EASTERN ARCHITECTURAL SYSTEMS A DIVISION OF EASTERN METAL SUPPLY</p> <p>16341 DOMESTIC AVE FORT MYERS, FLORIDA 33912 800-432-2204</p>	
	<p>SERIES 176 PW FIXED WINDOW 72" x 84" IMPACT HVHZ ELEVATIONS & GLAZING DETAIL</p>	
<p>DRAWN: V.L.</p>	<p>DWG NO. 08-02293</p>	<p>REV B</p>
<p>SCALE NTS</p>	<p>DATE 02/25/14</p>	<p>SHEET 2 OF 5</p>



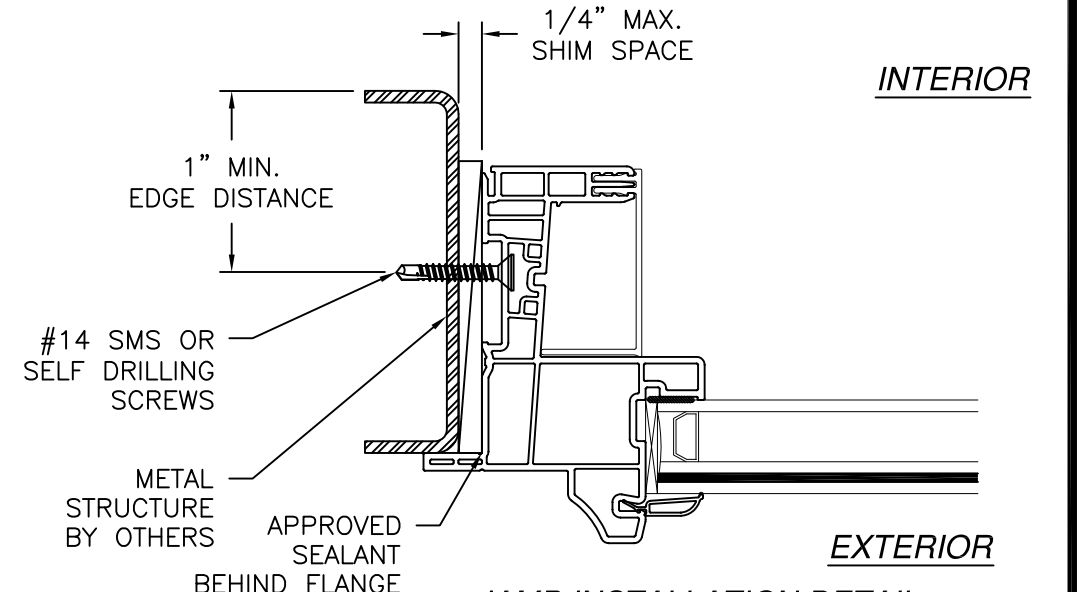


VERTICAL CROSS SECTION
WOOD FRAMING OR 2X BUCK INSTALLATION

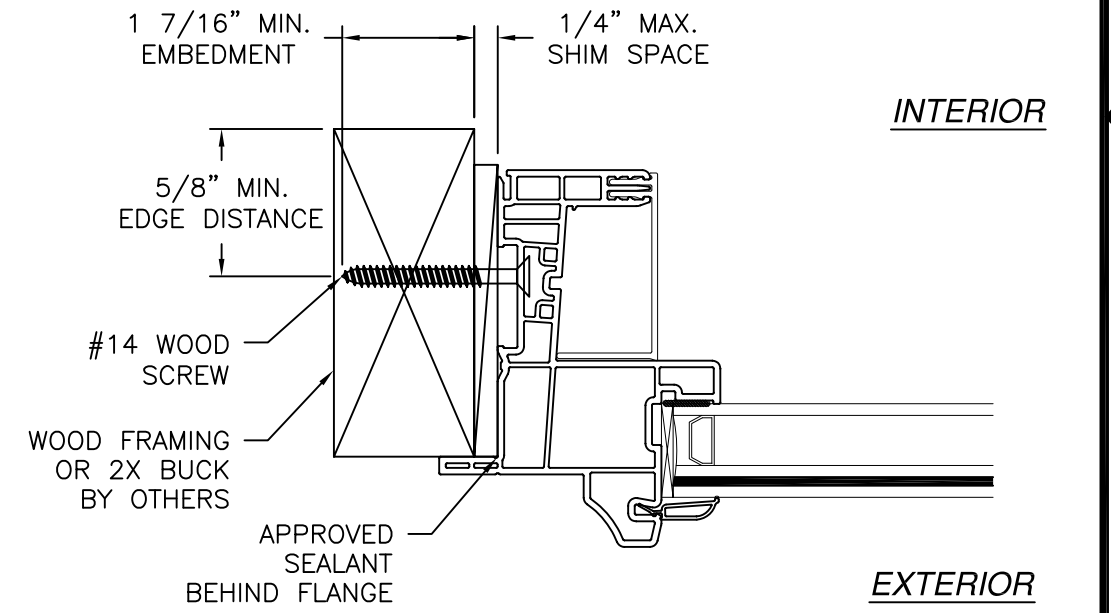


VERTICAL CROSS SECTION
METAL STRUCTURE INSTALLATION

REVISIONS			
REV	DESCRIPTION	DATE	APPROVED
A	REMOVED FLUSH INSTALLATION	07/23/14	R.L.
B	REVISED INSTALLATION DETAILS	06/23/15	R.L.



JAMB INSTALLATION DETAIL
METAL STRUCTURE INSTALLATION



JAMB INSTALLATION DETAIL
WOOD FRAMING OR 2X BUCK INSTALLATION
SIGNED: 04/11/2017

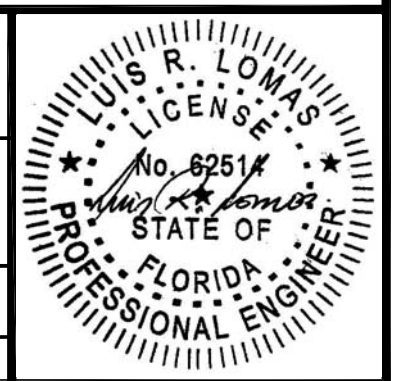
- NOTES:
1. INTERIOR AND EXTERIOR FINISHES, BY OTHERS, NOT SHOWN FOR CLARITY.
 2. PERIMETER AND JOINT SEALANT BY OTHERS TO BE DESIGNED IN ACCORDANCE WITH ASTM E2112

Eastern
ARCHITECTURAL SYSTEMS
ALUMINUM AND VINYL
IMPACT WINDOWS AND DOORS

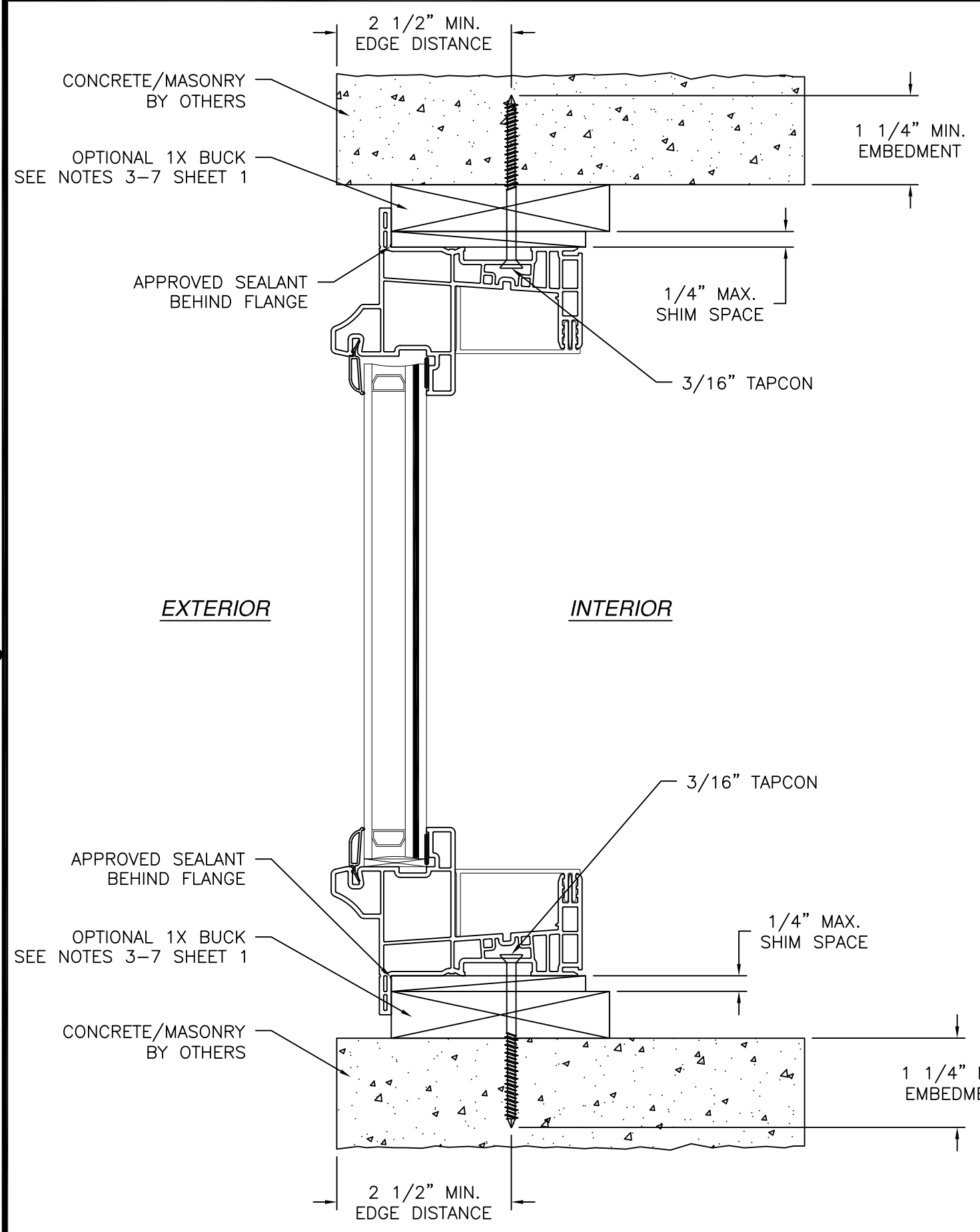
EASTERN ARCHITECTURAL SYSTEMS
A DIVISION OF
EASTERN METAL SUPPLY

16341 DOMESTIC AVE
FORT MYERS, FLORIDA 33912
800-432-2204

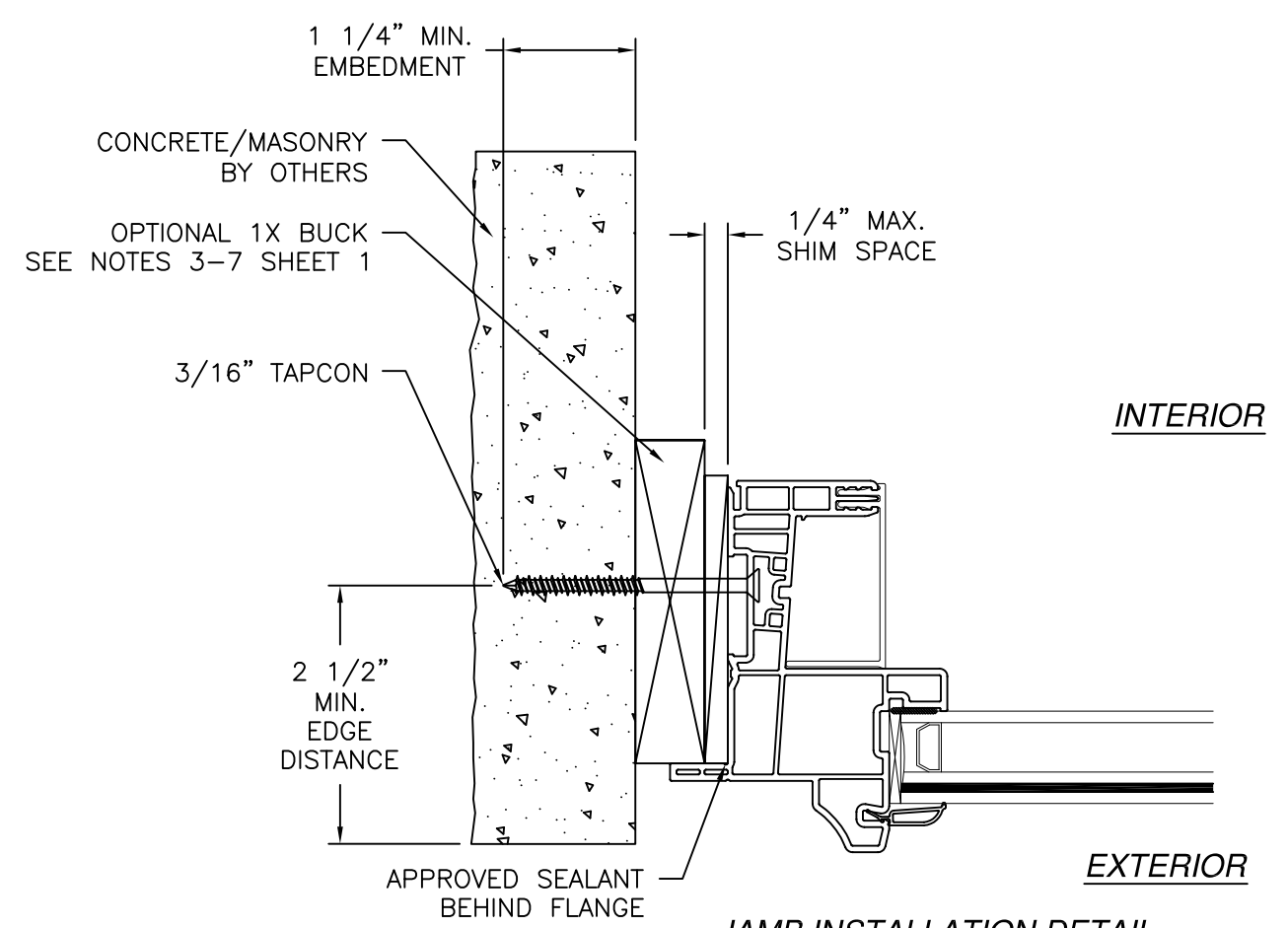
SERIES 176 PW FIXED WINDOW 72" x 84" IMPACT HVHZ FLANGE FRAME INSTALLATION DETAILS		
DRAWN: V.L.	DWG NO. 08-02293	REV B
SCALE NTS	DATE 02/25/14	SHEET 3 OF 5



REVISIONS			
REV	DESCRIPTION	DATE	APPROVED
A	REMOVED FLUSH INSTALLATION	07/23/14	R.L.
B	REVISED INSTALLATION DETAILS	06/23/15	R.L.



VERTICAL CROSS SECTION
CONCRETE/MASONRY INSTALLATION



JAMB INSTALLATION DETAIL
CONCRETE/MASONRY INSTALLATION

NOTES:
 1. INTERIOR AND EXTERIOR FINISHES, BY OTHERS, NOT SHOWN FOR CLARITY.
 2. PERIMETER AND JOINT SEALANT BY OTHERS TO BE DESIGNED IN ACCORDANCE WITH ASTM E2112

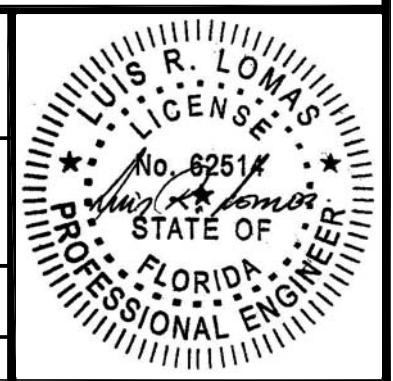
SIGNED: 04/11/2017

Eastern ARCHITECTURAL SYSTEMS
 ALUMINUM AND VINYL IMPACT WINDOWS AND DOORS
 EASTERN ARCHITECTURAL SYSTEMS
 A DIVISION OF
 EASTERN METAL SUPPLY
 16341 DOMESTIC AVE
 FORT MYERS, FLORIDA 33912
 800-432-2204

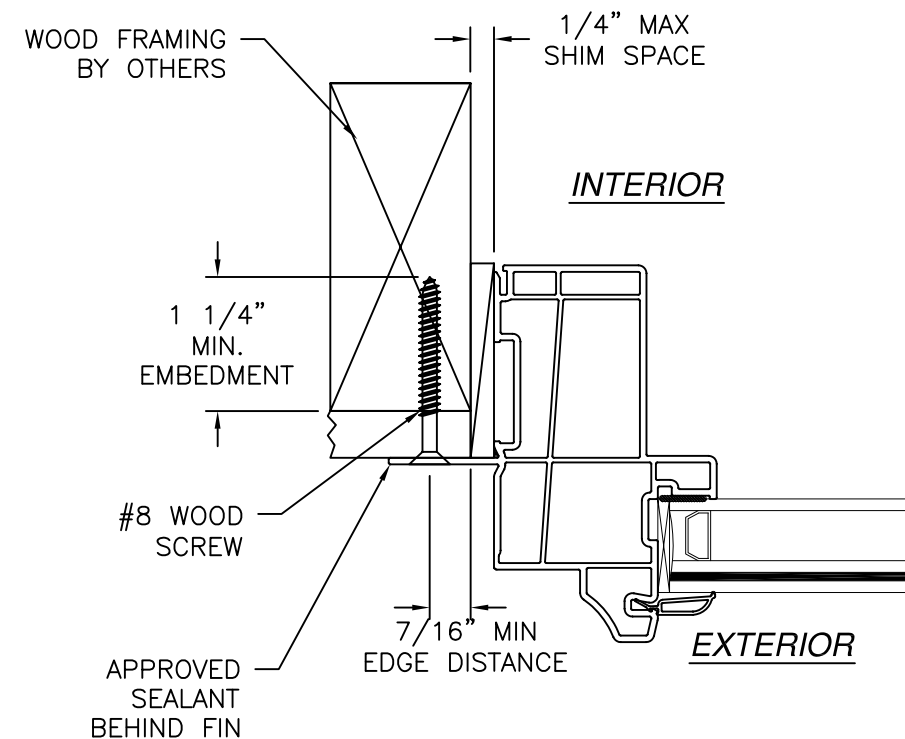
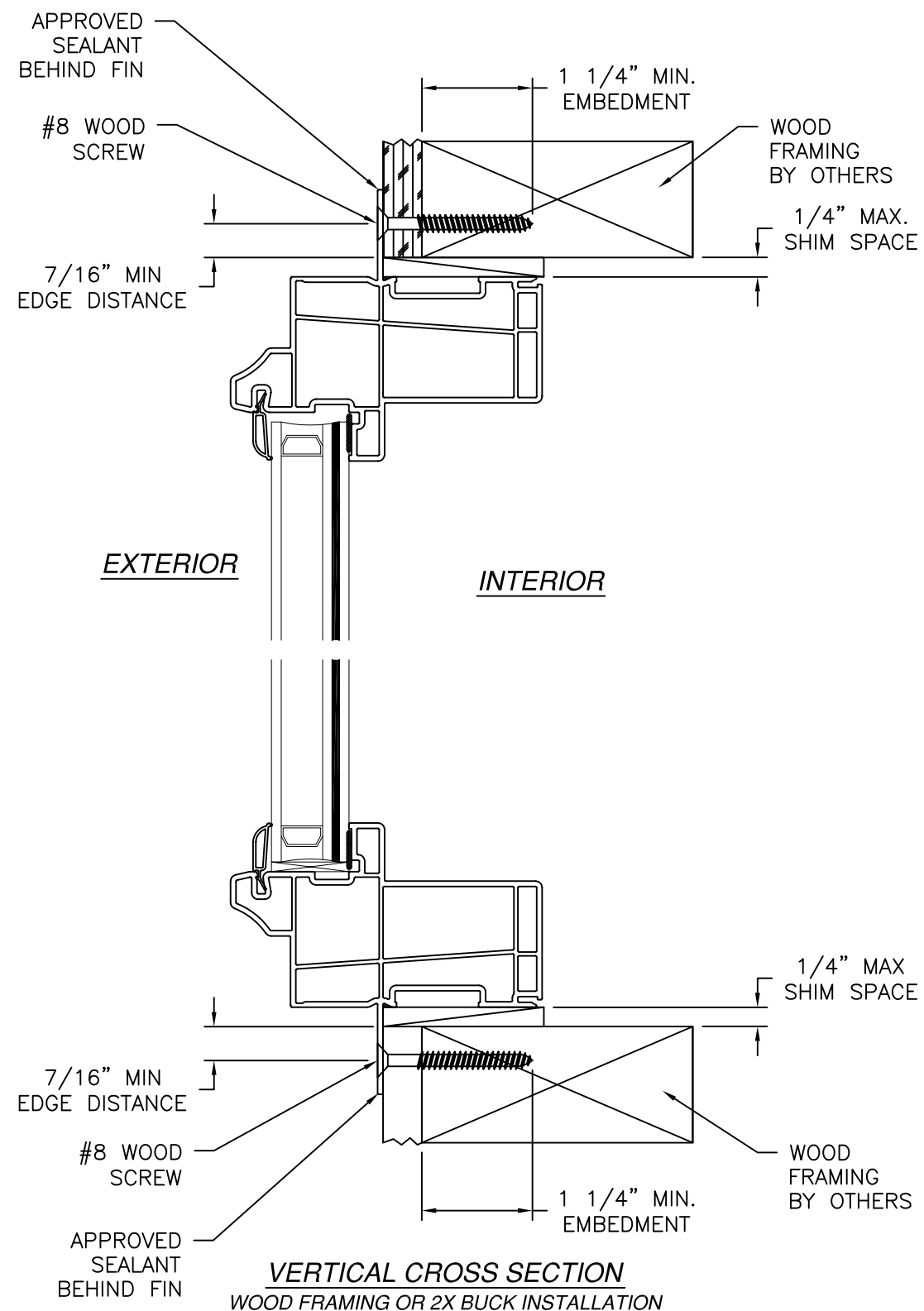
SERIES 176 PW FIXED WINDOW
 72" x 84" IMPACT HVHZ
 FLANGE FRAME INSTALLATION DETAILS

DRAWN: V.L. DWG NO. 08-02293 REV B

SCALE NTS DATE 02/25/14 SHEET 4 OF 5



REVISIONS			
REV	DESCRIPTION	DATE	APPROVED
A	REMOVED FLUSH INSTALLATION	07/23/14	R.L.
B	REVISED INSTALLATION DETAILS	06/23/15	R.L.

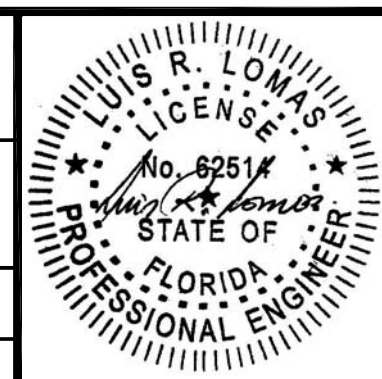


JAMB INSTALLATION DETAIL
WOOD FRAMING OR 2X BUCK INSTALLATION

- NOTES:**
1. INTERIOR AND EXTERIOR FINISHES, BY OTHERS, NOT SHOWN FOR CLARITY.
 2. PERIMETER AND JOINT SEALANT BY OTHERS TO BE DESIGNED IN ACCORDANCE WITH ASTM E2112

SIGNED: 04/11/2017

	Eastern ARCHITECTURAL SYSTEMS ALUMINUM AND VINYL IMPACT WINDOWS AND DOORS	EASTERN ARCHITECTURAL SYSTEMS A DIVISION OF EASTERN METAL SUPPLY 16341 DOMESTIC AVE FORT MYERS, FLORIDA 33912 800-432-2204
	SERIES 176 PW FIXED WINDOW 72" x 84" IMPACT HVHZ FIN INSTALLATION DETAILS	



DRAWN: V.L.	DWG NO. 08-02293	REV B
SCALE NTS	DATE 02/25/14	SHEET 5 OF 5