

SERIES 2456 FIXED WINDOW
EXTERIOR VIEW

DESIGN PRESSURE RATING	IMPACT RATING
±50.0PSF	LARGE AND SMALL MISSILE IMPACT

REVISIONS			
REV	DESCRIPTION	DATE	APPROVED
A	MANUFACTURER'S NAME CHANGE	03/03/09	R.L.
B	UPDATED PER NEW CERTIFICATION	06/26/14	R.L.
C	ADDRESS CHANGED	06/22/15	R.L.

NOTES:

- 1) THE PRODUCT SHOWN HERE IN IS DESIGNED AND MANUFACTURED TO COMPLY WITH THE CURRENT FLORIDA BUILDING CODE.
- 2) WOOD FRAMING AND MASONRY OPENING TO BE DESIGNED AND ANCHORED TO PROPERLY TRANSFER ALL LOADS TO STRUCTURE. FRAMING AND MASONRY OPENING IS THE RESPONSIBILITY OF THE ARCHITECT OR ENGINEER OF RECORD.
- 3) CONTRACTOR IS RESPONSIBLE FOR MAINTAINING STRUCTURAL INTEGRITY OF WINDOW OPENING AND ALL WOOD FRAMING AROUND WINDOW.
- 4) UNITS MUST BE GLAZED PER ASTM E1300-04, SEE SHEET 2 FOR DETAILS.
- 5) APPROVED IMPACT PROTECTIVE SYSTEM IS NOT REQUIRED FOR THIS PRODUCT IN WIND BORNE DEBRIS REGIONS.
- 6) SHIM AS REQUIRED AT EACH INSTALLATION ANCHOR WITH LOAD BEARING SHIM. SHIM WHERE SPACE OF 1/16" OR GREATER OCCURS. MAXIMUM ALLOWABLE SHIM STACK TO BE 1/4".
- 7) FOR INSTALLATION INTO WOOD FRAMING OR 2X BUCK USE #8 WOOD SCREW WITH SUFFICIENT LENGTH TO ACHIEVE A 1 1/4" MINIMUM EMBEDMENT INTO SUBSTRATE. LOCATE ANCHORS AS SHOWN IN ELEVATIONS AND INSTALLATION DETAILS.
- 8) ALL FASTENERS TO BE CORROSION RESISTANT.
- 9) INSTALLATION ANCHORS SHALL BE INSTALLED IN ACCORDANCE WITH ANCHOR MANUFACTURER'S INSTALLATION INSTRUCTIONS, AND ANCHORS SHALL NOT BE USED IN SUBSTRATES WITH STRENGTHS LESS THAN THE MINIMUM STRENGTH SPECIFIED BELOW:
A. WOOD - MINIMUM SPECIFIC GRAVITY OF G=0.42
- 10) ALLOWABLE STRESS INCREASE OF 1/3 WAS NOT USED IN THE DESIGN OF THE PRODUCT SHOWN HEREIN. WIND LOAD DURATION FACTOR Cd=1.6 WAS USED FOR WOOD ANCHOR CALCULATIONS.
- 11) FRAME MATERIAL: RIGID PVC
- 12) GEOMETRIC SHAPES ARE ALSO APPROVED. APPROVED GEOMETRIC SHAPES DIMENSIONS SHALL NOT EXCEED INSCRIBED DIMENSIONS OF APPROVED RECTANGULAR ASSEMBLY SHOWN IN SHEET 2. GEOMETRIC SHAPES ARE NOT LIMITED TO SHAPES SHOWN HEREIN.

SIGNED: 06/23/2015

Eastern
ARCHITECTURAL SYSTEMS
ALUMINUM AND VINYL
IMPACT WINDOWS AND DOORS

EASTERN ARCHITECTURAL SYSTEMS
A DIVISION OF
EASTERN METAL SUPPLY
16341 DOMESTIC AVE
FORT MYERS, FLORIDA 33912
800-432-2204

SERIES 2456 VINYL IMPACT FIXED WINDOW
64" x 84"
ELEVATION AND GENERAL NOTES

DRAWN: A.M	DWG NO. 08-00563	REV C
SCALE NTS	DATE 7/29/08	SHEET 1 OF 2

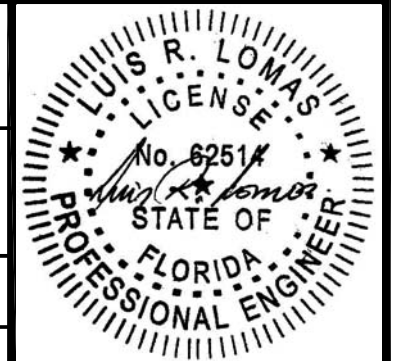
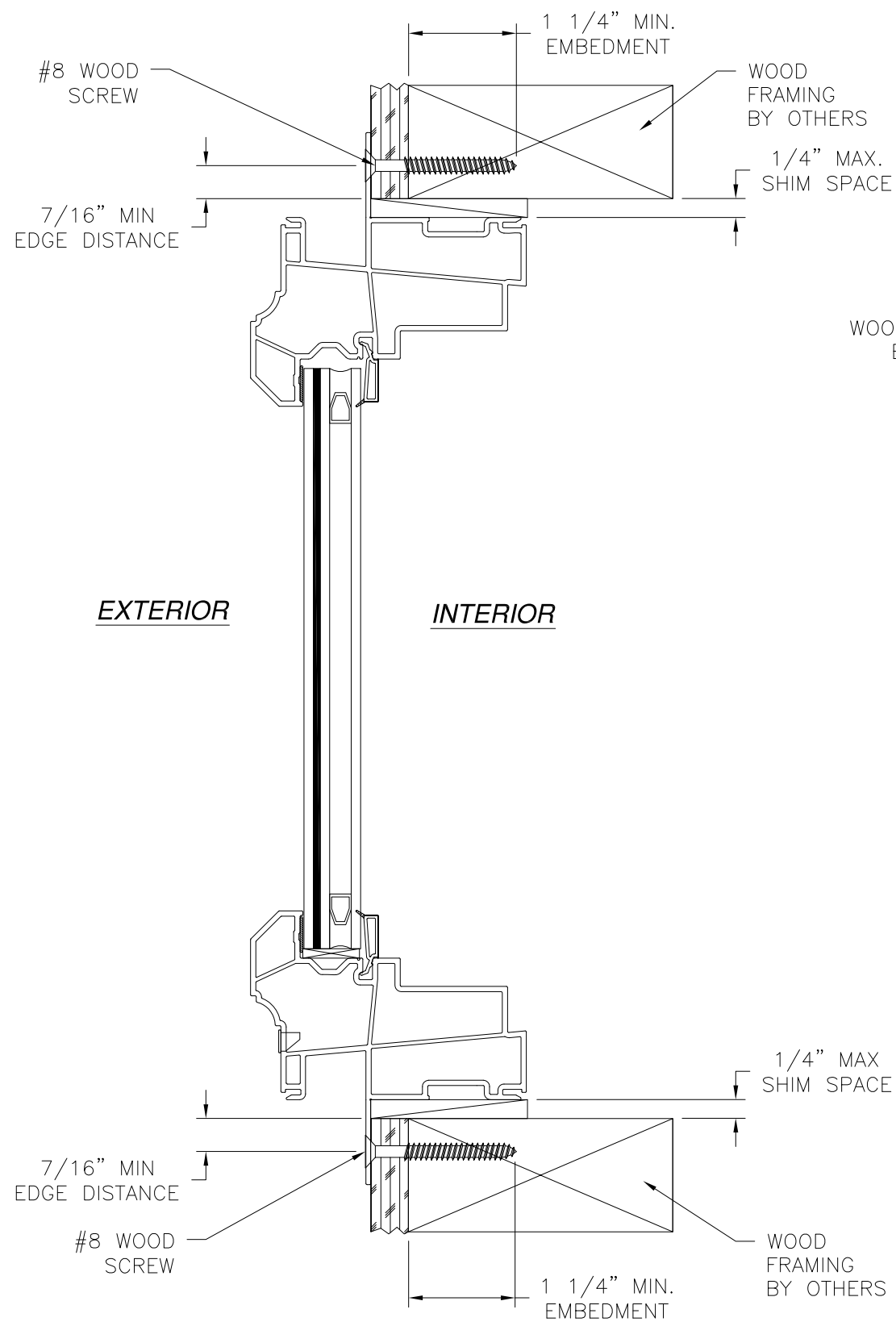
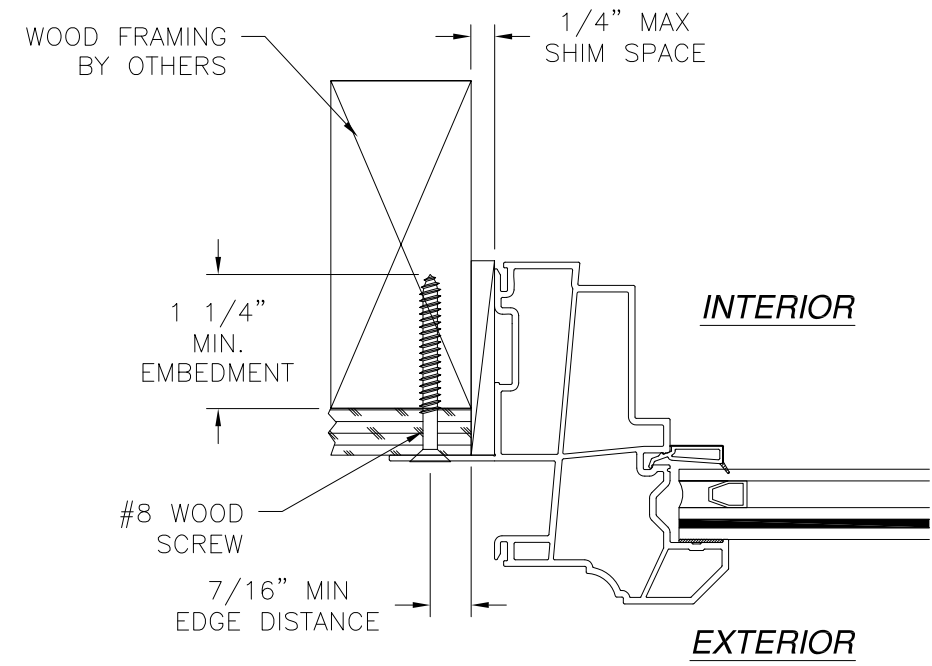


TABLE OF CONTENTS	
SHEET NO.	DESCRIPTION
1	ELEVATION AND GENERAL NOTES
2	INSTALLATION DETAILS

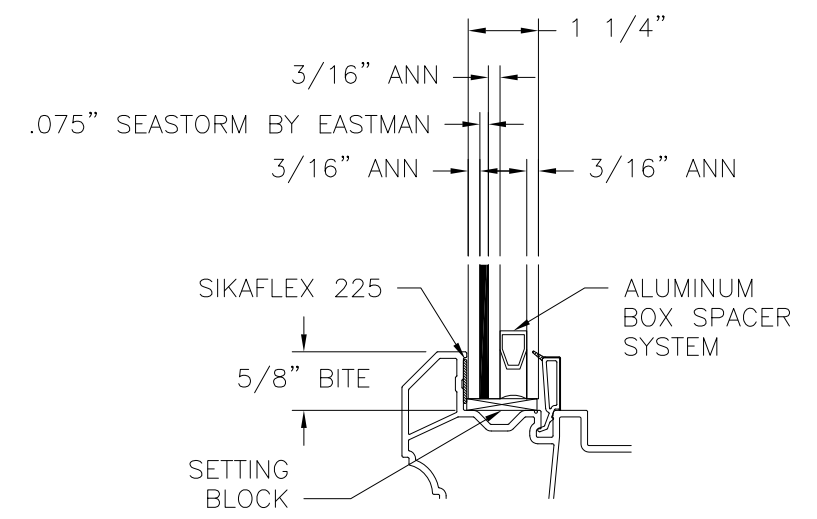
REVISIONS			
REV	DESCRIPTION	DATE	APPROVED
A	MANUFACTURER'S NAME CHANGE	03/03/09	R.L.
B	UPDATED PER NEW CERTIFICATION	06/26/14	R.L.
C	ADDRESS CHANGED	06/22/15	R.L.



VERTICAL CROSS SECTION
WOOD FRAMING OR 2X BUCK INSTALLATION



JAMB INSTALLATION DETAIL
WOOD FRAMING OR 2X BUCK INSTALLATION



GLAZING DETAIL

NOTES:
 1. INTERIOR AND EXTERIOR FINISHES, BY OTHERS, NOT SHOWN FOR CLARITY.
 2. PERIMETER AND JOINT SEALANT BY OTHERS TO BE DESIGNED IN ACCORDANCE WITH ASTM E2112

SIGNED: 06/23/2015

 Eastern ARCHITECTURAL SYSTEMS ALUMINUM AND VINYL IMPACT WINDOWS AND DOORS	EASTERN ARCHITECTURAL SYSTEMS A DIVISION OF EASTERN METAL SUPPLY 16341 DOMESTIC AVE FORT MYERS, FLORIDA 33912 800-432-2204	
	SERIES 2456 VINYL IMPACT FIXED WINDOW 64" x 84" INSTALLATION DETAILS	
DRAWN: A.M	DWG NO. 08-00563	REV C
SCALE NTS	DATE 7/29/08	SHEET 2 OF 2

