

REVISIONS			
REV	DESCRIPTION	DATE	APPROVED

NOTES:

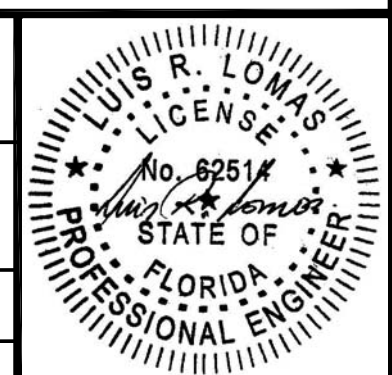
1. THE PRODUCT SHOWN HEREIN IS DESIGNED AND MANUFACTURED TO COMPLY WITH REQUIREMENTS OF THE FLORIDA BUILDING.
2. WOOD FRAMING AND MASONRY OPENING TO BE DESIGNED AND ANCHORED TO PROPERLY TRANSFER ALL LOADS TO STRUCTURE. FRAMING AND MASONRY OPENING IS THE RESPONSIBILITY OF THE ARCHITECT OR ENGINEER OF RECORD.
3. 1X BUCK OVER MASONRY/CONCRETE IS OPTIONAL.
4. WHERE SHIM OR BUCK THICKNESS IS LESS THAN 1-1/2" WINDOW UNITS MUST BE ANCHORED THROUGH THE FRAME IN ACCORDANCE WITH MANUFACTURER'S PUBLISHED INSTALLATION INSTRUCTIONS. ANCHORS SHALL BE SECURELY FASTENED DIRECTLY INTO MASONRY, CONCRETE OR OTHER STRUCTURAL SUBSTRATE MATERIAL.
5. WHERE WOOD BUCK THICKNESS IS 1-1/2" OR GREATER, BUCK SHALL BE SECURELY FASTENED TO MASONRY, CONCRETE OR OTHER STRUCTURAL SUBSTRATE. WINDOW UNITS MAY BE ANCHORED THROUGH FRAME TO SECURED WOOD BUCK IN ACCORDANCE WITH MANUFACTURER'S PUBLISHED INSTALLATION INSTRUCTIONS.
6. WHERE 1X BUCK IS NOT USED DISSIMILAR MATERIALS MUST BE SEPARATED WITH APPROVED COATING OR MEMBRANE. SELECTION OF COATING OR MEMBRANE IS THE RESPONSIBILITY OF THE ARCHITECT OR ENGINEER OF RECORD.
7. BUCKS SHALL EXTEND BEYOND WINDOW INTERIOR FACE SO THAT FULL FRAME SUPPORT IS PROVIDED.
8. SHIM AS REQUIRED AT EACH ANCHOR LOCATION WITH LOAD BEARING SHIM. SHIM WHERE SPACE OF 1/16" OR GREATER OCCURS. MAXIMUM ALLOWABLE SHIM STACK TO BE 1/4".
9. SHIMS SHALL BE LOCATED, APPLIED AND MADE FROM MATERIALS AND THICKNESS CAPABLE OF SUSTAINING APPLICABLE LOADS.
10. WIND LOAD DURATION FACTOR Cd=1.6 WAS USED FOR WOOD ANCHOR CALCULATIONS.
11. FRAME MATERIAL: EXTRUDED RIGID PVC.
12. UNITS MUST BE GLAZED PER ASTM E1300-04/09, SEE SHEET 2 FOR GLASS DETAILS.
13. APPROVED IMPACT PROTECTIVE SYSTEM IS NOT REQUIRED FOR THIS PRODUCT IN WIND BORNE DEBRIS REGIONS.
14. FOR ANCHORING INTO WOOD FRAMING OR 2X BUCK USE #10 WOOD SCREWS WITH SUFFICIENT LENGTH TO ACHIEVE A 1 3/8" MINIMUM EMBEDMENT INTO SUBSTRATE. LOCATE ANCHORS AS SHOWN IN ELEVATIONS AND INSTALLATION DETAILS.

15. FOR ANCHORING INTO MASONRY/CONCRETE USE 3/16" TAPCONS WITH SUFFICIENT LENGTH TO ACHIEVE A 1 1/4" MINIMUM EMBEDMENT INTO SUBSTRATE WITH 2 1/2" MINIMUM EDGE DISTANCE. LOCATE ANCHORS AS SHOWN IN ELEVATIONS AND INSTALLATION DETAILS.
16. FOR ANCHORING INTO METAL STRUCTURE USE #10 SMS OR SELF DRILLING SCREWS WITH SUFFICIENT LENGTH TO ACHIEVE 3 THREADS MINIMUM BEYOND STRUCTURE INTERIOR WALL. LOCATE ANCHORS AS SHOWN IN ELEVATIONS AND INSTALLATION DETAILS.
17. ALL FASTENERS TO BE CORROSION RESISTANT.
18. INSTALLATION ANCHORS SHALL BE INSTALLED IN ACCORDANCE WITH ANCHOR MANUFACTURER'S INSTALLATION INSTRUCTIONS AND ANCHORS SHALL NOT BE USED IN SUBSTRATES WITH STRENGTHS LESS THAN THE MINIMUM STRENGTH SPECIFIED BELOW:
 - A. WOOD - MINIMUM SPECIFIC GRAVITY OF G=0.42
 - B. CONCRETE - MINIMUM COMPRESSIVE STRENGTH OF 3,000 PSI.
 - C. MASONRY - STRENGTH CONFORMANCE TO ASTM C-90, WITH Fm= 2,000 PSI.
 - D. METAL STRUCTURE: STEEL 18GA (.048"), 33KSI OR ALUMINUM 6063-T5 .048" THICK MINIMUM

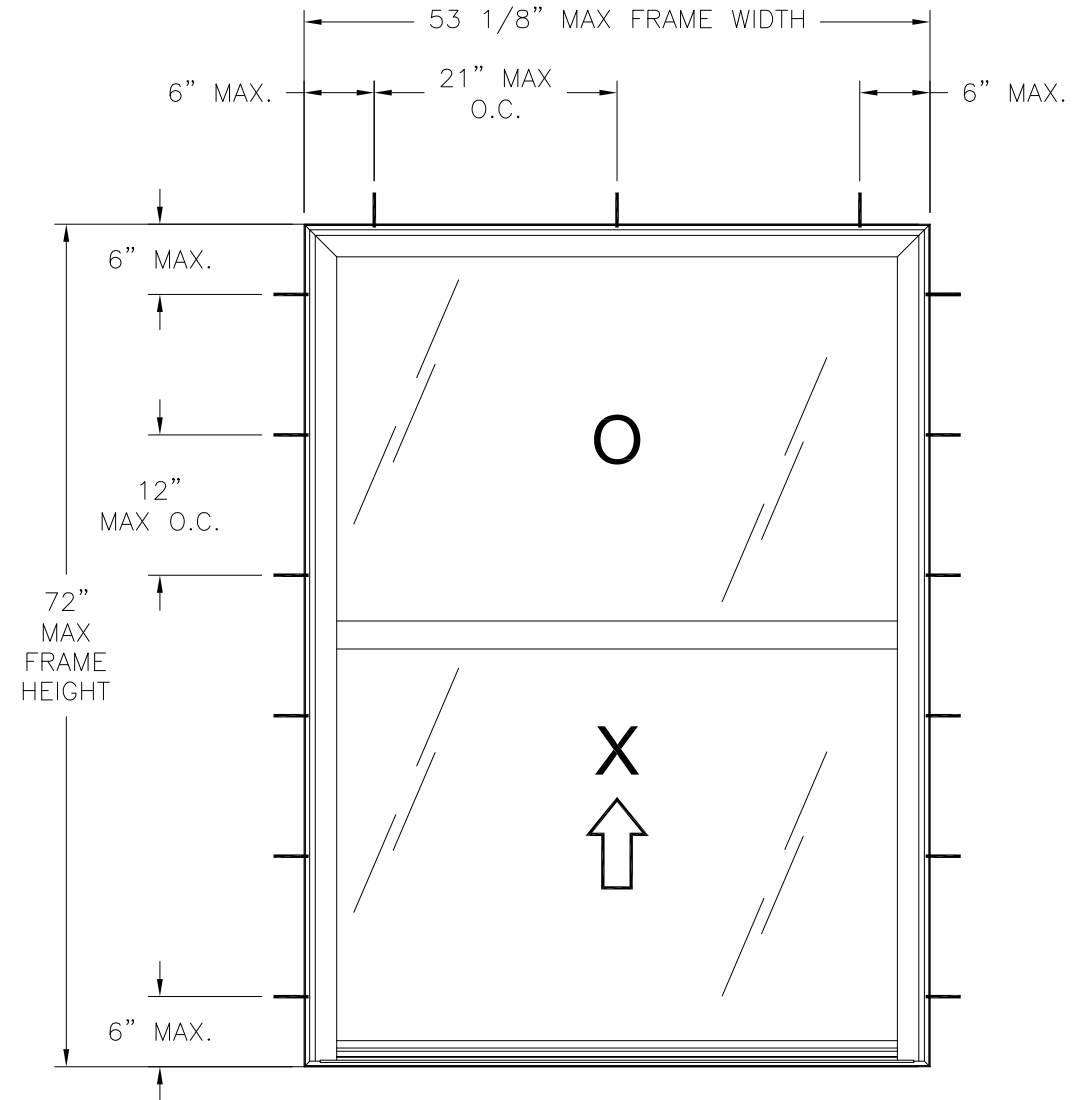
SIGNED: 05/25/2016

TABLE OF CONTENTS	
SHEET NO.	DESCRIPTION
1	NOTES
2	ELEVATION
3 - 5	INSTALLATION DETAILS

		EASTERN ARCHITECTURAL SYSTEMS A DIVISION OF EASTERN METAL SUPPLY 16341 DOMESTIC AVE FORT MYERS, FL 33912 800-432-2204	
SERIES 2461 VINYL EQUAL LEG FRAME IMPACT SINGLE HUNG WINDOW - 53 1/8" X 72" NOTES			
DRAWN:		DWG NO.	
N.G.		08-02915	
SCALE NTS		DATE 05/24/16	
		SHEET 1 OF 5	



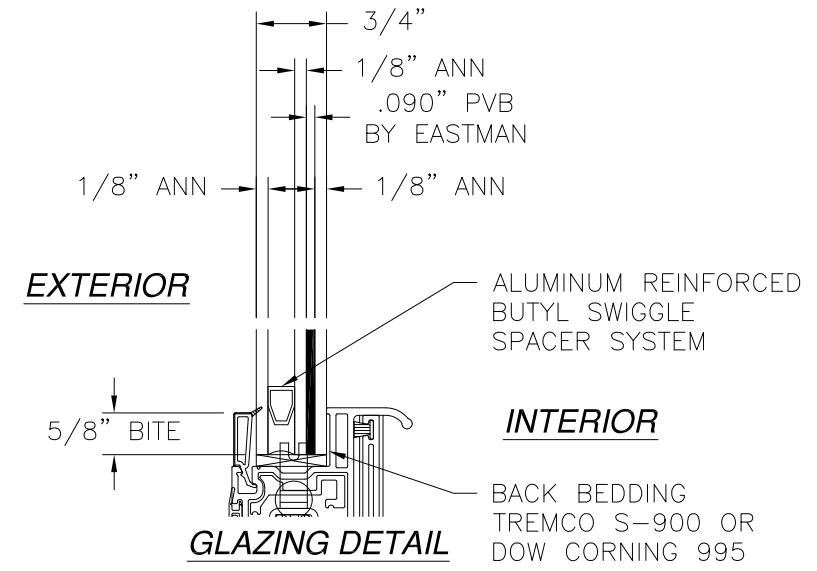
REVISIONS			
REV	DESCRIPTION	DATE	APPROVED



SERIES 2461 SINGLE HUNG WINDOW
EXTERIOR VIEW

DESIGN PRESSURE RATING	IMPACT RATING
±50.0PSF	LARGE AND SMALL MISSILE IMPACT

- NOTES:
1. MAXIMUM SASH SIZE: 51" X 34 1/2"
 2. MAXIMUM D.L.O.: 48 1/8" X 32 5/8"
 3. (2) 1" X 1/8" WEEP SLOTS AT 3 1/2" FROM EACH CORNER OF JAMB AND SILL.



EXTERIOR

INTERIOR

GLAZING DETAIL

HARDWARE SCHEDULE

A.	(2) FS-550 SPRING LOADED BALANCE SYSTEM AT EACH JAMB
B.	(2) METALLIC TILT LATCH SPRING LOADED AT 1 1/2" FROM EACH SASH TOP RAIL
C.	(2) ALUMINUM IMPACT CLIP REINFORCEMENT AT 1 1/2" FROM EACH SASH TOP RAIL
D.	(2) CAST ALUMINUM CAM LOCKS AT 10" FROM EACH JAMB ON SASH TOP RAIL
E.	EXTRUDED ALUMINUM REINFORCEMENT AT FIXED MEETING RAIL
F.	EXTRUDED ALUMINUM REINFORCEMENT AT SASH STILES & RAILS
G.	(2) METALLIC SILL INTERLOCKS AT FRAME SILL 15" FROM EACH SILL CORNER

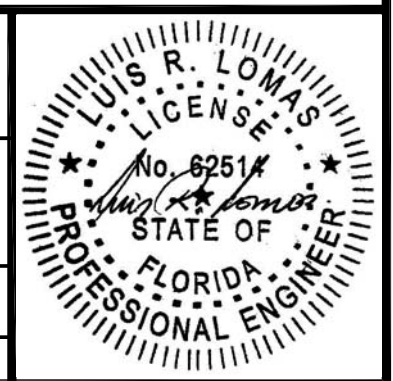
SIGNED: 05/25/2016

Eastern
ARCHITECTURAL SYSTEMS
ALUMINUM AND VINYL
IMPACT WINDOWS AND DOORS

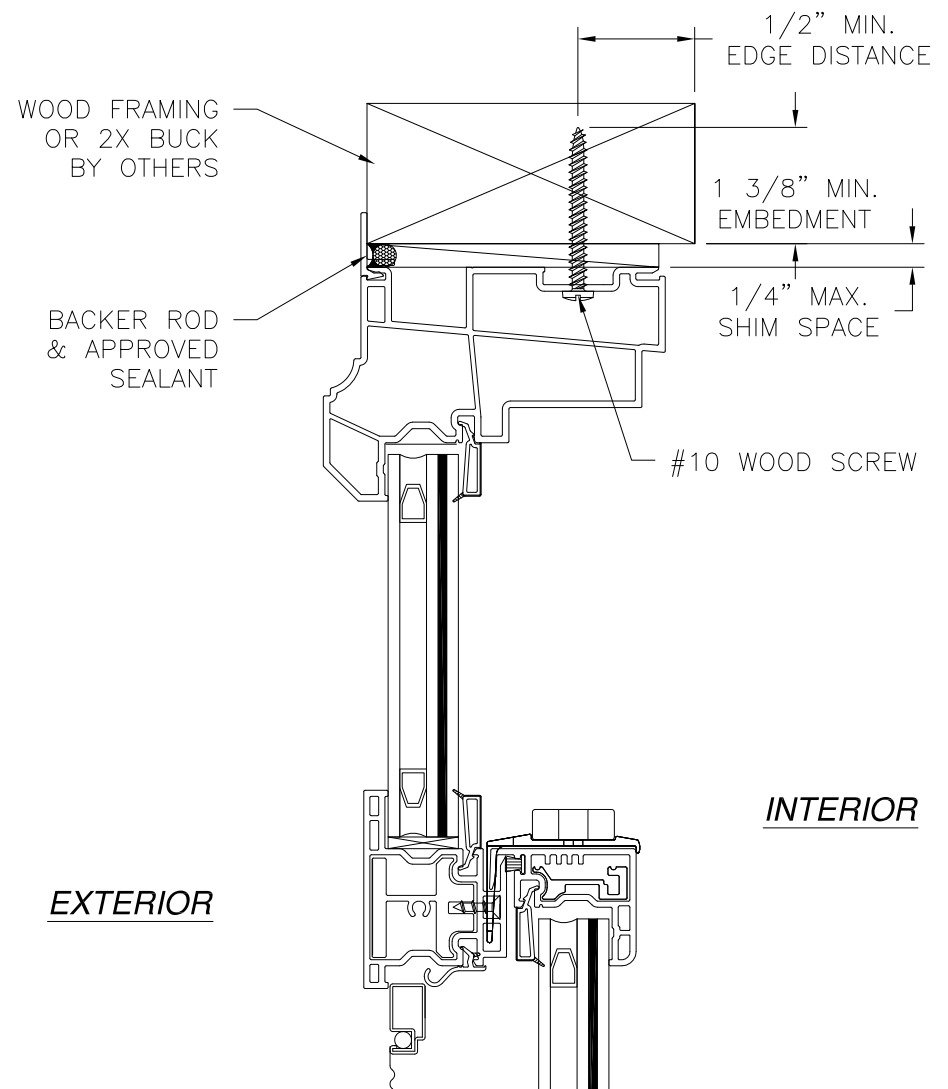
EASTERN ARCHITECTURAL SYSTEMS
A DIVISION OF
EASTERN METAL SUPPLY
16341 DOMESTIC AVE
FORT MYERS, FL 33912
800-432-2204

SERIES 2461 VINYL EQUAL LEG FRAME IMPACT
SINGLE HUNG WINDOW - 53 1/8" X 72"
ELEVATION

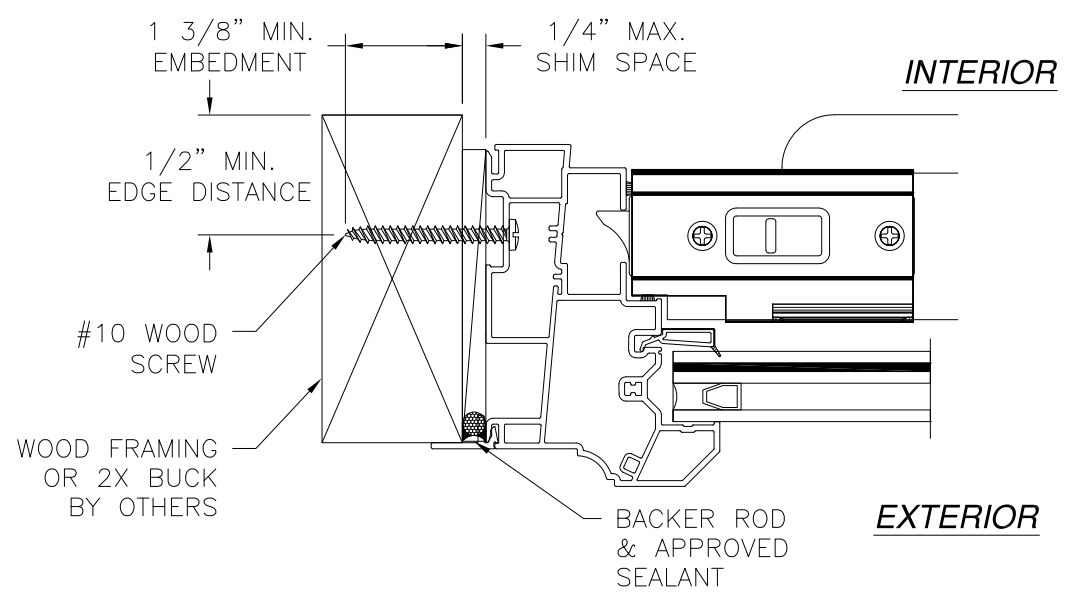
DRAWN: N.G.	DWG NO. 08-02915	REV -
SCALE NTS	DATE 05/24/16	SHEET 2 OF 5



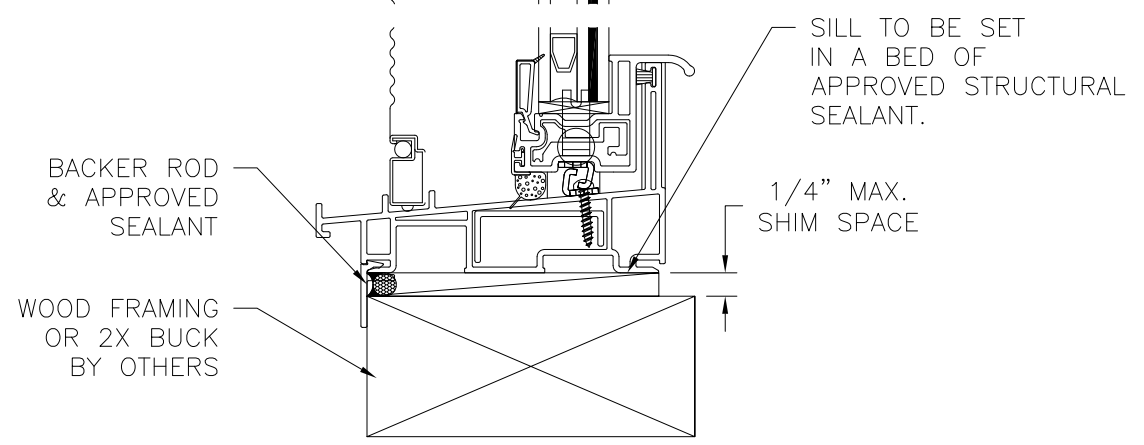
REVISIONS			
REV	DESCRIPTION	DATE	APPROVED



VERTICAL CROSS SECTION
WOOD FRAMING OR 2X BUCK INSTALLATION



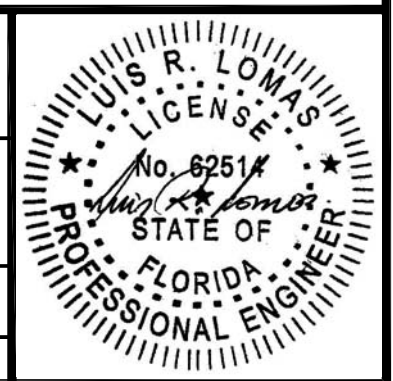
JAMB INSTALLATION DETAIL
WOOD FRAMING OR 2X BUCK INSTALLATION



NOTES:
 1. INTERIOR AND EXTERIOR FINISHES, BY OTHERS, NOT SHOWN FOR CLARITY.
 2. PERIMETER AND JOINT SEALANT BY OTHERS TO BE DESIGNED IN ACCORDANCE WITH ASTM E2112

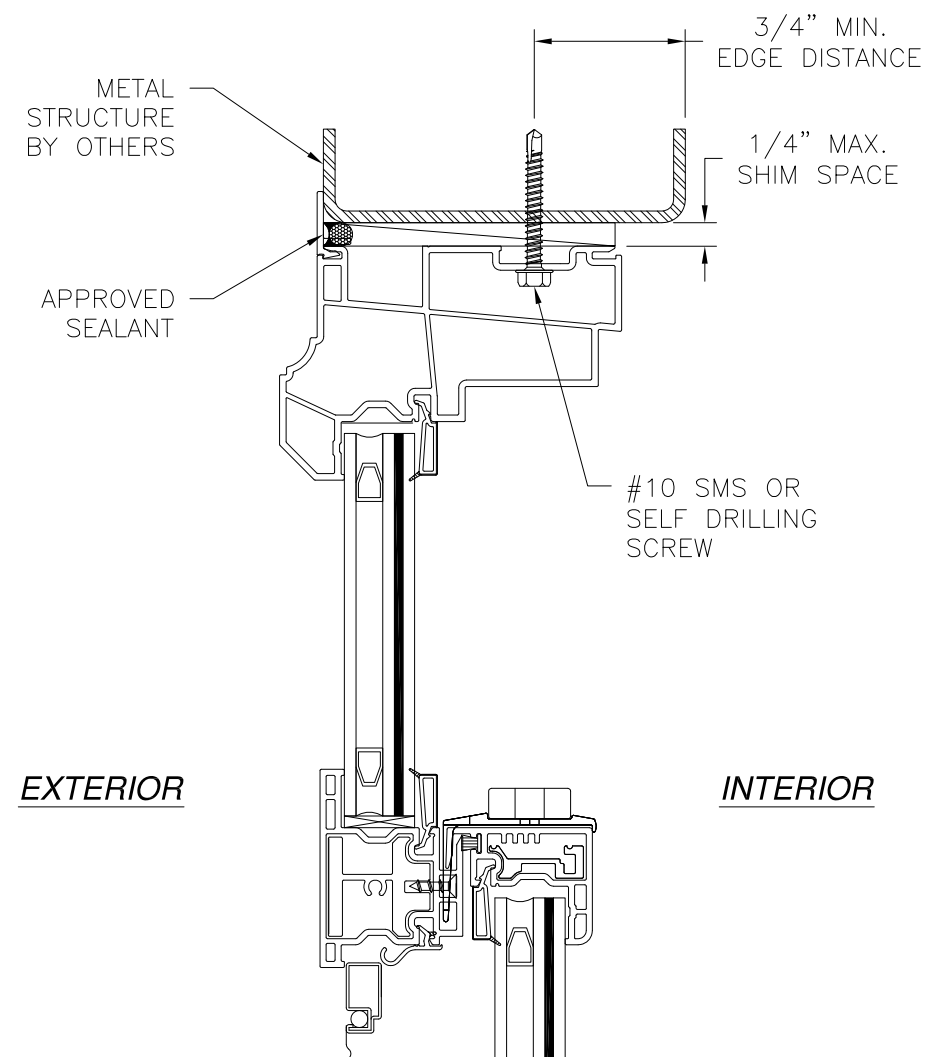
SIGNED: 05/25/2016

Eastern ARCHITECTURAL SYSTEMS
 A DIVISION OF EASTERN METAL SUPPLY
 16341 DOMESTIC AVE
 FORT MYERS, FL 33912
 800-432-2204

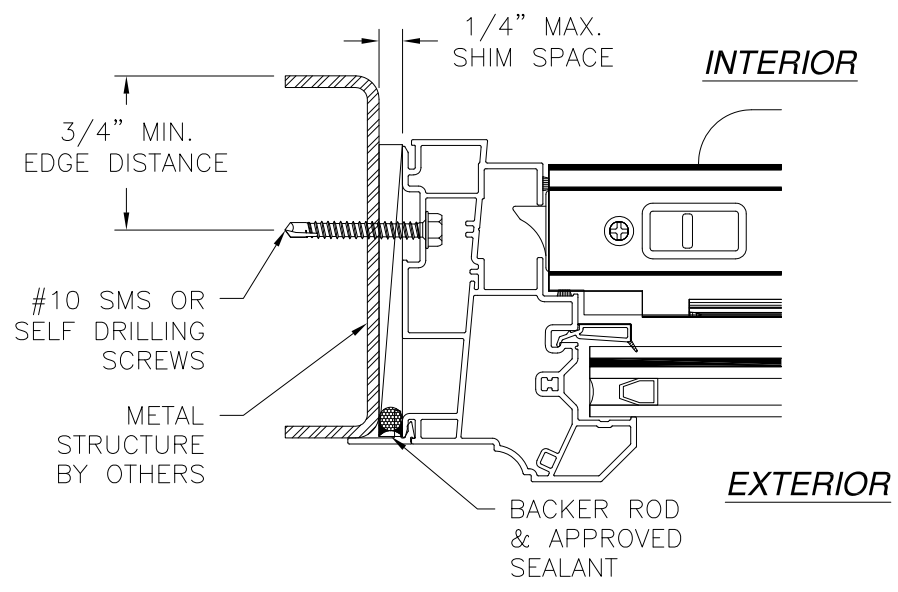


SERIES 2461 VINYL EQUAL LEG FRAME IMPACT SINGLE HUNG WINDOW - 53 1/8" X 72" INSTALLATION DETAILS		
DRAWN: N.G.	DWG NO. 08-02915	REV -
SCALE NTS	DATE 05/24/16	SHEET 3 OF 5

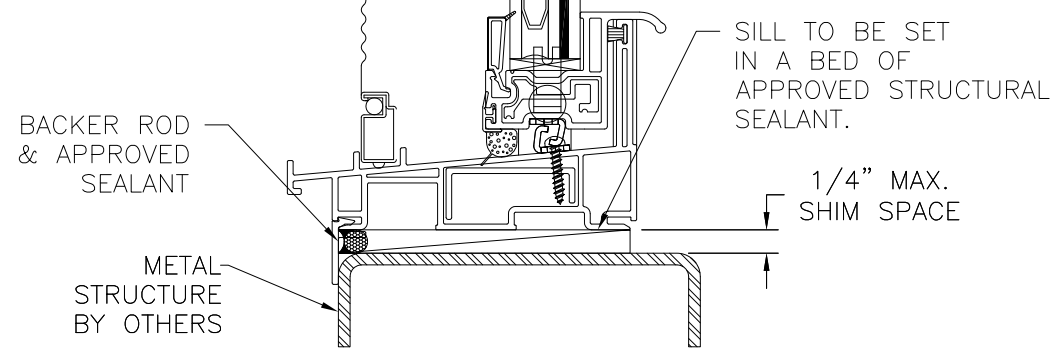
REVISIONS			
REV	DESCRIPTION	DATE	APPROVED



VERTICAL CROSS SECTION
METAL STRUCTURE INSTALLATION



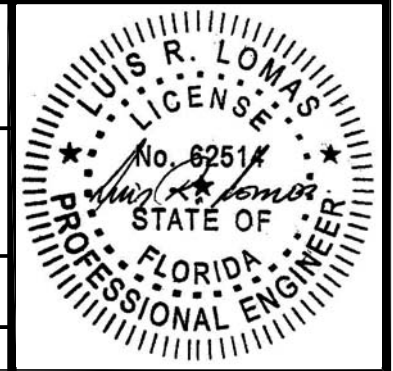
JAMB INSTALLATION DETAIL
METAL STRUCTURE INSTALLATION



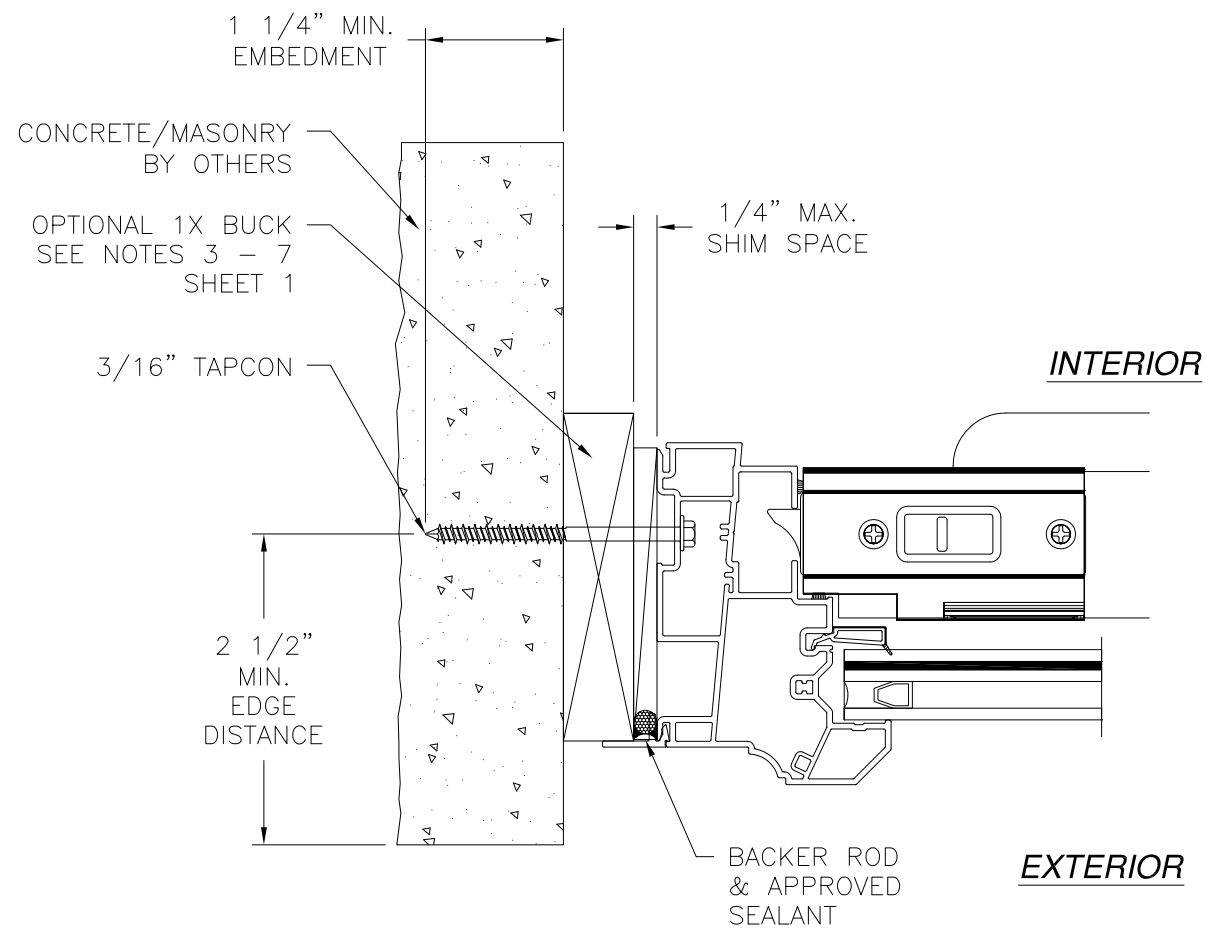
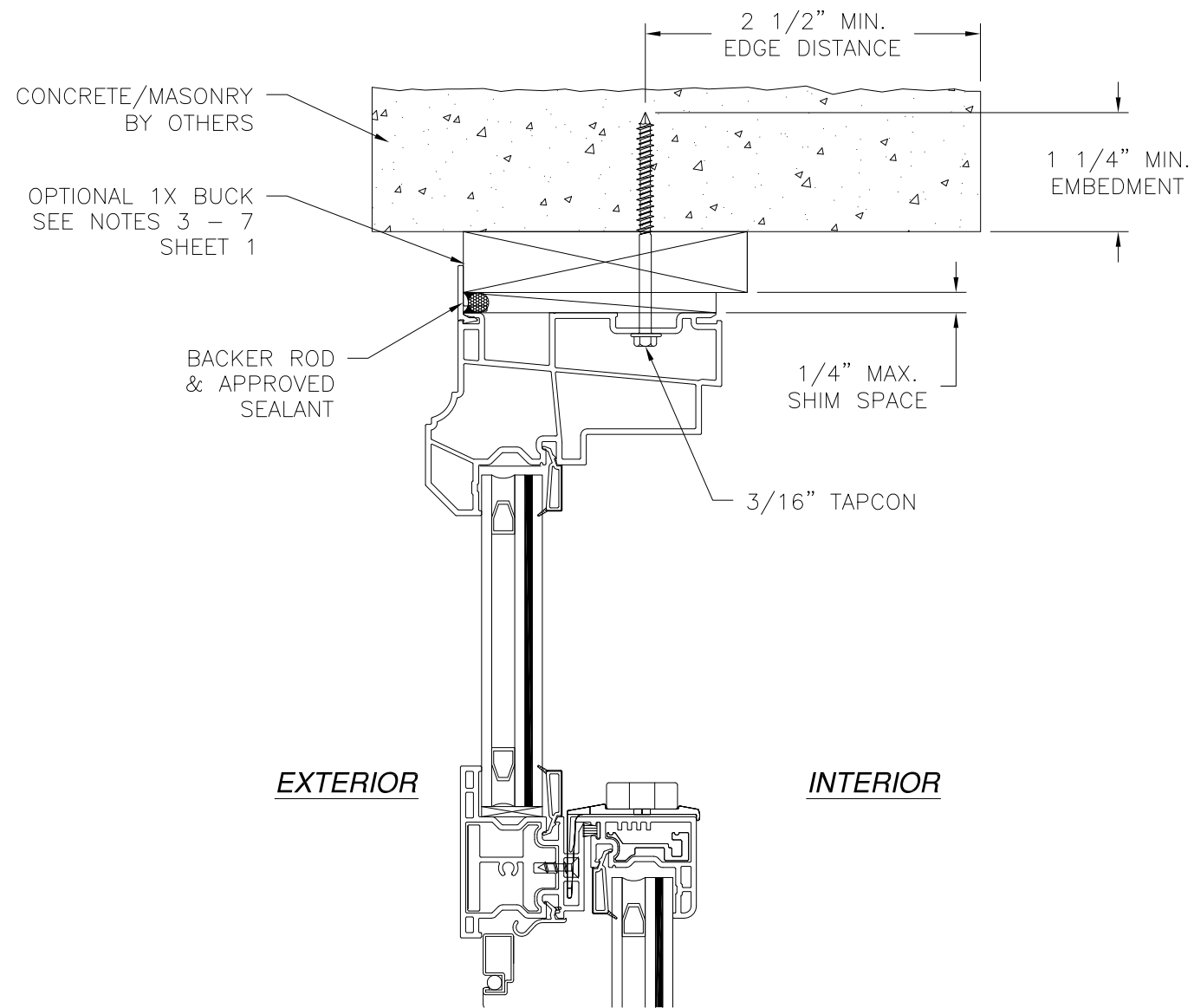
NOTES:
 1. INTERIOR AND EXTERIOR FINISHES, BY OTHERS, NOT SHOWN FOR CLARITY.
 2. PERIMETER AND JOINT SEALANT BY OTHERS TO BE DESIGNED IN ACCORDANCE WITH ASTM E2112

SIGNED: 05/25/2016

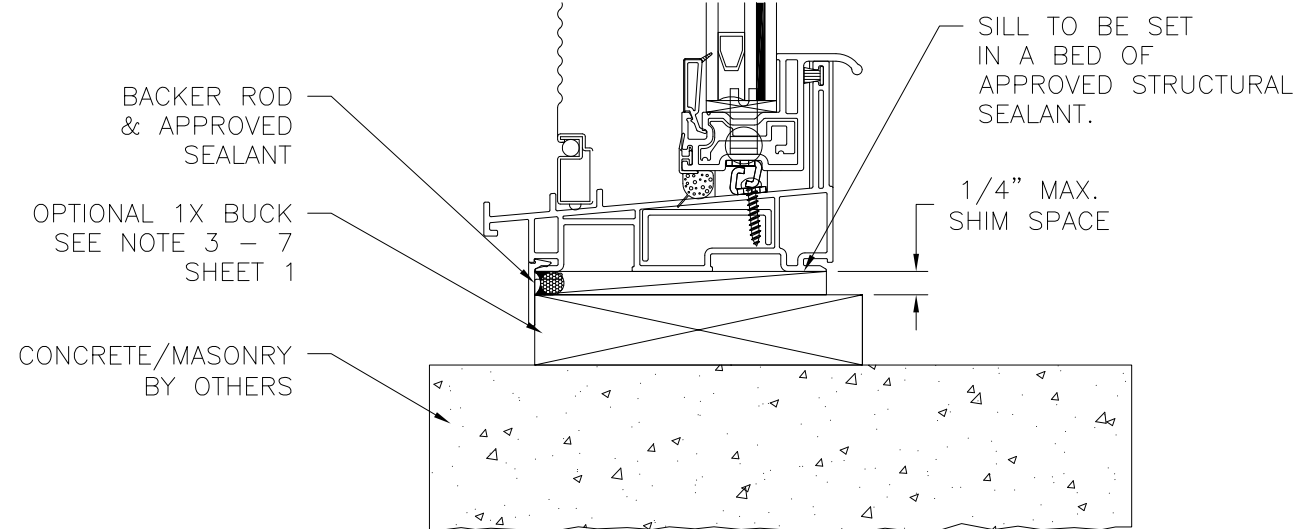
 Eastern ARCHITECTURAL SYSTEMS ALUMINUM AND VINYL IMPACT WINDOWS AND DOORS	EASTERN ARCHITECTURAL SYSTEMS A DIVISION OF EASTERN METAL SUPPLY 16341 DOMESTIC AVE FORT MYERS, FL 33912 800-432-2204	
	SERIES 2461 VINYL EQUAL LEG FRAME IMPACT SINGLE HUNG WINDOW - 53 1/8" X 72" INSTALLATION DETAILS	
DRAWN: N.G.	DWG NO. 08-02915	REV -
SCALE NTS	DATE 05/24/16	SHEET 4 OF 5



REVISIONS			
REV	DESCRIPTION	DATE	APPROVED



**JAMB INSTALLATION DETAIL
CONCRETE/MASONRY INSTALLATION**



**VERTICAL CROSS SECTION
CONCRETE/MASONRY INSTALLATION**

- NOTES:**
1. INTERIOR AND EXTERIOR FINISHES, BY OTHERS, NOT SHOWN FOR CLARITY.
 2. PERIMETER AND JOINT SEALANT BY OTHERS TO BE DESIGNED IN ACCORDANCE WITH ASTM E2112

SIGNED: 05/25/2016

Eastern
ARCHITECTURAL SYSTEMS
ALUMINUM AND VINYL
IMPACT WINDOWS AND DOORS

EASTERN ARCHITECTURAL SYSTEMS
A DIVISION OF
EASTERN METAL SUPPLY
16341 DOMESTIC AVE
FORT MYERS, FL 33912
800-432-2204

SERIES 2461 VINYL EQUAL LEG FRAME IMPACT
SINGLE HUNG WINDOW - 53 1/8" X 72"
INSTALLATION DETAILS

DRAWN: N.G.	DWG NO. 08-02915	REV -
SCALE NTS	DATE 05/24/16	SHEET 5 OF 5

