


REVISIONS			
REV	DESCRIPTION	DATE	APPROVED

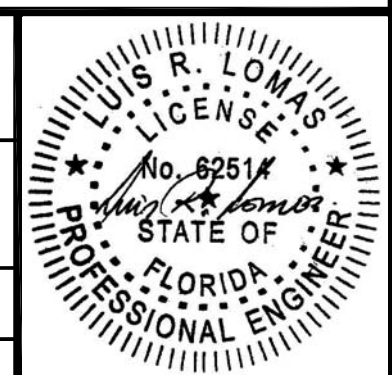
NOTES:

1. THE PRODUCT SHOWN HEREIN IS DESIGNED AND MANUFACTURED TO COMPLY WITH REQUIREMENTS OF THE FLORIDA BUILDING CODE.
2. WOOD FRAMING AND MASONRY OPENING TO BE DESIGNED AND ANCHORED TO PROPERLY TRANSFER ALL LOADS TO STRUCTURE. FRAMING AND MASONRY OPENING IS THE RESPONSIBILITY OF THE ARCHITECT OR ENGINEER OF RECORD.
3. SHIM AS REQUIRED WITH LOAD BEARING SHIM. SHIM WHERE SPACE OF 1/16" OR GREATER OCCURS. MAXIMUM ALLOWABLE SHIM STACK TO BE 1/4".
4. SHIMS SHALL BE LOCATED, APPLIED AND MADE FROM MATERIALS AND THICKNESS CAPABLE OF SUSTAINING APPLICABLE LOADS.
5. WIND LOAD DURATION FACTOR Cd=1.6 WAS USED FOR WOOD ANCHOR CALCULATIONS.
6. FRAME MATERIAL: EXTRUDED RIGID PVC.
7. UNITS MUST BE GLAZED PER ASTM E1300-04/09, SEE SHEET 2 FOR GLASS DETAILS.
8. APPROVED IMPACT PROTECTIVE SYSTEM IS NOT REQUIRED FOR THIS PRODUCT IN WIND BORNE DEBRIS REGIONS.
9. FOR ANCHORING THROUGH FIN INTO WOOD FRAMING OR 2X BUCK USE #8 WOOD SCREWS WITH SUFFICIENT LENGTH TO ACHIEVE A 1 1/4" MINIMUM EMBEDMENT INTO SUBSTRATE. LOCATE ANCHORS AS SHOWN IN ELEVATIONS AND INSTALLATION DETAILS.
10. ALL FASTENERS TO BE CORROSION RESISTANT.
11. INSTALLATION ANCHORS SHALL BE INSTALLED IN ACCORDANCE WITH ANCHOR MANUFACTURER'S INSTALLATION INSTRUCTIONS AND ANCHORS SHALL NOT BE USED IN SUBSTRATES WITH STRENGTHS LESS THAN THE MINIMUM STRENGTH SPECIFIED BELOW:
  - A. WOOD - MINIMUM SPECIFIC GRAVITY OF G=0.42

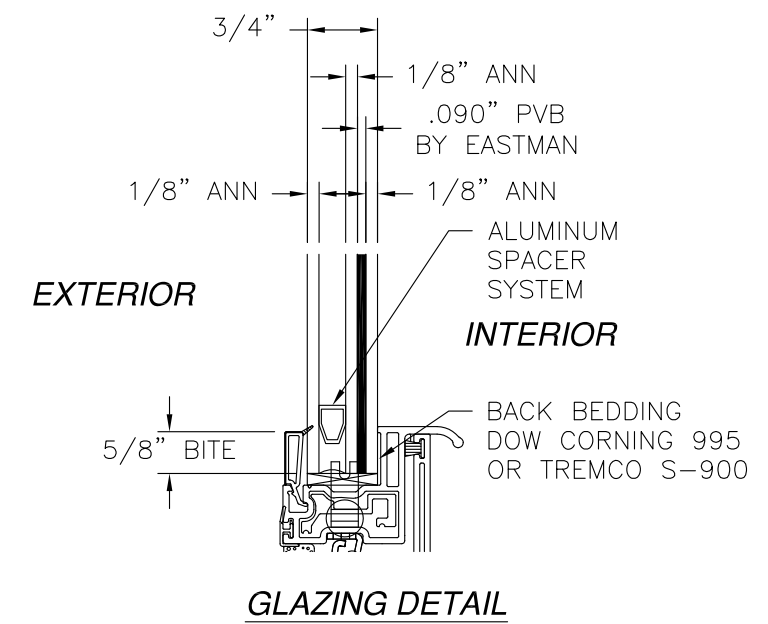
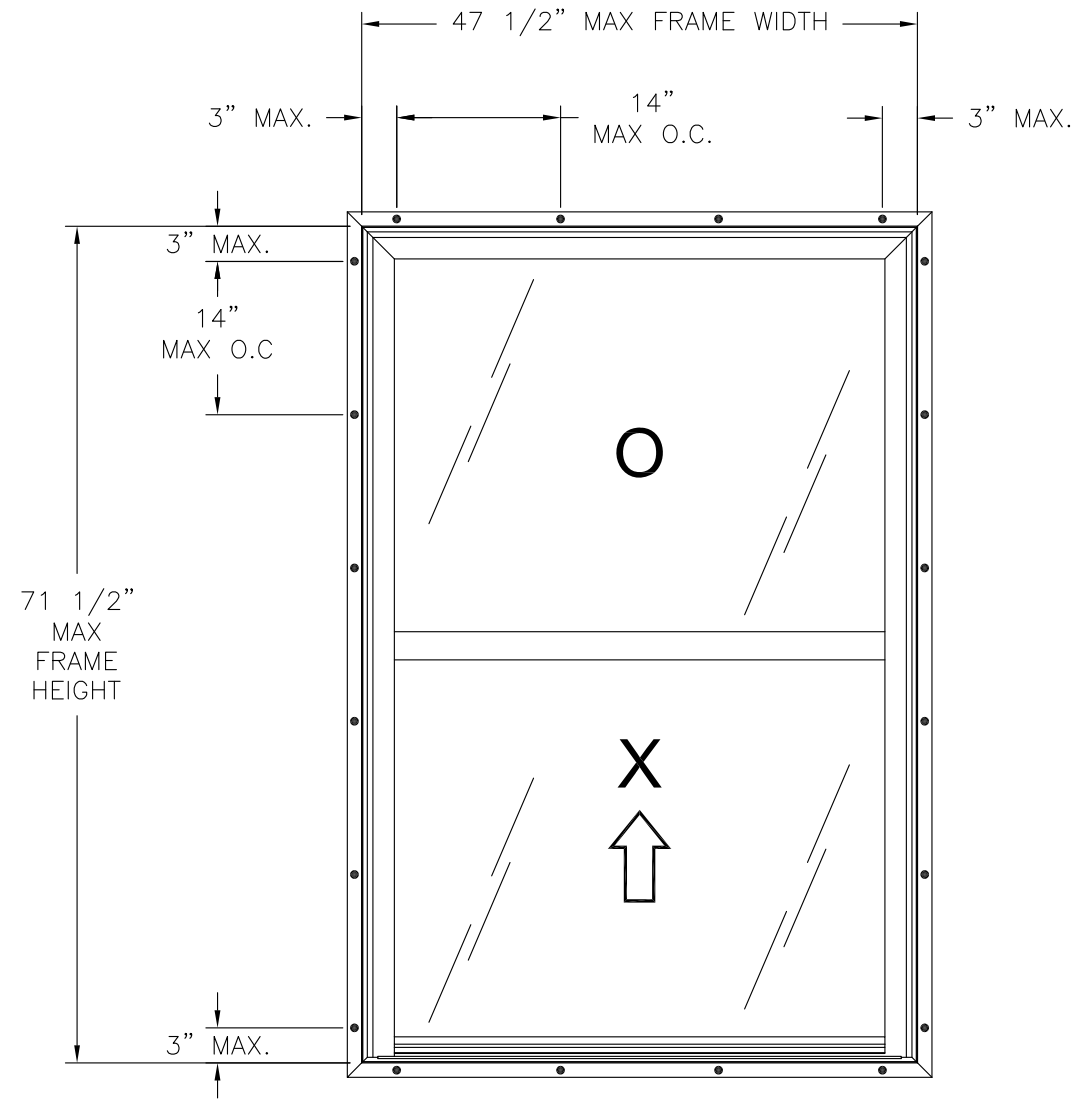
SIGNED: 05/26/2016

TABLE OF CONTENTS	
SHEET NO.	DESCRIPTION
1	NOTES
2	ELEVATION
3	INSTALLATION DETAILS

		EASTERN ARCHITECTURAL SYSTEMS A DIVISION OF EASTERN METAL SUPPLY 16341 DOMESTIC AVE FORT MYERS, FL 33912 800-432-2204	
SERIES 2451 VINYL FIN FRAME IMPACT SINGLE HUNG WINDOW - 48" x 72" ELEVATION AND NOTES			
DRAWN:	DWG NO.	REV	
N.G.	08-02914	-	
SCALE NTS	DATE 05/25/16	SHEET 1 OF 3	



REVISIONS			
REV	DESCRIPTION	DATE	APPROVED



**SERIES 2451 VINYL SINGLE HUNG WINDOW**  
EXTERIOR VIEW

DESIGN PRESSURE RATING	IMPACT RATING
±50.0PSF	LARGE AND SMALL MISSILE IMPACT

- NOTES:
1. MAXIMUM SASH SIZE: 44 5/16" X 34 7/8"
  2. MAXIMUM D.L.O.: 41 13/16" X 32 3/8"
  3. (2) 1" X 1/8" WEEP SLOTS AT 3 1/2" FROM EACH CORNER OF JAMB AND SILL.

HARDWARE SCHEDULE	
A.	(2) FS-550 SPRING LOADED BALANCE SYSTEM AT EACH JAMB
B.	(2) METALLIC TILT LATCH SPRING LOADED AT 1 1/2" FROM EACH SASH TOP RAIL
C.	(2) ALUMINUM IMPACT CLIP REINFORCEMENT AT 1 1/2" FROM EACH SASH TOP RAIL
D.	(2) CAST ALUMINUM CAM LOCKS AT 10" FROM EACH JAMB ON SASH TOP RAIL
E.	EXTRUDED ALUMINUM REINFORCEMENT AT FIXED MEETING RAIL
F.	EXTRUDED ALUMINUM REINFORCEMENT AT SASH STILES & RAILS
G.	(2) METALLIC SILL INTERLOCKS AT FRAME SILL 15" FROM EACH SILL CORNER

SIGNED: 05/26/2016

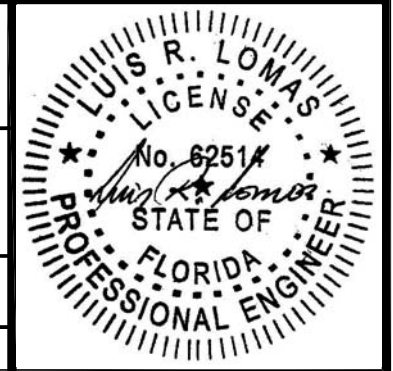


**Eastern**  
ARCHITECTURAL SYSTEMS  
ALUMINUM AND VINYL  
IMPACT WINDOWS AND DOORS

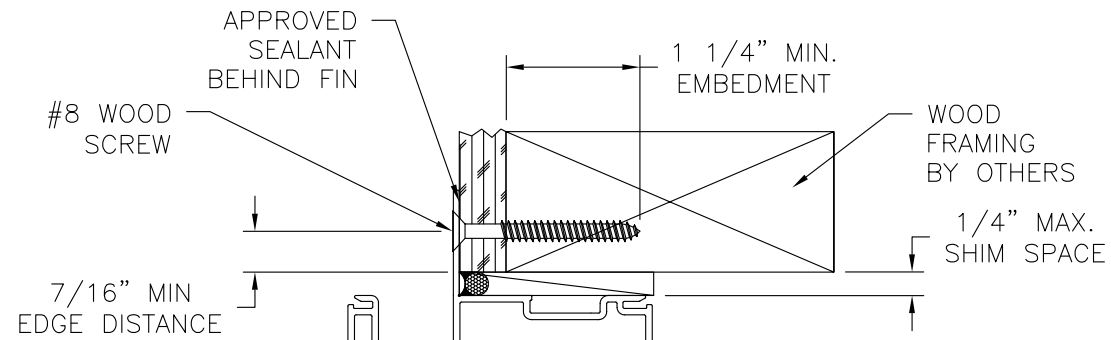
EASTERN ARCHITECTURAL SYSTEMS  
A DIVISION OF  
EASTERN METAL SUPPLY  
16341 DOMESTIC AVE  
FORT MYERS, FL 33912  
800-432-2204

SERIES 2451 VINYL FIN FRAME IMPACT  
SINGLE HUNG WINDOW - 48" x 72"  
ELEVATION AND NOTES

DRAWN: N.G.	DWG NO. 08-02914	REV -
SCALE NTS	DATE 05/25/16	SHEET 2 OF 3

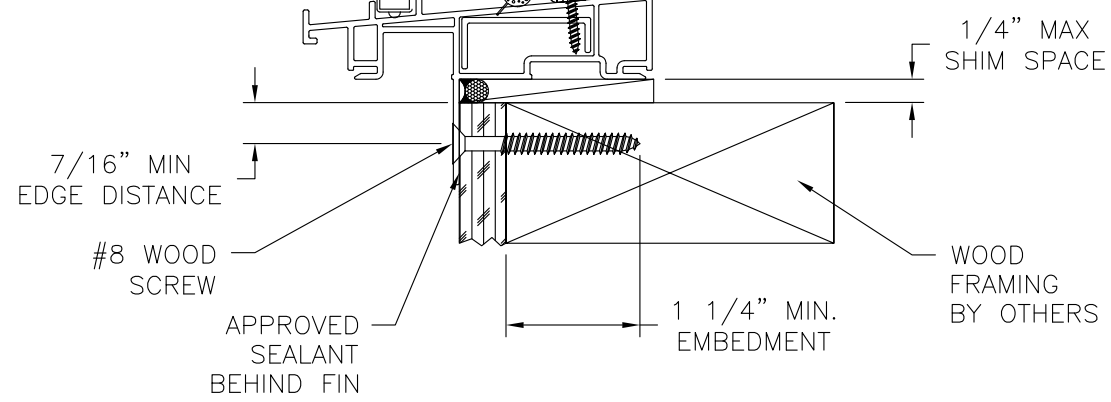


REVISIONS			
REV	DESCRIPTION	DATE	APPROVED

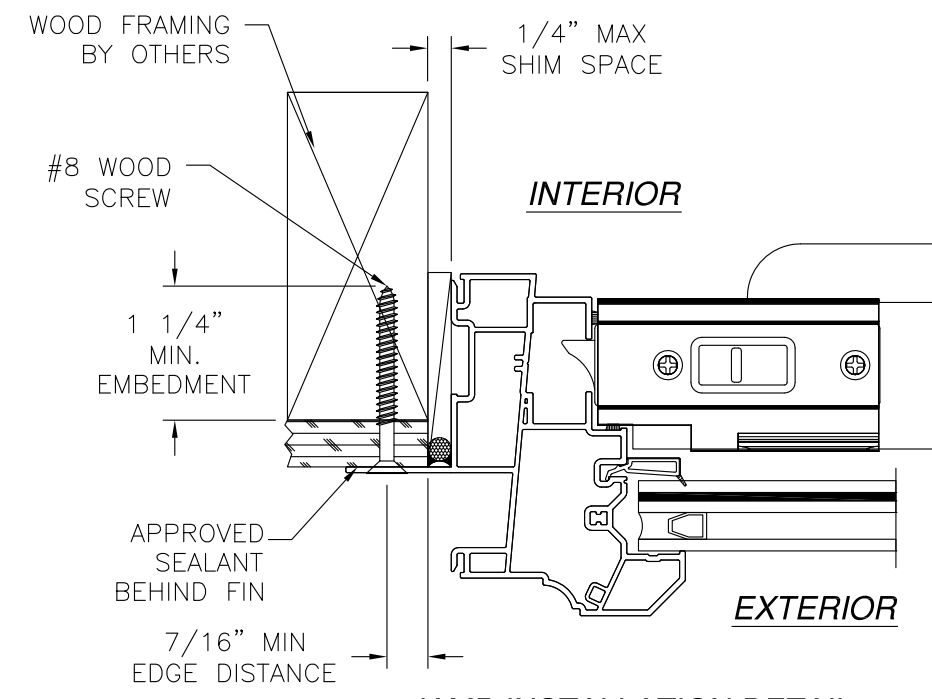


EXTERIOR

INTERIOR



**VERTICAL CROSS SECTION**  
WOOD FRAMING OR 2X BUCK INSTALLATION



**JAMB INSTALLATION DETAIL**  
WOOD FRAMING OR 2X BUCK INSTALLATION

- NOTES:**
1. INTERIOR AND EXTERIOR FINISHES, BY OTHERS, NOT SHOWN FOR CLARITY.
  2. PERIMETER AND JOINT SEALANT BY OTHERS TO BE DESIGNED IN ACCORDANCE WITH ASTM E2112

SIGNED: 05/26/2016

 <b>Eastern</b> ARCHITECTURAL SYSTEMS ALUMINUM AND VINYL IMPACT WINDOWS AND DOORS		EASTERN ARCHITECTURAL SYSTEMS A DIVISION OF EASTERN METAL SUPPLY 16341 DOMESTIC AVE FORT MYERS, FL 33912 800-432-2204
SERIES 2451 VINYL FIN FRAME IMPACT SINGLE HUNG WINDOW - 48" x 72" INSTALLATION DETAILS		
DRAWN: N.G.	DWG NO. 08-02914	REV -
SCALE NTS	DATE 05/25/16	SHEET 3 OF 3

