


REVISIONS			
REV	DESCRIPTION	DATE	APPROVED
A	REVISED GLAZING DETAILS	12/26/17	R.L.

NOTES:

1. THE PRODUCT SHOWN HEREIN IS DESIGNED AND MANUFACTURED TO COMPLY WITH REQUIREMENTS OF THE FLORIDA BUILDING CODE INCLUDING THE HVHZ.
2. WOOD FRAMING AND MASONRY OPENING TO BE DESIGNED AND ANCHORED TO PROPERLY TRANSFER ALL LOADS TO STRUCTURE. FRAMING AND MASONRY OPENING IS THE RESPONSIBILITY OF THE ARCHITECT OR ENGINEER OF RECORD.
3. 1X BUCK OVER MASONRY/CONCRETE IS OPTIONAL.
4. WHERE SHIM OR BUCK THICKNESS IS LESS THAN 1-1/2" WINDOW UNITS MUST BE ANCHORED THROUGH THE FRAME IN ACCORDANCE WITH MANUFACTURER'S PUBLISHED INSTALLATION INSTRUCTIONS. ANCHORS SHALL BE SECURELY FASTENED DIRECTLY INTO MASONRY, CONCRETE OR OTHER STRUCTURAL SUBSTRATE MATERIAL.
5. WHERE WOOD BUCK THICKNESS IS 1-1/2" OR GREATER, BUCK SHALL BE SECURELY FASTENED TO MASONRY, CONCRETE OR OTHER STRUCTURAL SUBSTRATE. WINDOW UNITS MAY BE ANCHORED THROUGH FRAME TO SECURED WOOD BUCK IN ACCORDANCE WITH MANUFACTURER'S PUBLISHED INSTALLATION INSTRUCTIONS.
6. WHERE 1X BUCK IS NOT USED DISSIMILAR MATERIALS MUST BE SEPARATED WITH APPROVED COATING OR MEMBRANE. SELECTION OF COATING OR MEMBRANE IS THE RESPONSIBILITY OF THE ARCHITECT OR ENGINEER OF RECORD.
7. BUCKS SHALL EXTEND BEYOND WINDOW INTERIOR FACE SO THAT FULL FRAME SUPPORT IS PROVIDED.
8. FOR FIN INSTALLATION SHIM AS NEEDED. FOR FRAME INSTALLATION SHIM AS REQUIRED AT EACH ANCHOR LOCATION WITH LOAD BEARING SHIM. SHIM WHERE SPACE OF 1/16" OR GREATER OCCURS. MAXIMUM ALLOWABLE SHIM STACK TO BE 1/4".
9. SHIMS SHALL BE LOCATED, APPLIED AND MADE FROM MATERIALS AND THICKNESS CAPABLE OF SUSTAINING APPLICABLE LOADS.
10. WIND LOAD DURATION FACTOR Cd=1.6 WAS USED FOR WOOD ANCHOR CALCULATIONS.
11. FRAME MATERIAL: EXTRUDED ALUMINUM 6063-T6.
12. UNITS MUST BE GLAZED PER ASTM E1300-04/09, SEE SHEETS 2-7 FOR GLASS DETAILS.
13. APPROVED IMPACT PROTECTIVE SYSTEM IS NOT REQUIRED FOR THIS PRODUCT IN WIND BORNE DEBRIS REGIONS.
14. FOR FIN INSTALLATION INTO WOOD FRAMING OR 2X BUCK USE #10 WOOD SCREWS WITH SUFFICIENT LENGTH TO ACHIEVE A 1 3/8" MINIMUM EMBEDMENT INTO SUBSTRATE. LOCATE ANCHORS AS SHOWN IN ELEVATIONS AND INSTALLATION DETAILS.
15. FOR FRAME ANCHORING INTO WOOD FRAMING OR 2X BUCK USE #14 WOOD SCREWS WITH SUFFICIENT LENGTH TO ACHIEVE A 1 7/16" MINIMUM EMBEDMENT INTO SUBSTRATE. LOCATE ANCHORS AS SHOWN IN ELEVATIONS AND INSTALLATION DETAILS.
16. FOR FRAME ANCHORING INTO MASONRY/CONCRETE USE 1/4" TAPCONS WITH SUFFICIENT LENGTH TO ACHIEVE A 1 1/4" MINIMUM EMBEDMENT INTO SUBSTRATE WITH 2" MINIMUM EDGE DISTANCE. LOCATE ANCHORS AS SHOWN IN ELEVATIONS AND INSTALLATION DETAILS.
17. FOR FRAME ANCHORING INTO METAL STRUCTURE USE #14 SMS OR SELF DRILLING SCREWS WITH SUFFICIENT LENGTH TO ACHIEVE 3 THREADS MINIMUM BEYOND STRUCTURE INTERIOR WALL. LOCATE ANCHORS AS SHOWN IN ELEVATIONS AND INSTALLATION DETAILS.
18. ALL FASTENERS TO BE CORROSION RESISTANT.
19. INSTALLATION ANCHORS SHALL BE INSTALLED IN ACCORDANCE WITH ANCHOR MANUFACTURER'S INSTALLATION INSTRUCTIONS AND ANCHORS SHALL NOT BE USED IN SUBSTRATES WITH STRENGTHS LESS THAN THE MINIMUM STRENGTH SPECIFIED BELOW:
  - A. WOOD - MINIMUM SPECIFIC GRAVITY OF G=0.42
  - B. CONCRETE - MINIMUM COMPRESSIVE STRENGTH OF 3,192 PSI.
  - C. MASONRY - STRENGTH CONFORMANCE TO ASTM C-90, GRADE N, TYPE 1 (OR GREATER).
  - D. METAL STRUCTURE: STEEL 18GA, 33KSI OR ALUMINUM 6063-T5 0.048" THICK MINIMUM

TABLE OF CONTENTS	
SHEET NO.	DESCRIPTION
1	NOTES
2 - 6	ELEVATIONS
7	CROSS SECTIONS AND B.O.M.
8 - 11	INSTALLATION DETAILS
12	COMPONENTS



**Eastern**  
ARCHITECTURAL SYSTEMS  
ALUMINUM AND VINYL  
IMPACT WINDOWS AND DOORS

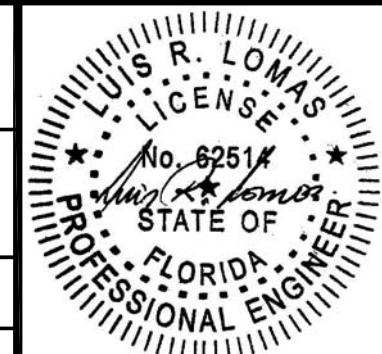
EASTERN ARCHITECTURAL SYSTEMS  
A DIVISION OF  
EASTERN METAL SUPPLY  
10030 BAVARIA ROAD  
FORT MYERS, FLORIDA 33913  
800-432-2204

**SERIES FWI 1000 IMPACT  
SINGLE HUNG WINDOW  
NOTES**

DRAWN: V.L.	DWG NO. 08-02476	REV A
SCALE NTS	DATE 08/20/14	SHEET 1 OF 12

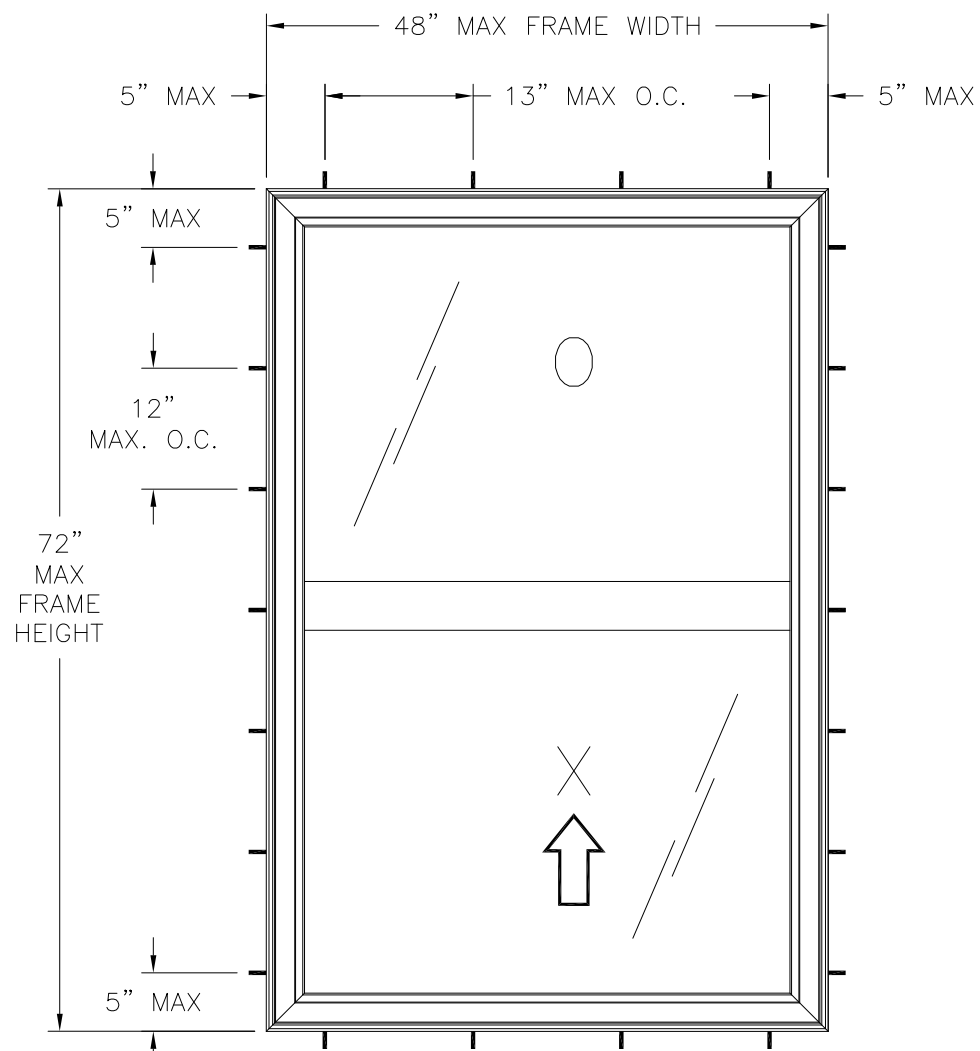
L. ROBERTO LOMAS P.E.  
1432 WOODFORD RD LEWISVILLE, NC 27023  
434-688-0609 rllomas@rlomaspe.com

SIGNED: 12/26/2017

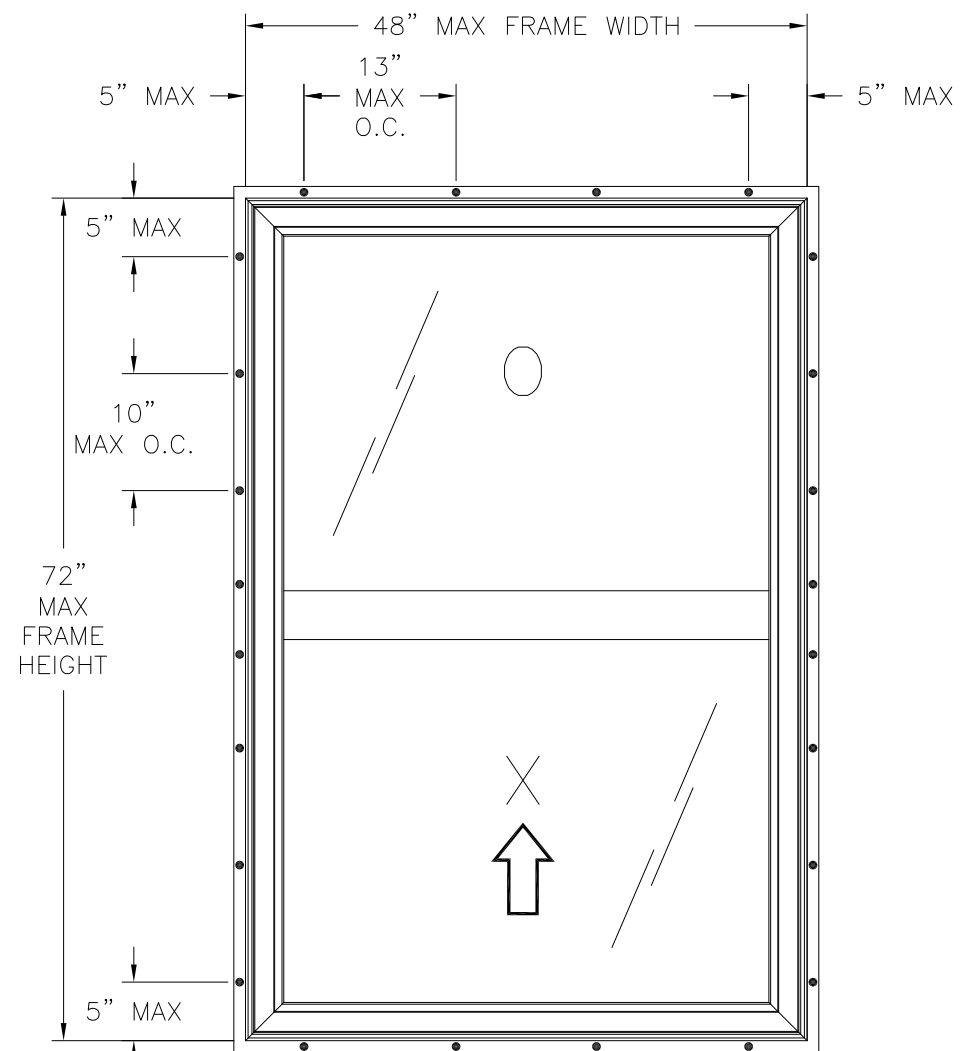


Luis R. Lomas P.E.  
FL No.: 62514

REVISIONS			
REV	DESCRIPTION	DATE	APPROVED
A	REVISED GLAZING DETAILS	12/26/17	R.L.



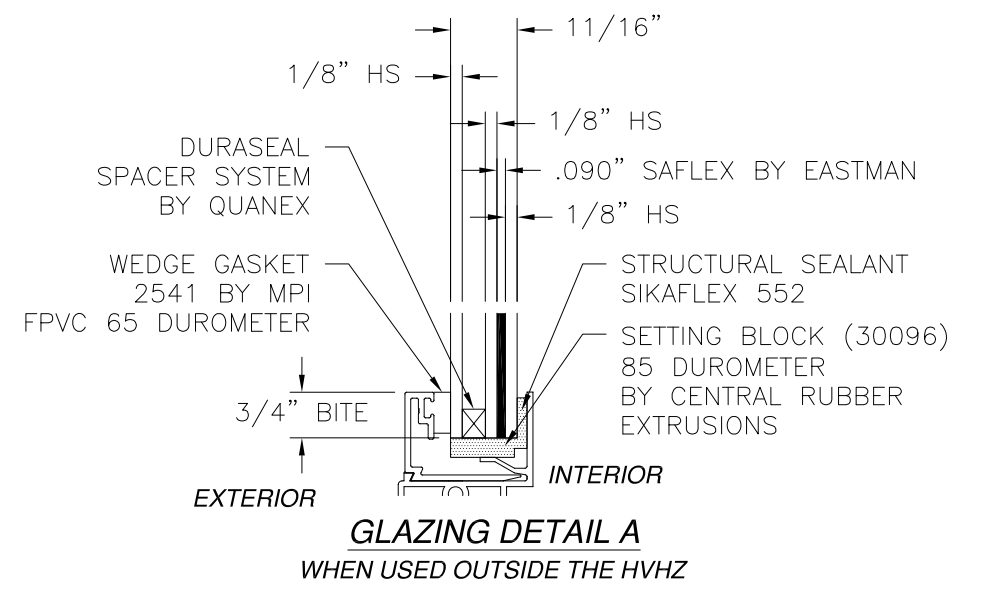
**SERIES FWI 1000 IMPACT SINGLE HUNG WINDOW**  
EXTERIOR VIEW FRAME INSTALLATION



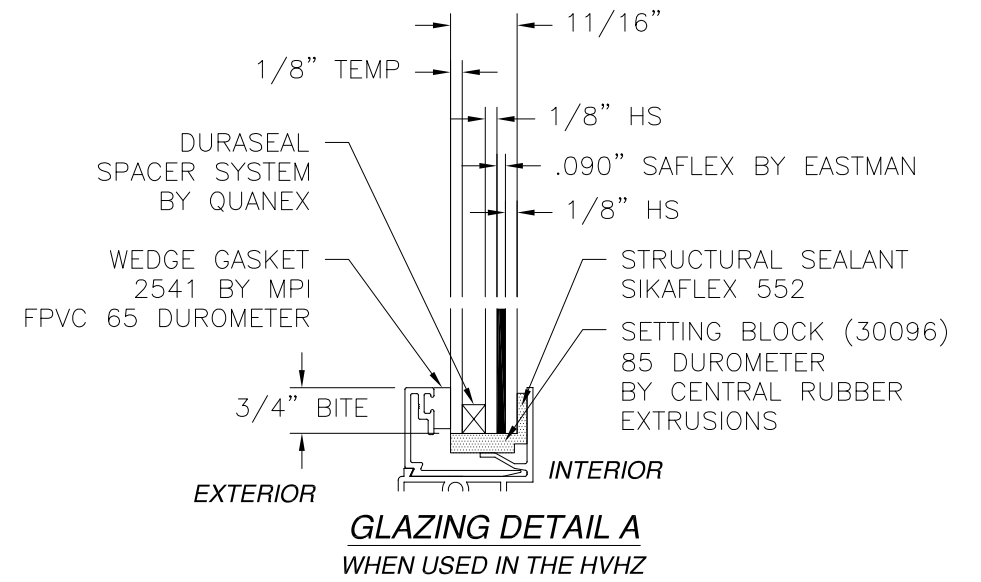
**SERIES FWI 1000 IMPACT SINGLE HUNG WINDOW**  
EXTERIOR VIEW FIN INSTALLATION

DESIGN PRESSURE RATING	IMPACT RATING
±75.0PSF	LARGE AND SMALL MISSILE IMPACT

MISSILE LEVEL D, WIND ZONE 4, AND HVHZ WITH GLAZING A



**GLAZING DETAIL A**  
WHEN USED OUTSIDE THE HVHZ



**GLAZING DETAIL A**  
WHEN USED IN THE HVHZ

NOTES:

1. SASH SIZE: 47" X 38".
2. D.L.O.: 42 3/4" X 31 5/8".
3. HARDWARE:
  - a. (1) METALLIC CAM LOCK LOCATED MIDSPAN OF TOP RAIL AND ANCHORED TO FIXED MEETING RAIL.
  - b. (2) SPIRAL BALANCE LOCATED ON EACH JAMB.
  - c. (2) BALANCE SHOES LOCATED ON EACH SASH BOTTOM RAIL END.
4. NO REINFORCEMENTS.

SIGNED: 12/26/2017

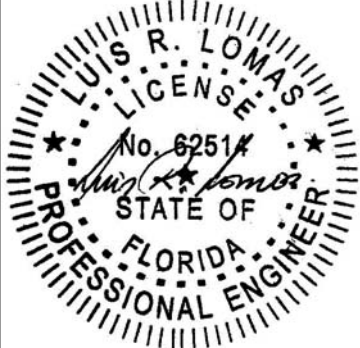


EASTERN ARCHITECTURAL SYSTEMS  
A DIVISION OF  
EASTERN METAL SUPPLY  
10030 BAVARIA ROAD  
FORT MYERS, FLORIDA 33913  
800-432-2204

**SERIES FWI 1000 IMPACT SINGLE HUNG WINDOW ELEVATIONS**

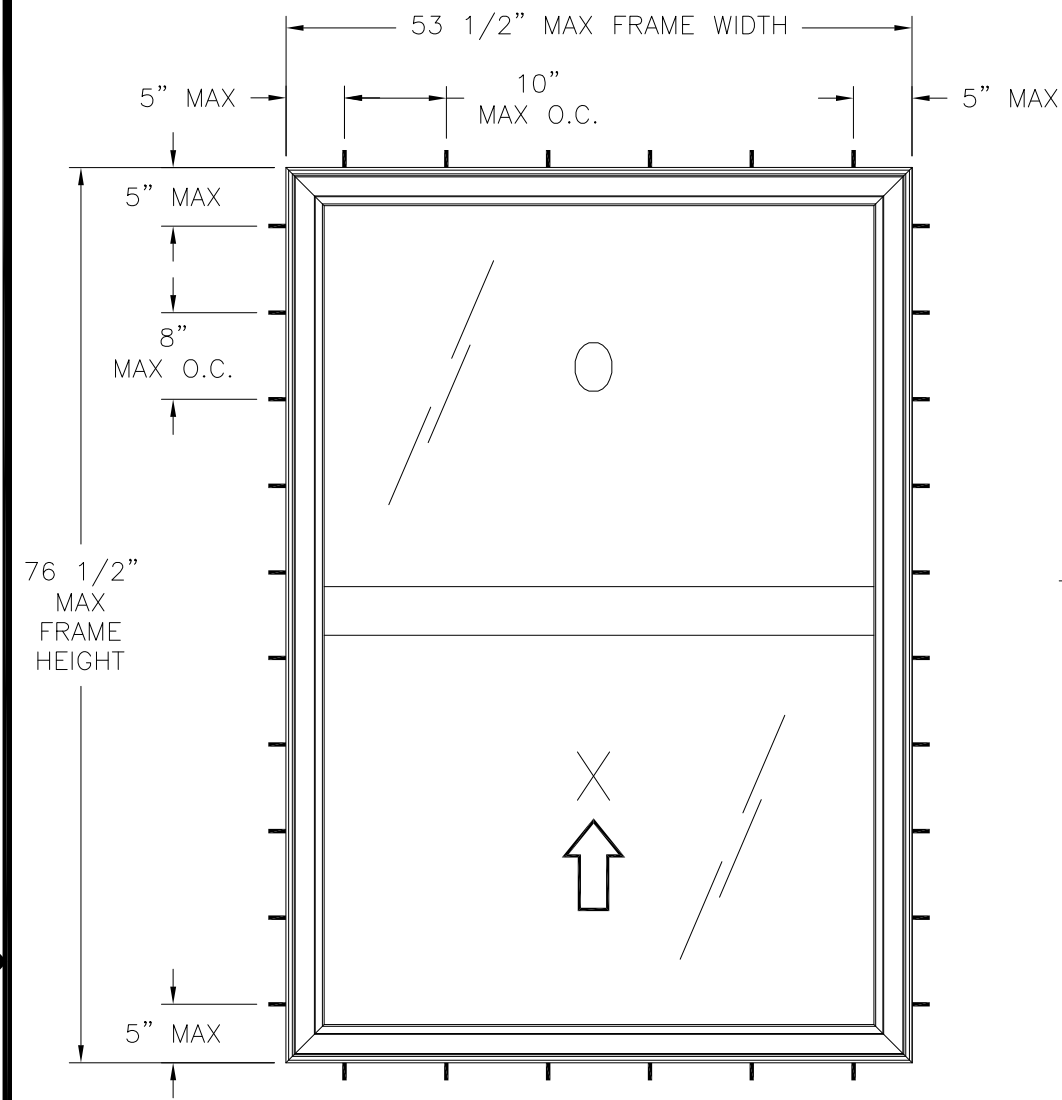
DRAWN: V.L.	DWG NO. 08-02476	REV A
SCALE NTS	DATE 08/20/14	SHEET 2 OF 12

L. ROBERTO LOMAS P.E.  
1432 WOODFORD RD LEWISVILLE, NC 27023  
434-688-0609 rllomas@rlomaspe.com

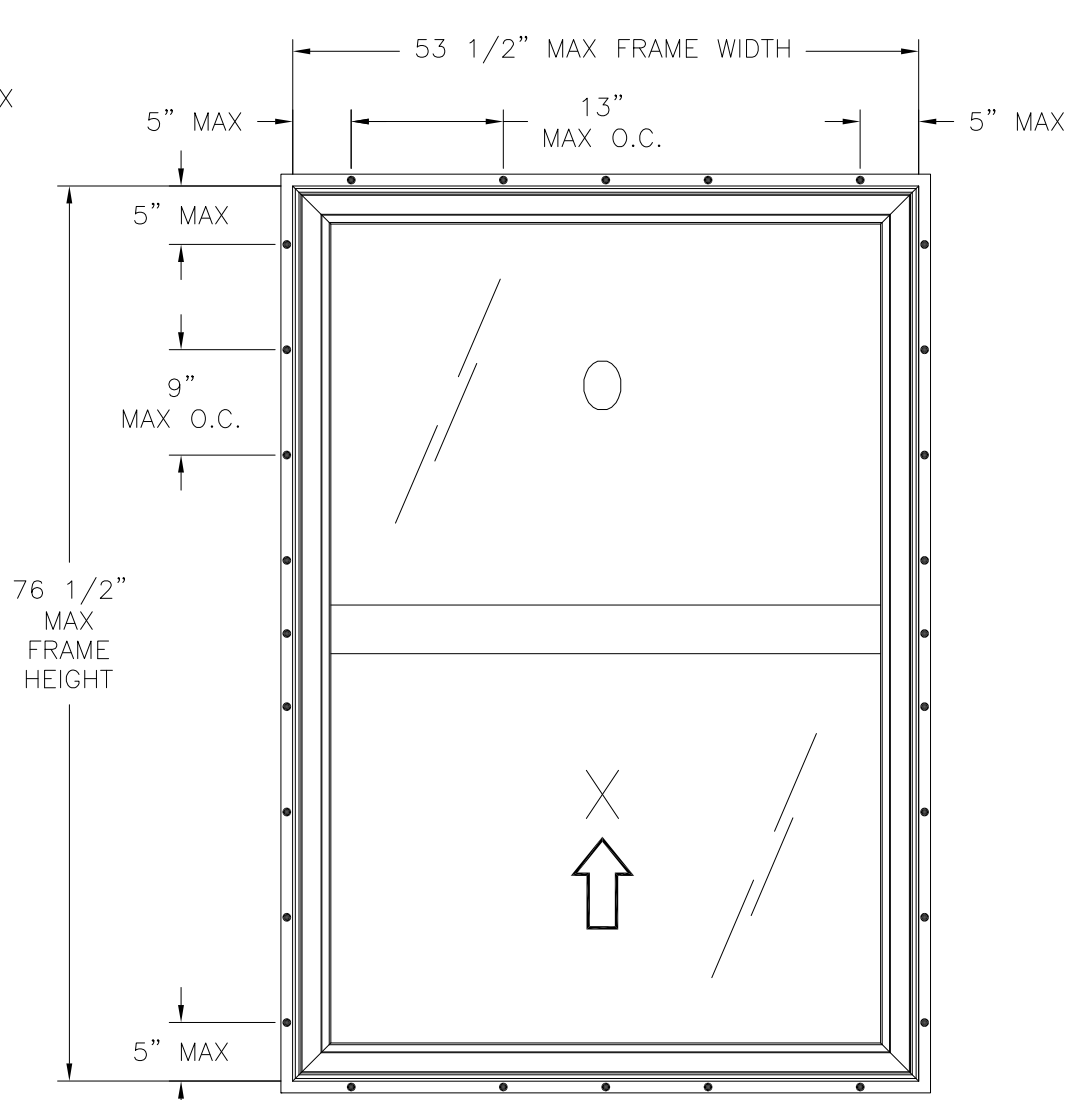


Luis R. Lomas P.E.  
FL No.: 62514

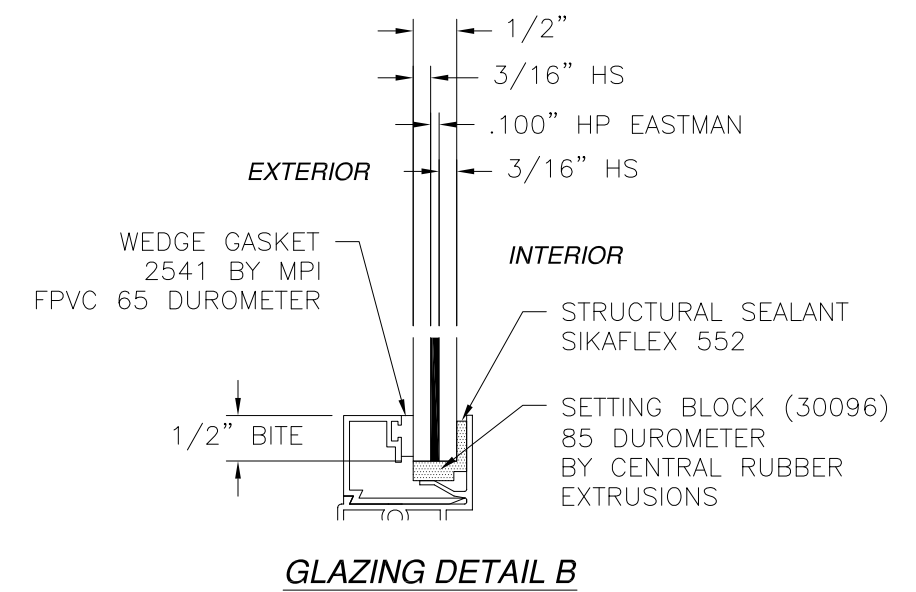
REVISIONS			
REV	DESCRIPTION	DATE	APPROVED
A	REVISED GLAZING DETAILS	12/26/17	R.L.



**SERIES FWI 1000 IMPACT SINGLE HUNG WINDOW**  
EXTERIOR VIEW FRAME INSTALLATION



**SERIES FWI 1000 IMPACT SINGLE HUNG WINDOW**  
EXTERIOR VIEW FIN INSTALLATION



DESIGN PRESSURE RATING	IMPACT RATING
+120.0/-150.0PSF	LARGE AND SMALL MISSILE IMPACT

MISSILE LEVEL D, WIND ZONE 4, AND HVHZ WITH GLAZING B

- NOTES:
- SASH SIZE: 50 1/2" X 38 1/4".
  - D.L.O.: 47 1/2" X 31 3/4".
  - HARDWARE:
    - (1) METALLIC CAM LOCK LOCATED MIDSPAN OF TOP RAIL AND ANCHORED TO FIXED MEETING RAIL.
    - (2) SPIRAL BALANCE LOCATED ON EACH JAMB.
    - (2) BALANCE SHOES LOCATED ON EACH SASH BOTTOM RAIL END.
  - NO REINFORCEMENTS.



**Eastern**  
ARCHITECTURAL SYSTEMS  
ALUMINUM AND VINYL  
IMPACT WINDOWS AND DOORS

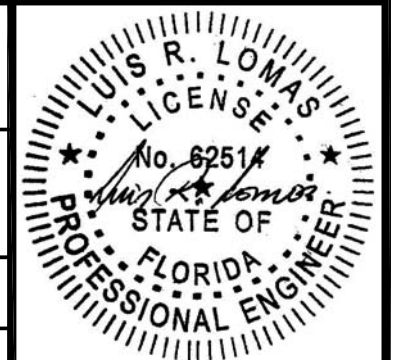
EASTERN ARCHITECTURAL SYSTEMS  
A DIVISION OF  
EASTERN METAL SUPPLY  
10030 BAVARIA ROAD  
FORT MYERS, FLORIDA 33913  
800-432-2204

**SERIES FWI 1000 IMPACT SINGLE HUNG WINDOW ELEVATIONS**

DRAWN: V.L.	DWG NO. 08-02476	REV A
SCALE NTS	DATE 08/20/14	SHEET 3 OF 12

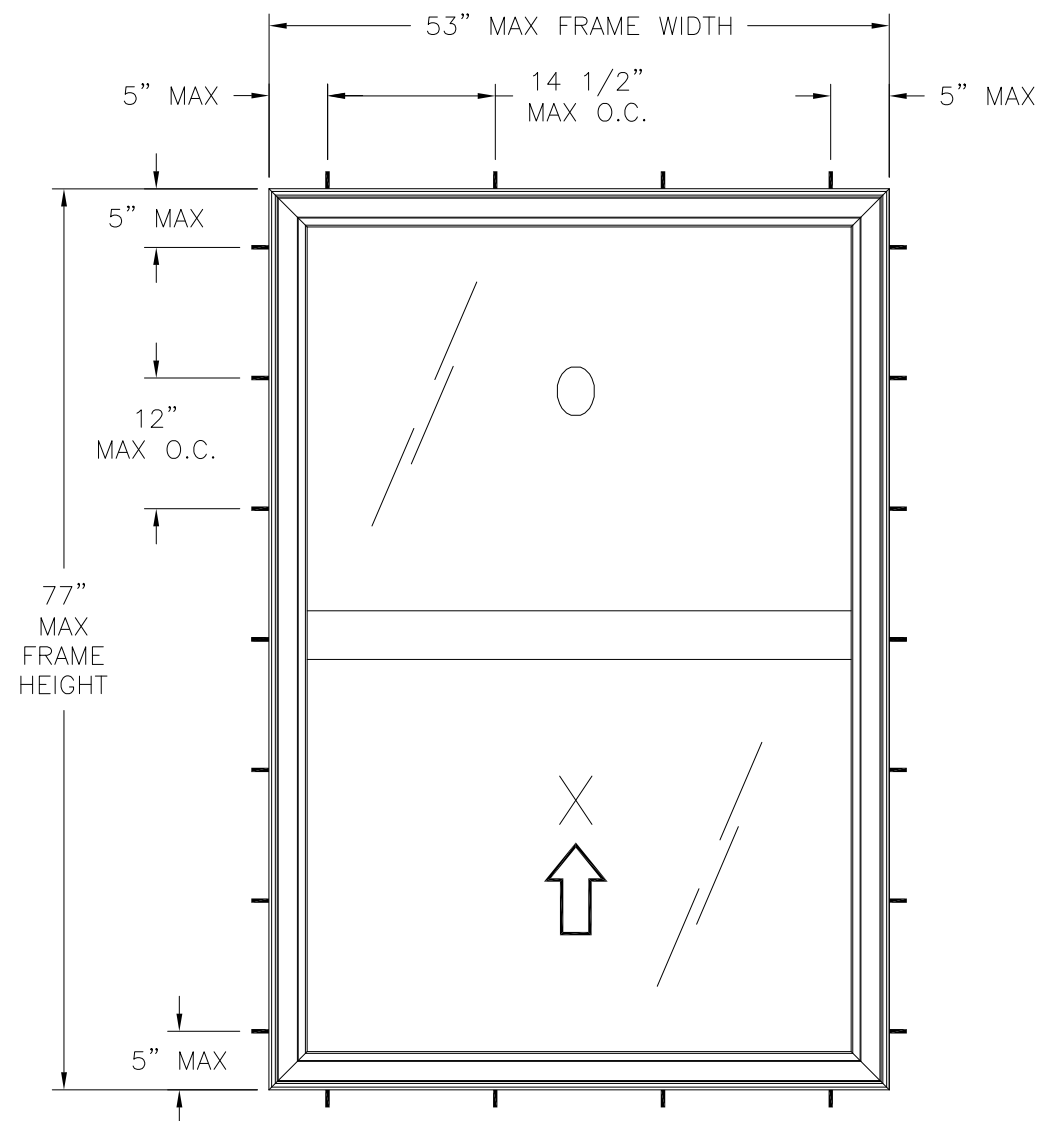
L. ROBERTO LOMAS P.E.  
 1432 WOODFORD RD LEWISVILLE, NC 27023  
 434-688-0609 rllomas@rlomaspe.com

SIGNED: 12/26/2017

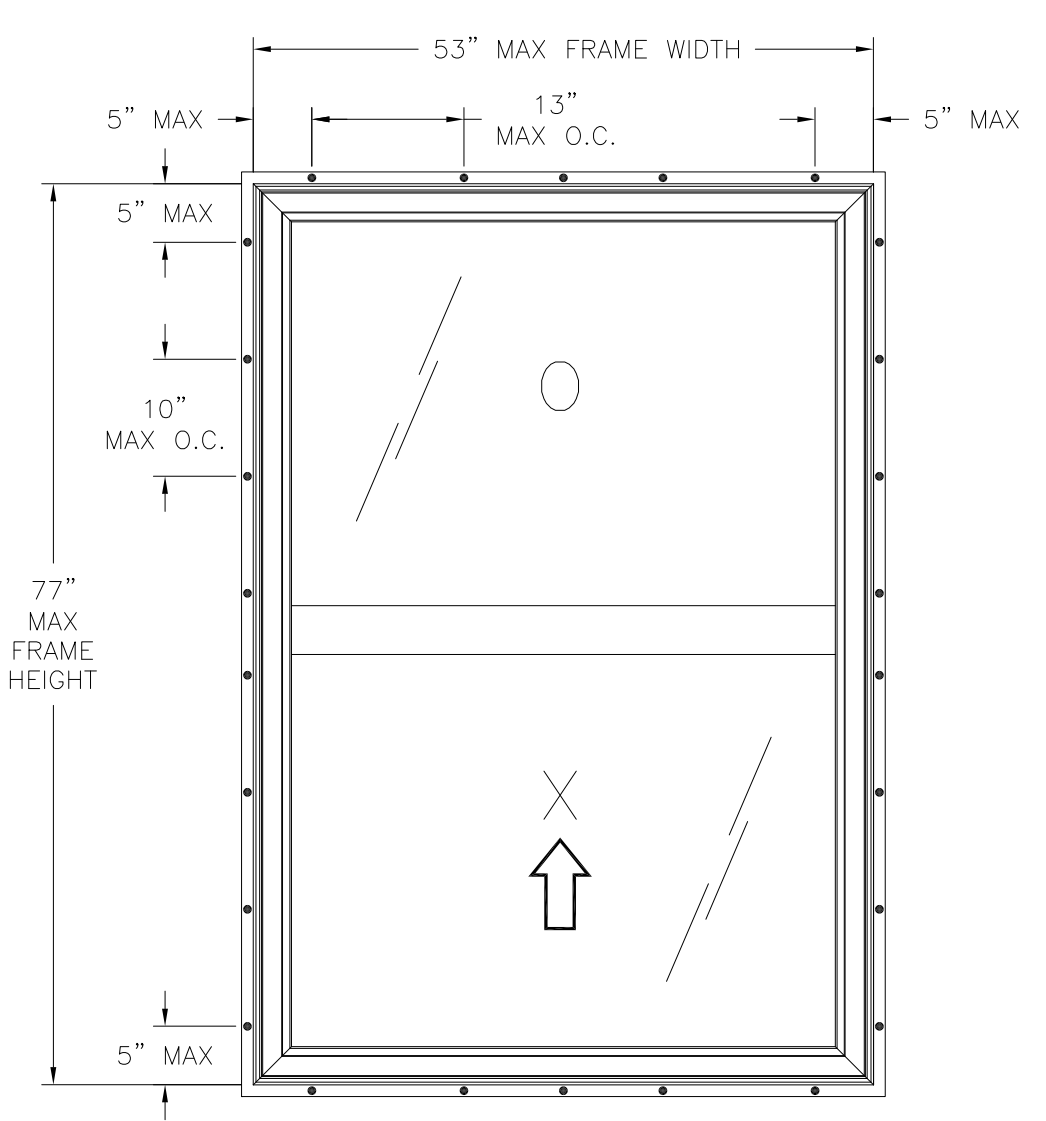


Luis R. Lomas P.E.  
FL No.: 62514

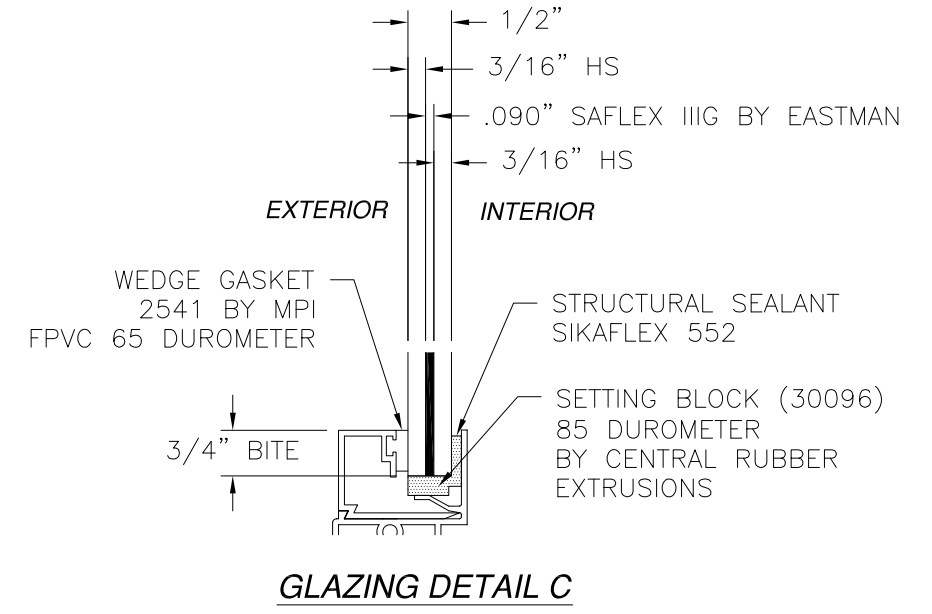
REVISIONS			
REV	DESCRIPTION	DATE	APPROVED
A	REVISED GLAZING DETAILS	12/26/17	R.L.



**SERIES FWI 1000 IMPACT SINGLE HUNG WINDOW**  
EXTERIOR VIEW FRAME INSTALLATION



**SERIES FWI 1000 IMPACT SINGLE HUNG WINDOW**  
EXTERIOR VIEW FIN INSTALLATION




DESIGN PRESSURE RATING	IMPACT RATING
+80.0/-100.0PSF	LARGE AND SMALL MISSILE IMPACT

MISSILE LEVEL D, WIND ZONE 4, AND HVHZ WITH GLAZING C

- NOTES:
- SASH SIZE: 51 3/4" X 38 3/4".
  - D.L.O.: 47 3/4" X 34".
  - HARDWARE:
    - (1) METALLIC CAM LOCK LOCATED MIDSPAN OF TOP RAIL AND ANCHORED TO FIXED MEETING RAIL.
    - (2) SPIRAL BALANCE LOCATED ON EACH JAMB.
    - (2) BALANCE SHOES LOCATED ON EACH SASH BOTTOM RAIL END.
  - NO REINFORCEMENTS.

SIGNED: 12/26/2017



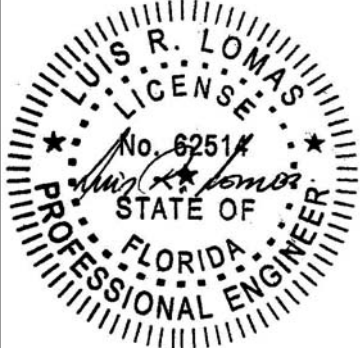
**Eastern**  
ARCHITECTURAL SYSTEMS  
ALUMINUM AND VINYL  
IMPACT WINDOWS AND DOORS

EASTERN ARCHITECTURAL SYSTEMS  
A DIVISION OF  
EASTERN METAL SUPPLY  
10030 BAVARIA ROAD  
FORT MYERS, FLORIDA 33913  
800-432-2204

SERIES FWI 1000 IMPACT  
SINGLE HUNG WINDOW  
ELEVATIONS

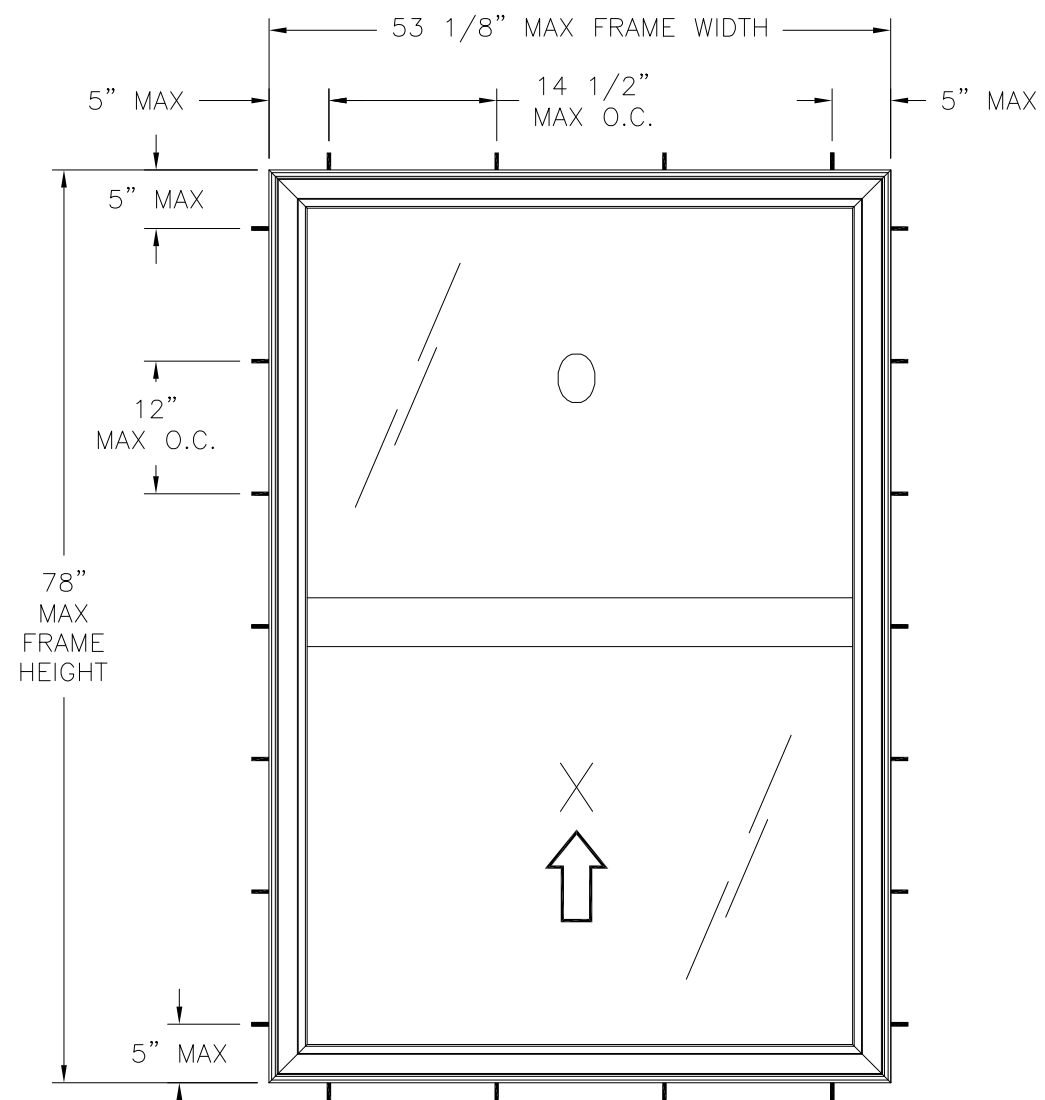
DRAWN: V.L.	DWG NO. 08-02476	REV A
SCALE NTS	DATE 08/20/14	SHEET 4 OF 12

L. ROBERTO LOMAS P.E.  
1432 WOODFORD RD LEWISVILLE, NC 27023  
434-688-0609 rllomas@rlomaspe.com

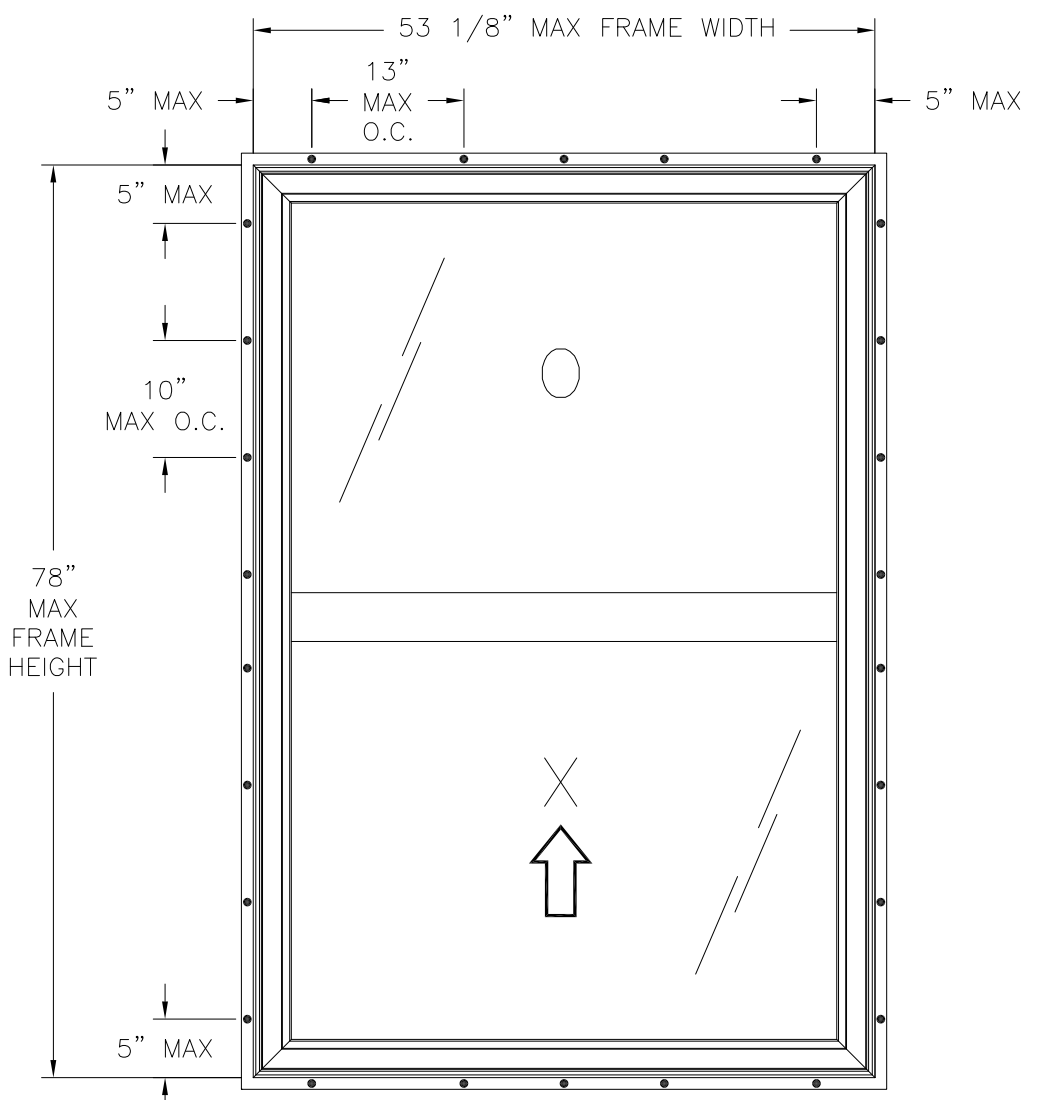


Luis R. Lomas P.E.  
FL No.: 62514

REVISIONS			
REV	DESCRIPTION	DATE	APPROVED
A	REVISED GLAZING DETAILS	12/26/17	R.L.



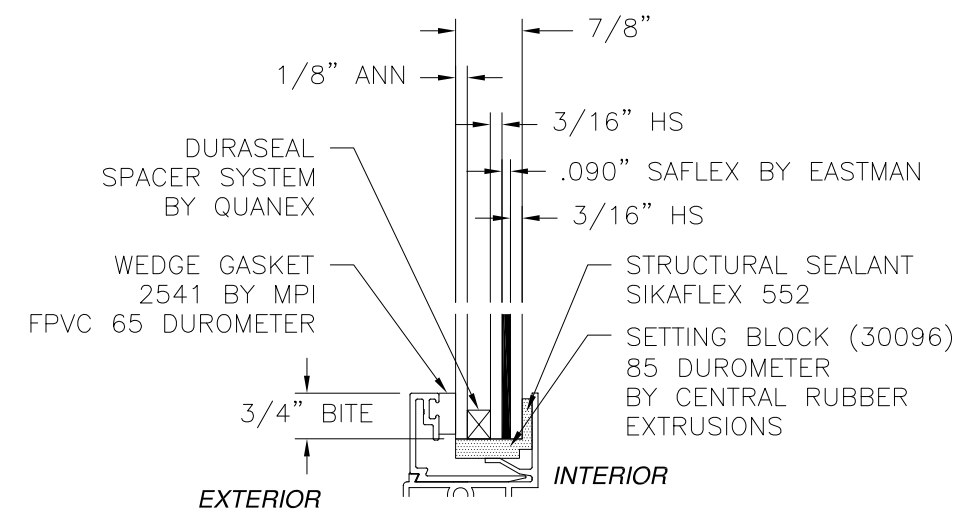
**SERIES FWI 1000 IMPACT SINGLE HUNG WINDOW**  
EXTERIOR VIEW FRAME INSTALLATION



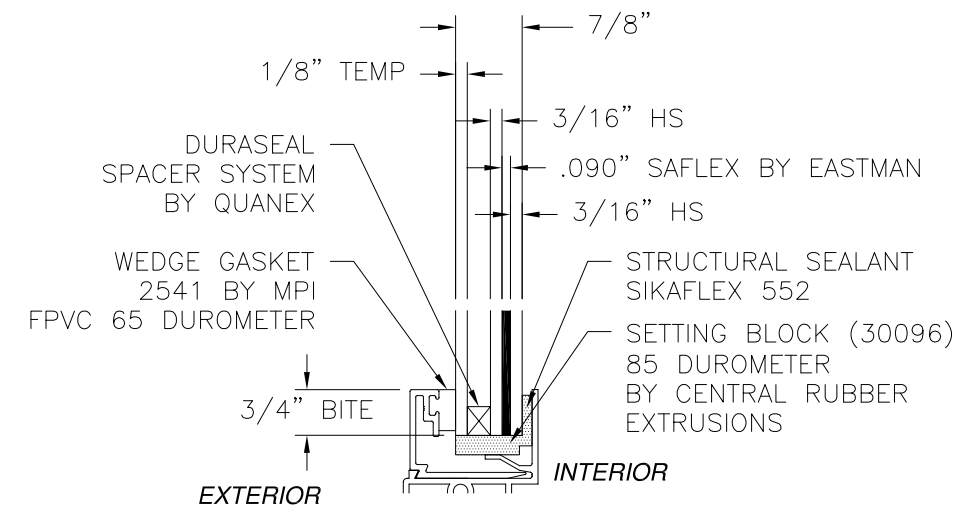
**SERIES FWI 1000 IMPACT SINGLE HUNG WINDOW**  
EXTERIOR VIEW FIN INSTALLATION

DESIGN PRESSURE RATING	IMPACT RATING
+80.0/-100.0PSF	LARGE AND SMALL MISSILE IMPACT

MISSILE LEVEL D, WIND ZONE 4, AND HVHZ WITH GLAZING D



**GLAZING DETAIL D**  
WHEN USED OUTSIDE THE HVHZ



**GLAZING DETAIL D**  
WHEN USED IN THE HVHZ

NOTES:

1. SASH SIZE: 50 1/2" X 39 1/2".
2. D.L.O.: 47 1/2" X 33 1/2".
3. HARDWARE:
  - a. (1) METALLIC CAM LOCK LOCATED MIDSPAN OF TOP RAIL AND ANCHORED TO FIXED MEETING RAIL.
  - b. (2) SPIRAL BALANCE LOCATED ON EACH JAMB.
  - c. (2) BALANCE SHOES LOCATED ON EACH SASH BOTTOM RAIL END.
4. NO REINFORCEMENTS.

SIGNED: 12/26/2017

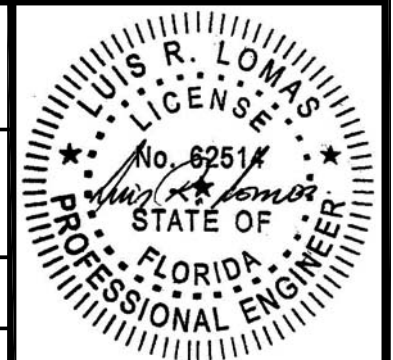
**Eastern**  
ARCHITECTURAL SYSTEMS  
ALUMINUM AND VINYL  
IMPACT WINDOWS AND DOORS

EASTERN ARCHITECTURAL SYSTEMS  
A DIVISION OF  
EASTERN METAL SUPPLY  
10030 BAVARIA ROAD  
FORT MYERS, FLORIDA 33913  
800-432-2204

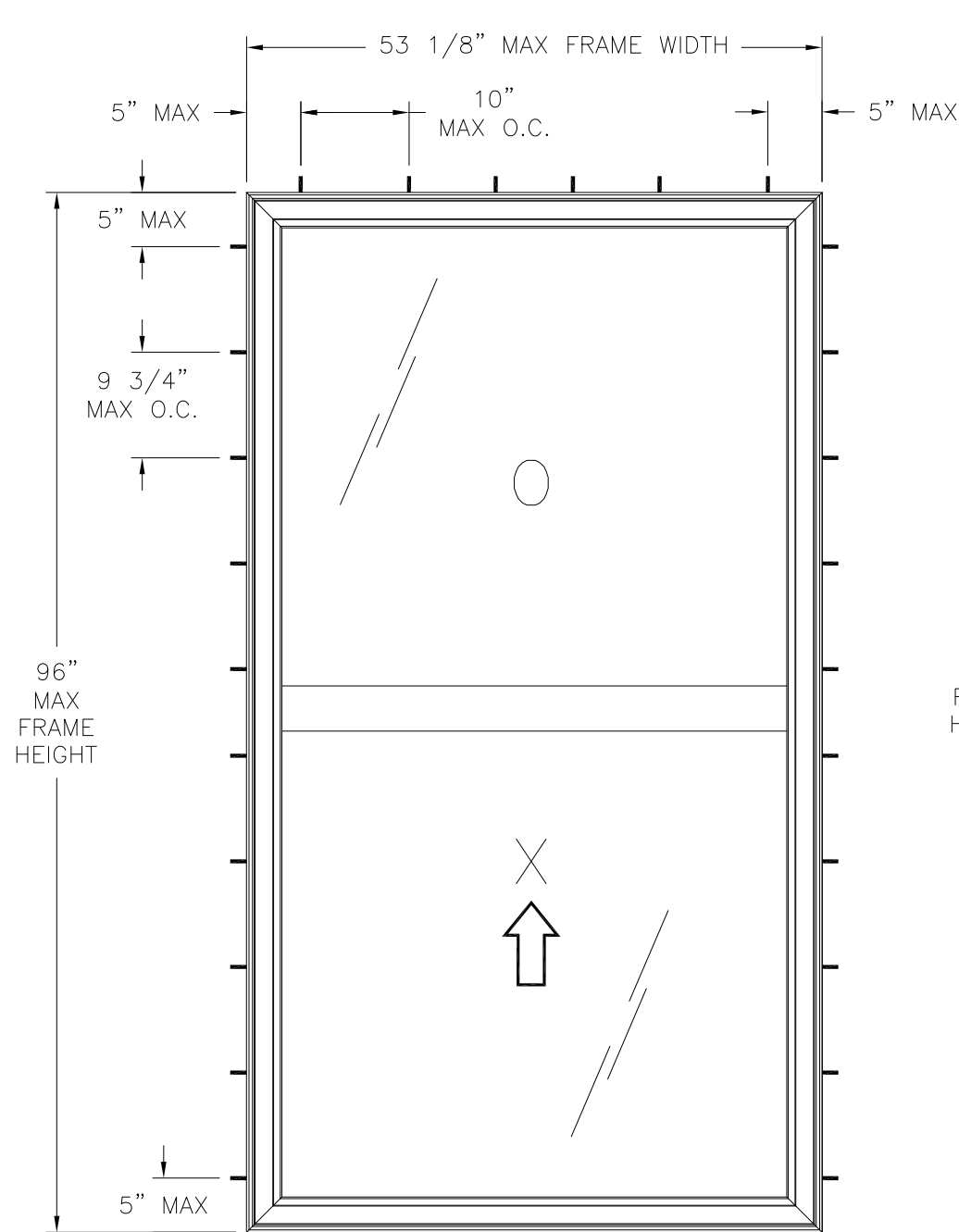
SERIES FWI 1000 IMPACT  
SINGLE HUNG WINDOW  
ELEVATIONS

DRAWN: V.L.	DWG NO. 08-02476	REV A
SCALE NTS	DATE 08/20/14	SHEET 5 OF 12

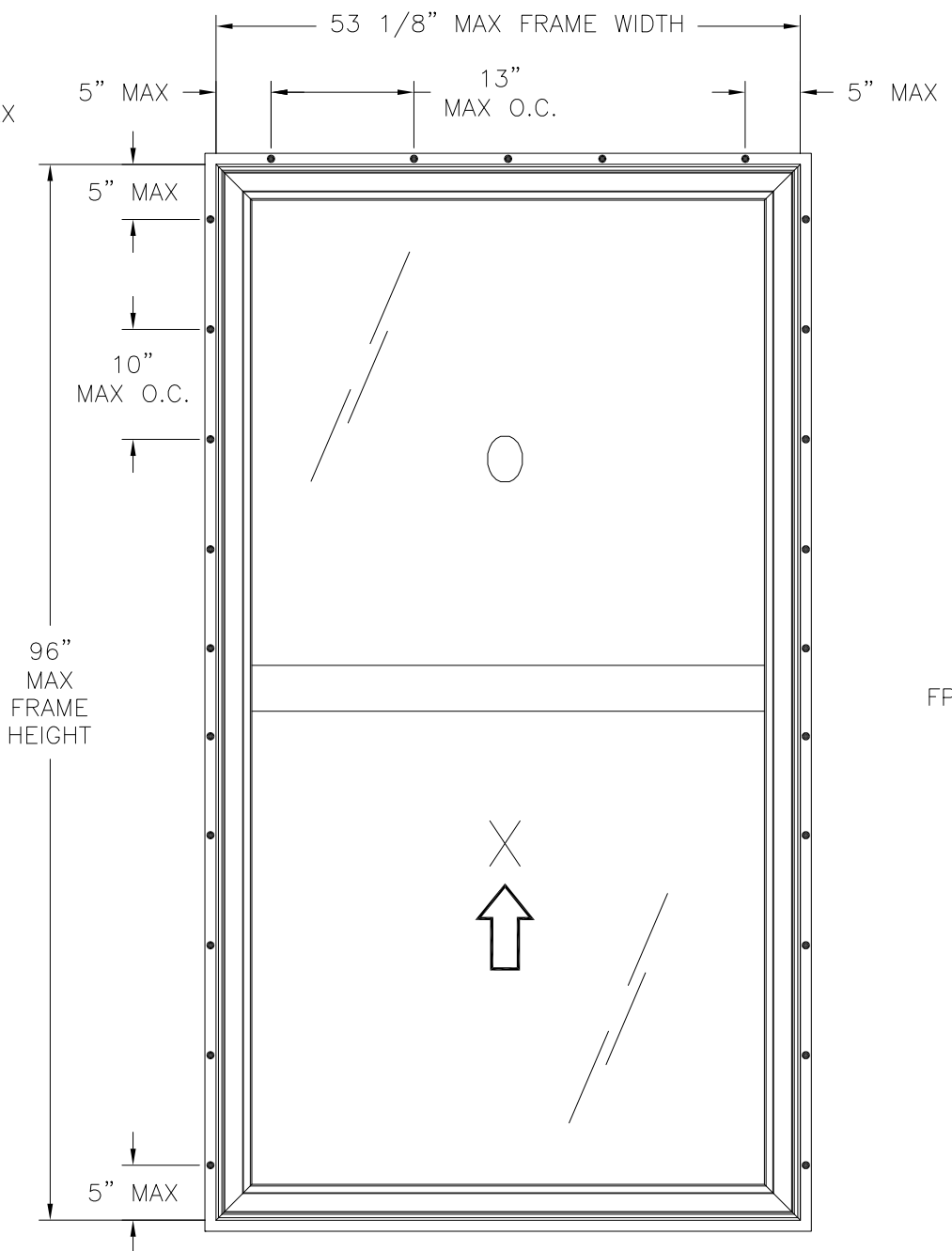
L. ROBERTO LOMAS P.E.  
1432 WOODFORD RD LEWISVILLE, NC 27023  
434-688-0609 rllomas@rlomaspe.com



Luis R. Lomas P.E.  
FL No.: 62514

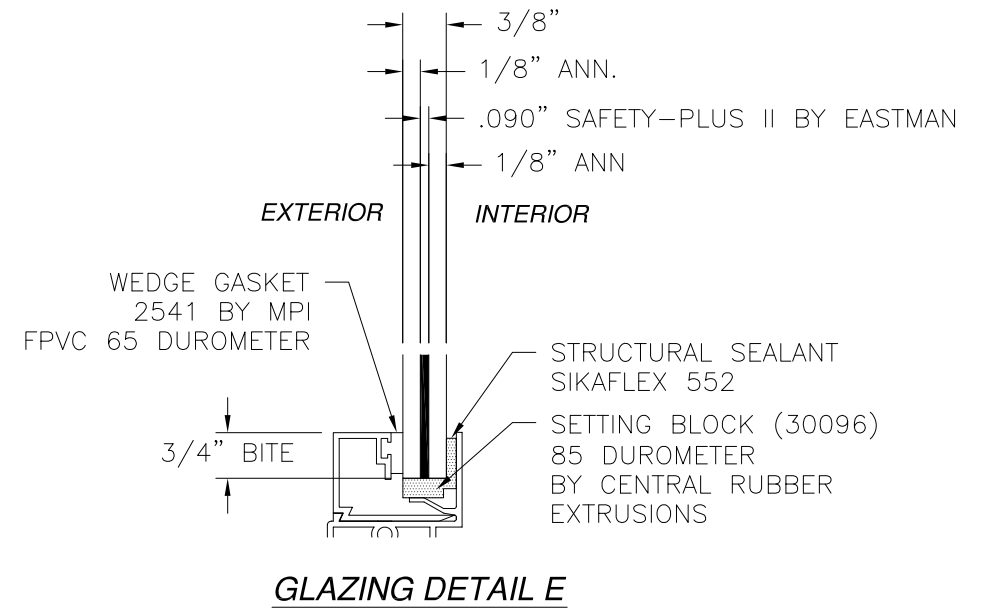


**SERIES FWI 1000 IMPACT SINGLE HUNG WINDOW**  
EXTERIOR VIEW FRAME INSTALLATION



**SERIES FWI 1000 IMPACT SINGLE HUNG WINDOW**  
EXTERIOR VIEW FIN INSTALLATION

REVISIONS			
REV	DESCRIPTION	DATE	APPROVED
A	REVISED GLAZING DETAILS	12/26/17	R.L.



**GLAZING DETAIL E**

- NOTES:
- SASH SIZE: 50 7/16" X 48 1/4".
  - D.L.O.: 47 5/8" X 43 5/8".
  - HARDWARE:
    - (1) METALLIC CAM LOCK LOCATED MIDSPAN OF TOP RAIL AND ANCHORED TO FIXED MEETING RAIL.
    - (2) SPIRAL BALANCE LOCATED ON EACH JAMB.
    - (2) BALANCE SHOES LOCATED ON EACH SASH BOTTOM RAIL END.
  - NO REINFORCEMENTS.
  - ALL UNITS RATED UP TO ±60.0PSF MAY BE INSTALLED WITHOUT ANCHORS AT THE SILL.

DESIGN PRESSURE RATING	IMPACT RATING
±60.0PSF	LARGE AND SMALL MISSILE IMPACT

MISSILE LEVEL D, WIND ZONE 4, AND HVHZ WITH GLAZING E



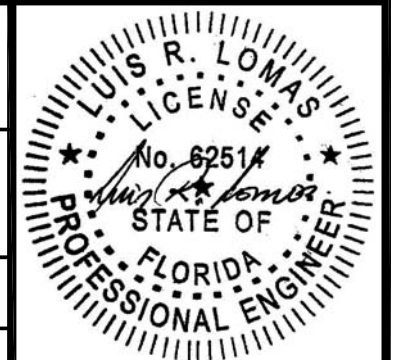
EASTERN ARCHITECTURAL SYSTEMS  
 A DIVISION OF  
 EASTERN METAL SUPPLY  
 10030 BAVARIA ROAD  
 FORT MYERS, FLORIDA 33913  
 800-432-2204

**SERIES FWI 1000 IMPACT SINGLE HUNG WINDOW ELEVATIONS**

DRAWN: V.L.	DWG NO. 08-02476	REV A
SCALE NTS	DATE 08/20/14	SHEET 6 OF 12

L. ROBERTO LOMAS P.E.  
 1432 WOODFORD RD LEWISVILLE, NC 27023  
 434-688-0609 rllomas@rlomaspe.com

SIGNED: 12/26/2017

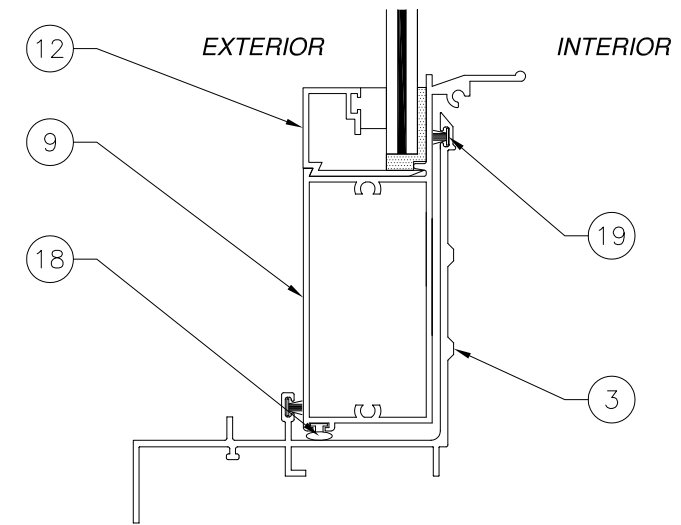
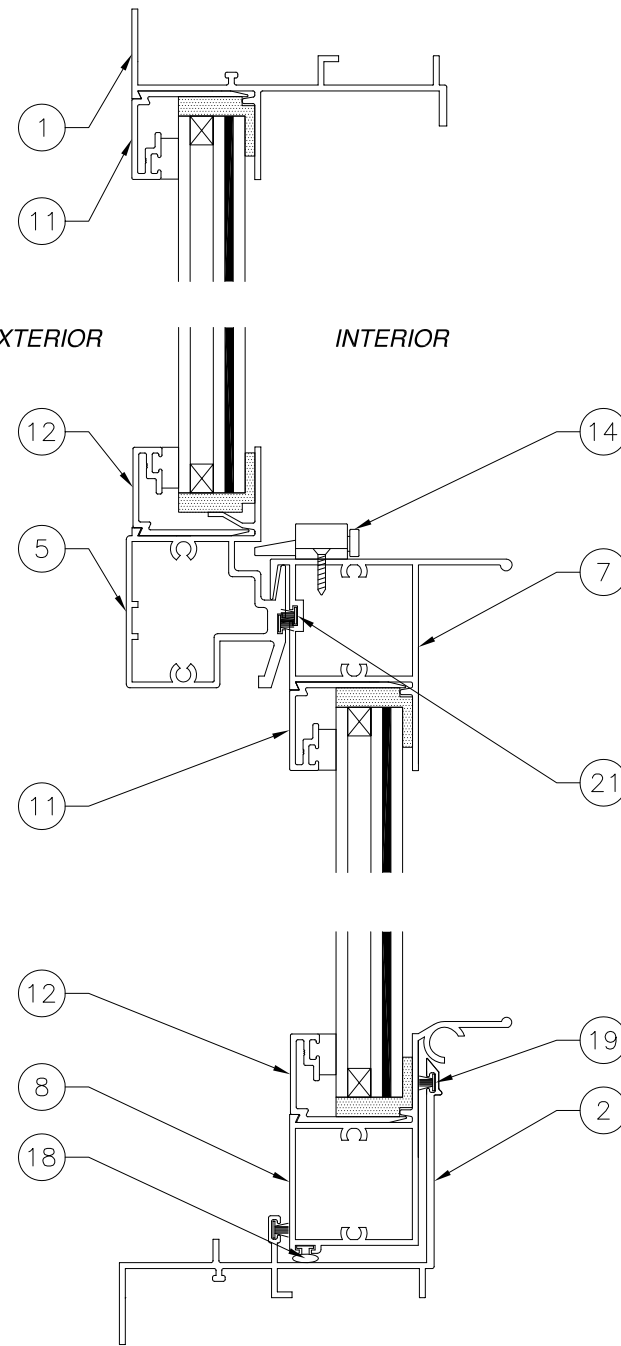


Luis R. Lomas P.E.  
FL No.: 62514

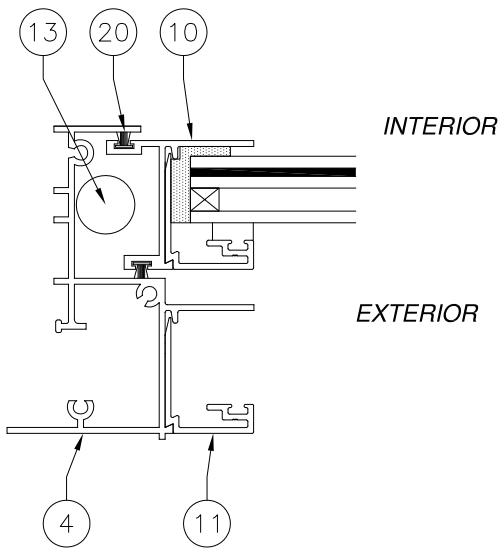
BILL OF MATERIALS				
ITEM NO.:	PART NO.:	DESCRIPTION	MANUFACTURER	MATERIAL
1		FRAME HEAD	EAS	ALUMINUM 6063-T6
2		FRAME SILL	EAS	ALUMINUM 6063-T6
3		HI-RISE SILL	EAS	ALUMINUM 6063-T6
4		FRAME JAMB	EAS	ALUMINUM 6063-T6
5		FIXED MEETING RAIL	EAS	ALUMINUM 6063-T6
6		APPLIED FIN	EAS	ALUMINUM 6063-T6
7		MEETING RAIL	EAS	ALUMINUM 6063-T6
8		LIFT RAIL	EAS	ALUMINUM 6063-T6
9		HI-RISE LIFT RAIL	EAS	ALUMINUM 6063-T6
10		SASH JAMB	EAS	ALUMINUM 6063-T6
11		IG GLAZING BEAD	EAS	ALUMINUM 6063-T6
12		MONOLITHIC GLAZING BEAD	EAS	ALUMINUM 6063-T6
13		CADWELL SPIRAL BALANCER	EAS	
14		SASH LOCK	EAS	DIE-CAST ZINC
15		BALANCER PIVOT LOCK	EAS	
16		VENT STOPS	EAS	
17		BALANCER PIVOT BARS	EAS	
18		LIFT RAIL BULB	EAS	VINYL
19		FRAME SILL BULB	EAS	VINYL
20		SASH WEATHERSTRIPPING	EAS	
21		RAIL WEATHERSTRIPPING	EAS	

FOR ILLUSTRATION PURPOSES ONLY  
 FOR INSTALLATION DETAILS  
 REFER TO SHEETS 9-12

REVISIONS			
REV	DESCRIPTION	DATE	APPROVED
A	REVISED GLAZING DETAILS	12/26/17	R.L.




VERTICAL SECTION



HORIZONTAL SECTION

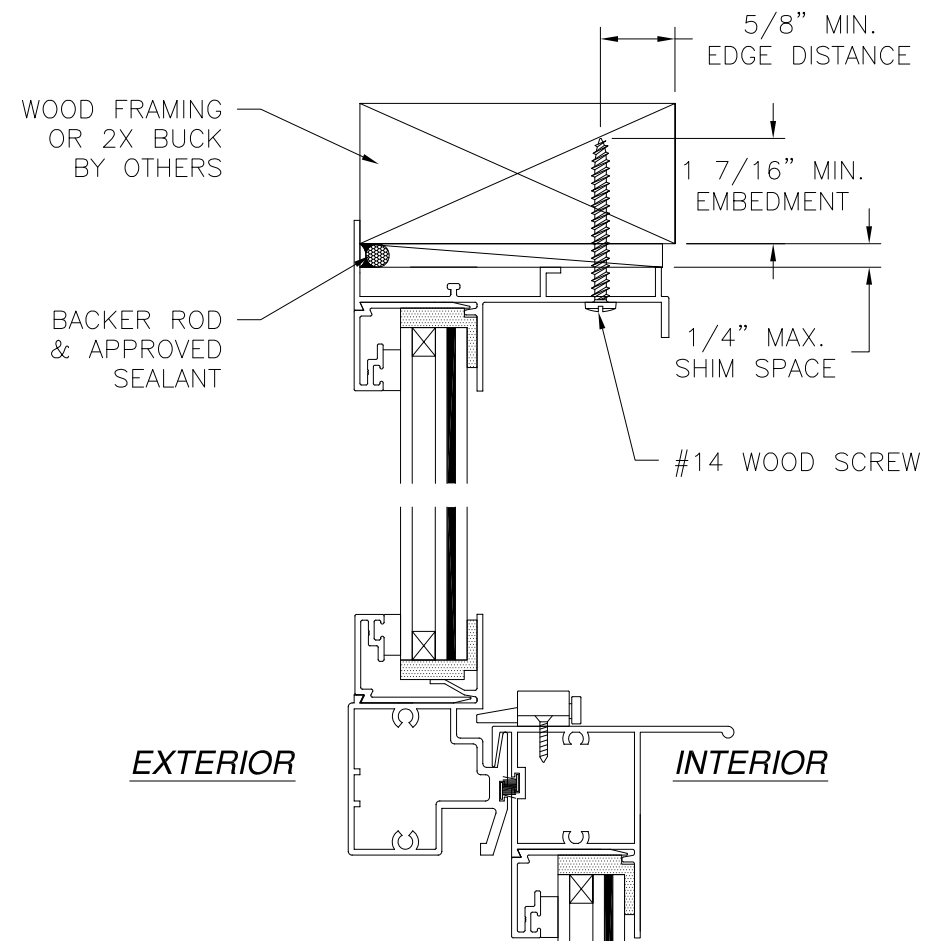
SIGNED: 12/26/2017

		EASTERN ARCHITECTURAL SYSTEMS A DIVISION OF EASTERN METAL SUPPLY	
10030 BAVARIA ROAD FORT MYERS, FLORIDA 33913 800-432-2204			
SERIES FWI 1000 IMPACT SINGLE HUNG WINDOW B.O.M. AND CROSS SECTIONS			
DRAWN: V.L.	DWG NO. 08-02476	REV A	
SCALE NTS	DATE 08/20/14	SHEET 7 OF 12	
L. ROBERTO LOMAS P.E. 1432 WOODFORD RD LEWISVILLE, NC 27023 434-688-0609 rllomas@rlomaspe.com			

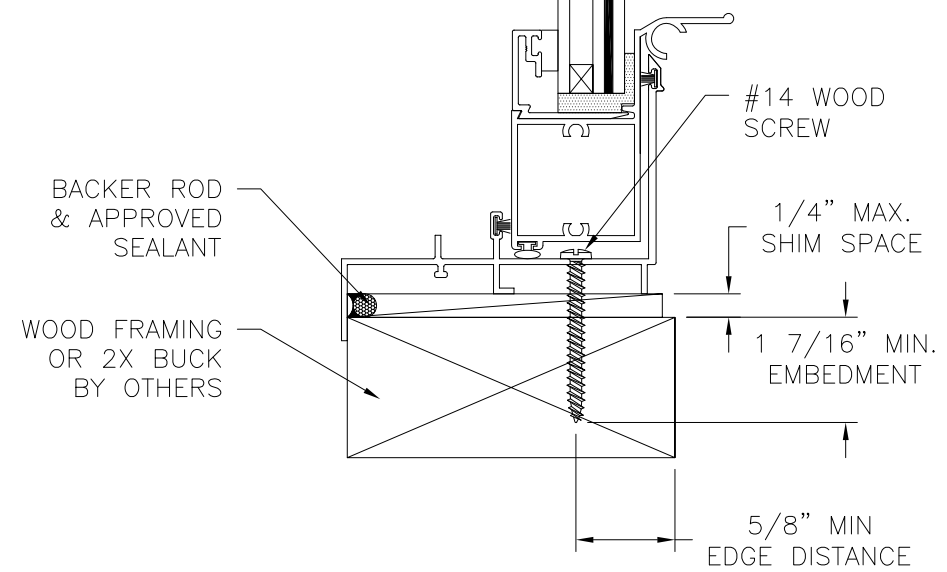


Luis R. Lomas P.E.  
 FL No.: 62514

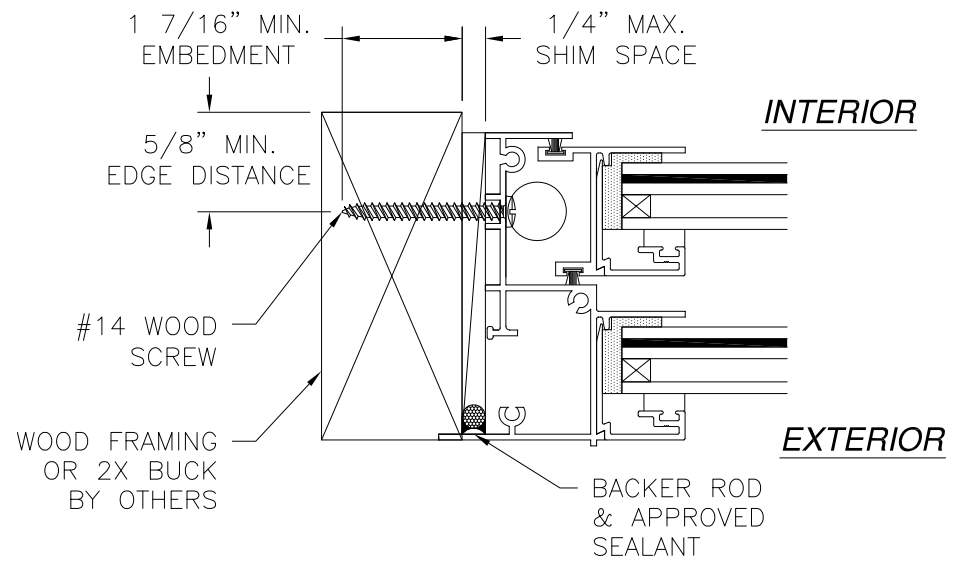
REVISIONS			
REV	DESCRIPTION	DATE	APPROVED
A	REVISED GLAZING DETAILS	12/26/17	R.L.



**EXTERIOR** **INTERIOR**




**VERTICAL CROSS SECTION**  
WOOD FRAMING OR 2X BUCK INSTALLATION  
STANDARD SILL SHOWN, HI RISE SIMILAR

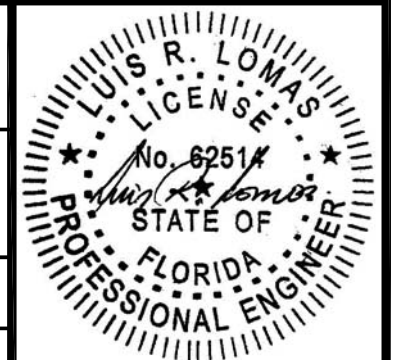


**JAMB INSTALLATION DETAIL**  
WOOD FRAMING OR 2X BUCK INSTALLATION

**NOTES:**  
1. INTERIOR AND EXTERIOR FINISHES, BY OTHERS, NOT SHOWN FOR CLARITY.  
2. PERIMETER AND JOINT SEALANT BY OTHERS TO BE DESIGNED IN ACCORDANCE WITH ASTM E2112

SIGNED: 12/26/2017

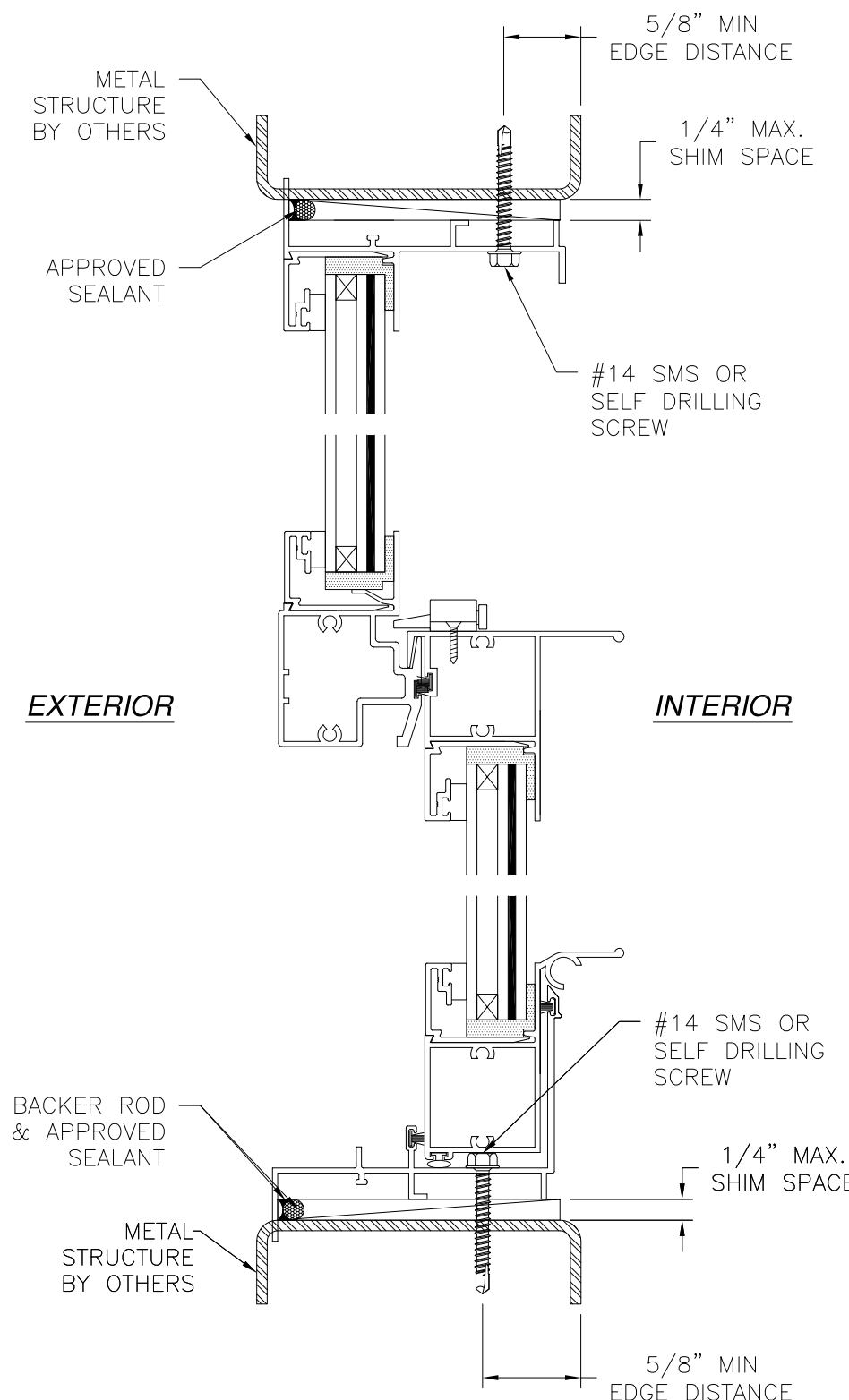
		EASTERN ARCHITECTURAL SYSTEMS A DIVISION OF EASTERN METAL SUPPLY 10030 BAVARIA ROAD FORT MYERS, FLORIDA 33913 800-432-2204	
<b>SERIES FWI 1000 IMPACT SINGLE HUNG WINDOW INSTALLATION DETAILS</b>			
DRAWN: V.L.	DWG NO. 08-02476	REV A	
SCALE NTS	DATE 08/20/14	SHEET 8 OF 12	
L. ROBERTO LOMAS P.E. 1432 WOODFORD RD LEWISVILLE, NC 27023 434-688-0609 rllomas@rlomaspe.com			



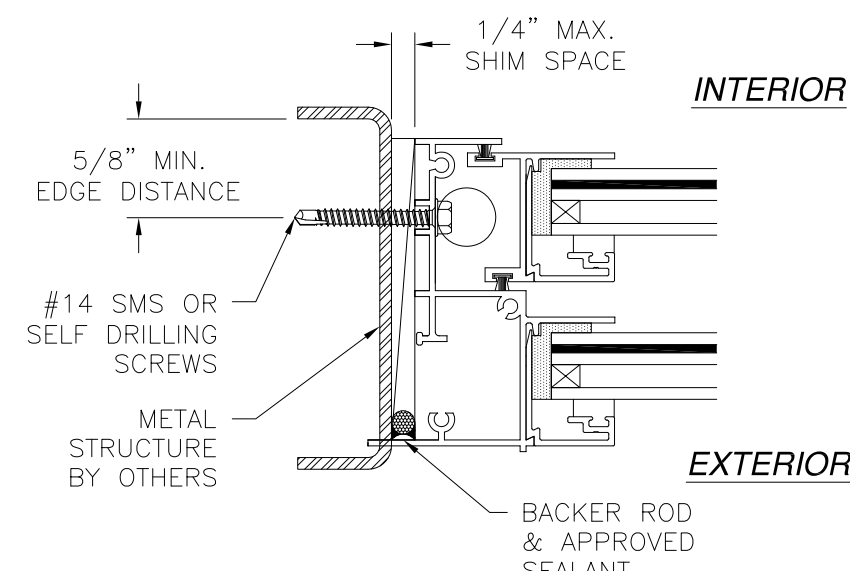
Luis R. Lomas P.E.  
FL No.: 62514



REVISIONS			
REV	DESCRIPTION	DATE	APPROVED
A	REVISED GLAZING DETAILS	12/26/17	R.L.



**VERTICAL CROSS SECTION**  
**METAL STRUCTURE INSTALLATION**  
 STANDARD SILL SHOWN, HI RISE SIMILAR

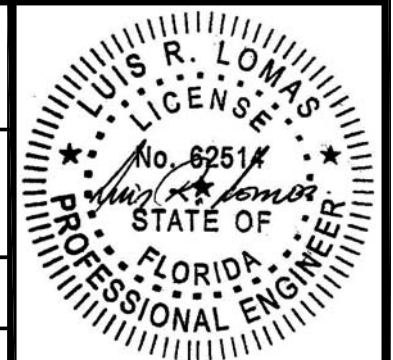


**JAMB INSTALLATION DETAIL**  
**METAL STRUCTURE INSTALLATION**

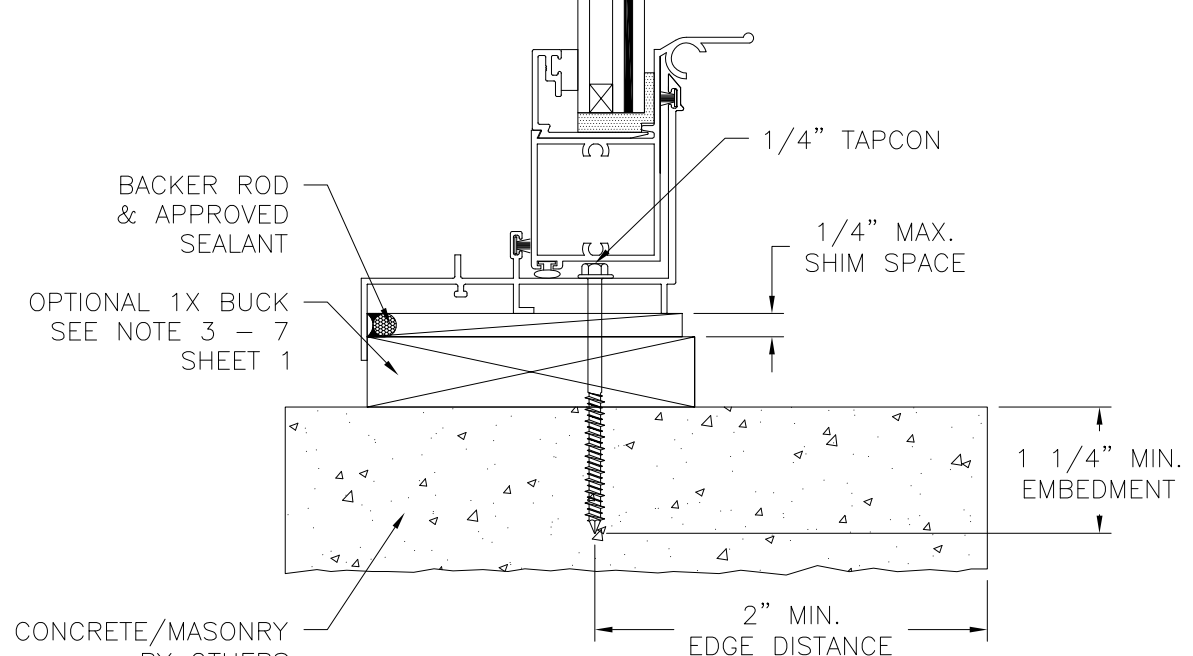
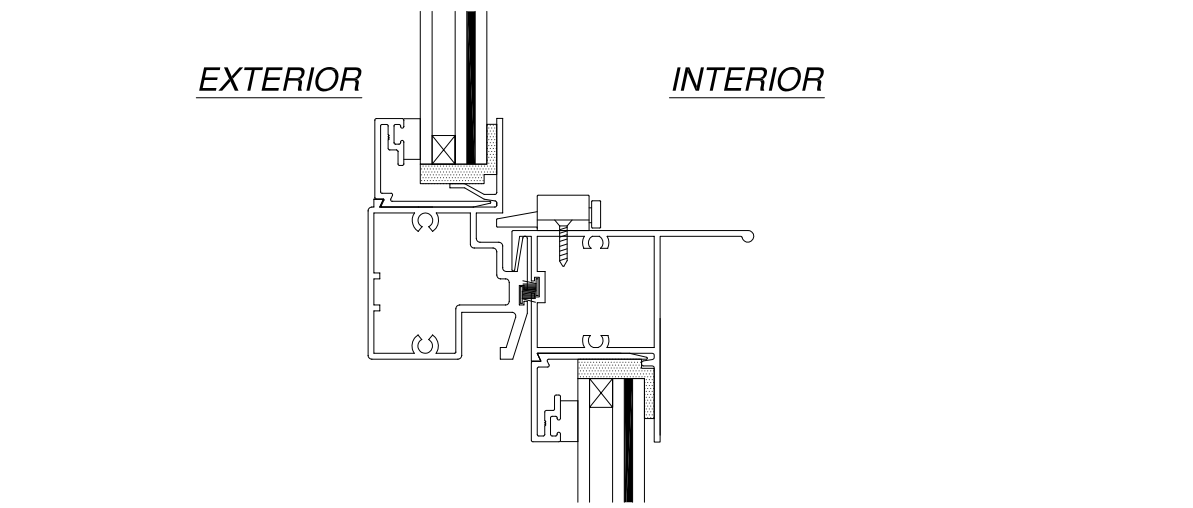
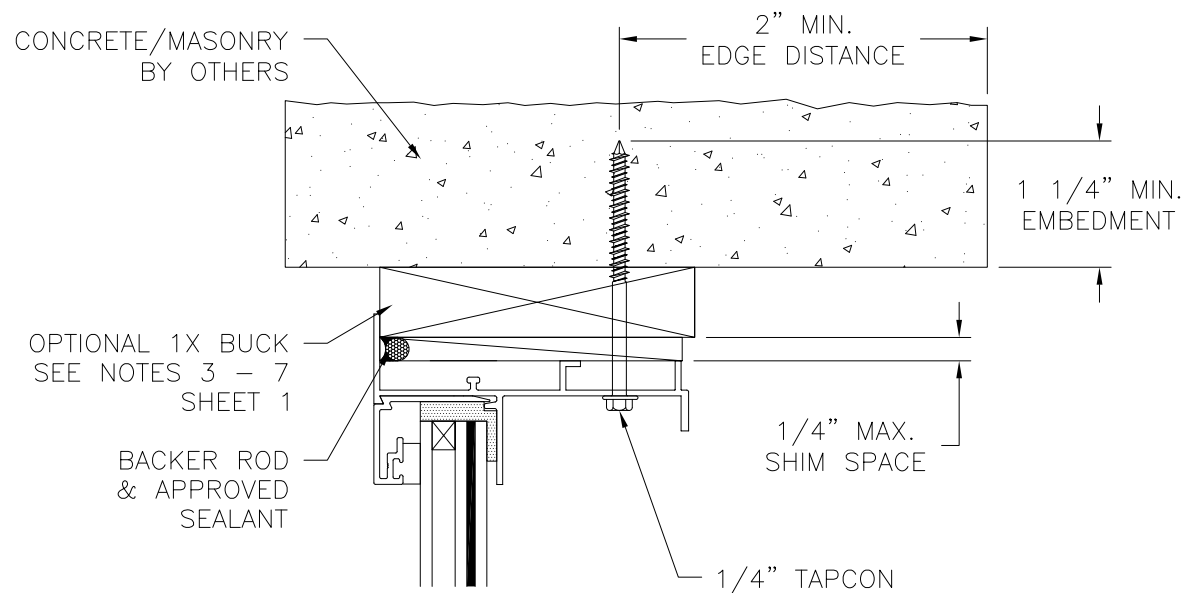
**NOTES:**  
 1. INTERIOR AND EXTERIOR FINISHES, BY OTHERS, NOT SHOWN FOR CLARITY.  
 2. PERIMETER AND JOINT SEALANT BY OTHERS TO BE DESIGNED IN ACCORDANCE WITH ASTM E2112

SIGNED: 12/26/2017

		EASTERN ARCHITECTURAL SYSTEMS A DIVISION OF EASTERN METAL SUPPLY 10030 BAVARIA ROAD FORT MYERS, FLORIDA 33913 800-432-2204	
SERIES FWI 1000 IMPACT SINGLE HUNG WINDOW INSTALLATION DETAILS			
DRAWN: V.L.	DWG NO. 08-02476	REV A	
SCALE NTS	DATE 08/20/14	SHEET 9 OF 12	
L. ROBERTO LOMAS P.E. 1432 WOODFORD RD LEWISVILLE, NC 27023 434-688-0609 rllomas@rlomaspe.com			

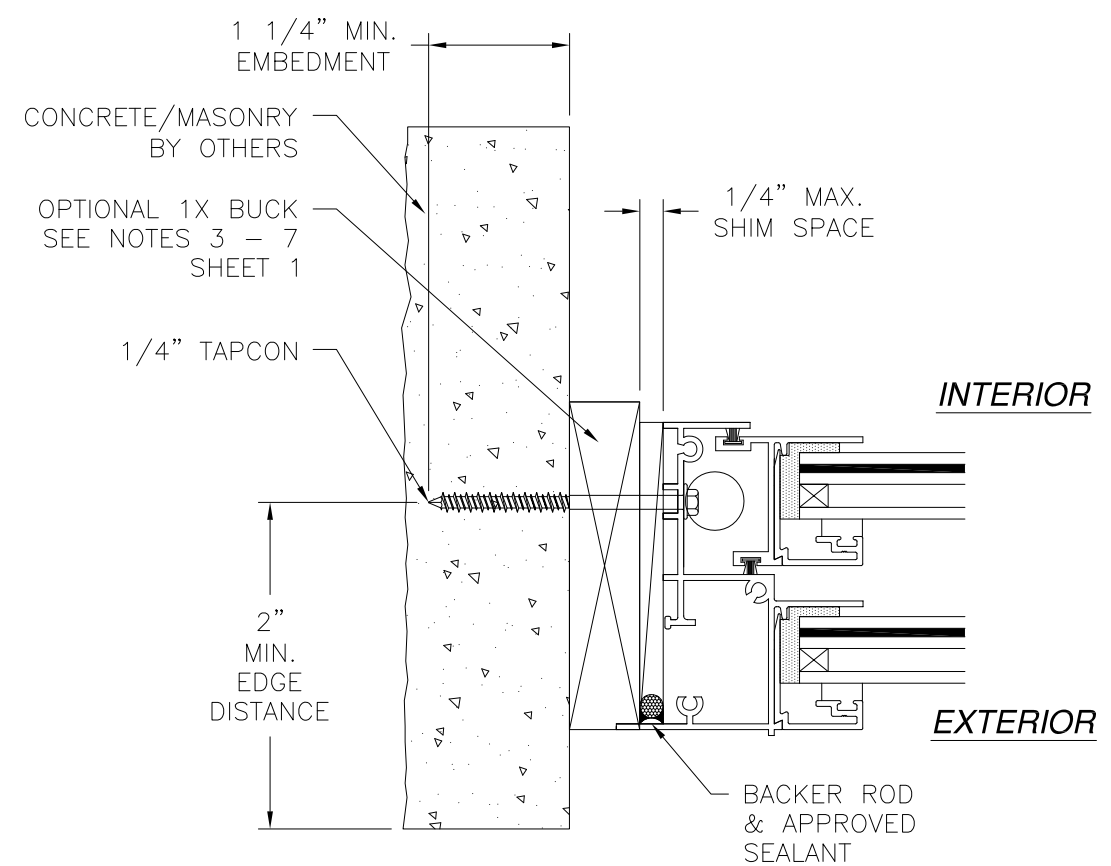


Luis R. Lomas P.E.  
 FL No.: 62514



**VERTICAL CROSS SECTION**  
**CONCRETE/MASONRY INSTALLATION**  
**STANDARD SILL SHOWN, HI RISE SIMILAR**


REVISIONS			
REV	DESCRIPTION	DATE	APPROVED
A	REVISED GLAZING DETAILS	12/26/17	R.L.

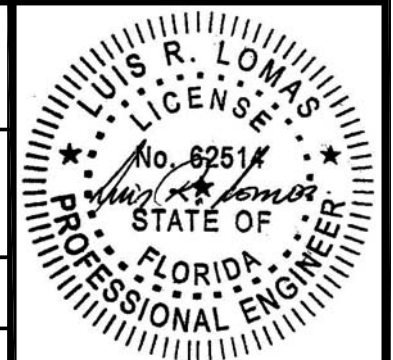


**JAMB INSTALLATION DETAIL**  
**CONCRETE/MASONRY INSTALLATION**

- NOTES:**
1. INTERIOR AND EXTERIOR FINISHES, BY OTHERS, NOT SHOWN FOR CLARITY.
  2. PERIMETER AND JOINT SEALANT BY OTHERS TO BE DESIGNED IN ACCORDANCE WITH ASTM E2112

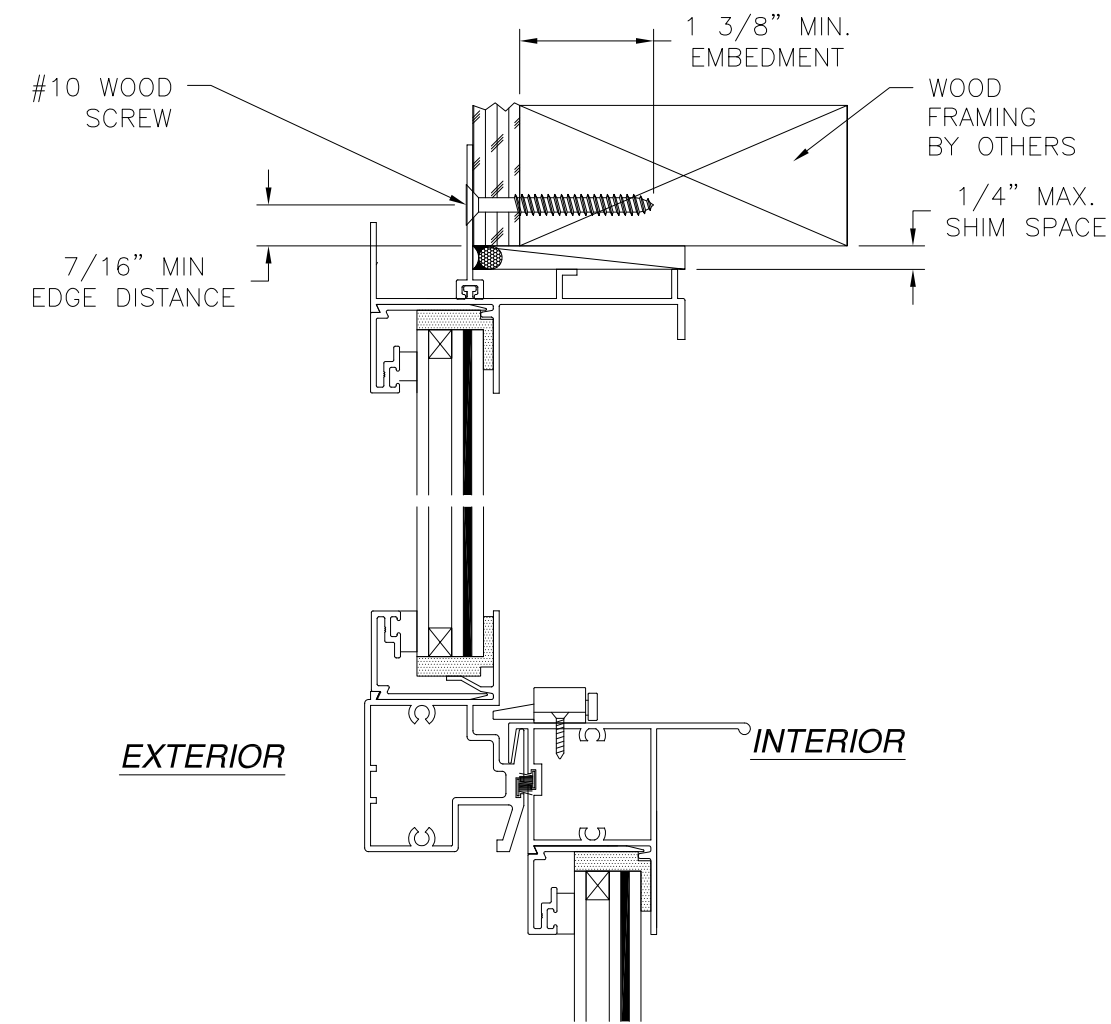
SIGNED: 12/26/2017

		EASTERN ARCHITECTURAL SYSTEMS A DIVISION OF EASTERN METAL SUPPLY 10030 BAVARIA ROAD FORT MYERS, FLORIDA 33913 800-432-2204	
<b>SERIES FWI 1000 IMPACT          SINGLE HUNG WINDOW          INSTALLATION DETAILS</b>			
DRAWN: V.L.	DWG NO. 08-02476	REV A	
SCALE NTS	DATE 08/20/14	SHEET 10 OF 12	
L. ROBERTO LOMAS P.E. 1432 WOODFORD RD LEWISVILLE, NC 27023 434-688-0609 rllomas@rlomaspe.com			

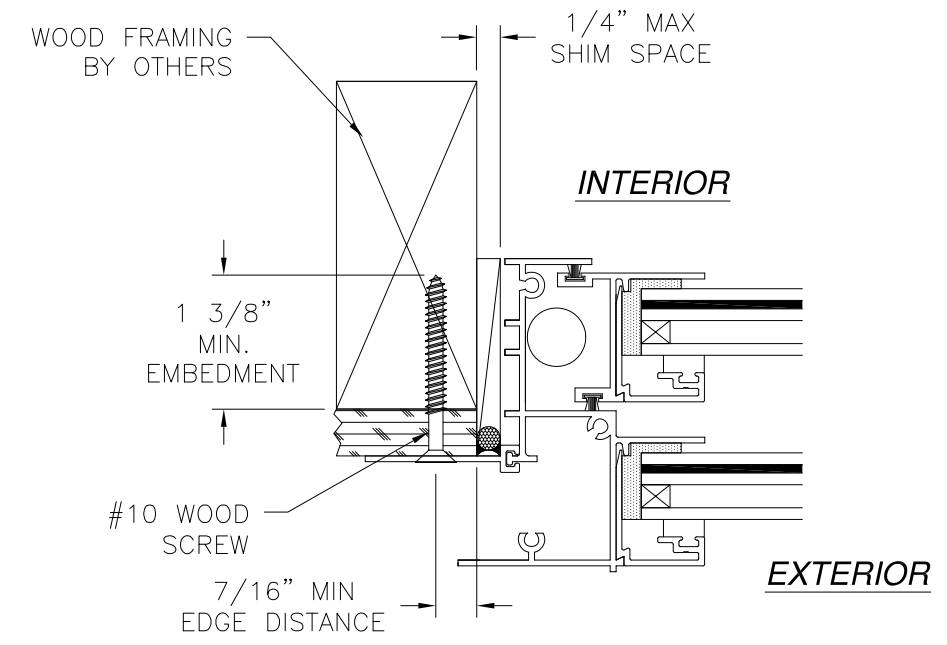


Luis R. Lomas P.E.  
 FL No.: 62514

REVISIONS			
REV	DESCRIPTION	DATE	APPROVED
A	REVISED GLAZING DETAILS	12/26/17	R.L.




**VERTICAL CROSS SECTION**  
WOOD FRAMING OR 2X BUCK INSTALLATION

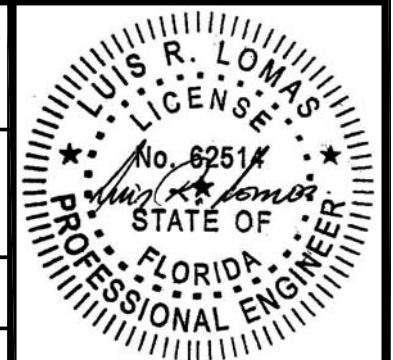


**JAMB INSTALLATION DETAIL**  
WOOD FRAMING OR 2X BUCK INSTALLATION

- NOTES:**
1. INTERIOR AND EXTERIOR FINISHES, BY OTHERS, NOT SHOWN FOR CLARITY.
  2. PERIMETER AND JOINT SEALANT BY OTHERS TO BE DESIGNED IN ACCORDANCE WITH ASTM E2112

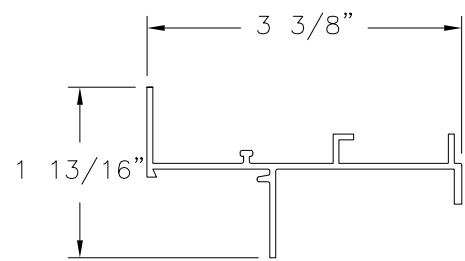
SIGNED: 12/26/2017

		EASTERN ARCHITECTURAL SYSTEMS A DIVISION OF EASTERN METAL SUPPLY 10030 BAVARIA ROAD FORT MYERS, FLORIDA 33913 800-432-2204	
<b>SERIES FWI 1000 IMPACT SINGLE HUNG WINDOW INSTALLATION DETAILS</b>			
DRAWN: V.L.	DWG NO. 08-02476	REV A	
SCALE NTS	DATE 08/20/14	SHEET 11 OF 12	
L. ROBERTO LOMAS P.E. 1432 WOODFORD RD LEWISVILLE, NC 27023 434-688-0609 rllomas@rlomaspe.com			

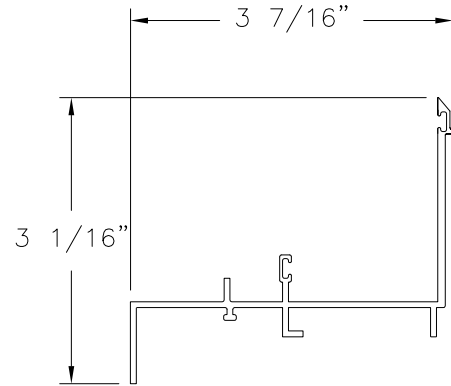


Luis R. Lomas P.E.  
FL No.: 62514

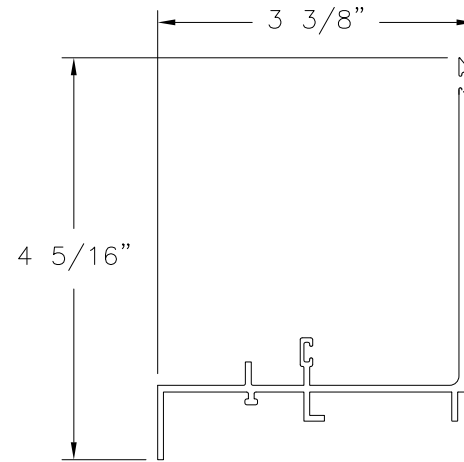
REVISIONS			
REV	DESCRIPTION	DATE	APPROVED
A	REVISED GLAZING DETAILS	12/26/17	R.L.



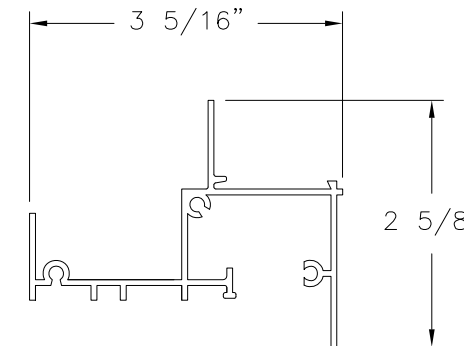
① **FRAME HEAD**  
ALUMINUM 6063-T6  
.062" THICK



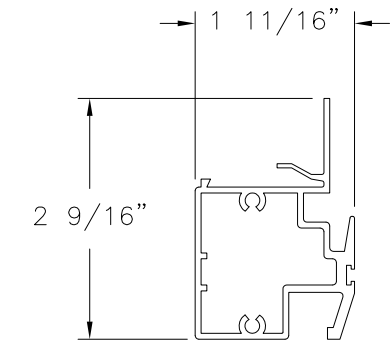
② **FRAME SILL**  
ALUMINUM 6063-T6  
.062" THICK



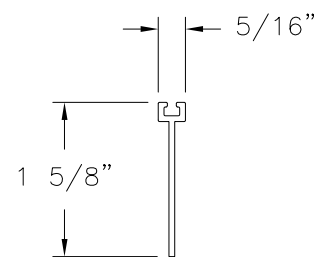
③ **FRAME HI RISE SILL**  
ALUMINUM 6063-T6  
.062" THICK



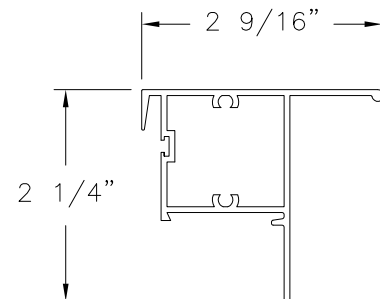
④ **FRAME JAMB**  
ALUMINUM 6063-T6  
.062" THICK



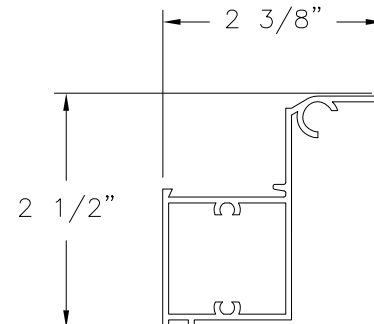
⑤ **FIXED MEETING RAIL**  
ALUMINUM 6063-T6  
.062" THICK



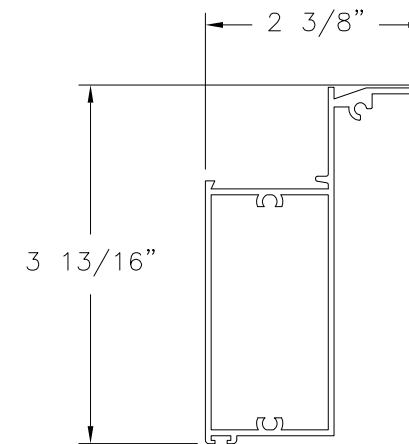
⑥ **APPLIED FIN**  
ALUMINUM 6063-T6  
.062" THICK



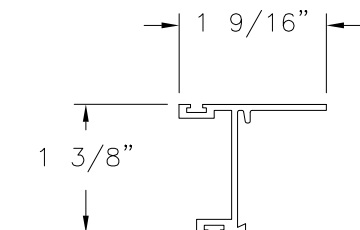
⑦ **MEETING RAIL**  
ALUMINUM 6063-T6  
.062" THICK



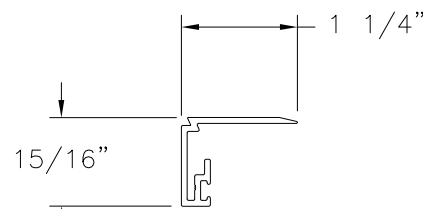
⑧ **LIFT RAIL**  
ALUMINUM 6063-T6  
.062" THICK



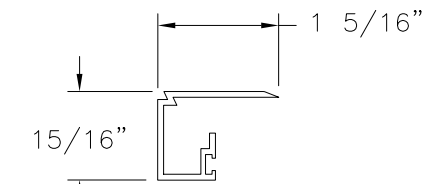
⑨ **HI RISE IMPACT LIFT RAIL**  
ALUMINUM 6063-T6  
.062" THICK



⑩ **SASH JAMB**  
ALUMINUM 6063-T6  
.062" THICK



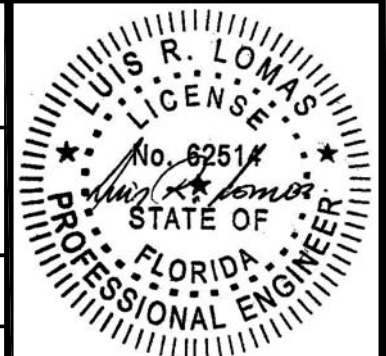
⑪ **INSULATING BEAD**  
ALUMINUM 6063-T6  
.062" THICK



⑫ **GLAZING BEAD**  
ALUMINUM 6063-T6  
.062" THICK

		EASTERN ARCHITECTURAL SYSTEMS A DIVISION OF EASTERN METAL SUPPLY 10030 BAVARIA ROAD FORT MYERS, FLORIDA 33913 800-432-2204	
<b>SERIES FWI 1000 IMPACT SINGLE HUNG WINDOW COMPONENTS</b>			
DRAWN: V.L.	DWG NO. 08-02476	REV A	
SCALE NTS	DATE 08/20/14	SHEET 12 OF 12	
L. ROBERTO LOMAS P.E. 1432 WOODFORD RD LEWISVILLE, NC 27023 434-688-0609 rllomas@rlomaspe.com			

SIGNED: 12/26/2017



Luis R. Lomas P.E.  
FL No.: 62514