


| REVISIONS |                               |          |          |
|-----------|-------------------------------|----------|----------|
| REV       | DESCRIPTION                   | DATE     | APPROVED |
| A         | MANUFACTURER'S NAME CHANGE    | 03/04/09 | R.L.     |
| B         | REVISED PER NEW CERTIFICATION | 08/20/14 | R.L.     |

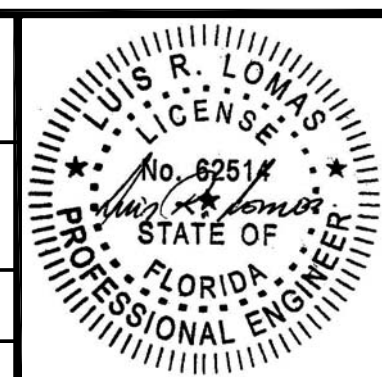
NOTES:

1. THE PRODUCT SHOWN HEREIN IS DESIGNED AND MANUFACTURED TO COMPLY WITH REQUIREMENTS OF THE FLORIDA BUILDING CODE.
2. WOOD FRAMING AND MASONRY OPENING TO BE DESIGNED AND ANCHORED TO PROPERLY TRANSFER ALL LOADS TO STRUCTURE. FRAMING AND MASONRY OPENING IS THE RESPONSIBILITY OF THE ARCHITECT OR ENGINEER OF RECORD.
3. 1X BUCK OVER MASONRY/CONCRETE IS OPTIONAL.
4. WHERE SHIM OR BUCK THICKNESS IS LESS THAN 1-1/2" WINDOW UNITS MUST BE ANCHORED THROUGH THE FRAME IN ACCORDANCE WITH MANUFACTURER'S PUBLISHED INSTALLATION INSTRUCTIONS. ANCHORS SHALL BE SECURELY FASTENED DIRECTLY INTO MASONRY, CONCRETE OR OTHER STRUCTURAL SUBSTRATE MATERIAL.
5. WHERE WOOD BUCK THICKNESS IS 1-1/2" OR GREATER, BUCK SHALL BE SECURELY FASTENED TO MASONRY, CONCRETE OR OTHER STRUCTURAL SUBSTRATE. WINDOW UNITS MAY BE ANCHORED THROUGH FRAME TO SECURED WOOD BUCK IN ACCORDANCE WITH MANUFACTURER'S PUBLISHED INSTALLATION INSTRUCTIONS.
6. WHERE 1X BUCK IS NOT USED DISSIMILAR MATERIALS MUST BE SEPARATED WITH APPROVED COATING OR MEMBRANE. SELECTION OF COATING OR MEMBRANE IS THE RESPONSIBILITY OF THE ARCHITECT OR ENGINEER OF RECORD.
7. BUCKS SHALL EXTEND BEYOND WINDOW INTERIOR FACE SO THAT FULL FRAME SUPPORT IS PROVIDED.
8. FOR FIN INSTALLATION SHIM AS NEEDED. FOR FRAME INSTALLATION SHIM AS REQUIRED AT EACH ANCHOR LOCATION WITH LOAD BEARING SHIM. SHIM WHERE SPACE OF 1/16" OR GREATER OCCURS. MAXIMUM ALLOWABLE SHIM STACK TO BE 1/4".
9. SHIMS SHALL BE LOCATED, APPLIED AND MADE FROM MATERIALS AND THICKNESS CAPABLE OF SUSTAINING APPLICABLE LOADS.
10. WIND LOAD DURATION FACTOR Cd=1.6 WAS USED FOR WOOD ANCHOR CALCULATIONS.
11. FRAME MATERIAL: EXTRUDED RIGID PVC.
12. UNITS MUST BE GLAZED PER ASTM E1300-04.
13. APPROVED IMPACT PROTECTIVE SYSTEM IS REQUIRED FOR THIS PRODUCT IN WIND BORNE DEBRIS REGIONS.
14. FOR ANCHORING INTO WOOD FRAMING OR 2X BUCK USE #10 WOOD SCREWS WITH SUFFICIENT LENGTH TO ACHIEVE A 1 3/8" MINIMUM EMBEDMENT INTO SUBSTRATE. LOCATE ANCHORS AS SHOWN IN ELEVATIONS AND INSTALLATION DETAILS.
15. FOR ANCHORING INTO MASONRY/CONCRETE USE 3/16" TAPCONS WITH SUFFICIENT LENGTH TO ACHIEVE A 1 1/4" MINIMUM EMBEDMENT INTO SUBSTRATE WITH 2 1/2" MINIMUM EDGE DISTANCE. LOCATE ANCHORS AS SHOWN IN ELEVATIONS AND INSTALLATION DETAILS.
16. FOR ANCHORING INTO METAL STRUCTURE USE #10 SMS OR SELF DRILLING SCREWS WITH SUFFICIENT LENGTH TO ACHIEVE 3 THREADS MINIMUM BEYOND STRUCTURE INTERIOR WALL. LOCATE ANCHORS AS SHOWN IN ELEVATIONS AND INSTALLATION DETAILS.
17. ALL FASTENERS TO BE CORROSION RESISTANT.
18. INSTALLATION ANCHORS SHALL BE INSTALLED IN ACCORDANCE WITH ANCHOR MANUFACTURER'S INSTALLATION INSTRUCTIONS AND ANCHORS SHALL NOT BE USED IN SUBSTRATES WITH STRENGTHS LESS THAN THE MINIMUM STRENGTH SPECIFIED BELOW:
  - A. WOOD – MINIMUM SPECIFIC GRAVITY OF G=0.42
  - B. CONCRETE – MINIMUM COMPRESSIVE STRENGTH OF 3,192 PSI.
  - C. MASONRY – STRENGTH CONFORMANCE TO ASTM C-90, GRADE N, TYPE 1 (OR GREATER).
  - D. METAL STRUCTURE: STEEL 18GA, 33KSI OR ALUMINUM 6063-T5 1/8" THICK MINIMUM

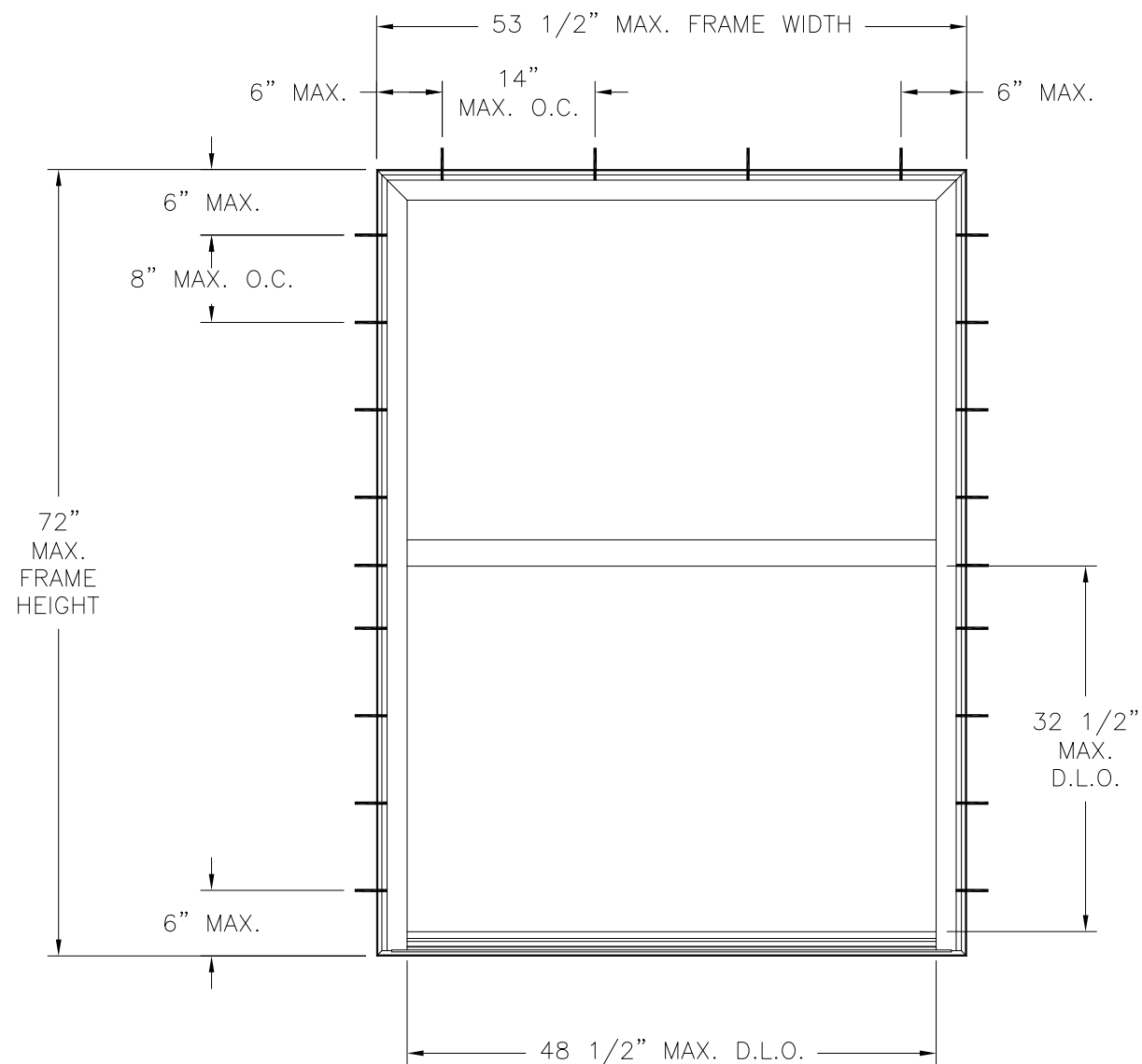
SIGNED: 08/21/2014

| TABLE OF CONTENTS |                      |
|-------------------|----------------------|
| SHEET NO.         | DESCRIPTION          |
| 1                 | NOTES                |
| 2                 | ELEVATION            |
| 3 - 5             | INSTALLATION DETAILS |

|   |  |   |  |
|---|--|---|--|
|  <b>Eastern</b><br>ARCHITECTURAL SYSTEMS<br>ALUMINUM AND VINYL<br>IMPACT WINDOWS AND DOORS |  | EASTERN ARCHITECTURAL SYSTEMS<br>A DIVISION OF<br>EASTERN METAL SUPPLY<br>10030 BAVARIA ROAD<br>FORT MYERS, FLORIDA 33913<br>800-432-2204 |  |
| SERIES 1441 VINYL SINGLE HUNG<br>54 X 72<br>NOTES   |  |   |  |
| DRAWN:<br>A.M   |  | DWG NO.<br>08-00558   |  |
| SCALE NTS   |  | DATE 7/29/08  |  |
| REV B   |  |   |  |
| SHEET 1 OF 5  |  |   |  |




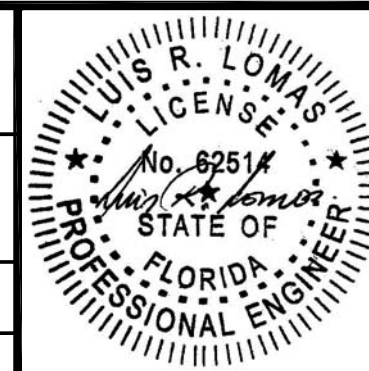
| REVISIONS |                               |          |          |
|-----------|-------------------------------|----------|----------|
| REV       | DESCRIPTION                   | DATE     | APPROVED |
| A         | MANUFACTURER'S NAME CHANGE    | 03/04/09 | R.L.     |
| B         | REVISED PER NEW CERTIFICATION | 08/20/14 | R.L.     |



**SERIES 1441 VINYL SINGLE HUNG WINDOW**  
EXTERIOR VIEW

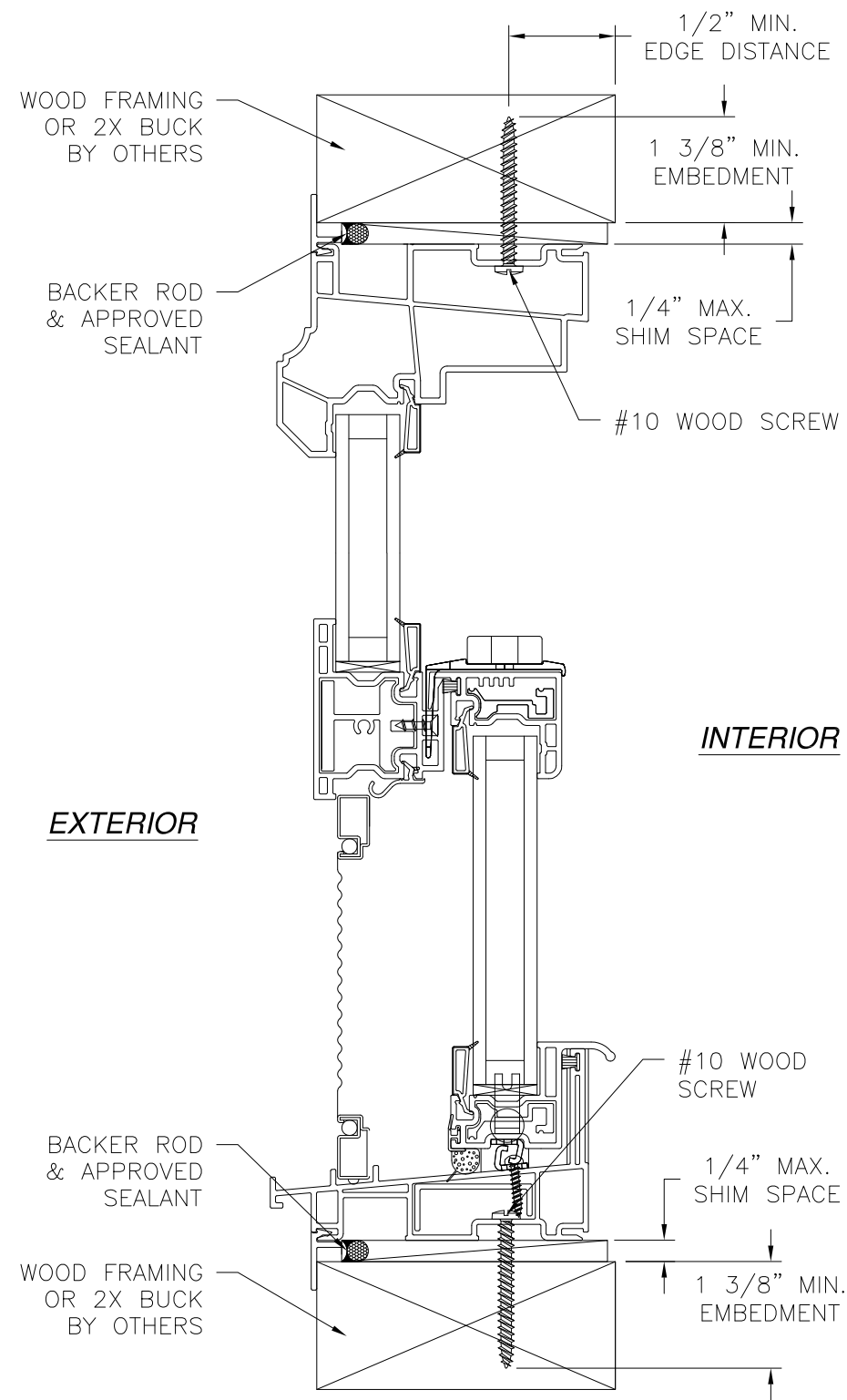
| DESIGN PRESSURE RATING | IMPACT RATING |
|------------------------|---------------|
| ±50.0PSF               | NONE          |

|   |   |              |
|---|---|--------------|
|  <b>Eastern</b><br>ARCHITECTURAL SYSTEMS<br>ALUMINUM AND VINYL<br>IMPACT WINDOWS AND DOORS | EASTERN ARCHITECTURAL SYSTEMS<br>A DIVISION OF<br>EASTERN METAL SUPPLY<br>10030 BAVARIA ROAD<br>FORT MYERS, FLORIDA 33913<br>800-432-2204 |              |
|   | SERIES 1441 VINYL SINGLE HUNG<br>54 X 72<br>ELEVATION   |              |
| DRAWN:<br>A.M   | DWG NO.<br>08-00558   | REV<br>B     |
| SCALE NTS   | DATE 7/29/08  | SHEET 2 OF 5 |



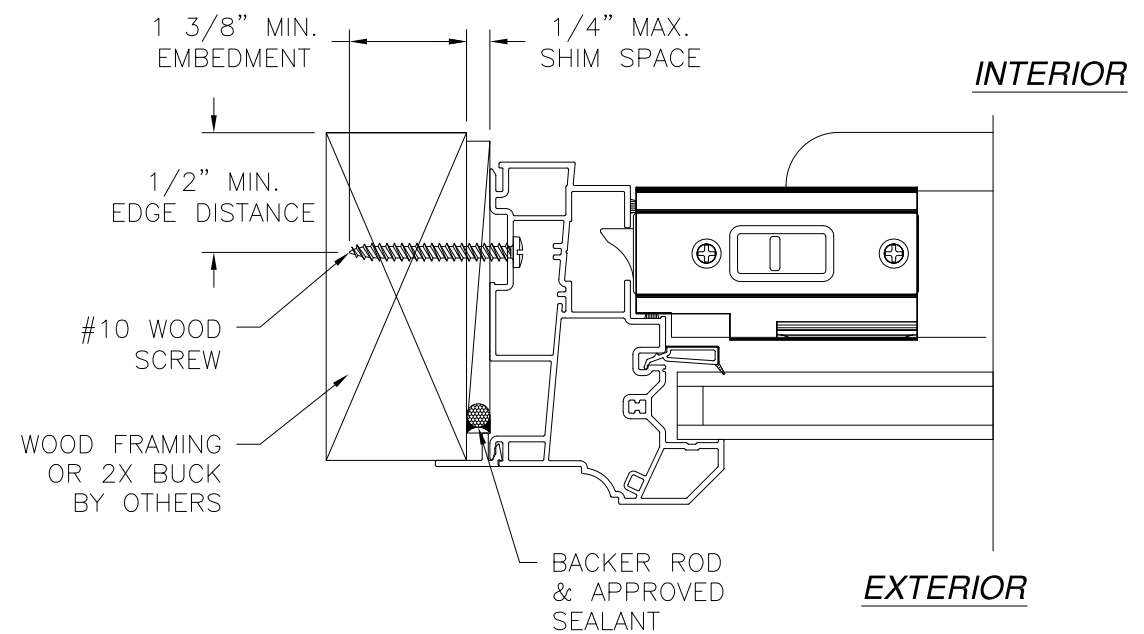
REVISIONS

| REV | DESCRIPTION                   | DATE     | APPROVED |
|-----|-------------------------------|----------|----------|
| A   | MANUFACTURER'S NAME CHANGE    | 03/04/09 | R.L.     |
| B   | REVISED PER NEW CERTIFICATION | 08/20/14 | R.L.     |



**VERTICAL CROSS SECTION**  
WOOD FRAMING OR 2X BUCK INSTALLATION

- NOTES:
1. INTERIOR AND EXTERIOR FINISHES, BY OTHERS, NOT SHOWN FOR CLARITY.
  2. PERIMETER AND JOINT SEALANT BY OTHERS TO BE DESIGNED IN ACCORDANCE WITH ASTM E2112



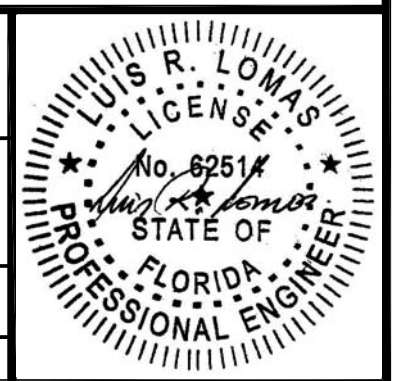
**JAMB INSTALLATION DETAIL**  
WOOD FRAMING OR 2X BUCK INSTALLATION

**Eastern** ARCHITECTURAL SYSTEMS  
ALUMINUM AND VINYL IMPACT WINDOWS AND DOORS  
EASTERN ARCHITECTURAL SYSTEMS  
A DIVISION OF  
EASTERN METAL SUPPLY  
10030 BAVARIA ROAD  
FORT MYERS, FLORIDA 33913  
800-432-2204

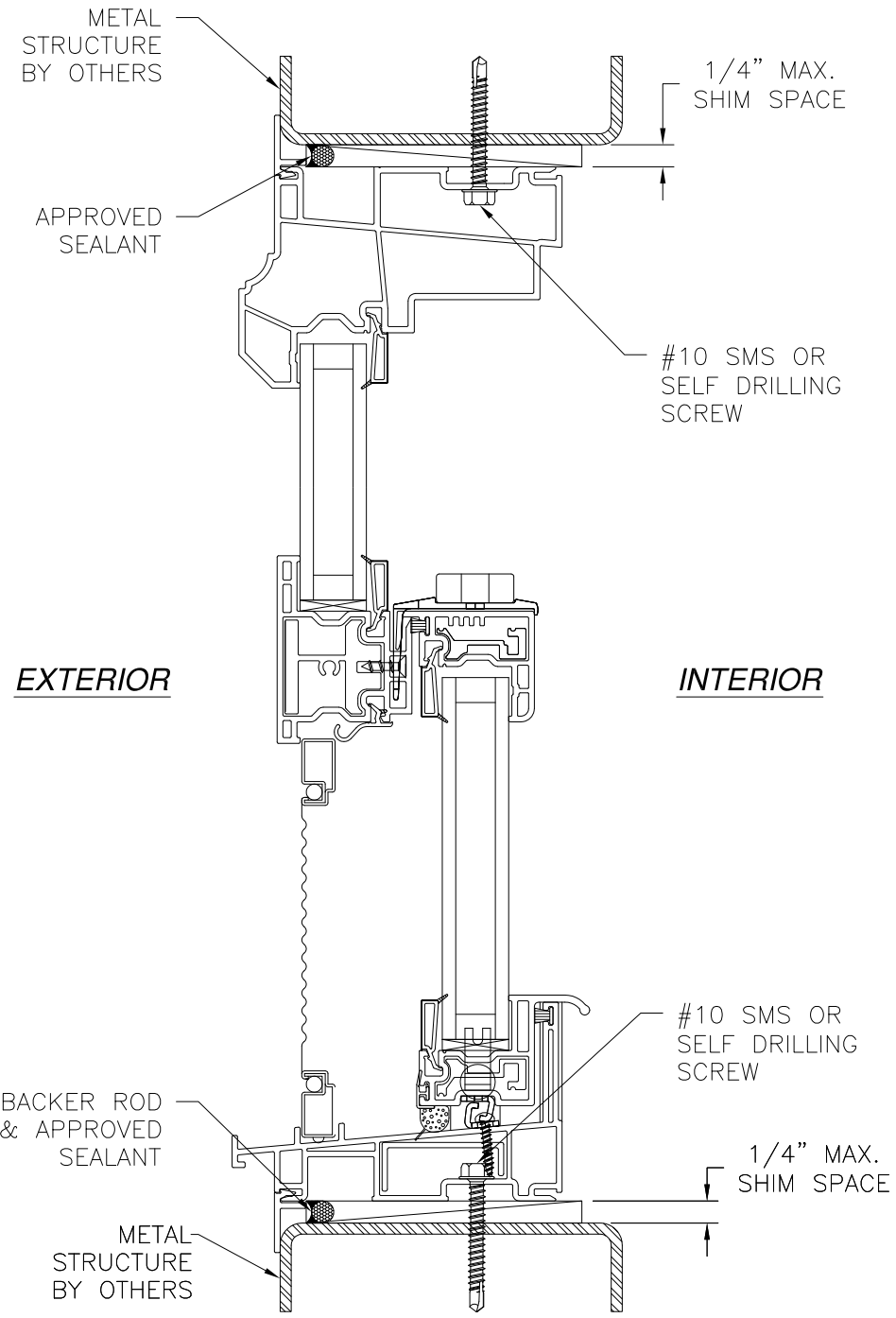
SERIES 1441 VINYL SINGLE HUNG  
54 X 72  
INSTALLATION DETAILS

DRAWN: A.M. DWG NO. 08-00558 REV B

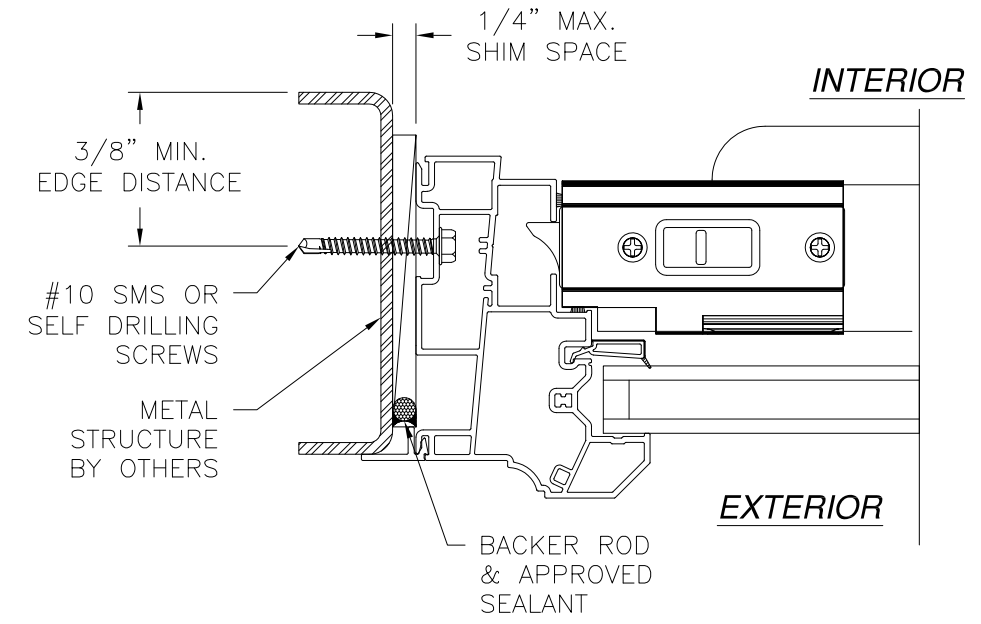
SCALE NTS DATE 7/29/08 SHEET 3 OF 5



| REVISIONS |                               |          |          |
|-----------|-------------------------------|----------|----------|
| REV       | DESCRIPTION                   | DATE     | APPROVED |
| A         | MANUFACTURER'S NAME CHANGE    | 03/04/09 | R.L.     |
| B         | REVISED PER NEW CERTIFICATION | 08/20/14 | R.L.     |



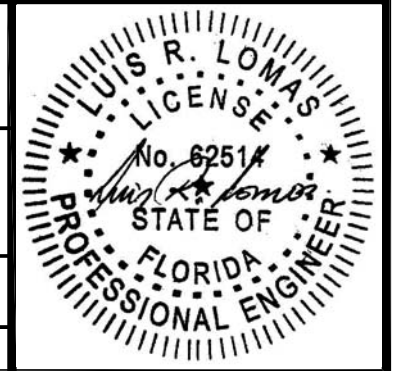
**VERTICAL CROSS SECTION**  
METAL STRUCTURE INSTALLATION



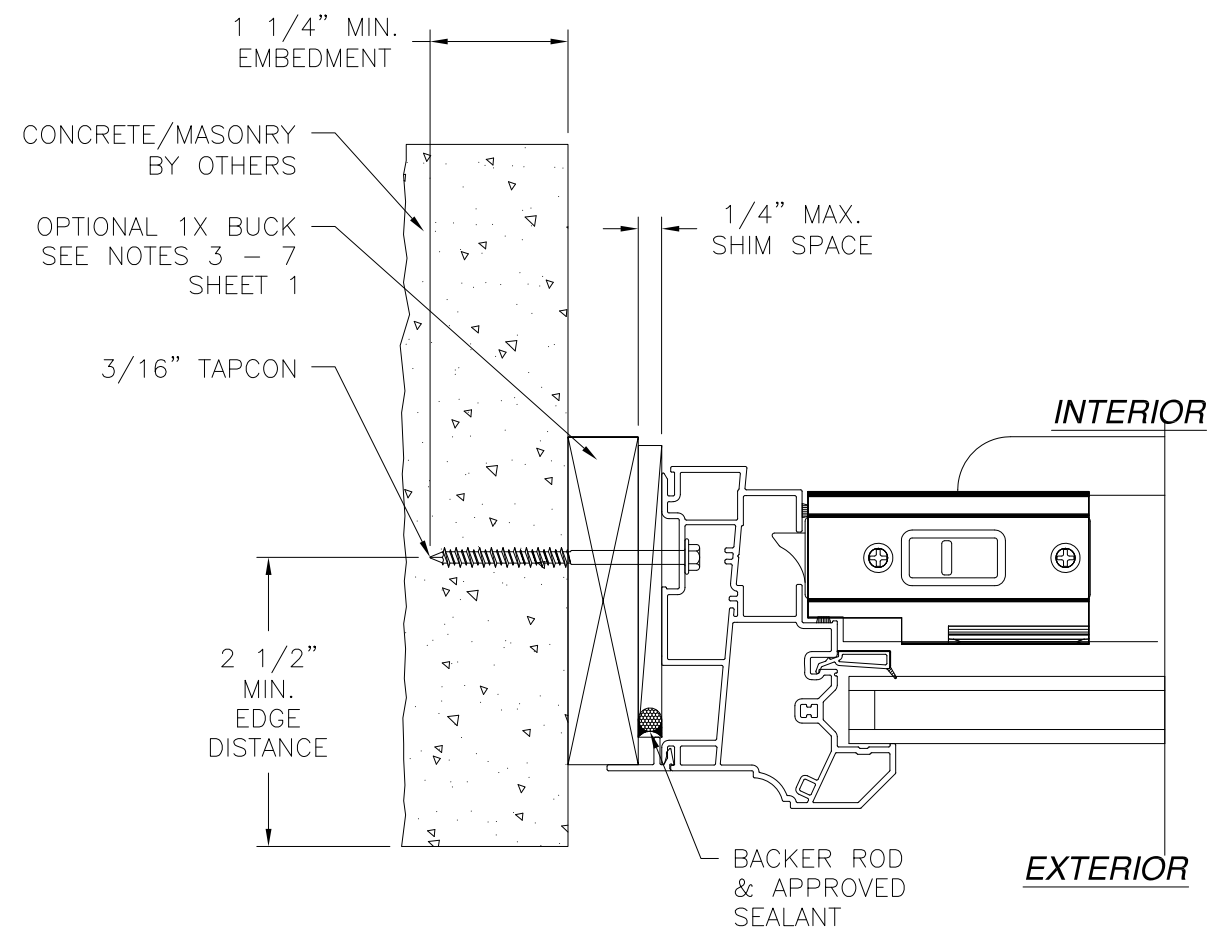
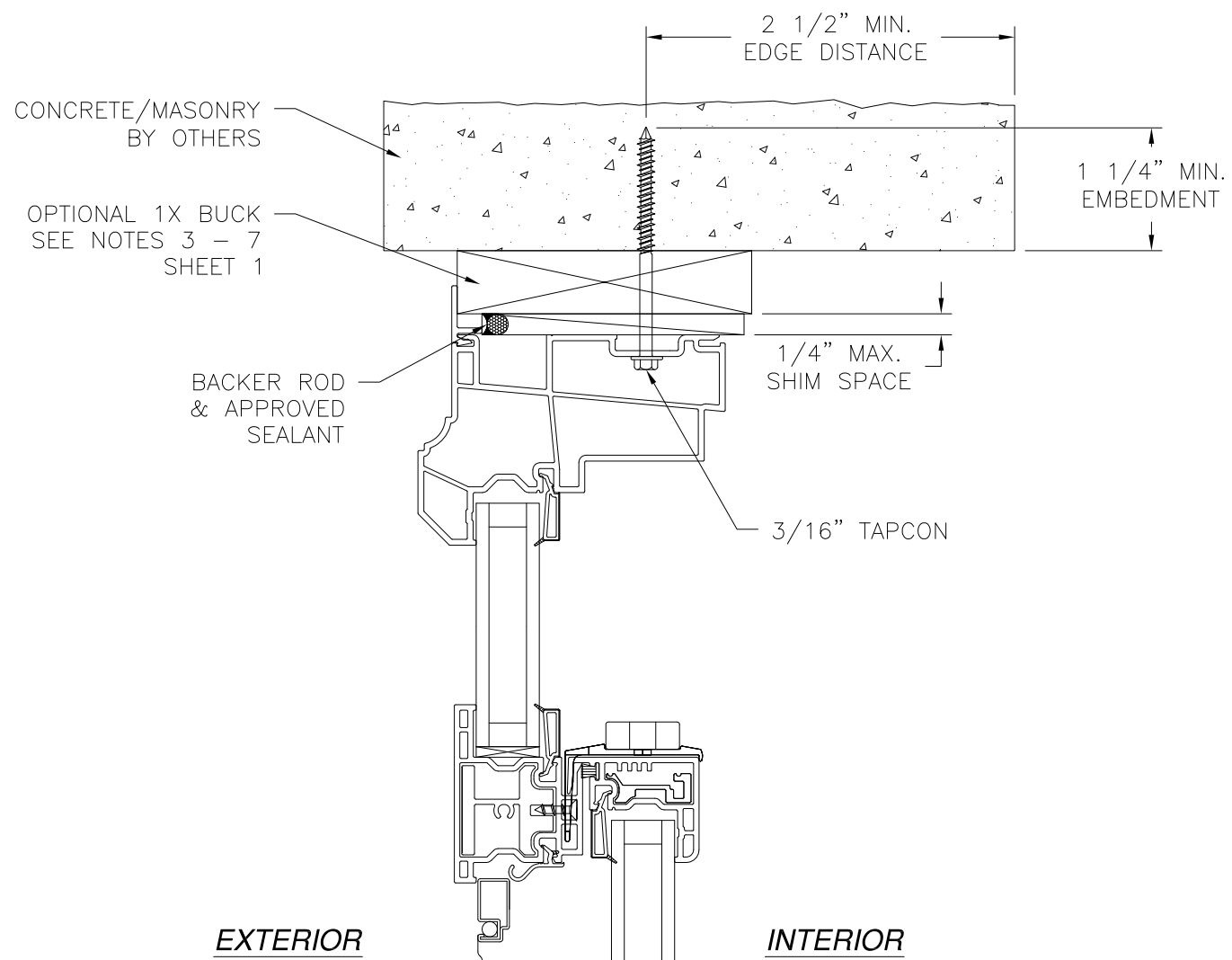
**JAMB INSTALLATION DETAIL**  
METAL STRUCTURE INSTALLATION

**NOTES:**  
 1. INTERIOR AND EXTERIOR FINISHES, BY OTHERS, NOT SHOWN FOR CLARITY.  
 2. PERIMETER AND JOINT SEALANT BY OTHERS TO BE DESIGNED IN ACCORDANCE WITH ASTM E2112

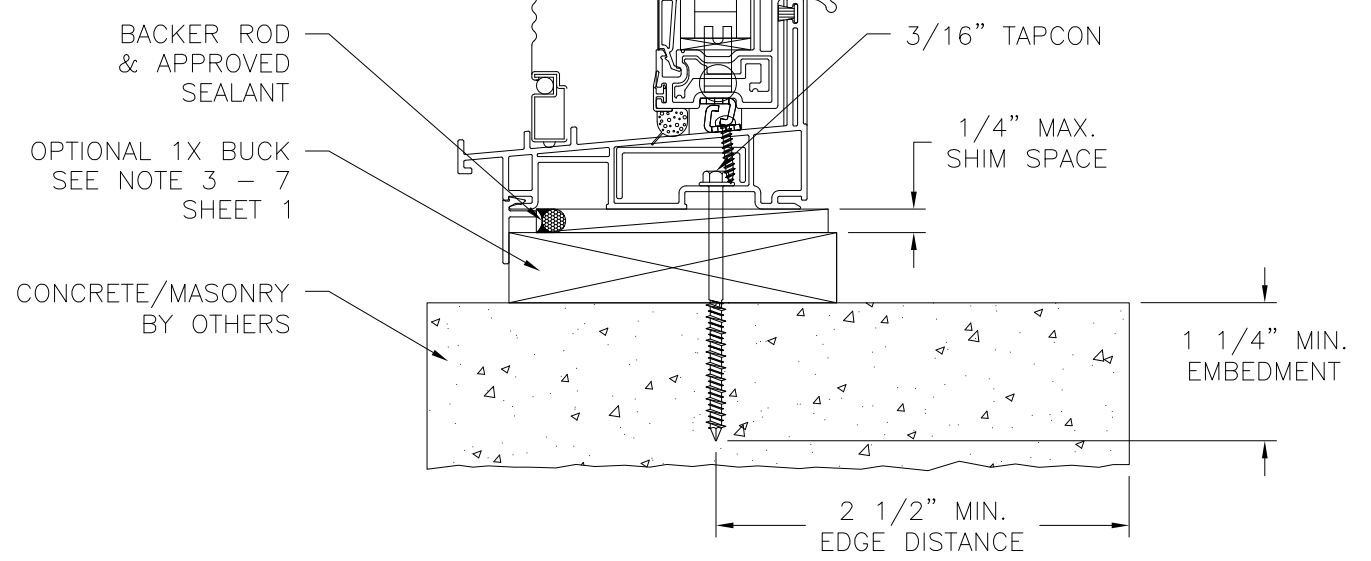
|   |   |              |
|---|---|--------------|
|  <b>Eastern</b><br>ARCHITECTURAL SYSTEMS<br>ALUMINUM AND VINYL<br>IMPACT WINDOWS AND DOORS | EASTERN ARCHITECTURAL SYSTEMS<br>A DIVISION OF<br>EASTERN METAL SUPPLY<br>10030 BAVARIA ROAD<br>FORT MYERS, FLORIDA 33913<br>800-432-2204 |              |
|   | SERIES 1441 VINYL SINGLE HUNG<br>54 X 72<br>INSTALLATION DETAILS  |              |
| DRAWN:<br>A.M.  | DWG NO.<br>08-00558   | REV<br>B     |
| SCALE NTS   | DATE 7/29/08  | SHEET 4 OF 5 |



| REVISIONS |                               |          |          |
|-----------|-------------------------------|----------|----------|
| REV       | DESCRIPTION                   | DATE     | APPROVED |
| A         | MANUFACTURER'S NAME CHANGE    | 03/04/09 | R.L.     |
| B         | REVISED PER NEW CERTIFICATION | 08/20/14 | R.L.     |



**JAMB INSTALLATION DETAIL**  
CONCRETE/MASONRY INSTALLATION



**VERTICAL CROSS SECTION**  
CONCRETE/MASONRY INSTALLATION

- NOTES:**
1. INTERIOR AND EXTERIOR FINISHES, BY OTHERS, NOT SHOWN FOR CLARITY.
  2. PERIMETER AND JOINT SEALANT BY OTHERS TO BE DESIGNED IN ACCORDANCE WITH ASTM E2112

|   |   |              |
|---|---|--------------|
|  <b>Eastern</b><br>ARCHITECTURAL SYSTEMS<br>ALUMINUM AND VINYL<br>IMPACT WINDOWS AND DOORS | EASTERN ARCHITECTURAL SYSTEMS<br>A DIVISION OF<br>EASTERN METAL SUPPLY<br>10030 BAVARIA ROAD<br>FORT MYERS, FLORIDA 33913<br>800-432-2204 |              |
|   | SERIES 1441 VINYL SINGLE HUNG<br>54 X 72<br>INSTALLATION DETAILS  |              |
| DRAWN:<br>A.M.  | DWG NO.<br>08-00558   | REV<br>B     |
| SCALE NTS   | DATE 7/29/08  | SHEET 5 OF 5 |

