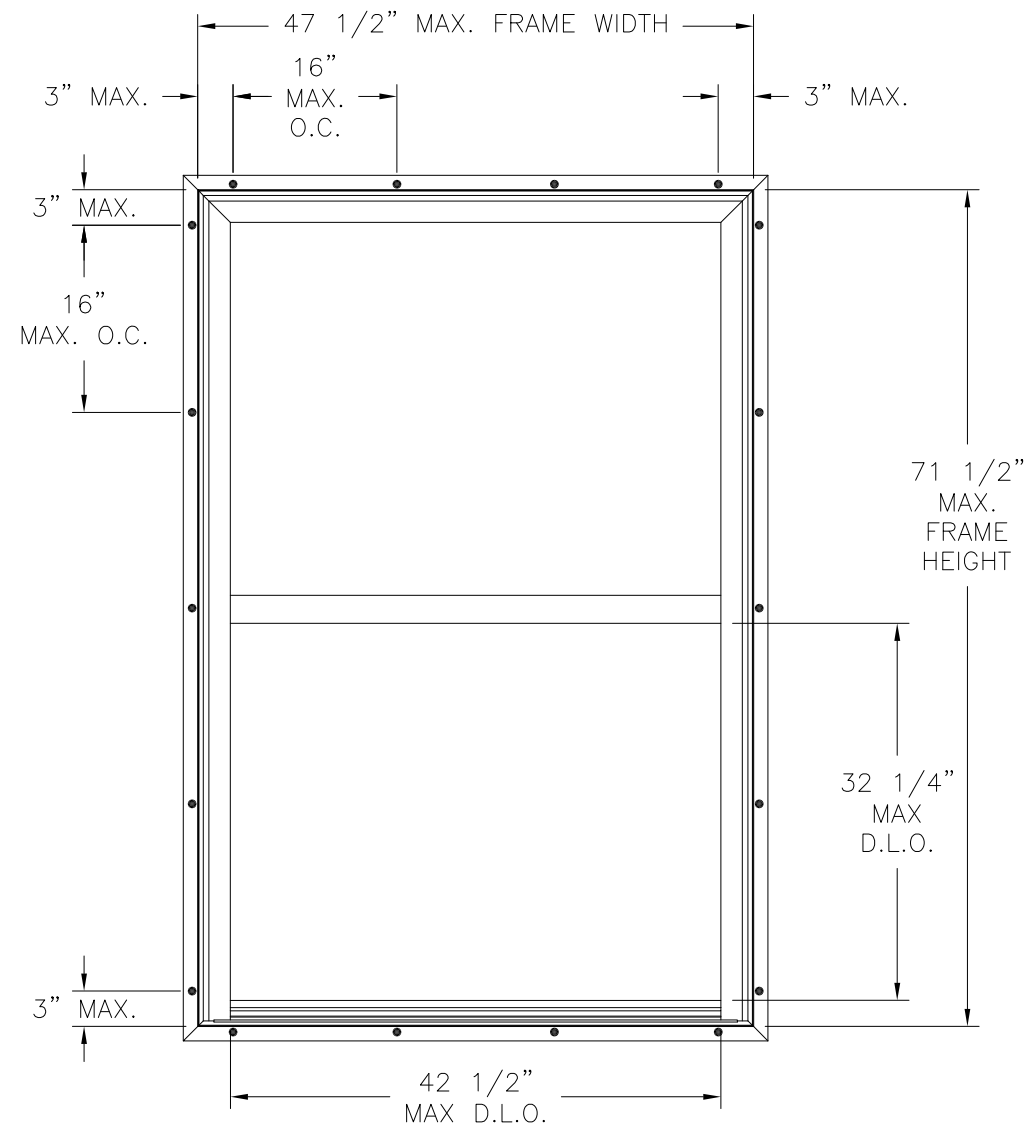


REVISIONS

REV	DESCRIPTION	DATE	APPROVED
A	MANUFACTURER'S NAME CHANGE	03/03/09	R.L.
B	REVISED PER NEW CERTIFICATION	08/20/14	R.L.




**SERIES 1431 VINYL SINGLE HUNG WINDOW**  
EXTERIOR VIEW

DESIGN PRESSURE RATING	IMPACT RATING
±50.0PSF	NONE

NOTES:

- 1) THE PRODUCT SHOWN HERE IN IS DESIGNED AND MANUFACTURED TO COMPLY WITH THE CURRENT FLORIDA BUILDING CODE.
- 2) WOOD FRAMING AND MASONRY OPENING TO BE DESIGNED AND ANCHORED TO PROPERLY TRANSFER ALL LOADS TO STRUCTURE. FRAMING AND MASONRY OPENING IS THE RESPONSIBILITY OF THE ARCHITECT OR ENGINEER OF RECORD.
- 3) CONTRACTOR IS RESPONSIBLE FOR MAINTAINING STRUCTURAL INTEGRITY OF WINDOW OPENING AND ALL WOOD FRAMING AROUND WINDOW.
- 4) UNITS MUST BE GLAZED PER ASTM E1300-04.
- 5) APPROVED IMPACT PROTECTIVE SYSTEM IS REQUIRED FOR THIS PRODUCT IN WIND BORNE DEBRIS REGIONS.
- 6) SHIM AS REQUIRED AT EACH INSTALLATION ANCHOR WITH LOAD BEARING SHIM. SHIM WHERE SPACE OF 1/16" OR GREATER OCCURS. MAXIMUM ALLOWABLE SHIM STACK TO BE 1/4".
- 7) FOR INSTALLATION INTO WOOD FRAMING OR 2X BUCK USE #8 WOOD SCREW WITH SUFFICIENT LENGTH TO ACHIEVE A 1 1/4" MINIMUM EMBEDMENT INTO SUBSTRATE. LOCATE ANCHORS AS SHOWN IN ELEVATIONS AND INSTALLATION DETAILS.
- 8) ALL FASTENERS TO BE CORROSION RESISTANT.
- 9) INSTALLATION ANCHORS SHALL BE INSTALLED IN ACCORDANCE WITH ANCHOR MANUFACTURER'S INSTALLATION INSTRUCTIONS, AND ANCHORS SHALL NOT BE USED IN SUBSTRATES WITH STRENGTHS LESS THAN THE MINIMUM STRENGTH SPECIFIED BELOW:  
A. WOOD - MINIMUM SPECIFIC GRAVITY OF G=0.42
- 10) ALLOWABLE STRESS INCREASE OF 1/3 WAS NOT USED IN THE DESIGN OF THE PRODUCT SHOWN HEREIN. WIND LOAD DURATION FACTOR Cd=1.6 WAS USED FOR WOOD ANCHOR CALCULATIONS.
- 11) FRAME MATERIAL: RIGID PVC

SIGNED: 08/21/2014



EASTERN ARCHITECTURAL SYSTEMS  
A DIVISION OF  
EASTERN METAL SUPPLY  
10030 BAVARIA ROAD  
FORT MYERS, FLORIDA 33913  
800-432-2204

**SERIES 1431 VINYL SINGLE HUNG WINDOW**  
48 X 72  
ELEVATION AND NOTES

DRAWN: A.M	DWG NO. 08-00556	REV B
SCALE NTS	DATE 7/29/08	SHEET 1 OF 2

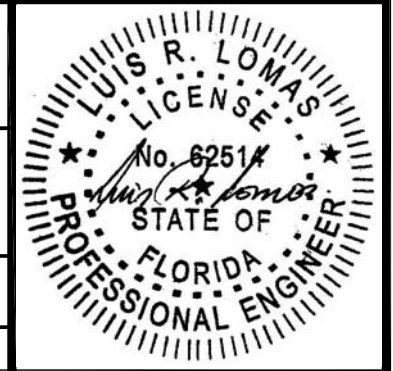
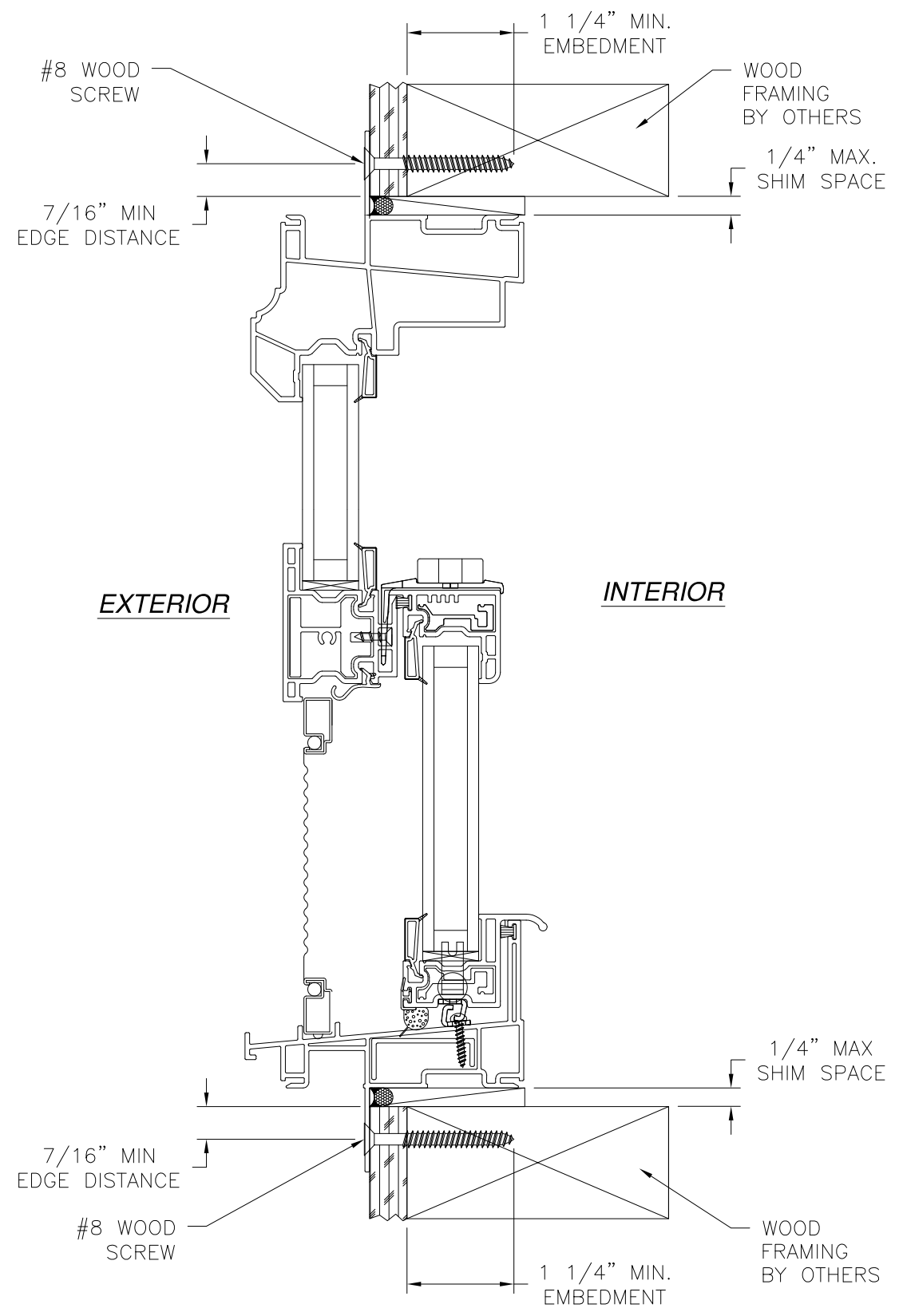
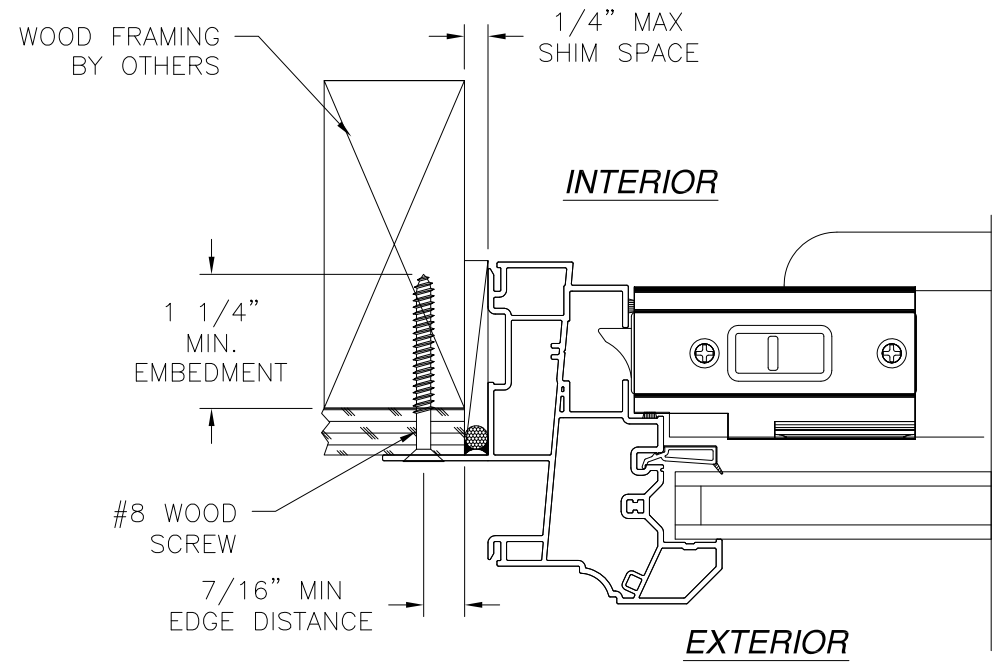


TABLE OF CONTENTS	
SHEET NO.	DESCRIPTION
1	ELEVATION AND GENERAL NOTES
2	INSTALLATION DETAILS

REVISIONS			
REV	DESCRIPTION	DATE	APPROVED
A	MANUFACTURER'S NAME CHANGE	03/03/09	R.L.
B	REVISED PER NEW CERTIFICATION	08/20/14	R.L.



**VERTICAL CROSS SECTION**  
WOOD FRAMING OR 2X BUCK INSTALLATION



**JAMB INSTALLATION DETAIL**  
WOOD FRAMING OR 2X BUCK INSTALLATION

- NOTES:**
1. INTERIOR AND EXTERIOR FINISHES, BY OTHERS, NOT SHOWN FOR CLARITY.
  2. PERIMETER AND JOINT SEALANT BY OTHERS TO BE DESIGNED IN ACCORDANCE WITH ASTM E2112

**Eastern** ARCHITECTURAL SYSTEMS  
ALUMINUM AND VINYL IMPACT WINDOWS AND DOORS

EASTERN ARCHITECTURAL SYSTEMS  
A DIVISION OF  
EASTERN METAL SUPPLY

10030 BAVARIA ROAD  
FORT MYERS, FLORIDA 33913  
800-432-2204

SERIES 1431 VINYL SINGLE HUNG WINDOW  
48 X 72  
INSTALLATION DETAILS

DRAWN: A.M	DWG NO. 08-00556	REV B
SCALE NTS	DATE 7/29/08	SHEET 2 OF 2

