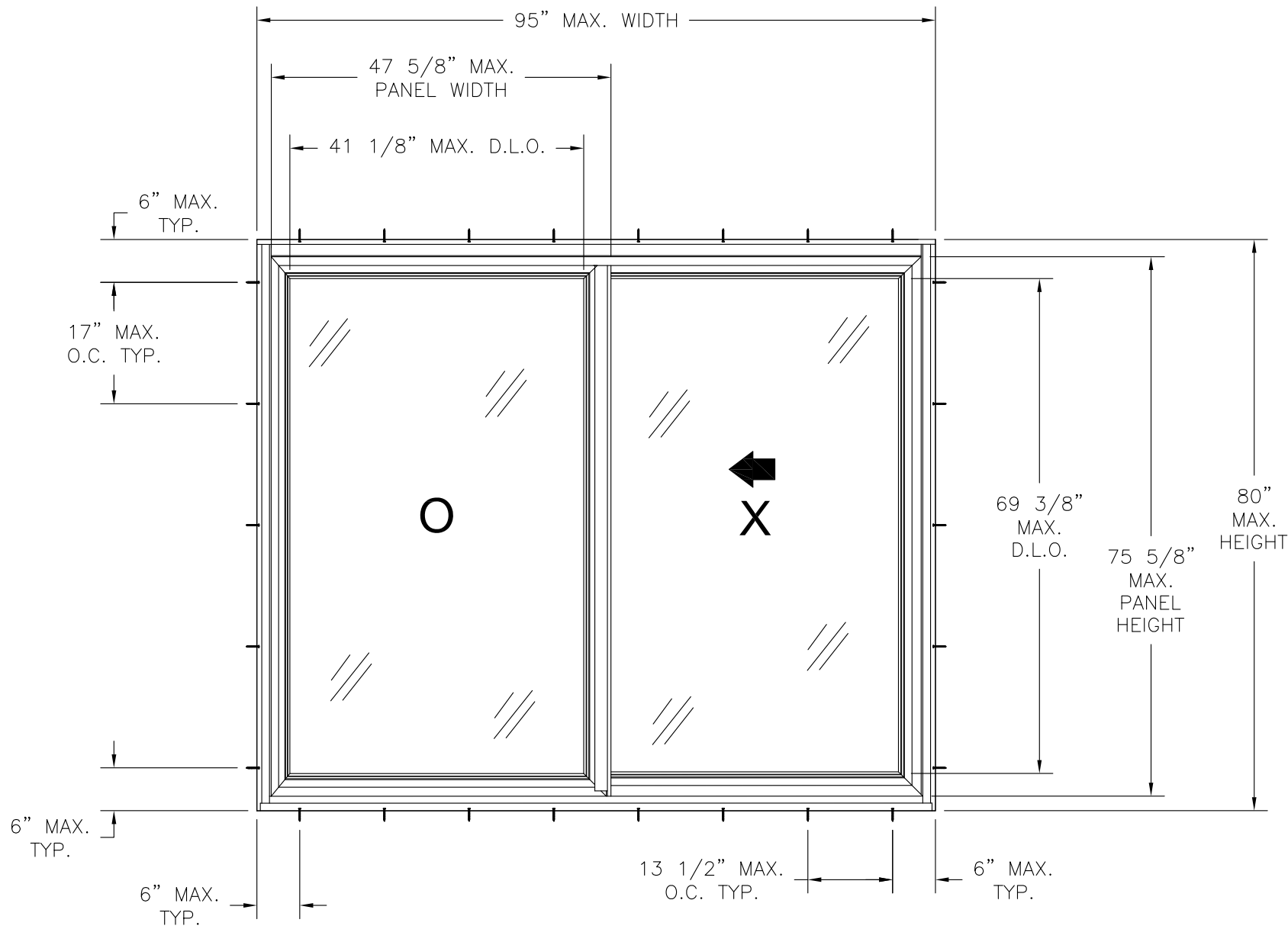


REVISIONS			
REV	DESCRIPTION	DATE	APPROVED
A	REVISED NOTE 4	09/12/11	R.L.
B	ADDED EDGE DIMENSIONS	03/05/15	R.L.



PRESTIGE SLIDING PATIO DOOR
EXTERIOR VIEW

DESIGN PRESSURE RATING	IMPACT RATING
±40.0PSF	NONE

NOTES:

- 1) THE PRODUCT SHOWN HEREIN IS DESIGNED AND MANUFACTURED TO COMPLY WITH REQUIREMENTS OF FLORIDA BUILDING CODE.
- 2) WOOD FRAMING AND MASONRY OPENING TO BE DESIGNED AND ANCHORED TO PROPERLY TRANSFER ALL LOADS TO STRUCTURE. WOOD FRAMING AND MASONRY OPENING IS THE RESPONSIBILITY OF THE ARCHITECT OR ENGINEER OF RECORD.
- 3) APPROVED IMPACT PROTECTIVE SYSTEM IS REQUIRED FOR THIS PRODUCT IN WIND BORNE DEBRIS REGIONS.
- 4) UNITS MUST BE GLAZED PER ASTM E1300-04 WITH SAFETY GLAZING.
- 5) ALLOWABLE STRESS INCREASE OF 1/3 WAS NOT USED IN THE DESIGN OF THE PRODUCT SHOWN HEREIN. WIND LOAD DURATION FACTOR Cd=1.6 WAS USED FOR WOOD ANCHOR CALCULATIONS.
- 6) APPROVED CONFIGURATIONS: OX, XO.
- 7) SHIM AS REQUIRED AT EACH INSTALLATION ANCHOR WITH LOAD BEARING SHIM. SHIM WHERE SPACE OF 1/16" OR GREATER OCCURS. MAXIMUM ALLOWABLE SHIM STACK TO BE 1/4".
- 8) FOR ANCHORING INTO 2X BUCK OR WOOD FRAMING USE #10 WOOD SCREW OF SUFFICIENT LENGTH TO ACHIEVE A 1 3/8" MINIMUM EMBEDMENT INTO SUBSTRATE. LOCATE ANCHORS AS SHOWN IN ANCHORING LAYOUT AND INSTALLATION DETAILS.
- 9) FOR ANCHORING INTO MASONRY/CONCRETE USE 3/16" ITW TAPCON OF SUFFICIENT LENGTH TO ACHIEVE A 1 1/4" MINIMUM EMBEDMENT INTO SUBSTRATE. LOCATE ANCHORS AS SHOWN IN ANCHORING LAYOUT AND INSTALLATION DETAILS.
- 10) ALL FASTENERS TO BE CORROSION RESISTANT.
- 11) INSTALLATION ANCHOR CAPACITIES FOR PRODUCTS HEREIN ARE BASED ON SUBSTRATE MATERIAL WITH THE FOLLOWING PROPERTIES:
A. WOOD - G=0.42 MINIMUM SPECIFIC GRAVITY
B. CONCRETE - 3,000PSI MINIMUM COMPRESSIVE STRENGTH.
C. MASONRY - STRENGTH CONFORMANCE TO ASTM C-90, GRADE N, TYPE 1 (OR GREATER).
- 12) FRAME MATERIAL: RIGID PVC

SIGNED: 03/06/2015

PROVIA DOOR, INC
2150 STATE ROUTE 39 WEST
SUGARCREEK, OH 44681

PRESTIGE SLIDING PATIO DOOR
95" X 80"
ELEVATION, ANCHORING AND NOTES

DRAWN: TJH	DWG NO. 08-00670	REV B
SCALE NTS	DATE 01/22/09	SHEET 1 OF 5



TABLE OF CONTENTS	
SHEET NO.	DESCRIPTION
1	ELEVATION, ANCHORING AND NOTES
2	BILL OF MATERIALS
3	VERTICAL AND HORIZONTAL CROSS SECTIONS
4 - 5	INSTALLATION DETAILS

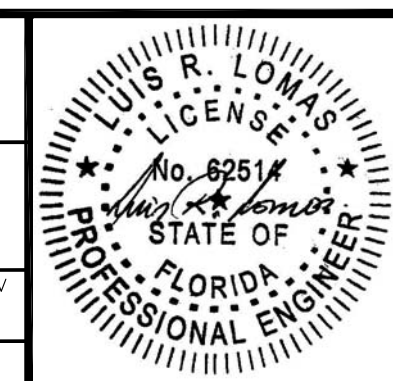
PARTS LIST				
NO.	PART NUMBER	DESCRIPTION	MANUFACTURER	MATERIAL
1	9619	#8X2 3/4"FH QUADREX WOOD SCREW	P.H. TECH	STAINLESS STEEL
2	9853	INSECT STOP 1" x 1" x 3/4"	P.H. TECH	
3	703	HEAD WEATHERSTRIP	P.H. TECH	
4	8940	SASH STOPPER	P.H. TECH	PVC
5	8941	#8X1 1/4" PH QUADREX SCREW	P.H. TECH	STAINLESS STEEL
6	7003	FIXED SASH ANCHOR BLOCK	P.H. TECH	PVC
7	9876	#8X7/8" PH QUADREX SCREW	P.H. TECH	STAINLESS STEEL
8	723	SILL DUST COVER	P.H. TECH	PVC
9	701	FIXED SASH SUPPORT	P.H. TECH	PVC
10	PBAB-8445-270	INSECT STOP	SCHLEGEL	
11	9823	1/16" X 3/8" GLAZING TAPE	P.H. TECH	
12	9991	OUTSIDE SILL CLADDING	P.H. TECH	ALUMINUM 6063-T5
13	9867	#8X5/8" PH QUADREX TEK SCREW	P.H. TECH	STAINLESS STEEL
14		GLASS	P.H. TECH	
15	7002	HEAD PROFILE	P.H. TECH	PVC
16	9667	SCREW CAP	P.H. TECH	PVC
17	HF-7522-270	WEATHERSTRIP	SCHLEGEL	
18	7508-F	FIXED HORIZONTAL RAIL	P.H. TECH	PVC
19	DPAB-1.350X0.437	WEATHERSTRIP	SCHLEGEL	
20	9732	TANDEM WHEEL	P.H. TECH	
21	710-BLM66	SILL WEATHERSTRIP	P.H. TECH	
22	9790	SLIDING PANEL RAIL	P.H. TECH	ALUMINUM 6063-T5
23	7000	SILL	P.H. TECH	PVC
24	9734	WEEP HOLE PLUG	P.H. TECH	PVC
25	9808	WEEP HOLE COVER	P.H. TECH	PVC
26	9670/9671	LEFT/RIGHT CAP	P.H. TECH	PVC
27	7523	SASH COVERING CAP	P.H. TECH	PVC
28	9950-CAPUC	LOCK PLUG	P.H. TECH	PVC
29	9599	CENTER STILE STEEL REINFORCEMENT	P.H. TECH	G-90 GALV. STEEL
30	7506	CENTER STILE	P.H. TECH	PVC
31	7026	INTERLOCK	P.H. TECH	PVC
32	9862/8842	SLIDING CAP	P.H. TECH	PVC
33	9796	#8 X 5/8" PH QUADREX SCREW	P.H. TECH	STAINLESS STEEL
34	8933	SETTING BLOCK	P.H. TECH	PVC
35	5775,5770,5771,5772	GLAZING BEAD	P.H. TECH	PVC
36	7547-F	FIXED SIDE STILE	P.H. TECH	PVC
37	7508-M	MOBILE HORIZONTAL RAIL	P.H. TECH	PVC
38	PB-8320-187	WEATHERSTRIP	SCHLEGEL	
39	7004	JAMB PROFILE	P.H. TECH	PVC

PARTS LIST				
NO.	PART NUMBER	DESCRIPTION	MANUFACTURER	MATERIAL
40	9598	SASH REINFORCEMENT	P.H. TECH	G-90 GALV. STEEL
41	7587-M	MOBILE SIDE STILE	P.H. TECH	PVC
42	PB-8420-270	WEATHERSTRIP	SCHLEGEL	
43	7042	JAMB COVER (OPTION)	P.H. TECH	PVC
44		SCREEN	P.H. TECH	
45		HANDLE	P.H. TECH	
46		TREMCO SILGLAZE	TREMCO	

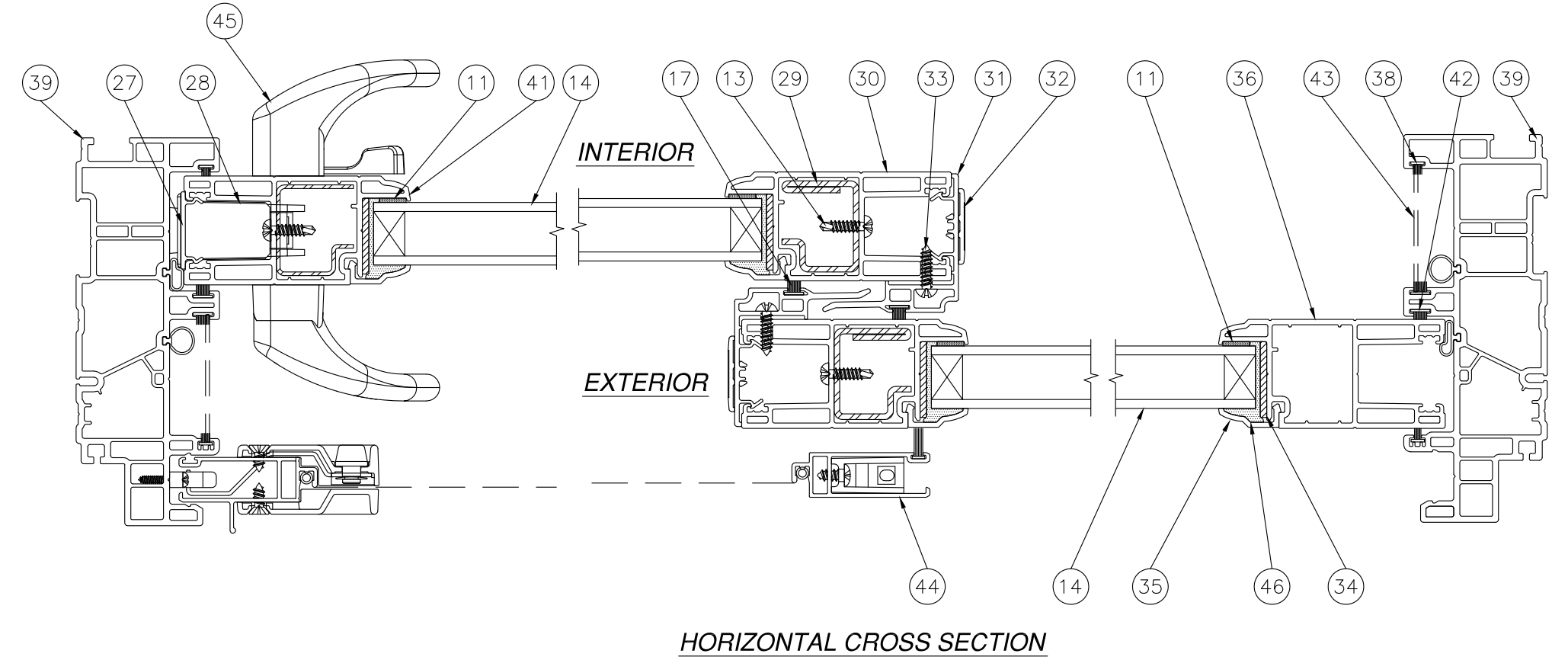
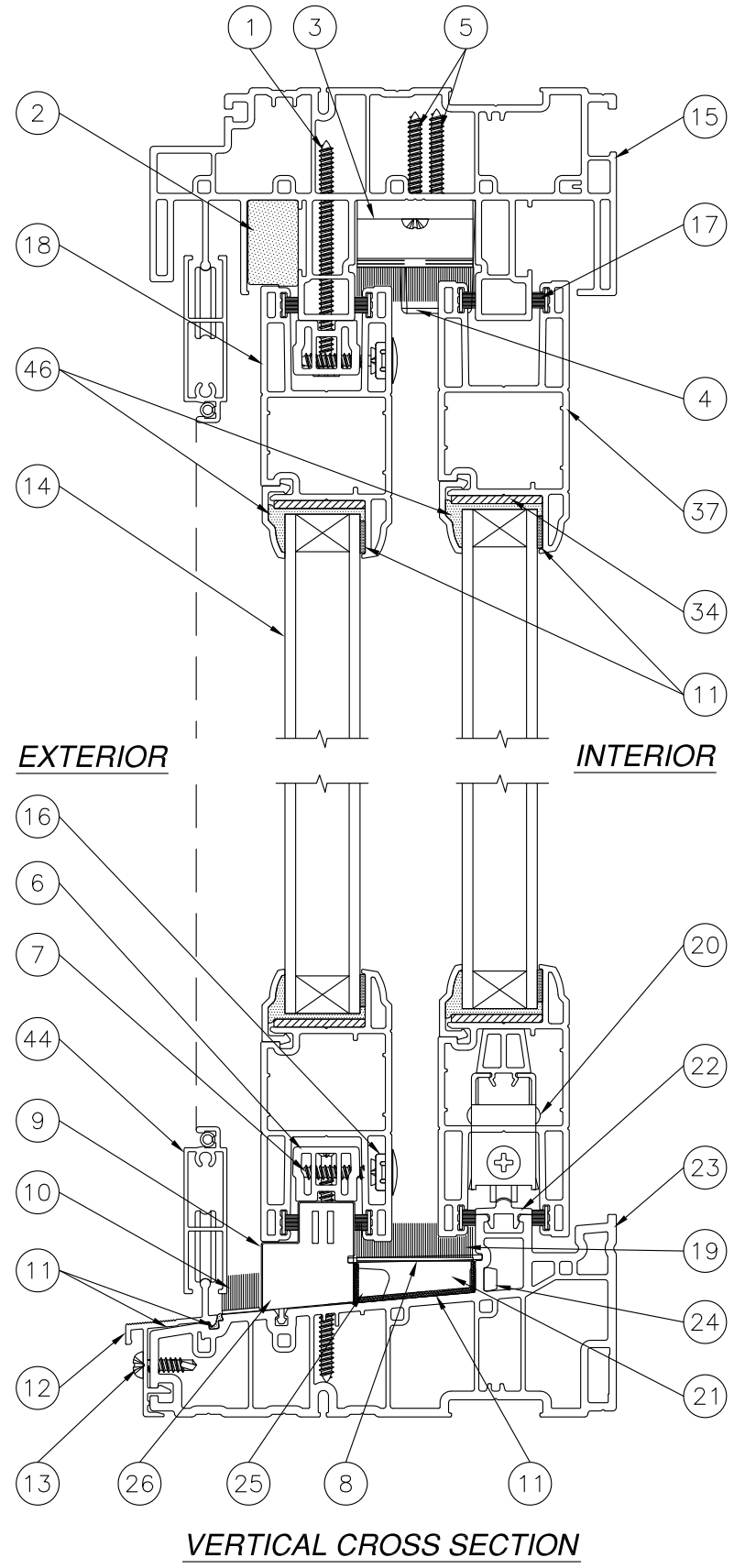
REVISIONS			
REV	DESCRIPTION	DATE	APPROVED
A	REVISED NOTE 4	09/12/11	R.L.
B	ADDED EDGE DIMENSIONS	03/05/15	R.L.

SIGNED: 03/06/2015

PROVIA DOOR, INC 2150 STATE ROUTE 39 WEST SUGARCREEK, OH 44681		
PRESTIGE SLIDING PATIO DOOR 95" X 80" BILL OF MATERIALS		
DRAWN: TJH	DWG NO. 08-00670	REV B
SCALE NTS	DATE 01/22/09	SHEET 2 OF 5



REVISIONS			
REV	DESCRIPTION	DATE	APPROVED
A	REVISED NOTE 4	09/12/11	R.L.
B	ADDED EDGE DIMENSIONS	03/05/15	R.L.



PROVIA DOOR, INC
 2150 STATE ROUTE 39 WEST
 SUGARCREEK, OH 44681

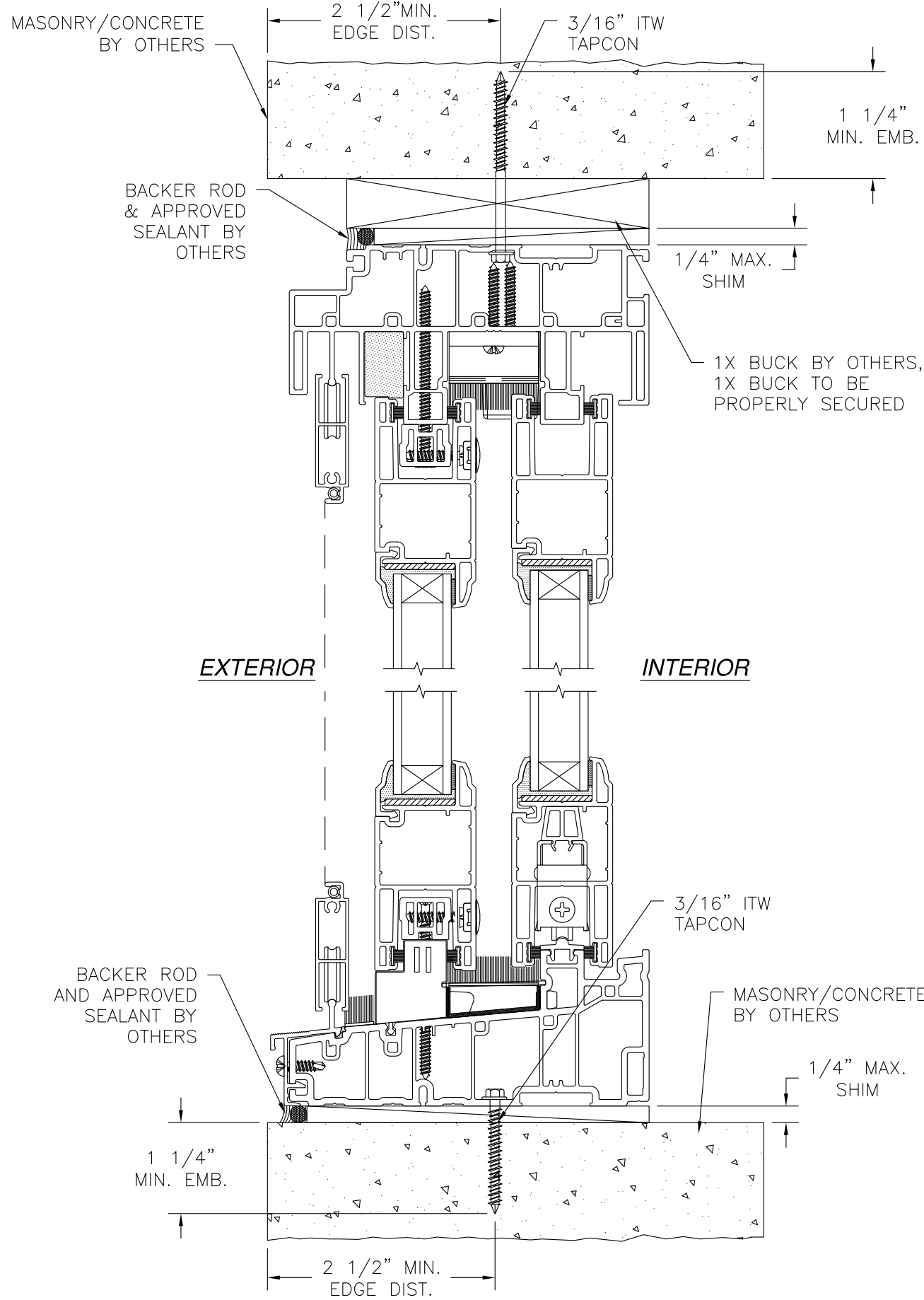
PRESTIGE SLIDING PATIO DOOR
 95" X 80"
 VERTICAL AND HORIZONTAL CROSS SECTIONS

DRAWN: TJH	DWG NO. 08-00670	REV B
SCALE NTS	DATE 01/22/09	SHEET 3 OF 5

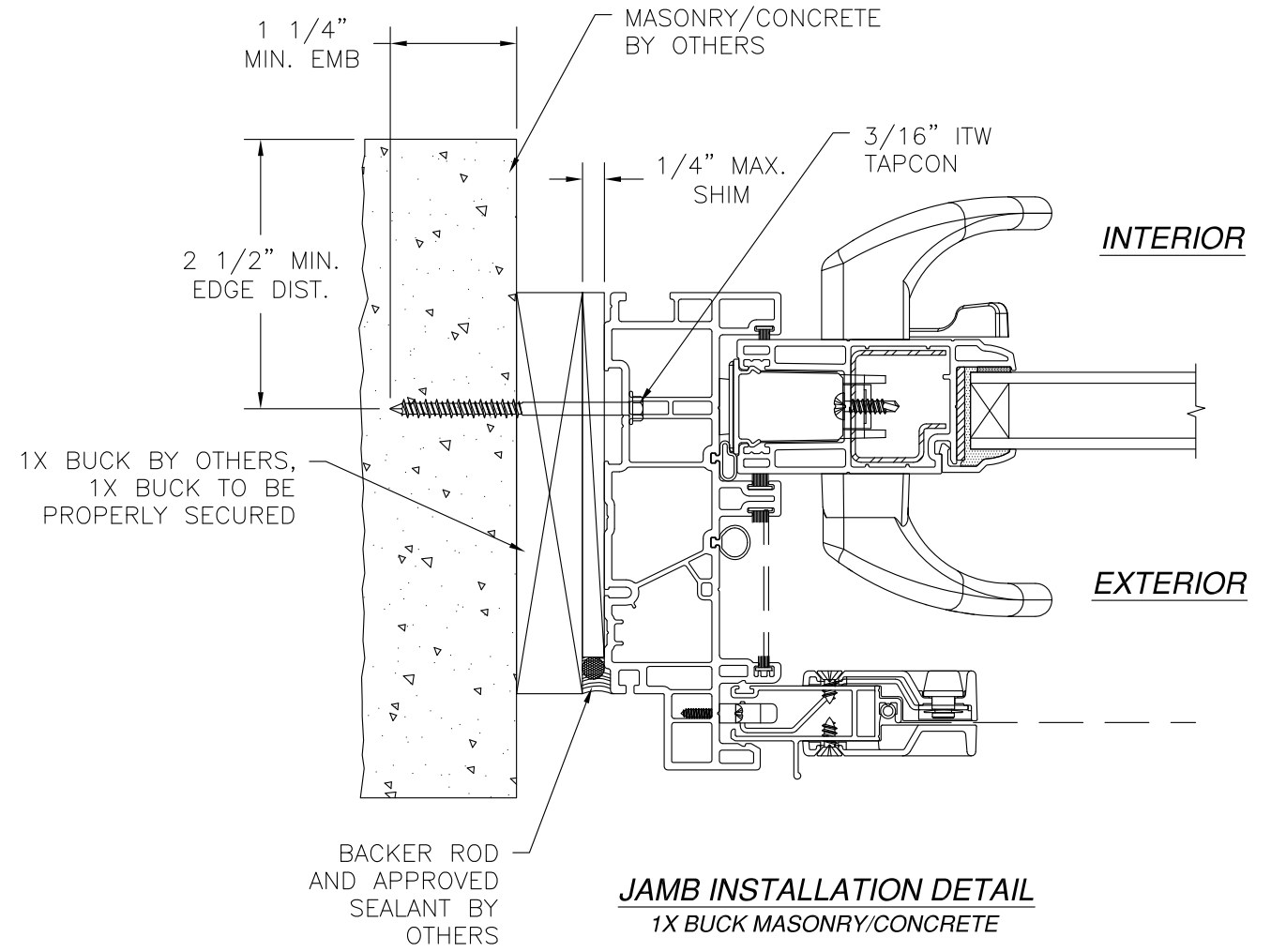
SIGNED: 03/06/2015

LUI R. LOMAS
 LICENSE
 No. 62514
 STATE OF FLORIDA
 PROFESSIONAL ENGINEER

REVISIONS			
REV	DESCRIPTION	DATE	APPROVED
A	REVISED NOTE 4	09/12/11	R.L.
B	ADDED EDGE DIMENSIONS	03/05/15	R.L.



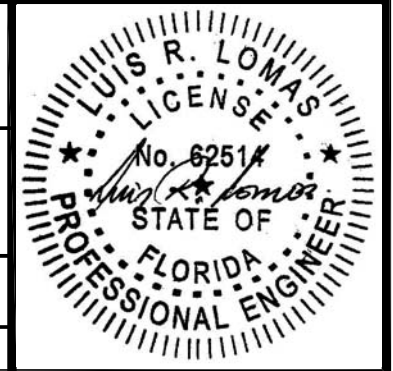
VERTICAL CROSS SECTION
CONCRETE/MASONRY INSTALLATION



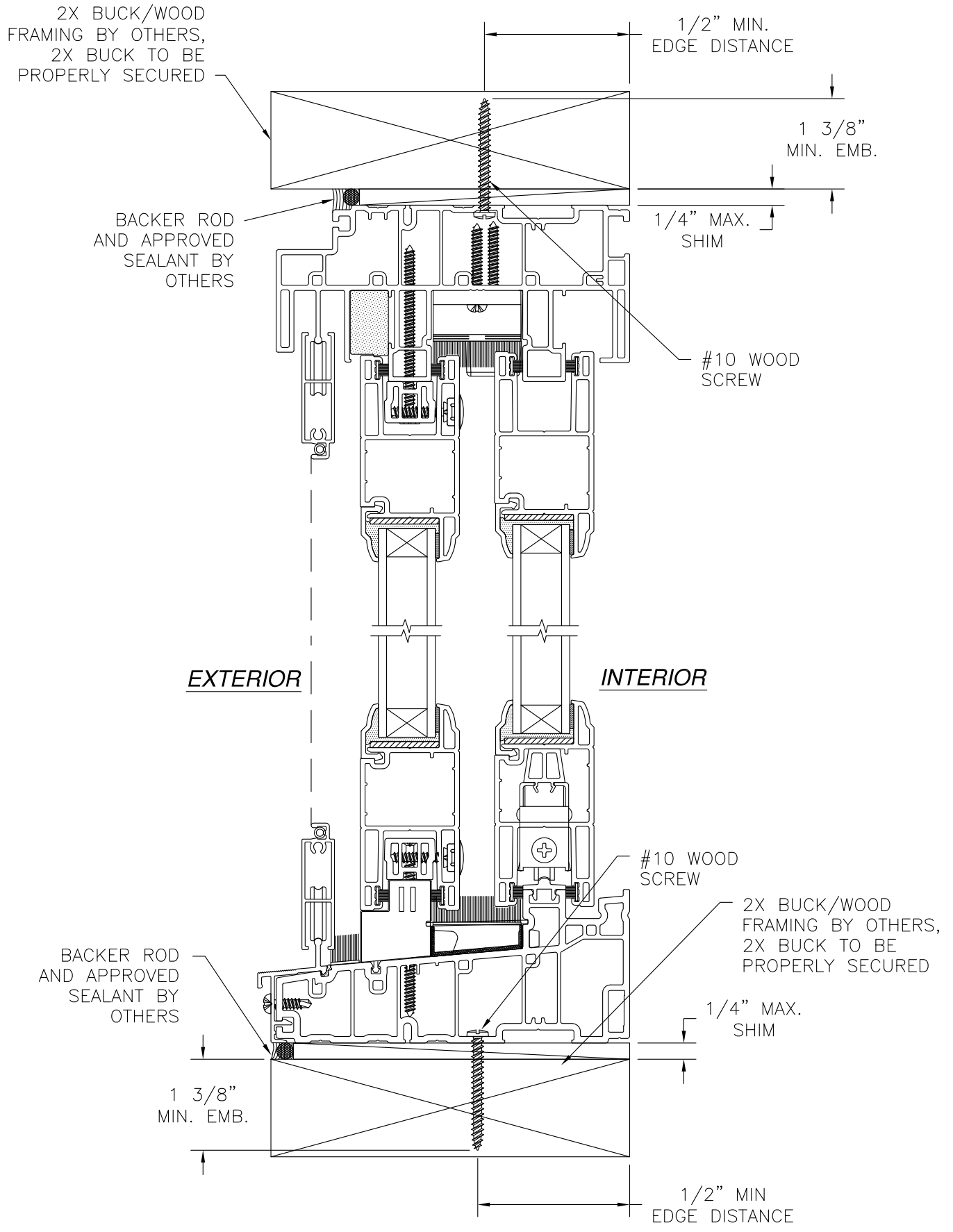
NOTES:
 1. INTERIOR AND EXTERIOR FINISHES, BY OTHERS, NOT SHOWN FOR CLARITY.
 2. PERIMETER AND JOINT SEALANT BY OTHERS TO BE DESIGNED IN ACCORDANCE WITH ASTM E2112

SIGNED: 03/06/2015

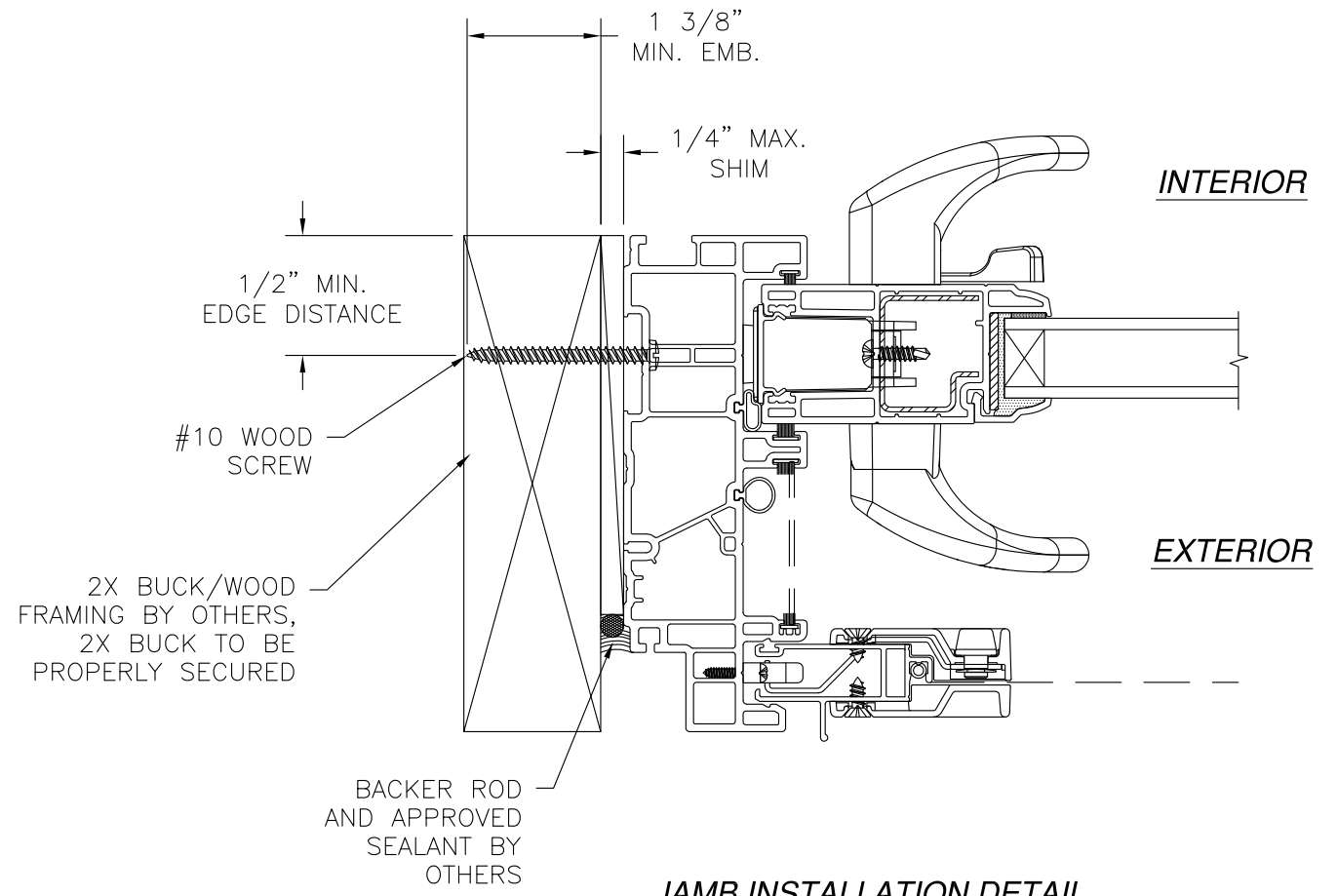
PROVIA DOOR, INC 2150 STATE ROUTE 39 WEST SUGARCREEK, OH 44681		
PRESTIGE SLIDING PATIO DOOR 95" X 80" 1X INSTALLATION DETAILS		
DRAWN: TJH	DWG NO. 08-00670	REV B
SCALE NTS	DATE 01/22/09	SHEET 4 OF 5



REVISIONS			
REV	DESCRIPTION	DATE	APPROVED
A	REVISED NOTE 4	09/12/11	R.L.
B	ADDED EDGE DIMENSIONS	03/05/15	R.L.



VERTICAL CROSS SECTION
WOOD FRAMING OR 2X BUCK INSTALLATION



JAMB INSTALLATION DETAIL
2X BUCK/WOOD FRAMING

SIGNED: 03/06/2015

PROVIA DOOR, INC 2150 STATE ROUTE 39 WEST SUGARCREEK, OH 44681		
PRESTIGE SLIDING PATIO DOOR 95" X 80" 2X BUCK/WOOD FRAMING INSTALLATION DETAILS		
DRAWN: TJH	DWG NO. 08-00670	REV B
SCALE NTS	DATE 01/22/09	SHEET 5 OF 5

