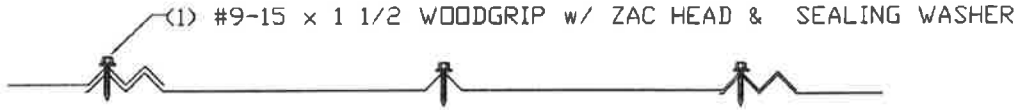
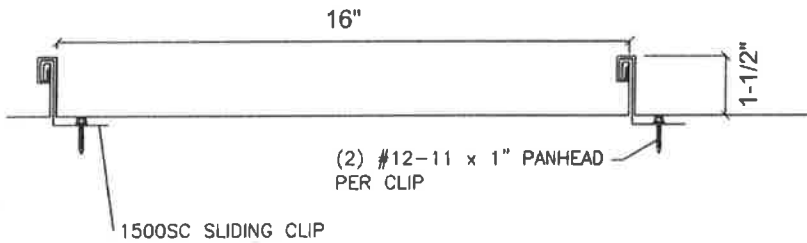


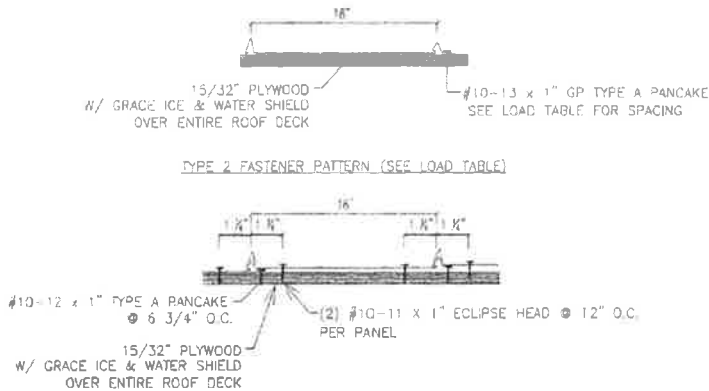
**5 V Crimp-HVHZ\*1**



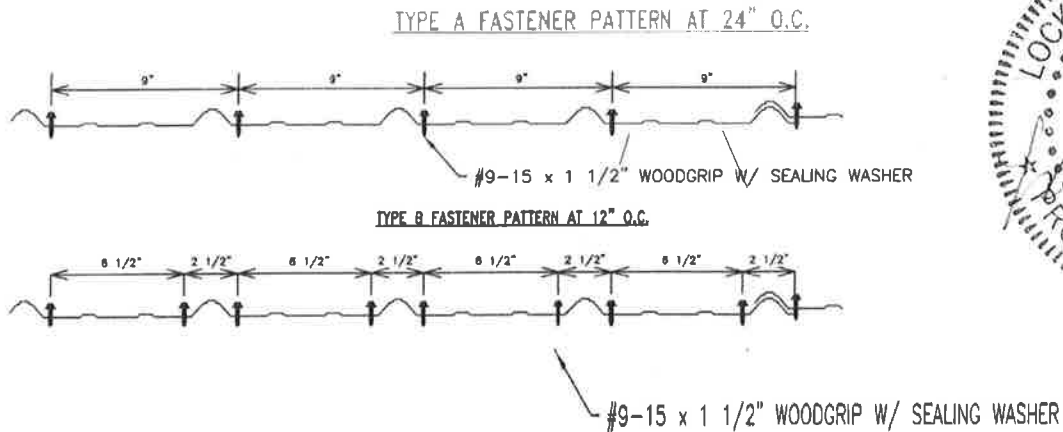
**1.5 Mechanical Lock-HVHZ\*1**



**1.0 Nail Strip\*1**

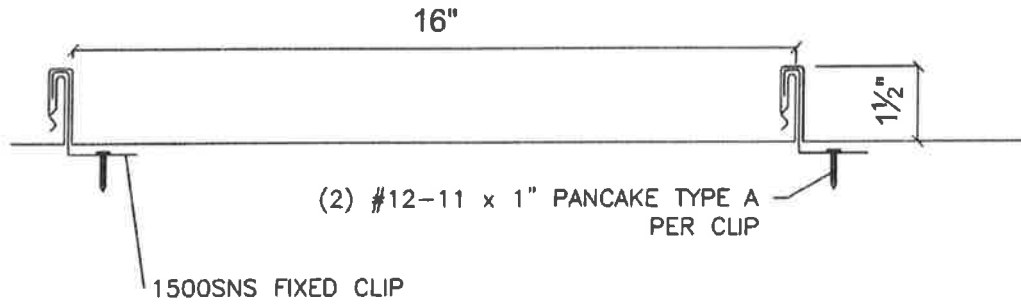


**Rib Panel 26GA -Non HVHZ\*1**

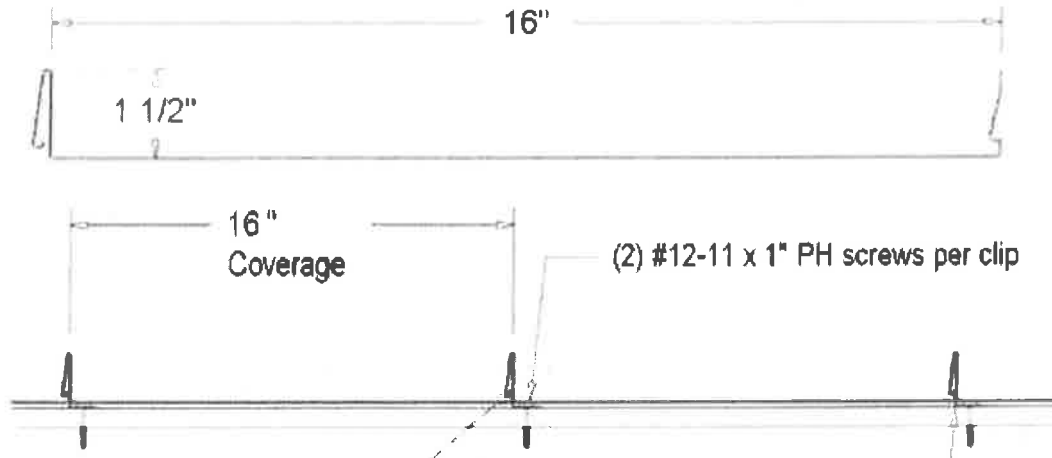


\*1 Install detail drawings by Terrence Wolfe, P.E.

Snap Lock -HVHZ\*1



Snap Lock Aluminum-Non HVHZ\*2



0.5" bead of TiteBond  
WeatherMaster Metal Roof  
Sealant along seam

\*2 Install Detail provided by PRI Construction Materials Technologies

