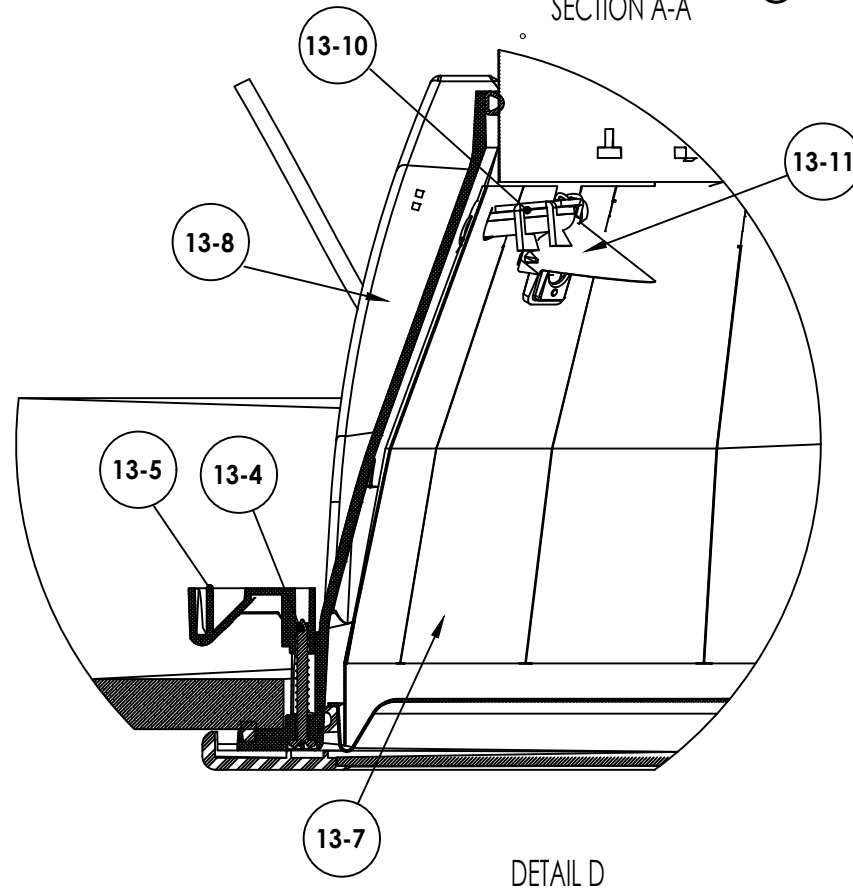
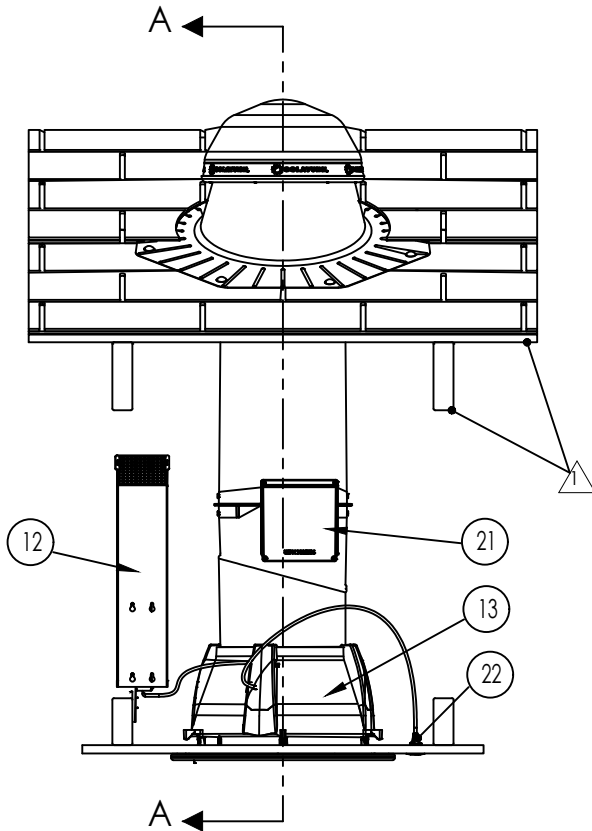
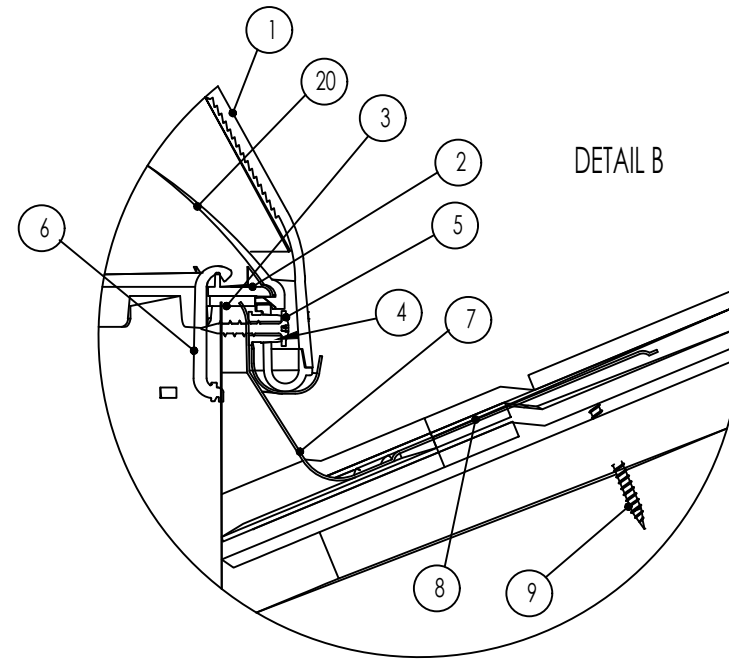
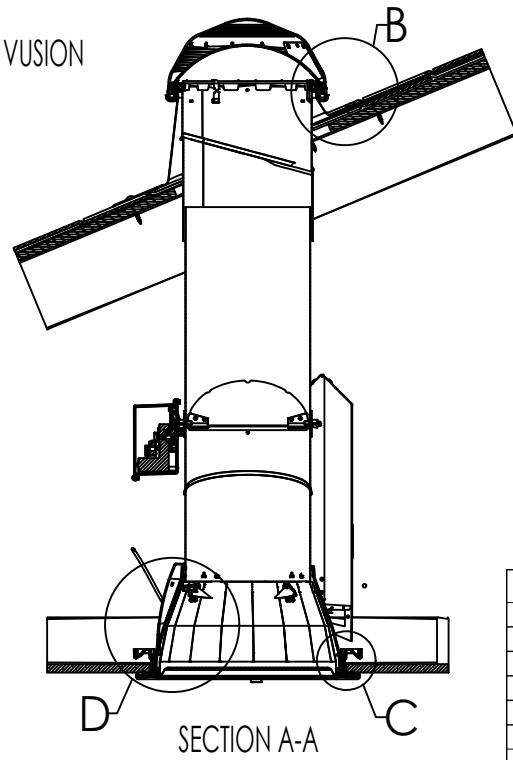
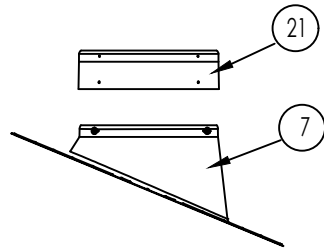
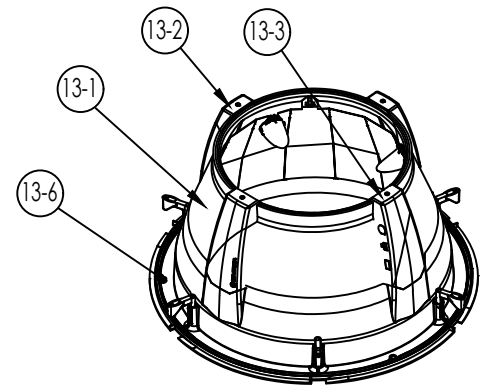
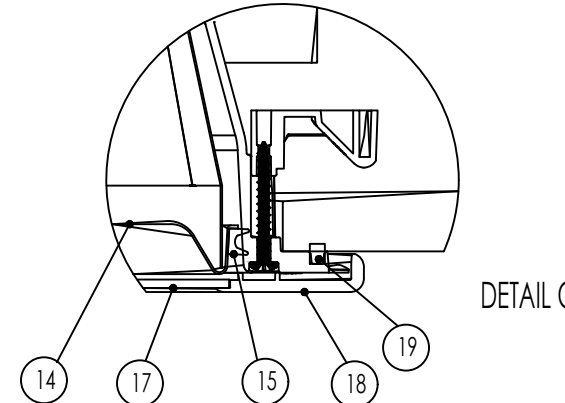


SOLATUBE SMART LED
(10 IN/250 MM)
SELF-FLASHING
HARD CEILING W/CLASSIC VUSION



ITEM NO.	QTY.	DESCRIPTION	MATERIAL
1	1	OUTER DOME 160 DS	PMMA
2	1	DOME RING 160 DS	PMMA
3	1	FOAM SEAL 1/8" X 9/16"	FOAM (VARIOUS)
4	4	DOME RING SPACER	POLYAMIDE
5	4	SCREW #8 X 1" MOD. TRUSS HEAD	STEEL
6	3	TOP TUBE CLIP	PMMA
7	1	FLASHING	STEEL
8	1	SEALANT	URETHANE
9	8	SCREW #10 X 2" SMS MOD TRUSS HEAD	STEEL
10	1	TOP TUBE 160 DS	ALUMINUM LAMINATE
11	1	TUBE 16" EXTENSION 160 DS	ALUMINUM LAMINATE
12	1	DRIVER ENCLOSURE ASSEMBLY	STEEL
13	1	SMART LED BASE PRIMARY/SECONDARY	
13-1	1	AMPLIFIER HOUSING	PC
13-2	1	AMPLIFIER COVER	PC
13-3	1	AMPLIFIER COVER PCB	PC
13-4	6	SCREW #8 X 1-3/4" SMS PHIL PAN A/B THREAD	STEEL
13-5	6	CLAMP	POLYAMIDE
13-6	4	SCREW 1-5/8" PHIL BUGLE (NOT SHOWN)	STEEL
13-7	1	AMPLIFIER PRIMARY/SECONDARY	ALUMINUM LAMINATE
13-8	1	CONTROLLER LED PCB	
13-9	1	WIRE HARNESS LED ARRAY (NOT SHOWN)	
13-10	1	LIGHT SENSOR	
13-11	1	LIGHT OPTIMIZATION LENS ASSEMBLY	PMMA
14	1	NATURAL/SOFTENING EFFECT LENS 290 DS	PET
15	1	DIFFUSER SEAL 290 DS	FOAM (VARIOUS)
16	1	D SEAL HOLLOW (NOT SHOWN)	FOAM (VARIOUS)
17	1	DIFFUSER PANEL 290 DS	PMMA
18	1	DRESS RING 290 DS	PMMA
19	1	FOAM SEAL 3/16" X 1/4"	FOAM (VARIOUS)
20	1	160 DS DOME SHOCK INNER	PMMA

OPTIONAL COMPONENTS			
ITEM NO.	QTY.	DESCRIPTION	MATERIAL
21	1	TURRET EXTENSION	STEEL
22	1	160 DS DAYLIGHT DIMMER	
23	1	OCCUPANCY SENSOR	



SMART LED BASE PRIMARY / SECONDARY

NOTES:

- STRUCTURAL ELEMENTS (PLYWOOD, RAFTERS, DRYWALL ETC.) BY OTHERS & SHOWN FOR REFERENCE ONLY
- ALL TUBE JOINTS & SEAMS TAPED WITH 2" FOIL TAPE (NOT SHOWN)
- DIMENSIONS IN BRACKETS ARE METRIC UNLESS OTHERWISE NOTED.
- 6" MIN CLEARANCE SHOULD BE MAINTAINED FROM ALL SOLATUBE COMPONENTS AND OTHER PLENUM COMPONENTS.

ASSEMBLY ELEVATIONS AND SECTIONS

PROJECT # 415-0316

SOLATUBE INTERNATIONAL
2210 OAK RIDGE WAY
VISTA, CA 92081-9341

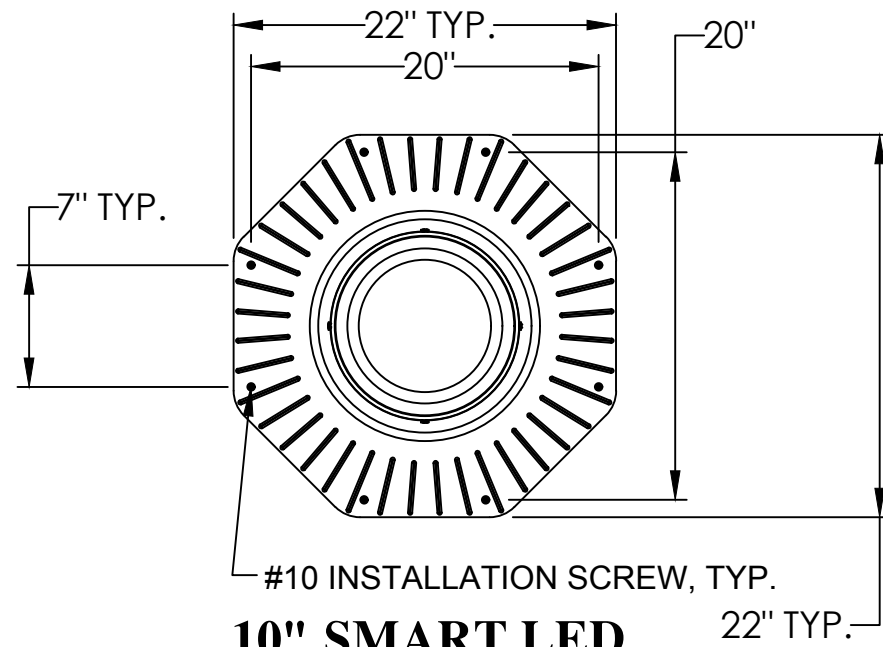
TITLE: SMART LED 10" TUBULAR DAYLIGHT DEVICE ELEVATIONS, SECTIONS AND BOM

DATE: 12/06/12
DRAWING NO: SOLA0008
SHEET: 2 OF 4
DRAWN BY: RJA
SCALE: N.T.S.
REV: B

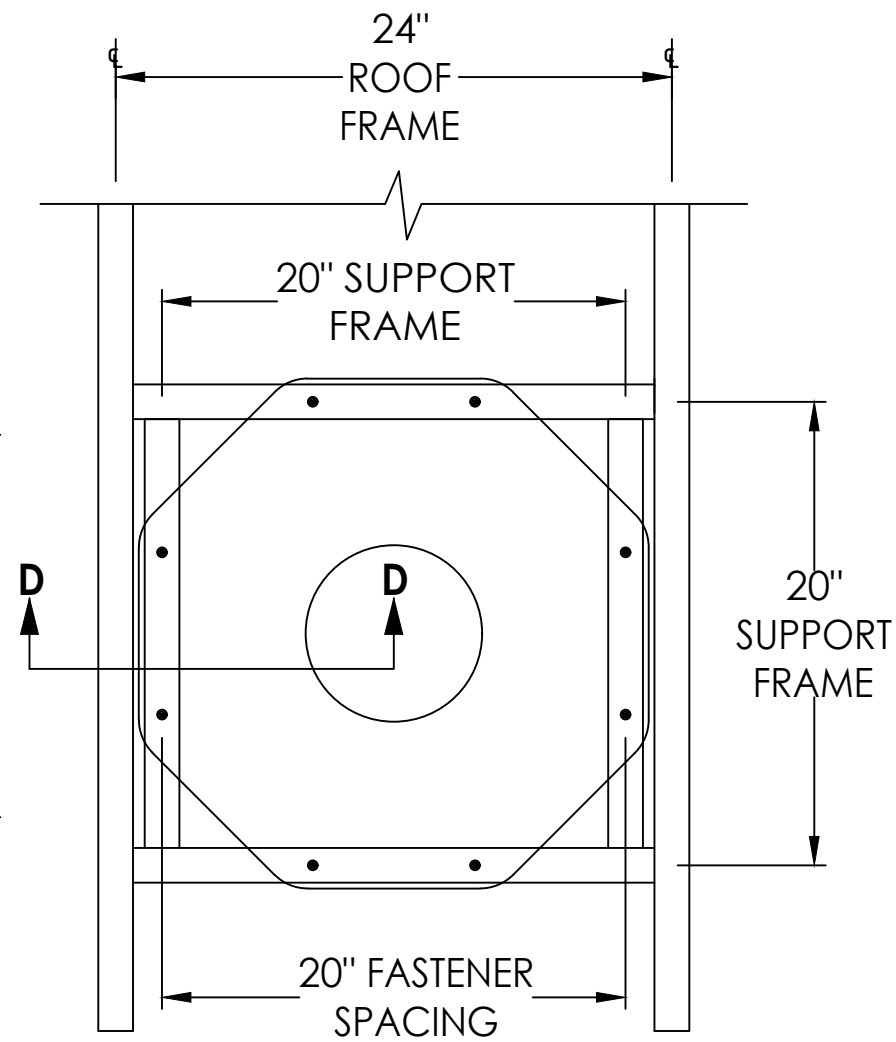
REV	DESCRIPTION	DATE	BY
B	UPDATE TO 5TH EDITION (2014) FBC	5/11/15	JBH
A	UPDATE ELEVATIONS & SECTIONS	04/30/15	JBH

Robert J. Amoruso, P.E.
Florida P.E. No. 49752

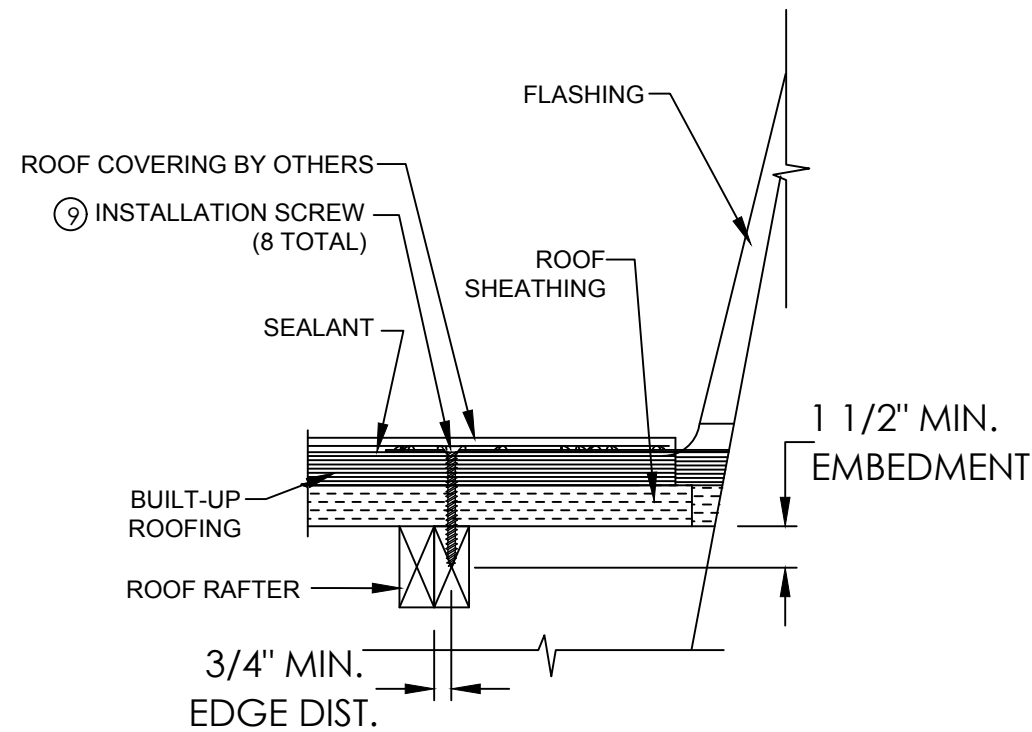
INSTALLATION DETAILS



**10" SMART LED
SOLATUBE FLASHING
PLAN**



FRAMING DETAIL 10"



SECTION D - D

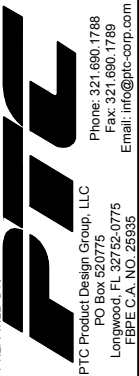
PROJECT # 415-0316

		JBH	JBH	BY
	UPDATED TO 5TH EDITION (2014) FBC	5/1/15	04/30/15	DATE
B	UPDATE ELEVATIONS & SECTIONS			DESCRIPTION
A				REV

SOLATUBE INTERNATIONAL
2210 OAK RIDGE WAY
VISTA, CA 92081-9341

TITLE: SMART LED 10" TUBULAR DAYLIGHT DEVICE
ELEVATION & ANCHOR LAYOUTS

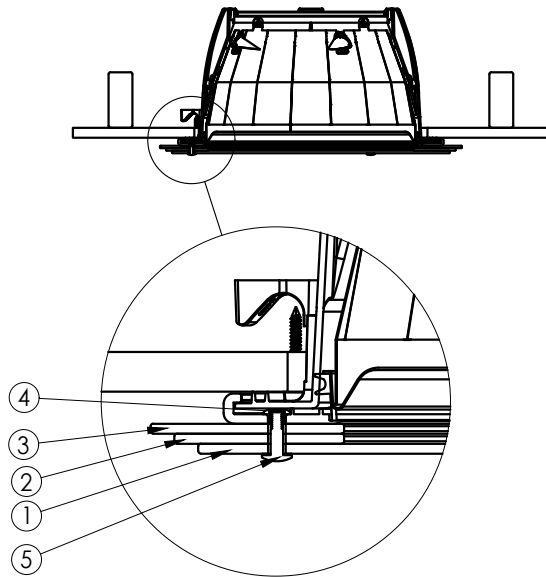
DRAWN BY: RJA	DATE: 12/06/12
SCALE: N.T.S.	DRAWING NO: SOLA0008
REV: B	SHEET: 3 OF 4



Robert J. Amoruso, P.E.
Florida P.E. No. 49752

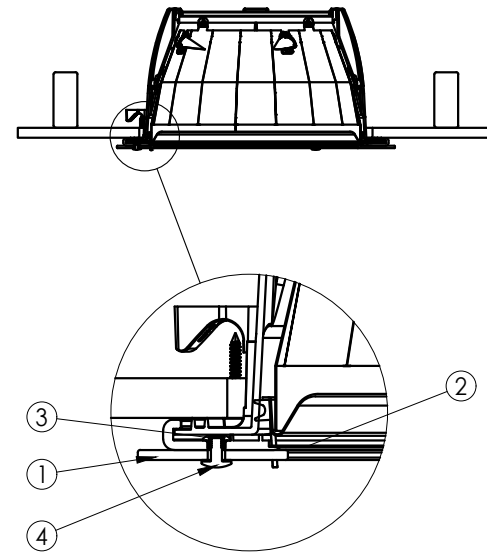
DIFFUSER ASSEMBLY CONFIGURATIONS

'TIER DROP' DIFFUSER ASSEMBLY



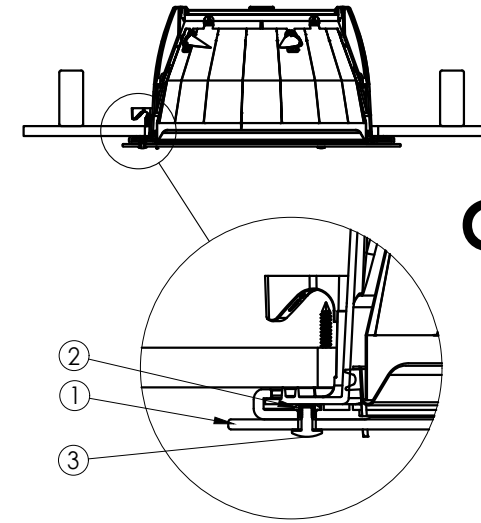
TIER DROP DIFFUSER ASSEMBLY COMPONENTS				
ITEM NO.	QTY.	PART NO.	DESCRIPTION	MATERIAL
1	1	400295	GLASS DISK 290 DS	TEMPERED GLASS
2	1	400296	MIDDLE GLASS RING 290 DS	TEMPERED GLASS
3	1	400297	TOP GLASS RING 290 DS	TEMPERED GLASS
4	3	700915	SPANNER NUT	STAINLESS STEEL
5	3	700925	SHOULDER SCREW M5	STAINLESS STEEL

'OPTIVIEW' DIFFUSER ASSEMBLY



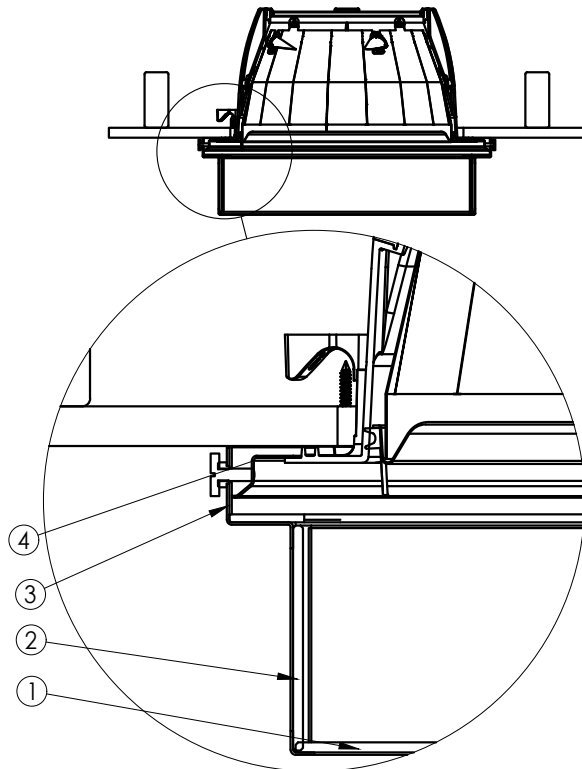
OPTIVIEW DIFFUSER ASSEMBLY COMPONENTS				
ITEM NO.	QTY.	PART NO.	DESCRIPTION	MATERIAL
1	1	400290	GLASS DISK CENTER CLEAR 290 DS	TEMPERED GLASS
2	1	420080	DIFFUSER 290 PANEL OPTIVIEW	PC
3	3	700915	SPANNER NUT	STAINLESS STEEL
4	3	700925	SHOULDER SCREW M5	STAINLESS STEEL

'JUST FROST' DIFFUSER ASSEMBLY



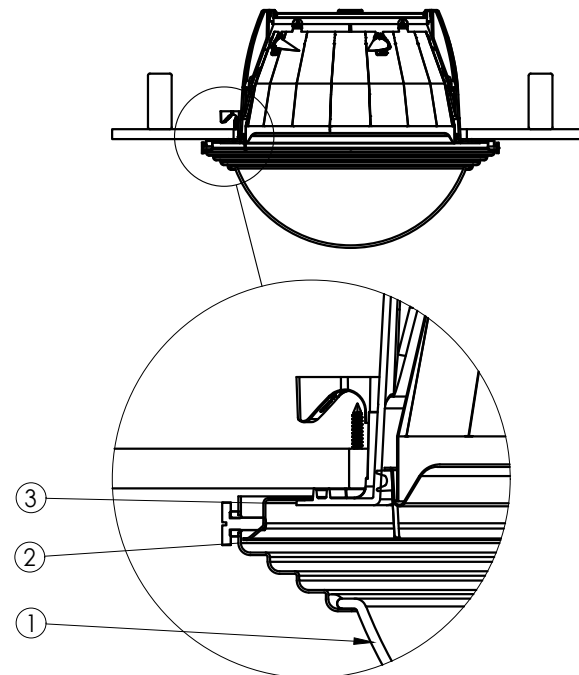
JUST FROST DIFFUSER ASSEMBLY COMPONENTS				
ITEM NO.	QTY.	PART NO.	DESCRIPTION	MATERIAL
1	1	400295	GLASS DISK 290 DS	TEMPERED GLASS
2	3	700915	SPANNER NUT	STAINLESS STEEL
3	3	700925	SHOULDER SCREW M5	STAINLESS STEEL

'QUADRA FROST' DIFFUSER ASSEMBLY



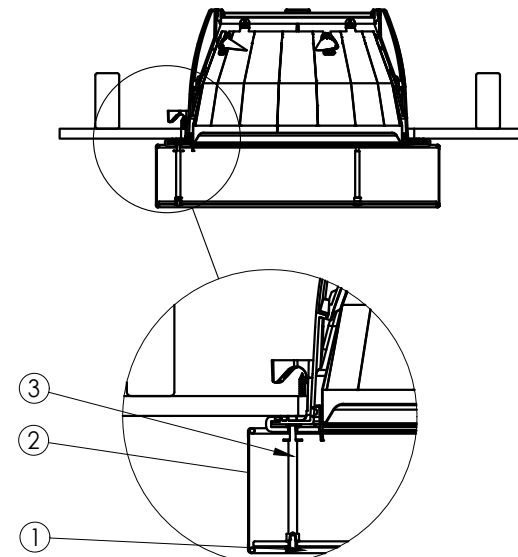
QUADRA FROST DIFFUSER ASSEMBLY COMPONENTS				
ITEM NO.	QTY.	PART NO.	DESCRIPTION	MATERIAL
1	1	400299	290 DS SQ. BOTTOM GLASS	TEMPERED GLASS
2	4	400294	290 DS SQ. SIDE GLASS	TEMPERED GLASS
3	1	492914	290 DS SQ. FRAME BRACKET ASSY.	STEEL
4	1	492900	290DS CEILING RING BELT	STEEL

'AURORA GLO' DIFFUSER ASSEMBLY



AURORA GLO DIFFUSER ASSEMBLY COMPONENTS				
ITEM NO.	QTY.	PART NO.	DESCRIPTION	MATERIAL
1	1	400292	290 DS GLASS ROUND	TEMPERED GLASS
2	4	492902	290 DS ROUND BOWL ROSE ASSY.	STEEL
3	1	492900	290DS CEILING RING BELT	STEEL

'VIVID SHADE' DIFFUSER ASSEMBLY



VIVID SHADE DIFFUSER ASSEMBLY COMPONENTS				
ITEM NO.	QTY.	PART NO.	DESCRIPTION	MATERIAL
1	1	400295	290 DS GLASS DISK	TEMPERED GLASS
2	1	492905	290DS SHADE FABRIC	FABRIC
3	1	701060	STAND-OFF 10CM	STEEL

SOLATUBE INTERNATIONAL
2210 OAK RIDGE WAY
VISTA, CA 92081-9341

TITLE: SMART LED 10" TUBULAR DAYLIGHT DEVICE
DIFFUSER ASSEMBLY OPTIONS

PREPARED BY: RJA
SCALE: N.T.S.
DATE: 12/06/12
DRAWING NO: SOLA0008
SHEET: 4 OF 4
REV: B

PTC Product Design Group, LLC
PO Box 520775
Longwood, FL 32752-0775
Phone: 321.690.1788
Fax: 321.690.1789
Email: info@ptc-corp.com
FBPE C.A. NO. 255835

Robert J. Amoruso, P.E.
Florida P.E. No. 49752

PROJECT # 415-0316

REV	DESCRIPTION	DATE	BY
B	UPDATED TO 5TH EDITION (2014) FBC	5/1/15	JBH
A	UPDATE ELEVATIONS & SECTIONS	04/30/15	JBH