

# STORM CATCHER WIND ABATEMENT SCREEN SYSTEM

## FOR USE INSIDE AND OUTSIDE THE HIGH VELOCITY HURRICANE ZONE

### STORM CATCHER THERMAL AND OPTICAL PROPERTIES SUMMARY

STORM CATCHER SCREEN COLOR	BLACK	WHITE	GRAY	BONE	BROWN
VLT - VISUAL LIGHT TRANSMITTANCE	0.21	0.28	0.17	0.14	0.09
UVT - ULTRAVIOLET LIGHT TRANSMITTANCE	0.12	0.14	0.12	0.06	0.07
SST - SOLAR SPECTRUM TRANSMITTANCE	0.13	0.30	0.16	0.18	0.09
VLR - VISUAL LIGHT REFLECTANCE	0.07	0.53	0.26	0.44	0.22
SSR - SOLAR SPECTRUM REFLECTANCE	0.04	0.46	0.19	0.42	0.17
SHGC - SOLAR HEAT GAIN COEFFICIENT	0.17	0.25	0.17	0.17	0.14
SHGC REDUCTION	78%	67%	78%	78%	82%

SHGC PROPERTIES TESTED TO: NFRC 201 - 2010 USING INTERIM STANDARD TEST METHOD WITH CALORIMETRY HOT BOX METHODS AND UTILIZING CLEAR, INSULATED GLASS.

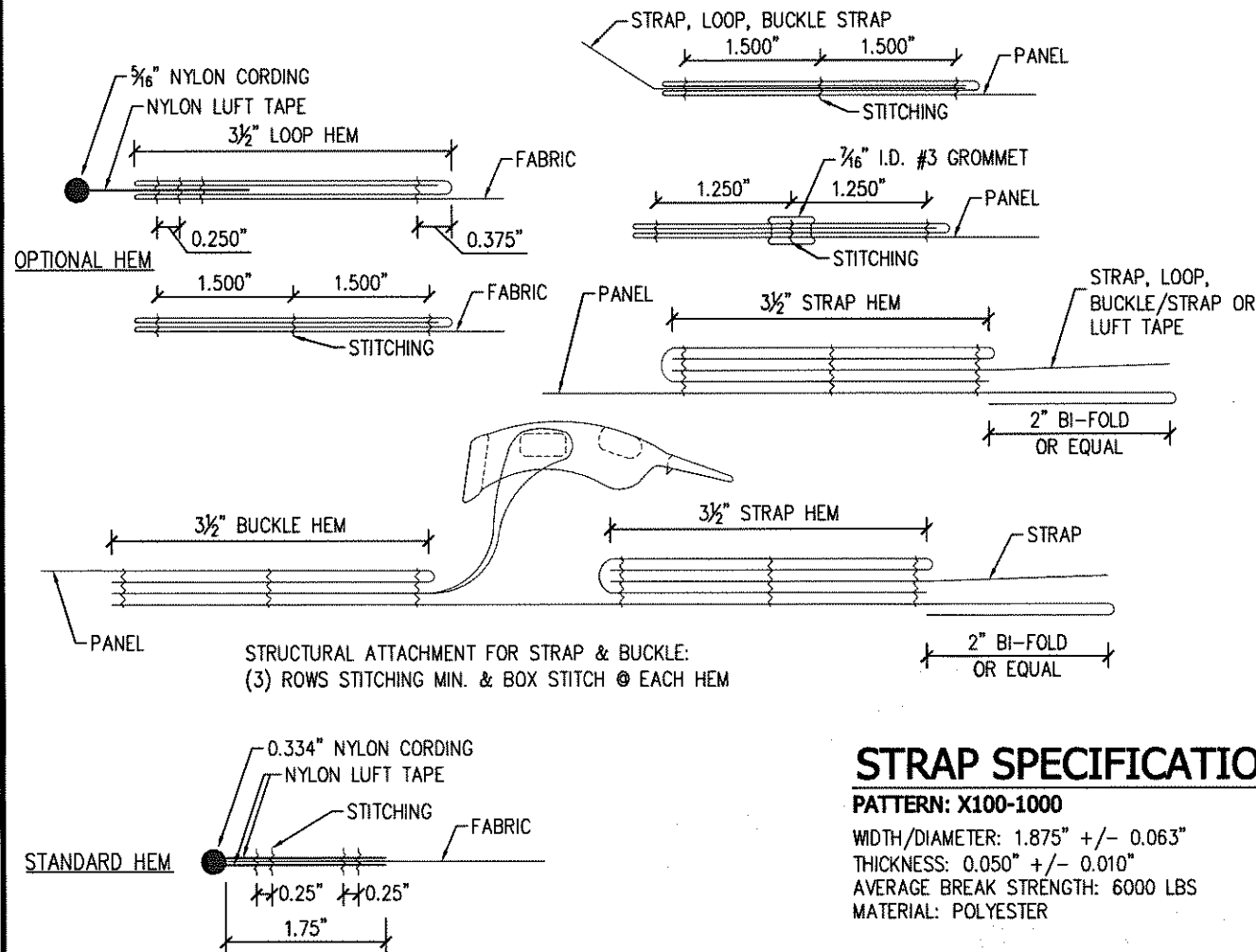
OPTICAL PROPERTIES TESTED TO:  
ASTM E972 / ASTM E1084 / ASHRAE 74 / NFRC 202

TESTING BY: ARCHITECTURAL TESTING, INC., FRESNO, CA  
WHAT IS SHGC?

A SIMPLE WAY TO EXPLAIN SHGC IS IN TERMS OF A RATIO; WHERE 1 IS THE MAXIMUM AMOUNT OF SOLAR HEAT GAIN THAT CAN COME THROUGH A WINDOW AND 0 IS THE LEAST AMOUNT. AN SHGC OF 0.25 THEN MEANS THAT 25% OF THE AVAILABLE SOLAR HEAT IS COMING THROUGH THE WINDOW.

WHAT IS VLT?  
VLT MEASURES HOW MUCH LIGHT COMES THROUGH A PRODUCT. VLT IS EXPRESSED AS A NUMBER BETWEEN 0 AND 1. THE HIGHER THE VLT NUMBER, THE HIGHER THE POTENTIAL FOR DAYLIGHTING.

### STRUCTURAL HEMS



### STRAP SPECIFICATIONS:

PATTERN: X100-1000  
WIDTH/DIAMETER: 1.875" +/- 0.063"  
THICKNESS: 0.050" +/- 0.010"  
AVERAGE BREAK STRENGTH: 6000 LBS  
MATERIAL: POLYESTER

### BUCKLE SPECIFICATIONS:

PATTERN: SPIKE TEETH GRIP  
WIDTH/DIAMETER: 2.5" +/- 0.10"  
THICKNESS: 0.050" +/- 0.010"  
MATERIAL: ACETAL

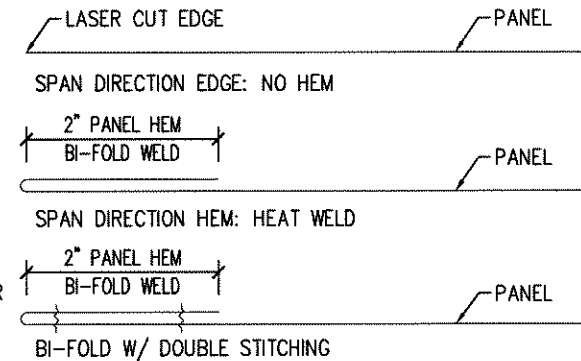
### REFER TO TABLES FOR ALLOWABLE DESIGN PRESSURES

EVALUATION BASED ON:

FENESTRATION TESTING LABORATORY, INC.

LAB. No.	8441	LAB. No.	7590
PROJECT No.	15-5893	PROJECT No.	13-4387
LAB. No.	8440	FILE No.	13-890
PROJECT No.	15-5892	LAB. No.	9695
LAB. No.	7561	PROJECT No.	17-7199
PROJECT No.	13-4387	LAB. No.	9818
FILE No.	13-890	PROJECT No.	17-7449
LAB. No.	6026	LAB. No.	9834
PROJECT No.	09-1664	PROJECT No.	17-7543
FILE No.	09-665	LAB. No.	9835
LAB. No.	9836	PROJECT No.	17-7449
PROJECT No.	17-7543	LAB. No.	9835
LAB. No.	9742	PROJECT No.	17-7449
PROJECT No.	17-7199	LAB. No.	9765
LAB. No.	9833	PROJECT No.	17-7449
PROJECT No.	17-7543	LAB. No.	9647
		PROJECT No.	17-7199

### APPROVED EDGES



### STITCHING - DETAILS

SPAN DIRECTION - SCALE: N.T.S.

A MINIMUM OF 3 ROWS OF STITCHING IS REQUIRED FOR SPAN DIRECTION EDGES.

DISTANCE BETWEEN ROWS OF STITCHING MAY VARY. STITCH PATTERNS DISPLAY REQUIRED NUMBER OF STITCH ROWS SHOWN, MINIMUM.

### GENERAL NOTES

- THE SYSTEM DESCRIBED HEREIN HAS BEEN DESIGNED AND TESTED IN ACCORDANCE WITH FLORIDA BUILDING CODE SIXTH EDITION (2017) AND 2015 INTERNATIONAL BUILDING CODE, FOR USE INSIDE AND OUTSIDE THE HIGH VELOCITY HURRICANE ZONE PER TAS 201, TAS 202, AND TAS 203 TESTING STANDARDS.
- THESE INSTALLATION INSTRUCTIONS ARE PART OF A PRODUCT APPROVAL EVALUATION AND SHALL ONLY BE USED IN CONJUNCTION WITH THE EVALUATION REPORT SUBMITTED FOR THE SAME PRODUCT APPROVAL.
- NO 33-1/3% INCREASE IN ALLOWABLE STRESS HAS BEEN USED IN THE DESIGN OF THIS SYSTEM. WIND LOAD DURATION FACTOR  $C_d=1.6$  HAS BEEN USED FOR WOOD ANCHOR DESIGN.
- POSITIVE AND NEGATIVE DESIGN PRESSURES CALCULATED FOR USE WITH THIS SYSTEM SHALL BE DETERMINED PER SEPARATE ENGINEERING IN ACCORDANCE WITH THE GOVERNING CODE. PRESSURE REQUIREMENTS SHALL BE LESS THAN OR EQUAL TO THE POSITIVE OR NEGATIVE DESIGN PRESSURE CAPACITY VALUES LISTED HEREIN FOR ANY ASSEMBLY AS SHOWN.
- DESIGN PRESSURES NOTED HEREIN ARE BASED ON MAXIMUM TESTED PRESSURES DIVIDED BY A 1.5 SAFETY FACTOR.
- THE SYSTEM DETAILED HEREIN IS GENERIC AND DOES NOT PROVIDE INFORMATION FOR A SPECIFIC SITE. FOR SITE CONDITIONS DIFFERENT FROM THE CONDITIONS DETAILED HEREIN, A LICENSED ENGINEER OR REGISTERED ARCHITECT SHALL PREPARE SITE SPECIFIC DOCUMENTS FOR USE IN CONJUNCTION WITH THIS DOCUMENT.
- THIS PRODUCT IS CLASSIFIED AS NON-POROUS, HAVING A POROSITY OF LESS THAN 10%. FOR THE CONDITIONS SHOWN IN THIS PRODUCT EVALUATION DOCUMENT, SCREEN PANELS MUST COMPLETELY COVER AN OPENING IN ALL DIRECTIONS TO MEET BUILDING ENVELOPE REQUIREMENTS.
- PERMIT HOLDER SHALL VERIFY THE ADEQUACY OF THE EXISTING STRUCTURE TO WITHSTAND SUPERIMPOSED LOADS. WOOD BUCKS (BY OTHERS) SHALL BE ANCHORED PROPERLY TO TRANSFER LOADS TO THE EXISTING STRUCTURE.
- MAXIMUM PANEL SPAN:
  - 30'-0" FOR DESIGN PRESSURES UP TO  $\pm 60$  PSF
  - 16'-0" FOR DESIGN PRESSURES UP TO  $\pm 130$  PSF
  - FOR GROMMET SCREENS: 16'-0" FOR DESIGN PRESSURES UP TO  $\pm 60$  PSF
- MAXIMUM ALLOWABLE DESIGN PRESSURE: SEE 9.1, 9.2 & 9.3 ABOVE.
- PANELS SHALL BE PERMANENTLY LABELED WITH A MINIMUM OF ONE LABEL PER PANEL CONTAINING THE FOLLOWING MINIMUM INFORMATION:  
STORM SMART INDUSTRIES, INC.  
6182 IDLEWILD STREET, FORT MYERS, FL 33966  
FL PRODUCT APPROVAL NO. FL11291.2  
OPENING NO. #
- HURRICANE FABRIC PANELS MAY BE MOUNTED VERTICALLY OR HORIZONTALLY AS APPLICABLE WITH SEPARATION FROM GLAZING PER TABLE 3 ON SHEET 4.
- EXCEPT AS EXPRESSLY PROVIDED HEREIN, NO ADDITIONAL CERTIFICATIONS OR AFFIRMATIONS ARE INTENDED.
- ALL ALUMINUM EXTRUSIONS SHALL BE 6063-T6, U.N.O.

### HURRICANE BARRIER

POLYPROPYLENE MONOFILAMENT WOVEN INTO BASKET WEAVE DESIGN:  
BEIGE/BLACK (BROWN), BEIGE/WHITE (BONE), BLACK, BLACK/WHITE (GRAY), WHITE, BLACK

MECHANICAL PROPERTIES	TEST METHOD	UNIT	TYPICAL ROLL VALUE	
			MD	CD
GRAB TENSILE STRENGTH	ASTM D4632	LBS	500	550
TRAPEZOID TEAR STRENGTH	ASTM D4533	LBS	200	250
MULLEN BURST	ASTM D3786	PSI	750	
PUNCTURE STRENGTH	ASTM D4833	LBS	200	
AIR FLOW	ASTM D737	CFM	175	
PERCENT OPEN AREA <sup>1</sup>	COE-02215	%	5	
UV RESISTANCE (QUV)	ASTM G154	% STRENGTH RETAINED	70	

<sup>1</sup>Percent Open Area is a MARV.

PHYSICAL PROPERTIES	TEST METHOD	UNIT	TYPICAL VALUE
WEIGHT	ASTM D5261	OZ/YD <sup>2</sup>	9.7
THICKNESS	ASTM D5199	MIL	21
CONSTRUCTION		EPI/PPI	60 x 63
FIBER CONTENT			100% PP

### SEWING:

T138 POLYESTER THREAD (FOR ALL SPANS @ +/- 130PSF)  
2400/2640 PTFE THREAD (FOR SPANS UP TO 16' & +/- 130PSF)  
GENERIC OR EQUIVALENT; SEE STITCHING DETAILS ON THIS SHEET.

FRANK L. BENNARDO, P.E.  
PE# 0048392  
LICENSE# 10/20/2019  
NO. HE.0048392  
STATE OF FLORIDA  
ENGINEERING EXPRESS, INC.  
CORPORATE OFFICE:  
160 SW 12th AVE, SUITE 206  
DEERFIELD BEACH, FL 33442  
P: (954) 354-0660 F: (954) 354-0443  
E: HELLO@ENGINEERINGEXPRESS.COM  
ENGINEERING EXPERTS  
CERT. OF AUTH. #9885

STORM SMART INDUSTRIES, INC.  
6182 IDLEWILD STREET  
FORT MYERS, FL  
(239) 938-1000  
STORM CATCHER WIND ABATEMENT SYSTEM FL11291.2 HVHZ

DATE: 10/18/17  
DRWN: CHKD  
RWN: FLB  
INT ISSUE  
REMARKS  
THIS DOCUMENT IS THE PROPERTY OF ENGINEERING EXPRESS, AND SHALL NOT BE REPRODUCED IN WHOLE OR PART WITHOUT WRITTEN CONSENT OF ENGINEERING EXPRESS. ALTERATIONS, ADDITIONS, OR OTHER MARKINGS TO THIS DOCUMENT ARE NOT PERMITTED AND INVALIDATE OUR CERTIFICATION.

COPYRIGHT ENGINEERING EXPRESS  
16-3080  
SCALE: NTS UNLESS NOTED  
36  
1

V:\Projects\16-3080 Storm Catcher Wind Abatement System FL11291-RA\WP\2017 FBC Update\16-3080e-Dwg-11291.2.dwg  
zachr  
10/20/2017 - 3:08pm

**TABLE 1**

**LOAD ON EXISTING STRUCTURE FROM SCREEN SYSTEM**  
 Tx = PARALLEL LOADS (PLF)

SPAN	DESIGN PRESSURE																				
	30 PSF	35 PSF	40 PSF	45 PSF	50 PSF	55 PSF	60 PSF	65 PSF	70 PSF	75 PSF	80 PSF	85 PSF	90 PSF	95 PSF	100 PSF	105 PSF	110 PSF	115 PSF	120 PSF	125 PSF	130 PSF
3'-0"	257.2	285.0	311.6	337.0	361.5	385.3	408.3	430.6	452.5	473.8	494.6	515.0	535.0	554.6	573.9	592.9	611.6	630.0	648.1	666.0	683.6
3'-6"	285.0	315.9	345.3	373.5	400.7	427.0	452.5	477.3	501.4	525.0	548.1	570.7	592.9	614.6	636.0	657.1	677.8	698.1	718.2	738.0	757.6
4'-0"	311.6	345.3	377.4	408.3	438.0	466.7	494.6	521.7	548.1	573.9	599.1	623.9	648.1	671.9	695.2	718.2	740.9	763.1	785.1	806.8	828.1
4'-6"	337.0	373.5	408.3	441.6	473.8	504.8	535.0	564.3	592.9	620.8	648.1	674.8	701.0	726.8	752.0	776.9	801.4	825.5	849.2	872.7	895.8
5'-0"	361.5	400.7	438.0	473.8	508.2	541.6	573.9	605.4	636.0	666.0	695.2	723.9	752.0	779.6	806.8	833.4	859.7	885.5	911.0	936.2	961.0
5'-6"	385.3	427.0	466.7	504.8	541.6	577.1	611.6	645.1	677.8	709.7	740.9	771.4	801.4	830.8	859.7	888.1	916.1	943.6	970.8	997.6	1024.0
6'-0"	408.3	452.5	494.6	535.0	573.9	611.6	648.1	683.6	718.2	752.0	785.1	817.5	849.2	880.4	911.0	941.1	970.8	1000.0	1028.8	1057.2	1085.2
6'-6"	430.6	477.3	521.7	564.3	605.4	645.1	683.6	721.1	757.6	793.3	828.1	862.3	895.8	928.7	961.0	992.7	1024.0	1054.8	1085.2	1115.1	1144.6
7'-0"	452.5	501.4	548.1	592.9	636.0	677.8	718.2	757.6	796.0	833.4	870.1	906.0	941.1	975.7	1009.6	1043.0	1075.9	1108.2	1140.1	1171.6	1202.6
7'-6"	473.8	525.0	573.9	620.8	666.0	709.7	752.0	793.3	833.4	872.7	911.0	948.6	985.4	1021.6	1057.2	1092.1	1126.5	1160.4	1193.8	1226.7	1259.2
8'-0"	494.6	548.1	599.1	648.1	695.2	740.9	785.1	828.1	870.1	911.0	951.1	990.3	1028.8	1066.5	1103.6	1140.1	1176.0	1211.4	1246.3	1280.7	1314.6
8'-6"	515.0	570.7	623.9	674.8	723.9	771.4	817.5	862.3	906.0	948.6	990.3	1031.2	1071.2	1110.5	1149.2	1187.1	1224.5	1261.4	1297.7	1333.5	1368.8
9'-0"	535.0	592.9	648.1	701.0	752.0	801.4	849.2	895.8	941.1	985.4	1028.8	1071.2	1112.8	1153.7	1193.8	1233.3	1272.1	1310.4	1348.1	1385.3	1422.0
9'-6"	554.6	614.6	671.9	726.8	779.6	830.8	880.4	928.7	975.7	1021.6	1066.5	1110.5	1153.7	1196.0	1237.6	1278.5	1318.8	1358.5	1397.6	1436.1	1474.2
10'-0"	573.9	636.0	695.2	752.0	806.8	859.7	911.0	961.0	1009.6	1057.2	1103.6	1149.2	1193.8	1237.6	1280.7	1323.0	1364.7	1405.7	1446.2	1486.1	1525.4
10'-6"	592.9	657.1	718.2	776.9	833.4	888.1	941.1	992.7	1043.0	1092.1	1140.1	1187.1	1233.3	1278.5	1323.0	1366.7	1409.8	1452.2	1494.0	1535.2	1575.9
11'-0"	611.6	677.8	740.9	801.4	859.7	916.1	970.8	1024.0	1075.9	1126.5	1176.0	1224.5	1272.1	1318.8	1364.7	1409.8	1454.2	1497.9	1541.0	1583.6	1625.5
11'-6"	630.0	698.1	763.1	825.5	885.5	943.6	1000.0	1054.8	1108.2	1160.4	1211.4	1261.4	1310.4	1358.5	1405.7	1452.2	1497.9	1543.0	1587.4	1631.2	1674.4
12'-0"	648.1	718.2	785.1	849.2	911.0	970.8	1028.8	1085.2	1140.1	1193.8	1246.3	1297.7	1348.1	1397.6	1446.2	1494.0	1541.0	1587.4	1633.1	1678.1	1722.6
12'-6"	666.0	738.0	806.8	872.7	936.2	997.6	1057.2	1115.1	1171.6	1226.7	1280.7	1333.5	1385.3	1436.1	1486.1	1535.2	1583.6	1631.2	1678.1	1724.4	1770.1
13'-0"	683.6	757.6	828.1	895.8	961.0	1024.0	1085.2	1144.6	1202.6	1259.2	1314.6	1368.8	1422.0	1474.2	1525.4	1575.9	1625.5	1674.4	1722.6	1770.1	1817.0
13'-6"	701.0	776.9	849.2	918.6	985.4	1050.1	1112.8	1173.8	1233.3	1291.3	1348.1	1403.7	1458.2	1511.7	1564.3	1616.0	1666.9	1717.1	1766.5	1815.2	1863.3
14'-0"	718.2	796.0	870.1	941.1	1009.6	1075.9	1140.1	1202.6	1263.5	1323.0	1381.2	1438.1	1494.0	1548.8	1602.7	1655.7	1707.8	1759.2	1809.8	1859.8	1909.0
14'-6"	735.2	814.8	890.7	963.4	1033.5	1101.3	1167.1	1231.1	1293.4	1354.3	1413.9	1472.2	1529.3	1585.5	1640.6	1694.9	1748.3	1800.8	1852.7	1903.8	1954.2
15'-0"	752.0	833.4	911.0	985.4	1057.2	1126.5	1193.8	1259.2	1323.0	1385.3	1446.2	1505.8	1564.3	1621.7	1678.1	1733.6	1788.2	1842.0	1895.0	1947.3	1998.9
15'-6"	768.7	851.9	931.2	1007.2	1080.5	1151.4	1220.2	1287.0	1352.2	1415.9	1478.1	1539.1	1598.9	1657.6	1715.2	1771.9	1827.7	1882.7	1936.9	1990.3	2043.1
16'-0"	785.1	870.1	951.1	1028.8	1103.6	1176.0	1246.3	1314.6	1381.2	1446.2	1509.8	1572.0	1633.1	1693.0	1751.9	1809.8	1866.8	1923.0	1978.3	2032.9	2086.8
16'-6"	801.1	887.8	970.4	1049.7	1126.1	1199.9	1271.6	1341.6	1411.6	1481.6	1551.6	1621.6	1691.6	1761.6	1831.6	1901.6	1971.6	2041.6	2111.6	2181.6	2251.6
17'-0"	816.6	905.0	989.3	1070.1	1147.9	1223.2	1296.3	1368.3	1440.3	1512.3	1584.3	1656.3	1728.3	1800.3	1872.3	1944.3	2016.3	2088.3	2160.3	2232.3	2304.3
17'-6"	831.9	921.9	1007.8	1090.1	1169.4	1246.1	1320.6	1395.1	1469.6	1544.1	1618.6	1693.1	1767.6	1842.1	1916.6	1991.1	2065.6	2140.1	2214.6	2289.1	2363.6
18'-0"	846.9	938.6	1026.0	1109.8	1190.5	1268.6	1344.4	1420.2	1495.9	1571.7	1647.4	1723.1	1798.8	1874.5	1950.2	2025.9	2101.6	2177.3	2253.0	2328.7	2404.4
18'-6"	861.7	954.9	1043.8	1129.1	1211.3	1290.7	1367.8	1444.9	1521.9	1598.9	1675.9	1752.9	1829.9	1906.9	1983.9	2060.9	2137.9	2214.9	2291.9	2368.9	2445.9
19'-0"	876.2	971.0	1061.4	1148.1	1231.6	1312.4	1390.8	1469.2	1547.6	1625.9	1704.3	1782.7	1861.1	1939.5	2017.9	2096.3	2174.7	2253.1	2331.5	2409.9	2488.3
19'-6"	890.4	986.7	1078.6	1166.7	1251.6	1333.7	1413.4	1493.1	1572.8	1652.5	1732.2	1811.9	1891.6	1971.3	2051.0	2130.7	2210.4	2290.1	2369.8	2449.5	2529.2
20'-0"	904.3	1002.2	1095.5	1185.0	1271.2	1354.6	1435.5	1516.4	1597.3	1678.2	1759.1	1840.0	1920.9	2001.8	2082.7	2163.6	2244.5	2325.4	2406.3	2487.2	2568.1
20'-6"	918.0	1017.3	1112.0	1202.9	1290.4	1375.1	1457.2	1540.3	1623.4	1706.5	1789.6	1872.7	1955.8	2038.9	2122.0	2205.1	2288.2	2371.3	2454.4	2537.5	2620.6
21'-0"	931.3	1032.1	1128.2	1220.4	1309.2	1395.1	1478.4	1562.7	1647.0	1731.3	1815.6	1900.0	1984.3	2068.6	2152.9	2237.2	2321.5	2405.8	2490.1	2574.4	2658.7
21'-6"	944.4	1046.6	1144.1	1237.5	1327.6	1414.7	1499.2	1584.7	1670.2	1755.7	1841.2	1926.7	2012.2	2097.7	2183.2	2268.7	2354.2	2439.7	2525.2	2610.7	2696.2
22'-0"	957.2	1060.8	1159.6	1254.3	1345.6	1433.8	1519.5	1606.8	1694.1	1781.4	1868.7	1956.0	2043.3	2130.6	2217.9	2305.2	2392.5	2479.8	2567.1	2654.4	2741.7
22'-6"	969.7	1074.6	1174.7	1270.7	1363.1	1452.5	1539.3	1627.6	1715.9	1804.2	1892.5	1980.8	2069.1	2157.4	2245.7	2334.0	2422.3	2510.6	2598.9	2687.2	2775.5
23'-0"	981.9	1088.1	1189.5	1286.6	1380.2	1470.8	1558.6	1648.3	1738.0	1827.7	1917.4	2007.1	2096.8	2186.5	2276.2	2365.9	2455.6	2545.3	2635.0	2724.7	2814.4
23'-6"	993.7	1101.3	1203.8	1302.2	1396.9	1488.5	1577.4	1668.3	1759.2	1850.1	1941.0	2031.9	2122.8	2213.7	2304.6	2395.5	2486.4	2577.3	2668.2	2759.1	2850.0
24'-0"	1005.3	1114.1	1217.8	1317.3	1413.1	1505.8	1595.7	1686.6	1777.5	1868.4	1959.3	2050.2	2141.1	2232.0	2322.9	2413.8	2504.7	2595.6	2686.5	2777.4	2868.3
24'-6"	1016.4	1126.5	1231.3	1331.9	1428.8	1522.6	1613.5	1706.4	1799.3	1892.2	1985.1	2078.0	2170.9	2263.8	2356.7	2449.6	2542.5	2635.4	2728.3	2821.2	2914.1
25'-0"	1027.3	1138.5	1244.5	1346.1	1444.1	1538.8	1630.7	1724.6	1818.5	1912.4	2006.3	2100.2	2194.1	2288.0	2381.9	2475.8	2569.7	2663.6	2757.5	2851.4	2945.3
25'-6"	1037.8	1150.1	1257.2	1359.9	1458.8	1554.5	1647.4	1742.3	1837.2	1932.1	2027.0	2121.9	2216.8	2311.7	2406.6	2501.5	2596.4	2691.3	2786.2	2881.1	2976.0
26'-0"	1047.9	1161.3	1269.4	1373.1	1473.0	1569.7	1663.4	1759.1	1854.8	1950.5	2046.2	2141.9	2237.6	2333.3	2429.0	2524.7	2620.4	2716.1	2811.8	2907.5	3003.2
26'-6"	1057.6	1172.0	1281.2	1385.8	1486.7	1584.2	1678.8	1775.5	1872.2	1968.9	2065.6	2162.3	2259.0	2355.7	2452.4	2549.1	2645.8	2742.5	2839.2	2935.9	3032.6
27'-0"	1066.9	1182.4	1292.4	1398.0	1499.7	1598.1	1693.6	1791.1	1888.6	1986.1	2083.6	2181.1	2278.6	2376.1	2473.6	2571.1	2668.6	2766.1	2863.6	2961.1	3058.6
27'-6"	1075.8	1192.2	1303.2	1409.6	1512.2	1611.4	1707.7	1806.0	1904.3	2002.6	2100.9	2199.2	2297.5	2395.8	2494.1	2592.4	2690.7	2789.0	2887.3	2985.6	3083.9
28'-0"	1084.2	1201.5	1313.4	1420.7	1524.0	1624.0	1721														

**TABLE 2**

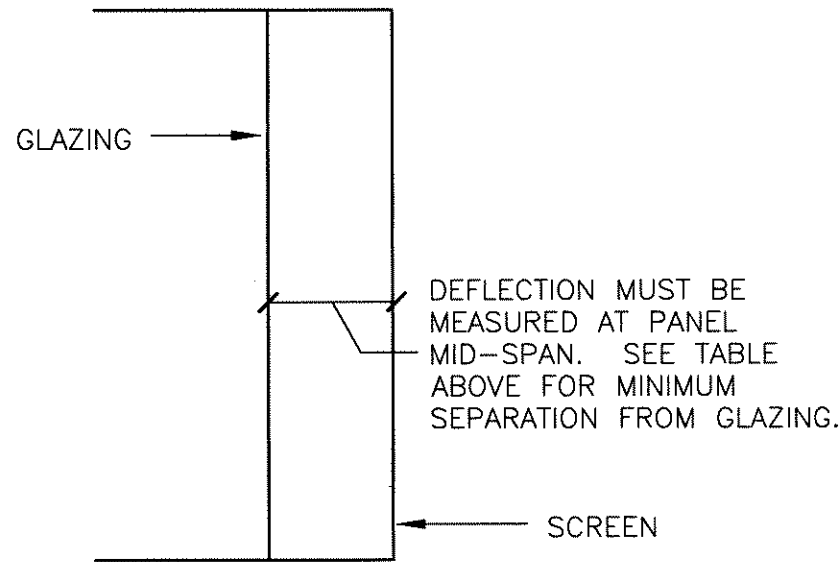
**LOAD ON EXISTING STRUCTURE FROM SCREEN SYSTEM**  
 Ty = PERPENDICULAR LOADS (PLF)

SPAN	DESIGN PRESSURE																				
	30 PSF	35 PSF	40 PSF	45 PSF	50 PSF	55 PSF	60 PSF	65 PSF	70 PSF	75 PSF	80 PSF	85 PSF	90 PSF	95 PSF	100 PSF	105 PSF	110 PSF	115 PSF	120 PSF	125 PSF	130 PSF
3'-0"	45.0	52.5	60.0	67.5	75.0	82.5	90.0	97.5	105.0	112.5	120.0	127.5	135.0	142.5	150.0	157.5	165.0	172.5	180.0	187.5	195.0
3'-6"	52.5	61.3	70.0	78.8	87.5	96.3	105.0	113.8	122.5	131.3	140.0	148.8	157.5	166.3	175.0	183.8	192.5	201.3	210.0	218.8	227.5
4'-0"	60.0	70.0	80.0	90.0	100.0	110.0	120.0	130.0	140.0	150.0	160.0	170.0	180.0	190.0	200.0	210.0	220.0	230.0	240.0	250.0	260.0
4'-6"	67.5	78.8	90.0	101.3	112.5	123.8	135.0	146.3	157.5	168.8	180.0	191.3	202.5	213.8	225.0	236.3	247.5	258.8	270.0	281.3	292.5
5'-0"	75.0	87.5	100.0	112.5	125.0	137.5	150.0	162.5	175.0	187.5	200.0	212.5	225.0	237.5	250.0	262.5	275.0	287.5	300.0	312.5	325.0
5'-6"	82.5	96.3	110.0	123.8	137.5	151.3	165.0	178.8	192.5	206.3	220.0	233.8	247.5	261.3	275.0	288.8	302.5	316.3	330.0	343.8	357.5
6'-0"	90.0	105.0	120.0	135.0	150.0	165.0	180.0	195.0	210.0	225.0	240.0	255.0	270.0	285.0	300.0	315.0	330.0	345.0	360.0	375.0	390.0
6'-6"	97.5	113.8	130.0	146.3	162.5	178.8	195.0	211.3	227.5	243.8	260.0	276.3	292.5	308.8	325.0	341.3	357.5	373.8	390.0	406.3	422.5
7'-0"	105.0	122.5	140.0	157.5	175.0	192.5	210.0	227.5	245.0	262.5	280.0	297.5	315.0	332.5	350.0	367.5	385.0	402.5	420.0	437.5	455.0
7'-6"	112.5	131.3	150.0	168.8	187.5	206.3	225.0	243.8	262.5	281.3	300.0	318.8	337.5	356.3	375.0	393.8	412.5	431.3	450.0	468.8	487.5
8'-0"	120.0	140.0	160.0	180.0	200.0	220.0	240.0	260.0	280.0	300.0	320.0	340.0	360.0	380.0	400.0	420.0	440.0	460.0	480.0	500.0	520.0
8'-6"	127.5	148.8	170.0	191.3	212.5	233.8	255.0	276.3	297.5	318.8	340.0	361.3	382.5	403.8	425.0	446.3	467.5	488.8	510.0	531.3	552.5
9'-0"	135.0	157.5	180.0	202.5	225.0	247.5	270.0	292.5	315.0	337.5	360.0	382.5	405.0	427.5	450.0	472.5	495.0	517.5	540.0	562.5	585.0
9'-6"	142.5	166.3	190.0	213.8	237.5	261.3	285.0	308.8	332.5	356.3	380.0	403.8	427.5	451.3	475.0	498.8	522.5	546.3	570.0	593.8	617.5
10'-0"	150.0	175.0	200.0	225.0	250.0	275.0	300.0	325.0	350.0	375.0	400.0	425.0	450.0	475.0	500.0	525.0	550.0	575.0	600.0	625.0	650.0
10'-6"	157.5	183.8	210.0	236.3	262.5	288.8	315.0	341.3	367.5	393.8	420.0	446.3	472.5	498.8	525.0	551.3	577.5	603.8	630.0	656.3	682.5
11'-0"	165.0	192.5	220.0	247.5	275.0	302.5	330.0	357.5	385.0	412.5	440.0	467.5	495.0	522.5	550.0	577.5	605.0	632.5	660.0	687.5	715.0
11'-6"	172.5	201.3	230.0	258.8	287.5	316.3	345.0	373.8	402.5	431.3	460.0	488.8	517.5	546.3	575.0	603.8	632.5	661.3	690.0	718.8	747.5
12'-0"	180.0	210.0	240.0	270.0	300.0	330.0	360.0	390.0	420.0	450.0	480.0	510.0	540.0	570.0	600.0	630.0	660.0	690.0	720.0	750.0	780.0
12'-6"	187.5	218.8	250.0	281.3	312.5	343.8	375.0	406.3	437.5	468.8	500.0	531.3	562.5	593.8	625.0	656.3	687.5	718.8	750.0	781.3	812.5
13'-0"	195.0	227.5	260.0	292.5	325.0	357.5	390.0	422.5	455.0	487.5	520.0	552.5	585.0	617.5	650.0	682.5	715.0	747.5	780.0	812.5	845.0
13'-6"	202.5	236.3	270.0	303.8	337.5	371.3	405.0	438.8	472.5	506.3	540.0	573.8	607.5	641.3	675.0	708.8	742.5	776.3	810.0	843.8	877.5
14'-0"	210.0	245.0	280.0	315.0	350.0	385.0	420.0	455.0	490.0	525.0	560.0	595.0	630.0	665.0	700.0	735.0	770.0	805.0	840.0	875.0	910.0
14'-6"	217.5	253.8	290.0	326.3	362.5	398.8	435.0	471.3	507.5	543.8	580.0	616.3	652.5	688.8	725.0	761.3	797.5	833.8	870.0	906.3	942.5
15'-0"	225.0	262.5	300.0	337.5	375.0	412.5	450.0	487.5	525.0	562.5	600.0	637.5	675.0	712.5	750.0	787.5	825.0	862.5	900.0	937.5	975.0
15'-6"	232.5	271.3	310.0	348.8	387.5	426.3	465.0	503.8	542.5	581.3	620.0	658.8	697.5	736.3	775.0	813.8	852.5	891.3	930.0	968.8	1007.5
16'-0"	240.0	280.0	320.0	360.0	400.0	440.0	480.0	520.0	560.0	600.0	640.0	680.0	720.0	760.0	800.0	840.0	880.0	920.0	960.0	1000.0	1040.0
16'-6"	247.5	288.8	330.0	371.3	412.5	453.8	495.0	536.3	577.5	618.8	660.0	701.3	742.5	783.8	825.0	866.3	907.5	948.8	990.0	1031.3	1072.5
17'-0"	255.0	297.5	340.0	382.5	425.0	467.5	510.0	552.5	595.0	637.5	680.0	722.5	765.0	807.5	850.0	892.5	935.0	977.5	1020.0	1062.5	1105.0
17'-6"	262.5	306.3	350.0	393.8	437.5	481.3	525.0	568.8	612.5	656.3	700.0	743.8	787.5	831.3	875.0	918.8	962.5	1006.3	1050.0	1093.8	1137.5
18'-0"	270.0	315.0	360.0	405.0	450.0	495.0	540.0	585.0	630.0	675.0	720.0	765.0	810.0	855.0	900.0	945.0	990.0	1035.0	1080.0	1125.0	1170.0
18'-6"	277.5	323.8	370.0	416.3	462.5	508.8	555.0	601.3	647.5	693.8	740.0	786.3	832.5	878.8	925.0	971.3	1017.5	1063.8	1110.0	1156.3	1202.5
19'-0"	285.0	332.5	380.0	427.5	475.0	522.5	570.0	617.5	665.0	712.5	760.0	807.5	855.0	902.5	950.0	997.5	1045.0	1092.5	1140.0	1187.5	1235.0
19'-6"	292.5	341.3	390.0	438.8	487.5	536.3	585.0	633.8	682.5	731.3	780.0	828.8	877.5	926.3	975.0	1023.8	1072.5	1121.3	1170.0	1218.8	1267.5
20'-0"	300.0	350.0	400.0	450.0	500.0	550.0	600.0	650.0	700.0	750.0	800.0	850.0	900.0	950.0	1000.0	1050.0	1100.0	1150.0	1200.0	1250.0	1300.0
20'-6"	307.5	358.8	410.0	461.3	512.5	563.8	615.0	666.3	717.5	768.8	820.0	871.3	922.5	973.8	1025.0	1076.3	1127.5	1178.8	1230.0	1281.3	1332.5
21'-0"	315.0	367.5	420.0	472.5	525.0	577.5	630.0	682.5	735.0	787.5	840.0	892.5	945.0	997.5	1050.0	1102.5	1155.0	1207.5	1260.0	1312.5	1365.0
21'-6"	322.5	376.3	430.0	483.8	537.5	591.3	645.0	698.8	752.5	806.3	860.0	913.8	967.5	1021.3	1075.0	1128.8	1182.5	1236.3	1290.0	1343.8	1397.5
22'-0"	330.0	385.0	440.0	495.0	550.0	605.0	660.0	715.0	770.0	825.0	880.0	935.0	990.0	1045.0	1100.0	1155.0	1210.0	1265.0	1320.0	1375.0	1430.0
22'-6"	337.5	393.8	450.0	506.3	562.5	618.8	675.0	731.3	787.5	843.8	900.0	956.3	1012.5	1068.8	1125.0	1181.3	1237.5	1293.8	1350.0	1406.3	1462.5
23'-0"	345.0	402.5	460.0	517.5	575.0	632.5	690.0	747.5	805.0	862.5	920.0	977.5	1035.0	1092.5	1150.0	1207.5	1265.0	1322.5	1380.0	1437.5	1495.0
23'-6"	352.5	411.3	470.0	528.8	587.5	646.3	705.0	763.8	822.5	881.3	940.0	998.8	1057.5	1116.3	1175.0	1233.8	1292.5	1351.3	1410.0	1468.8	1527.5
24'-0"	360.0	420.0	480.0	540.0	600.0	660.0	720.0	780.0	840.0	900.0	960.0	1020.0	1080.0	1140.0	1200.0	1260.0	1320.0	1380.0	1440.0	1500.0	1560.0
24'-6"	367.5	428.8	490.0	551.3	612.5	673.8	735.0	796.3	857.5	918.8	980.0	1041.3	1102.5	1163.8	1225.0	1286.3	1347.5	1408.8	1470.0	1531.3	1592.5
25'-0"	375.0	437.5	500.0	562.5	625.0	687.5	750.0	812.5	875.0	937.5	1000.0	1062.5	1125.0	1187.5	1250.0	1312.5	1375.0	1437.5	1500.0	1562.5	1625.0
25'-6"	382.5	446.3	510.0	573.8	637.5	701.3	765.0	828.8	892.5	956.3	1020.0	1083.8	1147.5	1211.3	1275.0	1338.8	1402.5	1466.3	1530.0	1593.8	1657.5
26'-0"	390.0	455.0	520.0	585.0	650.0	715.0	780.0	845.0	910.0	975.0	1040.0	1105.0	1170.0	1235.0	1300.0	1365.0	1430.0	1495.0	1560.0	1625.0	1690.0
26'-6"	397.5	463.8	530.0	596.3	662.5	728.8	795.0	861.3	927.5	993.8	1060.0	1126.3	1192.5	1258.8	1325.0	1391.3	1457.5	1523.8	1590.0	1656.3	1722.5
27'-0"	405.0	472.5	540.0	607.5	675.0	742.5	810.0	877.5	945.0	1012.5	1080.0	1147.5	1215.0	1282.5	1350.0	1417.5	1485.0	1552.5	1620.0	1687.5	1755.0
27'-6"	412.5	481.3	550.0	618.8	687.5	756.3	825.0	893.8	962.5	1031.3	1100.0	1168.8	1237.5	1306.3	1375.0	1443.8	1512.5	1581.3	1650.0	1718.8	1787.5
28'-0"	420.0	490.0	560.0	630.0	700.0	770.0	840.0	910.0	980.0	1050.0	1120.0	1190.0	1260.0	1330.0	1400.0	1470.0	1540.0	1610.0	1680.0	1750.0	1820.0
28'-6"	427.5	498.8	570.0	641.3	712.5	783.8	855.0	926.3	997.5	1068.8	1140.0	1211.3	1282.5	1353.8	1425.0	1496.3	1567.5	1638.8	1710.0	1781.3	1852.5
29'-0"	435.0	507.5	580.0	652.5	725.0	797.5	870.0	942.5	1015.0	1087.5	1160.0	1232.5	1305.0	1377.5	1450.0	1522.5	1				

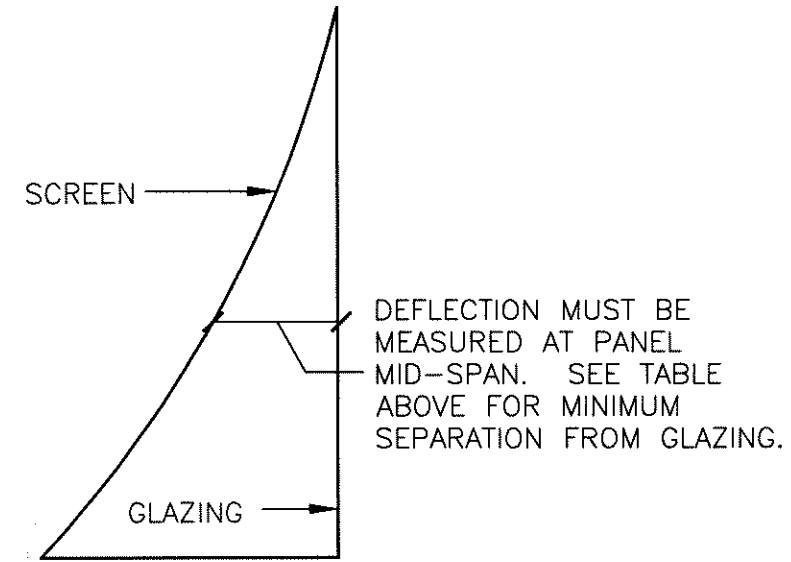
**TABLE 3**

**MINIMUM SEPARATION FROM GLAZING VALUES**

Fabric Span	LOAD (+PSF)																				
	30	35	40	45	50	55	60	65	70	75	80	85	90	95	100	105	110	115	120	125	130
3.00 ft	2.30"	2.37"	2.43"	2.49"	2.54"	2.59"	2.64"	2.68"	2.72"	2.76"	2.80"	2.84"	2.87"	2.91"	2.94"	2.97"	3.00"	3.03"	3.06"	3.09"	3.12"
3.50 ft	2.60"	2.68"	2.76"	2.83"	2.89"	2.95"	3.01"	3.06"	3.12"	3.17"	3.21"	3.26"	3.30"	3.34"	3.38"	3.42"	3.46"	3.50"	3.53"	3.57"	3.60"
4.00 ft	2.91"	3.01"	3.10"	3.18"	3.26"	3.33"	3.40"	3.47"	3.53"	3.59"	3.64"	3.70"	3.75"	3.80"	3.85"	3.89"	3.94"	3.98"	4.03"	4.07"	4.11"
4.50 ft	3.23"	3.35"	3.46"	3.55"	3.64"	3.73"	3.81"	3.89"	3.96"	4.03"	4.09"	4.16"	4.22"	4.28"	4.33"	4.39"	4.44"	4.49"	4.54"	4.59"	4.64"
5.00 ft	3.57"	3.70"	3.83"	3.94"	4.04"	4.14"	4.23"	4.32"	4.40"	4.48"	4.56"	4.63"	4.70"	4.77"	4.83"	4.90"	4.96"	5.02"	5.07"	5.13"	5.19"
5.50 ft	3.91"	4.07"	4.21"	4.34"	4.46"	4.57"	4.67"	4.77"	4.87"	4.96"	5.04"	5.12"	5.20"	5.28"	5.35"	5.43"	5.49"	5.56"	5.63"	5.69"	5.75"
6.00 ft	4.27"	4.45"	4.60"	4.75"	4.88"	5.01"	5.12"	5.24"	5.34"	5.44"	5.54"	5.63"	5.72"	5.81"	5.89"	5.97"	6.05"	6.12"	6.20"	6.27"	6.34"
6.50 ft	4.64"	4.83"	5.01"	5.17"	5.32"	5.46"	5.59"	5.71"	5.83"	5.94"	6.05"	6.15"	6.25"	6.35"	6.44"	6.53"	6.62"	6.70"	6.78"	6.86"	6.94"
7.00 ft	5.02"	5.23"	5.43"	5.60"	5.77"	5.92"	6.07"	6.20"	6.33"	6.46"	6.58"	6.69"	6.80"	6.90"	7.01"	7.10"	7.20"	7.29"	7.38"	7.47"	7.55"
7.50 ft	5.41"	5.64"	5.85"	6.05"	6.23"	6.39"	6.55"	6.70"	6.85"	6.98"	7.11"	7.24"	7.36"	7.47"	7.58"	7.69"	7.80"	7.90"	8.00"	8.09"	8.19"
8.00 ft	5.80"	6.06"	6.29"	6.50"	6.70"	6.88"	7.05"	7.22"	7.37"	7.52"	7.66"	7.80"	7.93"	8.05"	8.18"	8.29"	8.41"	8.52"	8.63"	8.73"	8.83"
8.50 ft	6.21"	6.48"	6.73"	6.96"	7.18"	7.37"	7.56"	7.74"	7.91"	8.07"	8.22"	8.37"	8.51"	8.65"	8.78"	8.91"	9.03"	9.15"	9.27"	9.38"	9.49"
9.00 ft	6.62"	6.92"	7.19"	7.43"	7.66"	7.88"	8.08"	8.27"	8.46"	8.63"	8.79"	8.95"	9.11"	9.25"	9.40"	9.53"	9.67"	9.80"	9.92"	10.04"	10.16"
9.50 ft	7.04"	7.36"	7.65"	7.92"	8.16"	8.39"	8.61"	8.82"	9.01"	9.20"	9.38"	9.55"	9.71"	9.87"	10.02"	10.17"	10.32"	10.45"	10.59"	10.72"	10.85"
10.00 ft	7.47"	7.81"	8.12"	8.40"	8.67"	8.92"	9.15"	9.37"	9.58"	9.78"	9.97"	10.15"	10.33"	10.50"	10.66"	10.82"	10.97"	11.12"	11.27"	11.41"	11.55"
10.50 ft	7.90"	8.27"	8.60"	8.90"	9.18"	9.45"	9.70"	9.93"	10.16"	10.37"	10.57"	10.77"	10.96"	11.14"	11.31"	11.48"	11.65"	11.80"	11.96"	12.11"	12.25"
11.00 ft	8.35"	8.73"	9.08"	9.41"	9.71"	9.99"	10.25"	10.50"	10.74"	10.97"	11.19"	11.39"	11.59"	11.79"	11.97"	12.15"	12.33"	12.50"	12.66"	12.82"	12.98"
11.50 ft	8.79"	9.20"	9.58"	9.92"	10.24"	10.54"	10.82"	11.08"	11.34"	11.58"	11.81"	12.03"	12.24"	12.44"	12.64"	12.83"	13.02"	13.20"	13.37"	13.54"	13.71"
12.00 ft	9.25"	9.68"	10.08"	10.44"	10.78"	11.10"	11.39"	11.67"	11.94"	12.20"	12.44"	12.67"	12.90"	13.11"	13.32"	13.52"	13.72"	13.91"	14.09"	14.27"	14.45"
12.50 ft	9.71"	10.17"	10.59"	10.97"	11.33"	11.66"	11.97"	12.27"	12.55"	12.82"	13.08"	13.33"	13.56"	13.79"	14.01"	14.22"	14.43"	14.63"	14.83"	15.02"	15.20"
13.00 ft	10.18"	10.66"	11.10"	11.51"	11.88"	12.23"	12.56"	12.88"	13.17"	13.46"	13.73"	13.99"	14.24"	14.48"	14.71"	14.93"	15.15"	15.36"	15.57"	15.77"	15.96"
13.50 ft	10.65"	11.16"	11.62"	12.05"	12.44"	12.81"	13.16"	13.49"	13.80"	14.10"	14.38"	14.66"	14.92"	15.17"	15.42"	15.65"	15.88"	16.10"	16.32"	16.53"	16.73"
14.00 ft	11.13"	11.67"	12.15"	12.60"	13.01"	13.40"	13.76"	14.11"	14.44"	14.75"	15.05"	15.34"	15.61"	15.88"	16.13"	16.38"	16.62"	16.86"	17.08"	17.30"	17.52"
14.50 ft	11.62"	12.18"	12.68"	13.15"	13.59"	13.99"	14.38"	14.74"	15.08"	15.41"	15.72"	16.02"	16.31"	16.59"	16.86"	17.12"	17.37"	17.61"	17.85"	18.08"	18.31"
15.00 ft	12.11"	12.69"	13.22"	13.71"	14.17"	14.59"	14.99"	15.37"	15.73"	16.07"	16.40"	16.72"	17.02"	17.31"	17.59"	17.86"	18.13"	18.38"	18.63"	18.87"	19.11"
15.50 ft	12.60"	13.22"	13.77"	14.28"	14.76"	15.20"	15.62"	16.01"	16.39"	16.75"	17.09"	17.42"	17.74"	18.04"	18.33"	18.62"	18.89"	19.16"	19.42"	19.67"	19.92"
16.00 ft	13.11"	13.74"	14.32"	14.86"	15.35"	15.82"	16.25"	16.66"	17.06"	17.43"	17.79"	18.13"	18.46"	18.78"	19.08"	19.38"	19.67"	19.95"	20.22"	20.48"	20.74"
16.50 ft	13.67"	14.34"	14.94"	15.50"	16.02"	16.50"	16.96"														
17.00 ft	14.27"	14.97"	15.61"	16.19"	16.73"	17.24"	17.72"														
17.50 ft	14.89"	15.62"	16.28"	16.90"	17.46"	18.00"	18.50"														
18.00 ft	15.52"	16.28"	16.98"	17.62"	18.21"	18.77"	19.29"														
18.50 ft	16.17"	16.97"	17.69"	18.36"	18.98"	19.56"	20.11"														
19.00 ft	16.83"	17.66"	18.42"	19.12"	19.77"	20.37"	20.94"														
19.50 ft	17.51"	18.38"	19.17"	19.90"	20.57"	21.21"	21.80"														
20.00 ft	18.21"	19.11"	19.94"	20.70"	21.40"	22.06"	22.68"														
20.50 ft	18.92"	19.87"	20.72"	21.51"	22.25"	22.93"	23.58"														
21.00 ft	19.65"	20.64"	21.53"	22.35"	23.12"	23.83"	24.50"														
21.50 ft	20.40"	21.43"	22.36"	23.21"	24.01"	24.75"	25.45"														
22.00 ft	21.18"	22.24"	23.21"	24.10"	24.92"	25.69"	26.42"														
22.50 ft	21.97"	23.07"	24.08"	25.00"	25.86"	26.66"	27.42"														
23.00 ft	22.78"	23.93"	24.97"	25.93"	26.83"	27.66"	28.44"														
23.50 ft	23.62"	24.81"	25.90"	26.89"	27.82"	28.68"	29.50"														
24.00 ft	24.48"	25.72"	26.84"	27.88"	28.84"	29.74"	30.58"														
24.50 ft	25.36"	26.65"	27.82"	28.89"	29.89"	30.82"	31.70"														
25.00 ft	26.28"	27.61"	28.82"	29.93"	30.97"	31.94"	32.85"														
25.50 ft	27.22"	28.60"	29.85"	31.01"	32.08"	33.09"	34.03"														
26.00 ft	28.19"	29.62"	30.92"	32.12"	33.23"	34.27"	35.25"														
26.50 ft	29.19"	30.67"	32.02"	33.26"	34.42"	35.50"	36.51"														
27.00 ft	30.22"	31.76"	33.16"	34.45"	35.64"	36.76"	37.82"														
27.50 ft	31.29"	32.89"	34.34"	35.67"	36.91"	38.07"	39.16"														
28.00 ft	32.40"	34.05"	35.56"	36.94"	38.23"	39.43"	40.56"														
28.50 ft	33.55"	35.26"	36.82"	38.26"	39.59"	40.83"	42.01"														
29.00 ft	34.74"	36.52"	38.14"	39.62"	41.00"	42.30"	43.51"														
29.50 ft	35.98"	37.83"	39.50"	41.04"	42.48"	43.81"	45.07"														
30.00 ft	37.28"	39.19"	40.93"	42.52"	44.01"	45.40"	46.70"														



**DEFLECTION DIAGRAM**



**DEFLECTION DIAGRAM**

FRANK L. BENNARDO, P.E.  
 REGISTERED PROFESSIONAL ENGINEER  
 10/20/2017  
 FRANK L. BENNARDO, P.E.  
 46549  
 STATE OF FLORIDA  
 PROFESSIONAL ENGINEERING  
 ENGINEERING EXPRESS, INC.  
 CORPORATE OFFICE:  
 160 SW 12TH AVE, SUITE 105  
 DEERFIELD BEACH, FL 33442  
 P: (954) 354-0660 F: (954) 354-0443  
 E: HELLO@ENGINEERINGEXPRESS.COM  
 ENGINEERINGEXPRESS.COM  
 CERT OF AUTH #9885

**STORM SMART INDUSTRIES, INC.**  
 6182 IDLEWILD STREET  
 FORT MYERS, FL  
 (239) 938-1000  
 STORM CATCHER WIND ABATEMENT SYSTEM FL11291.2 HVHZ

DATE	10/18/17
DRWN	CHKO
CHKD	FLB
IRVN	
IRWN	
REMARKS	INIT ISSUE

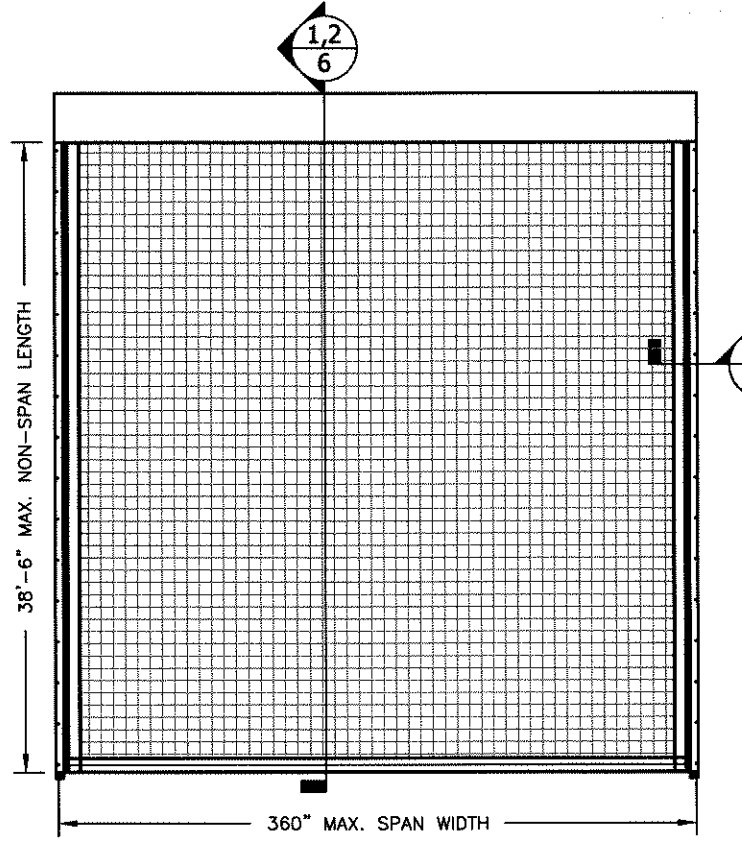
THIS DOCUMENT IS THE PROPERTY OF ENGINEERING EXPRESS, AND SHALL NOT BE REPRODUCED IN WHOLE OR PART WITHOUT WRITTEN CONSENT OF ENGINEERING EXPRESS. ALTERATIONS, ADDITIONS, OR OTHER MARKINGS TO THIS DOCUMENT ARE NOT PERMITTED AND INVALIDATE OUR CERTIFICATION.

16-3080  
 SCALE: NTS UNLESS NOTED  
 4 OF 36

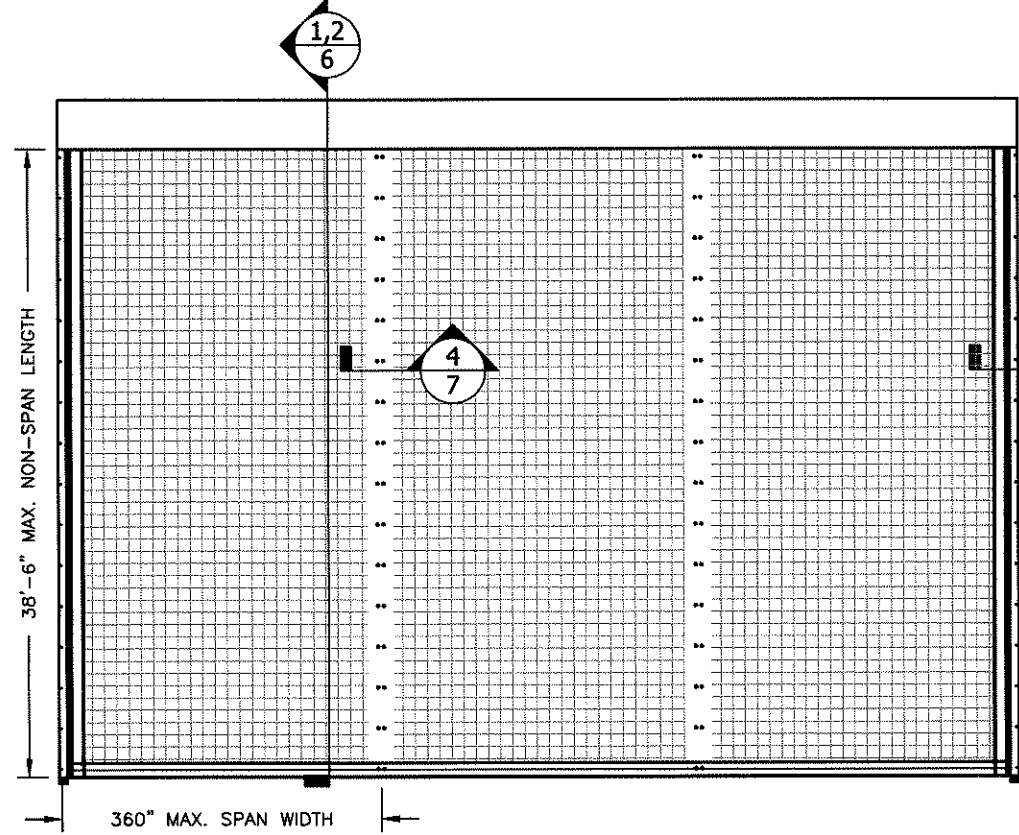
V:\Projects\16-3080 Storm Catcher Wind Abatement System FL11291-R4\WIP\2017\FBC Update\16-3080-Dwg-11291.2.dwg  
 zachr  
 10/20/2017 - 3:09pm



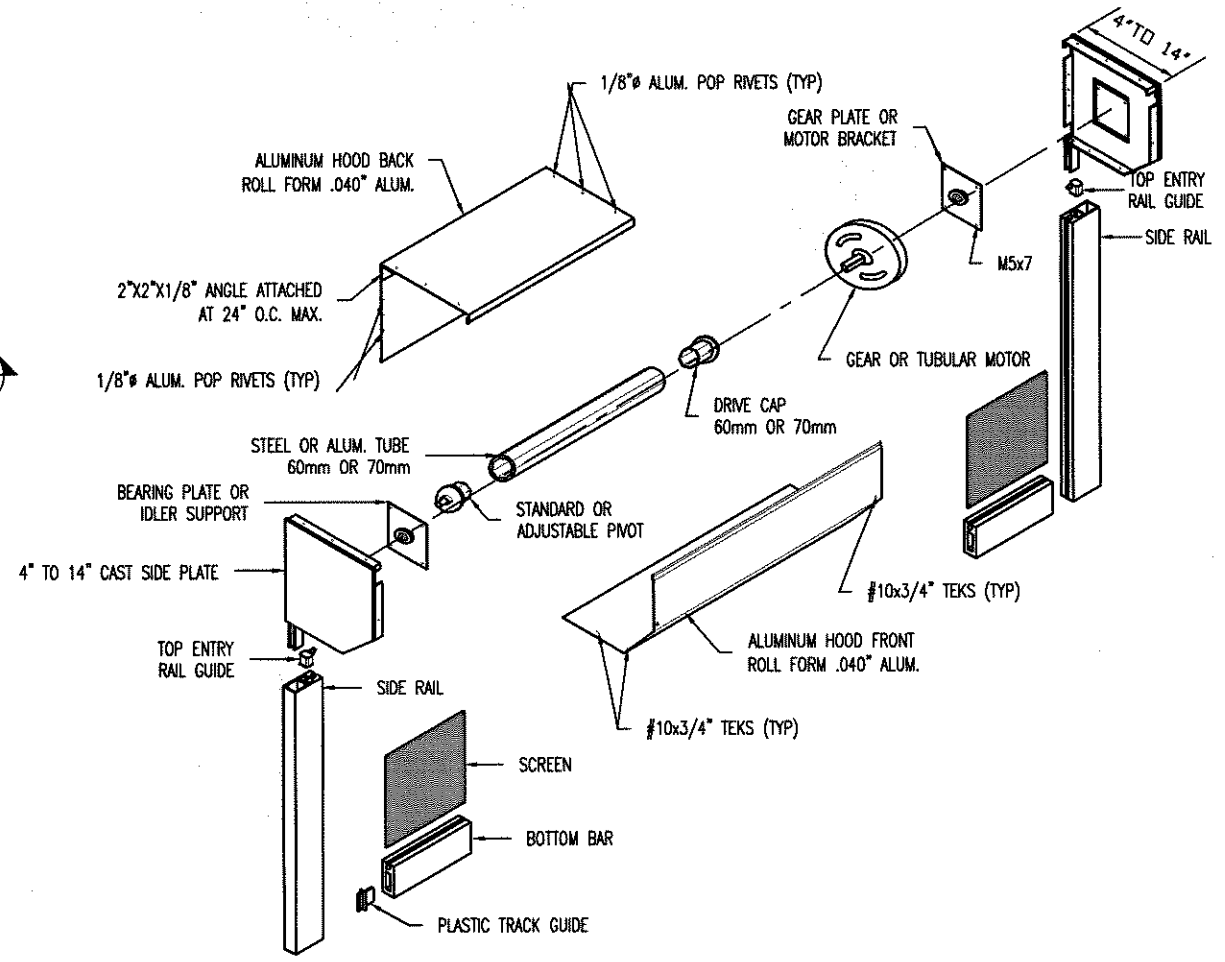
10/20/2017 - 3:09pm Zachr V:\Projects\16-3080 Storm Catcher Wind Abatement System FL11291-R4\WP12017 FBC Update\16-3080e-Dwg-11291.2.dwg



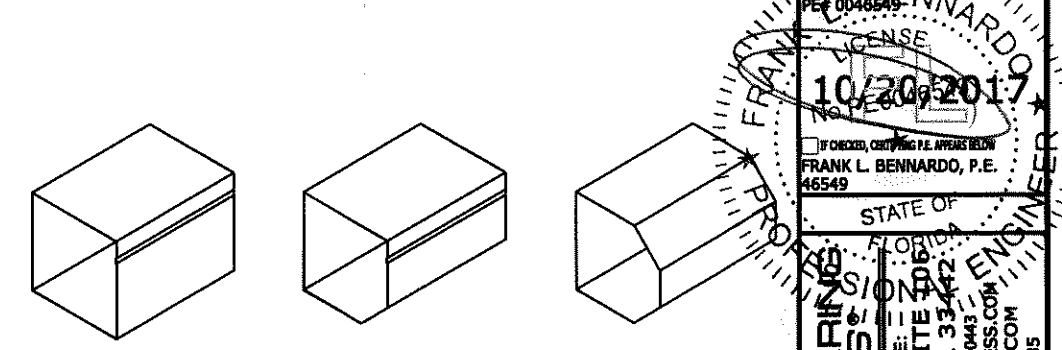
**ROLL-UP SCREEN SINGLE PANEL - ELEVATION**  
TYPICAL SINGLE SPAN UP TO 24'-0" INSTALLATION - N.T.S.



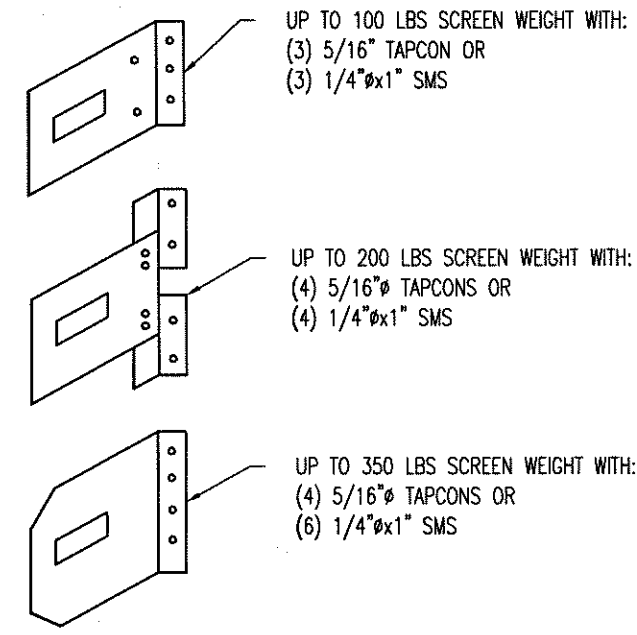
**ROLL-UP SCREEN MULTIPLE UNIT - ELEVATION**  
APPROVED INTERMEDIATE MULLION REQUIRED FOR INSTALLATION - N.T.S.



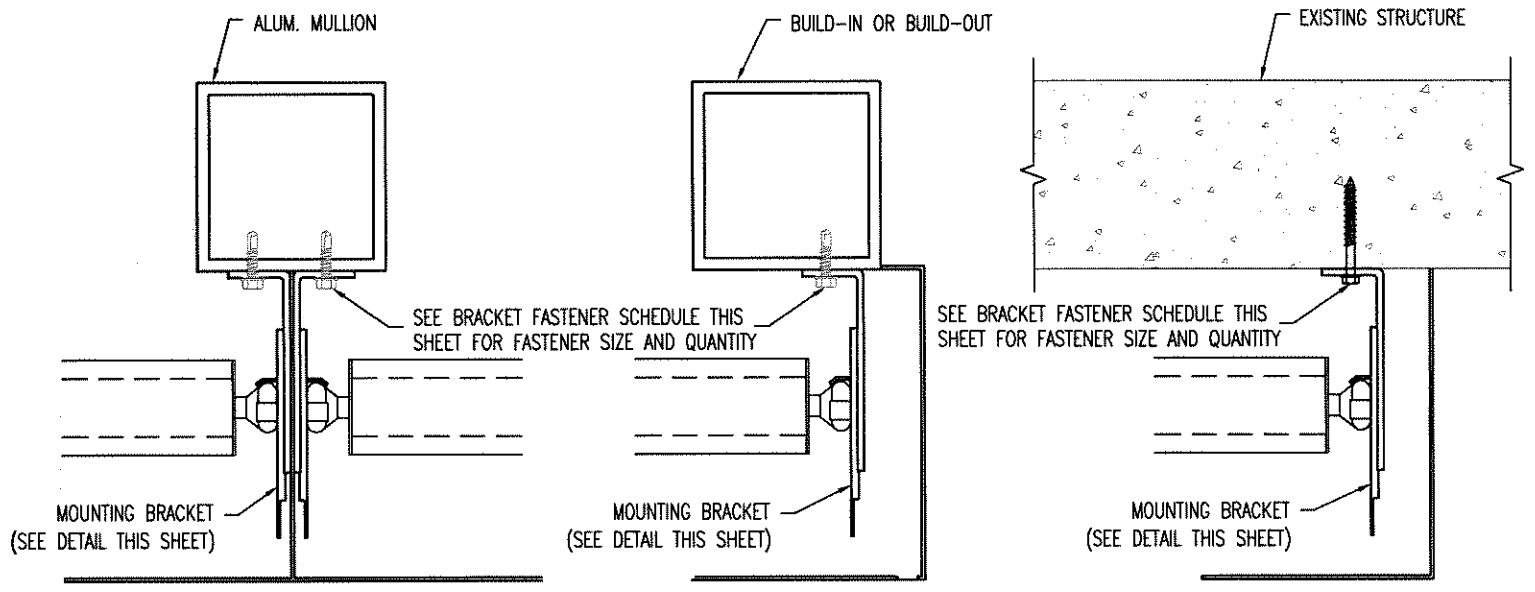
**ROLL-UP COMPONENTS AND END CAP ASSEMBLY DETAIL**  
ROLL-UP SCREEN INSTALLATION - N.T.S.



**ALUMINUM BOX COVER STYLES**  
ROLL-UP SCREEN INSTALLATION - SCALE: N.T.S.



**MOUNTING BRACKET SHAPES**  
ROLL-UP SCREEN INSTALLATIONS - N.T.S.



**MOUNTING BRACKET INSTALLATION**  
ROLL-UP SCREEN - N.T.S.

FRANK L. BERNARDO, P.E.  
PE# 0046549

10/20/2017

STATE OF FLORIDA  
FRANK L. BERNARDO, P.E.  
46549

ENGINEERING EXPRESS, INC.  
CORPORATE OFFICE:  
160 SW 12th AVE, SUITE 106  
DEERFIELD BEACH, FL 33442  
P: (954) 354-0660 F: (954) 354-0443  
E: HELLO@ENGINEERINGEXPRESS.COM  
ENGINEERINGEXPRESS.COM  
CERT OF AUTH #9885

**STORM SMART INDUSTRIES, INC.**  
6182 IDELWILD STREET  
FORT MYERS, FL  
(239) 938-1000

STORM CATCHER WIND ABATEMENT SYSTEM FL11291.2 HVHZ

DRWN	CHKD	DATE
RWN	FLB	10/18/17

REMARKS  
INIT ISSUE

THIS DOCUMENT IS THE PROPERTY OF ENGINEERING EXPRESS AND SHALL NOT BE REPRODUCED IN WHOLE OR PART WITHOUT WRITTEN CONSENT OF ENGINEERING EXPRESS. ALTERATIONS, ADDITIONS, OR OTHER MARKINGS TO THIS DOCUMENT ARE NOT PERMITTED AND INVALIDATE OUR CERTIFICATION.

COPYRIGHT ENGINEERING EXPRESS®

**16-3080**

SCALE: N.T.S. UNLESS NOTED

OF 36

5

10/20/2017 - 3:09pm Zachr V:\Projects\16-3080 Storm Catcher Wind Abatement System FL11291-R41WP\2017 FBC Update\16-3080e-Dwg-11291.2.dwg

INSTALL THE APPROPRIATE ANCHORS TO THE GIVEN SUBSTRATE @ 24" O.C. (TYP.). HEAD BOX ANCHORS ARE NOT REQUIRED FOR STRUCTURAL SUPPORT OF SYSTEM AND THEREFORE DO NOT FOLLOW THE ANCHOR TABLE SCHEDULE.

2"x2"x1/8" CONTINUOUS ALUMINUM ANGLE

INSTALL APPROPRIATE ANCHORS AS NEEDED TO PREVENT HOUSING FROM SAGGING.

1/8" TUBE BUILD-OUT HEADER SEE SHEET 3 FOR TUBE OPTIONS

1/4" SELF-TAPPING SMS 3" FROM EACH END AND 24" O.C. (TYP)

FABRIC ATTACHED PER MANUFACTURER'S SPECIFICATIONS.

SUITABLE SUBSTRATES INCLUDE CONCRETE, GROUT FILLED BLOCK ALUMINUM AND WOOD.

INSTALL THE APPROPRIATE ANCHORS TO THE GIVEN SUBSTRATE PER THE ANCHOR TABLES.

FABRIC ATTACHED PER MANUFACTURER'S SPECIFICATIONS.

SUITABLE SUBSTRATES INCLUDE CONCRETE, GROUT FILLED BLOCK AND WOOD.

HOUSING SIZE VARIES WITH ROLL DIAMETER. ROLLING MECHANISM MAY ALSO BE HIDDEN OR MOUNTED IN EAVE OR SOFFIT

SIDE TRACK GUIDE LOCATION

HOUSING SIZE VARIES WITH ROLL DIAMETER. ROLLING MECHANISM MAY ALSO BE HIDDEN OR MOUNTED IN EAVE OR SOFFIT

SIDE TRACK GUIDE LOCATION

ROLL-UP FABRIC OR SCREEN

SIDE RAIL ATTACHED PER APPROPRIATE ANCHOR TABLE.

VERTICAL 3" x (VARYING DEPTH) BUILD-OUT FASTENED PER ANCHOR SCHEDULE. OFFSET BUILD-OUT ANCHOR LOCATIONS 3" TO ALLOW SIDE RAIL TO BE MOUNTED PER THE PUBLISHED ANCHOR SCHEDULE.

ROLL-UP SCREEN BOTTOM BAR WITH OPTIONAL SEAL INSERT.

1/8" THICK ALUM. ANGLE SILL (OPTIONAL)

1/4" SELF-TAPPING SMS @ 24" O.C. (TYP)

SUITABLE SUBSTRATES INCLUDE CONCRETE, GROUT FILLED BLOCK ALUMINUM AND WOOD

ROLL-UP SCREEN

SIDE RAIL ATTACHED PER APPROPRIATE ANCHOR TABLE.

SCREEN BOTTOM BAR BOTTOM BAR SEAL

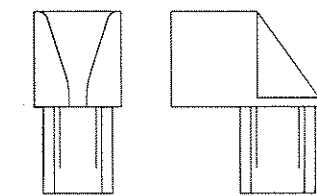
∠3"x3"x1/8" ALUM. (TYP)

1/4" SELF-TAPPING SMS (2) PER LEG (TYP) @ TOP & BOTTOM

INSTALL THE APPROPRIATE ANCHORS TO THE GIVEN SUBSTRATE PER THE ANCHOR TABLES.

CONCRETE SHOWN, OTHER SUITABLE SUBSTRATES INCLUDE GROUT FILLED BLOCK, ALUMINUM AND WOOD.

1/8" THICK ALUM. TUBE BUILD-OUT SILL. SEE SHEET 7 FOR TUBE OPTIONS.

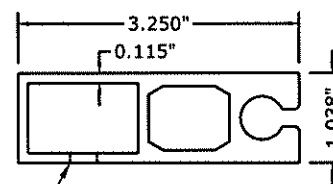


8 SIDE RAIL GUIDE (PLASTIC) SECTION VIEW N.T.S.

1 ROLL-UP HURRICANE SCREEN SECTION VIEW N.T.S.

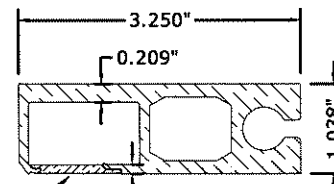
2 BUILD-OUT OPTION ROLL-UP HURRICANE SCREEN SECTION VIEW N.T.S.

HARDWARE ACCESS HOLE COVERED WITH SNAP IN BUTTON (TYP)

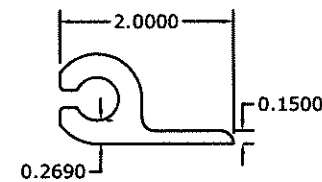


3 SIDE RAIL WITH SNAP IN BUTTONS SECTION VIEW N.T.S. 6063-T6

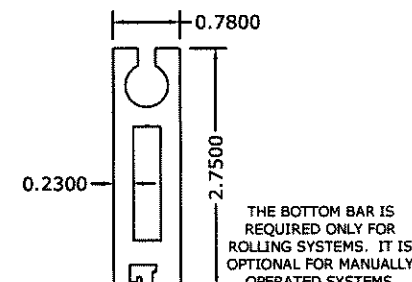
HARDWARE ACCESS CLOSED WITH SNAP IN COVER (TYP)



4 SIDE RAIL WITH SNAP IN COVER SECTION VIEW N.T.S. 6063-T6

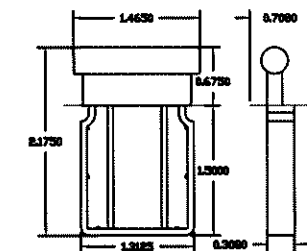


5 SLIDE TRACK SECTION VIEW N.T.S. 6063-T6



6 ROLL-UP BOTTOM BAR SECTION VIEW N.T.S. 6063-T6

THE BOTTOM BAR IS REQUIRED ONLY FOR ROLLING SYSTEMS. IT IS OPTIONAL FOR MANUALLY OPERATED SYSTEMS.



7 BOTTOM BAR TRACK GUIDE (PLASTIC) SECTION VIEW N.T.S.

FRANK L. BERNARDO, P.E.  
 LICENSE NO. PE00046549  
 10/20/2017  
 STATE OF FLORIDA  
 PROFESSIONAL ENGINEER

**ENGINEERING EXPRESS**  
 CORPORATE OFFICE:  
 160 SW 12th AVE, SUITE 106  
 DEERFIELD BEACH, FL 33442  
 P: (954) 354-0660 F: (954) 354-0443  
 E: HELLO@ENGINEERINGEXPRESS.COM  
 ENGINEERINGEXPRESS.COM  
 CERT OF AUTH #9885

**STORM SMART INDUSTRIES, INC.**  
 6182 IDLEWILD STREET  
 FORT MYERS, FL  
 (239) 938-1000  
 STORM CATCHER WIND ABATEMENT SYSTEM FL11291.2 HVHZ  
 FL

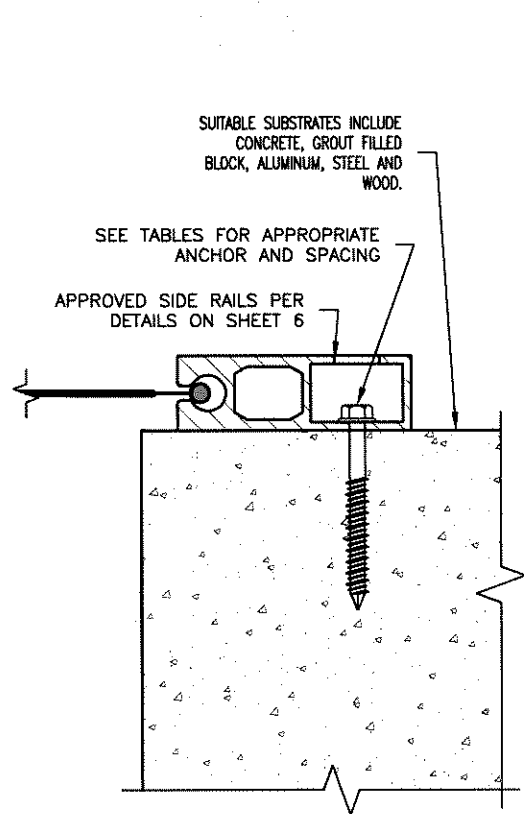
DATE	DRWN	CHKD	DATE
10/18/17			

REMARKS  
 INT ISSUE

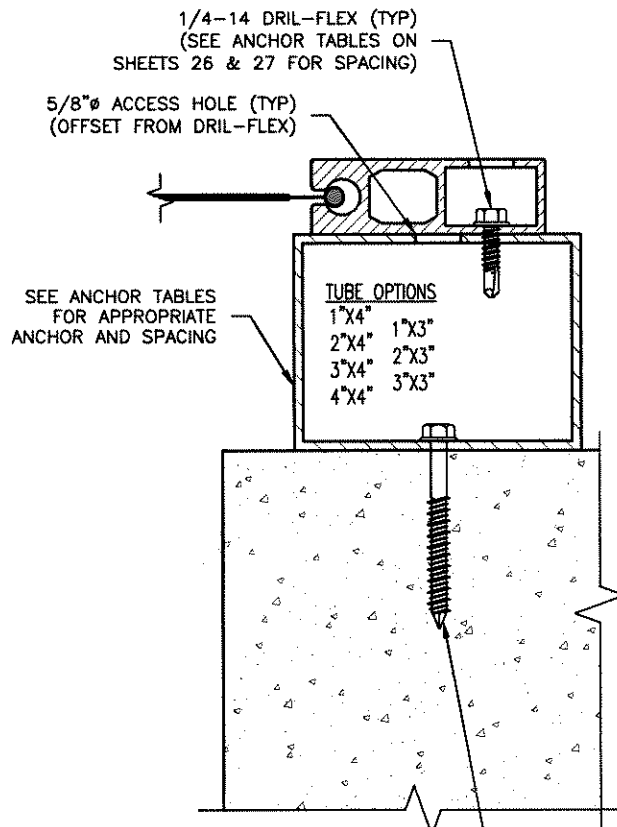
THIS DOCUMENT IS THE PROPERTY OF ENGINEERING EXPRESS AND SHALL NOT BE REPRODUCED OR TRANSMITTED IN ANY FORM OR BY ANY MEANS, ELECTRONIC OR MECHANICAL, WITHOUT THE WRITTEN CONSENT OF ENGINEERING EXPRESS. ALTERNATING NOTATIONS OR OTHER MARKINGS TO THIS DOCUMENT ARE NOT PERMITTED AND INVALIDATE OUR CERTIFICATION.

COPYRIGHT ENGINEERING EXPRESS ©  
**16-3080**  
 SCALE: NTS UNLESS NOTED  
 OF 36  
 6

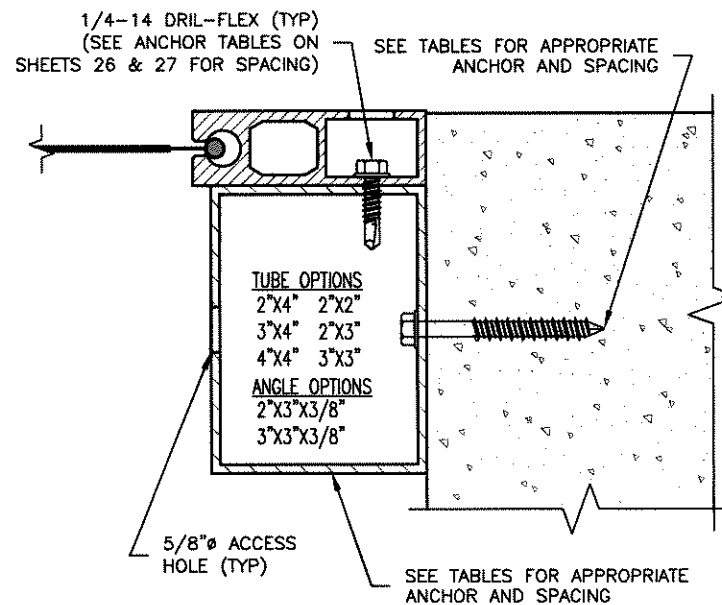
10/20/2017 - 3:09pm zacr V:\Projects\16-3080 Storm Catcher Wind Abatement System FL11291-R41WP\2017.FBC Update\16-3080e-Dwg-11291.2.dwg



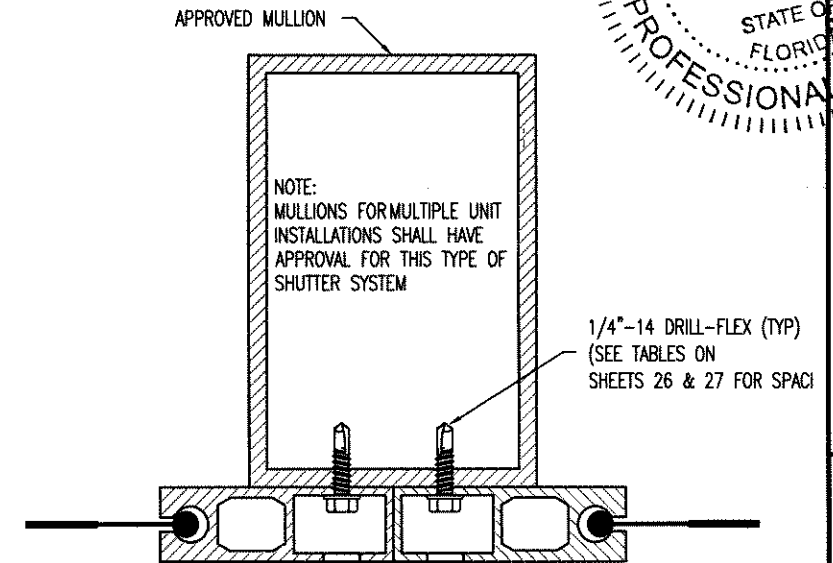
**1 WALL MOUNT - SECTION**  
TYPICAL SIDE RAIL INSTALLATION (OPTION 4) - N.T.S.



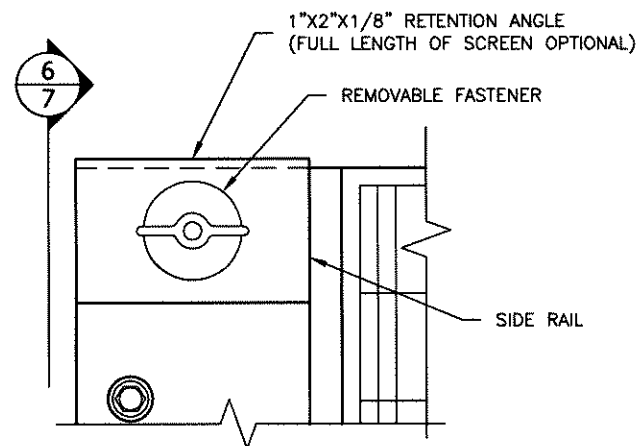
**2 BUILD-OUT MOUNT - SECTION**  
SIDE RAIL INSTALLATION (OPTION 6) - N.T.S.



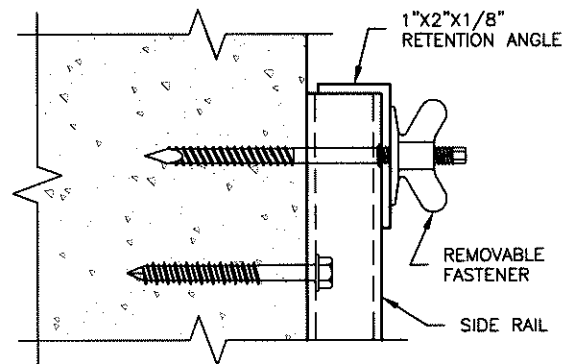
**3 BUILD-IN MOUNT - SECTION**  
SIDE RAIL INSTALLATION (OPTION 5) - N.T.S.



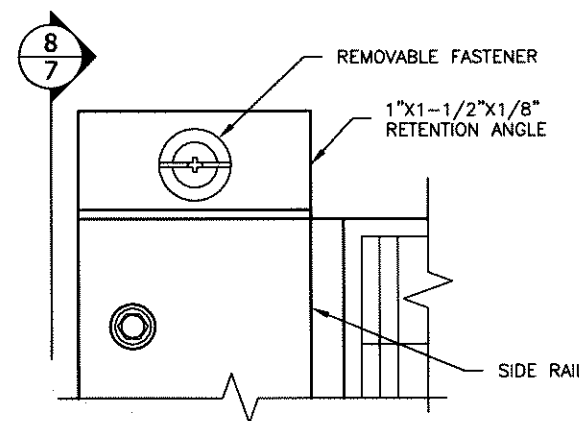
**4 MULLION MOUNT - SECTION**  
ROLL-UP SCREEN INSTALLATION (OPTION 4) - N.T.S.



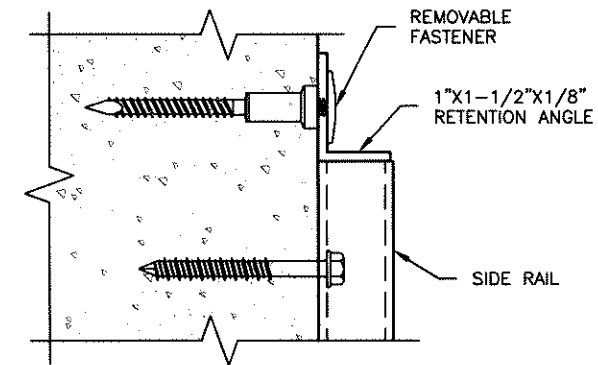
**5 RETENTION ANGLE - DETAIL**  
SIDE RAIL INSTALLATION (OPTION 1) - N.T.S.



**6 RETENTION ANGLE - SECTION**  
SIDE RAIL INSTALLATION (OPTION 1) - N.T.S.



**7 RETENTION ANGLE - DETAIL**  
SIDE RAIL INSTALLATION (OPTION 1) - N.T.S.



**8 RETENTION ANGLE - SECTION**  
SIDE RAIL INSTALLATION (OPTION 2) - N.T.S.

NOTE: THE RETENTION ANGLES ARE NOT REQUIRED WHERE THE SLIDE SCREEN TRACK ENDS ARE AGAINST THE EXISTING STRUCTURE.

NOTE: THE RETENTION ANGLES ARE NOT REQUIRED WHERE THE SLIDE SCREEN TRACK ENDS ARE AGAINST THE EXISTING STRUCTURE.

FRANK L. BENNARDO, P.E.  
PE# 0046549  
10/20/2017  
No PE0046549  
STATE OF FLORIDA  
PROFESSIONAL ENGINEER

**ENGINEERING EXPRESS**  
CORPORATE OFFICE:  
160 SW 12th AVE, SUITE 106  
DEERFIELD BEACH, FL 33442  
P: (954) 354-0660 F: (954) 354-0443  
E: HELLO@ENGINEERINGEXPRESS.COM  
ENGINEERINGEXPRESS.COM  
CERT OF AUTH #9885

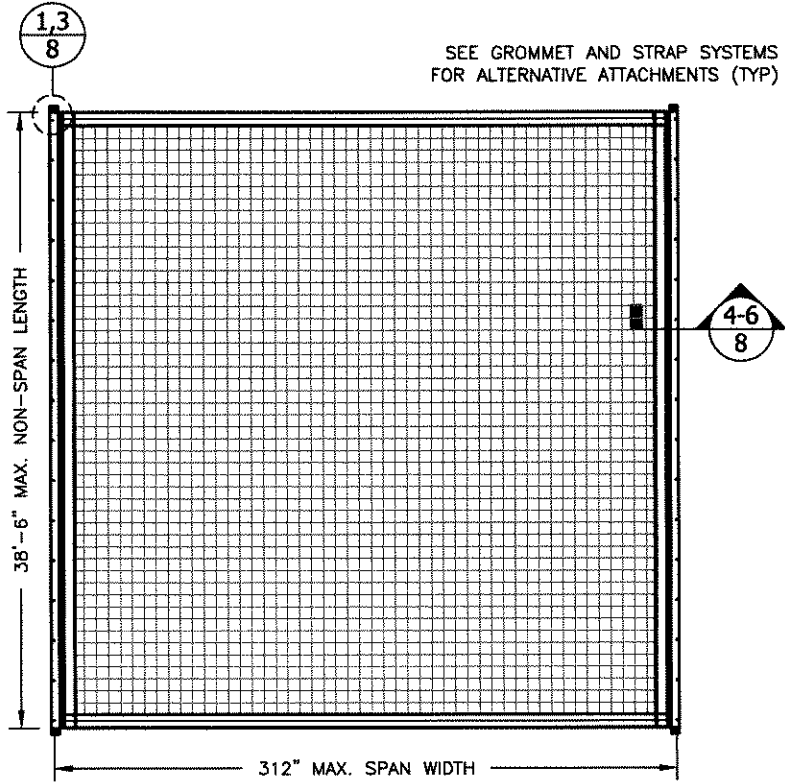
**STORM SMART INDUSTRIES, INC.**  
6182 IDLEWILD STREET  
FORT MYERS, FL  
(239) 938-1000  
STORM CATCHER WIND ABATEMENT SYSTEM FL11291.2 HVHZ  
FL

REMARKS	DATE
INT ISSUE	10/18/17
DRWN	FLB
CHKD	

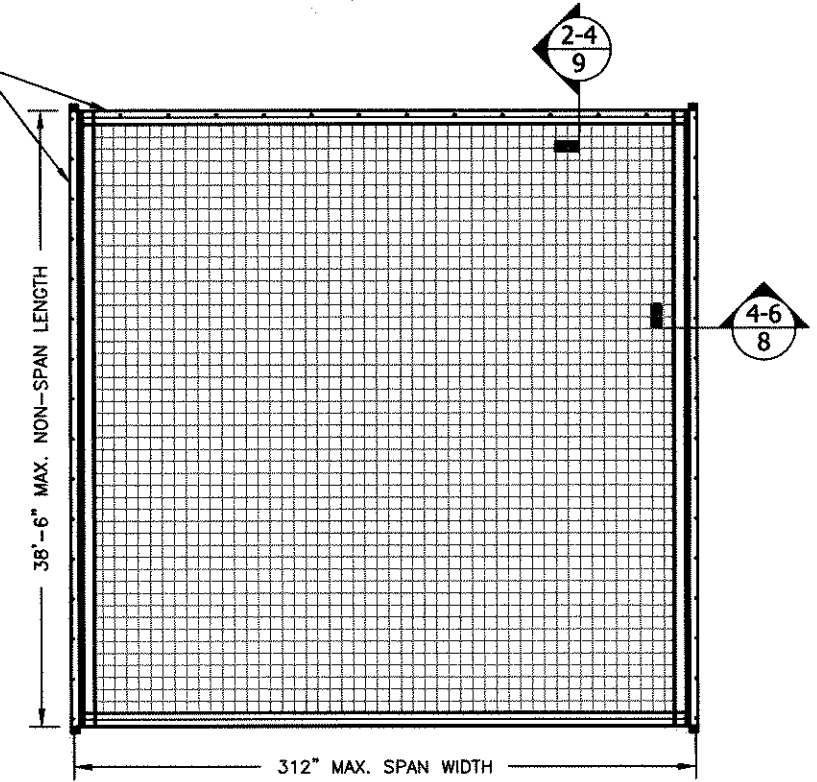
THIS DOCUMENT IS THE PROPERTY OF ENGINEERING EXPRESS AND SHALL NOT BE REPRODUCED IN WHOLE OR PART WITHOUT WRITTEN CONSENT. PERMISSION TO REPRODUCE THIS DOCUMENT ARE NOT PERMITTED AND INVALIDATE OUR CERTIFICATION.

COPYRIGHT ENGINEERING EXPRESS ©  
**16-3080**  
SCALE: NTS UNLESS NOTED  
OF 36  
**7**

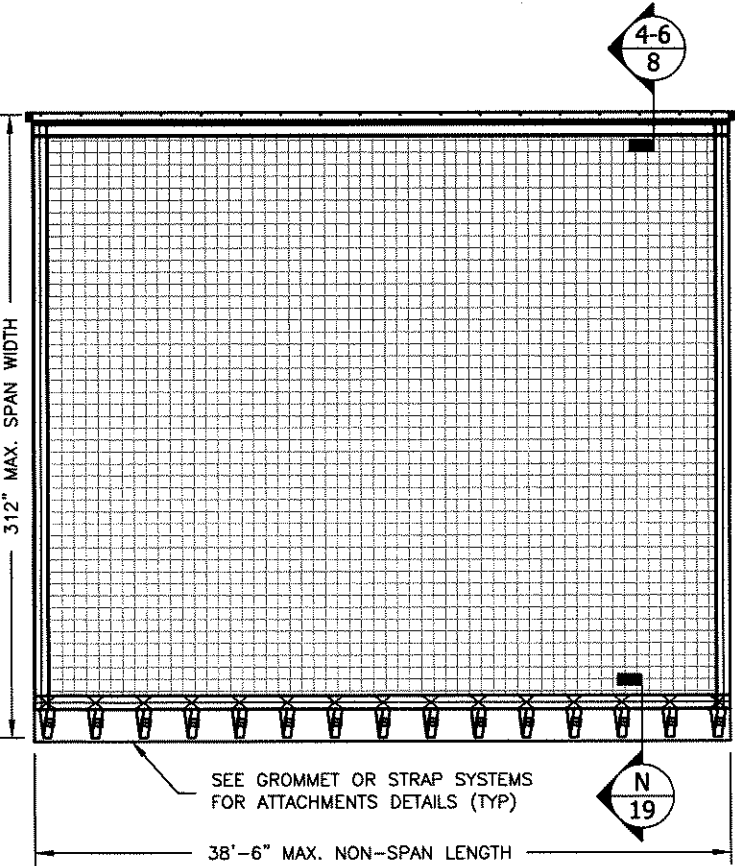
V:\Projects\16-3080 Storm Catcher Wind Abatement System FL 11291-R4\WP2017 FBC Update\16-3080-Dwg-11291.2.dwg  
zachr  
10/20/2017 - 3:09pm



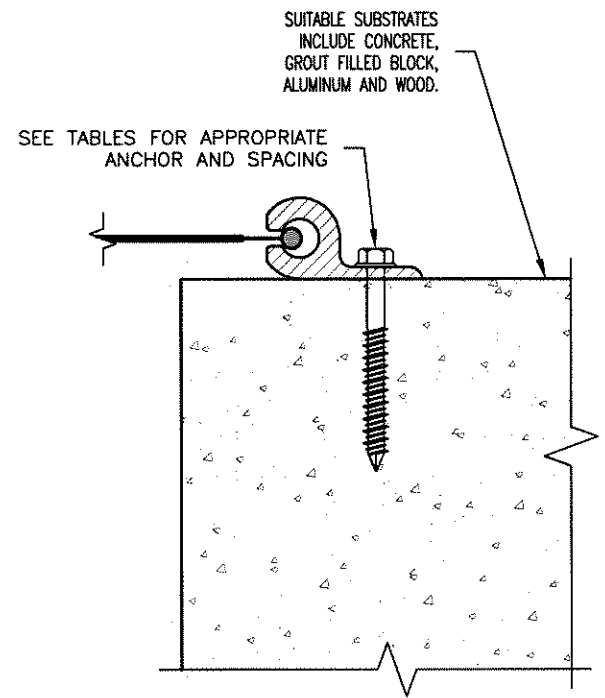
**SLIDE SCREEN SINGLE PANEL - ELEVATION**  
TYPICAL 2 SIDED ATTACHMENT - VERTICAL OR HORIZONTAL INSTALLATION - N.T.S.



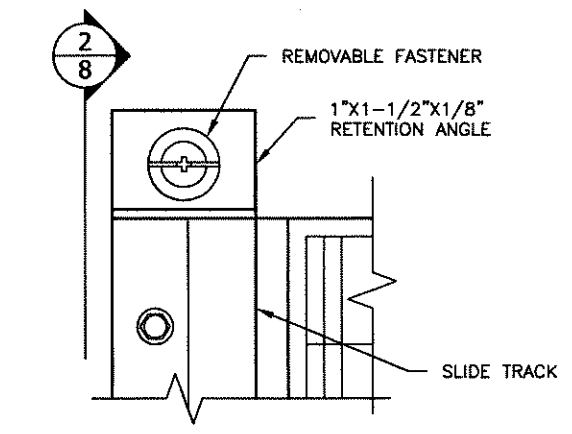
**SLIDE SCREEN SINGLE PANEL - ELEVATION**  
3 OR 4 SIDED ATTACHMENT - VERTICAL OR HORIZONTAL INSTALLATION - SCALE N.T.S.  
NOTE: FOR 4 SIDED ATTACHMENT THE SPAN IS IN THE SHORT DIMENSION BETWEEN FASTENERS.



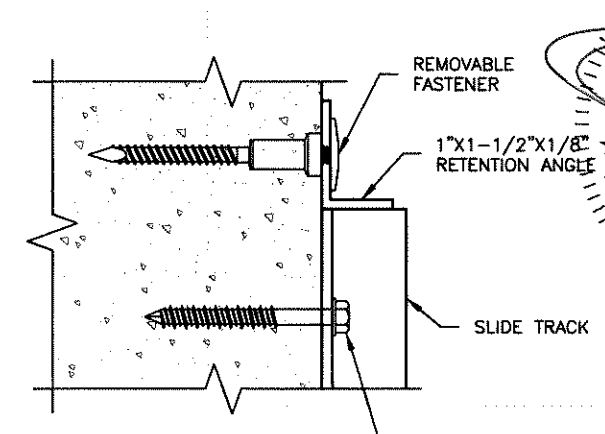
**EASY SCREEN SINGLE PANEL - ELEVATION**  
TYPICAL 2 SIDED ATTACHMENT - VERTICAL OR HORIZONTAL INSTALLATION - N.T.S.



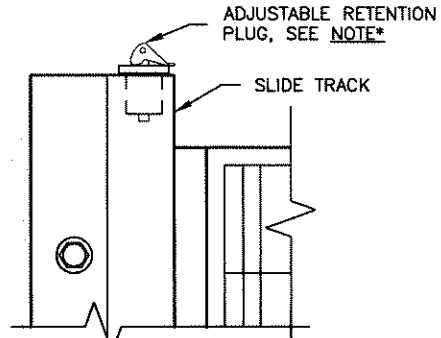
**4 WALL MOUNT - SECTION**  
TYPICAL SLIDE TRACK INSTALLATION (OPTION 1) - N.T.S.



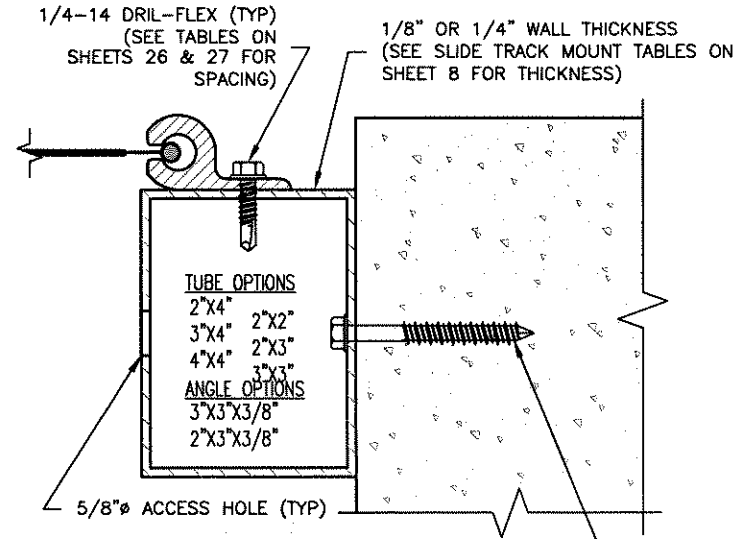
**1 RETENTION ANGLE - DETAIL**  
SLIDE TRACK INSTALLATION (OPTIONAL) - N.T.S.  
NOTE: THE RETENTION ANGLES ARE NOT REQUIRED WHERE THE SLIDE SCREEN TRACK ENDS ARE AGAINST THE EXISTING STRUCTURE.



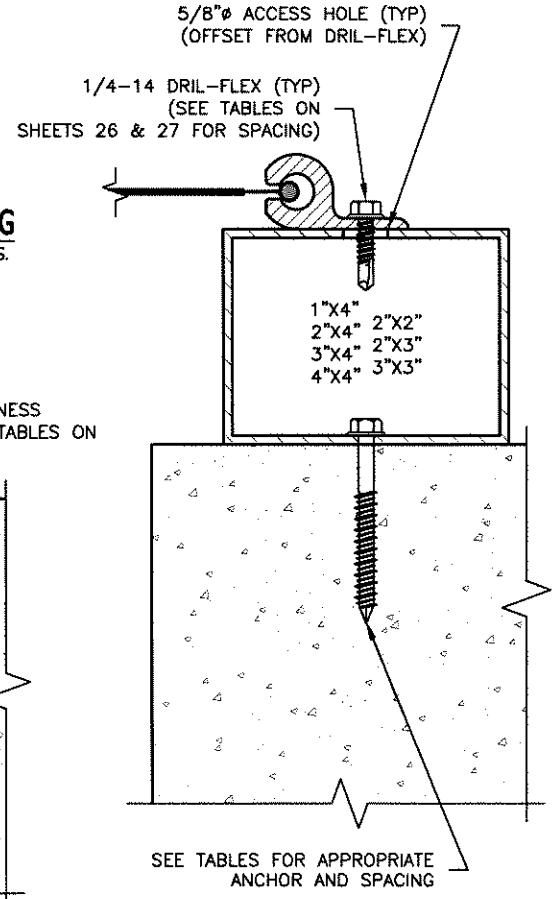
**2 RETENTION ANGLE - SECTION**  
SLIDE TRACK INSTALLATION - N.T.S.



**3 NEOPRENE ADJUSTABLE PLUG W/ BRASS FITTING**  
SLIDE TRACK INSTALLATION (STANDARD) - N.T.S.  
NOTE\*: ANY MECHANICAL OR POSITIVE LOCKING DEVICE MAY BE USED IN LIEU OF THE PLUG SHOWN IN THIS DETAIL AT TOP OR BOTTOM TO HOLD FABRIC INSIDE TRACK



**5 BUILD-IN MOUNT - SECTION**  
SLIDE TRACK INSTALLATION (OPTION 2) - N.T.S.



**6 BUILD-OUT MOUNT - SECTION**  
SLIDE TRACK INSTALLATION (OPTION 3) - N.T.S.

FRANK L. BENNARDO, P.E.  
PE# 0046549  
10/20/2017  
FLORIDA PROFESSIONAL ENGINEER

**ENGINEERING EXPRESS**  
CORPORATE OFFICE:  
160 SW 12th AVE, SUITE 1206  
DEERFIELD BEACH, FL 33442  
P: (954) 354-0660 F: (954) 354-0443  
E: HELLO@ENGINEERINGEXPRESS.COM  
ENGINEERINGEXPRESS.COM  
CERT OF AUTH #9885

**STORM SMART INDUSTRIES, INC.**  
6182 IDLEWILD STREET  
FORT MYERS, FL  
(239) 938-1000  
STORM CATCHER WIND ABATEMENT SYSTEM FL11291.2 HVHZ

REMARKS	INT ISSUE	DRWN	CHKD	DATE
				10/18/17

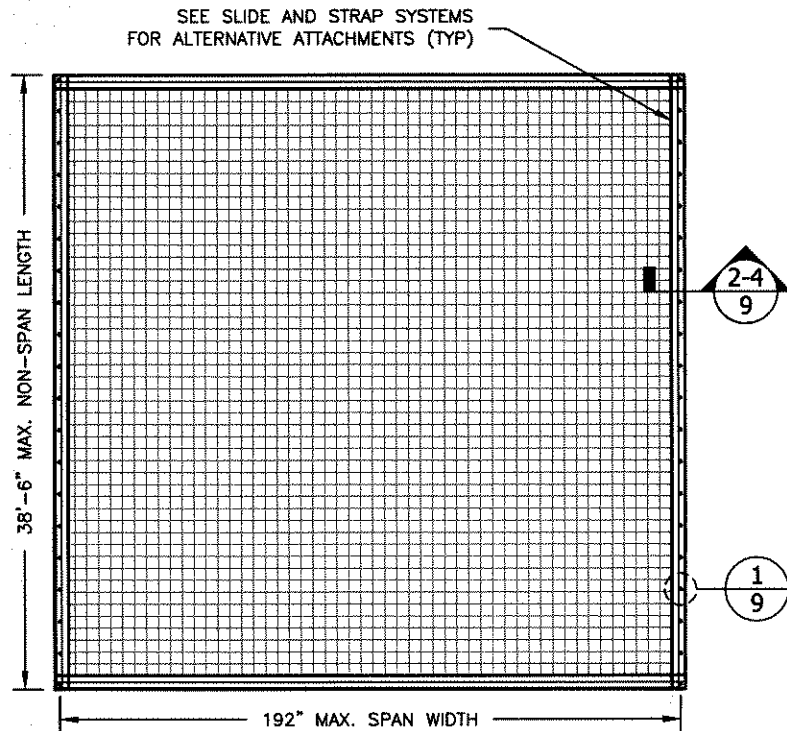
THIS DOCUMENT IS THE PROPERTY OF ENGINEERING EXPRESS, AND SHALL NOT BE REPRODUCED IN WHOLE OR PART WITHOUT WRITTEN CONSENT OF ENGINEERING EXPRESS. REVISIONS AND/OR CHANGES TO THIS DOCUMENT ARE NOT PERMITTED AND INVALIDATE OUR CERTIFICATION.

COPYRIGHT ENGINEERING EXPRESS ©

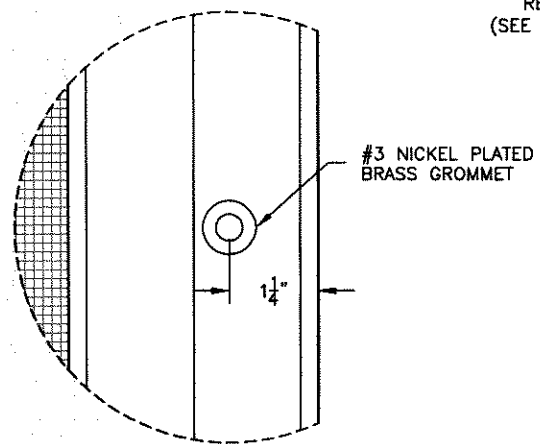
16-3080  
SCALE: NTS UNLESS NOTED  
36



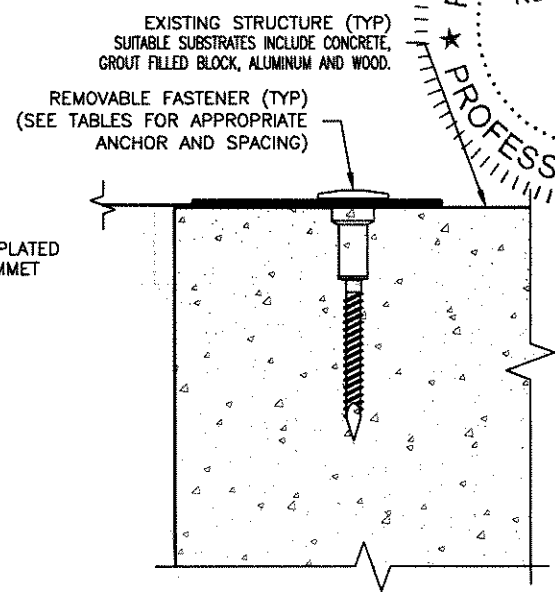
V:\Projects\16-3080 Storm Catcher Wind Abatement System FL11291-R4\WP\2017 FBC Update\16-3080e-Dwg-11291.2.dwg  
 10/20/2017 - 3:10pm zachr



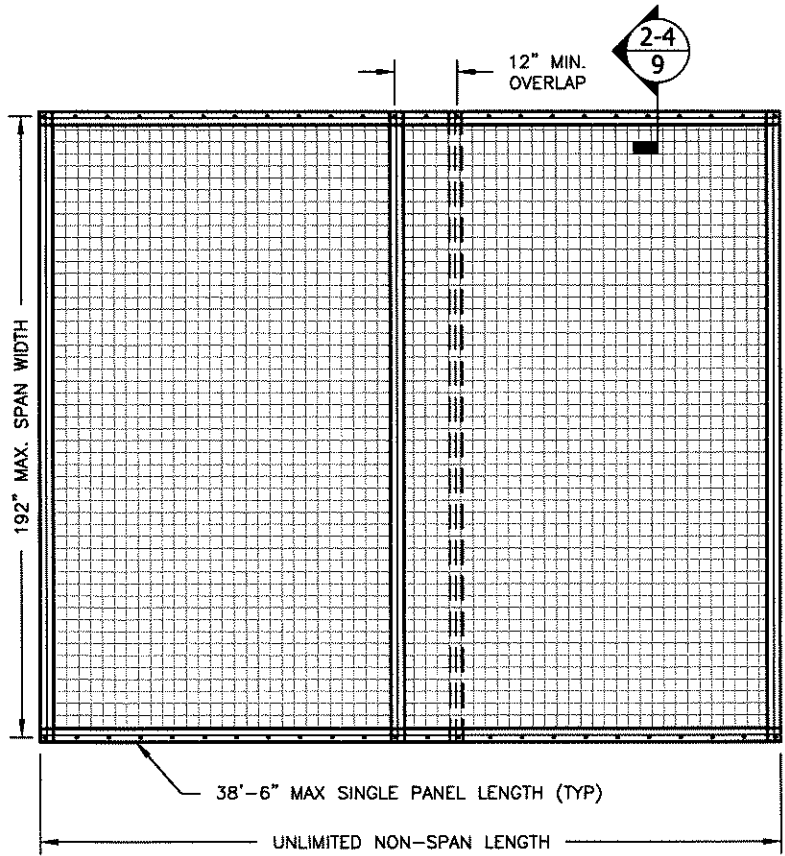
**GROMMET SCREEN SINGLE PANEL - ELEVATION**  
 TYPICAL 2 SIDED ATTACHMENT - VERTICAL OR HORIZONTAL INSTALLATION - N.T.S.



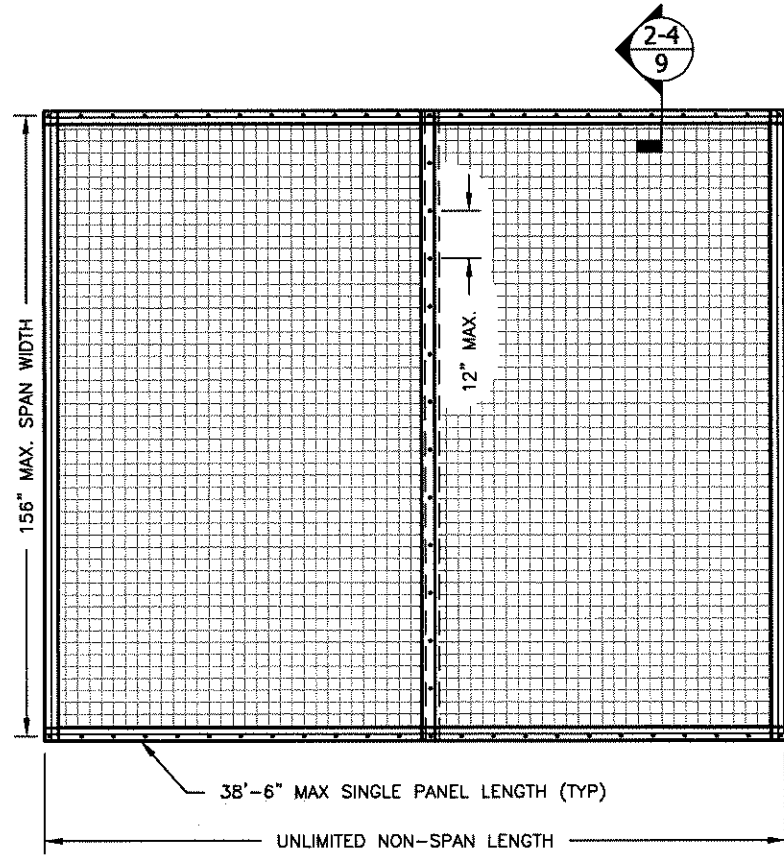
**1 GROMMET - DETAIL**  
 SCALE: 3/8"=1"



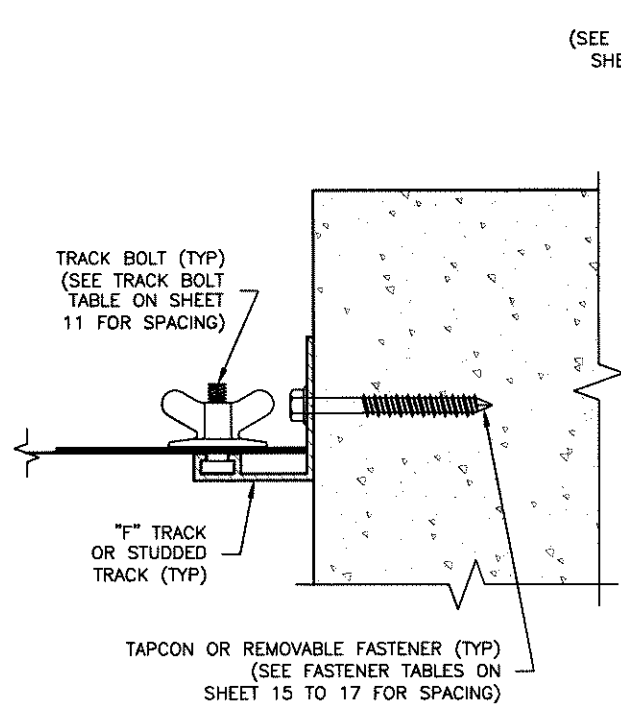
**2 WALL MOUNT - SECTION**  
 TYPICAL INSTALLATION (OPTION 1) - N.T.S.



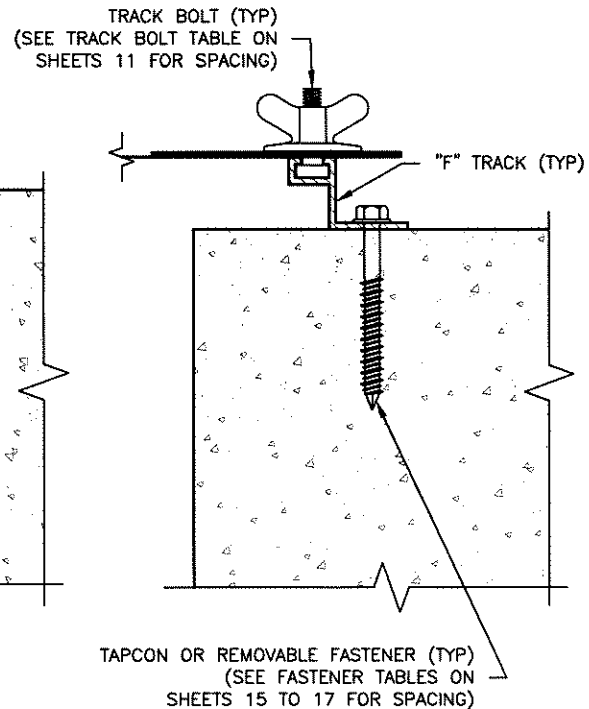
**GROMMET SCREEN MULTIPLE PANEL - ELEVATION**  
 LAPPED SCREEN - VERTICAL OR HORIZONTAL INSTALLATION - N.T.S.



**GROMMET SCREEN MULTIPLE PANEL - ELEVATION**  
 OPTIONAL COLUMN ATTACHMENT - VERTICAL OR HORIZONTAL INSTALLATION - N.T.S.



**3 BUILD-IN MOUNT - SECTION**  
 ANGLED "F" OR STUDDED INSTALLATION (OPTION 2) - N.T.S.



**4 "F" TRACK MOUNT - SECTION**  
 STANDARD OR BUILD-OUT INSTALLATION (OPTION 3) - N.T.S.

FRANK L. BERNARDO, P.E.  
 LICENSE NO. 16320  
 10/20/2017  
 PROFESSIONAL ENGINEER  
 STATE OF FLORIDA  
**ENGINEERING EXPRESS**  
 CORPORATE OFFICE:  
 160 SW 12th AVE, SUITE 1000  
 DEERFIELD BEACH, FL 33442  
 P: (954) 354-0660 F: (954) 354-0443  
 E: HELLO@ENGINEERINGEXPRESS.COM  
 ENGINEERINGEXPRESS.COM  
 CERT OF AUTH #9885

**STORM SMART INDUSTRIES, INC.**  
 6182 IDLEWILD STREET  
 FORT MYERS, FL  
 (239) 938-1000  
 STORM CATCHER WIND ABATEMENT SYSTEM FL11291.2 HVHZ  
 FL

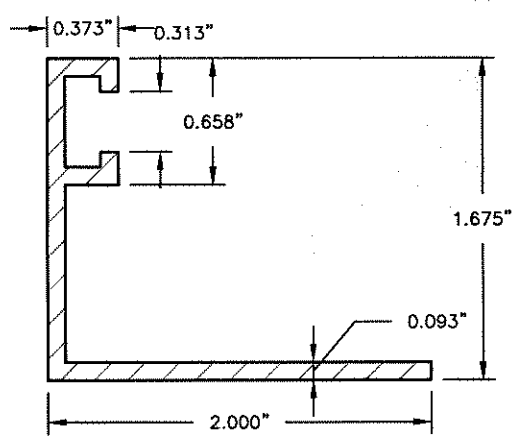
DRWN	CHKD	DATE
RWN	FLB	10/18/17

REMARKS  
 INIT ISSUE

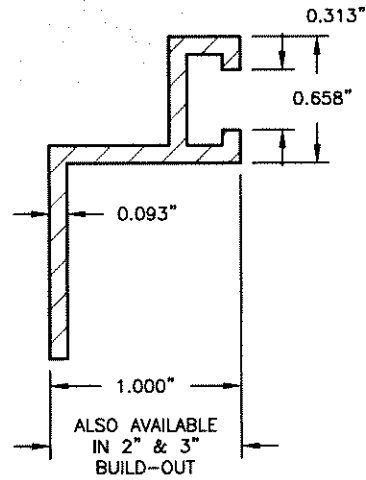
THIS DOCUMENT IS THE PROPERTY OF ENGINEERING EXPRESS AND SHALL NOT BE REPRODUCED IN WHOLE OR PART WITHOUT WRITTEN CONSENT OF ENGINEERING EXPRESS. ALTERATIONS, ADDITIONS, OR OTHER MARKINGS TO THIS DOCUMENT ARE NOT PERMITTED AND INVALIDATE OUR CERTIFICATION.

16-3080  
 SCALE: NTS UNLESS NOTED  
 36  
 10

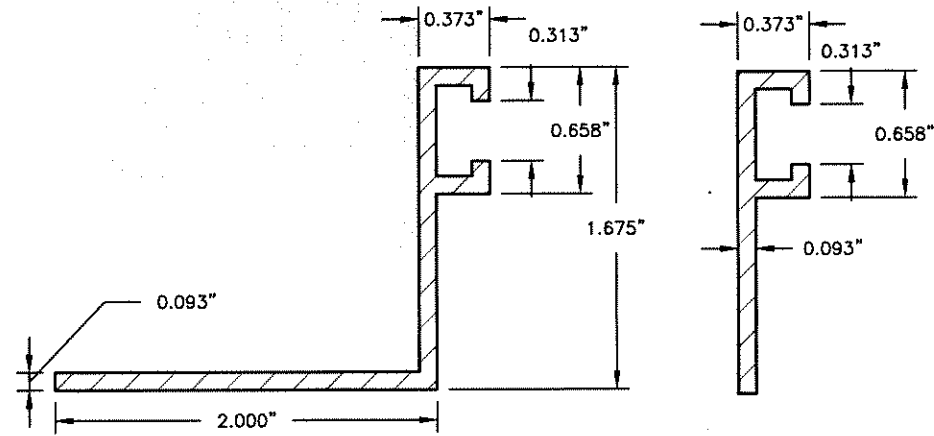
10/20/2017 - 3:07pm zachr V:\Projects\16-3080 Storm Catcher Wind Abatement System FL11291-RA\WP\2017\FBC Update\16-3080e-Dwg-11291.2.dwg



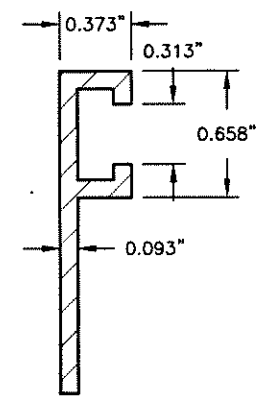
**ANGLED "F" TRACK**  
6063-T6 ALUMINUM - SCALE: 1:1



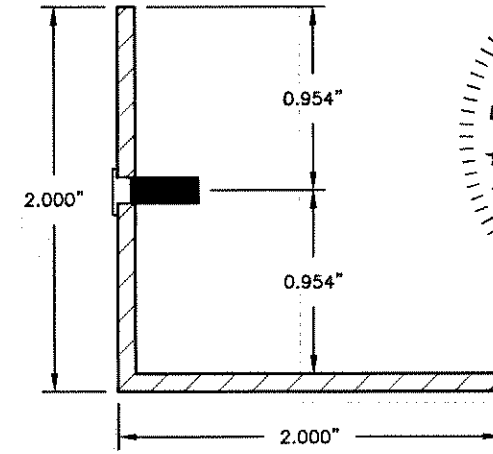
**BUILD-OUT "F" TRACK**  
6063-T6 ALUMINUM - SCALE: 1:1  
ALSO AVAILABLE  
IN 2" & 3"  
BUILD-OUT



**REVERSE ANGLED "F" TRACK**  
6063-T6 ALUMINUM - SCALE: 1:1



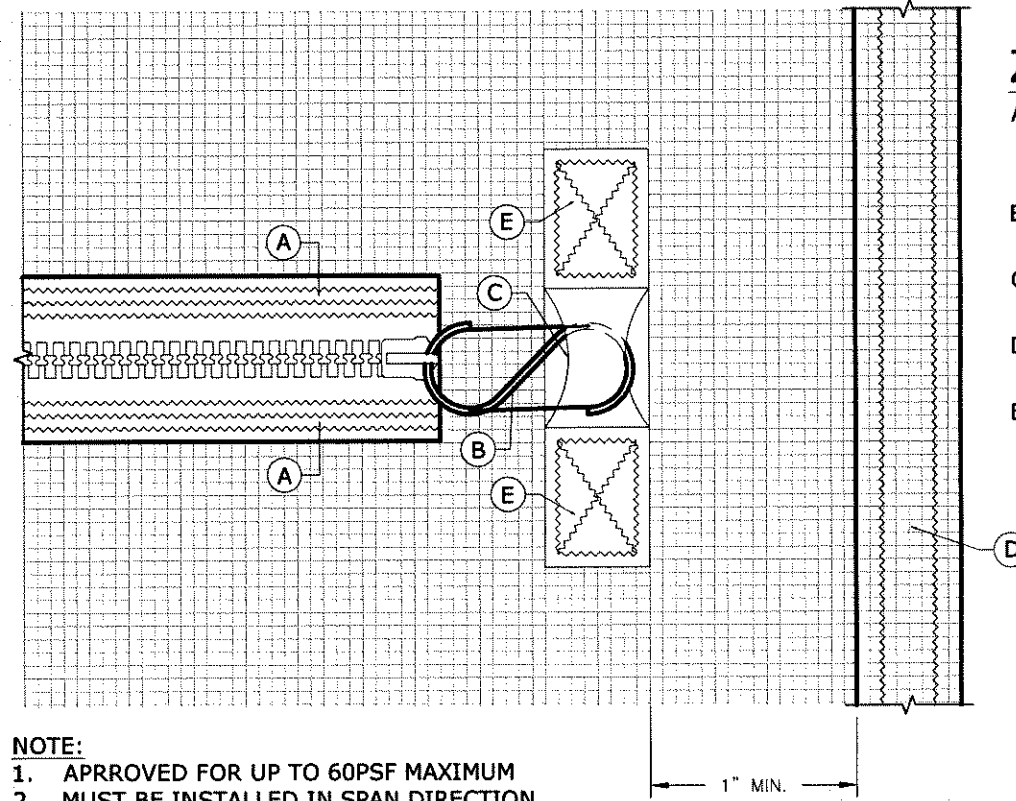
**STANDARD "F" TRACK**  
6063-T6 ALUMINUM - SCALE: 1:1



**STUDED ANGLED TRACK**  
6063-T6 ALUMINUM - SCALE: 1:1

FRANK L. BENNARDO, P.E.  
PE# 0046549  
10/20/2017  
STATE OF FLORIDA  
PROFESSIONAL ENGINEER  
No PE0046549

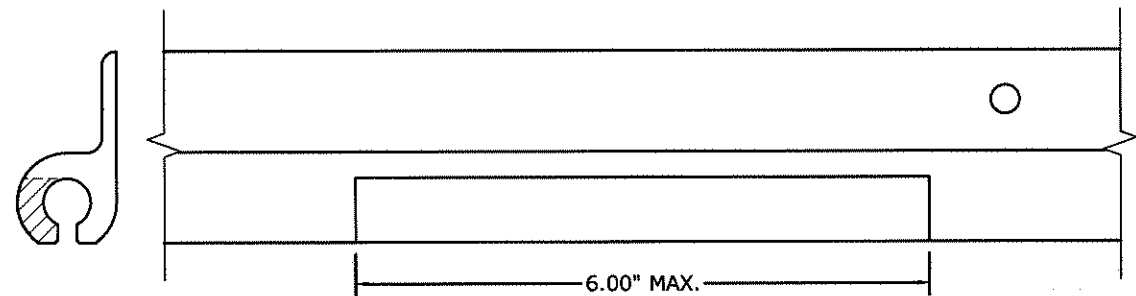
**ENGINEERING EXPRESS**  
CORPORATE OFFICE:  
160 SW 12th AVE, SUITE 106  
DEERFIELD BEACH, FL 33442  
P: (954) 354-0660 F: (954) 354-0443  
E: HELLO@ENGINEERINGEXPRESS.COM  
ENGINEERINGEXPRESS.COM  
CERT OF AUTH #9885



**ZIPPER KEYNOTES**

- A. (3) ROWS STITCHING EACH SIDE OF ZIPPER (THREAD: 138 DENIER POLYESTER)
- B. ANY SPRING CLIP W/ MINIMUM RATING OF 50 LBS. W.L.
- C. 2" WIDE SEAT BELT WEBBING WITH LOOP
- D. STRUCTURAL EDGE HEM. VARIES BY PANEL, SEE SHEET 1.
- E. 2" WIDE SEAT BELT WEBBING W/ BOX STITCH

- NOTE:**
1. APPROVED FOR UP TO 60PSF MAXIMUM
  2. MUST BE INSTALLED IN SPAN DIRECTION
  3. SHALL NOT PENETRATE HEMS



**SLIDE TRACK SLOT DETAIL**  
6063-T6 ALUMINUM - SCALE: 1:2

**STORM SMART INDUSTRIES, INC.**  
6182 IDLEWILD STREET  
FORT MYERS, FL  
(239) 938-1000  
STORM CATCHER WIND ABATEMENT SYSTEM FL11291.2 HVHZ

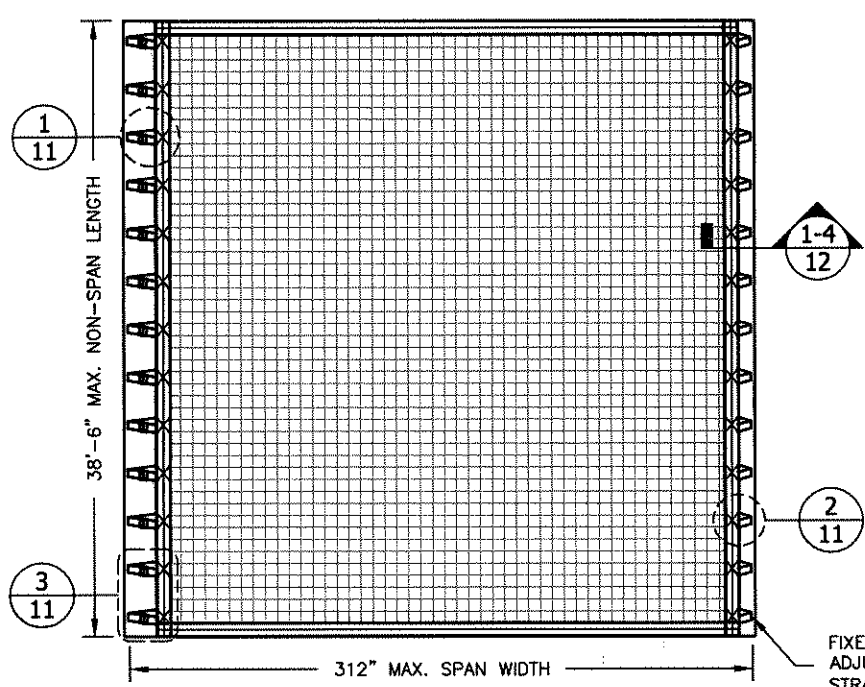
REMARKS	DATE
INIT ISSUE	10/16/17

THIS DOCUMENT IS THE PROPERTY OF ENGINEERING EXPRESS, AND SHALL NOT BE REPRODUCED IN WHOLE OR PART WITHOUT WRITTEN CONSENT OF ENGINEERING EXPRESS. ALTERATIONS, ADDITIONS, OR OTHER MARKINGS TO THIS DOCUMENT ARE NOT PERMITTED AND INVALIDATE OUR CERTIFICATION.

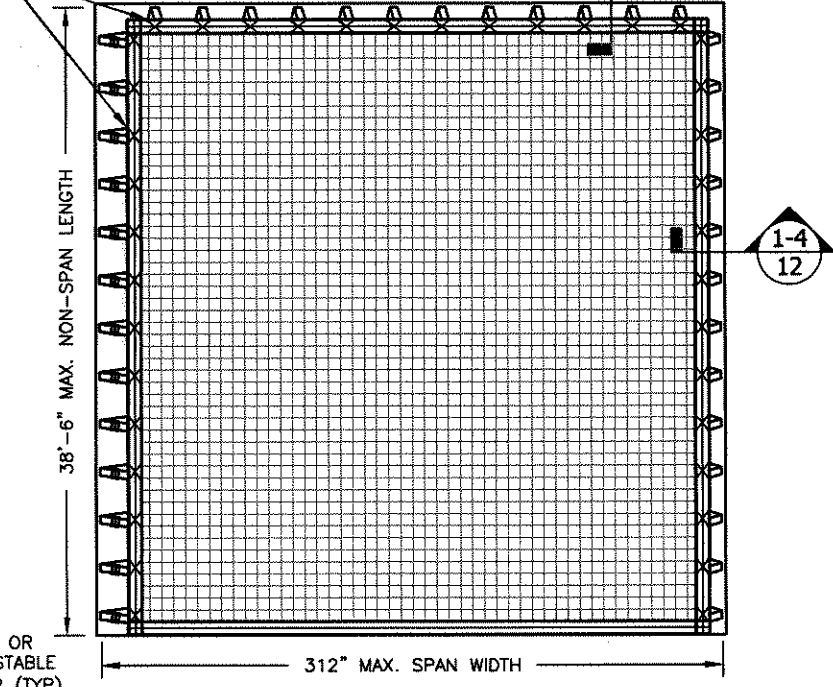
COPYRIGHT ENGINEERING EXPRESS®  
**16-3080**  
SCALE: NTS UNLESS NOTED  
OF 36  
**10**

10/20/2017 - 3:07pm zachr V:\Projects\16-3080 Storm Catcher Wind Abatement System FL11291-RA\WP\2017 FBC Update\16-3080e-Dwg-11291.2.dwg

SEE GROMMET AND STRAP SYSTEMS FOR ALTERNATIVE ATTACHMENTS (TYP)

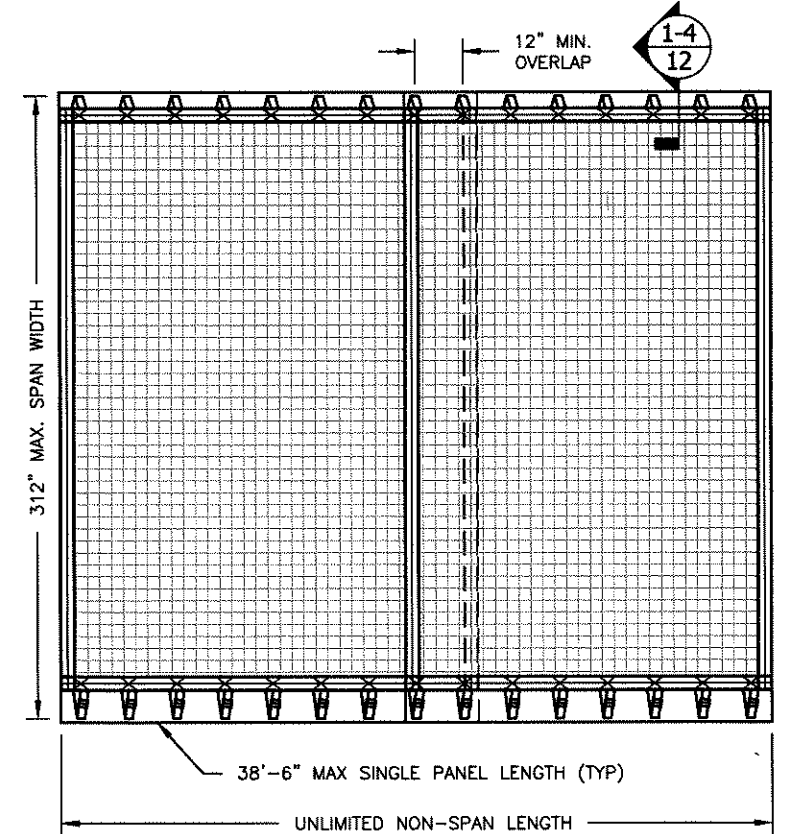


**STRAP SCREEN SINGLE PANEL - ELEVATION**  
TYPICAL 2 SIDED ATTACHMENT - VERTICAL OR HORIZONTAL INSTALLATION - N.T.S.

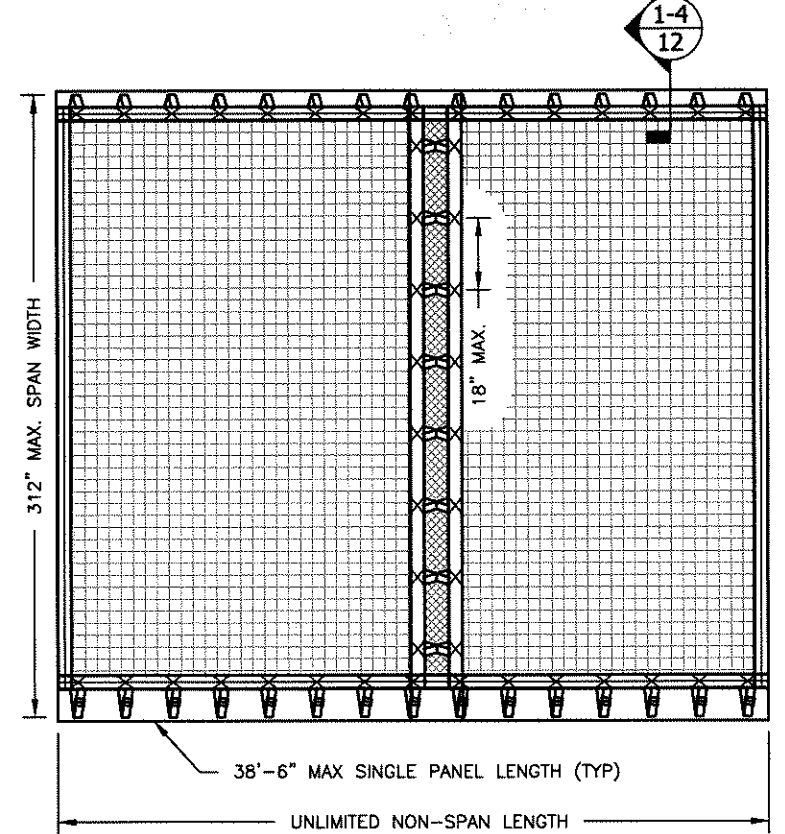


**STRAP SCREEN SINGLE PANEL - ELEVATION**  
3 OR 4 SIDED ATTACHMENT - VERTICAL OR HORIZONTAL INSTALLATION - SCALE N.T.S.

NOTE: FOR 4 SIDED ATTACHMENT THE SPAN IS IN THE SHORT DIMENSION BETWEEN FASTENERS.

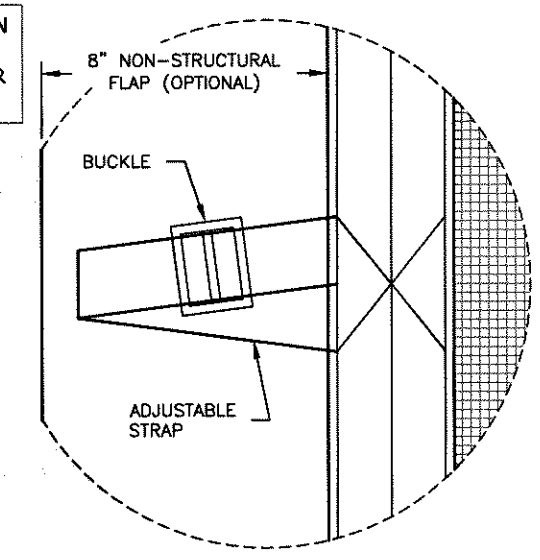


**STRAP SCREEN MULTIPLE PANEL - ELEVATION**  
LAPPED SCREEN - VERTICAL OR HORIZONTAL INSTALLATION - N.T.S.

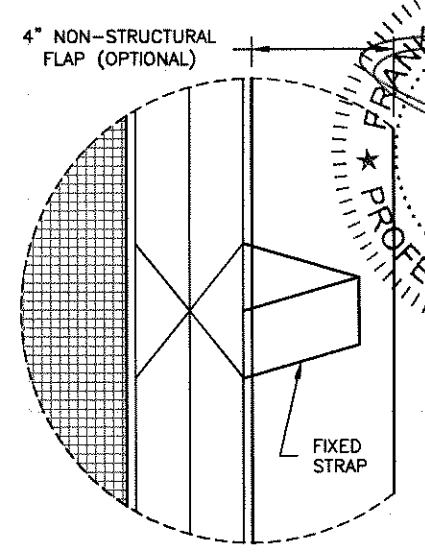


**STRAP SCREEN MULTIPLE PANEL - ELEVATION**  
OPTIONAL COLUMN ATTACHMENT - VERTICAL OR HORIZONTAL INSTALLATION - N.T.S.

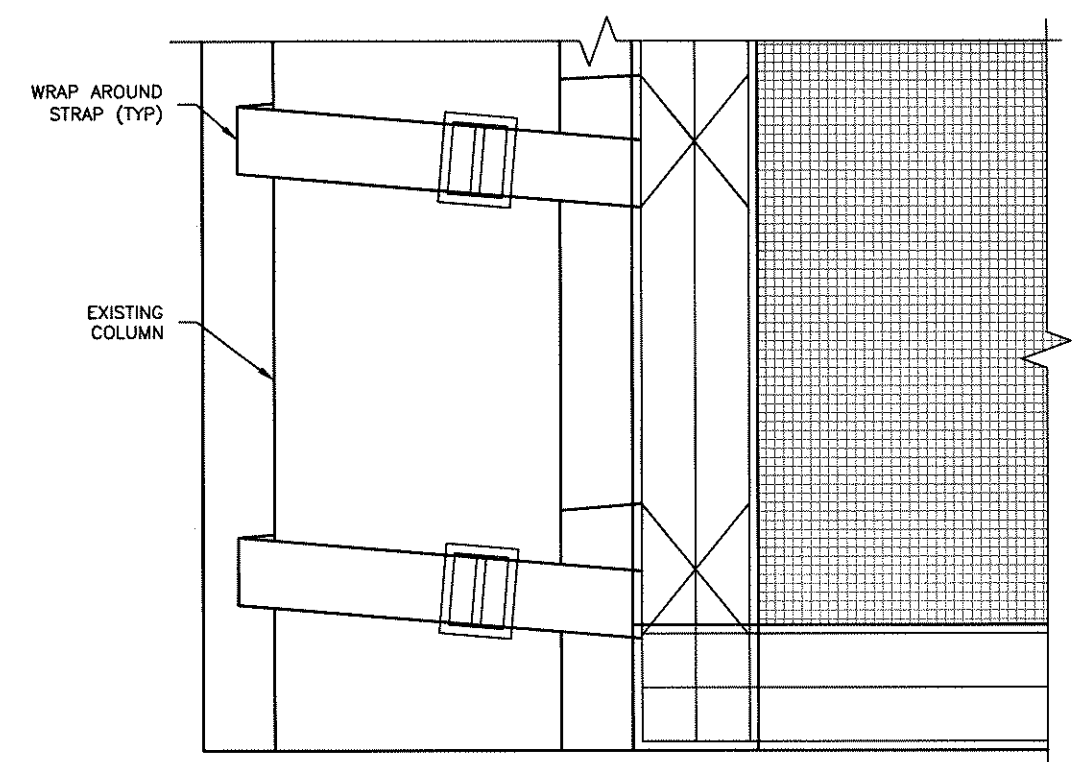
BOX STITCH CONFIGURATION MAY CHANGE, BUT MUST HAVE THE SAME OR GREATER LINEAR INCHES OF STITCH.



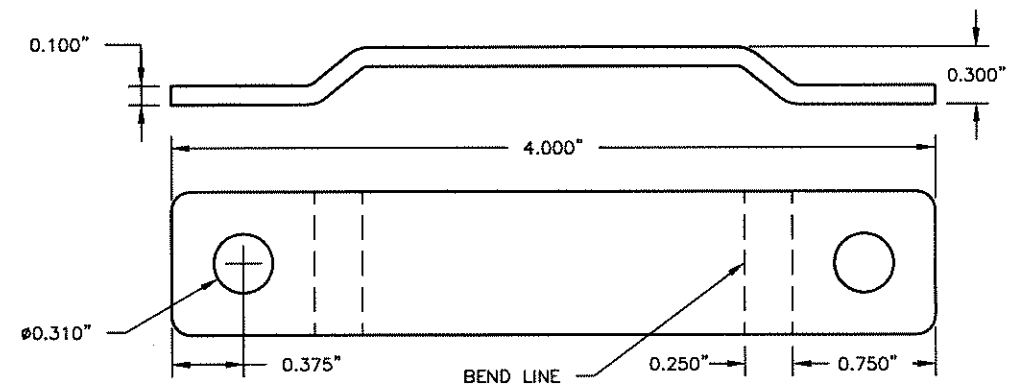
**1 ADJUSTABLE STRAP - DETAIL**  
NON-STRUCTURAL FLAP (OPTIONAL) - N.T.S.



**2 FIXED STRAP - DETAIL**  
NON-STRUCTURAL FLAP (OPTIONAL) - N.T.S.



**3 COLUMN MOUNT - DETAIL**  
COLUMN STRAP ATTACHMENT (OPTIONAL) - N.T.S.



**STRAP BRACKET**  
304 STAINLESS STEEL - SCALE: 1:1

FRANK L. BENNARDO, P.E.  
PE# 0046549  
16/20/2017  
FRANK L. BENNARDO, P.E.  
46549  
STATE OF FLORIDA  
**ENGINEERING EXPRESS, INC.**  
CORPORATE OFFICE:  
160 SW 12th AVE, SUITE 106  
DEERFIELD BEACH, FL 33442  
P: (954) 354-0660 F: (954) 354-0443  
E: HELLO@ENGINEERINGEXPRESS.COM  
ENGINEERINGEXPRESS.COM  
CERT OF AUTH #9885

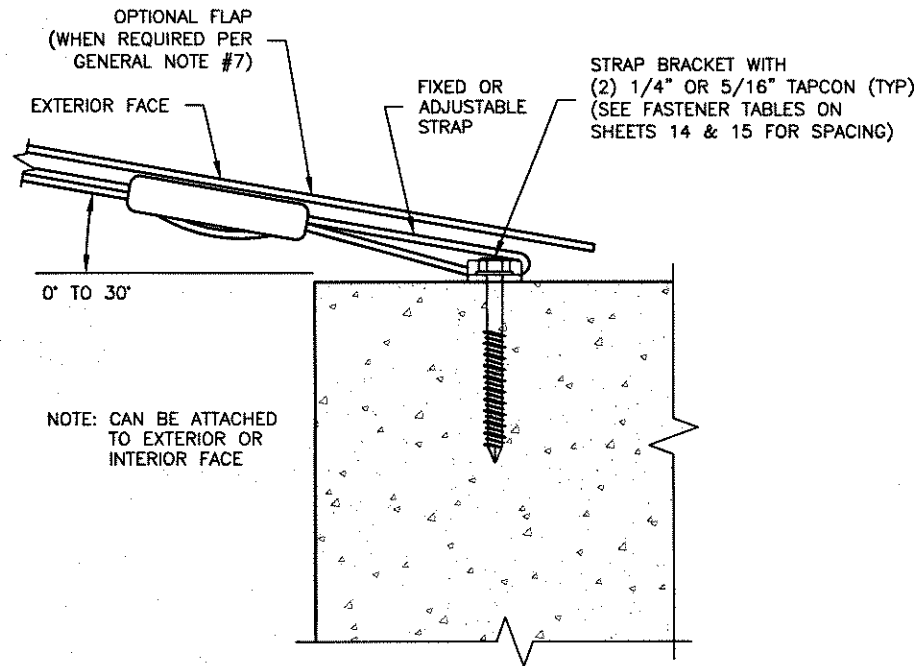
**STORM SMART INDUSTRIES, INC.**  
6182 IDLEWILD STREET  
FORT MYERS, FL  
(239) 938-1000  
STORM CATCHER WIND ABATEMENT SYSTEM FL11291.2 HVHZ  
FL

REMARKS	DRWN	CHKD	DATE
INT ISSUE	RWN	FLB	10/18/17

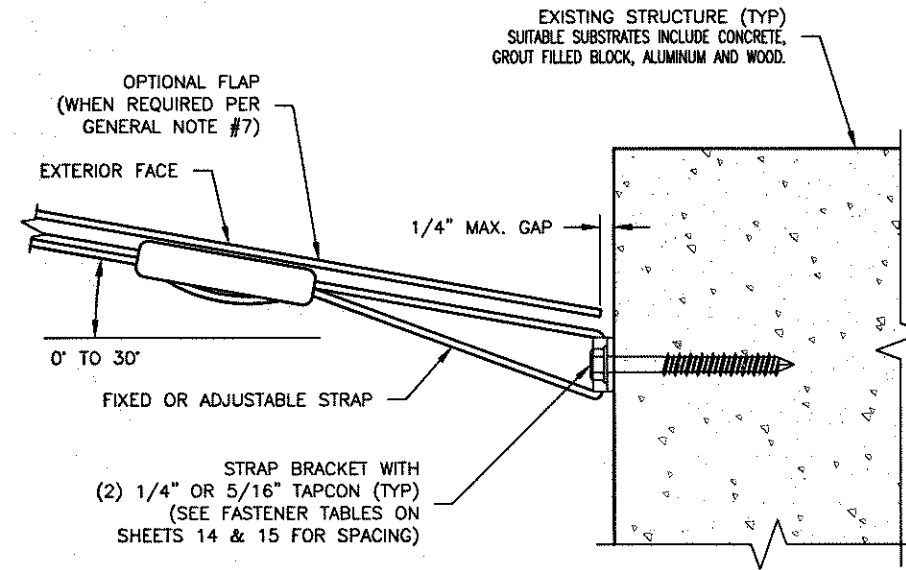
THIS DOCUMENT IS THE PROPERTY OF ENGINEERING EXPRESS, AND SHALL NOT BE REPRODUCED IN WHOLE OR PART WITHOUT WRITTEN CONSENT OF ENGINEERING EXPRESS. ALTERATIONS, ADDITIONS, OR OTHER MARKINGS TO THIS DOCUMENT ARE NOT PERMITTED AND INVALIDATE OUR CERTIFICATION.

COPYRIGHT ENGINEERING EXPRESS®  
**16-3080**  
SCALE: NTS UNLESS NOTED  
OF 36  
**11**

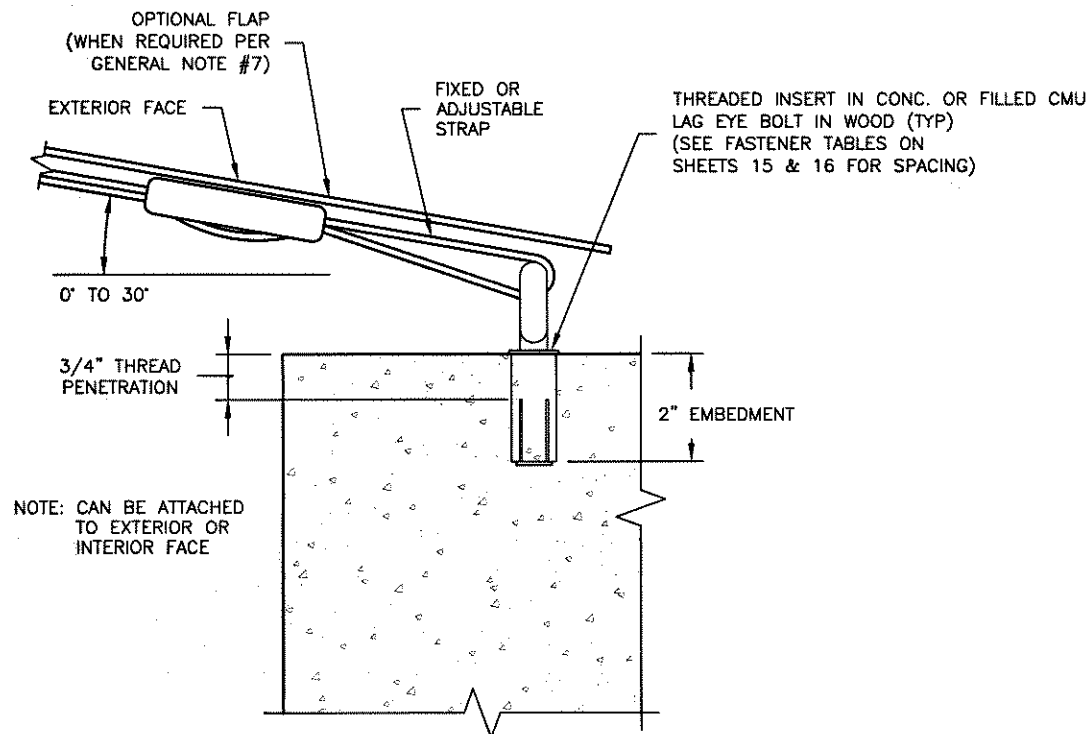
10/20/2017 - 3:07pm zachr V:\Projects\16-3080 Storm Catcher Wind Abatement System FL11291-R41WP\2017 FBC Update\16-3080e-Dwg-11291.2.dwg



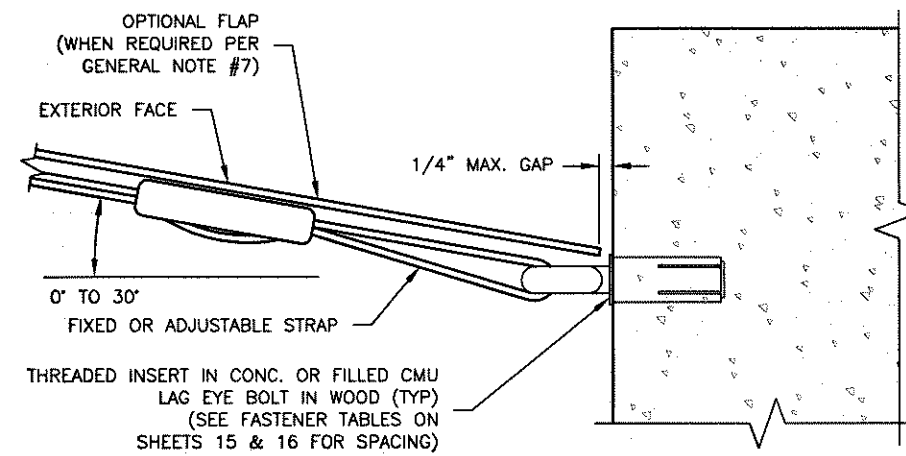
1 OUTSIDE MOUNT - SECTION  
STRAP BRACKET INSTALLATION (OPTION 1) - N.T.S.



2 INSIDE MOUNT - SECTION  
STRAP BRACKET INSTALLATION (OPTION 2) - N.T.S.



3 OUTSIDE MOUNT - SECTION  
EYE BOLT INSTALLATION (OPTION 3) - N.T.S.



4 INSIDE MOUNT - SECTION  
EYE BOLT INSTALLATION (OPTION 4) - N.T.S.

FRANK L. BENNARDO, P.E.  
PE# 0046549  
10/20/2017  
FRANK L. BENNARDO, P.E.  
STATE OF FLORIDA  
PROFESSIONAL ENGINEER  
No PE0046549

ENGINEERING EXPRESS®  
CORPORATE OFFICE:  
160 SW 12th AVE, SUITE 106  
DEERFIELD BEACH, FL 33442  
P: (954) 354-0660 F: (954) 354-0443  
E: HELLO@ENGINEERINGEXPRESS.COM  
ENGINEERINGEXPRESS.COM  
CERT OF AUTH #9885

STORM SMART INDUSTRIES, INC.  
6182 IDLEWILD STREET  
FORT MYERS, FL  
(239) 938-1000  
STORM CATCHER WIND ABATEMENT SYSTEM FL11291.2 HVHZ  
- FL

REMARKS	DRWN	CHKD	DATE
INIT ISSUE	RWN	FLB	10/18/17

THIS DOCUMENT IS THE PROPERTY OF ENGINEERING EXPRESS AND SHALL NOT BE REPRODUCED IN WHOLE OR PART WITHOUT WRITTEN CONSENT FROM ENGINEERING EXPRESS. ALTERATIONS, REVISIONS, AND INVALUATE OUR CERTIFICATION.

COPYRIGHT ENGINEERING EXPRESS®  
16-3080  
SCALE: N.T.S. UNLESS NOTED







































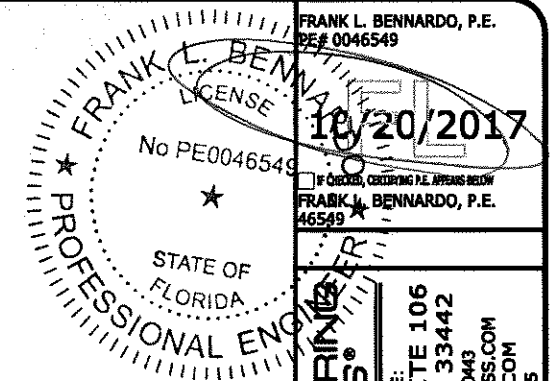






5/16" & 1/4" ELCO ULTRACON HFH STRAP BRACKET SPACING

TABLE 19 - HOLLOW BLOCK



FRANK L. BENNARDO, P.E.  
PE# 0046549  
10/20/2017  
FRANK L. BENNARDO, P.E.  
46549

**ENGINEERING EXPRESS**  
CORPORATE OFFICE:  
160 SW 12th AVE, SUITE 106  
DEERFIELD BEACH, FL 33442  
P: (954) 354-0660 F: (954) 354-0443  
E: HELLO@ENGINEERINGEXPRESS.COM  
ENGINEERINGEXPRESS.COM  
CERT OF AUTH #9885

**STORM SMART INDUSTRIES, INC.**  
6182 IDLEWILD STREET  
FORT MYERS, FL  
(239) 938-1000  
STORM CATCHER WIND ABATEMENT SYSTEM FL11291.2 HVHZ  
FL

HOST STRUCT.	ANCHOR TYPE	3-1/8" MIN EDGE DISTANCE																														
		LOAD (psf)	SPANS 0' ≤ 3'	SPANS 3' ≤ 3'-6"	SPANS 3'-7" ≤ 4'	SPANS 4' ≤ 4'-6"	SPANS 4'-7" ≤ 5'	SPANS 5' ≤ 5'-6"	SPANS 5'-7" ≤ 6'	SPANS 6' ≤ 6'-6"	SPANS 6'-7" ≤ 7'	SPANS 7' ≤ 7'-6"	SPANS 7'-7" ≤ 8'	SPANS 8' ≤ 8'-6"	SPANS 8'-7" ≤ 9'	SPANS 9' ≤ 9'-6"	SPANS 9'-7" ≤ 10'	SPANS 10' ≤ 10'-6"	SPANS 10'-7" ≤ 11'	SPANS 11' ≤ 11'-6"	SPANS 11'-7" ≤ 12'	SPANS 12' ≤ 12'-6"	SPANS 12'-7" ≤ 13'	SPANS 13' ≤ 13'-6"	SPANS 13'-7" ≤ 14'	SPANS 14' ≤ 14'-6"	SPANS 14'-7" ≤ 15'	SPANS 15' ≤ 15'-6"	SPANS 15'-7" ≤ 16'			
HOLLOW BLOCK	5/16" ELCO ULTRACON HFH 1-1/4" EMBEDMENT	30	18.0"	18.0"	18.0"	17.0"	15.0"	14.0"	13.0"	13.0"	12.0"	11.0"	11.0"	10.0"	10.0"	10.0"	9.0"	9.0"	9.0"	8.0"	8.0"	8.0"	8.0"	7.0"	7.0"	7.0"	7.0"	7.0"	7.0"	6.0"		
		35	18.0"	18.0"	16.0"	15.0"	14.0"	13.0"	12.0"	12.0"	11.0"	11.0"	10.0"	10.0"	9.0"	9.0"	9.0"	8.0"	8.0"	8.0"	7.0"	7.0"	7.0"	7.0"	6.0"	6.0"	6.0"	6.0"	6.0"	6.0"	6.0"	
		40	18.0"	16.0"	15.0"	13.0"	12.0"	12.0"	11.0"	10.0"	10.0"	9.0"	9.0"	8.0"	8.0"	8.0"	8.0"	7.0"	7.0"	7.0"	6.0"	6.0"	6.0"	6.0"	6.0"	N/A	N/A	N/A	N/A	N/A	N/A	N/A
		45	17.0"	15.0"	13.0"	12.0"	11.0"	11.0"	10.0"	9.0"	9.0"	8.0"	8.0"	8.0"	7.0"	7.0"	7.0"	6.0"	6.0"	6.0"	6.0"	6.0"	6.0"	N/A	N/A	N/A	N/A	N/A	N/A	N/A	N/A	N/A
		50	15.0"	14.0"	12.0"	11.0"	11.0"	10.0"	9.0"	9.0"	8.0"	8.0"	8.0"	7.0"	7.0"	7.0"	6.0"	6.0"	6.0"	6.0"	6.0"	6.0"	N/A	N/A	N/A	N/A	N/A	N/A	N/A	N/A	N/A	N/A
		55	14.0"	13.0"	12.0"	11.0"	10.0"	9.0"	9.0"	8.0"	8.0"	7.0"	7.0"	7.0"	6.0"	6.0"	6.0"	6.0"	6.0"	6.0"	N/A	N/A	N/A	N/A	N/A	N/A	N/A	N/A	N/A	N/A	N/A	N/A
		60	13.0"	12.0"	11.0"	10.0"	9.0"	9.0"	8.0"	8.0"	7.0"	7.0"	6.0"	6.0"	6.0"	6.0"	6.0"	N/A	N/A	N/A	N/A	N/A	N/A	N/A	N/A	N/A	N/A	N/A	N/A	N/A	N/A	N/A
		65	13.0"	11.0"	10.0"	9.0"	9.0"	8.0"	8.0"	7.0"	7.0"	6.0"	6.0"	6.0"	6.0"	N/A	N/A	N/A	N/A	N/A	N/A	N/A	N/A	N/A	N/A	N/A	N/A	N/A	N/A	N/A	N/A	N/A
		70	12.0"	11.0"	10.0"	9.0"	8.0"	8.0"	7.0"	7.0"	6.0"	6.0"	6.0"	6.0"	N/A	N/A	N/A	N/A	N/A	N/A	N/A	N/A	N/A	N/A	N/A	N/A	N/A	N/A	N/A	N/A	N/A	N/A
		75	11.0"	10.0"	9.0"	8.0"	8.0"	7.0"	7.0"	6.0"	6.0"	6.0"	N/A	N/A	N/A	N/A	N/A	N/A	N/A	N/A	N/A	N/A	N/A	N/A	N/A	N/A	N/A	N/A	N/A	N/A	N/A	N/A
		80	11.0"	10.0"	9.0"	8.0"	7.0"	7.0"	6.0"	6.0"	6.0"	6.0"	N/A	N/A	N/A	N/A	N/A	N/A	N/A	N/A	N/A	N/A	N/A	N/A	N/A	N/A	N/A	N/A	N/A	N/A	N/A	N/A
		85	10.0"	9.0"	8.0"	8.0"	7.0"	7.0"	6.0"	6.0"	6.0"	N/A	N/A	N/A	N/A	N/A	N/A	N/A	N/A	N/A	N/A	N/A	N/A	N/A	N/A	N/A	N/A	N/A	N/A	N/A	N/A	N/A
		90	10.0"	9.0"	8.0"	7.0"	7.0"	6.0"	6.0"	6.0"	N/A	N/A	N/A	N/A	N/A	N/A	N/A	N/A	N/A	N/A	N/A	N/A	N/A	N/A	N/A	N/A	N/A	N/A	N/A	N/A	N/A	N/A
		95	10.0"	9.0"	8.0"	7.0"	6.0"	6.0"	6.0"	6.0"	N/A	N/A	N/A	N/A	N/A	N/A	N/A	N/A	N/A	N/A	N/A	N/A	N/A	N/A	N/A	N/A	N/A	N/A	N/A	N/A	N/A	N/A
		100	9.0"	8.0"	7.0"	7.0"	6.0"	6.0"	N/A	N/A	N/A	N/A	N/A	N/A	N/A	N/A	N/A	N/A	N/A	N/A	N/A	N/A	N/A	N/A	N/A	N/A	N/A	N/A	N/A	N/A	N/A	N/A
		105	9.0"	8.0"	7.0"	6.0"	6.0"	6.0"	N/A	N/A	N/A	N/A	N/A	N/A	N/A	N/A	N/A	N/A	N/A	N/A	N/A	N/A	N/A	N/A	N/A	N/A	N/A	N/A	N/A	N/A	N/A	N/A
		110	9.0"	8.0"	7.0"	6.0"	6.0"	6.0"	N/A	N/A	N/A	N/A	N/A	N/A	N/A	N/A	N/A	N/A	N/A	N/A	N/A	N/A	N/A	N/A	N/A	N/A	N/A	N/A	N/A	N/A	N/A	N/A
		115	8.0"	7.0"	7.0"	6.0"	6.0"	N/A	N/A	N/A	N/A	N/A	N/A	N/A	N/A	N/A	N/A	N/A	N/A	N/A	N/A	N/A	N/A	N/A	N/A	N/A	N/A	N/A	N/A	N/A	N/A	N/A
		120	8.0"	7.0"	6.0"	6.0"	N/A	N/A	N/A	N/A	N/A	N/A	N/A	N/A	N/A	N/A	N/A	N/A	N/A	N/A	N/A	N/A	N/A	N/A	N/A	N/A	N/A	N/A	N/A	N/A	N/A	N/A
		125	8.0"	7.0"	6.0"	6.0"	N/A	N/A	N/A	N/A	N/A	N/A	N/A	N/A	N/A	N/A	N/A	N/A	N/A	N/A	N/A	N/A	N/A	N/A	N/A	N/A	N/A	N/A	N/A	N/A	N/A	N/A
130	8.0"	7.0"	6.0"	N/A	N/A	N/A	N/A	N/A	N/A	N/A	N/A	N/A	N/A	N/A	N/A	N/A	N/A	N/A	N/A	N/A	N/A	N/A	N/A	N/A	N/A	N/A	N/A	N/A	N/A	N/A		
HOLLOW BLOCK	1/4" ELCO ULTRACON HFH 1-1/4" EMBEDMENT	30	18.0"	18.0"	18.0"	18.0"	17.0"	15.0"	14.0"	14.0"	13.0"	12.0"	12.0"	11.0"	11.0"	10.0"	10.0"	9.0"	9.0"	9.0"	8.0"	8.0"	8.0"	8.0"	7.0"	7.0"	7.0"	7.0"	7.0"	7.0"		
		35	18.0"	18.0"	18.0"	16.0"	15.0"	14.0"	13.0"	13.0"	12.0"	11.0"	11.0"	10.0"	10.0"	9.0"	9.0"	9.0"	8.0"	8.0"	8.0"	7.0"	7.0"	7.0"	7.0"	6.0"	6.0"	6.0"	6.0"	6.0"	6.0"	
		40	18.0"	18.0"	16.0"	14.0"	13.0"	12.0"	12.0"	11.0"	10.0"	9.0"	9.0"	8.0"	8.0"	8.0"	7.0"	7.0"	7.0"	6.0"	6.0"	6.0"	6.0"	6.0"	6.0"	N/A	N/A	N/A	N/A	N/A	N/A	N/A
		45	18.0"	16.0"	14.0"	13.0"	12.0"	11.0"	11.0"	10.0"	9.0"	9.0"	8.0"	8.0"	8.0"	7.0"	7.0"	7.0"	6.0"	6.0"	6.0"	6.0"	6.0"	6.0"	N/A	N/A	N/A	N/A	N/A	N/A	N/A	N/A
		50	17.0"	15.0"	13.0"	12.0"	11.0"	10.0"	10.0"	9.0"	9.0"	8.0"	8.0"	8.0"	7.0"	7.0"	7.0"	6.0"	6.0"	6.0"	6.0"	6.0"	6.0"	N/A	N/A	N/A	N/A	N/A	N/A	N/A	N/A	N/A
		55	15.0"	14.0"	12.0"	11.0"	10.0"	10.0"	9.0"	9.0"	8.0"	8.0"	7.0"	7.0"	7.0"	6.0"	6.0"	6.0"	6.0"	6.0"	N/A	N/A	N/A	N/A	N/A	N/A	N/A	N/A	N/A	N/A	N/A	N/A
		60	14.0"	13.0"	12.0"	11.0"	10.0"	9.0"	8.0"	8.0"	7.0"	7.0"	7.0"	6.0"	6.0"	6.0"	6.0"	N/A	N/A	N/A	N/A	N/A	N/A	N/A	N/A	N/A	N/A	N/A	N/A	N/A	N/A	N/A
		65	14.0"	12.0"	11.0"	10.0"	9.0"	8.0"	8.0"	7.0"	7.0"	6.0"	6.0"	6.0"	6.0"	N/A	N/A	N/A	N/A	N/A	N/A	N/A	N/A	N/A	N/A	N/A	N/A	N/A	N/A	N/A	N/A	N/A
		70	13.0"	11.0"	10.0"	9.0"	9.0"	8.0"	7.0"	7.0"	6.0"	6.0"	6.0"	6.0"	N/A	N/A	N/A	N/A	N/A	N/A	N/A	N/A	N/A	N/A	N/A	N/A	N/A	N/A	N/A	N/A	N/A	N/A
		75	12.0"	11.0"	10.0"	9.0"	8.0"	8.0"	7.0"	7.0"	6.0"	6.0"	N/A	N/A	N/A	N/A	N/A	N/A	N/A	N/A	N/A	N/A	N/A	N/A	N/A	N/A	N/A	N/A	N/A	N/A	N/A	N/A
		80	12.0"	10.0"	9.0"	8.0"	8.0"	7.0"	7.0"	6.0"	6.0"	6.0"	N/A	N/A	N/A	N/A	N/A	N/A	N/A	N/A	N/A	N/A	N/A	N/A	N/A	N/A	N/A	N/A	N/A	N/A	N/A	N/A
		85	11.0"	10.0"	9.0"	8.0"	7.0"	7.0"	6.0"	6.0"	6.0"	N/A	N/A	N/A	N/A	N/A	N/A	N/A	N/A	N/A	N/A	N/A	N/A	N/A	N/A	N/A	N/A	N/A	N/A	N/A	N/A	N/A
		90	11.0"	9.0"	8.0"	8.0"	7.0"	6.0"	6.0"	6.0"	N/A	N/A	N/A	N/A	N/A	N/A	N/A	N/A	N/A	N/A	N/A	N/A	N/A	N/A	N/A	N/A	N/A	N/A	N/A	N/A	N/A	N/A
		95	10.0"	9.0"	8.0"	7.0"	7.0"	6.0"	6.0"	6.0"	N/A	N/A	N/A	N/A	N/A	N/A	N/A	N/A	N/A	N/A	N/A	N/A	N/A	N/A	N/A	N/A	N/A	N/A	N/A	N/A	N/A	N/A
		100	10.0"	9.0"	8.0"	7.0"	6.0"	6.0"	N/A	N/A	N/A	N/A	N/A	N/A	N/A	N/A	N/A	N/A	N/A	N/A	N/A	N/A	N/A	N/A	N/A	N/A	N/A	N/A	N/A	N/A	N/A	N/A
		105	9.0"	8.0"	7.0"	7.0"	6.0"	6.0"	N/A	N/A	N/A	N/A	N/A	N/A	N/A	N/A	N/A	N/A	N/A	N/A	N/A	N/A	N/A	N/A	N/A	N/A	N/A	N/A	N/A	N/A	N/A	N/A
		110	9.0"	8.0"	7.0"	6.0"	6.0"	6.0"	N/A	N/A	N/A	N/A	N/A	N/A	N/A	N/A	N/A	N/A	N/A	N/A	N/A	N/A	N/A	N/A	N/A	N/A	N/A	N/A	N/A	N/A	N/A	N/A
		115	9.0"	8.0"	7.0"	6.0"	6.0"	N/A	N/A	N/A	N/A	N/A	N/A	N/A	N/A	N/A	N/A	N/A	N/A	N/A	N/A	N/A	N/A	N/A	N/A	N/A	N/A	N/A	N/A	N/A	N/A	N/A
		120	8.0"	7.0"	7.0"	6.0"	N/A	N/A	N/A	N/A	N/A	N/A	N/A	N/A	N/A	N/A	N/A	N/A	N/A	N/A	N/A	N/A	N/A	N/A	N/A	N/A	N/A	N/A	N/A	N/A	N/A	N/A
		125	8.0"	7.0"	6.0"	6.0"	N/A	N/A	N/A	N/A	N/A	N/A	N/A	N/A	N/A	N/A	N/A	N/A	N/A	N/A	N/A	N/A	N/A	N/A	N/A	N/A	N/A	N/A	N/A	N/A	N/A	N/A
130	8.0"	7.0"	6.0"	6.0"	N/A	N/A	N/A	N/A	N/A	N/A	N/A	N/A	N/A	N/A	N/A	N/A	N/A	N/A	N/A	N/A	N/A	N/A	N/A	N/A	N/A	N/A	N/A	N/A	N/A	N/A		

V:\Projects\16-3080 Storm Catcher Wind Abatement System\_FL11291-RAWP\2017 FBC Update\16-3080e-Dwg-11291.2.dwg

NOTES:  
1. THIS SPACING IS APPROVED FOR USE ATTACHING STRAP BRACKETS ONLY

REMARKS  
INIT ISSUE

DATE  
10/18/17

DRWN/CHKD  
RWB/FLB

THIS DOCUMENT IS THE PROPERTY OF ENGINEERING EXPRESS AND SHALL NOT BE REPRODUCED IN WHOLE OR PART WITHOUT WRITTEN CONSENT OF ENGINEERING EXPRESS. ALTERNATIONS, ADDITIONS OR OTHER MARKINGS TO THIS DOCUMENT ARE NOT PERMITTED AND INVALIDATE OUR CERTIFICATION.

COPYRIGHT ENGINEERING EXPRESS

16-3080

SCALE: NTS UNLESS NOTED

28

36

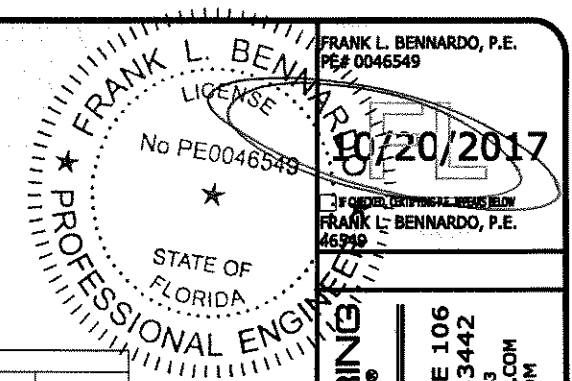






TABLE 22 - WOOD

3/8" & 1/2" LAG BOLT



**ENGINEERING EXPRESS**  
 CORPORATE OFFICE:  
 160 SW 12th AVE, SUITE 106  
 DEERFIELD BEACH, FL 33442  
 P: (954) 354-0660 F: (954) 354-0443  
 E: HELLO@ENGINEERINGEXPRESS.COM  
 ENGINEERINGEXPRESS.COM  
 CERT OF AUTH #9885

**STORM SMART INDUSTRIES, INC.**  
 6182 IDLEWILD STREET  
 FORT MYERS, FL  
 (239) 938-1000  
 STORM CATCHER WIND ABATEMENT SYSTEM FL11291.2 HVHZ

V:\Projects\16-3080 Storm Catcher Wind Abatement System FL 11291-RA\WP2017\FBC Update\16-3080e-Dwg-11291.2.dwg zach 10/20/2017 - 3:08pm

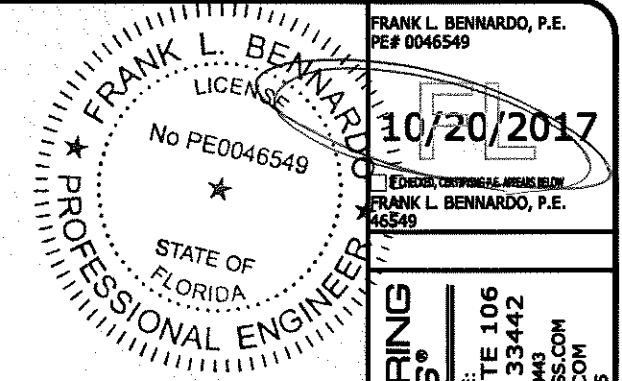
HOST STRUCT.	ANCHOR TYPE	2 1/2" MIN EDGE DISTANCE																																
		LOAD (psf)	SPANS 0' ≤ 3'	SPANS 3' ≤ 3'-6"	SPANS 3'-7" ≤ 4'	SPANS 4' ≤ 3'-8"	SPANS 4'-7" ≤ 5'	SPANS 5' ≤ 5'-6"	SPANS 5'-7" ≤ 6'	SPANS 6' ≤ 6'-6"	SPANS 6'-7" ≤ 7'	SPANS 7' ≤ 7'-6"	SPANS 7'-7" ≤ 8'	SPANS 8' ≤ 8'-6"	SPANS 8'-7" ≤ 9'	SPANS 9' ≤ 9'-6"	SPANS 9'-7" ≤ 10'	SPANS 10' ≤ 10'-6"	SPANS 10'-7" ≤ 11'	SPANS 11' ≤ 11'-6"	SPANS 11'-7" ≤ 12'	SPANS 12' ≤ 12'-6"	SPANS 12'-7" ≤ 13'	SPANS 13' ≤ 13'-6"	SPANS 13'-7" ≤ 14'	SPANS 14' ≤ 14'-6"	SPANS 14'-7" ≤ 15'	SPANS 15' ≤ 15'-6"	SPANS 15'-7" ≤ 16'					
WOOD	3/8" LAG BOLT OR ALL POINTS COMBO WITH MIN. 2-1/2" THREAD PENETRATION	30	11.0"	10.0"	9.0"	9.0"	8.0"	7.0"	7.0"	6.0"	6.0"	6.0"	6.0"	5.0"	5.0"	5.0"	5.0"	5.0"	4.0"	4.0"	4.0"	4.0"	4.0"	4.0"	4.0"	4.0"	3.0"	3.0"	3.0"	3.0"				
		35	10.0"	9.0"	8.0"	8.0"	7.0"	7.0"	6.0"	6.0"	5.0"	5.0"	5.0"	5.0"	5.0"	5.0"	4.0"	4.0"	4.0"	4.0"	4.0"	4.0"	4.0"	4.0"	3.0"	3.0"	3.0"	3.0"	3.0"	3.0"	3.0"			
		40	9.0"	8.0"	8.0"	7.0"	6.0"	6.0"	6.0"	5.0"	5.0"	5.0"	4.0"	4.0"	4.0"	4.0"	4.0"	4.0"	3.0"	3.0"	3.0"	3.0"	3.0"	3.0"	3.0"	3.0"	3.0"	3.0"	3.0"	3.0"	3.0"			
		45	9.0"	8.0"	7.0"	6.0"	6.0"	5.0"	5.0"	5.0"	5.0"	4.0"	4.0"	4.0"	4.0"	4.0"	3.0"	3.0"	3.0"	3.0"	3.0"	3.0"	3.0"	3.0"	3.0"	3.0"	3.0"	2.0"	2.0"	2.0"	2.0"	2.0"		
		50	8.0"	7.0"	6.0"	6.0"	5.0"	5.0"	5.0"	4.0"	4.0"	4.0"	4.0"	4.0"	4.0"	3.0"	3.0"	3.0"	3.0"	3.0"	3.0"	3.0"	3.0"	3.0"	2.0"	2.0"	2.0"	2.0"	2.0"	2.0"	2.0"	2.0"		
		55	7.0"	7.0"	6.0"	5.0"	5.0"	5.0"	4.0"	4.0"	4.0"	4.0"	4.0"	3.0"	3.0"	3.0"	3.0"	3.0"	3.0"	3.0"	3.0"	3.0"	2.0"	2.0"	2.0"	2.0"	2.0"	2.0"	2.0"	2.0"	2.0"	2.0"	2.0"	
		60	7.0"	6.0"	6.0"	5.0"	5.0"	4.0"	4.0"	4.0"	4.0"	4.0"	4.0"	3.0"	3.0"	3.0"	3.0"	3.0"	3.0"	3.0"	2.0"	2.0"	2.0"	2.0"	2.0"	2.0"	2.0"	2.0"	2.0"	2.0"	2.0"	2.0"	2.0"	
		65	6.0"	6.0"	5.0"	5.0"	4.0"	4.0"	4.0"	4.0"	4.0"	3.0"	3.0"	3.0"	3.0"	3.0"	3.0"	2.0"	2.0"	2.0"	2.0"	2.0"	2.0"	2.0"	2.0"	2.0"	2.0"	2.0"	2.0"	2.0"	2.0"	2.0"	2.0"	
		70	6.0"	5.0"	5.0"	5.0"	4.0"	4.0"	4.0"	4.0"	3.0"	3.0"	3.0"	3.0"	3.0"	3.0"	2.0"	2.0"	2.0"	2.0"	2.0"	2.0"	2.0"	2.0"	2.0"	2.0"	2.0"	2.0"	2.0"	2.0"	2.0"	2.0"	2.0"	
		75	6.0"	5.0"	5.0"	4.0"	4.0"	4.0"	3.0"	3.0"	3.0"	3.0"	3.0"	3.0"	2.0"	2.0"	2.0"	2.0"	2.0"	2.0"	2.0"	2.0"	2.0"	2.0"	2.0"	2.0"	2.0"	2.0"	2.0"	2.0"	2.0"	2.0"	N/A	
		80	6.0"	5.0"	4.0"	4.0"	4.0"	3.0"	3.0"	3.0"	3.0"	3.0"	3.0"	3.0"	2.0"	2.0"	2.0"	2.0"	2.0"	2.0"	2.0"	2.0"	2.0"	2.0"	2.0"	2.0"	2.0"	2.0"	2.0"	N/A	N/A	N/A	N/A	
		85	5.0"	5.0"	4.0"	4.0"	4.0"	3.0"	3.0"	3.0"	3.0"	3.0"	3.0"	2.0"	2.0"	2.0"	2.0"	2.0"	2.0"	2.0"	2.0"	2.0"	2.0"	2.0"	2.0"	2.0"	N/A	N/A	N/A	N/A	N/A	N/A	N/A	N/A
		90	5.0"	5.0"	4.0"	4.0"	3.0"	3.0"	3.0"	3.0"	3.0"	2.0"	2.0"	2.0"	2.0"	2.0"	2.0"	2.0"	2.0"	2.0"	2.0"	2.0"	2.0"	2.0"	2.0"	N/A	N/A	N/A	N/A	N/A	N/A	N/A	N/A	N/A
		95	5.0"	4.0"	4.0"	4.0"	3.0"	3.0"	3.0"	3.0"	2.0"	2.0"	2.0"	2.0"	2.0"	2.0"	2.0"	2.0"	2.0"	2.0"	2.0"	2.0"	N/A	N/A	N/A	N/A	N/A	N/A	N/A	N/A	N/A	N/A	N/A	N/A
		100	5.0"	4.0"	4.0"	3.0"	3.0"	3.0"	3.0"	3.0"	2.0"	2.0"	2.0"	2.0"	2.0"	2.0"	2.0"	2.0"	2.0"	2.0"	2.0"	N/A	N/A	N/A	N/A	N/A	N/A	N/A	N/A	N/A	N/A	N/A	N/A	N/A
		105	5.0"	4.0"	4.0"	3.0"	3.0"	3.0"	3.0"	2.0"	2.0"	2.0"	2.0"	2.0"	2.0"	2.0"	2.0"	2.0"	2.0"	2.0"	2.0"	N/A	N/A	N/A	N/A	N/A	N/A	N/A	N/A	N/A	N/A	N/A	N/A	N/A
		110	4.0"	4.0"	3.0"	3.0"	3.0"	3.0"	3.0"	2.0"	2.0"	2.0"	2.0"	2.0"	2.0"	2.0"	2.0"	2.0"	2.0"	2.0"	N/A	N/A	N/A	N/A	N/A	N/A	N/A	N/A	N/A	N/A	N/A	N/A	N/A	N/A
		115	4.0"	4.0"	3.0"	3.0"	3.0"	3.0"	2.0"	2.0"	2.0"	2.0"	2.0"	2.0"	2.0"	2.0"	2.0"	N/A	N/A	N/A	N/A	N/A	N/A	N/A	N/A	N/A	N/A	N/A	N/A	N/A	N/A	N/A	N/A	N/A
		120	4.0"	4.0"	3.0"	3.0"	3.0"	3.0"	2.0"	2.0"	2.0"	2.0"	2.0"	2.0"	2.0"	2.0"	2.0"	N/A	N/A	N/A	N/A	N/A	N/A	N/A	N/A	N/A	N/A	N/A	N/A	N/A	N/A	N/A	N/A	N/A
		125	4.0"	4.0"	3.0"	3.0"	3.0"	2.0"	2.0"	2.0"	2.0"	2.0"	2.0"	2.0"	2.0"	2.0"	N/A	N/A	N/A	N/A	N/A	N/A	N/A	N/A	N/A	N/A	N/A	N/A	N/A	N/A	N/A	N/A	N/A	N/A
130	4.0"	3.0"	3.0"	3.0"	3.0"	2.0"	2.0"	2.0"	2.0"	2.0"	2.0"	2.0"	2.0"	2.0"	N/A	N/A	N/A	N/A	N/A	N/A	N/A	N/A	N/A	N/A	N/A	N/A	N/A	N/A	N/A	N/A	N/A	N/A		
WOOD	1/2" LAG BOLT OR ALL POINTS COMBO WITH MIN. 2-1/2" THREAD PENETRATION	30	12.0"	12.0"	12.0"	12.0"	12.0"	12.0"	12.0"	11.0"	11.0"	11.0"	10.0"	10.0"	10.0"	9.0"	9.0"	9.0"	8.0"	8.0"	8.0"	8.0"	7.0"	7.0"	7.0"	7.0"	6.0"	6.0"	6.0"	6.0"	6.0"			
		35	12.0"	12.0"	12.0"	12.0"	12.0"	12.0"	11.0"	11.0"	11.0"	10.0"	10.0"	10.0"	9.0"	9.0"	8.0"	8.0"	8.0"	8.0"	7.0"	7.0"	7.0"	7.0"	6.0"	6.0"	6.0"	6.0"	6.0"	6.0"	6.0"	6.0"	6.0"	
		40	12.0"	12.0"	12.0"	12.0"	12.0"	11.0"	10.0"	10.0"	10.0"	9.0"	9.0"	8.0"	8.0"	8.0"	8.0"	7.0"	7.0"	7.0"	7.0"	6.0"	6.0"	6.0"	6.0"	6.0"	6.0"	5.0"	5.0"	5.0"	5.0"	5.0"	5.0"	5.0"
		45	12.0"	12.0"	12.0"	12.0"	11.0"	10.0"	10.0"	9.0"	9.0"	8.0"	8.0"	8.0"	7.0"	7.0"	7.0"	6.0"	6.0"	6.0"	6.0"	6.0"	6.0"	5.0"	5.0"	5.0"	5.0"	5.0"	5.0"	5.0"	5.0"	5.0"	5.0"	5.0"
		50	12.0"	12.0"	12.0"	11.0"	10.0"	9.0"	9.0"	8.0"	8.0"	8.0"	7.0"	7.0"	7.0"	6.0"	6.0"	6.0"	6.0"	6.0"	5.0"	5.0"	5.0"	5.0"	5.0"	5.0"	5.0"	5.0"	4.0"	4.0"	4.0"	4.0"	4.0"	4.0"
		55	12.0"	12.0"	11.0"	10.0"	9.0"	9.0"	8.0"	8.0"	8.0"	7.0"	7.0"	7.0"	6.0"	6.0"	6.0"	6.0"	5.0"	5.0"	5.0"	5.0"	5.0"	5.0"	5.0"	4.0"	4.0"	4.0"	4.0"	4.0"	4.0"	4.0"	4.0"	4.0"
		60	12.0"	11.0"	10.0"	10.0"	9.0"	8.0"	8.0"	7.0"	7.0"	7.0"	6.0"	6.0"	6.0"	6.0"	5.0"	5.0"	5.0"	5.0"	5.0"	5.0"	4.0"	4.0"	4.0"	4.0"	4.0"	4.0"	4.0"	4.0"	4.0"	4.0"	4.0"	4.0"
		65	12.0"	11.0"	10.0"	9.0"	8.0"	8.0"	7.0"	7.0"	6.0"	6.0"	6.0"	6.0"	5.0"	5.0"	5.0"	5.0"	5.0"	5.0"	4.0"	4.0"	4.0"	4.0"	4.0"	4.0"	4.0"	4.0"	4.0"	4.0"	4.0"	4.0"	4.0"	4.0"
		70	11.0"	10.0"	9.0"	9.0"	8.0"	8.0"	7.0"	7.0"	6.0"	6.0"	6.0"	6.0"	5.0"	5.0"	5.0"	5.0"	5.0"	4.0"	4.0"	4.0"	4.0"	4.0"	4.0"	4.0"	4.0"	4.0"	4.0"	4.0"	4.0"	4.0"	4.0"	4.0"
		75	11.0"	10.0"	9.0"	8.0"	7.0"	7.0"	7.0"	6.0"	6.0"	6.0"	5.0"	5.0"	5.0"	5.0"	4.0"	4.0"	4.0"	4.0"	4.0"	4.0"	4.0"	4.0"	4.0"	4.0"	4.0"	4.0"	4.0"	4.0"	4.0"	4.0"	4.0"	4.0"
		80	10.0"	9.0"	8.0"	8.0"	7.0"	7.0"	6.0"	6.0"	6.0"	5.0"	5.0"	5.0"	5.0"	4.0"	4.0"	4.0"	4.0"	4.0"	4.0"	4.0"	4.0"	4.0"	4.0"	4.0"	4.0"	4.0"	4.0"	4.0"	4.0"	4.0"	4.0"	4.0"
		85	10.0"	9.0"	8.0"	7.0"	7.0"	6.0"	6.0"	6.0"	5.0"	5.0"	5.0"	5.0"	4.0"	4.0"	4.0"	4.0"	4.0"	4.0"	4.0"	4.0"	4.0"	4.0"	4.0"	4.0"	4.0"	4.0"	4.0"	4.0"	4.0"	4.0"	4.0"	4.0"
		90	10.0"	9.0"	8.0"	7.0"	7.0"	6.0"	6.0"	5.0"	5.0"	5.0"	4.0"	4.0"	4.0"	4.0"	4.0"	4.0"	4.0"	4.0"	4.0"	4.0"	4.0"	4.0"	4.0"	4.0"	4.0"	4.0"	4.0"	4.0"	4.0"	4.0"	4.0"	4.0"
		95	9.0"	8.0"	7.0"	7.0"	6.0"	6.0"	5.0"	5.0"	5.0"	5.0"	4.0"	4.0"	4.0"	4.0"	4.0"	4.0"	4.0"	4.0"	4.0"	4.0"	4.0"	4.0"	4.0"	4.0"	4.0"	4.0"	4.0"	4.0"	4.0"	4.0"	4.0"	4.0"
		100	9.0"	8.0"	7.0"	7.0"	6.0"	6.0"	5.0"	5.0"	5.0"	5.0"	4.0"	4.0"	4.0"	4.0"	4.0"	4.0"	4.0"	4.0"	4.0"	4.0"	4.0"	4.0"	4.0"	4.0"	4.0"	4.0"	4.0"	4.0"	4.0"	4.0"	4.0"	4.0"
		105	9.0"	8.0"	7.0"	6.0"	6.0"	5.0"	5.0"	5.0"	5.0"	4.0"	4.0"	4.0"	4.0"	4.0"	4.0"	4.0"	4.0"	4.0"	4.0"	4.0"	4.0"	4.0"	4.0"	4.0"	4.0"	4.0"	4.0"	4.0"	4.0"	4.0"	4.0"	4.0"
		110	8.0"	7.0"	7.0"	6.0"	6.0"	5.0"	5.0"	5.0"	5.0"	4.0"	4.0"	4.0"	4.0"	4.0"	4.0"	4.0"	4.0"	4.0"	4.0"	4.0"	4.0"	4.0"	4.0"	4.0"	4.0"	4.0"	4.0"	4.0"	4.0"	4.0"	4.0"	4.0"
		115	8.0"	7.0"	6.0"	6.0"	5.0"	5.0"	5.0"	4.0"	4.0"	4.0"	4.0"	4.0"	4.0"	4.0"	4.0"	4.0"	4.0"	4.0"	4.0"	4.0"	4.0"	4.0"	4.0"	4.0"	4.0"	4.0"	4.0"	4.0"	4.0"	4.0"	4.0"	4.0"
		120	8.0"	7.0"	6.0"	6.0"	5.0"	5.0"	5.0"	4.0"	4.0"	4.0"	4.0"	4.0"	4.0"	4.0"	4.0"	4.0"	4.0"	4.0"	4.0"	4.0"	4.0"	4.0"	4.0"	4.0"	4.0"	4.0"	4.0"	4.0"	4.0"	4.0"	4.0"	4.0"
		125	7.0"	7.0"	6.0"	6.0"	5.0"	5.0"	4.0"	4.0"	4.0"	4.0"	4.0"	4.0"	4.0"	4.0"	4.0"	4.0"	4.0"	4.0"	4.0"	4.0"	4.0"	4.0"	4.0"	4.0"	4.0"	4.0"	4.0"	4.0"	4.0"	4.0"	4.0"	4.0"
130	7.0"	6.0"	6.0"	5.0"	5.0"	5.0"	4.0"	4.0"	4.0"	4.0"	4.0"	4.0"	4.0"	4.0"	4.0"	4.0"	4.0"	4.0"	4.0"	4.0"	4.0"	4.0"	4.0"	4.0"	4.0"	4.0"	4.0"	4.0"	4.0"	4.0"	4.0"	4.0"		

HOST STRUCT.	ANCHOR TYPE	2 1/2" MIN EDGE DISTANCE																											
		SPANS 16' ≤ 16'-6"	SPANS 16'-7" ≤ 17'	SPANS 17' ≤ 17'-6"	SPANS 17'-7" ≤ 18'	SPANS 18' ≤ 18'-6"	SPANS 18'-7" ≤ 19'	SPANS 19' ≤ 19'-6"	SPANS 19'-7" ≤ 2																				

10/20/2017 - 3:08pm zachr V:\Projects\16-3080 Storm Catcher Wind Abatement System FL 11291-RAWP\2017 FBC Update\16-3080e-Dwg-11291.2.dwg

TABLE 23 - WOOD

**5/16" & 1/4" ULTRACONS  
STRAP BRACKET SPACING**



FRANK L. BENNARDO, P.E.  
PE# 0046549  
10/20/2017  
FRANK L. BENNARDO, P.E.  
46549

**ENGINEERING EXPRESS**  
CORPORATE OFFICE:  
160 SW 12th AVE, SUITE 106  
DEERFIELD BEACH, FL 33442  
P: (954) 354-0660 F: (954) 354-0443  
E: HELLO@ENGINEERINGEXPRESS.COM  
ENGINEERINGEXPRESS.COM  
CERT OF AUTH #9885

**STORM SMART INDUSTRIES, INC.**  
6182 IDLEWILD STREET  
FORT MYERS, FL  
(239) 938-1000  
STORM CATCHER WIND ABATEMENT SYSTEM FL11291.2 HVHZ  
FL

HOST STRUCT.	ANCHOR TYPE	3/4" MIN EDGE DISTANCE																																
		SPANS 0' ≤ 3'	SPANS 3' ≤ 3'-6"	SPANS 3'-7" ≤ 4'	SPANS 4' ≤ 4'-6"	SPANS 4'-7" ≤ 5'	SPANS 5' ≤ 5'-6"	SPANS 5'-7" ≤ 6'	SPANS 6' ≤ 6'-6"	SPANS 6'-7" ≤ 7'	SPANS 7' ≤ 7'-6"	SPANS 7'-7" ≤ 8'	SPANS 8' ≤ 8'-6"	SPANS 8'-7" ≤ 9'	SPANS 9' ≤ 9'-6"	SPANS 9'-7" ≤ 10'	SPANS 10' ≤ 10'-6"	SPANS 10'-7" ≤ 11'	SPANS 11' ≤ 11'-6"	SPANS 11'-7" ≤ 12'	SPANS 12' ≤ 12'-6"	SPANS 12'-7" ≤ 13'	SPANS 13' ≤ 13'-6"	SPANS 13'-7" ≤ 14'	SPANS 14' ≤ 14'-6"	SPANS 14'-7" ≤ 15'	SPANS 15' ≤ 15'-6"	SPANS 15'-7" ≤ 16'						
WOOD	5/16" ELCO ULTRACON HFH 1-1/2" THREAD PENETRATION	30	18.0"	18.0"	18.0"	17.0"	15.0"	15.0"	14.0"	13.0"	12.0"	12.0"	11.0"	11.0"	10.0"	10.0"	10.0"	9.0"	9.0"	8.0"	8.0"	8.0"	7.0"	7.0"	7.0"	7.0"	7.0"	7.0"	7.0"	7.0"				
		35	18.0"	18.0"	16.0"	15.0"	14.0"	13.0"	12.0"	12.0"	11.0"	10.0"	10.0"	10.0"	9.0"	9.0"	9.0"	8.0"	8.0"	8.0"	8.0"	7.0"	7.0"	7.0"	7.0"	7.0"	7.0"	7.0"	7.0"	7.0"	7.0"			
		40	18.0"	16.0"	15.0"	14.0"	13.0"	12.0"	11.0"	11.0"	10.0"	10.0"	9.0"	9.0"	8.0"	8.0"	8.0"	7.0"	7.0"	7.0"	7.0"	6.0"	6.0"	6.0"	6.0"	6.0"	6.0"	6.0"	6.0"	6.0"	6.0"	6.0"		
		45	17.0"	15.0"	14.0"	13.0"	12.0"	11.0"	10.0"	10.0"	9.0"	9.0"	8.0"	8.0"	8.0"	7.0"	7.0"	7.0"	6.0"	6.0"	6.0"	6.0"	6.0"	6.0"	6.0"	6.0"	5.0"	5.0"	5.0"	5.0"	5.0"	5.0"		
		50	15.0"	14.0"	13.0"	12.0"	11.0"	10.0"	10.0"	9.0"	9.0"	8.0"	8.0"	7.0"	7.0"	7.0"	6.0"	6.0"	6.0"	6.0"	6.0"	6.0"	6.0"	5.0"	5.0"	5.0"	5.0"	5.0"	5.0"	5.0"	5.0"	5.0"	5.0"	
		55	15.0"	13.0"	12.0"	11.0"	10.0"	9.0"	9.0"	8.0"	8.0"	8.0"	7.0"	7.0"	7.0"	6.0"	6.0"	6.0"	6.0"	6.0"	6.0"	5.0"	5.0"	5.0"	5.0"	5.0"	5.0"	5.0"	5.0"	5.0"	4.0"	4.0"	4.0"	
		60	14.0"	12.0"	11.0"	10.0"	10.0"	9.0"	8.0"	8.0"	7.0"	7.0"	7.0"	6.0"	6.0"	6.0"	6.0"	6.0"	6.0"	6.0"	5.0"	5.0"	5.0"	5.0"	5.0"	5.0"	5.0"	5.0"	4.0"	4.0"	4.0"	4.0"	4.0"	
		65	13.0"	12.0"	11.0"	10.0"	9.0"	8.0"	8.0"	7.0"	7.0"	7.0"	6.0"	6.0"	6.0"	6.0"	5.0"	5.0"	5.0"	5.0"	5.0"	5.0"	5.0"	4.0"	4.0"	4.0"	4.0"	4.0"	4.0"	4.0"	4.0"	4.0"	4.0"	
		70	12.0"	11.0"	10.0"	9.0"	9.0"	8.0"	7.0"	7.0"	7.0"	6.0"	6.0"	6.0"	6.0"	5.0"	5.0"	5.0"	5.0"	5.0"	5.0"	5.0"	4.0"	4.0"	4.0"	4.0"	4.0"	4.0"	4.0"	4.0"	4.0"	4.0"	4.0"	
		75	12.0"	10.0"	10.0"	9.0"	8.0"	8.0"	7.0"	7.0"	6.0"	6.0"	6.0"	6.0"	5.0"	5.0"	5.0"	5.0"	5.0"	5.0"	4.0"	4.0"	4.0"	4.0"	4.0"	4.0"	4.0"	4.0"	4.0"	4.0"	4.0"	4.0"	N/A	
		80	11.0"	10.0"	9.0"	8.0"	8.0"	7.0"	7.0"	6.0"	6.0"	6.0"	6.0"	5.0"	5.0"	5.0"	5.0"	5.0"	5.0"	4.0"	4.0"	4.0"	4.0"	4.0"	4.0"	4.0"	4.0"	4.0"	N/A	N/A	N/A	N/A	N/A	
		85	11.0"	10.0"	9.0"	8.0"	7.0"	7.0"	6.0"	6.0"	6.0"	6.0"	5.0"	5.0"	5.0"	5.0"	5.0"	5.0"	4.0"	4.0"	4.0"	4.0"	4.0"	4.0"	4.0"	4.0"	N/A	N/A	N/A	N/A	N/A	N/A	N/A	
		90	10.0"	9.0"	8.0"	8.0"	7.0"	7.0"	6.0"	6.0"	6.0"	5.0"	5.0"	5.0"	5.0"	4.0"	4.0"	4.0"	4.0"	4.0"	4.0"	4.0"	4.0"	N/A	N/A	N/A	N/A	N/A	N/A	N/A	N/A	N/A	N/A	
		95	10.0"	9.0"	8.0"	7.0"	7.0"	6.0"	6.0"	6.0"	5.0"	5.0"	5.0"	5.0"	4.0"	4.0"	4.0"	4.0"	4.0"	4.0"	4.0"	4.0"	N/A	N/A	N/A	N/A	N/A	N/A	N/A	N/A	N/A	N/A	N/A	
		100	10.0"	9.0"	8.0"	7.0"	7.0"	6.0"	6.0"	5.0"	5.0"	5.0"	5.0"	4.0"	4.0"	4.0"	4.0"	4.0"	4.0"	4.0"	4.0"	N/A	N/A	N/A	N/A	N/A	N/A	N/A	N/A	N/A	N/A	N/A	N/A	
		105	9.0"	8.0"	7.0"	7.0"	6.0"	6.0"	6.0"	5.0"	5.0"	5.0"	5.0"	4.0"	4.0"	4.0"	4.0"	4.0"	4.0"	4.0"	N/A	N/A	N/A	N/A	N/A	N/A	N/A	N/A	N/A	N/A	N/A	N/A	N/A	
		110	9.0"	8.0"	7.0"	7.0"	6.0"	6.0"	5.0"	5.0"	5.0"	5.0"	4.0"	4.0"	4.0"	4.0"	4.0"	4.0"	4.0"	N/A	N/A	N/A	N/A	N/A	N/A	N/A	N/A	N/A	N/A	N/A	N/A	N/A	N/A	
		115	9.0"	8.0"	7.0"	6.0"	6.0"	6.0"	5.0"	5.0"	5.0"	4.0"	4.0"	4.0"	4.0"	4.0"	4.0"	N/A	N/A	N/A	N/A	N/A	N/A	N/A	N/A	N/A	N/A	N/A	N/A	N/A	N/A	N/A	N/A	
		120	8.0"	7.0"	7.0"	6.0"	6.0"	5.0"	5.0"	5.0"	5.0"	4.0"	4.0"	4.0"	4.0"	4.0"	N/A	N/A	N/A	N/A	N/A	N/A	N/A	N/A	N/A	N/A	N/A	N/A	N/A	N/A	N/A	N/A	N/A	
		125	8.0"	7.0"	6.0"	6.0"	5.0"	5.0"	5.0"	5.0"	4.0"	4.0"	4.0"	4.0"	4.0"	4.0"	N/A	N/A	N/A	N/A	N/A	N/A	N/A	N/A	N/A	N/A	N/A	N/A	N/A	N/A	N/A	N/A	N/A	
		130	8.0"	7.0"	6.0"	6.0"	5.0"	5.0"	5.0"	4.0"	4.0"	4.0"	4.0"	4.0"	4.0"	N/A	N/A	N/A	N/A	N/A	N/A	N/A	N/A	N/A	N/A	N/A	N/A	N/A	N/A	N/A	N/A	N/A	N/A	
				3/4" MIN EDGE DISTANCE																														
				30	18.0"	18.0"	18.0"	16.0"	15.0"	14.0"	13.0"	13.0"	12.0"	11.0"	11.0"	10.0"	10.0"	10.0"	9.0"	9.0"	9.0"	8.0"	8.0"	8.0"	8.0"	7.0"	7.0"	7.0"	7.0"	7.0"	7.0"	7.0"	7.0"	
				35	18.0"	17.0"	16.0"	15.0"	14.0"	13.0"	12.0"	12.0"	11.0"	10.0"	10.0"	9.0"	9.0"	9.0"	8.0"	8.0"	8.0"	8.0"	7.0"	7.0"	7.0"	7.0"	6.0"	6.0"	6.0"	6.0"	6.0"	6.0"	6.0"	6.0"
				40	18.0"	16.0"	15.0"	13.0"	12.0"	11.0"	10.0"	10.0"	9.0"	9.0"	8.0"	8.0"	8.0"	7.0"	7.0"	7.0"	7.0"	6.0"	6.0"	6.0"	6.0"	6.0"	6.0"	6.0"	6.0"	6.0"	6.0"	6.0"	6.0"	6.0"
				45	16.0"	15.0"	13.0"	12.0"	11.0"	11.0"	10.0"	10.0"	9.0"	9.0"	8.0"	8.0"	8.0"	7.0"	7.0"	7.0"	7.0"	6.0"	6.0"	6.0"	6.0"	6.0"	6.0"	5.0"	5.0"	5.0"	5.0"	5.0"	5.0"	5.0"
				50	15.0"	14.0"	12.0"	11.0"	10.0"	9.0"	9.0"	8.0"	8.0"	7.0"	7.0"	7.0"	6.0"	6.0"	6.0"	6.0"	6.0"	6.0"	6.0"	6.0"	5.0"	5.0"	5.0"	5.0"	5.0"	5.0"	5.0"	5.0"	5.0"	5.0"
				55	14.0"	13.0"	12.0"	11.0"	10.0"	9.0"	9.0"	8.0"	8.0"	7.0"	7.0"	7.0"	6.0"	6.0"	6.0"	6.0"	6.0"	5.0"	5.0"	5.0"	5.0"	5.0"	5.0"	5.0"	5.0"	5.0"	5.0"	4.0"	4.0"	4.0"
		60	13.0"	12.0"	11.0"	10.0"	9.0"	9.0"	8.0"	8.0"	7.0"	7.0"	6.0"	6.0"	6.0"	6.0"	6.0"	5.0"	5.0"	5.0"	5.0"	5.0"	5.0"	5.0"	5.0"	5.0"	5.0"	4.0"	4.0"	4.0"	4.0"	4.0"		
		65	13.0"	11.0"	10.0"	10.0"	9.0"	8.0"	8.0"	7.0"	7.0"	6.0"	6.0"	6.0"	6.0"	5.0"	5.0"	5.0"	5.0"	5.0"	5.0"	5.0"	4.0"	4.0"	4.0"	4.0"	4.0"	4.0"	4.0"	4.0"	4.0"	4.0"		
		70	12.0"	11.0"	10.0"	9.0"	8.0"	8.0"	7.0"	7.0"	6.0"	6.0"	6.0"	5.0"	5.0"	5.0"	5.0"	5.0"	5.0"	5.0"	4.0"	4.0"	4.0"	4.0"	4.0"	4.0"	4.0"	4.0"	4.0"	4.0"	4.0"	4.0"		
		75	11.0"	10.0"	9.0"	9.0"	8.0"	7.0"	7.0"	6.0"	6.0"	6.0"	5.0"	5.0"	5.0"	5.0"	5.0"	5.0"	4.0"	4.0"	4.0"	4.0"	4.0"	4.0"	4.0"	4.0"	4.0"	4.0"	4.0"	4.0"	N/A	N/A		
		80	11.0"	10.0"	9.0"	8.0"	8.0"	7.0"	7.0"	6.0"	6.0"	6.0"	5.0"	5.0"	5.0"	5.0"	5.0"	5.0"	4.0"	4.0"	4.0"	4.0"	4.0"	4.0"	4.0"	4.0"	4.0"	N/A	N/A	N/A	N/A	N/A		
		85	10.0"	9.0"	9.0"	8.0"	7.0"	7.0"	6.0"	6.0"	6.0"	5.0"	5.0"	5.0"	5.0"	5.0"	5.0"	4.0"	4.0"	4.0"	4.0"	4.0"	4.0"	4.0"	4.0"	N/A	N/A	N/A	N/A	N/A	N/A	N/A		
		90	10.0"	9.0"	8.0"	8.0"	7.0"	7.0"	6.0"	6.0"	6.0"	5.0"	5.0"	5.0"	5.0"	4.0"	4.0"	4.0"	4.0"	4.0"	4.0"	4.0"	4.0"	4.0"	N/A	N/A	N/A	N/A	N/A	N/A	N/A	N/A		
		95	10.0"	9.0"	8.0"	7.0"	7.0"	6.0"	6.0"	6.0"	5.0"	5.0"	5.0"	4.0"	4.0"	4.0"	4.0"	4.0"	4.0"	4.0"	N/A	N/A	N/A	N/A	N/A	N/A	N/A	N/A	N/A	N/A	N/A	N/A		
		100	9.0"	8.0"	8.0"	7.0"	6.0"	6.0"	6.0"	5.0"	5.0"	5.0"	4.0"	4.0"	4.0"	4.0"	4.0"	4.0"	4.0"	N/A	N/A	N/A	N/A	N/A	N/A	N/A	N/A	N/A	N/A	N/A	N/A	N/A		
		105	9.0"	8.0"	7.0"	7.0"	6.0"	6.0"	5.0"	5.0"	5.0"	4.0"	4.0"	4.0"	4.0"	4.0"	4.0"	4.0"	N/A	N/A	N/A	N/A	N/A	N/A	N/A	N/A	N/A	N/A	N/A	N/A	N/A	N/A		
		110	9.0"	8.0"	7.0"	7.0"	6.0"	6.0"	5.0"	5.0"	5.0"	4.0"	4.0"	4.0"	4.0"	4.0"	4.0"	N/A	N/A	N/A	N/A	N/A	N/A	N/A	N/A	N/A	N/A	N/A	N/A	N/A	N/A	N/A		
		115	8.0"	8.0"	7.0"	6.0"	6.0"	5.0"	5.0"	5.0"	5.0"	4.0"	4.0"	4.0"	4.0"	4.0"	N/A	N/A	N/A	N/A	N/A	N/A	N/A	N/A	N/A	N/A	N/A	N/A	N/A	N/A	N/A	N/A		
		120	8.0"	7.0"	7.0"	6.0"	6.0"	5.0"	5.0"	5.0"	4.0"	4.0"	4.0"	4.0"	4.0"	N/A	N/A	N/A	N/A	N/A	N/A	N/A	N/A	N/A	N/A	N/A	N/A	N/A	N/A	N/A	N/A	N/A		
		125	8.0"	7.0"	6.0"	6.0"	5.0"	5.0"	5.0"	5.0"	4.0"	4.0"	4.0"	4.0"	4.0"	N/A	N/A	N/A	N/A	N/A	N/A	N/A	N/A	N/A	N/A	N/A	N/A	N/A	N/A	N/A	N/A	N/A		
		130	8.0"	7.0"	6.0"	6.0"	5.0"	5.0"	5.0"	4.0"	4.0"	4.0"	4.0"	4.0"	N/A	N/A	N/A	N/A	N/A	N/A	N/A	N/A	N/A	N/A	N/A	N/A	N/A	N/A	N/A	N/A	N/A	N/A		

NOTES:  
1. THE SPACING ON THIS CHART APPLIES ONLY TO THE INSTALLATION OF STRAP BRACKETS.

REMARKS: INIT ISSUE

DRWN: RWN  
CHKD: FLB  
DATE: 10/18/17

THIS DOCUMENT IS THE PROPERTY OF ENGINEERING EXPRESS, AND SHALL NOT BE REPRODUCED IN WHOLE OR PART WITHOUT WRITTEN CONSENT OF ENGINEERING EXPRESS. ALTERATIONS, ADDITIONS, OR OTHER MARKINGS TO THIS DOCUMENT ARE NOT PERMITTED AND INVALIDATE OUR CERTIFICATION.

COPYRIGHT ENGINEERING EXPRESS ©

16-3080

SCALE: NTS UNLESS NOTED

32











