

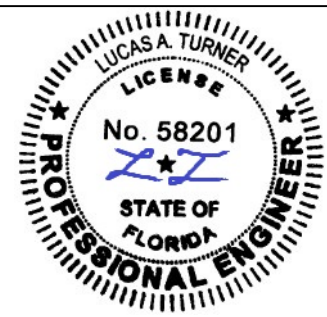
MODEL DESIGNATION: Simonton Impact Resistant End Vent Slider Series 42-19 Vinyl Window

MAXIMUM OVERALL NOMINAL SIZE: Single up to 96" x 48"

DESIGN PRESSURE RATING: Positive: 45.0 PSF
Negative: 45.0 PSF

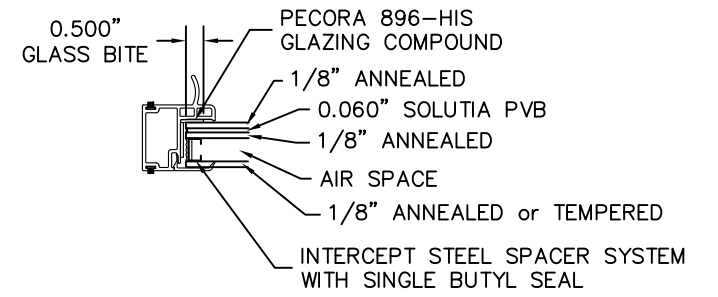
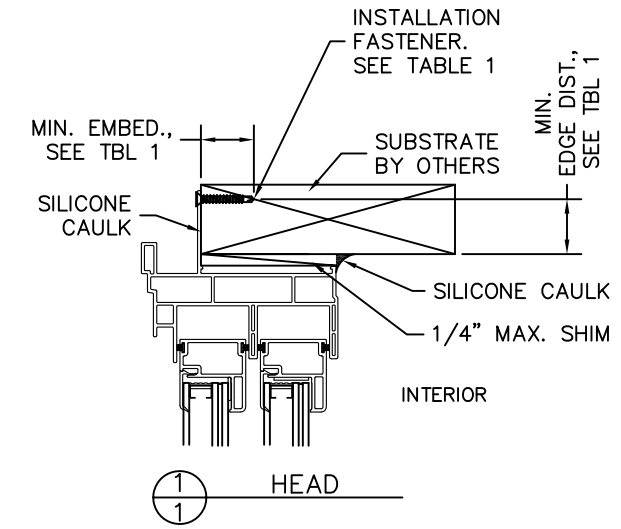
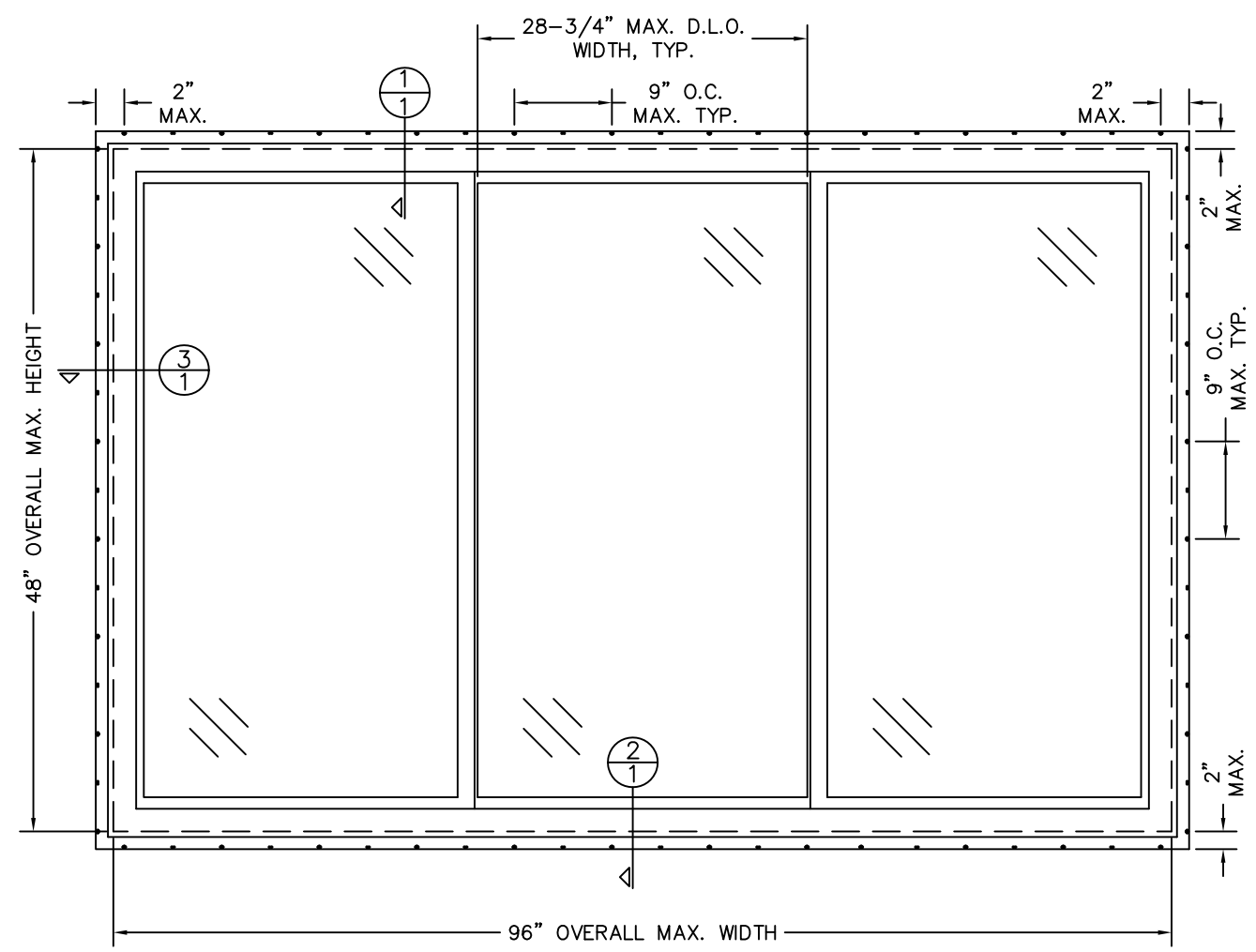
USABLE CONFIGURATIONS: XOX 1/3-1/3-1/3

GENERAL DESCRIPTION: The head, sill, and side jambs are extruded PVC. The wall thickness through which the anchor screw penetrates is a minimum of 0.070".



12/06/2020
LUCAS A. TURNER, P.E.
FL PE # 58201
TURNER ENGINEERING & CONSULTING, INC.
(COA # 29779)
2428 OLD NATCHEZ TRACE TRAIL, CAMDEN, TN 38320
PH. 941-380-1574

REV. #	REVISIONS:	REVISED BY:	DATE:
1	ADDED 1X INSTALLATION	L.A.T.	01/31/15
2	ADDED TEMPERED OPTION	LMH	03/03/16
3	UPDATED FOR 7TH EDITION 2020 FBC.	LMH	12/06/20
.	.	.	.
.	.	.	.



7/8" INSULATED ANNEALED/TEMPERED IMPACT GLASS WITH 0.060" PVB INTERLAYER

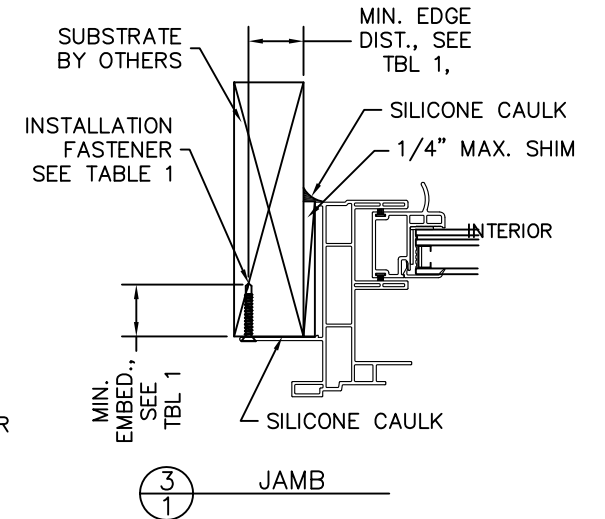
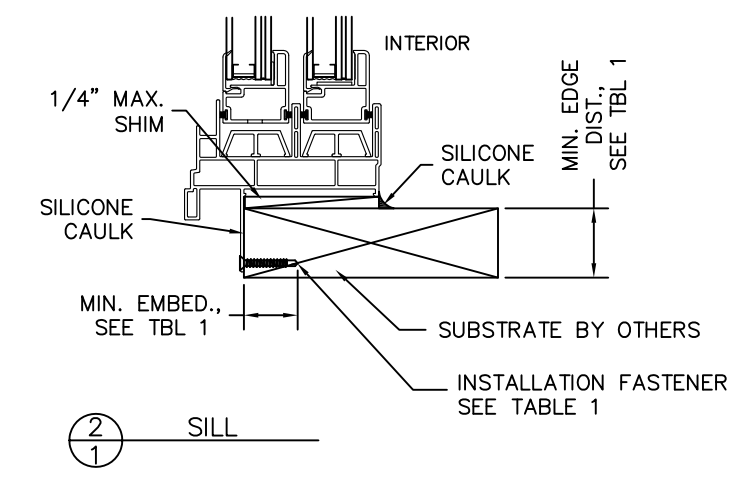


TABLE 1: FIN INSTALLATION FASTENERS TABLE

ID	SUBSTRATE TYPE	ANCHOR TYPE	MIN. EMBED.	MIN. EDGE DISTANCE
ANCHOR THROUGH FIN:				
A	2X MIN. SOUTHERN PINE WOOD (G=0.55)	#6 WOOD SCREW	1"	3/8"

DISCLOSURE STATEMENT
This document is the property of Simonton Windows, which retains all proprietary and other rights to its subject matter. This document is provided to the recipient on the expressed condition that it is not to be disclosed, reproduced in whole or part, nor used in conjunction with the design, manufacture or repair of goods for anyone other than Simonton Windows without its consent. This restriction does not limit the recipient's rights to utilize information contained in this document which is properly obtained from another source.

FILE: FL 10160

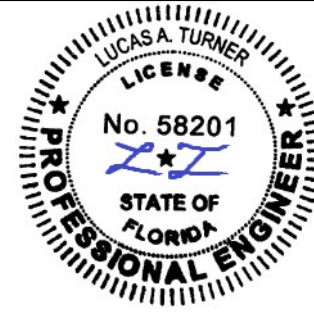
MATERIAL:	
RMS FINISH:	EXCEPT AS NOTED
ALLOY & TEMPER:	
WEIGHT:	VOLUME:
SURFACE AREA:	PERIMETER:
FINISH TREATMENT:	

Dimensional Tolerances Unless Otherwise Specified

Decimals	Angles
.X ± .03	0° 30 min.
.XX ± .01	
.XXX ± .005	

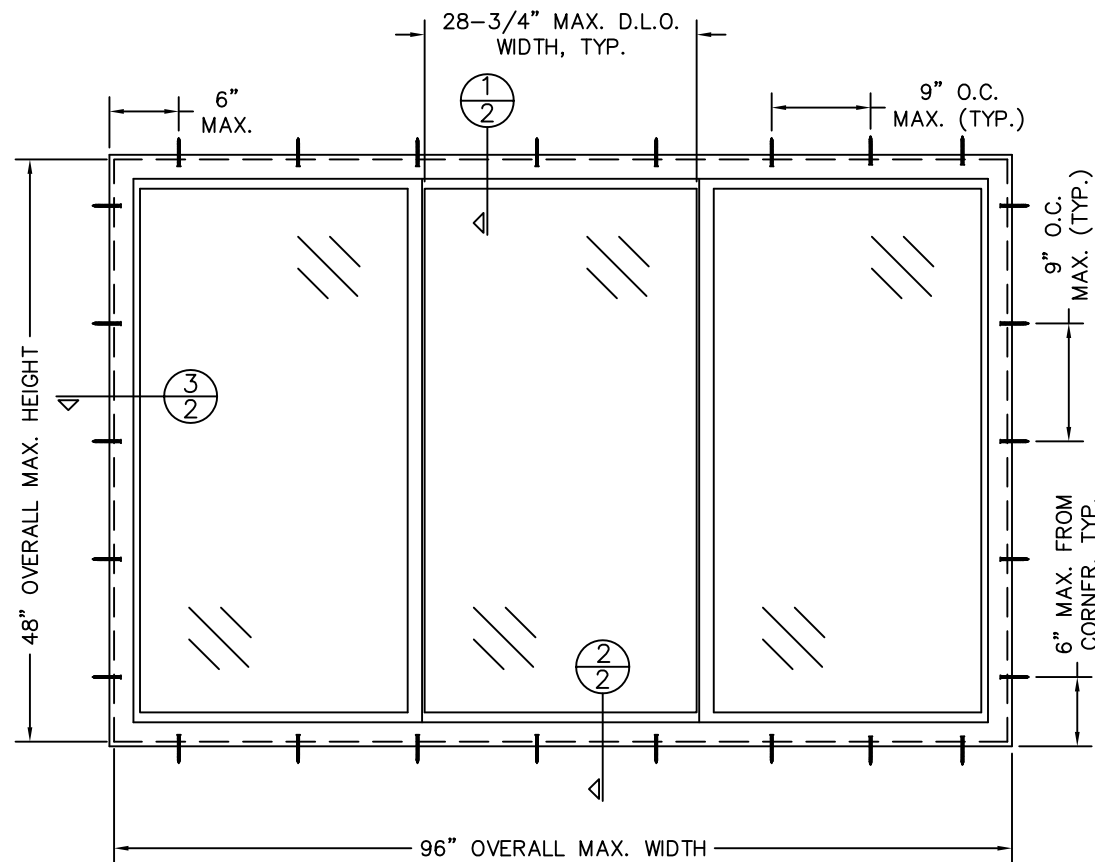
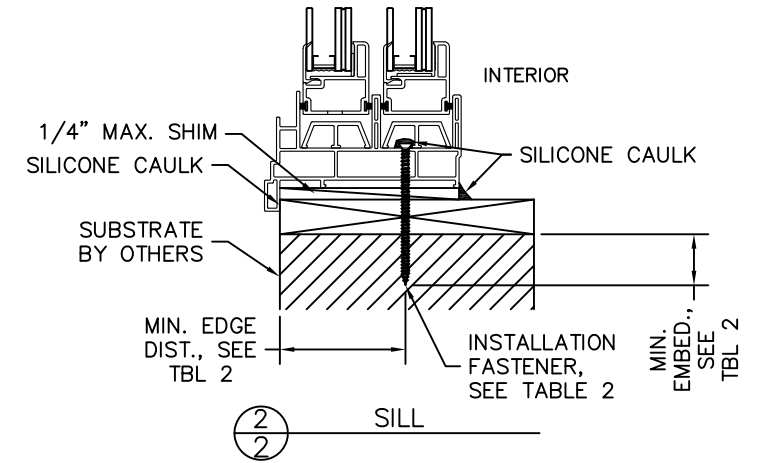
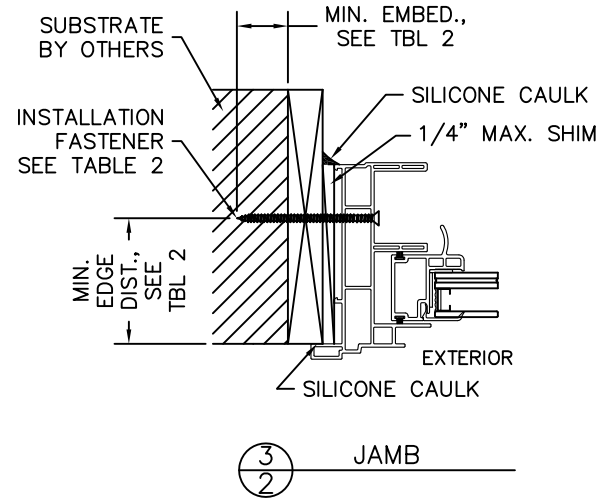
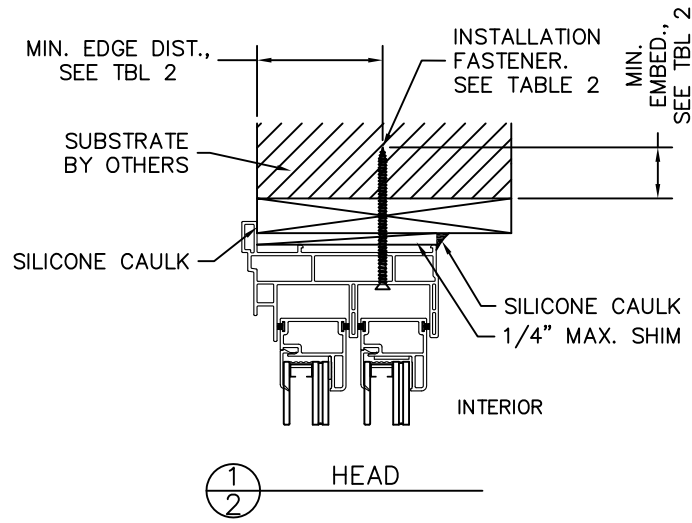
SIMONTON WINDOWS
1 Cochrane Avenue
Pennsboro, WV 26415

SIZE: B	DRAWING NO.: IN0546	REV.: 3
SCALE: FIT	SHEET: 1 of 1	APPR'VD BY: DATE:
SERIES: 42-19 IMPACT RESISTANT ENDVENT SLIDER	DRAWN BY: T.D.D. DATE: 04/19/12	
TITLE: THROUGH-FIN 2X BUCK INSTALLATION		



12/06/2020
 LUCAS A. TURNER, P.E.
 FL PE # 58201
 TURNER ENGINEERING &
 CONSULTING, INC.
 (COA # 29779)
 2428 OLD NATCHEZ TRACE
 TRAIL, CAMDEN, TN 38320
 PH. 941-380-1574

REV. #	REVISIONS:	REVISED BY:	DATE:
1	ADDED 1X INSTALLATION	L.A.T.	01/31/15
2	UPDATED TABLE 2. ADDED NOTES 15-17. ADDED TEST REPORT TO NOTE 14.	LMH	03/03/16
3	UPDATED FOR 7TH EDITION 2020 FBC.	LMH	12/06/20
.	.	.	.
.	.	.	.



NOTES:

1. THIS INSTALLATION HAS BEEN EVALUATED FOR USE IN LOCATIONS ADHERING TO THE TEXAS & FLORIDA BUILDING CODES AND WHERE PRESSURE REQUIREMENTS AS DETERMINED BY ASCE 7 MINIMUM DESIGN LOADS FOR BUILDINGS AND OTHER STRUCTURES DO NOT EXCEED THE DESIGN PRESSURE RATINGS HEREIN, FOR USE OUTSIDE THE H.V.H.Z.
2. ALL INTERIOR PERIMETER SURFACES AND EXTERIOR FINIS AND BRICKMOLDS OF THE WINDOW MUST BE CAULKED.
3. ANCHOR TYPE, SIZE, SPACING, AND EMBEDMENT SHALL BE AS SPECIFIED IN THESE DRAWINGS.
4. ANCHOR EMBEDMENT TO SUBSTRATE SHALL BE BEYOND WALL DRESSING OR STUCCO. FIN INSTALLATIONS TO CONCRETE/MASONRY OPENINGS REQUIRE THE USE OF 2X WOOD BUCKS BETWEEN PRODUCT AND SUBSTRATE, WITH PRODUCT INSTALLATION TO 2X BUCK AS INDICATED ON SHEET 1. FOR FLANGE INSTALLATIONS TO CONCRETE/CMU OPENINGS, EMBEDMENT SHALL BE BEYOND WOOD BUCKS, IF USED, AND INTO SUBSTRATE, SEE SHEET 2. FLANGE INSTALLATIONS TO SOLID CONCRETE OR GROUT-FILLED CMU MAY INCLUDE BUT DO NOT REQUIRE 1X WOOD BUCKS BETWEEN PRODUCT AND SUBSTRATE. FLANGE INSTALLATIONS TO HOLLOW CMU REQUIRE THE USE OF 1X BUCKS BETWEEN PRODUCT AND SUBSTRATE.
5. WOOD OR MASONRY OPENINGS, BUCKS, AND BUCK FASTENERS, BY OTHERS, SHALL BE PROPERLY DESIGNED AND INSTALLED TO TRANSFER WIND LOADS TO THE STRUCTURE. SUBSTRATES SHALL MEET THE MINIMUM STRENGTH REQUIREMENTS AS SHOWN IN TABLE 1, THIS SHEET, AND TABLE 2, SHEET 2.
6. THE RESPONSIBILITY FOR SELECTION OF SIMONTON PRODUCTS TO MEET ANY APPLICABLE LOCAL LAWS, BUILDING CODES, ORDINANCES, OR OTHER SAFETY REQUIREMENTS RESTS SOLELY WITH THE ARCHITECT, BUILDING OWNER, OR CONTRACTOR.
7. SHIMS ARE REQUIRED WHERE GAPS OF GREATER THAN 1/16" EXIST BETWEEN OPENING AND FRAME. MAX. SHIM STACK IS 1/4". SHIMS SHALL BE LOAD-BEARING AND CAPABLE OF TRANSFERRING LOADS TO THE SUBSTRATE.
8. WHEN USED IN AREAS REQUIRING IMPACT PROTECTION CONFORMING TO MISSILE LEVEL C, WIND ZONE 2, THIS PRODUCT DOES NOT REQUIRE THE USE OF APPROVED IMPACT RESISTANT SHUTTERS OR OTHER EXTERNAL PROTECTION.
9. SEALING AND FLASHING BY OTHERS SHOULD BE APPLIED USING THE ASTM E 2112 METHODOLOGY APPROPRIATE FOR THE OPENING INTO WHICH THE DOOR IS BEING INSTALLED. OVERALL WATER PENETRATION RESISTANCE OF THE INSTALLED PRODUCT IS THE RESPONSIBILITY OF OTHERS.
10. GLAZING SHALL COMPLY WITH ASTM E 1300.
11. A MINIMUM CENTER-TO-CENTER SPACING OF 3" SHALL BE MAINTAINED BETWEEN ALL ELCO ULTRACONS IN ANY DIRECTION.
12. ALL FASTENERS PENETRATING INTO PRESSURE TREATED WOOD SHALL BE CAPABLE OF PREVENTING CORROSION DUE TO REACTION WITH PRESSURE TREATMENT CHEMICALS. ANY DISSIMILAR MATERIALS THAT COME INTO CONTACT SHALL BE PROTECTED TO PREVENT REACTIONS IN ACCORDANCE WITH CODE REQUIREMENTS.
13. A WIND LOAD DURATION FACTOR $C_d = 1.6$ WAS USED FOR THE ANALYSIS OF WOOD SCREWS ONLY.
14. WINDOWS SHALL BE CONSTRUCTED AS SPECIFIED IN TEST REPORTS B7595.01-501-47-RI, A6990.01-501-47-R0 AND E0147.01-109-R0 BY ARCHITECTURAL TESTING, INC.
15. FOR INSTALLATION TO METAL SUBSTRATES, ANCHORS SHALL BE LONG ENOUGH TO BE FULLY THREADED THROUGH THE METAL THICKNESS WITH AN ADDITIONAL 3/16" MIN. OF THREADS BEYOND.
16. USE A BACKER ROD ON ALL JOINTS >3/4" DEEP AND/OR WIDER THAN 1/4". FINISHED CAULK JOINT SHOULD BE A MINIMUM OF 3/8" DEEP.

TABLE 2: 1X INSTALLATION FASTENERS TABLE

ID	SUBSTRATE TYPE	ANCHOR TYPE	MIN. EMBED	MIN. EDGE DIST.
A	CONCRETE (2.85 KSI MIN.)	3/16" ELCO ULTRACON	1"	1"
B	HOLLOW OR GROUT-FILLED CMU (ASTM C90)	3/16" ELCO ULTRACON	1-1/4"	2 1/2"
C	1/8" ALUM. 6063-T5 MIN. OR 1/8" STEEL 36 KSI MIN.	#10 GRADE 5 SELF-TAPPING/DRILLING SCREW	SEE NOTE 15	1/2"

DISCLOSURE STATEMENT		MATERIAL:		Dimensional Tolerances Unless Otherwise Specified		SIMONTON® WINDOWS		SIZE: DRAWING NO.:	REV.:
This document is the property of Simonton Windows, which retains all proprietary and other rights to its subject matter. This document is provided to the recipient on the expressed condition that it is not to be disclosed, reproduced in whole or part, nor used in conjunction with the design, manufacture or repair of goods for anyone other than Simonton Windows without its consent. This restriction does not limit the recipient's rights to utilize information contained in this document which is properly obtained from another source.		RMS FINISH:		Decimals Angles		1 Cochrane Avenue Pennsboro, WV 26415		B	3
		ALLOY & TEMPER:	EXCEPT AS NOTED					IN0546	
		WEIGHT:	VOLUME:	.X ± .03		SCALE: FIT	SHEET: 2 of 2	DRAWN BY: T.D.D.	DATE: 04/19/12
		SURFACE AREA:	PERIMETER:	.XX ± .01	0° 30 min.	CHECKED BY:	DATE:	APPR'VD BY:	DATE:
		FINISH TREATMENT:		.XXX ± .005		SERIES: 42-19 IMPACT RESISTANT ENDVENT SLIDER			
FILE: FL 10160						TITLE: NOTES, THROUGH-FRAME 1X BUCK INSTALLATION			