

MODEL DESIGNATION: Simonton Horizontal EndVent Series 07-09 / 07-10 / 07-20 Vinyl Impact Window

MAXIMUM OVERALL NOMINAL SIZE: Single up to 113" x 63"

DESIGN PRESSURE RATING: Positive: 50.0 PSF
Negative: 50.0 PSF

USABLE CONFIGURATIONS: XOx (Quarter / Half / Quarter)

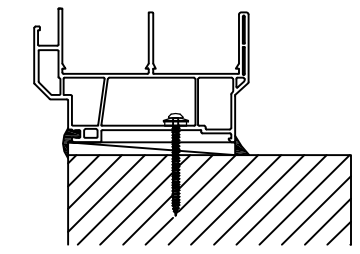
GENERAL DESCRIPTION: The head, sill, and side jambs are extruded PVC. The wall thickness through which the anchor screw penetrates is a minimum of 0.070".



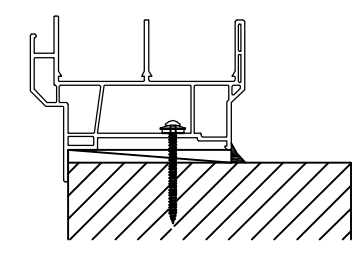
27
2/1/2017
LUCAS A. TURNER, P.E.
FL PE # 58201
TURNER ENGINEERING & CONSULTING, INC.
(COA # 29779)
1239 JABARA AVE.
NORTH PORT, FL 34288
PH. 941-380-1574

REV. #:	REVISIONS:	REVISED BY:	DATE:

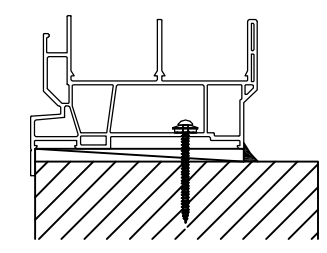
QUALIFIED FRAME TYPES:



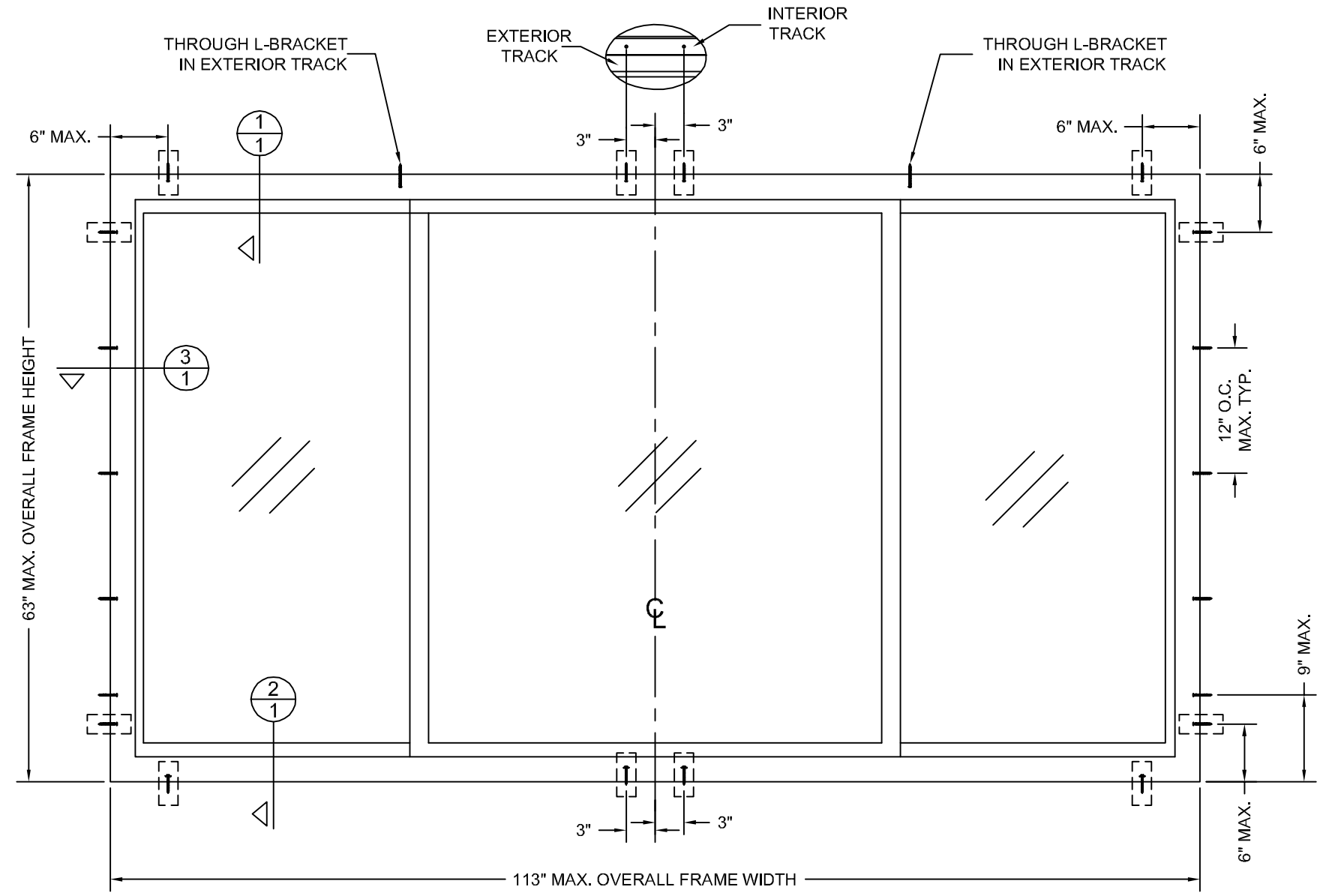
07-09 FRAME EQUAL LEG (FOR ANCHORAGE SEE SHEET 3)



07-10 FRAME WITH INTEGRAL MASONRY FLANGE (ANCHORAGE SIMILAR TO 07-09, SEE SHEET 3)



07-20 FRAME WITH INTEGRAL NAILING FIN (REMOVED) & J-CANNEL (ANCHORAGE SIMILAR TO 07-09, SEE SHEET 3)



--- INSTALLATION HOLE PRE-DRILLED BY MANUFACTURER

DISCLOSURE STATEMENT
This document is the property of Simonton Windows, which retains all proprietary and other rights to its subject matter. This document is provided to the recipient on the expressed condition that it is not to be disclosed, reproduced in whole or part, nor used in conjunction with the design, manufacture or repair of goods for anyone other than Simonton Windows without its consent. This restriction does not limit the recipient's rights to utilize information contained in this document which is properly obtained from another source.

FILE: IN0586

MATERIAL:	
RMS FINISH:	EXCEPT AS NOTED
ALLOY & TEMPER:	
WEIGHT:	VOLUME:
SURFACE AREA:	PERIMETER:
FINISH TREATMENT:	

Dimensional Tolerances Unless Otherwise Specified	
Decimals	Angles
.X ± .03	0° 30 min.
.XX ± .01	
.XXX ± .005	

SIMONTON
WINDOWS
1 Cochrane Avenue
Pennsboro, WV 26415

SIZE: B	DRAWING NO.: IN0586	REV.: -
DRAWN BY: T.D.D./LMH	DATE: 01/11/17	
CHECKED BY:	DATE:	
SCALE: FIT	SHEET: 1 of 4	APPRV'D BY: DATE:
SERIES: 07-09 / 07-10 / 07-20 IMPACT HORIZONTAL ENDVENT		
TITLE: 1X BUCK INSTALLATION - QHQ		

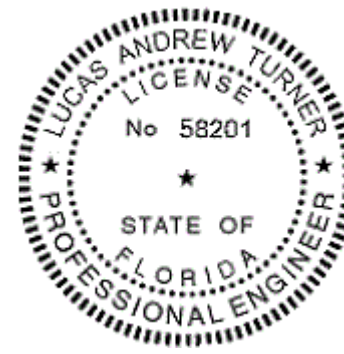
MODEL DESIGNATION: Simonton Horizontal EndVent Series 07-09 / 07-10 / 07-20 Vinyl Impact Window

MAXIMUM OVERALL NOMINAL SIZE: Single up to 113" x 63"

DESIGN PRESSURE RATING: Positive: 50.0 PSF
Negative: 50.0 PSF

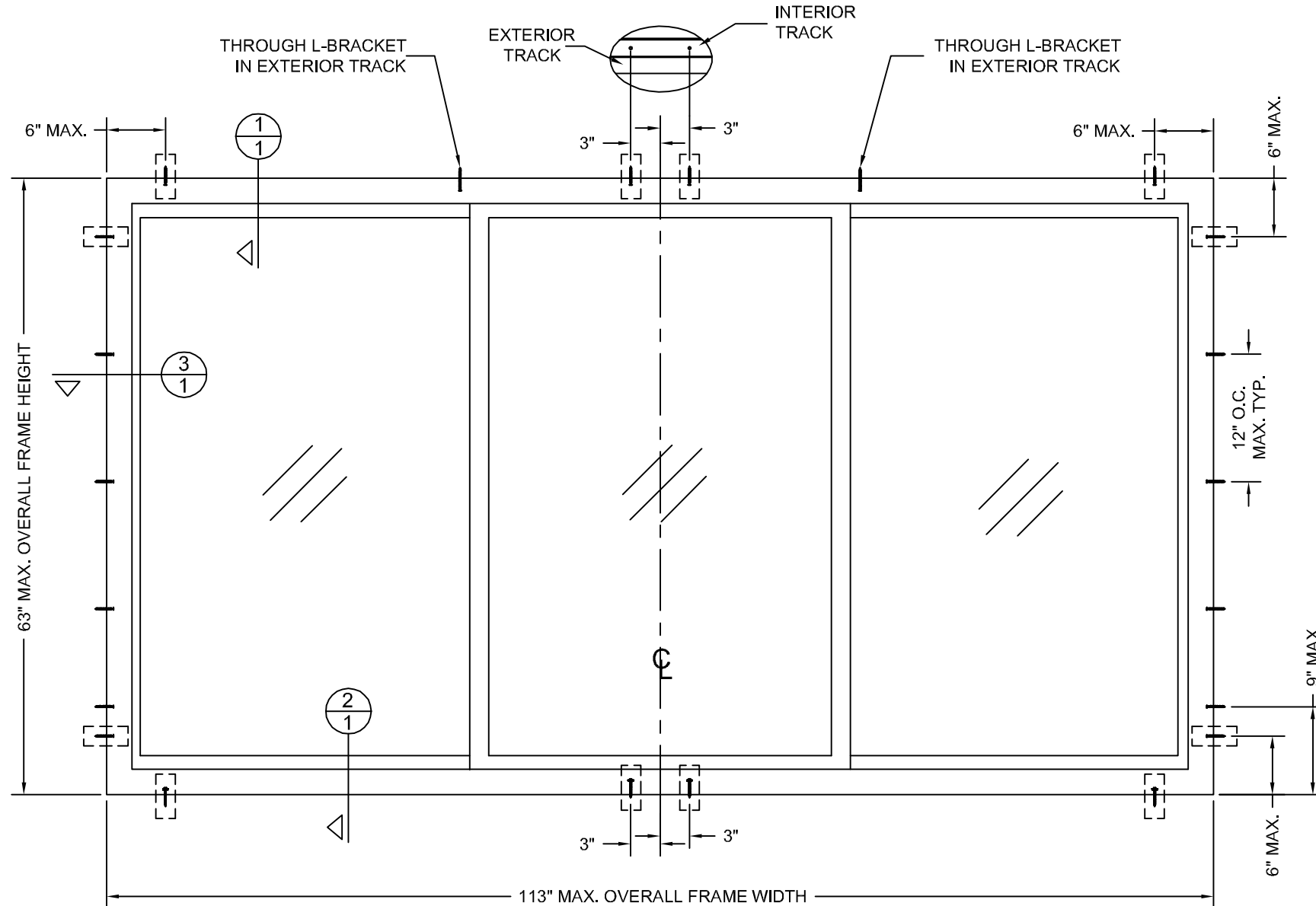
USABLE CONFIGURATIONS: XOX (Equal Lites)

GENERAL DESCRIPTION: The head, sill, and side jambs are extruded PVC. The wall thickness through which the anchor screw penetrates is a minimum of 0.070".

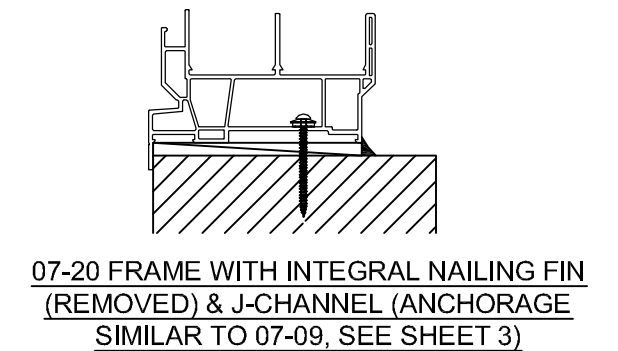
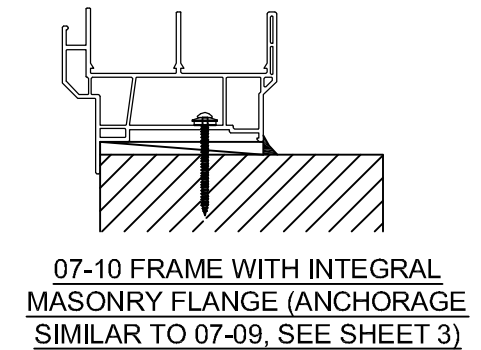
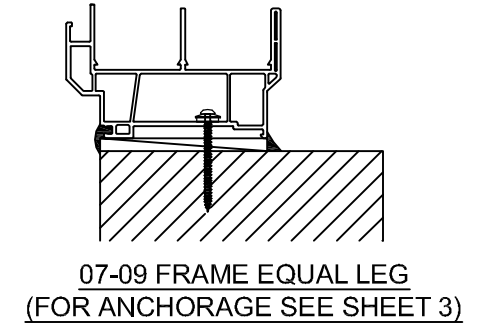


LT
2/1/2017
LUCAS A. TURNER, P.E.
FL PE # 58201
TURNER ENGINEERING & CONSULTING, INC.
(COA # 29779)
1239 JABARA AVE.
NORTH PORT, FL 34288
PH. 941-380-1574

REV. #:	REVISIONS:	REVISED BY:	DATE:



QUALIFIED FRAME TYPES:



--- INSTALLATION HOLE PRE-DRILLED BY MANUFACTURER

DISCLOSURE STATEMENT
This document is the property of Simonton Windows, which retains all proprietary and other rights to its subject matter. This document is provided to the recipient on the expressed condition that it is not to be disclosed, reproduced in whole or part, nor used in conjunction with the design, manufacture or repair of goods for anyone other than Simonton Windows without its consent. This restriction does not limit the recipient's rights to utilize information contained in this document which is properly obtained from another source.

FILE: IN0586

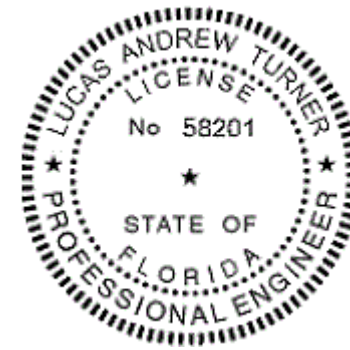
MATERIAL:	
RMS FINISH:	EXCEPT AS NOTED
ALLOY & TEMPER:	
WEIGHT:	VOLUME:
SURFACE AREA:	PERIMETER:
FINISH TREATMENT:	

Dimensional Tolerances Unless Otherwise Specified

Decimals	Angles
.X ± .03	0° 30 min.
.XX ± .01	
.XXX ± .005	

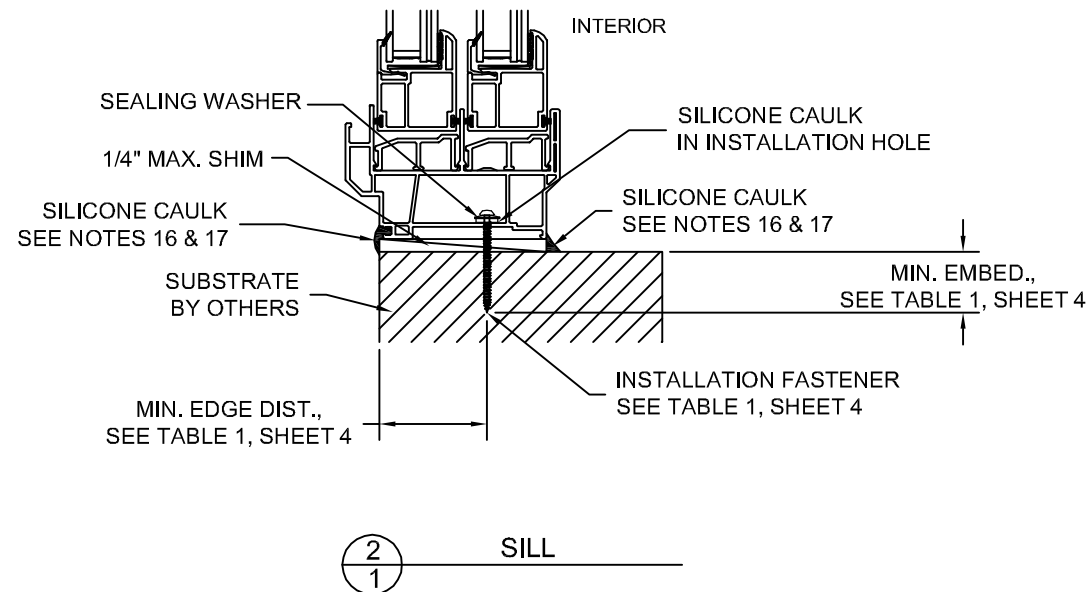
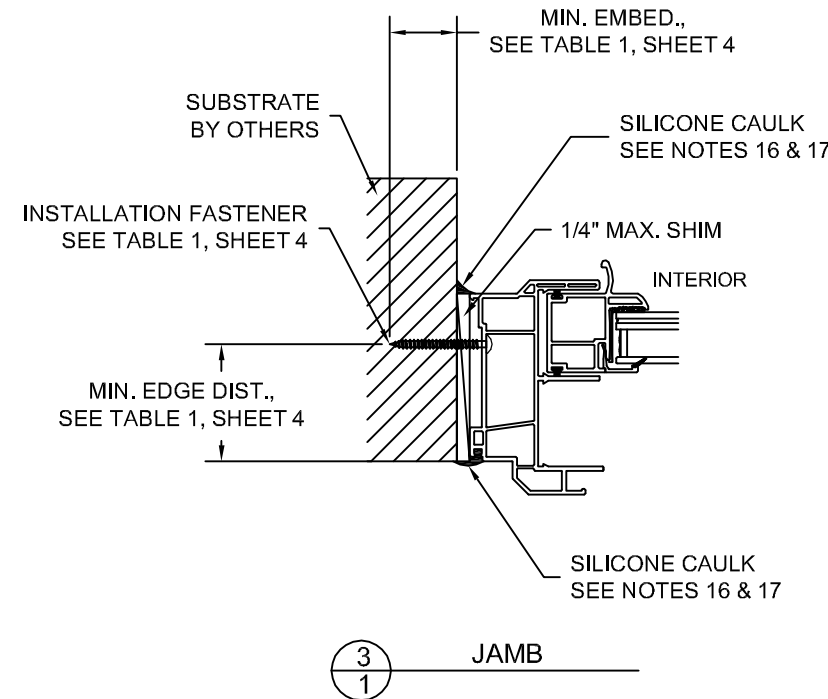
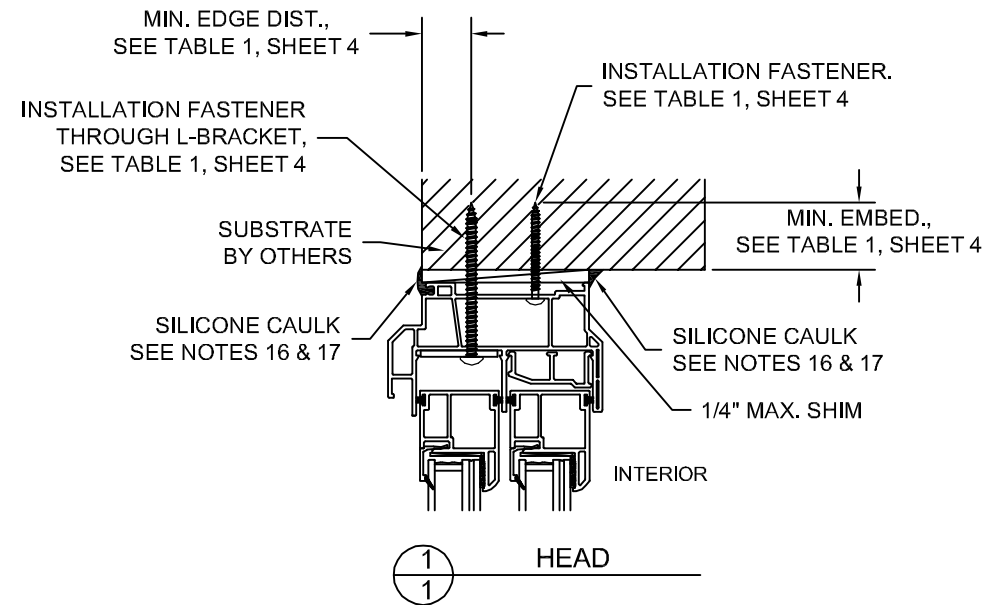
SIMONTON
WINDOWS
1 Cochrane Avenue
Pennsboro, WV 26415

SIZE: B	DRAWING NO.: IN0586	REV.: -
DRAWN BY: T.D.D./LMH	DATE: 01/11/17	
CHECKED BY:	DATE:	
SCALE: FIT	SHEET: 2 of 4	APPR'D BY: DATE:
SERIES: 07-09 / 07-10 / 07-20 IMPACT HORIZONTAL ENDVENT		
TITLE: 1X BUCK INSTALLATION - EQ		

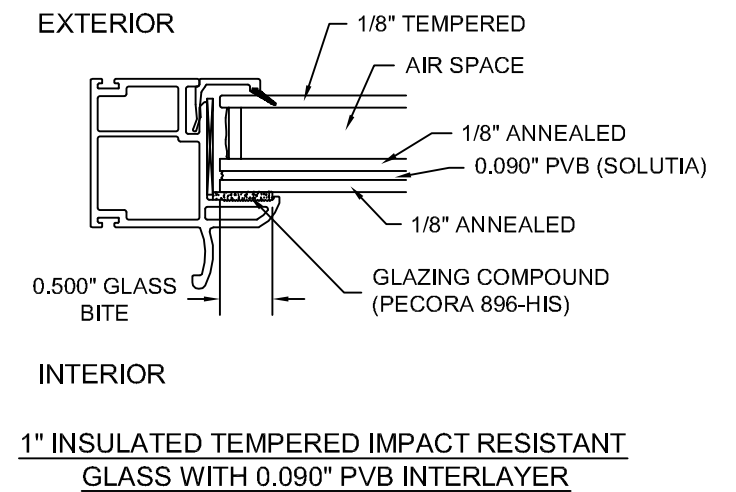


22
 2/1/2017
 LUCAS A. TURNER, P.E.
 FL PE # 58201
 TURNER ENGINEERING &
 CONSULTING, INC.
 (COA # 29779)
 1239 JABARA AVE.
 NORTH PORT, FL 34288
 PH. 941-380-1574

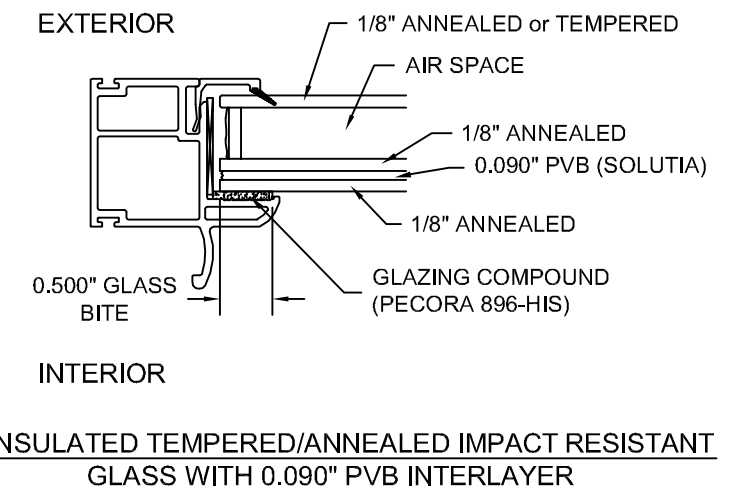
REV. #:	REVISIONS:	REVISED BY:	DATE:



XOX - Quarter / Half / Quarter



XOX - Equal



DISCLOSURE STATEMENT
 This document is the property of Simonton Windows, which retains all proprietary and other rights to its subject matter. This document is provided to the recipient on the expressed condition that it is not to be disclosed, reproduced in whole or part, nor used in conjunction with the design, manufacture or repair of goods for anyone other than Simonton Windows without its consent. This restriction does not limit the recipient's rights to utilize information contained in this document which is properly obtained from another source.

MATERIAL:	
RMS FINISH:	EXCEPT AS NOTED
ALLOY & TEMPER:	
WEIGHT:	VOLUME:
SURFACE AREA:	PERIMETER:
FINISH TREATMENT:	

Dimensional Tolerances Unless Otherwise Specified	
Decimals	Angles
.X ± .03	0° 30 min.
.XX ± .01	
.XXX ± .005	

 1 Cochrane Avenue Pennsboro, WV 26415	SIZE: B	DRAWING NO.: IN0586	REV.: -
	SCALE: FIT	SHEET: 3 of 4	APPR'D BY: DATE:
SERIES: 07-09 / 07-10 / 07-20 IMPACT HORIZONTAL ENDVENT	DRAWN BY: T.D.D./LMH DATE: 01/11/17		
TITLE: ANCHOR & GLAZING DETAILS	CHECKED BY: DATE:		



22

2/1/2017
 LUCAS A. TURNER, P.E.
 FL PE # 58201
 TURNER ENGINEERING &
 CONSULTING, INC.
 (COA # 29779)
 1239 JABARA AVE.
 NORTH PORT, FL 34288
 PH. 941-380-1574

REV. #:	REVISIONS:	REVISED BY:	DATE:

NOTES:

1. This installation has been evaluated for use in locations adhering to the Texas & Florida Building Codes and where pressure requirements as determined by ASCE 7 Minimum Design Loads for Buildings and Other Structures do not exceed the design pressure ratings herein, for use outside the H.V.H.Z.
2. All interior and exterior perimeter surfaces of the window must be caulked.
3. Anchor type, size, spacing, and embedment shall be as specified in these drawings.
4. Anchor embedment to substrate shall be beyond wall dressing or stucco. For concrete/CMU openings embedment shall be beyond wood bucks, if used, and into substrate. Installations to solid concrete or grout-filled CMU may include but do not require 1x wood bucks between product and substrate. Installations to hollow CMU require the use of 1x bucks between product and substrate.
5. Wood or masonry openings, bucks, and buck fasteners, by others, shall be properly designed and installed to transfer wind loads to the structure. Substrates shall meet the minimum strength requirements as shown in Table 1, this sheet. Concrete or masonry substrates shall not be cracked.
6. The responsibility for selection of Simonton products to meet any applicable local laws, building codes, ordinances, or other safety requirements rests solely with the architect, building owner, or contractor.
7. Shims are required where gaps of greater than 1/16" exist between opening and frame. Max. shim stack is 1/4". Shims shall be load-bearing and capable of transferring loads to the substrate.
8. When used in areas requiring impact protection, this product DOES NOT REQUIRE the use of approved impact resistant shutters or other external protection.
9. Sealing and flashing by others should be applied using the ASTM E 2112 methodology appropriate for the opening into which the door is being installed. Overall water penetration resistance of the installed product is the responsibility of others.
10. Glazing shall comply with ASTM E 1300-04 and safety glazing requirements per FBC Section 2406.
11. For installation to metal substrates, anchors shall be long enough to be fully threaded through the metal thickness with an additional 3/16" min. of threads beyond.
12. A minimum center-to-center spacing of 2-1/4" shall be maintained between all Elco Ultracons in any direction.
13. All fasteners penetrating into pressure treated wood shall be capable of preventing corrosion due to reaction with pressure treatment chemicals. Any dissimilar materials that come into contact shall be protected to prevent reactions in accordance with code requirements.
14. A wind load duration factor Cd = 1.6 was used for the analysis of wood screws only.
15. Windows shall be constructed as specified in test reports SIMO-028-03-04-r0, SIMO-28-03-02-r0, SIMO-028-03-01-r0 & SIMO-032-03-01-r0 by PRI Construction Materials Technologies.
16. Use 100% pure silicone caulk compliant with AAMA 808 Section 5 - Sealant Specifications for use with Architectural Fenestration Products. Make sure surfaces are completely free from all old caulk, damaged wood, wood fibers, grease, oil dirt, rust, mold or similar contaminants. Vacuum and clean opening surfaces completely. A fully primed surface is recommended, but not required. Cleaning of all surfaces should be done the same day of which the silicone caulk is to applied. For more details visit Simonton.com.
17. Caulk application: recommended air and surface temperatures at the time of application are to be between 40 and 90 degrees F. Insure all contact surfaces are clean and dry including the new window(s). Use a backer rod on all joints >3/4" deep and/or wider than 1/4". Finished caulk joint should be a minimum of 3/8" deep and make full contact with both the new window and structural opening surfaces. Silicone caulk should be forced into joint or compressed to assure full contact on both surfaces and to expel any air pockets.
18. Designation "X" and "O" stand for the following:
 X: Operable Panel O: Fixed Panel

TABLE 1: INSTALLATION FASTENERS TABLE

ID	SUBSTRATE TYPE	ANCHOR TYPE	MIN. EMBED	MIN. EDGE DIST.
A	CONCRETE (2.85 KSI MIN.)	3/16" ELCO ULTRACON	1-3/4"	1"
B	HOLLOW OR GROUT-FILLED CMU (ASTM C90)	3/16" ELCO ULTRACON	1-1/4"	2 1/2"
C	16 GAUGE (0.060") MIN. STEEL STUD, 33KSI YIELD MIN.	#10-16 ITW TEKS SELF-DRILLING SCREW	SEE NOTE 11	1/2"
D	1/8" ALUM. 6063-T5 MIN. OR 1/8" STEEL 36 KSI MIN.	#10 GRADE 5 SELF-TAPPING/ DRILLING SCREW	SEE NOTE 11	1/2"

<p style="text-align: center;">DISCLOSURE STATEMENT</p> <p style="font-size: small;">This document is the property of Simonton Windows, which retains all proprietary and other rights to its subject matter. This document is provided to the recipient on the expressed condition that it is not to be disclosed, reproduced in whole or part, nor used in conjunction with the design, manufacture or repair of goods for anyone other than Simonton Windows without its consent. This restriction does not limit the recipient's rights to utilize information contained in this document which is properly obtained from another source.</p> <p>FILE: IN0586</p>	MATERIAL:	Dimensional Tolerances Unless Otherwise Specified Decimals Angles .X ± .03 .XX ± .01 .XXX ± .005 0° 30 min.	SIMONTON W I N D O W S 1 Cochrane Avenue Pennsboro, WV 26415	SIZE: DRAWING NO.:	REV.:	
	RMS FINISH:			B	IN0586	-
	ALLOY & TEMPER:			DRAWN BY:	DATE:	01/11/17
	WEIGHT:			VOLUME:	CHECKED BY:	DATE:
SURFACE AREA:	PERIMETER:	APPRV'D BY:	DATE:	SCALE: FIT	SHEET: 4 of 4	
FINISH TREATMENT:	SERIES: 07-09 / 07-10 / 07-20 IMPACT HORIZONTAL ENDVENT		TITLE: NOTES & INSTALL ANCHOR TABLE			