



Metal Roof Certification & Listing Program

Certification Report



11030-012-KCI

145 Limekiln Road, Suite 100B
New Cumberland, PA 17070
www.keystonecerts.com

Issue Dated: 11/10/2020
Revision Date: 11/10/2020
Expiration Date: 11/10/2025

Construction Specifications Institute (CSI) Category:

Division: 07 00 00 – Thermal & Moisture Protection

Section: 07 41 13 – Metal roof and wall panels

1. Program Licensee:



1st Coast Metal Roofing Supply
186 SR 207
East Palatka, FL 32131
386-325-0242
<http://www.1stcoastmrs.com/>

2. Certified Roof Covering:

1st Coast Metal Roofing Supply's Model Armour Loc HVHZ, 0.032" Alum Armour Loc - 1" Nailstrip non-structural metal roof panels installed over plywood sheathing roof deck for use in new construction, re-roofing and re-covering applications.

3. Scope of Certification:

This Certification Report provides technical data substantiating that the use of the certified roof covering and the evaluated roof systems are in compliance with the following for use inside and outside the HVHZ:

- 2020 Florida Building Code - Building, 7th Edition, Section 1504.3.2 and 1518.9.1
- Florida Product Approval Rule 61G20-3.

Properties Evaluated:

- Wind Uplift Resistance
- Wind-Driven Rain
- Physical Properties

This Certification Report was used to qualify
[Florida Product Approval FL 35255](#).

4. Evaluated Roof System Description:

4.1. Roof Covering: Armour Loc metal roof panels are 16" wide, cold roll-formed from ASTM B209 minimum uncoated 0.030", 23 ksi aluminum sheet. The panels are Fluoropon coated and shall be installed in accordance with the manufacturer's instructions and this Certification Report.

4.2. Roof Deck: Armour Loc HVHZ metal roof panels are certified for use over solid or closely-spaced, minimum nominal 15/32" B-C 4 Ply Plywood sheathing complying with 2020 Florida Building Code - Building, 7th Edition, Section 2303.1.5 with an HVHZ minimum slope of 2:12 with lap sealant, and non-HVHZ minimum slope of ½:12 with lap sealant, 3:12 without lap sealant.

4.3. Anchorage: Armour Loc HVHZ metal roof panels shall be attached to the roof deck using #10 x 1" Panclip fasteners. The fastener spacing is as described in Table 1 and Appendix 1.

4.4. Underlayment: Armour Loc HVHZ metal roof panels in new construction applications shall be installed over underlayment meeting the applicable material type and attachment details specified in 2020 Florida Building Code - Building, 7th Edition Table 1507.1.1.1., the manufacturer's installation instructions and this Certification Report.



Metal Roof Certification & Listing Program

Certification Report

11030-012-KCI



4.5. Installation

Armour Loc HVHZ metal roof panels in new construction applications shall be installed in accordance with the 2020 Florida Building Code - Building, 7th Edition, Section 1507.4, the manufacturer’s published installation instructions and this Certification Report. The installation of edge metal and flashings shall be in accordance with RAS 111.

Armour Loc HVHZ metal roof panels in re-roofing and re-covering applications may be installed over a single layer of existing asphalt shingles and shall be installed in accordance with the 2020 Florida Building Code - Building, 7th Edition, Section 1521 (HVHZ) or Sections 1507.4 & 1511 (non-HVHZ), the manufacturer’s published installation instructions and this Certification Report. The installation of edge metal and flashings shall be in accordance with RAS 111.

The manufacturer’s installation instructions shall be made available at the time of installation. If there are differences between this report and the manufacturer’s installation instructions, this report shall take precedence.

5. Product Performance

The performance of the Armour Loc HVHZ metal roof panels described in this Certification Report has been determined in accordance with:

- TAS 125-03, *Standard Requirements for Metal Roofing Systems.*
- TAS 100-95, *Test Procedure for Wind and Wind Driven Rain Resistance of Discontinuous Roof Systems.*
- TAS 110-2000, *Standard Requirements for Physical Properties of Roof Membranes, Insulation Materials, Membrane Coatings and Other Roof Components.*

As tested & reported by the following independent accredited laboratories:

Laboratory	Report Ref.
Intertek - signed and sealed by Vinu Abraham, PE	L1965.01-450-44 R1 L1965.02-450-44 R1
PRI Construction Materials Technologies - signed and sealed by Zachary R. Priest, PE	VLS-004-02-01 VLS-005-02-01

5.1. Wind Resistance

The allowable design uplift pressures for Armour Loc HVHZ metal roof panels anchored as described in Table 1 and illustrated in Appendix 1, when tested in accordance with the referenced standards with an applied safety factor of 2.0 are found in Table 1.

Table 1

Description	Anchor Pattern	Clip Spacing	Max Design Uplift Pressure
Over 15/32” 4 Ply CDX Plywood	Field	At 3” from Edge, 6” Max O.C.	-175 psf
Over 15/32” 4 Ply CDX Plywood	Perimeter / Corner	At 3” from Edge, 6” Max O.C.	-175 psf



Metal Roof Certification & Listing Program

Certification Report

11030-012-KCI



6. Conditions of Use

Armour Loc HVHZ metal roof panels must be insulated against other materials or metals including concrete, lead, copper and treated lumber that contains corrosive materials.

7. Limitations of Use

Armour Loc HVHZ metal roof panels are qualified for use inside and outside the High Velocity Hurricane Zone (HVHZ).

Fire classification, shear diaphragm design, roof deck design & attachment to supporting members are not within the scope of this Certification Report.

Roof support framing shall comply with 2020 Florida Building Code - Building, 7th Edition, Chapter 22 for steel, Chapter 23 for wood and Chapter 16 for structural loading.

8. Licensed Manufacturing Facilities

This Certification Report is applicable only Armour Loc HVHZ metal roof panels manufactured at the following locations:

1st Coast Metal Roofing Supply 186 State Rd 207 East Palatka, Florida 32131

Each licensed facility is subject to periodic inspection by Keystone Certifications to verify conformance with Keystone Roof Covering Certification & Listing Program requirements.

9. Identification

Armour Loc HVHZ metal roof panels represented by this report shall be identified with Keystone Roof Covering Certification & Listing Program certification labeling illustrated below, to be applied to individual panels, packaging, invoicing or bills of lading:

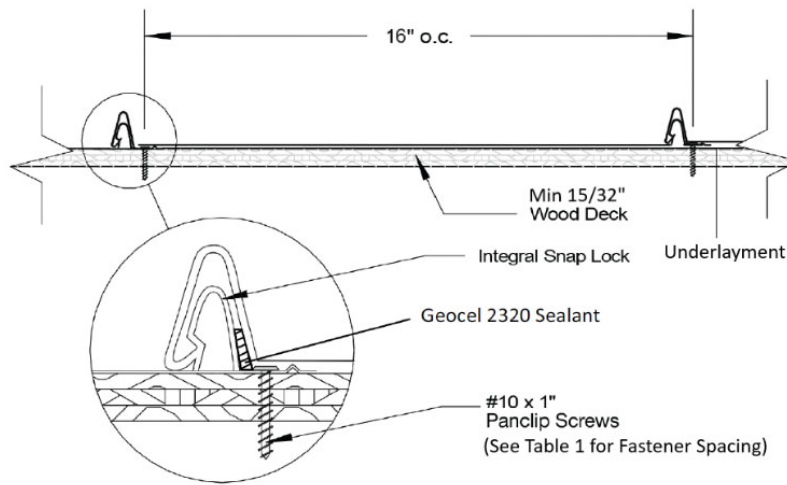


Aaron M. Shultz
Validation Manager

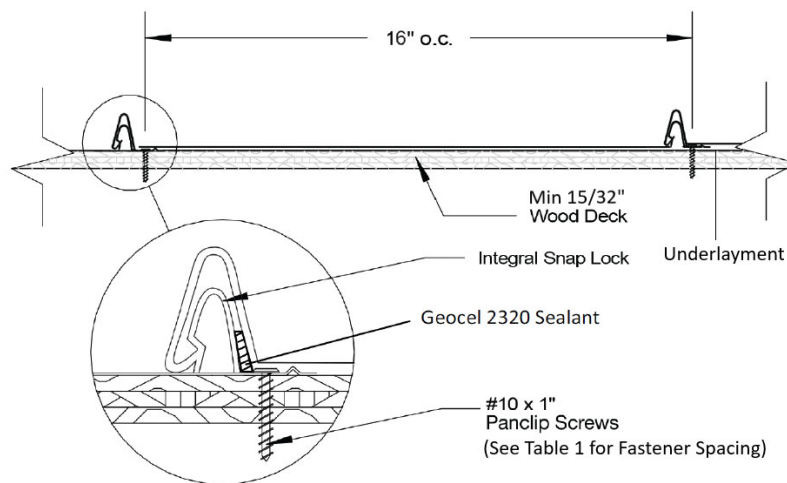
Appendix 1

Note: In all cases (new construction, re-roofing and re-covering), the clips anchors shall fully penetrate the plywood roof deck (as applicable).

Field Anchor Pattern



Perimeter-Corner Anchor Pattern





Metal Roof Certification & Listing Program

Certification Report

11030-012-KCI



145 Limekiln Road, Suite 100B
New Cumberland, PA 17070
www.keystonecerts.com

Issue Dated: 11/10/2020
Revision Date: 11/10/2020
Expiration Date: 11/10/2025

Certificate Revisions

Rev #	Date	Description
0	10/23/2020	Initial issuance.