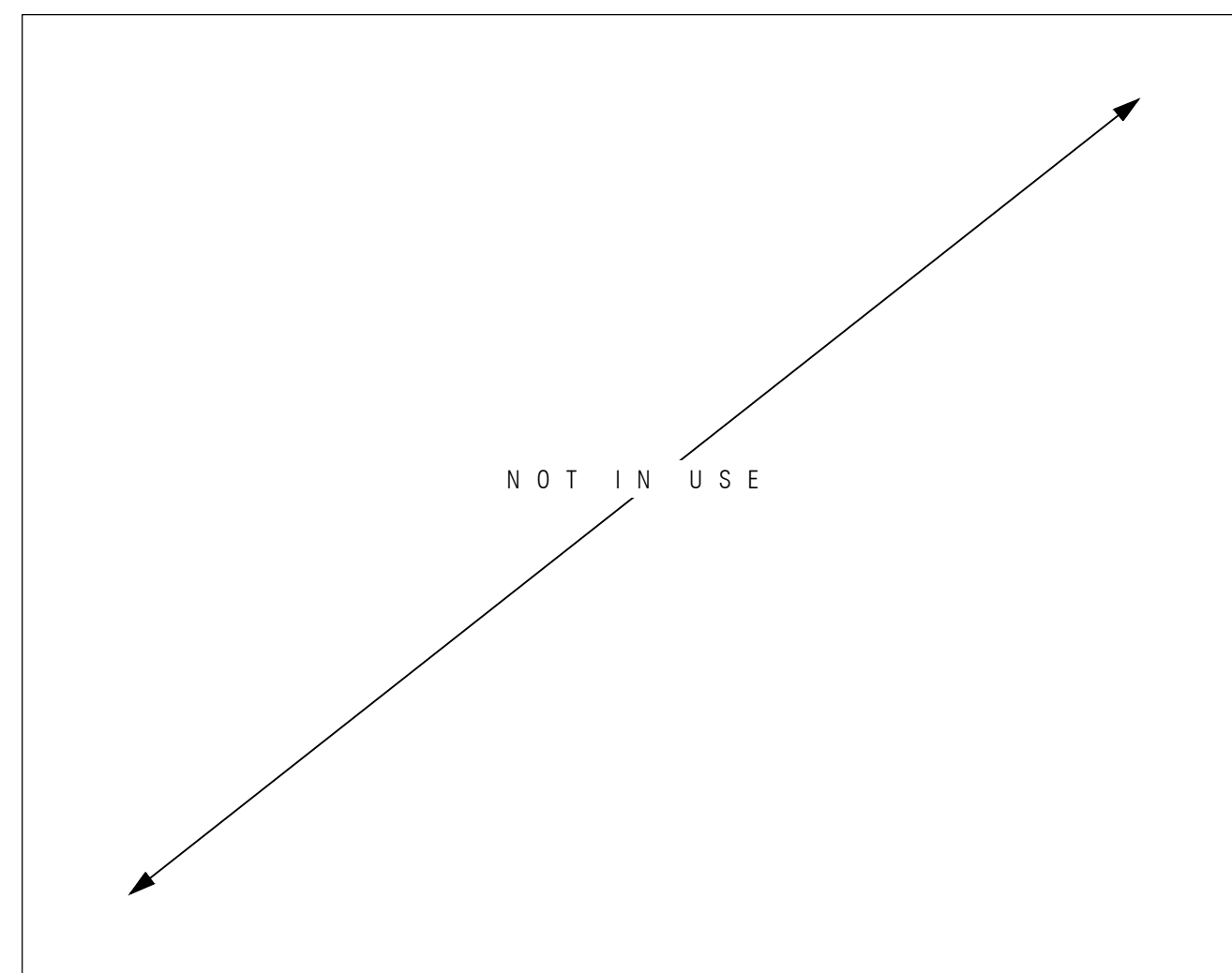
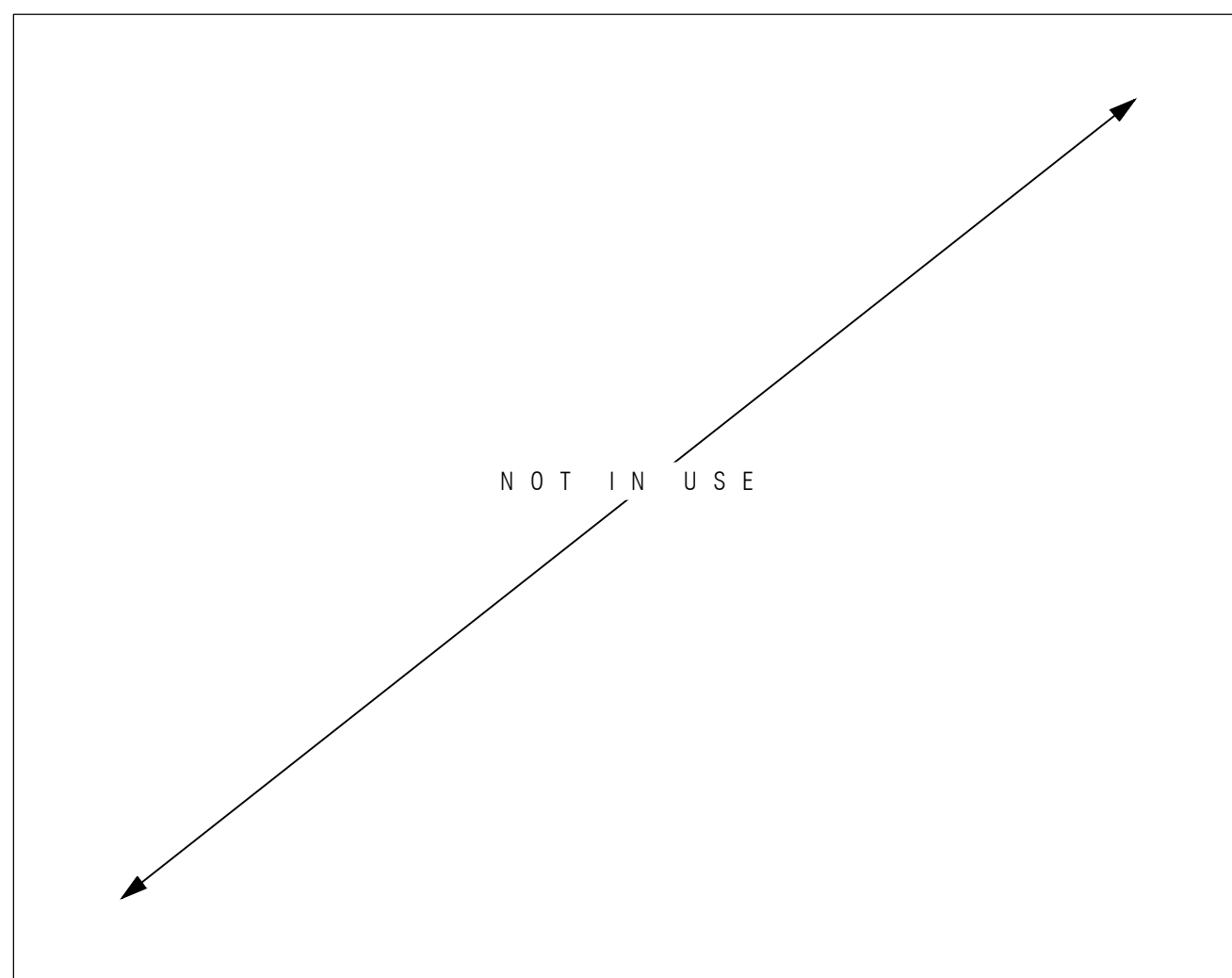


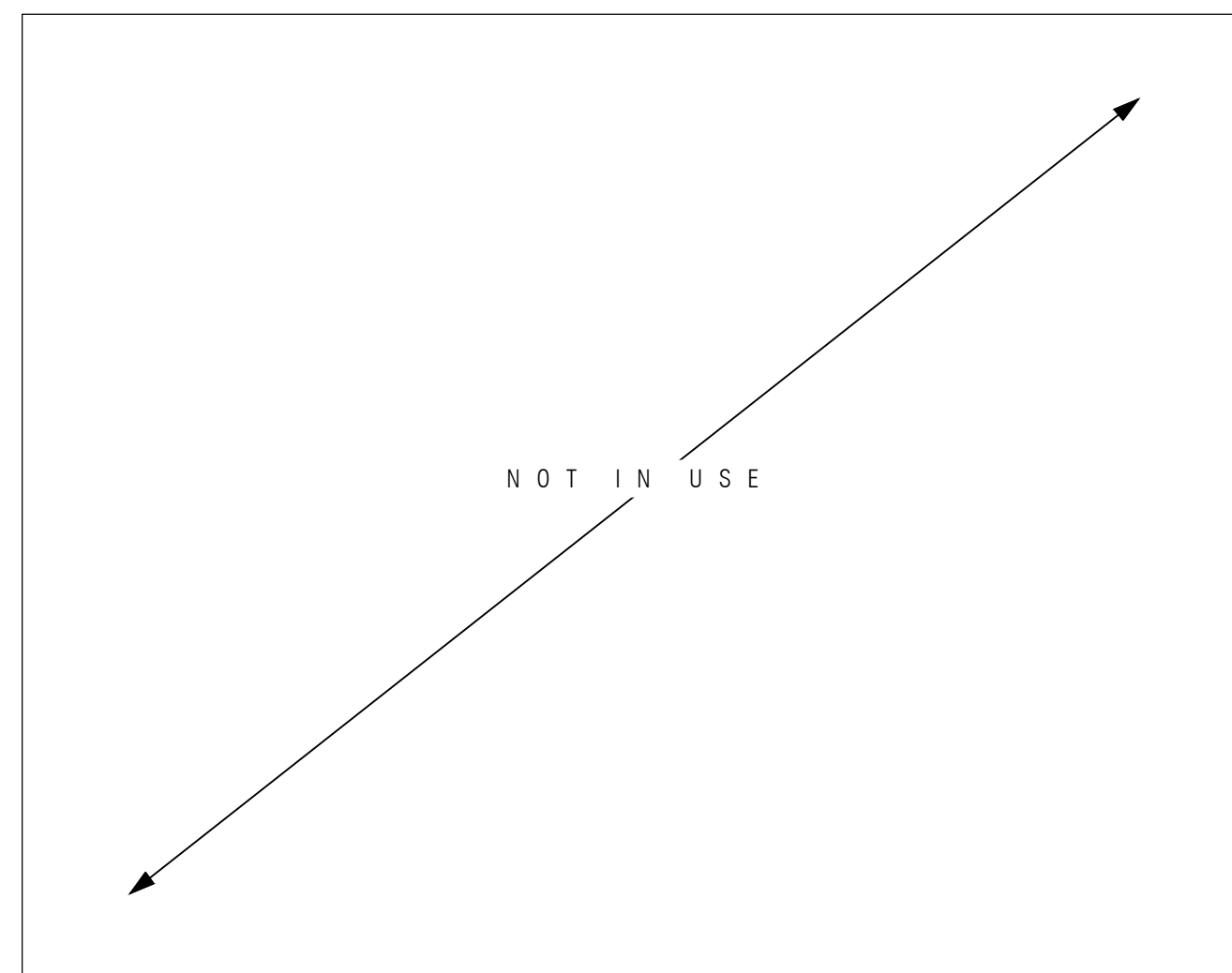
1 SECTION FOUNDATION  
WF-1 SCALE: 3/4" = 1'-0"



2 SECTION FOUNDATION  
F-1/F-2 SCALE: 3/4" = 1'-0"



3 SECTION FOUNDATION  
F-3 SCALE: 3/4" = 1'-0"

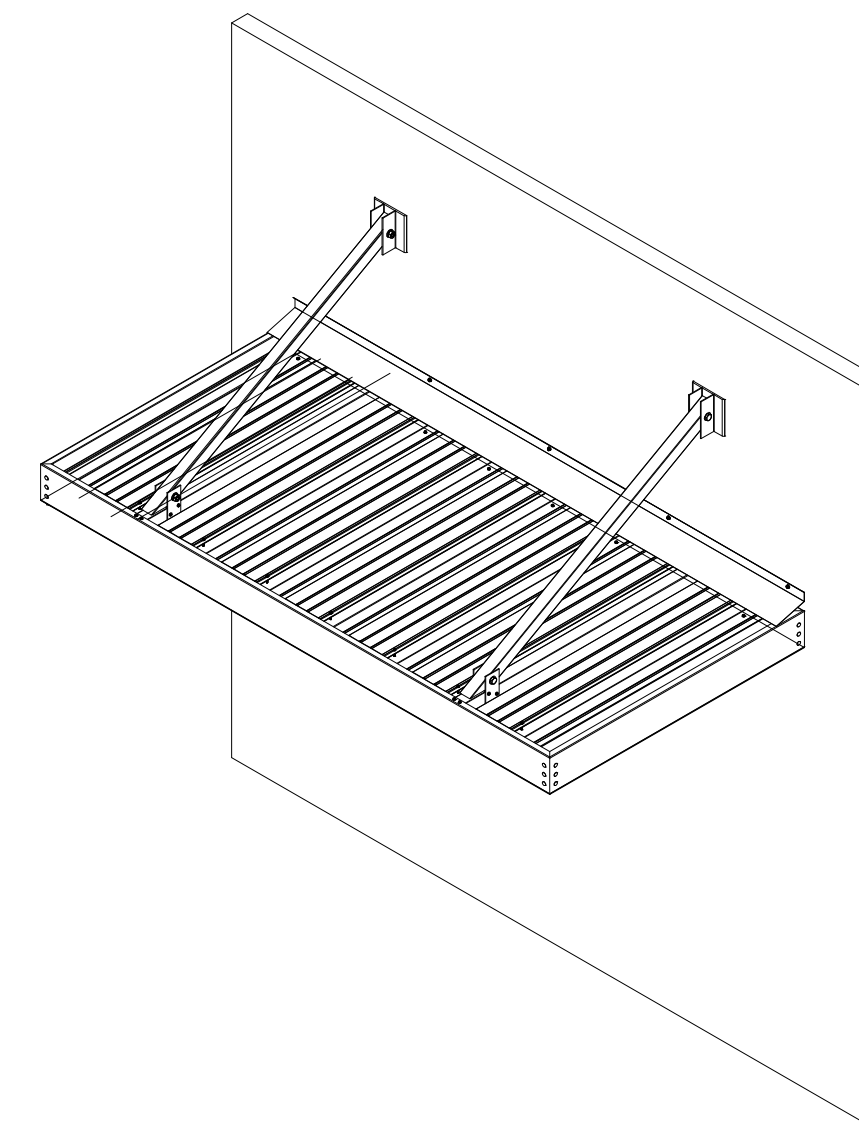


4 SECTION FOUNDATION  
F-3 SCALE: 3/4" = 1'-0"

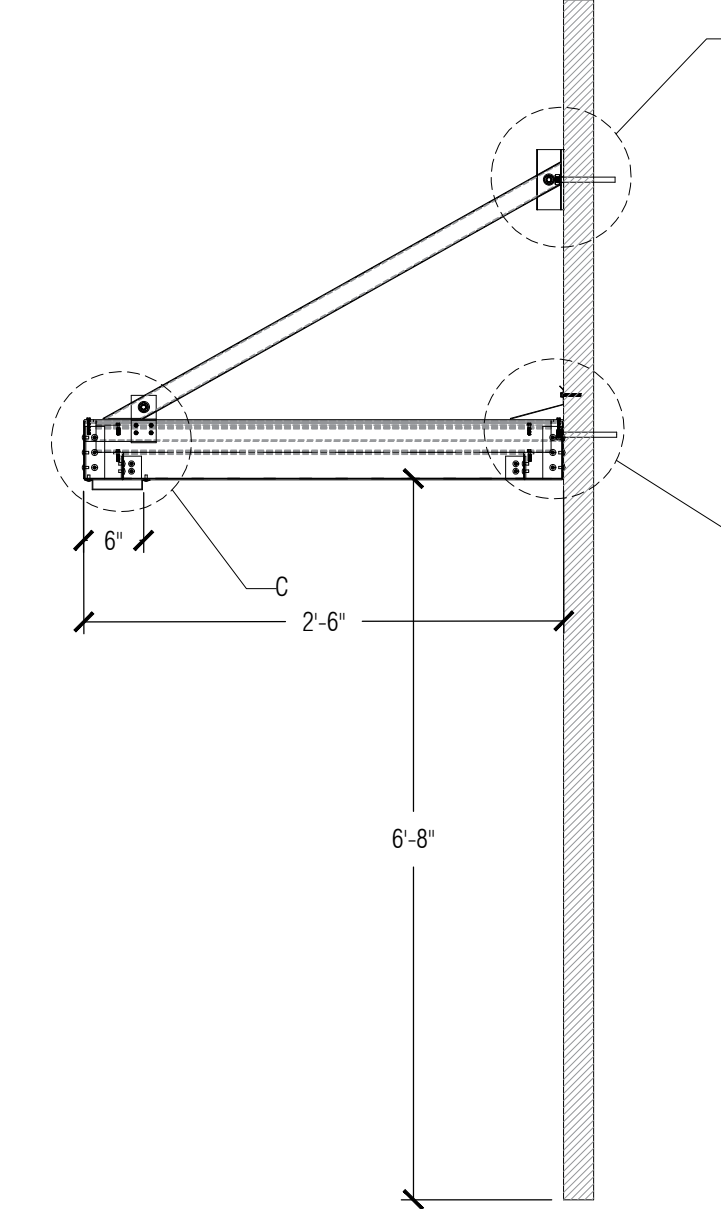
TYPE	WALL FOOTING SCHEDULE		REINFORCEMENT	
	WIDTH (FT)	THICKNESS	LONGITUDINAL	TRANSVERSE
WF - 1	1'-4"	2'-8"	2 #5	#5 @ 10"

NOTES:

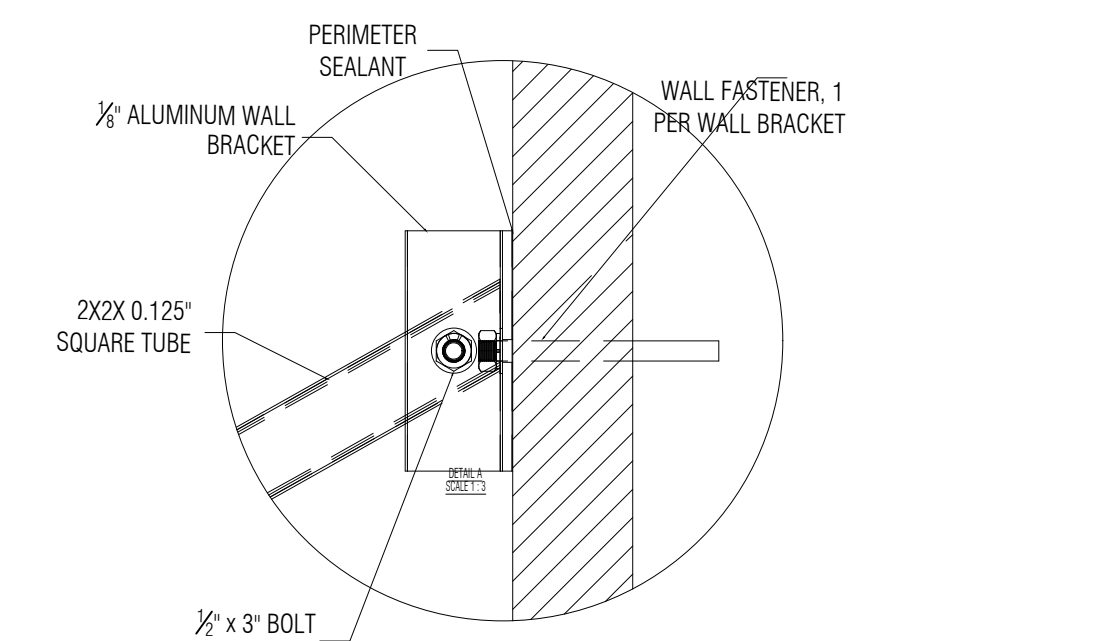
- ASSUMED BEARING CAPACITY Q = 2,000 PSF, PER GEOTECHNICAL REPORT.
- FOUNDATION SHALL CONSTRUCTED ON UNDISTURBED UNIFORM SOIL.
- PROVIDE 3" MIN. BOTTOM COVER FOR REINFORCING STEEL.
- LONGITUDINAL REINFORCEMENT SHALL SET BELOW TRANSVERSE REINFORCEMENT.
- IN THE EVENT OF UNFORESEEN CONDITIONS, THE CONTRACTOR SHALL NOTIFY THE ENGINEER.



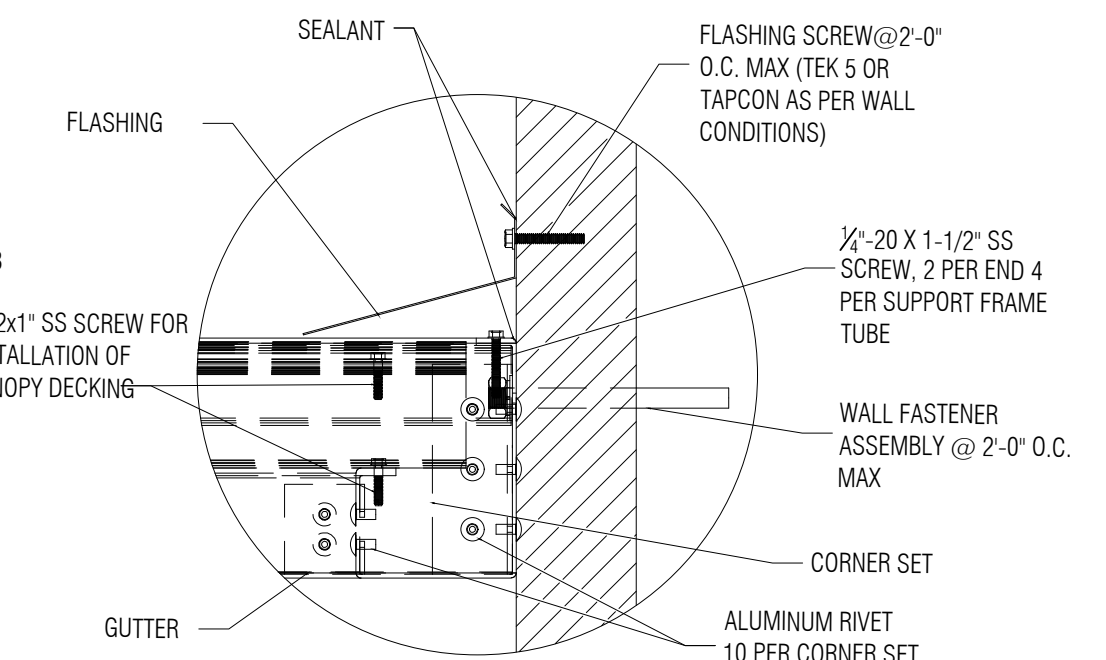
7 ISOMETRIC VIEW  
CANOPY SCALE: 3/4" = 1'-0"



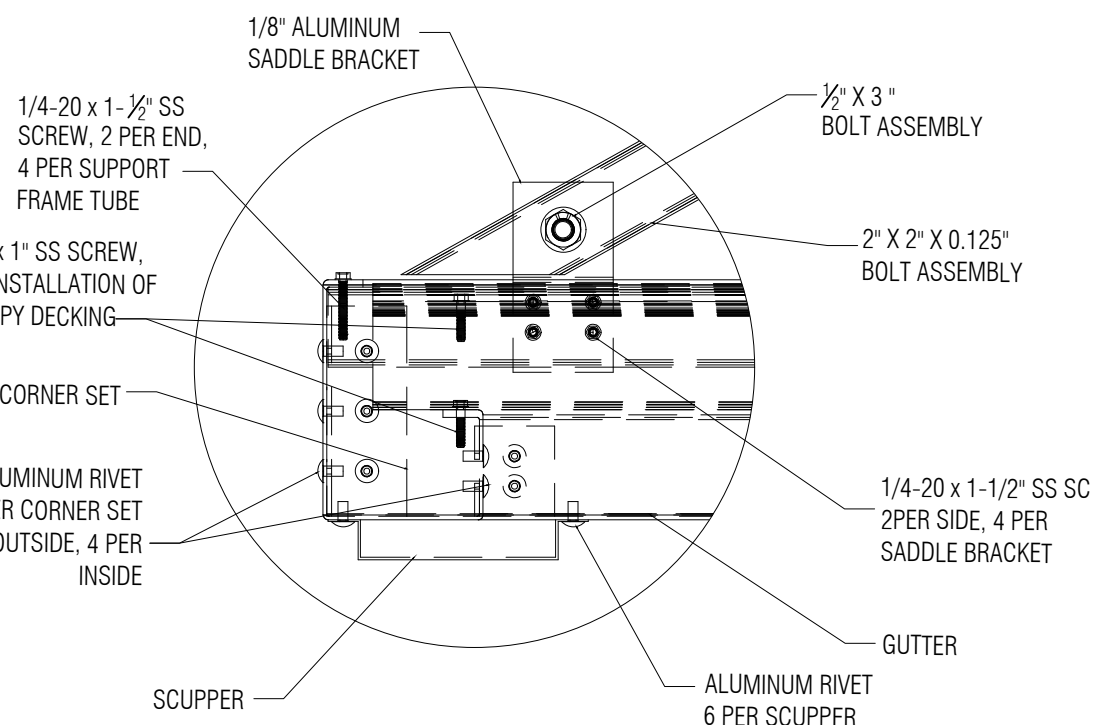
8 SECTION  
CANOPY SCALE: 3/4" = 1'-0"



DETAIL - A



DETAIL - B



DETAIL - C

ISSUE	DATE	4. CITY OF MIAMI COMMENTS
	01/27/2023	

AMERICANO  
MEDIA GROUP  
STUDIO  
2920 NW 7 ST  
MIAMI, FL 33125

PROJECT:  
INTERIOR REMODELING

FOOTING  
SECTIONS,  
SCHEDULES



7875 NW 12th Street, Ste. 101  
Doral, FL 33126  
(786) 762-2204  
www.ves-us.com  
C.A. #32810

FELIX F. RODRIGUEZ, PE, SE  
FLORIDA PE #74481  
Civil, Structural, Mechanical  
admin@ves-us.com

VDES PROJECT #220078

DATE  
12/23/2022

SHEET  
S-03