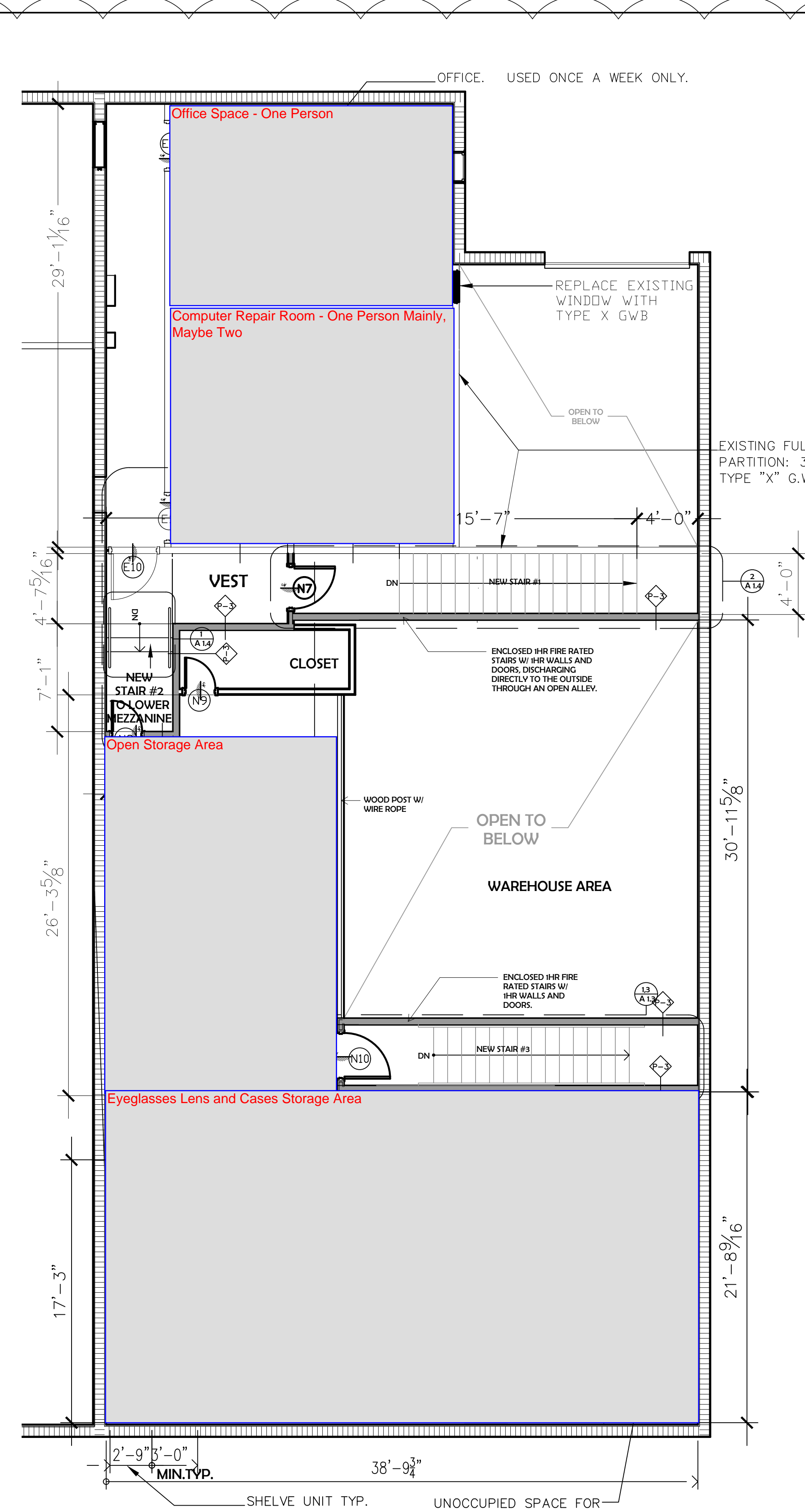
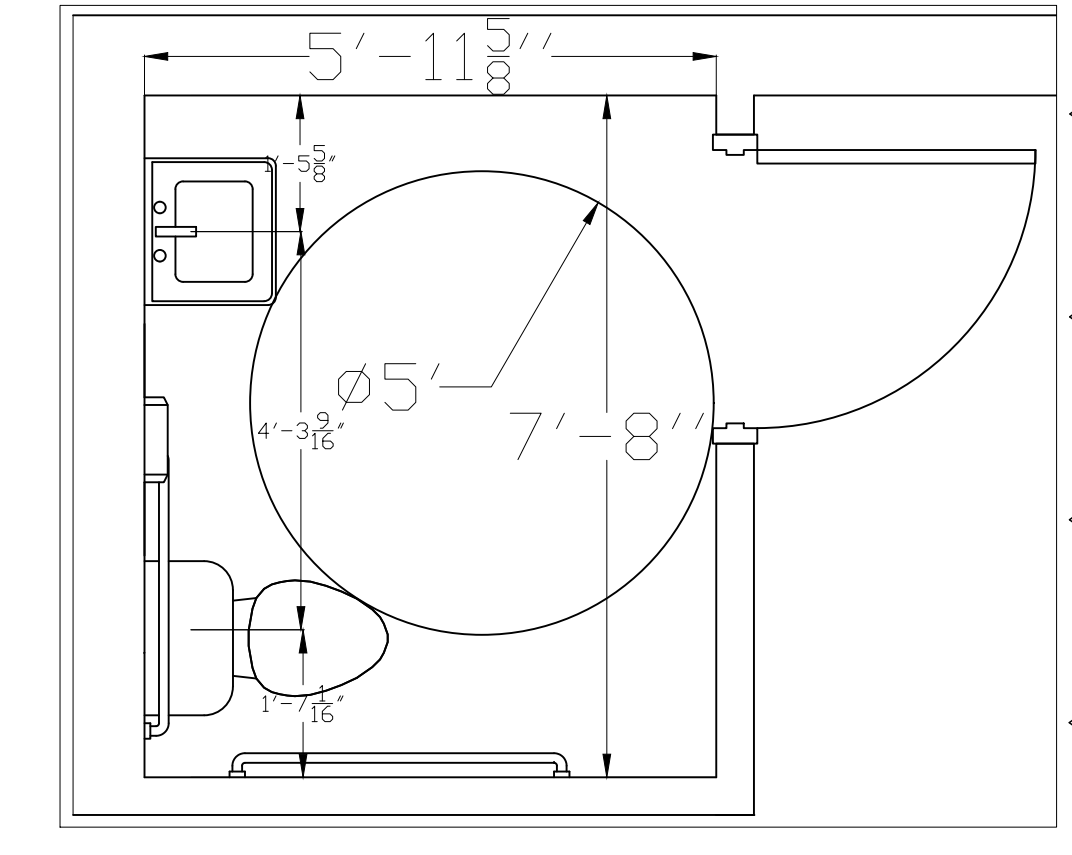


1 PROPOSED - FIRST FLOOR PLAN
SCALE 3/16"=1'

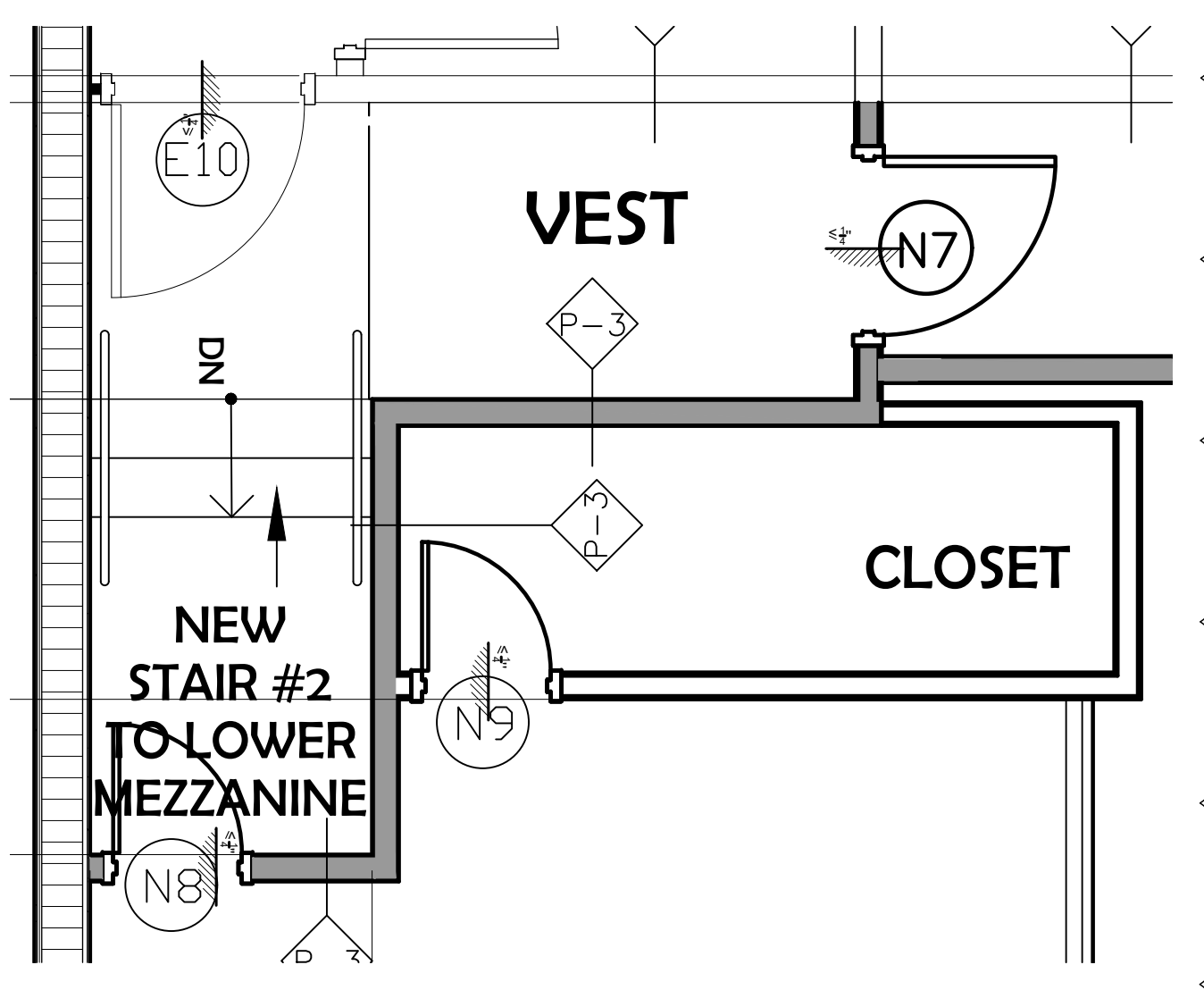


2 PROPOSED - SECOND FLOOR PLAN
SCALE 3/16"=1'

| AREA CALCULATIONS | |
|---------------------|----------|
| 1st FLOOR TOTAL | 3,200 SF |
| 2nd FLOOR/OPEN MEZZ | 1,335 SF |
| 2nd FLOOR EXISTING | 684 SF |
| 2nd FLOOR TOTAL | 2,019 SF |



3 HANDICAP BATH
SEE A.0.3 FOR ADA DETAILS

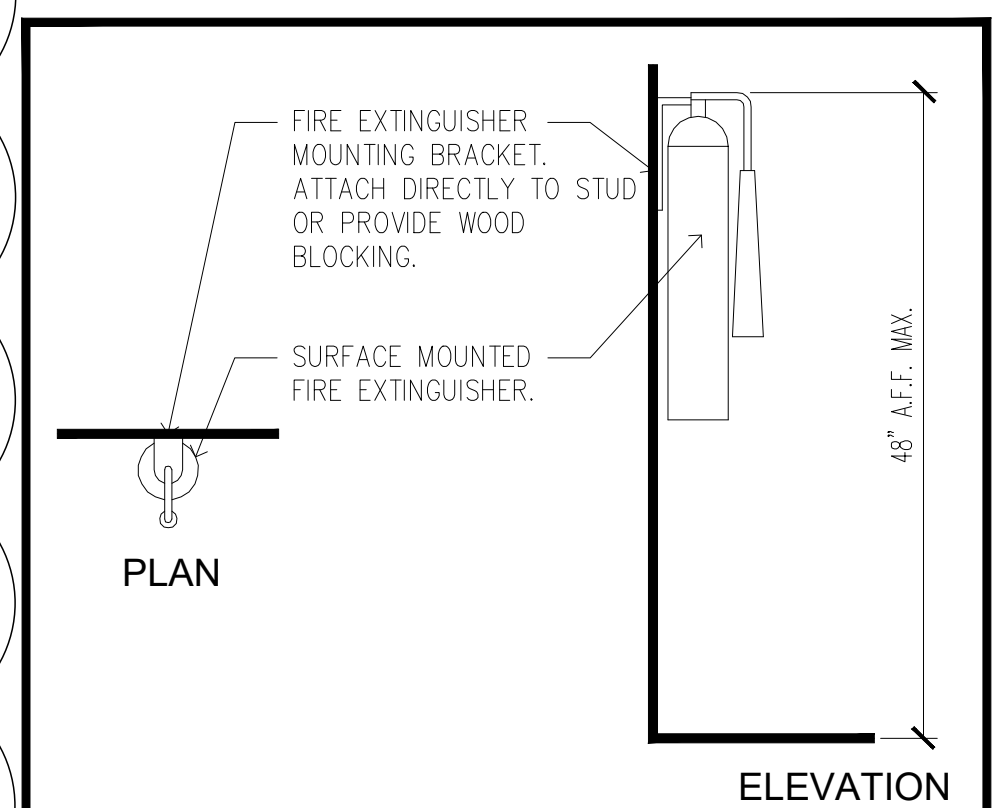


4 HALLWAY CALLOUT @ 2ND FLOOR
3/8"= 1'-0"

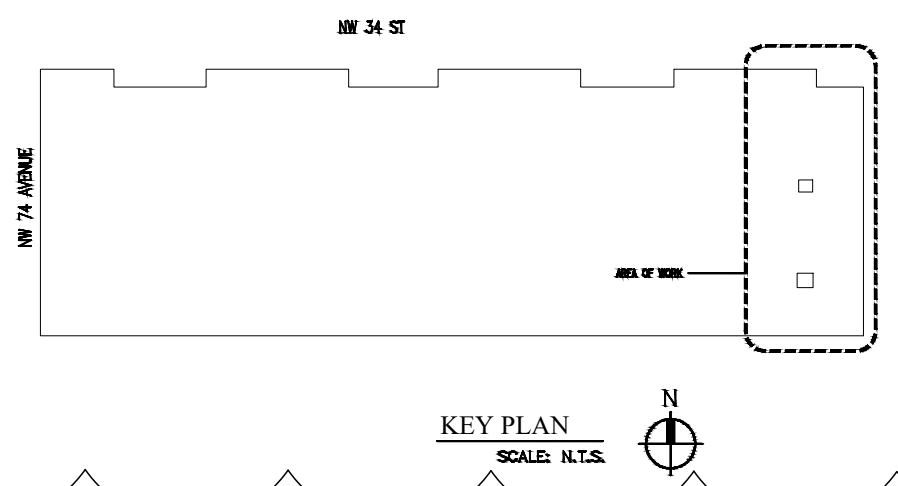
| WALL LEGEND | |
|-------------|--|
| | EXISTING PARTITION WALL TO REMAIN |
| | EXISTING PARTITION WALL TO BE DEMOLISHED |
| | EXISTING FIRE RATED PARTITION TO REMAIN (DO NOT DISTURB) |
| | NEW NON LOAD BEARING PARTITION |
| | ⬠ DENOTES PARTITION TYPE (SEE SHEET A6) |
| | ⊙ DENOTES EXISTING DOORS TO REMAIN (NO WORK REQUIRED) |
| | ⊖ DENOTES EXISTING DOOR TYPE PER DOOR SCHEDULE |
| | ○ DENOTES EXISTING DOOR TO BE REMOVED |
| | ○ PLAN / FINISH NOTES |
| | ○ DENOTES SECTION / DETAIL |
| | ○ DENOTES INTERIOR ELEVATION |

| SHELVING RACK | LEGEND |
|---------------|---------------------------------|
| 1 | SHELVING RACKS 5'-9" L X 33" W. |
| 2 | SHELVING RACKS 5'-9" L X 33" W. |
| 3 | SHELVING RACKS 5'-9" L X 33" W. |
| 4 | SHELVING RACKS 5'-9" L X 33" W. |
| 5 | SHELVING RACKS 5'-9" L X 33" W. |
| 6 | SHELVING RACKS 5'-9" L X 33" W. |
| 7 | SHELVING RACKS 5'-9" L X 33" W. |

7 SHELVING RACKS X 17.25' = 120' SHELVING



WALL MOUNTED FIRE EXTINGUISHER DETAIL
SCALE: NOT TO SCALE



KEY PLAN
SCALE: N.T.S.