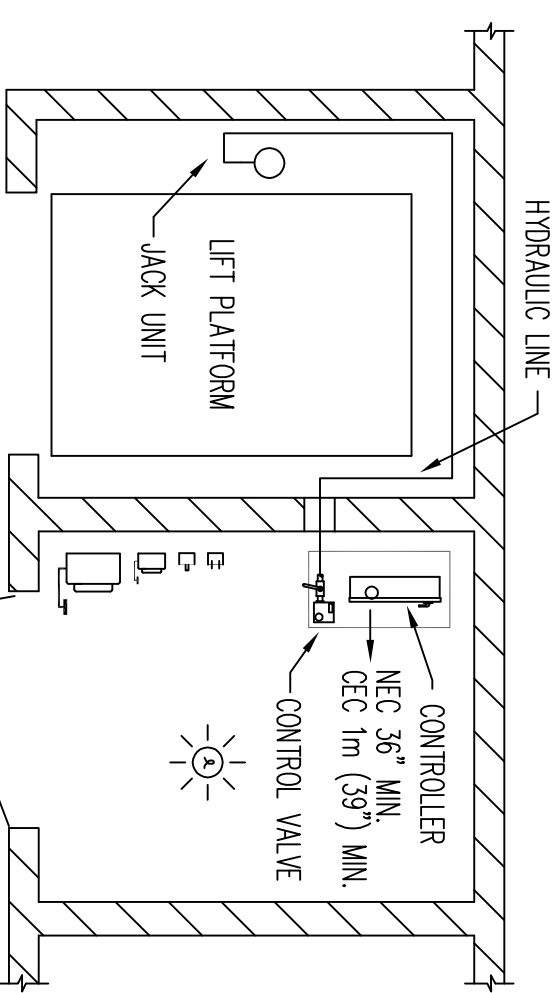
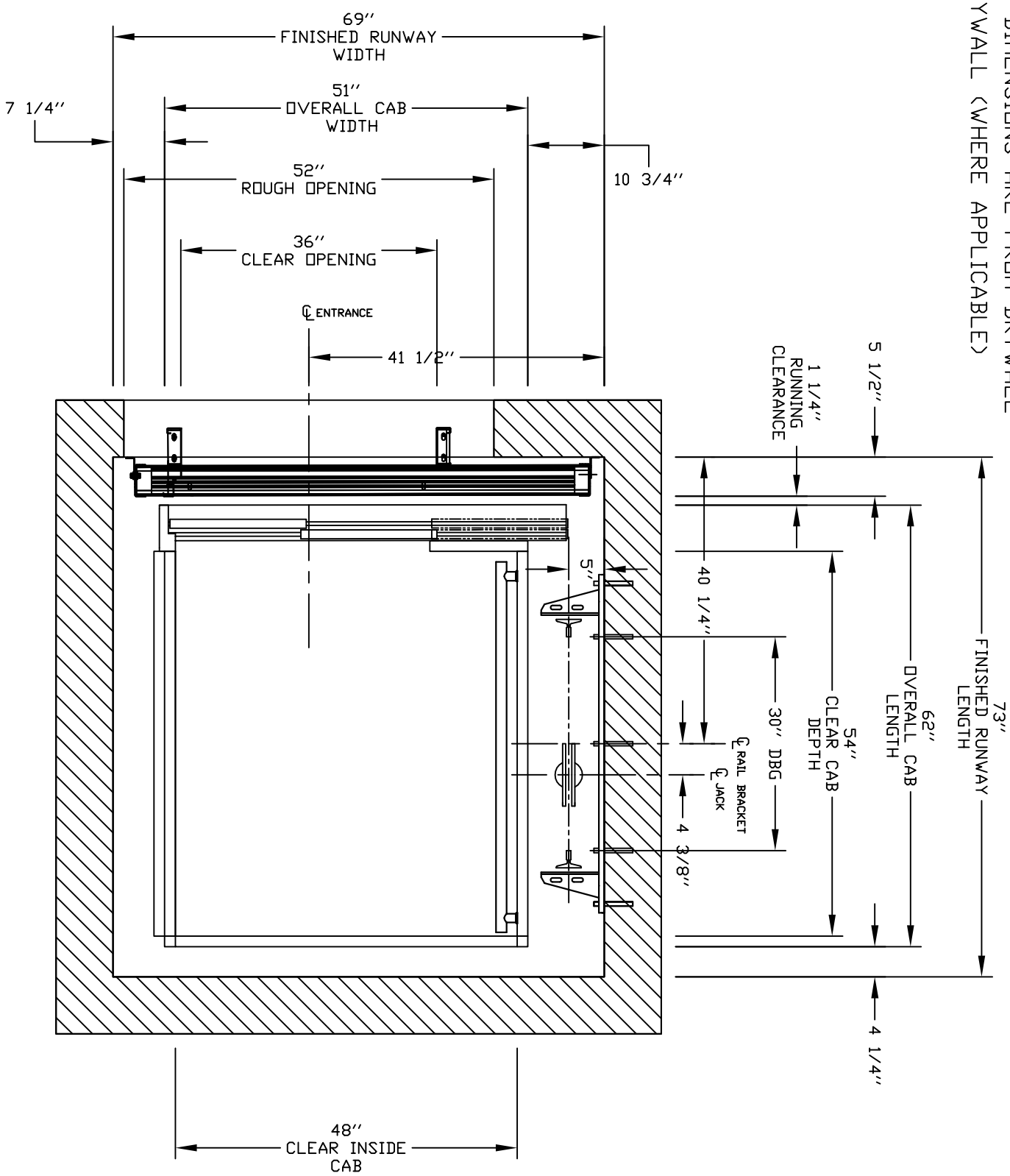


PLEASE NOTE:  
 OVERALL HOISTWAY LENGTH AND  
 WIDTH DIMENSIONS ARE FROM DRYWALL  
 TO DRYWALL (WHERE APPLICABLE)



M/R PLAN AT LOWER LEVEL

PRELIMINARY DRAWING ONLY  
 DRAWING APPROVAL:

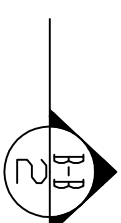
THIS DRAWING REFLECTS OUR INTERPRETATION OF THE INFORMATION PROVIDED BY THE DEALER ON THE ORDER FORM. THIS INFORMATION IS THE DEALER'S RESPONSIBILITY, AND IS THE BASIS FROM WHICH THIS LIFT IS DESIGNED AND MANUFACTURED. PLEASE INDICATE THE REQUESTED ACTION BY CHECKING ONE OF THE FOLLOWING BOXES AND SIGNING BELOW TO AUTHORIZE COMPLETION OF THIS ORDER.

- APPROVED WITH NO EXCEPTIONS
- MANUFACTURE PRODUCT AS PER DRAWING
- APPROVED WITH EXCEPTIONS, NO REAPPROVAL REQUIRED
- MAKE CHANGES AS NOTED, NO REAPPROVAL DRAWING REQUIRED
- CHANGE AS NOTED, REAPPROVAL REQUIRED
- MAKE CHANGES AS NOTED, SEND CORRECTED DRAWING FOR REAPPROVAL BEFORE MANUFACTURE

SIGNATURE: \_\_\_\_\_ DATE: \_\_\_\_\_

CHANGES REQUEST:

1. \_\_\_\_\_
  2. \_\_\_\_\_
  3. \_\_\_\_\_
  4. \_\_\_\_\_
- CAUTION: ONCE THE DRAWING IS APPROVED, JOB CANCELLATION FEES WILL APPLY



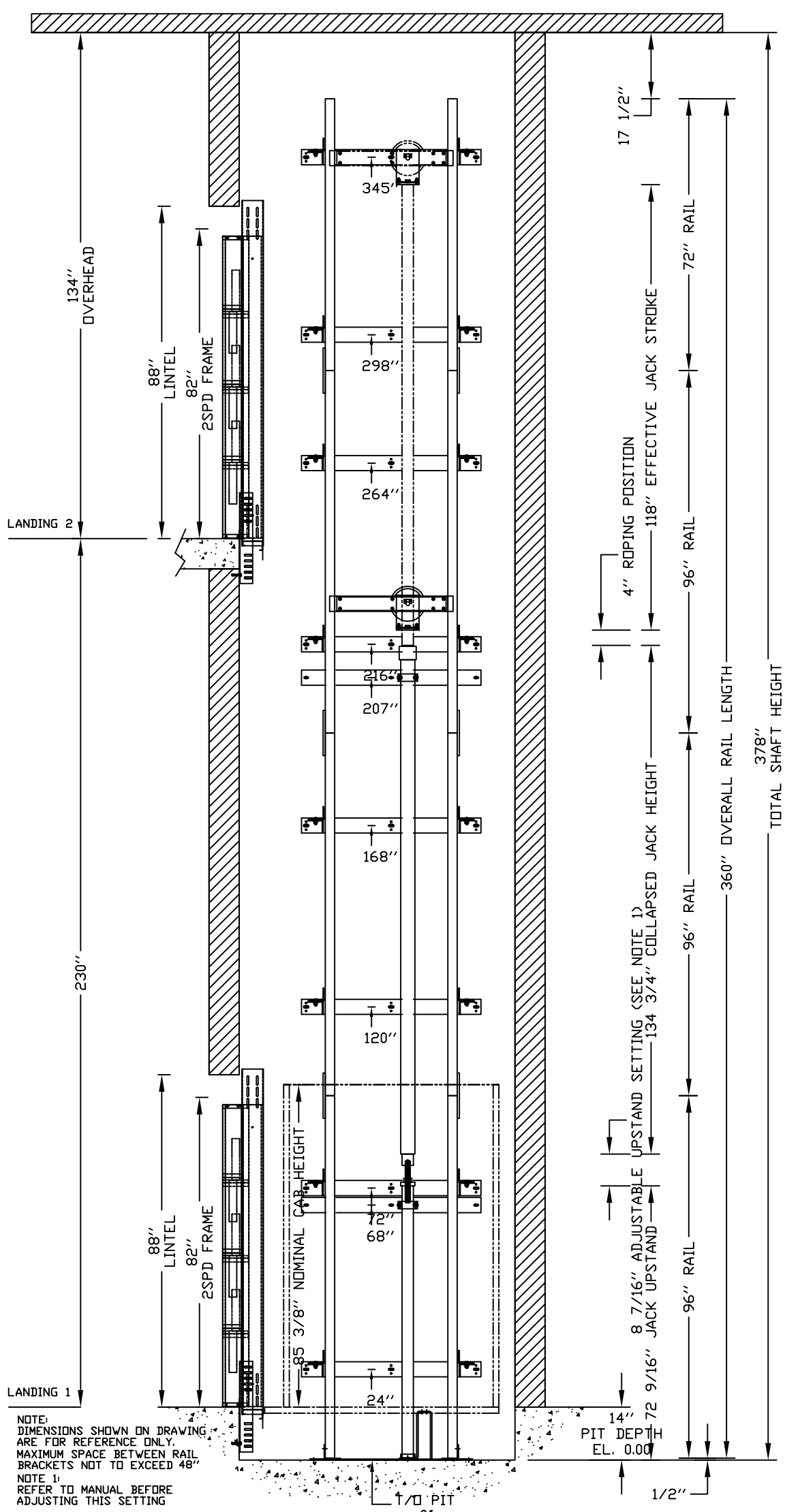
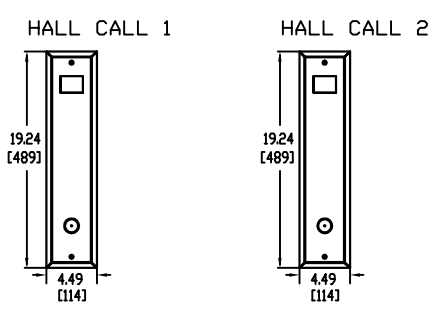
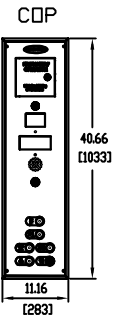
PLAN VIEW

CUSTOMER: **EL TORIDA LIFTS LLC**  
 PROJECT: **UPPER BUENA VISTA RESTAURANT**  
 ADDRESS: **184 NE 50TH TERRACE MIAMI, FL 33137**

OFFICE USE ONLY:  
 CONFIGURATION VERSION STAMP: 0.0  
 MODULE VERSION STAMP: D-S-6.17

DATE: 07/29/16  
 REVISION DATE: 11/10/16  
 COMPLETED BY: [Signature]

Part No. 74532  
 Savaria logo  
 JOB No. [ ] SHEET No. 1 OF 4



NOTE:  
DIMENSIONS SHOWN ON DRAWING  
ARE FOR REFERENCE ONLY.  
MAXIMUM SPACE BETWEEN RAIL  
BRACKETS NOT TO EXCEED 48"

NOTE 1:  
REFER TO MANUAL BEFORE  
ADJUSTING THIS SETTING

PIT PROPPED PROVIDED IN CONFORMANCE TO CLAUSE 5.2.1.4.2

<b>OFFICE USE ONLY:</b>	
CONFIGURATION VERSION STAMP:	0.0
MODULE VERSION STAMP:	D-S-6.17

Part No.	
Variant No.	74532

ELEVATION VIEW B-B

CUSTOMER:	FLORIDA LIFTS LLC
PROJECT:	UPPER BUENA VISTA RESTAURANT
ADDRESS:	184 NE 50TH TERRACE MIAMI, FL 33137

DATE:	07/29/16
REVISION DATE:	11/10/16
COMPLETED BY:	Kiefer@floridalifts

JOB No.	
SHEET No.	2 OF 4

# PROVISIONS BY OTHERS

# SPECIFICATIONS

### \*GENERAL

**HOISTWAY** - THE HOISTWAY MUST BE IN ACCORDANCE WITH "SAFETY CODE FOR ELEVATORS AND ESCALATORS" (ASME A17.1) AND ALL STATE AND LOCAL CODES.

**PLUMB HOISTWAY** - DUE TO CLOSE RUNNING CLEARANCES OWNER/AGENT MUST ENSURE THAT HOISTWAY AND PIT (WHERE PROVIDED) ARE LEVEL, PLUMB AND SQUARE AND ARE IN ACCORDANCE WITH THE DIMENSIONS ON THESE DRAWINGS.

**MINIMUM OVERHEAD CLEARANCE** - OWNER/AGENT MUST ENSURE MINIMUM OVERHEAD CLEARANCE IS IN COMPLIANCE WITH CODES.

**CONSTRUCTION SITE** - OWNER/AGENT TO PROVIDE ALL MASONRY, CARPENTRY AND DRYWALL WORK AS REQUIRED AND SHALL PATCH AND MAKE GOOD (INCLUDING FINISH PAINTING) ALL AREAS WHERE WALLS/FLOORS MAY REQUIRE TO BE CUT, DRILLED OR ALTERED IN ANY WAY TO PERMIT THE PROPER INSTALLATION OF THE LIFT. DIMENSIONS.

**CONTRACTOR/CUSTOMER** TO VERIFY ALL DIMENSIONS AND REPORT ANY DISCREPANCIES TO OUR OFFICE IMMEDIATELY.

**PIT**

WHERE REQUIRED PER, 2.2.2.5 IN THE ELEVATORS PROVIDED WITH FIREFIGHTERS EMERGENCY OPERATION, A DRAIN OR SUMP PUMP MIGHT BE REQUIRED BY OTHERS, CHECK LOCAL REQUIREMENT.

**\*STRUCTURAL**

**FLOOR/SUPPORT WALL LOADS** - STRUCTURE TO ANCHOR A CRANK SHAFT AND SAFETY HARNESS, WHERE APPLICABLE/NEEDED, TO BE PROVIDED BY CONTRACTOR. CONTRACTOR TO ASSURE THAT BUILDING AND SHAFT WILL SAFELY SUPPORT ALL LOADS IMPOSED BY THE LIFT EQUIPMENT. REFER TO THE TABLES ON THIS DRAWING FOR LOADS IMPOSED BY THE EQUIPMENT.

WHERE DOORS ARE REQUIRED - SUITABLE LINTELS MUST BE PROVIDED BY OWNER/AGENT. DOOR FRAMES ARE NOT DESIGNED TO SUPPORT OVERHEAD WALL LOADS.

**\*MACHINE ROOM**

**LOCATION / ACCESS** - MACHINE ROOM LOCATED AT THE LOWEST LEVEL ADJACENT TO HOISTWAY, UNLESS SHOWN OTHERWISE ON THE LAYOUT DRAWINGS. FIELD ADJUSTMENT BY INSTALLER MAY BE NECESSARY TO MEET JOB SITE CONDITIONS OR REGULATIONS. MACHINE ROOM DOOR IS TO BE LOCKABLE AND IS TO MEET THE REQUIREMENTS OF THE AUTHORITY HAVING JURISDICTION.

**SLEEVES FOR OIL & ELECTRIC LINES** - FROM MACHINE ROOM TO RUNWAY AS REQUIRED. (POSITION PER INSTALLERS INSTRUCTIONS). MINIMUM SCHEDULE 80 PIPING REQUIRED FOR OIL LINES.

DISCONNECT SIZE	TIME DELAY FUSE SIZE	VOLTS	PHASE	AMPERAGE
MOTOR & EQUIP.	30 AMPS	208 volt	Three Phase	156 AMPS
CAB LIGHTS	15 AMPS	115 V	1	

**\*ELECTRICAL** (SEE SPECIFICATIONS) LOCKABLE FUSED DISCONNECT WITH AUXILIARY CONTACT TO BRAKE THE BATTERY FEED, OR CIRCUIT BREAKERS WITH A 3-POLE BREAKER FOR BATTERY FEED REQUIRED, IN COMPLIANCE WITH ELECTRICAL CODE, AS FOLLOWS:

LOCATED ON WALL ON LOCK JAMB SIDE OF MACHINE ROOM DOOR) PERMANENT POWER - BEFORE INSTALLATION CAN BEGIN, PERMANENT POWER MUST BE SUPPLIED.

**LIGHTING** - THE ILLUMINATION SHALL BE NOT LESS THAN 200 LX (19 FC) AT THE FLOOR LEVEL IN ALL MACHINE ROOMS AND MACHINERY SPACES. ENSURE AT LEAST 100 LX (10 FC) AMBIENT LIGHTING OVER LIFT AREA. PHONE - NEED A DEDICATED PHONE LAND LINE (NOT VOIP) FOR THE PHONE, WHERE APPLICABLE. FOR VOIP PLEASE CONTACT SAVARIA.

**\*ENTRANCES**

**FASCIA PANEL** BELOW UPPER LEVEL ENTRANCE - WHERE REQUIRED, FASCIA PANEL MUST BE FASTENED TO A SOLID WALL AND BE PERPENDICULAR TO THE FLOOR AND WALLS. HOISTWAY FASCIA IS NOT SELF-SUPPORTING FOR LONG, CONTINUOUS RUNS. VOID OF ENTRANCES. ADEQUATE SUPPORT FOR THE FASCIA MUST BE PROVIDED.

**ENTRANCE ASSEMBLIES** - ENTRANCE ASSEMBLIES MUST BE ADJUSTED TO ALIGN WITH PLATFORM AND INTERLOCK EQUIPMENT. OTHERS TO ALLOW AN ADEQUATE ROUGH OPENING.

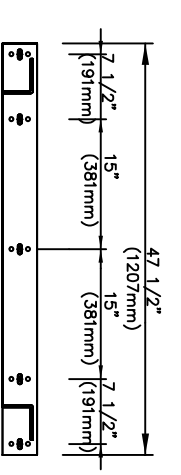
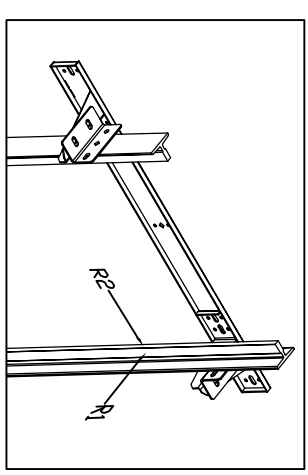
**RETURN WALLS** - RETURN WALLS AT ENTRANCES MUST BE BUILT-IN BY OTHERS AFTER ENTRANCE ASSEMBLIES ARE IN PLACE. ENTRANCE ASSEMBLY MUST BE SECURELY FASTENED TO WALLS BY ELEVATOR CONTRACTOR.

### GENERAL

**CLASSIFICATION:** Public Building  
**APPLIED CODE:** CSA/ASME A17.1/B44-2010 Sec 5.2  
**MODEL:** Orion  
**CAPACITY:** 1400lbs  
**NOMINAL SPEED:** 30 fpm  
**TRAVEL:** 230"  
**PIT DEPTH:** 14"  
**POWER SUPPLY:** 60 Hz Three Phase 208 volt

**HYDRAULIC**

**PUMP MFR:** CONCORD  
**PUMP MODEL:** VICKERS 4P  
**MOTOR:** 5.0 hp  
**VALVE MODEL NO.:** EPV - 7  
**VALVE COIL VOLTS:** 24 V DC  
**MAX WORKING PRESSURE:** 1500 psi (10340 kPa)  
**RELIEF VALVE SETTING:** MAX 25% ABOVE ACTUAL WORKING PRESSURE  
**RESERVOIR:** 22 Gal.  
**HOSE & SAFETY VALVE:** no



PIT RE-ACTION FORCE	8000 LBS
R3	8000 LBS
R4	3000 LBS
R5	9000 LBS

RAIL FORCES	*R1	*R2
720 lb-f	260 lb-f	720 lb-f
RAIL WEIGHT	80 lbs / f-t	

FOR TOTAL PULL-OUT FORCE ON RAIL BRACKET, 60-2 x 720 = 1440 lb-f

FOR LOCAL APPLICATION OF PIT LOAD, R1 MUST BE DOUBLED.

SEE PIT CHANNEL/BUFFER SKETCH.

### CAR FINISH DETAILS

**CAB PANEL SELECTION:** White Steel Colour  
**CEILING SELECTION:** Standard (white)  
**CAB ENTRANCE:** Match Cab  
**PLASTIC LAMINATE FINISHES:** Not Applicable  
**PIT LIGHT FINISH:** Stainless Steel  
**TRIM COLOUR:** Not Applicable  
**CAR STATION PLATE:** stainless steel  
**HAND RAIL TYPE:** Stainless Steel Cylindrical  
**CAB FLOORING:** Plywood Floor  
**FINISHED FLOOR THICKNESS:** 3/8" finish  
**TELEPHONE BDX:** no  
**TELEPHONE BDX FINISH:** Not Applicable  
**HAND FREE PHONE:** yes, with phone line monitoring

**CAR DIMENSIONS/PLATFORM GATES**

**CAB TYPE:** Type 1 Left Hand  
**CAB HEIGHT:** 84" Standard Cab Height  
**CAB OPERATION:** automatic operation  
**GATES REQUIRED:** Automatic Operated Gates  
**GATE TYPE:** 2 Spd Doors (Wittur) match CAB  
**GATE FINISH:** Baked Enamel White  
**INSIDE PLATFORM AREA:** 18 sf.

### HOISTWAY

**DOOR TYPE:** 2 spd Sliding Doors (Wittur)  
**HOISTWAY DOORS FINISH:** Standard Finish (Primer Grey)  
**HOISTWAY FINISH:** Masonary

### JACK UNIT

**EFFECTIVE STROKE:** 118"  
**SOLID PLUNGER D/D:** 3"  
**CYLINDER D/D:** 3 3/4"  
**CYLINDER I/D:** 3 1/4"  
**SPLIT CYLINDER?** no  
**COLLAPSED LENGTH:** 134 3/4"  
**CYLINDER WALL THICKNESS:** 1/4"

### SUSPENSION

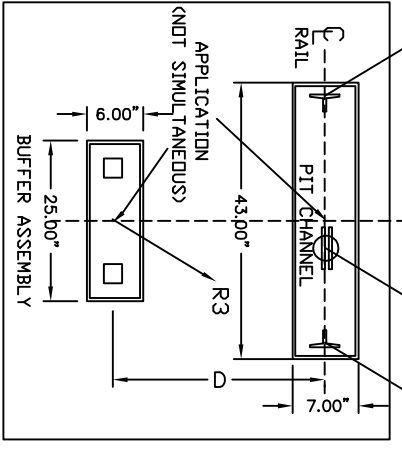
**TYPE:** AIRCRAFT CABLE 2 X 3/8" DIA.  
**CONSTRUCTION:** IWRC 7 X 19, GALVANIZED STEEL RHRL  
**NOMINAL STRENGTH:** 14,400 lbs Per Cable  
**SPECS:** M-DTL-83420  
**OVER SPEED VALVE** AS PER SECTION 3.19.4.7  
**MODEL:** BLAIN R10 AA (1500psi (10340 kPa) MAX WORKING PRESSURE)

### FIRST DOOR BY LANDING CHART

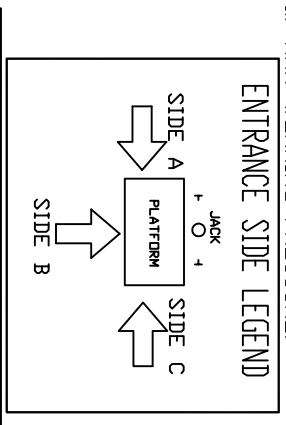
DOOR TYPE	ENTRANCE SIDE	DOOR LATCH	LOCK TYPE	AUTO DOOR OPENER	HALL CALL KEY SWITCH	HOISTWAY ACCESS	FLOOR MARKING	MAIN EGRESS FLOOR
2 Speed Sliding Doors (Wittur)	Side A	Right Hand	Not Applicable	Not Applicable	Not Applicable	yes	1	2

### OPTIONS

**FASTENERS:** Concrete Anchors FLODD SWITCH: Not Required  
**FIREMAN'S SERVICE:** Fireman Service STATE SPEC. FIREMAN KEY: N/A (FEOK1)  
**OVERSPEED GOV./VALVE:** OverSpeed Valve SPEEDY SET-UP JIG: Speedy Jig Not req.  
**CONDUCTOR CABLE:** 40' cable  
**DATA ACCESS TERMINAL:** No DAT  
**DUPLINE PROGRAMMING TOOL:** Programmer not Incl.  
**TEMP. RUN BUTTON:** Temp Run Button not Incl.  
**LANDING SIGNS:** no signs required



CAB WIDTH	DIST (D)
42"	31.625"
48"	31.625"
54"	31.625"



OFFICE USE ONLY:	CONTRIBUTION VERSION STAMP:
0.0	I-S-617
MODULE VERSION STAMP:	
Part No.	74532
Variant No.	

**Data Sheet**  
 LIMITED USE LIMITED APPLICATION

**CUSTOMER:** ORIDA LIFTS LLC  
**PROJECT:** UPPER BUENA VISTA RESTAURANT  
**ADDRESS:** 184 NE 331ST MIAMI, FL 33137

**DATE:** 07/29/16  
**REVISION DATE:** 11/10/16  
**COMPLETED BY:** Katherine Williams

**SAVARIA**

Part No. 74532

Variant No.

CONTRIBUTION VERSION STAMP: 0.0

MODULE VERSION STAMP: I-S-617

OFFICE USE ONLY:

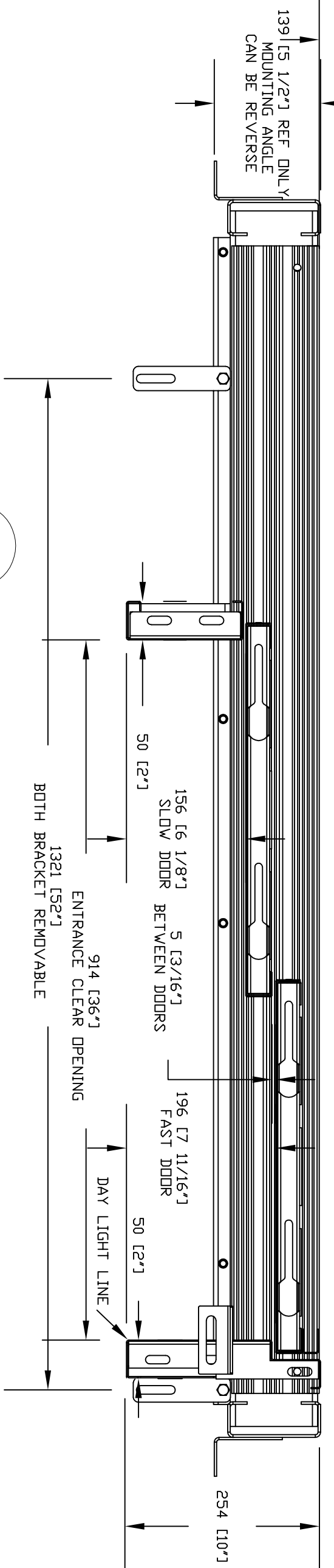
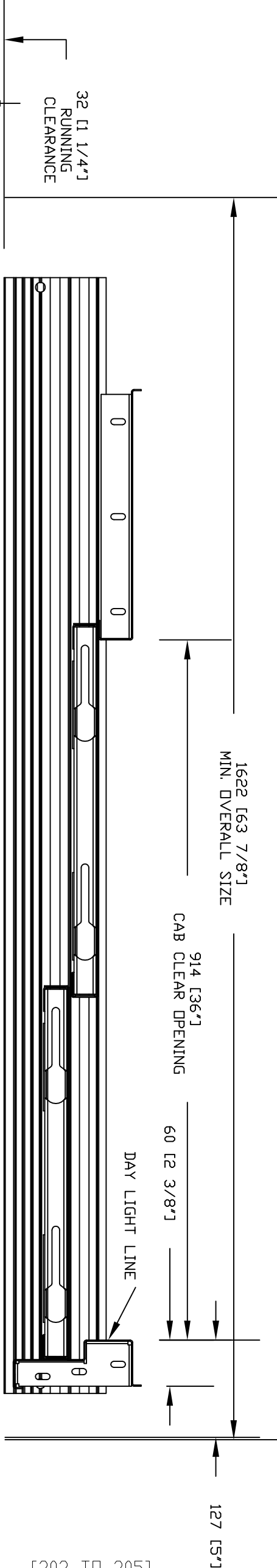
JOB No. 3 OF 4

SHEET No. 3 OF 4

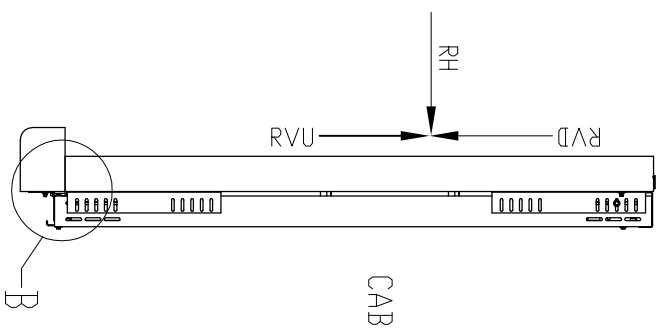
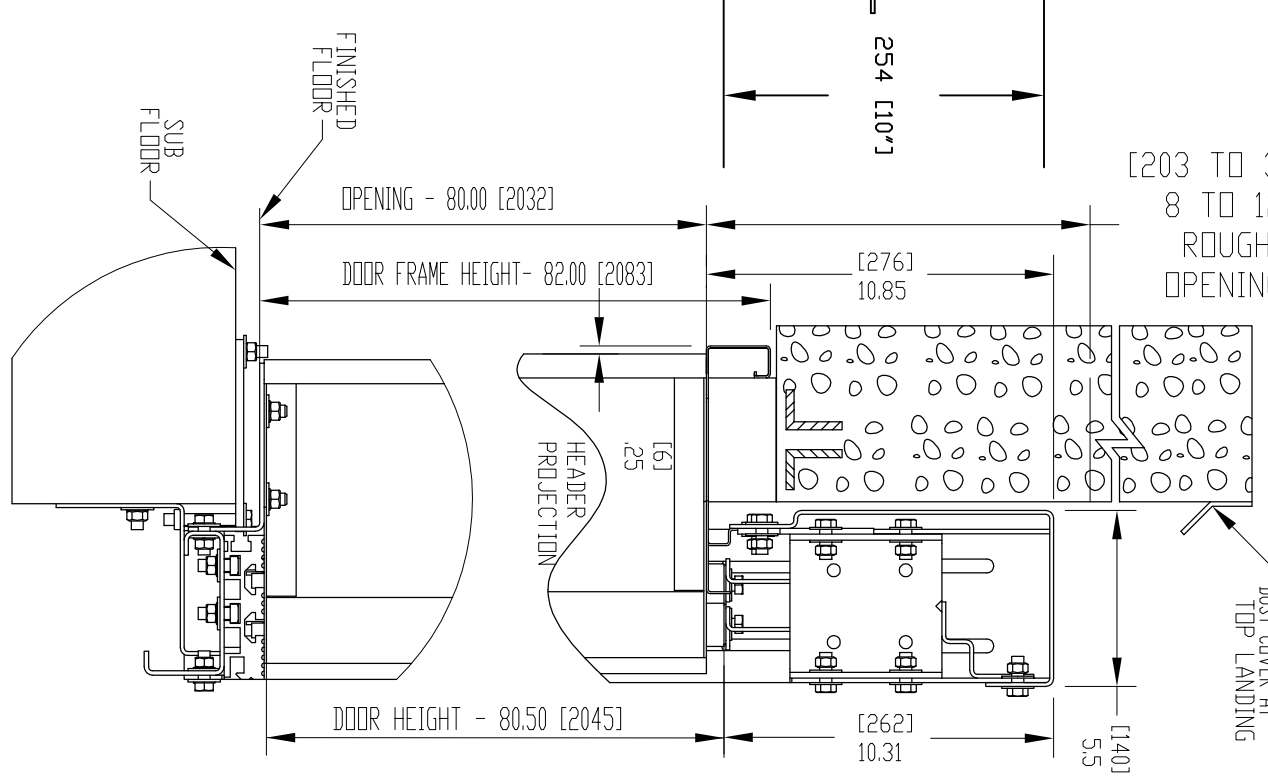
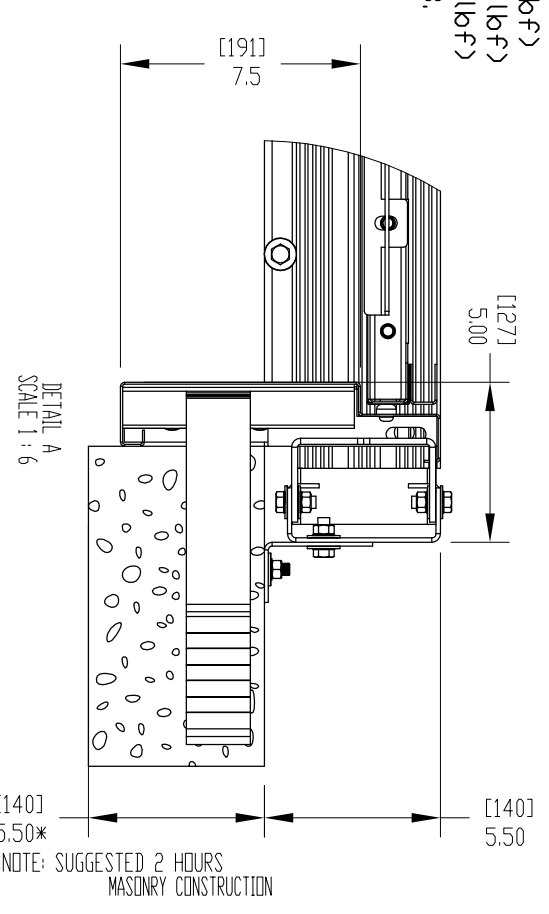
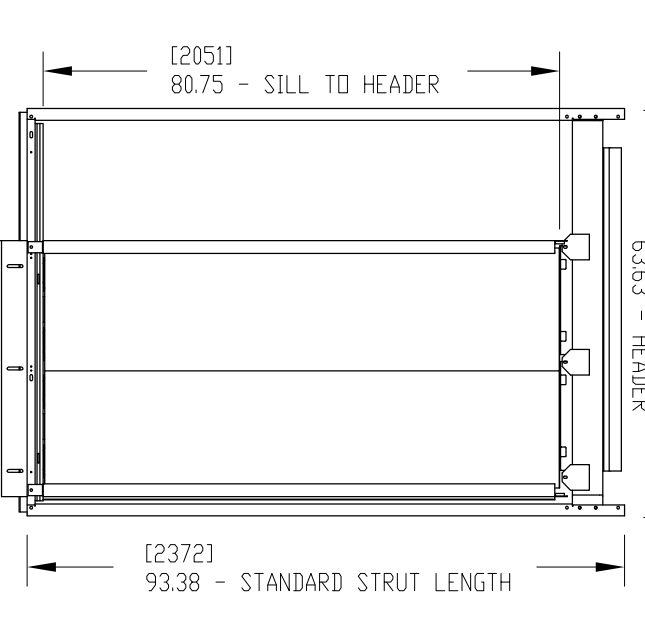
REVISIONS

REV	ECD NO.	DATE	REVISED BY
000	07 - 0023	12/03/2007	1 ST RELEASE
001		04/05/2010	ALEXANDRE B

NOTE: ENTRANCE FRAME ASSEMBLY IS NOT DESIGN TO BEAR OVERHEAD LOADS. CONTRACTOR TO PROVIDE ADEQUATE WALL STRUCTURE SUPPORT.



ENTRANCE LOADS ON BUILDING  
 RH = 5000 N (1125 lbf)  
 RVD = 1550 N (350 lbf)  
 RVU = 1000 N (225 lbf)  
 PER SECTION 2.11.11.8.



RIGHT HAND SHOWN

CUSTOMER: **ORIDA LIFTS LLC**  
 PROJECT: **UPPER BUENA VISTA RESTAURANT**  
 ADDRESS: **184 NE 50TH TERRACE MIAMI, FL 33137**

OFFICE USE ONLY:		Part No.
COMPARISON VERSION STAMP:	0.0	Variant No. 74532
MODULE VERSION STAMP:	D-S-617	

DATE: 07/29/16  
 REVISION DATE: 11/10/16  
 COMPLETED BY: Katherine Williams



JOB No.  SHEET No. 4 OF 4