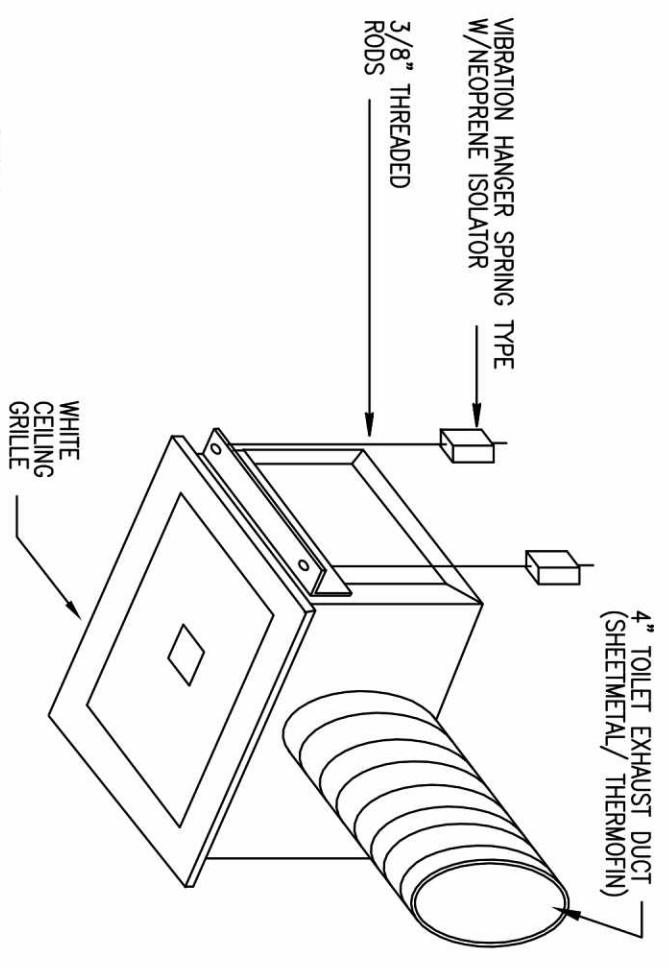
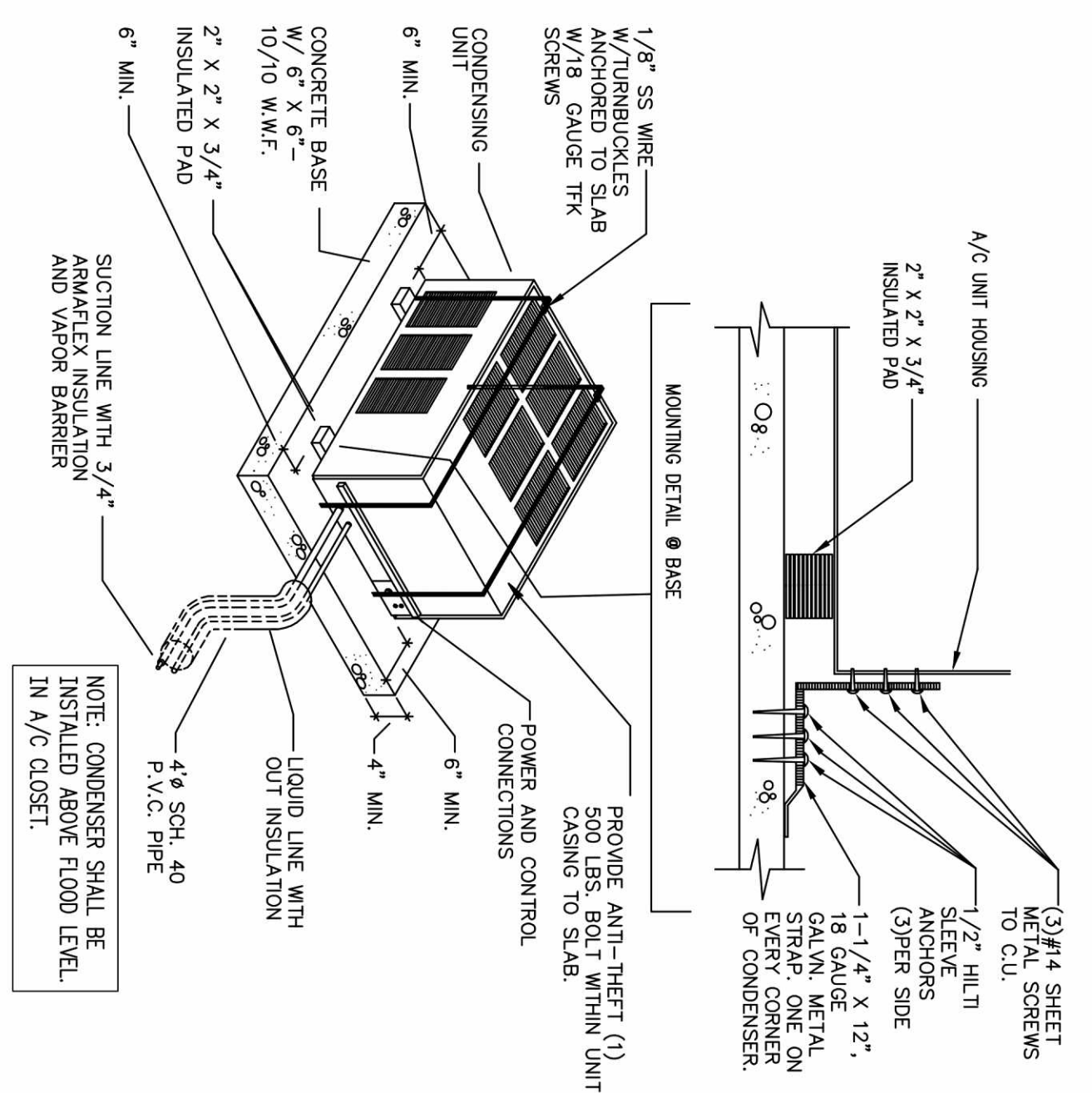


TYPICAL DUCT TAP-OFF
NOT TO SCALE



CABINET EXHAUST FAN DETAIL
N.T.S.

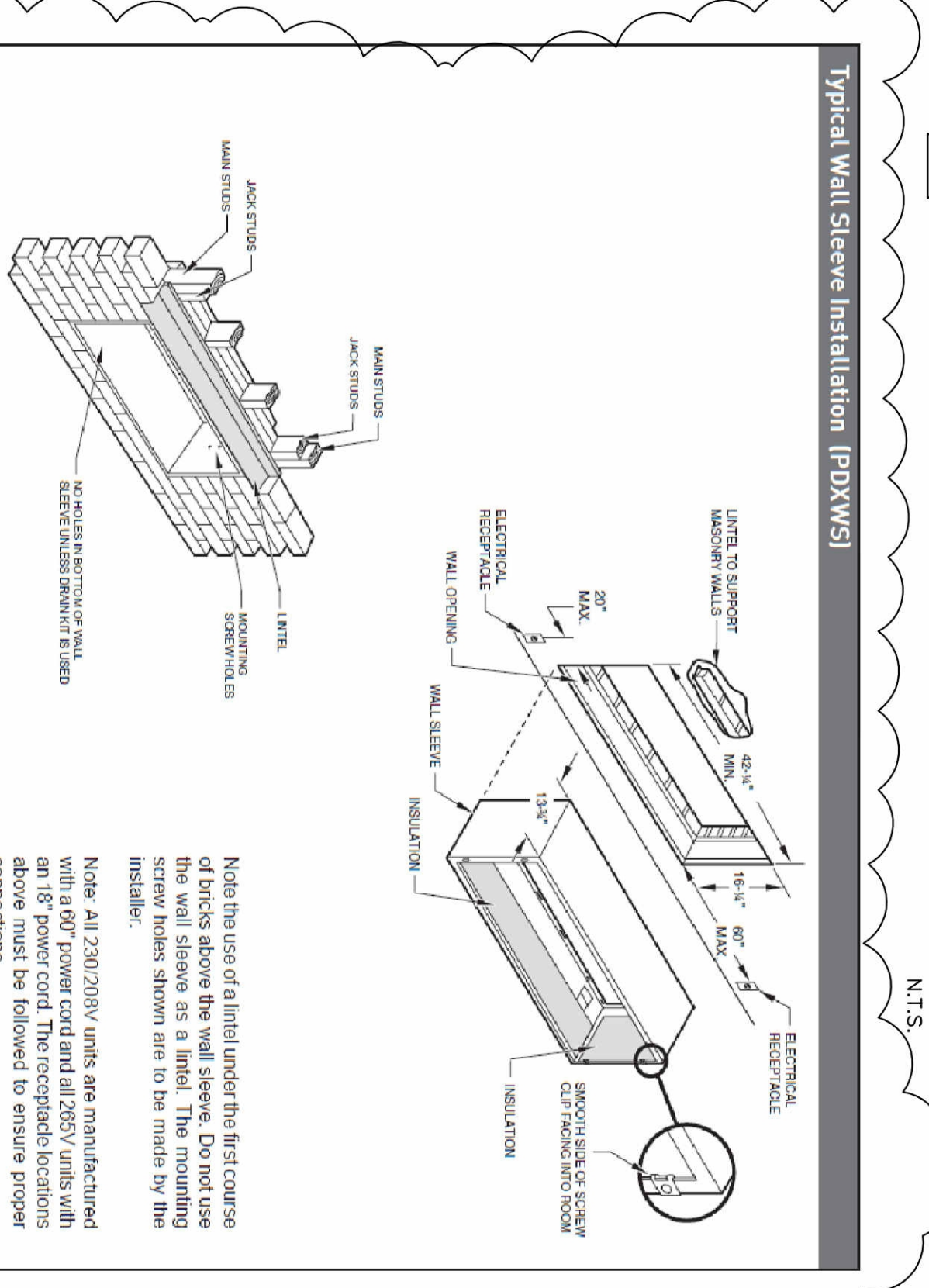
- NOTES
- 1- PROVIDE BACKDRIFT DAMPER W/ BRODSCREEN
 - 2- FLASH & SEAL WALL AND ROOF CAP FROM EXTERIOR AND SOUND INSULATION
 - 3- PROVIDE SOUND INSULATION AND SOUND INSULATION
 - 4- SUPPORT FAN FROM STRUCTURE



CONDENSING UNIT MOUNTING DETAIL
N.T.S.

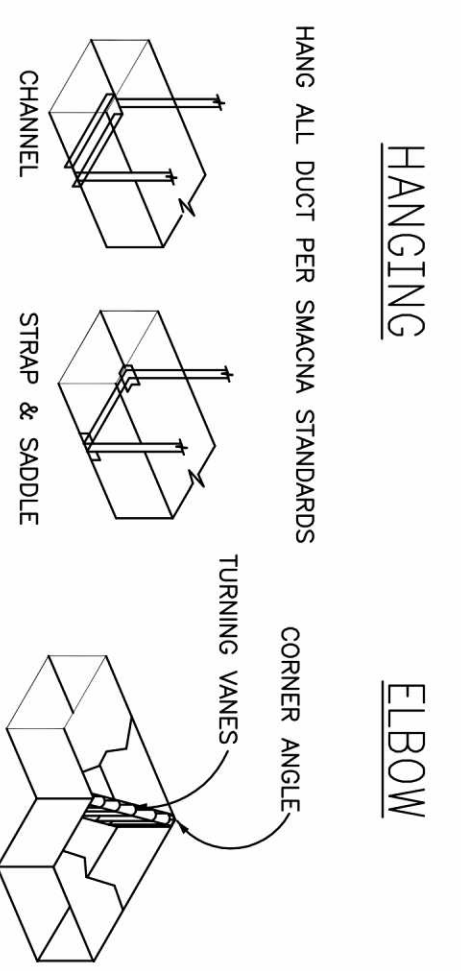
NOTE: CONCRETE SCREWS SHALL BE RATED FOR 500 LBS. MIN. PULL-OUT CAPACITY.

NOTE: CONDENSER SHALL BE INSTALLED ABOVE FLOOD LEVEL IN A/C CLOSE.

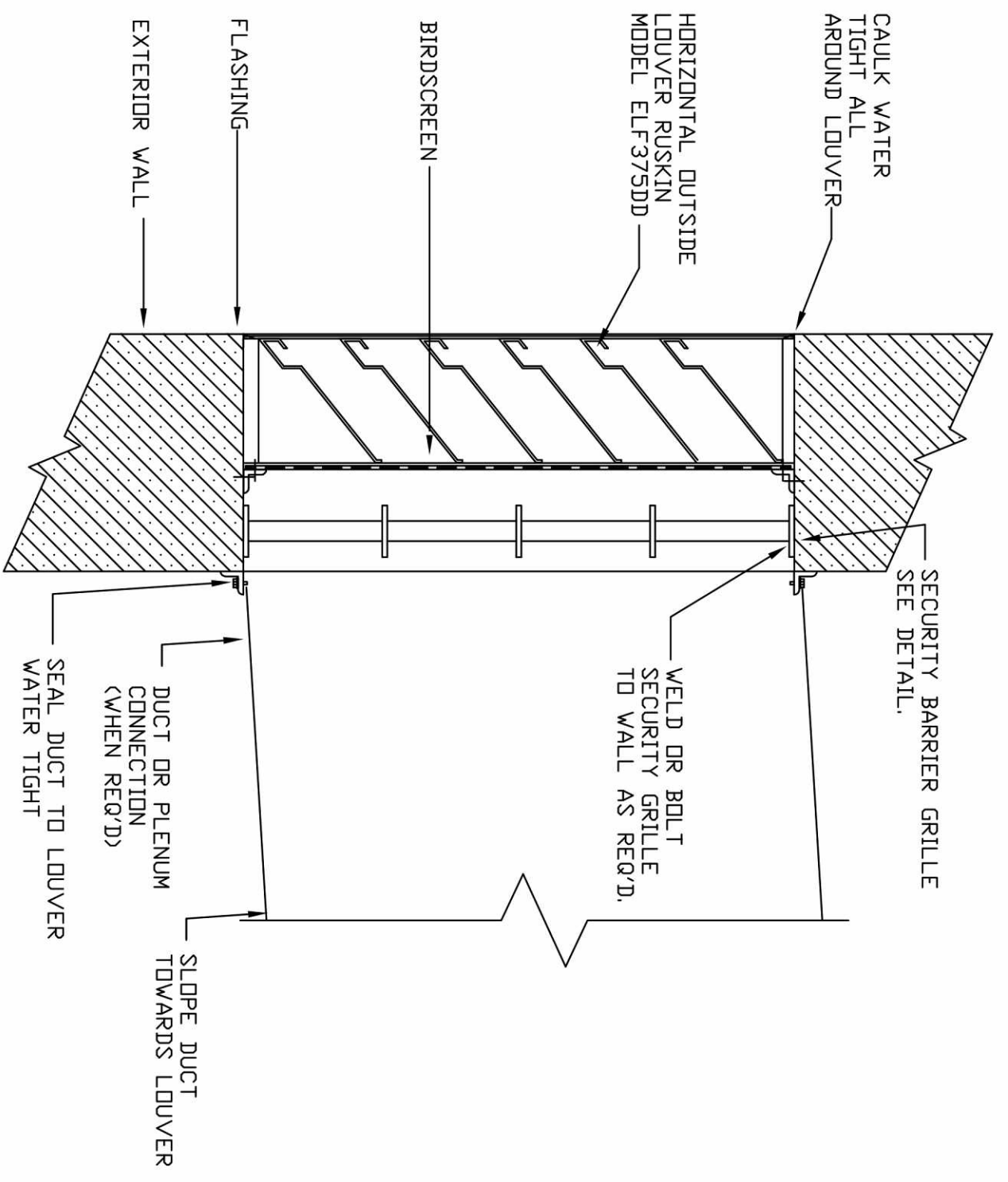


TYPICAL CONDENSATE DRAIN TRAP
N.T.S.

TRAP PIPE A/C CAPACITY
3/4\"/>

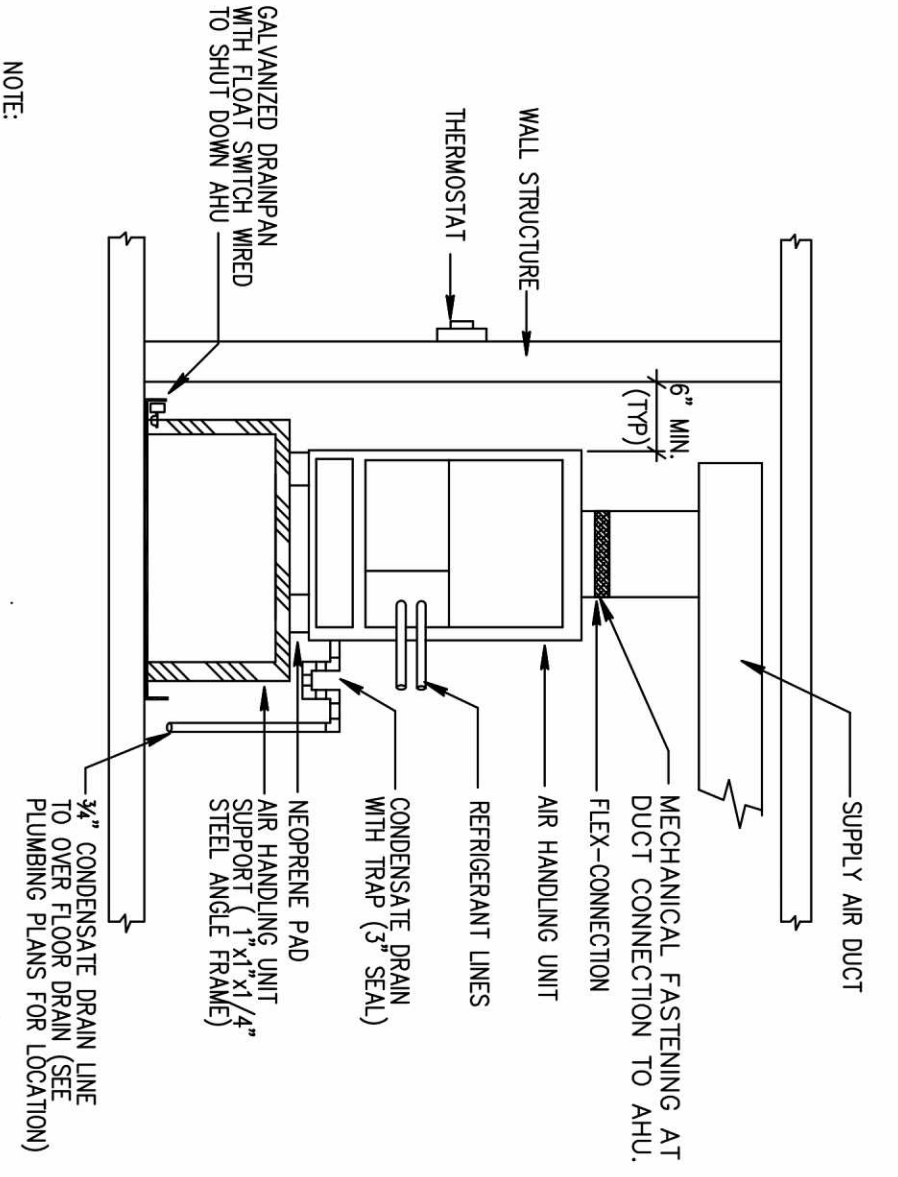


HVAC DUCT DETAILS
N.T.S.



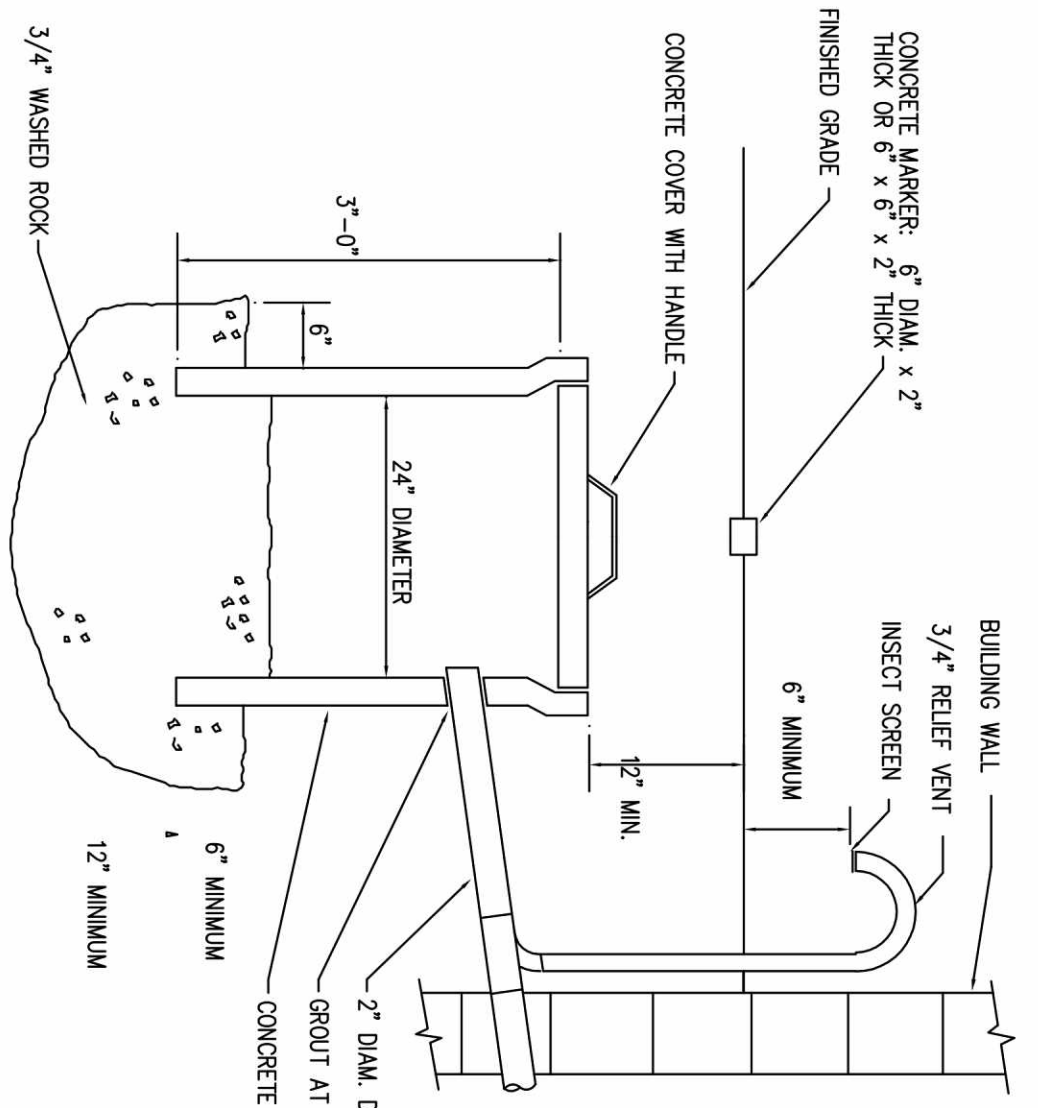
INTAKE LOUVER DETAIL
N.T.S.

NOTE: CHANNEL TYPE SHOWN FLANGE TYPE SIMILAR

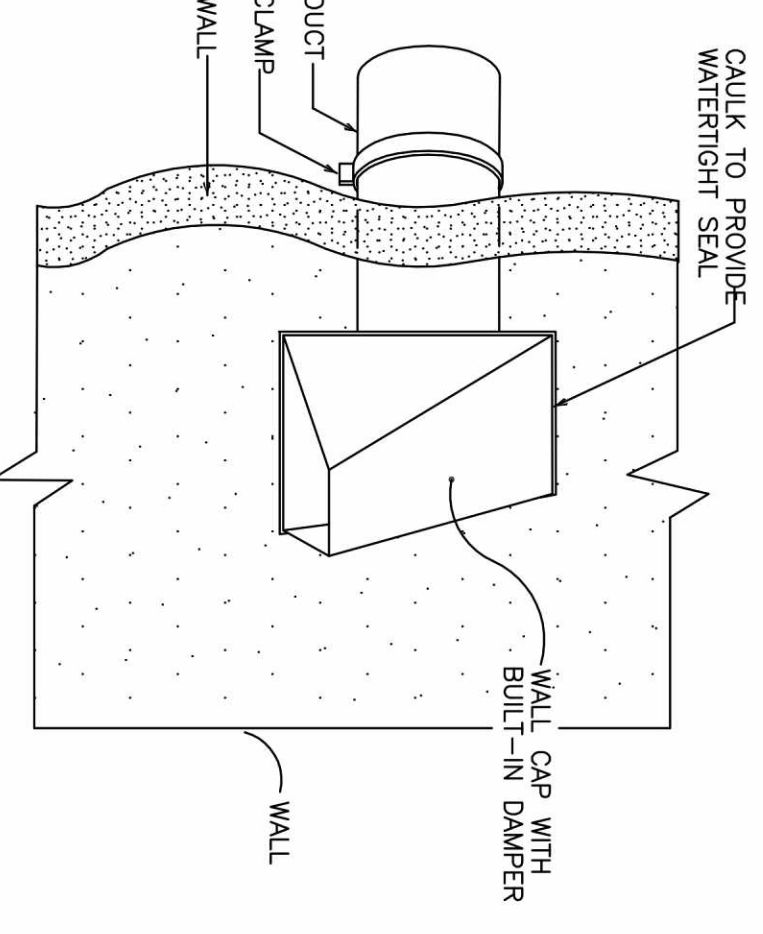


TYPICAL VERTICAL AIR UNIT DETAIL
N.T.S.

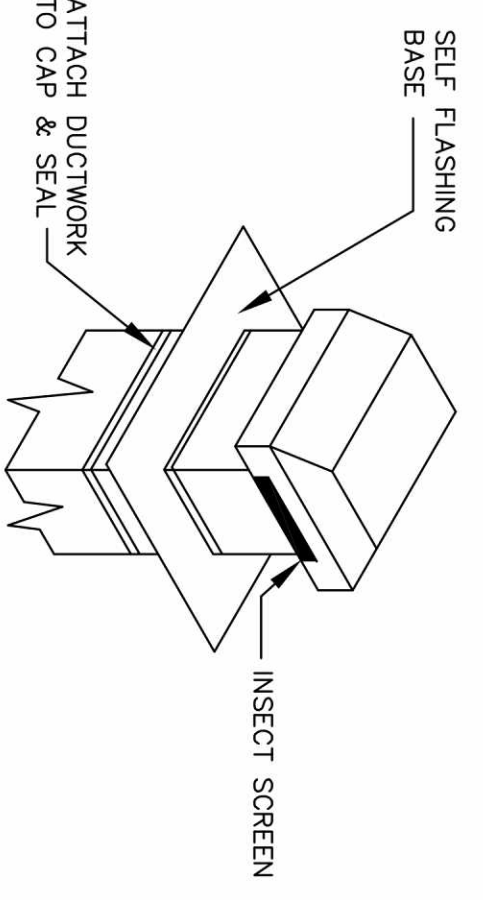
- NOTE:
1. PROVIDE MINIMUM 6\"/>



CONDENSATE DRYWELL DETAIL
NOT TO SCALE



WALL CAP DETAIL
N.T.S.



ROOF CAP DETAIL
N.T.S.

HVAC
DETAILS PLAN

1 SCALE: N.T.S.

engineering inc
Solutions International Plaza
1109
Coral Gables, Florida 33134
Phone > 305 444 9899
Fax > 305 444 9827
www.apep-inc.com

Amantis Rodriguez, P.E.
License Number 60226
C.A. 26389

Signature _____
Date _____