

**EVALUATION REPORT OF  
UNION CORRUGATING COMPANY  
'26 GA. R OR PBR PANEL'**

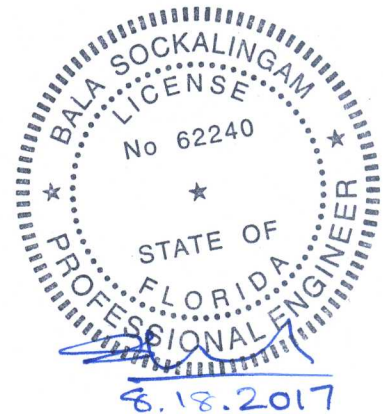
**FLORIDA BUILDING CODE 6<sup>TH</sup> EDITION (2017)  
FLORIDA PRODUCT APPROVAL  
FL 9557.3-R4  
PANEL WALLS  
SIDING**

**Prepared For:  
Union Corrugating Company  
701 S. King St.  
Fayetteville, NC 28301  
Telephone: (910) 483-0479  
Fax: (910) 483-1091**

**Prepared By:  
Bala Sockalingam, Ph.D., P.E.  
Florida Professional Engineer #62240  
1216 N Lansing Ave., Suite C  
Tulsa, OK 74106  
Telephone: (918) 492-5992  
FAX: (866) 366-1543**

**This report consists of  
Evaluation Report (2 Pages including cover)  
Installation Details (1 Page)  
Load Span Table (1 Page)**

**Report No. C2173-3  
Date: 8.18.2017**



Manufacturer: Union Corrugating Company

Product Name: R or PBR Panel

Panel Description: 36" wide coverage with (4) 1.25" high ribs

Materials: Min. 26 ga., 80 ksi steel or min. 24 ga., 50 ksi steel. Galvanized coated steel (ASTM A653) or Galvalume coated steel (ASTM A792) or painted steel (ASTM A755)

Support Description: Min. 16 ga., min 50 ksi steel section. (Must be designed by others)

Design Pressure:  
(Factor of Safety = 2)  
(3 or more spans) -23.5 psf @ support spacing of 96 o.c.  
-45.5 psf @ support spacing of 60 o.c.  
-163 psf @ support spacing of 20 o.c.  
20 psf @ support spacing of 96 o.c.  
96 psf @ support spacing of 20 o.c.

Panel Attachment:  
At panel ends #12-14 x 1-1/4" long SDS with washer @ 7"-5"-7" o.c. across panel width  
At interior supports #12-14 x 1-1/4" long SDS with washer @ 12" o.c. across panel width

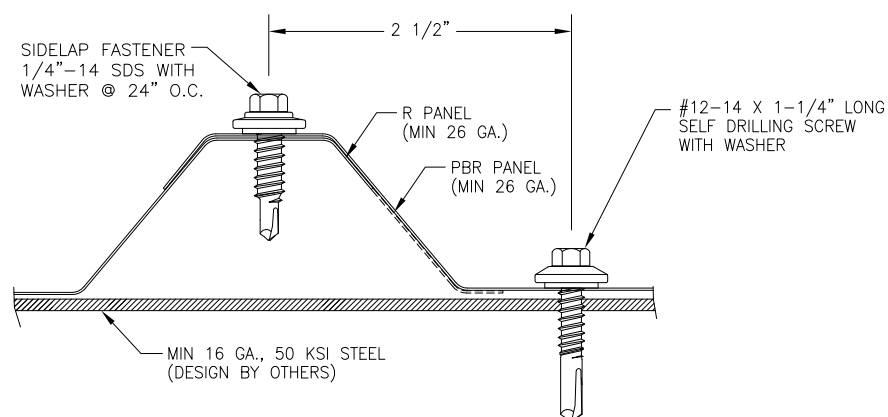
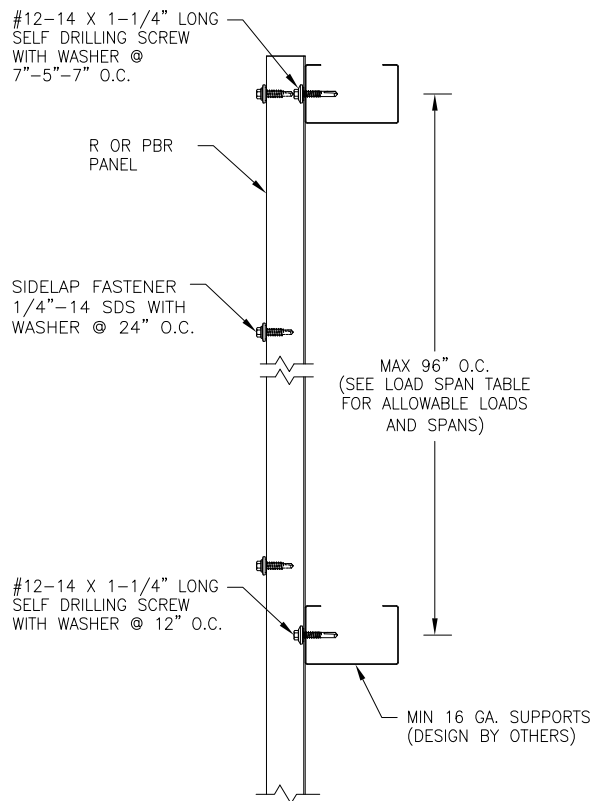
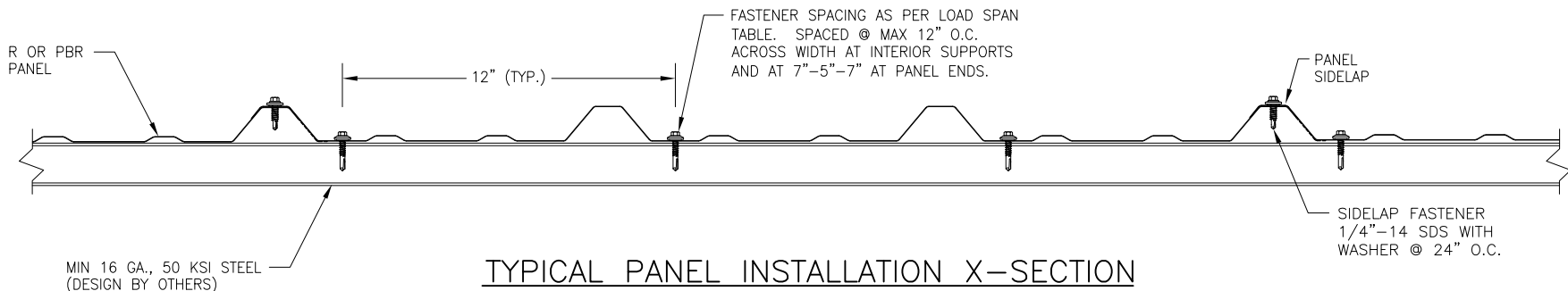
Sidelap Attachment: 1/4"-14 x 7/8" long SDS with washer @ 24" o.c.

Test Standards: Wall assembly tested in accordance with ASTM E1592-05(2012) 'Test Method for Structural Performance of Sheet Metal Roof and Siding Systems by Uniform Static Air Pressure Difference'

Code Compliance: The product described herein has demonstrated compliance with FBC 2017 Section 1404.5.

Product Limitations: Design wind loads shall be determined for each project in accordance with FBC 2017 Section 1609 or ASCE 7-10 using allowable stress design. The maximum support spacing listed herein shall not be exceeded. The design pressure for reduced support spacing may be computed using rational analysis prepared by a Florida Professional Engineer or based on Union load span table. This evaluation report is not applicable in High Velocity Hurricane Zone.

Supporting Documents: ASTM E1592 Test Reports  
ENCON Technology Inc.  
Project No. C2054-1, Reporting Date 10/16/15



**GENERAL NOTES:**

1. STRUCTURAL WALL PANEL HAS BEEN DESIGNED IN ACCORDANCE WITH THE FLORIDA BUILDING CODE (FBC).
2. WALL PANELS SHALL BE 26 GA. (t = 0.0175"). EFFECTIVE COVERING WIDTH OF PANEL = 36".
3. THE WALL PANELS SHALL BE INSTALLED OVER STRUCTURE AS SPECIFIED ON THIS DRAWING.
4. REQUIRED DESIGN WIND LOADS SHALL BE DETERMINED FOR EACH PROJECT. THIS PANEL SYSTEM MAY NOT BE INSTALLED WHEN THE REQUIRED DESIGN WIND LOADS ARE GREATER THAN THE ALLOWABLE DESIGN LOADS.
5. ALL FASTENERS MUST BE IN ACCORDANCE WITH THIS DRAWING & THE FLORIDA BUILDING CODE. IF A DIFFERENCE OCCURS BETWEEN THE MINIMUM REQUIREMENTS OF THIS DRAWING & THE CODE, THE CODE SHALL CONTROL.
6. SUPPORTS MUST BE DESIGNED TO WITHSTAND WIND LOADS AS REQUIRED FOR EACH APPLICATION AND ARE THE RESPONSIBILITY OF OTHERS.

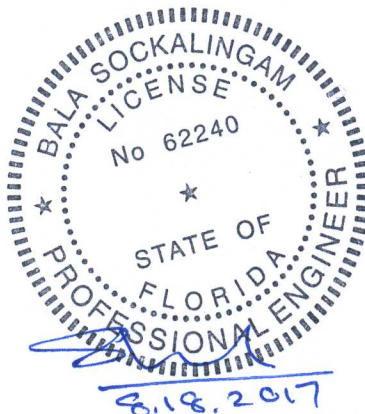
DRAWN BY: B.S.	CHECKED BY: J.S.
PLOT:	DATE: 10/19/15
DATE	
BY	
NO.	REVISION DESCRIPTION
DRAWING TITLE <b>R OR PBR PANEL</b>	
CONSULTANTS <b>BALA SOCKALINGAM, PH.D., P.E.</b>	
MANUFACTURER <b>UNION CORRUGATING CO.</b> 701 S. KING STREET FAYETTEVILLE, NC 28301 910-483-0479	
1216 N LANSING AVE, SUITE C TULSA, OK 74106 PHONE: 918-492-5992 FAX: 866-366-1543	
DRAWING NO.	REV.
2173-3	
PAGE NO.	
1	1

**UNION CORRUGATING COMPANY**  
**R or PBR Wall Panel**  
**Allowable Design Loads**

Support Spacing (in)	Allowable Design Loads (psf)	
	Inward	Outward
20	96.0	-163.0
24	80.0	-135.8
28	68.6	-116.4
32	60.0	-101.9
36	53.3	-90.6
40	48.0	-81.5
44	43.6	-74.1
48	40.0	-67.9
52	36.9	-60.6
56	34.3	-52.2
60	32.0	-45.5
64	30.0	-42.7
68	28.2	-40.1
72	26.7	-37.9
76	25.3	-35.7
80	24.0	-33.3
84	22.9	-30.7
88	21.8	-28.0
92	20.9	-25.6
96	20.0	-23.5

**Notes:**

1. Allowable load is the lowest value of panel strength, connection strength & deflection limit of L/120.
2. Allowable load is applicable to three or more spans conditions.
3. Panels must be installed as per Evaluation Report FL 9557.3 and Union current installation procedure
4. The structural capacity of support beam are not considered and must be examined independently.
5. Minimum support thickness is 16 ga.



1216 N Lansing Ave., Suite C  
Tulsa, Ok 74106  
918 492 5992

Bala Sockalingam, Ph.D., P.E.  
FL 62240