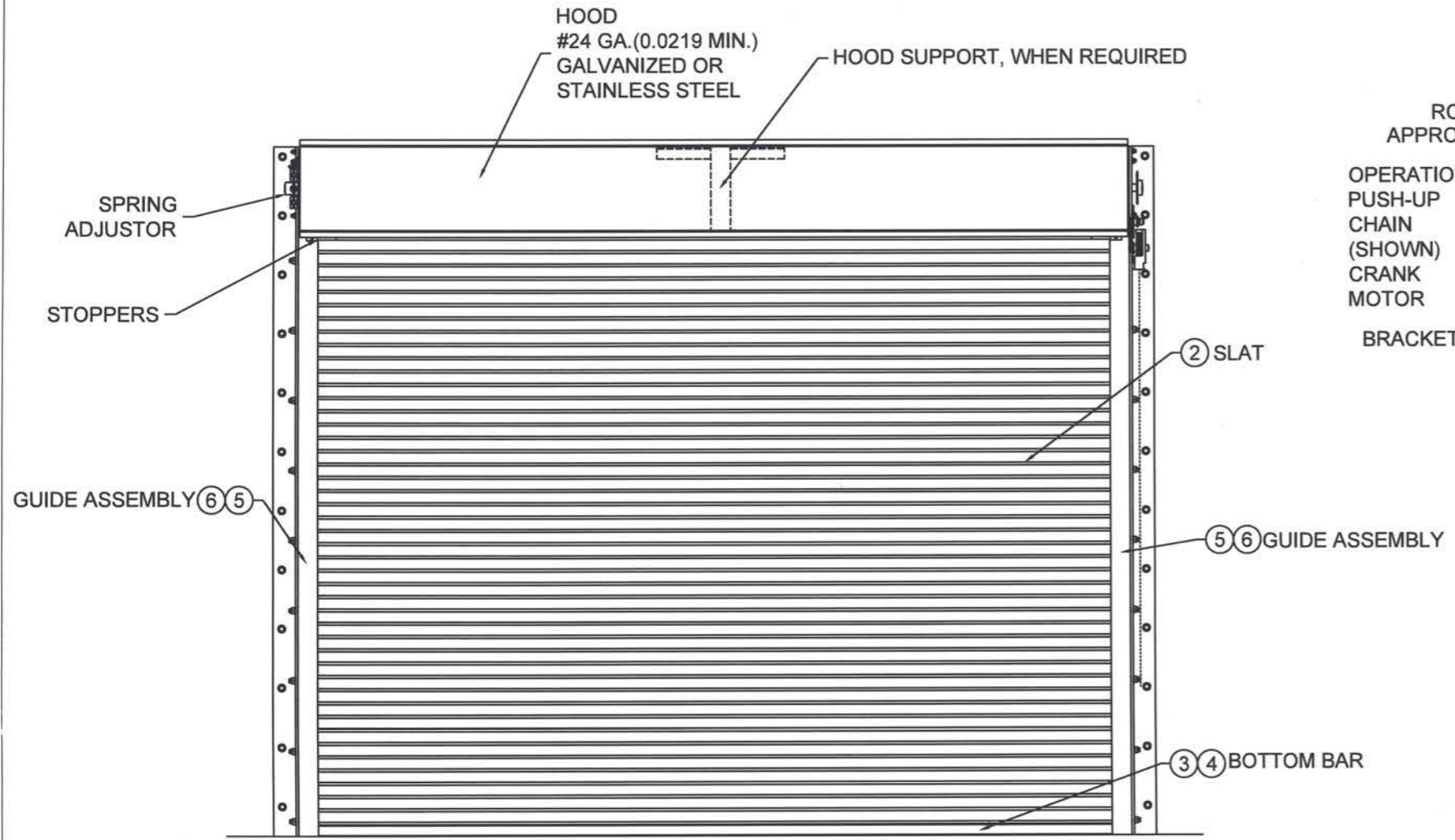
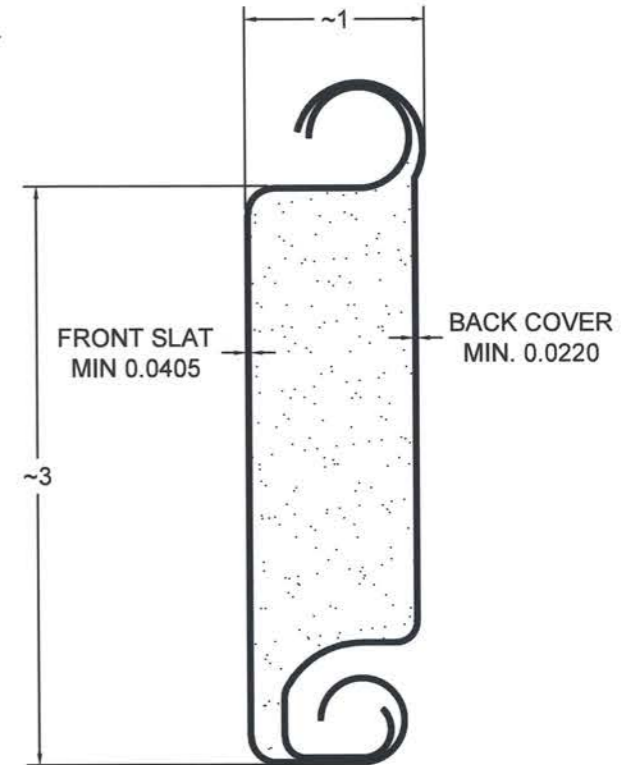
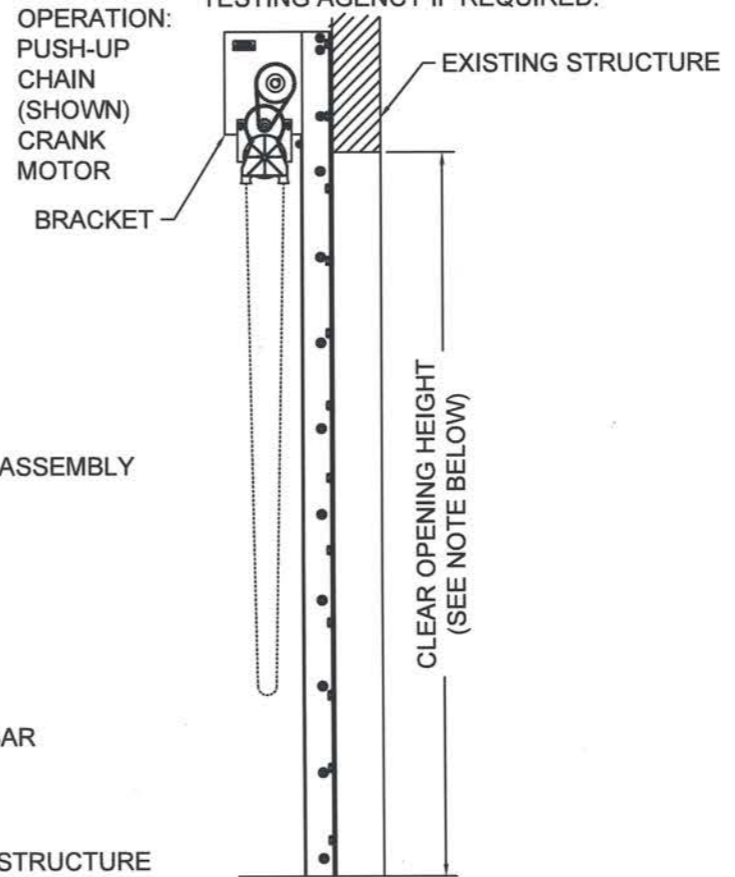


L'TR	REVISION	DATE	BY	E.C.O.
*	ORIGINAL ISSUE	10/13/14	TJE	1615
A	REMOVED SPECIFIC ENDLOCK, ADD INNER ANGLE NOTE	12/13/17	CJR	1663
B	REVISED BOTTOM BAR DETAIL; HOOD SUPPORT UPDATE	02/19/20	MAN	2027

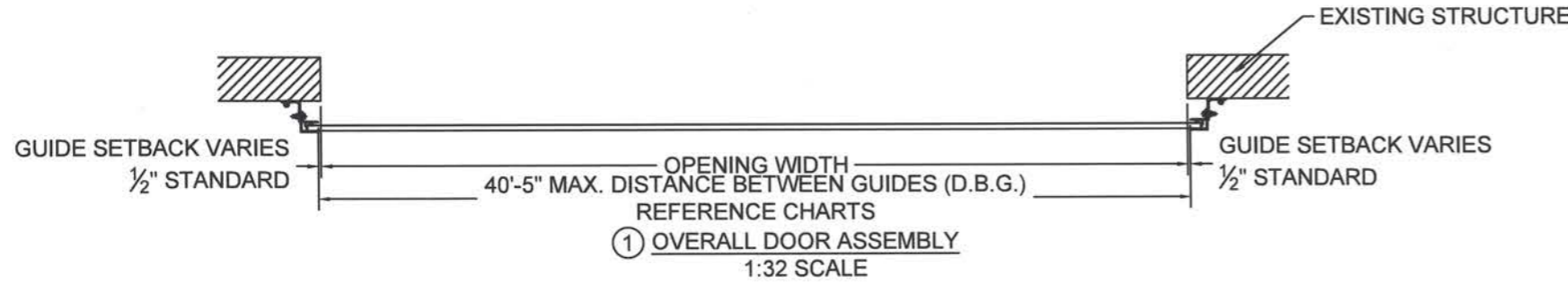


ROLL-UP MECHANISM NOT INCLUDED IN THIS APPROVAL. MUST BE CERTIFIED BY AN INDEPENDENT TESTING AGENCY IF REQUIRED.



② SLAT DETAIL  
TYPICAL SECTION

ASTM A653 HSLAS TYPE B GRADE 40 G40 OR  
ASTM A653 HSLAS TYPE A GRADE 40 G40 OR  
ASTM A653 STRUCTURAL STEEL GRADE 40 G40  
OR TYPE 304 STAINLESS STEEL (MIN. YIELD 40,000 psi)  
OR TYPE 316 STAINLESS STEEL (MIN. YIELD 40,000 psi)  
OR TYPE 430 STAINLESS STEEL (MIN. YIELD 40,000 psi)  
OR TYPE 201 STAINLESS STEEL (MIN. YIELD 40,000 psi)  
FULL SCALE

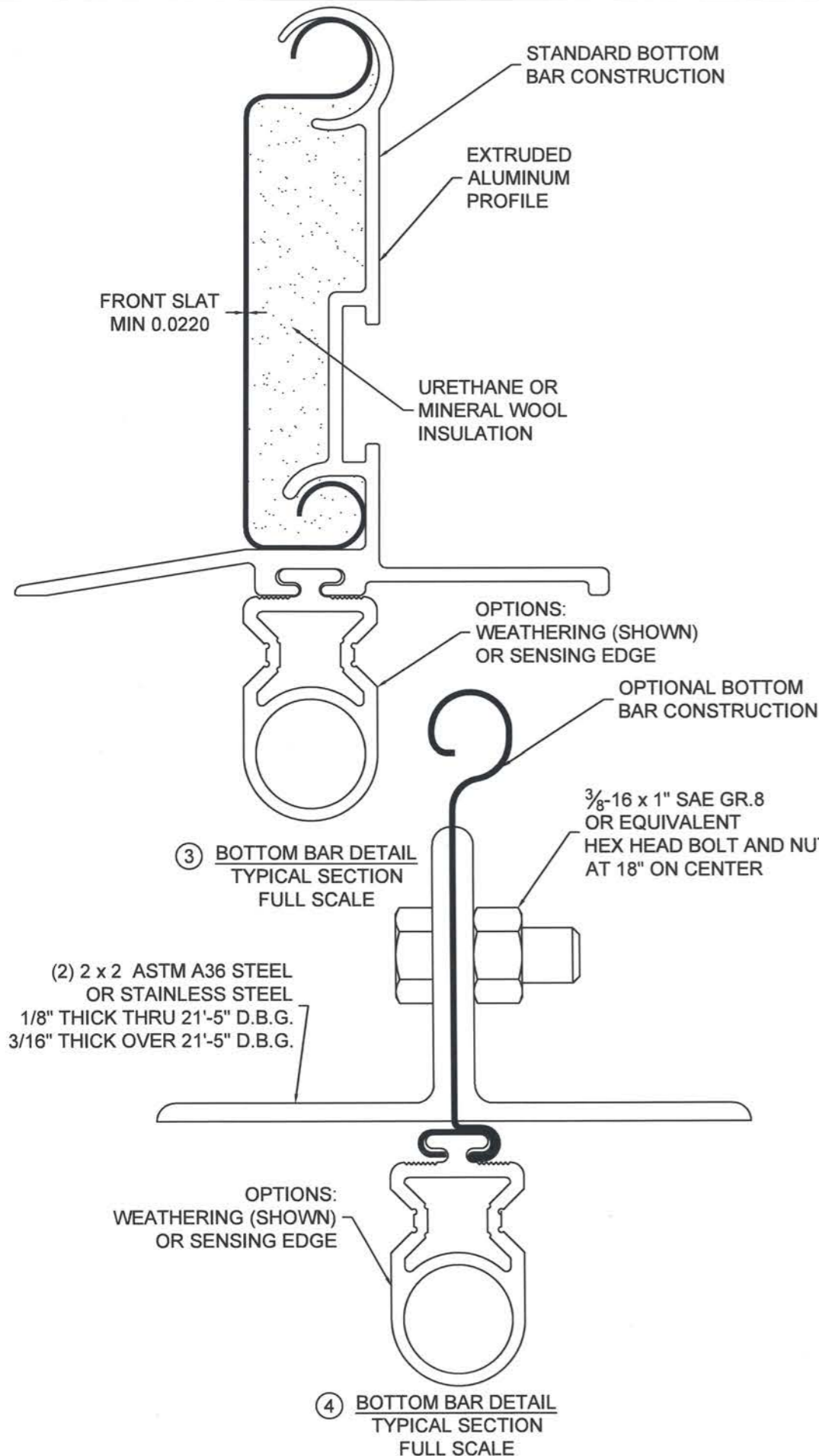


NOTE: WIND LOADS SPECIFIED IN TABLES ARE ACCEPTABLE FOR ANY C.O.H.. FOR GREATER THAN 30 FT, C.O.H., MOUNTING CONDITIONS SHALL BE DETERMINED ON A SITE SPECIFIC BASIS.



	24 ELMWOOD AVE 1901 S. LITCHFIELD RD MOUNTAINTOP, PA GOODYEAR, AZ		Unless otherwise specified, dimensions are in inches & tolerances are:			
	P: 800.233.8366 F: 800.526.0841 E: ADS@CORNELLIRON.COM		0.000 = +/- 0.031 FRACTIONAL = +/- 1/32 ANGLES = +/- 1/2 DEG			
TITLE: WIND LOAD CONFIGURATION INSULATED ROLLING STEEL DOOR CP0001/CP0651 SLAT IMPACT RATED			DRAWN BY: <b>TJE</b>	SIZE: <b>B</b>	SCALE: <b>AS NOTED</b>	SHEET: <b>1/27</b>
			DWG NO: <b>ES-16-64-CIW</b>			

L'TR	REVISION	DATE	BY	E.C.O.
*	ORIGINAL ISSUE	10/13/14	TJE	1615
A	REMOVED SPECIFIC ENDLOCK, ADD INNER ANGLE NOTE	12/13/17	CJR	1663
B	REVISED BOTTOM BAR DETAIL; HOOD SUPPORT UPDATE	02/19/20	MAN	2027



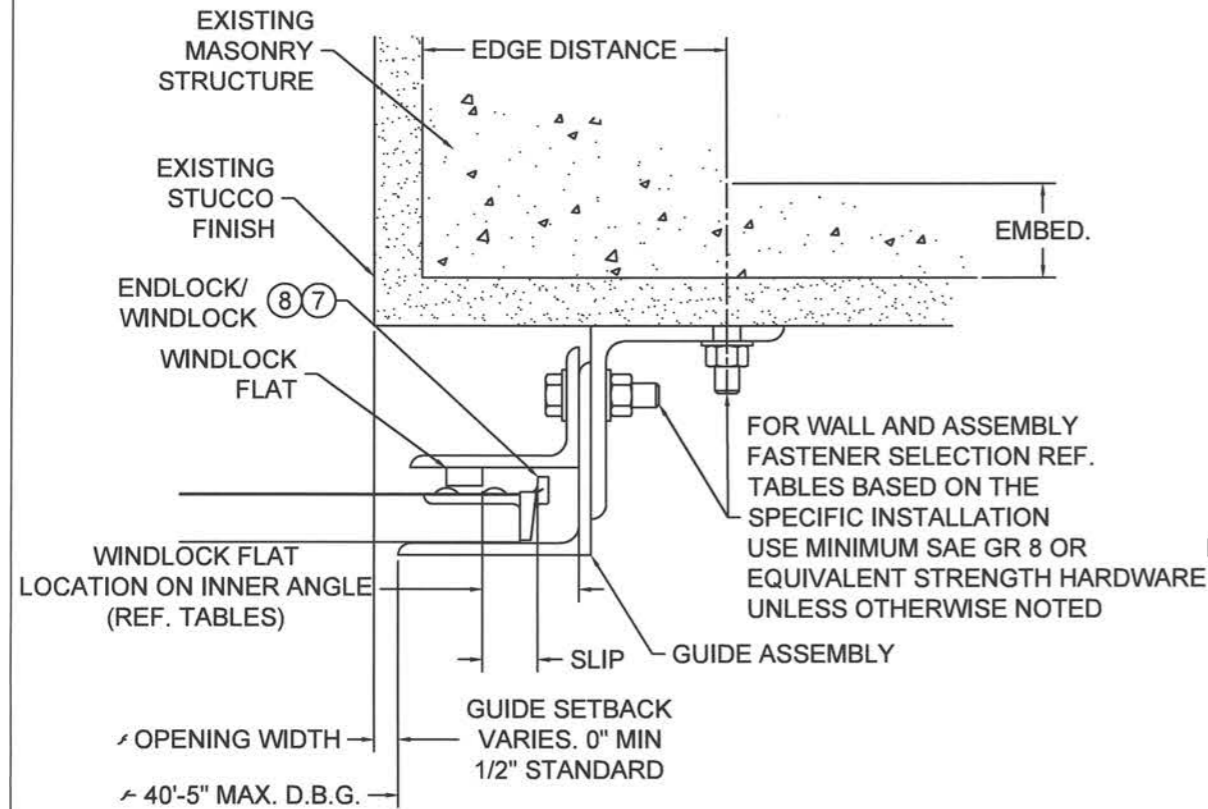
**GENERAL NOTES:**

1. THESE PRODUCT EVALUATION DOCUMENTS REPRESENT A ROLL-UP DOOR ASSEMBLY DESIGNED AND TESTED IN ACCORDANCE WITH THE STANDARD BUILDING CODE, THE INTERNATIONAL BUILDING CODE, AND THE FLORIDA BUILDING CODE.
2. THIS ROLL-UP DOOR HAS BEEN TESTED FOR UNIFORM STATIC PRESSURE, IMPACT AND FATIGUE RESISTANCE IN ACCORDANCE WITH THE FBC TEST PROTOCOLS FOR HIGH VELOCITY HURRICANE ZONES TAS 201, TAS 202, AND TAS 203.
3. A 33% INCREASE IN ALLOWABLE STRESS HAS NOT BEEN USED IN THE DESIGN OF THIS PRODUCT.
4. DETERMINE THE POSITIVE AND NEGATIVE DESIGN LOADS TO USE WHEN REFERENCING THESE DOCUMENTS IN ACCORDANCE WITH THE GOVERNING CODE AND GOVERNING WIND VELOCITY.
5. THESE PRODUCT EVALUATION DOCUMENTS ARE PREPARED BY THE PRODUCT ENGINEER AND ARE GENERIC. THEY DO NOT INCLUDE INFORMATION PREPARED FOR A SPECIFIC SITE.
6. THESE PRODUCT EVALUATION DOCUMENTS ARE NOT VALID FOR PERMIT WITHOUT ORIGINAL SIGNATURE, DATE AND EMBOSSED SEAL ON EACH PERMIT COPY, WHETHER OR NOT A MASTER APPROVAL DOCUMENT IS ON FILE WITH A MUNICIPALITY OR OTHER GOVERNING AGENCY.
7. THESE PRODUCT EVALUATION DOCUMENTS ARE SUITABLE TO BE APPLIED BY THE CONTRACTOR PROVIDED THE CONTRACTOR DOES NOT DEVIATE FROM THE CONDITIONS DETAILED HEREIN AND THE CONTRACTOR VERIFIES THE EXISTING STRUCTURE IS CAPABLE OF SUPPORTING THE SUPERIMPOSED LOADS Vx & Vy ON THE JAMBS OF THE DOOR.
8. ALTERATIONS OR ADDITIONS TO THIS DOCUMENT ARE NOT PERMITTED.
9. WHEN THE SITE CONDITIONS DEVIATE FROM THESE PRODUCT EVALUATION DOCUMENTS, SITE SPECIFIC DOCUMENTS SHALL BE PREPARED BY A DULY LICENSED AND REGISTERED ENGINEER OR ARCHITECT.
10. IF THE DEVIATING SITE SPECIFIC DOCUMENTS ARE PREPARED BY A DELEGATED REGISTERED ENGINEER OR ARCHITECT, SAID DOCUMENTS SHALL BEAR THE DATE, SIGNATURE, AND EMBOSSED SEAL OF THE DELEGATED ENGINEER OR ARCHITECT AND SHALL BE SUBMITTED TO THE PROJECT ENGINEER FOR REVIEW.
11. ALL BOLTS AND WASHERS SHALL BE GALVANIZED STEEL, PLATED STEEL, OR STAINLESS STEEL
12. ALL WINDLOCK RIVETS SHALL BE 1/4" STEEL RIVETS IFI GRADE 30 WITH A MINIMUM TENSILE STRENGTH OF 1,850 Lbs., AND SHEAR STRENGTH OF 2,400 Lbs., U.O.N.. RIVETS TO BE INSTALLED IN ALL WINDLOCK HOLES.
13. ENDLOCKS/WINDLOCKS SHALL BE CAST MALLEABLE IRON TYPE 32510 PER ASTM A47 OR CAST DUCTILE IRON PER ASTM A536 GRADE 65-45-12.
14. ALL WELDING SHALL BE PERFORMED BY QUALIFIED WELDERS IN ACCORDANCE WITH A.W.S. SPECIFICATIONS, LATEST EDITION. ALL WELDING ELECTRODES SHALL CONFORM TO A.W.S. A5.1 GRADE E-70. MINIMUM WELDING PROCESSES SHALL BE ARC WELDING A.W.S. E7014 OR MIG WELDING A.W.S. ER70S-6.
15. ANCHOR NOTES:  
A. EMBEDMENT LENGTH DOES NOT INCLUDE STUCCO FINISH.  
B. ANCHORS SHALL BE INSTALLED IN ACCORDANCE WITH MANUFACTURERS SPECIFICATIONS.  
C. ANCHOR CAPACITY FOR THIS ROLL-UP DOOR IS BASED ON MIN. 3,000 P.S.I. CONCRETE EXCEPT WHERE NOTED..  
D. FOR MINIMUM EMBEDMENT AND MINIMUM EDGE DISTANCE, REFER TO TABLES.
16. DOOR MAY BE INSTALLED ON THE INSIDE OR OUTSIDE OF AN EXTERIOR WALL
17. ALL SHAPES USED FOR GUIDE ASSEMBLIES MUST CONFORM TO ASTM A36 FOR STEEL OR ASTM A276 FOR TYPES 304 OR 316 WITH A MINIMUM 36 KSI YIELD STRENGTH
18. ALL INNER ANGLE THICKNESSES IN THIS EVALUATION ARE LISTED AS MINIMUM VALUES. THICKER ANGLES MAY BE SUPPLIED FOR THE INNER ANGLE IF REQUIRED BY OTHER LISTING AGENCIES.



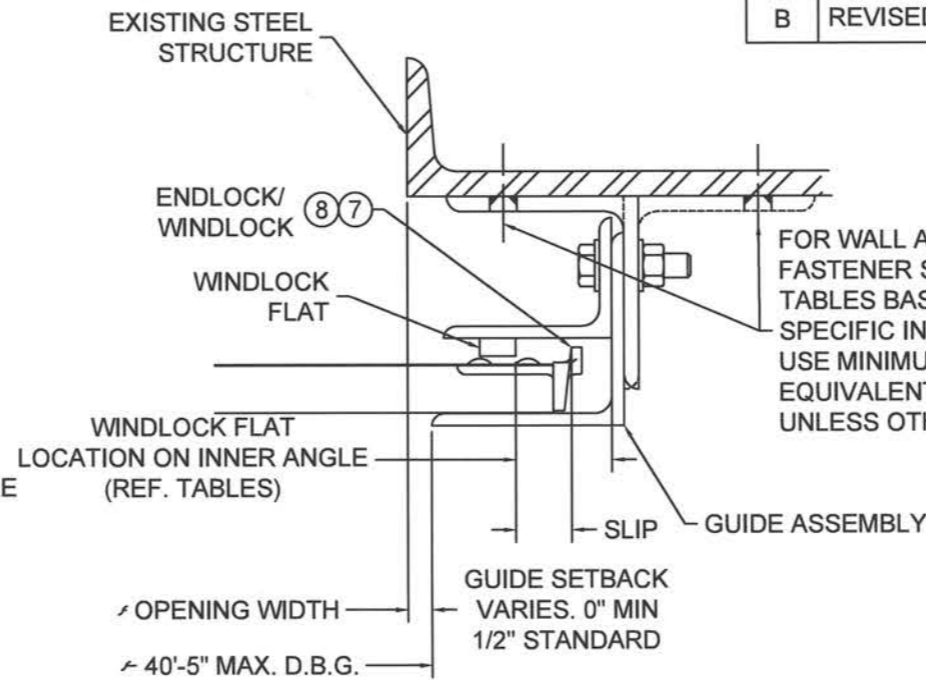
	24 ELMWOOD AVE 1901 S. LITCHFIELD RD MOUNTAINTOP, PA GOODYEAR, AZ	Unless otherwise specified, dimensions are in inches & tolerances are:  0.000 = +/- 0.031 FRACTIONAL = +/- 1/32 ANGLES = +/- 1/2 DEG
	P: 800.233.8366 F: 800.526.0841 E: ADS@CORNELLIRON.COM	
TITLE: WIND LOAD CONFIGURATION INSULATED ROLLING STEEL DOOR CP0001/CP0651 SLAT IMPACT RATED		DRAWN BY: TJE DWG NO: ES-16-64-CIW
	SIZE: B SCALE: AS NOTED SHEET: 2/27	

L/TR	REVISION	DATE	BY	E.C.O.
*	ORIGINAL ISSUE	10/13/14	TJE	1615
A	REMOVED SPECIFIC ENDLOCK, ADD INNER ANGLE NOTE	12/13/17	CJR	1663
B	REVISED BOTTOM BAR DETAIL; HOOD SUPPORT UPDATE	02/19/20	MAN	2027

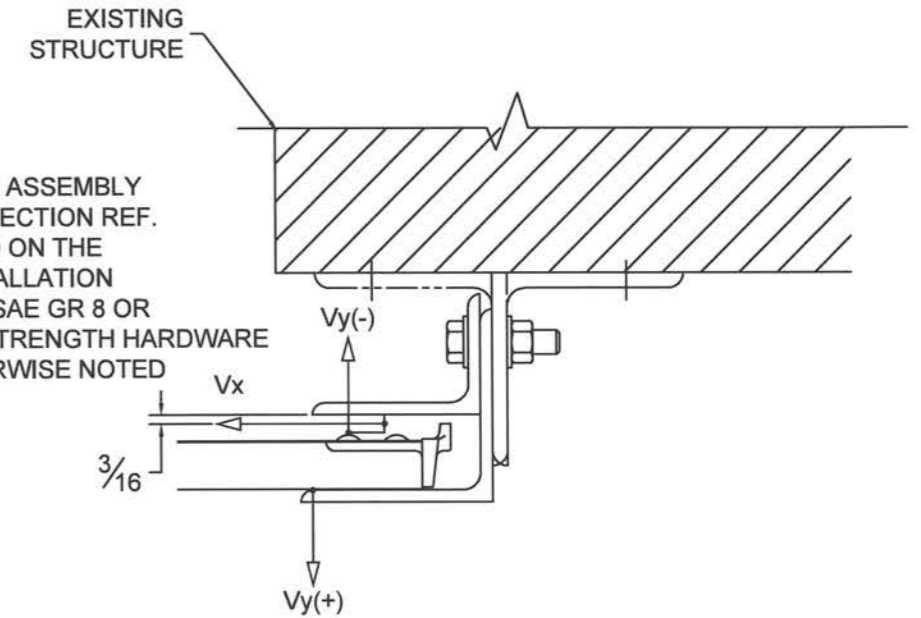


NOTE:  
THROUGH BOLTING TO FILLED BLOCK REQUIRES THE USE OF 1/4" THICK STEEL OR STAINLESS STEEL CRUSH PLATE

(5) GUIDE ASSEMBLY  
CONCRETE & MASONRY STRUCTURE  
(Z-GUIDE)



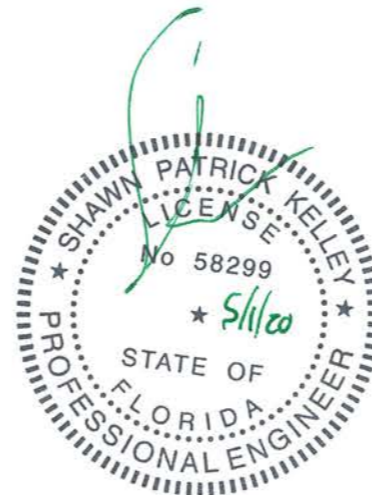
(6) GUIDE ASSEMBLY  
STEEL STRUCTURE  
(Z-GUIDE OR E-GUIDE)



NOTE:

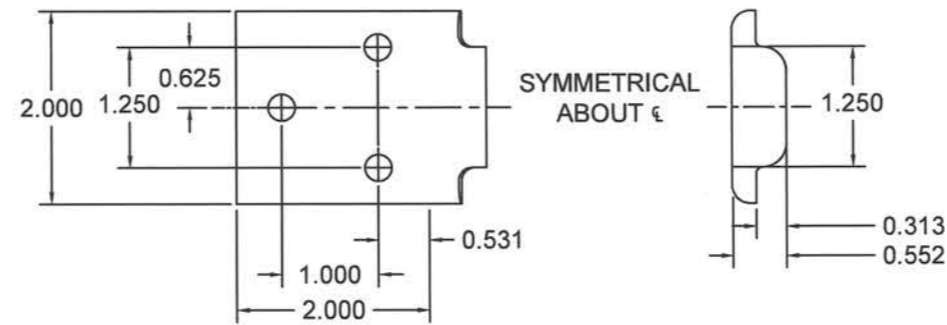
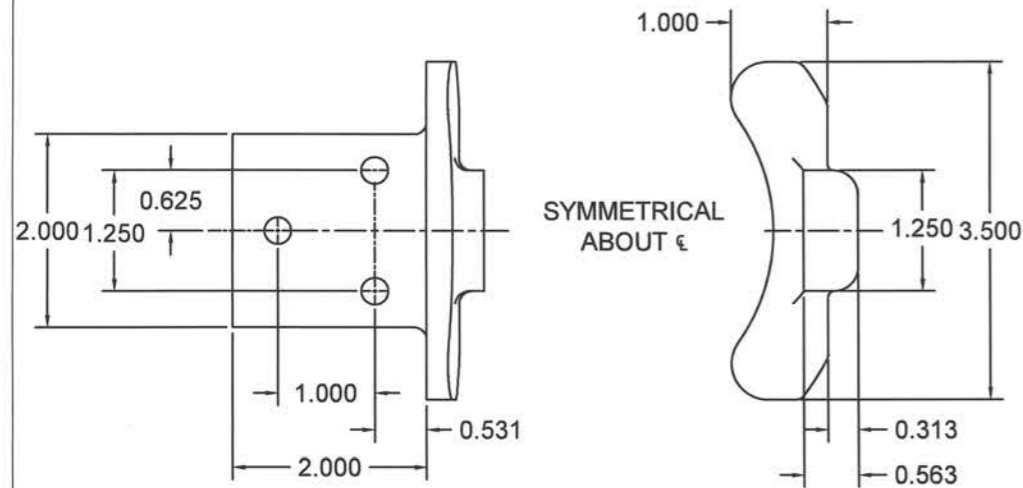
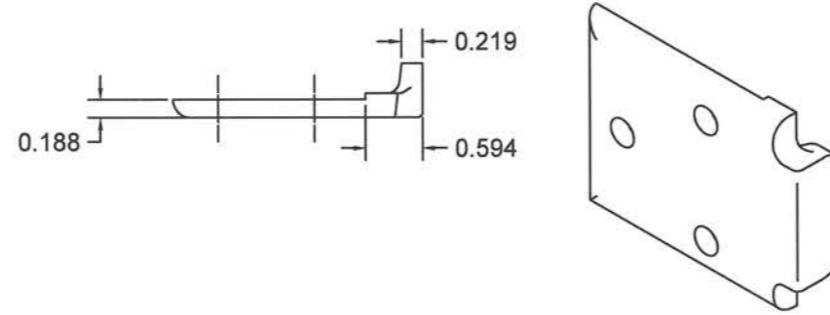
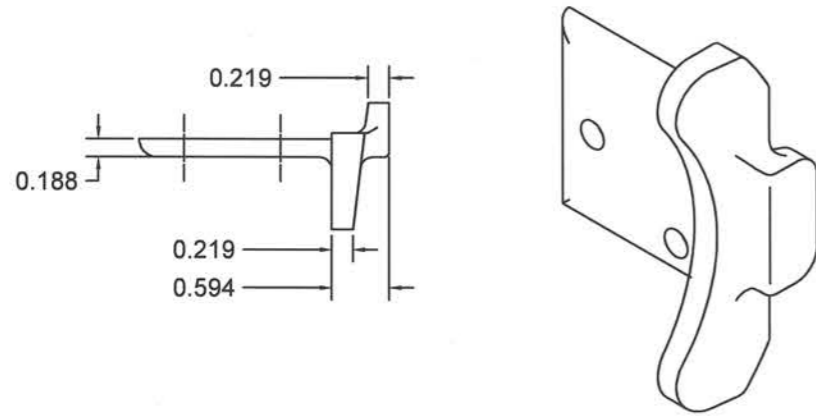
1. Vx & Vy ARE HORIZ. AND VERT. COMPONENTS OF THE REACTION, RESPECTIVELY, RESULTING FROM WIND LOADS ON THE ROLL-UP DOOR. THE EXISTING STRUCTURE SHALL BE CAPABLE OF RESISTING Vx & Vy FORCES SHOWN AND THE CORRESPONDING REACTIONS DUE TO THE ECCENTRICITIES OF THE FORCES.

(7) SUPERIMPOSED LOAD DIAGRAM  
SCALE: 3" = 1'-0"



	24 ELMWOOD AVE 1901 S. LITCHFIELD RD MOUNTAINTOP, PA GOODYEAR, AZ		Unless otherwise specified, dimensions are in inches & tolerances are:			
	P: 800.233.8366 F: 800.526.0841 E: ADS@CORNELLIRON.COM		0.000 = +/- 0.031 FRACTIONAL = +/- 1/32 ANGLES = +/- 1/2 DEG			
TITLE: WIND LOAD CONFIGURATION INSULATED ROLLING STEEL DOOR CP0001/CP0651 SLAT IMPACT RATED			DRAWN BY: <b>TJE</b>	SIZE: <b>B</b>	SCALE: AS NOTED	SHEET: <b>3/27</b>
			DWG NO: <b>ES-16-64-CIW</b>			

L'TR	REVISION	DATE	BY	E.C.O.
*	ORIGINAL ISSUE	10/13/14	TJE	1615
A	REMOVED SPECIFIC ENDLOCK, ADD INNER ANGLE NOTE	12/13/17	CJR	1663
B	REVISED BOTTOM BAR DETAIL; HOOD SUPPORT UPDATE	02/19/20	MAN	2027



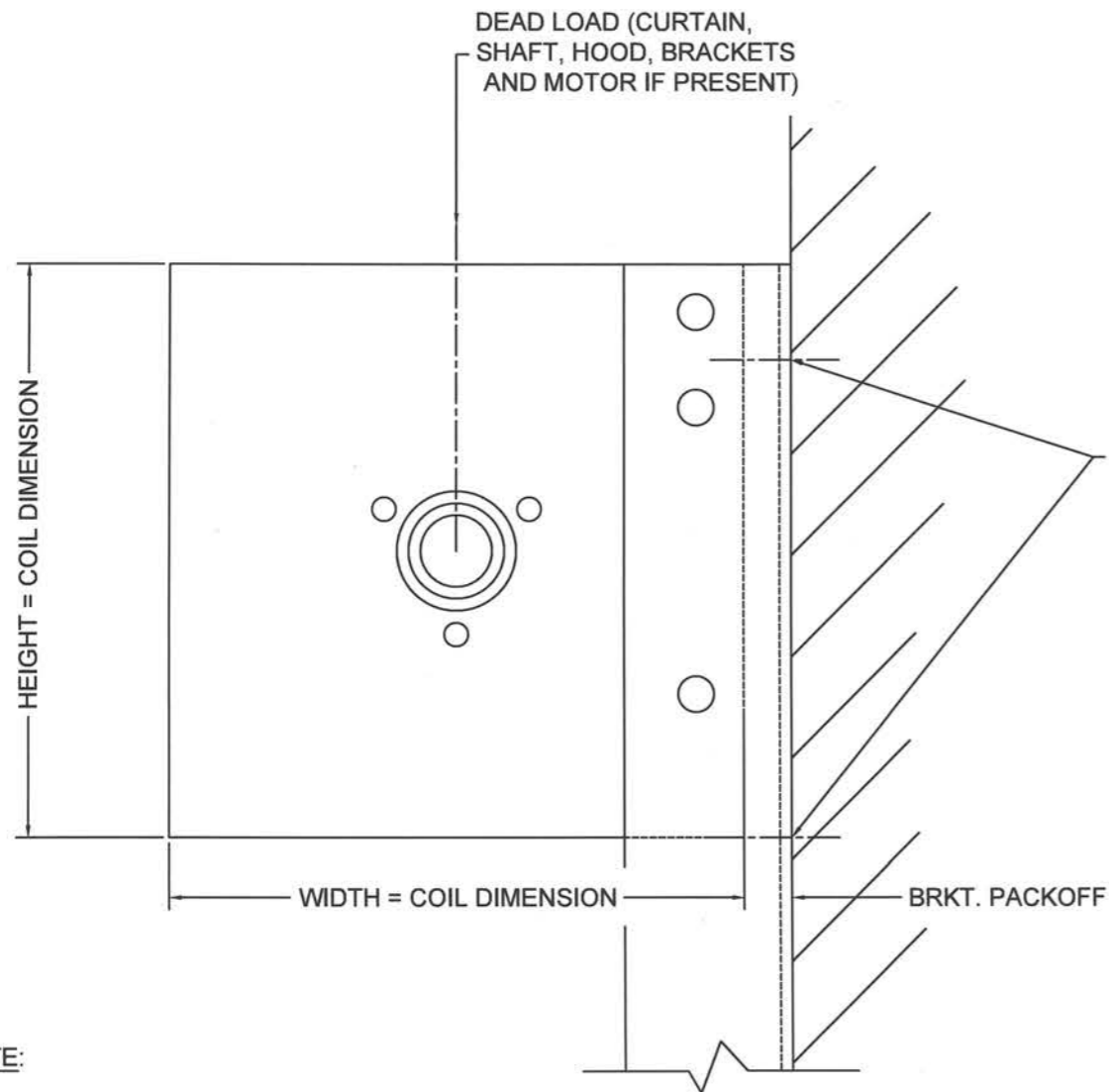
⑦ CP0630 ENDLOCK / WINDLOCK DETAIL  
 CAST MALLEABLE IRON ASTM A47, GRADE 32510, OR  
 DUCTILE IRON PER ASTM A536 GRADE 65-45-12, GALVANIZED IN ACCORDANCE WITH  
 ASTM A123, GRADE 85 ZINC-COATING  
 1/2 SCALE

⑧ CP0647 WINDLOCK DETAIL  
 CAST MALLEABLE IRON ASTM A47, GRADE 32510, OR  
 DUCTILE IRON PER ASTM A536 GRADE 65-45-12, GALVANIZED IN  
 ACCORDANCE WITH ASTM A123, GRADE 85 ZINC-COATING  
 1/2 SCALE

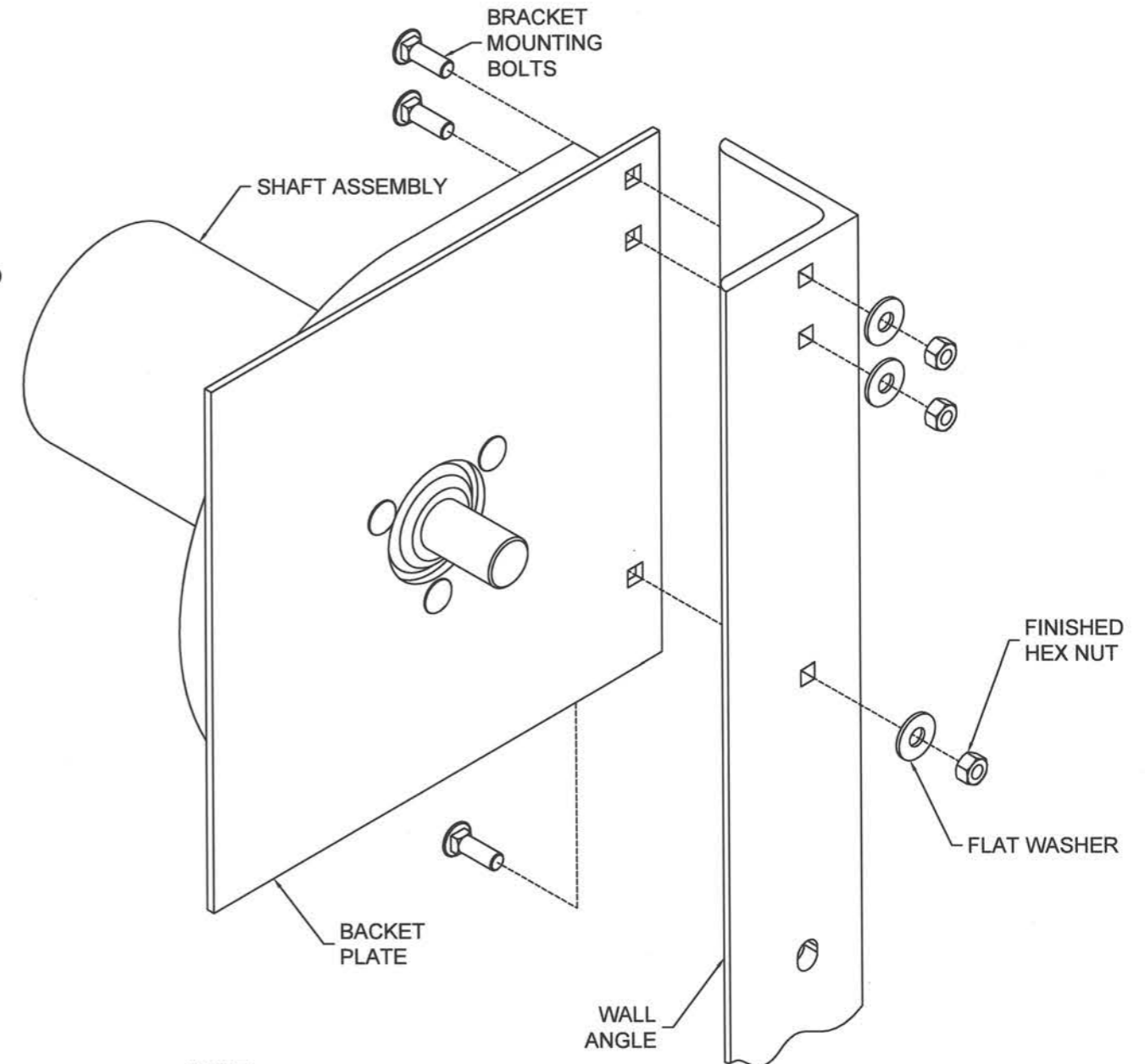


	24 ELMWOOD AVE 1901 S. LITCHFIELD RD MOUNTAINTOP, PA GOODYEAR, AZ  P: 800.233.8366 F: 800.526.0841 E: ADS@CORNELLIRON.COM	Unless otherwise specified, dimensions are in inches & tolerances are:  0.000 = +/- 0.031 FRACTIONAL = +/- 1/32 ANGLES = +/- 1/2 DEG		
	<b>TITLE:</b> WIND LOAD CONFIGURATION INSULATED ROLLING STEEL DOOR CP0001/CP0651 SLAT IMPACT RATED	<b>DRAWN BY:</b> TJE	<b>SIZE:</b> B	<b>SCALE:</b> AS NOTED
<b>DWG NO:</b> ES-16-64-CIW				

L'TR	REVISION	DATE	BY	E.C.O.
*	ORIGINAL ISSUE	10/13/14	TJE	1615
A	REMOVED SPECIFIC ENDLOCK, ADD INNER ANGLE NOTE	12/13/17	CJR	1663
B	REVISED BOTTOM BAR DETAIL; HOOD SUPPORT UPDATE	02/19/20	MAN	2027



FOR "WALL ANGLE" TO WALL CONNECTION, REF. TABLE BASED ON THE SPECIFIC INSTALLATION. USE AT LEAST ONE FASTENER OR WELD AT THE INDICATED LOCATIONS.



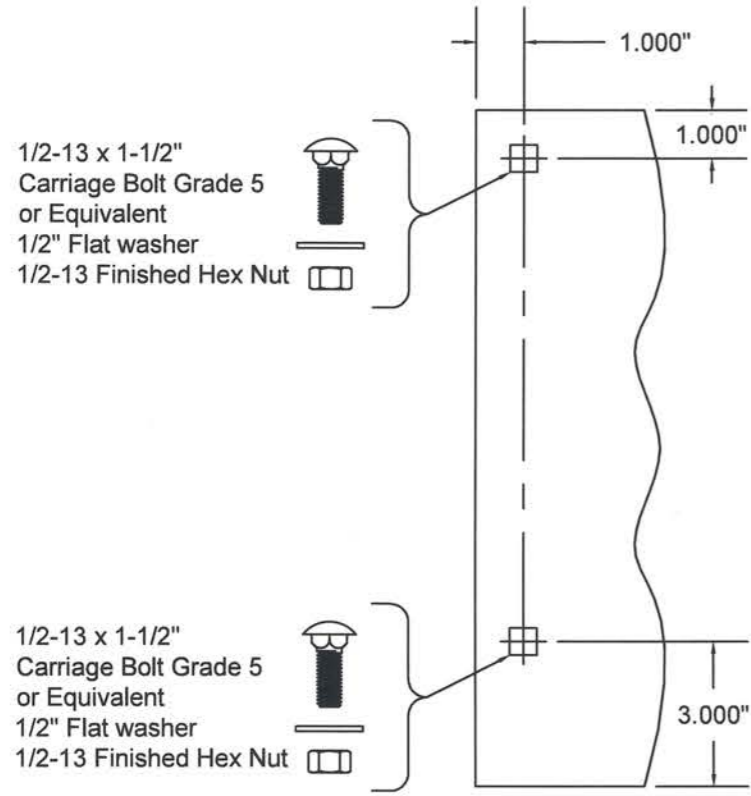
**NOTE:**  
 1. WHEN MOTOR IS PROVIDED, HEIGHT OR WIDTH DIMENSION MAY INCREASE UP TO 2-1/2" BASED ON MOTOR LOCATION. WHEN AN 8" DIAMETER OR LARGER SHAFT ASSEMBLY IS PROVIDED, HEIGHT DIMENSION INCREASES BY 2".

**NOTE:**  
 1. STANDARD BRACKET MOUNTING DETAIL IS DEPICTED, OTHER MOUNTINGS ARE AVAILABLE



	24 ELMWOOD AVE 1901 S. LITCHFIELD RD MOUNTAINTOP, PA GOODYEAR, AZ	Unless otherwise specified, dimensions are in inches & tolerances are:  0.000 = +/- 0.031 FRACTIONAL = +/- 1/32 ANGLES = +/- 1/2 DEG
	P: 800.233.8366 F: 800.526.0841 E: ADS@CORNELLIRON.COM	
<b>TITLE:</b> WIND LOAD CONFIGURATION INSULATED ROLLING STEEL DOOR CP0001/CP0651 SLAT IMPACT RATED		<b>DRAWN BY:</b> TJE <b>SIZE:</b> B <b>SCALE:</b> AS NOTED <b>SHEET:</b> 5/27
		<b>DWG NO:</b> ES-16-64-CIW

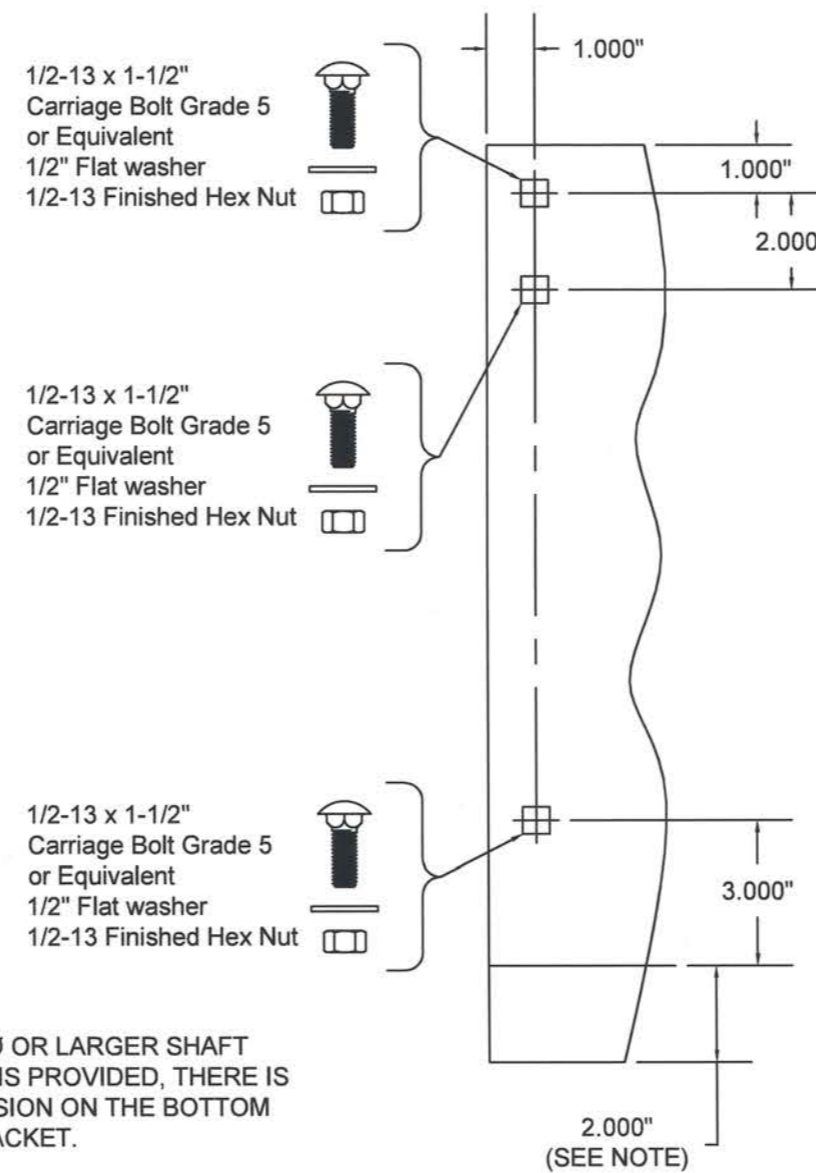
L'TR	REVISION	DATE	BY	E.C.O.
*	ORIGINAL ISSUE	10/13/14	TJE	1615
A	REMOVED SPECIFIC ENDLOCK, ADD INNER ANGLE NOTE	12/13/17	CJR	1663
B	REVISED BOTTOM BAR DETAIL; HOOD SUPPORT UPDATE	02/19/20	MAN	2027



1/2-13 x 1-1/2"  
Carriage Bolt Grade 5  
or Equivalent  
1/2" Flat washer  
1/2-13 Finished Hex Nut

1/2-13 x 1-1/2"  
Carriage Bolt Grade 5  
or Equivalent  
1/2" Flat washer  
1/2-13 Finished Hex Nut

**THRU 6"Ø SHAFT ASSEMBLY**  
**14" THRU 16" COIL DIMENSION**  
**MIN. THICKNESS 0.172" ASTM A36**  
**OR ASTM A480 STAINLESS STEEL,**  
**TYPES 304 OR 316, MINIMUM 36 KSI YIELD STRENGTH**  
 SCALE: 1-1/2" = 1'-0"



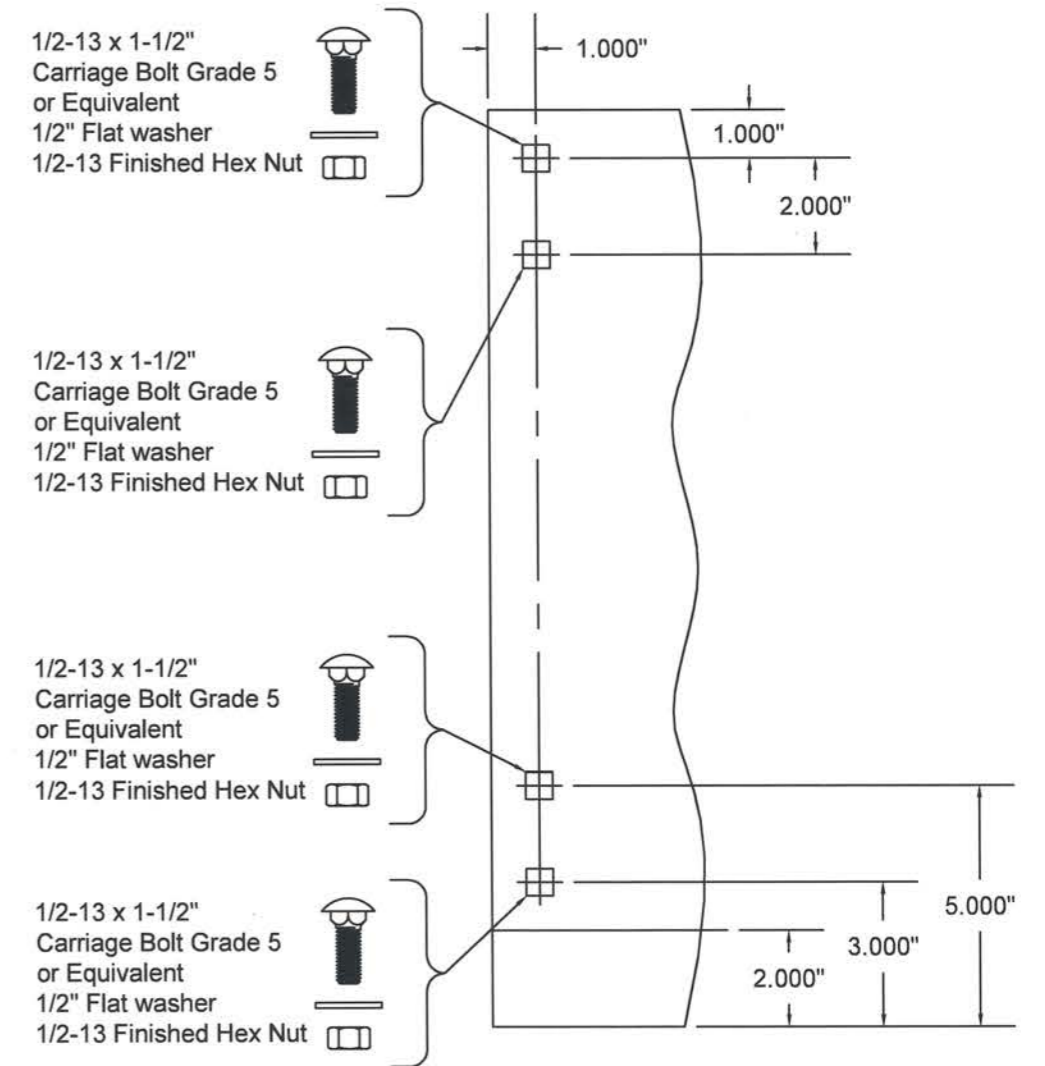
1/2-13 x 1-1/2"  
Carriage Bolt Grade 5  
or Equivalent  
1/2" Flat washer  
1/2-13 Finished Hex Nut

1/2-13 x 1-1/2"  
Carriage Bolt Grade 5  
or Equivalent  
1/2" Flat washer  
1/2-13 Finished Hex Nut

1/2-13 x 1-1/2"  
Carriage Bolt Grade 5  
or Equivalent  
1/2" Flat washer  
1/2-13 Finished Hex Nut

**NOTE:**  
 WHEN A 8"Ø OR LARGER SHAFT  
 ASSEMBLY IS PROVIDED, THERE IS  
 A 2" EXTENSION ON THE BOTTOM  
 OF THE BRACKET.

**THRU 10"Ø SHAFT ASSEMBLY**  
**17" AND LARGER COIL DIMENSION**  
**MIN. THICKNESS 0.240" ASTM A36**  
**OR ASTM A480 STAINLESS STEEL,**  
**TYPES 304 OR 316, MINIMUM 36 KSI YIELD STRENGTH**  
 SCALE: 1-1/2" = 1'-0"



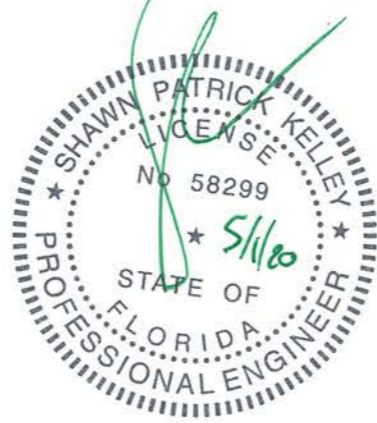
1/2-13 x 1-1/2"  
Carriage Bolt Grade 5  
or Equivalent  
1/2" Flat washer  
1/2-13 Finished Hex Nut

1/2-13 x 1-1/2"  
Carriage Bolt Grade 5  
or Equivalent  
1/2" Flat washer  
1/2-13 Finished Hex Nut

1/2-13 x 1-1/2"  
Carriage Bolt Grade 5  
or Equivalent  
1/2" Flat washer  
1/2-13 Finished Hex Nut

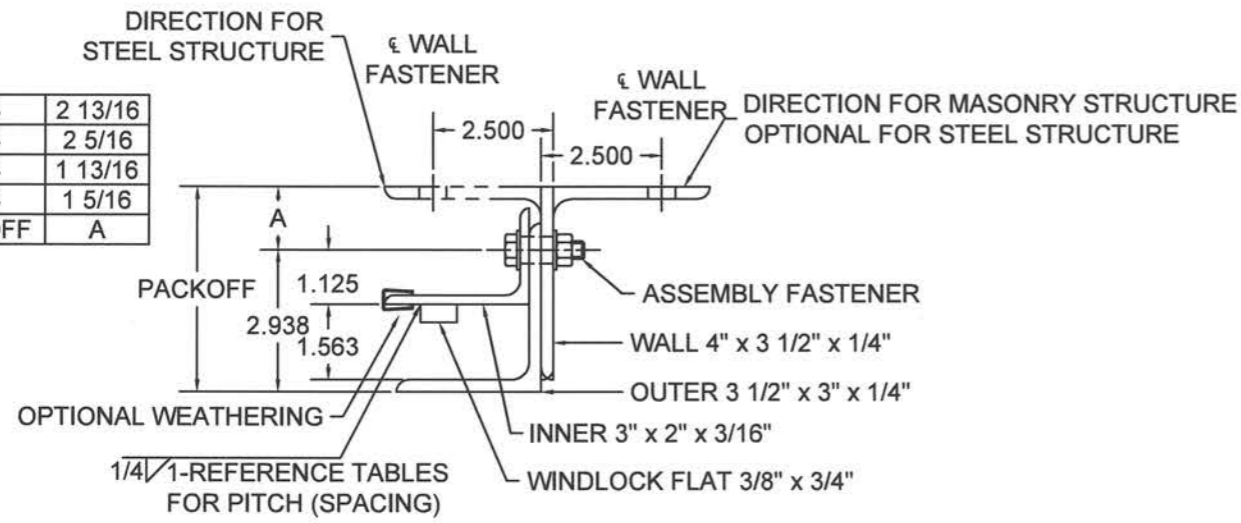
1/2-13 x 1-1/2"  
Carriage Bolt Grade 5  
or Equivalent  
1/2" Flat washer  
1/2-13 Finished Hex Nut

**12"Ø SHAFT ASSEMBLY**  
**17" AND LARGER COIL DIMENSION**  
**MIN. THICKNESS 0.240" ASTM A36**  
**OR ASTM A480 STAINLESS STEEL,**  
**TYPES 304 OR 316, MINIMUM 36 KSI YIELD STRENGTH**  
 SCALE: 1-1/2" = 1'-0"



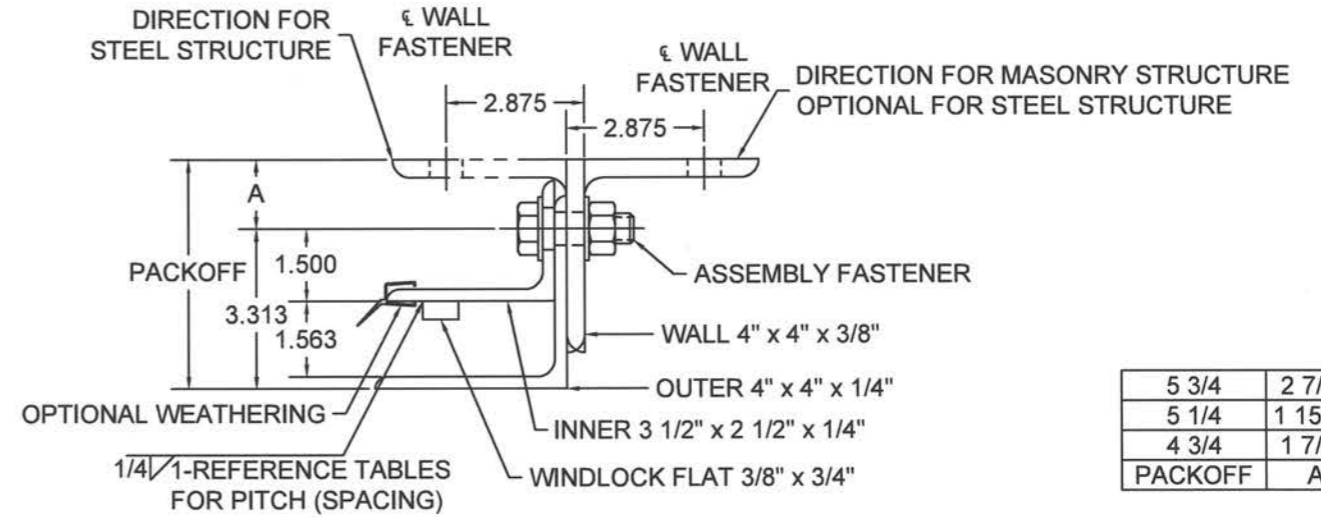
	24 ELMWOOD AVE 1901 S. LITCHFIELD RD MOUNTAINTOP, PA GOODYEAR, AZ	Unless otherwise specified, dimensions are in inches & tolerances are:  0.000 = +/- 0.031 FRACTIONAL = +/- 1/32 ANGLES = +/- 1/2 DEG
	P: 800.233.8366 F: 800.526.0841 E: ADS@CORNELLIRON.COM	TITLE: <b>WIND LOAD CONFIGURATION</b> <b>INSULATED ROLLING STEEL DOOR</b> <b>CP0001/CP0651 SLAT IMPACT RATED</b>

5 3/4	2 13/16
5 1/4	2 5/16
4 3/4	1 13/16
4 1/4	1 5/16
PACKOFF	A



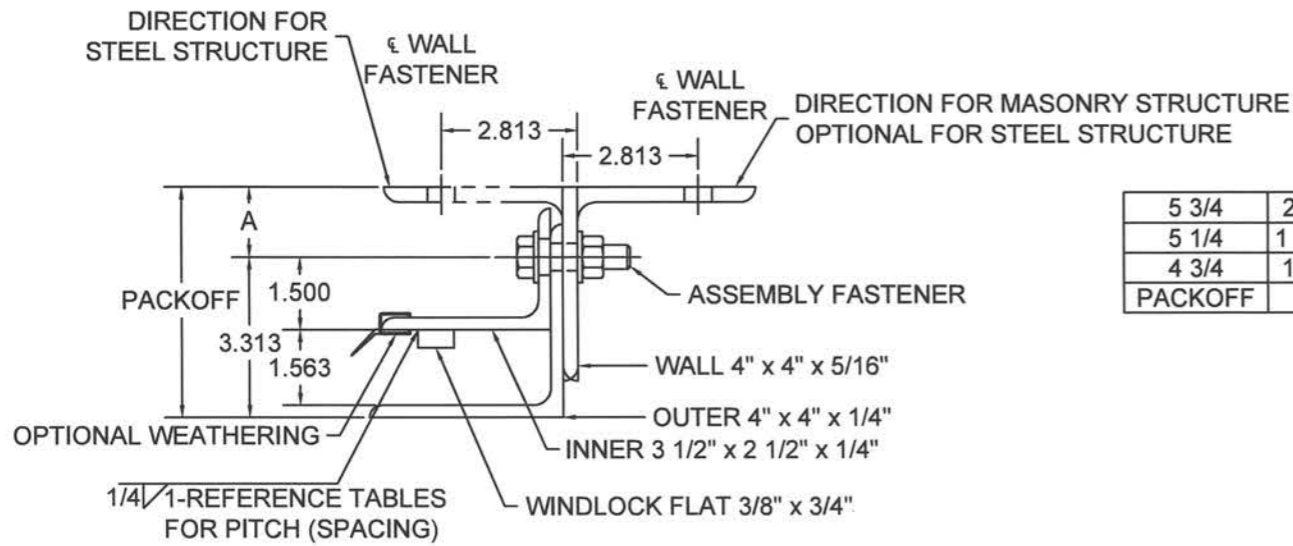
**GUIDE ASSEMBLY TYPE 344**  
SCALE: 3" = 1'-0"

L'TR	REVISION	DATE	BY	E.C.O.
*	ORIGINAL ISSUE	10/13/14	TJE	1615
A	REMOVED SPECIFIC ENDLOCK, ADD INNER ANGLE NOTE	12/13/17	CJR	1663
B	REVISED BOTTOM BAR DETAIL; HOOD SUPPORT UPDATE	02/19/20	MAN	2027



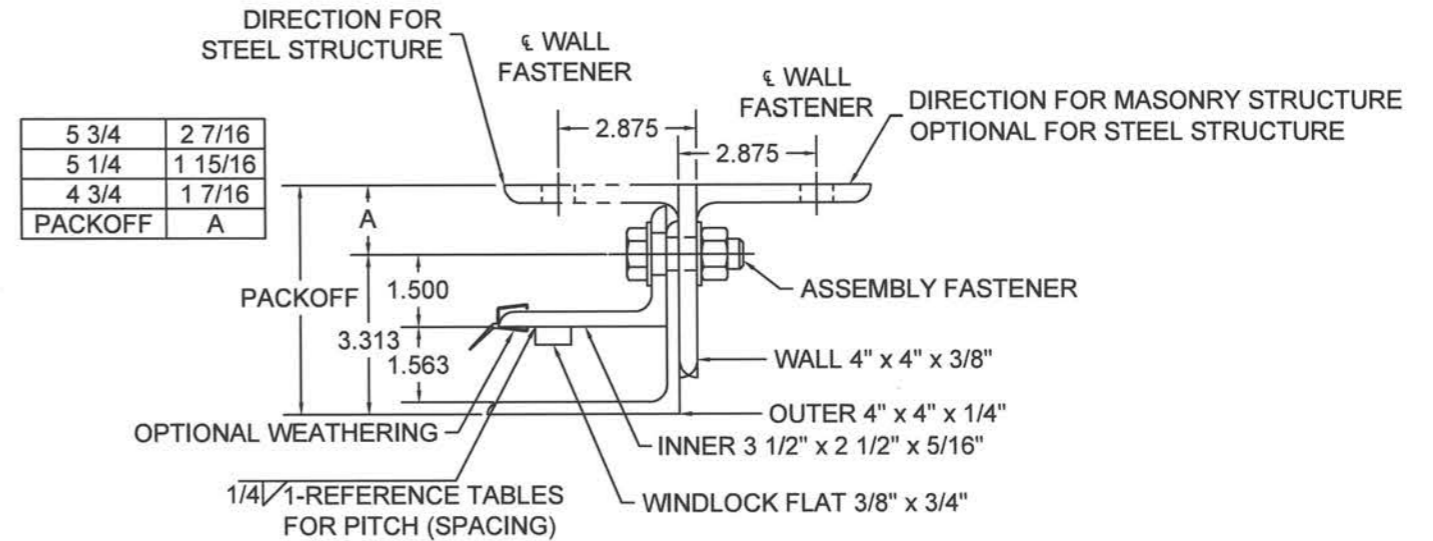
**GUIDE ASSEMBLY TYPE 446**  
SCALE: 3" = 1'-0"

5 3/4	2 7/16
5 1/4	1 15/16
4 3/4	1 7/16
PACKOFF	A



**GUIDE ASSEMBLY TYPE 445**  
SCALE: 3" = 1'-0"

5 3/4	2 7/16
5 1/4	1 15/16
4 3/4	1 7/16
PACKOFF	A



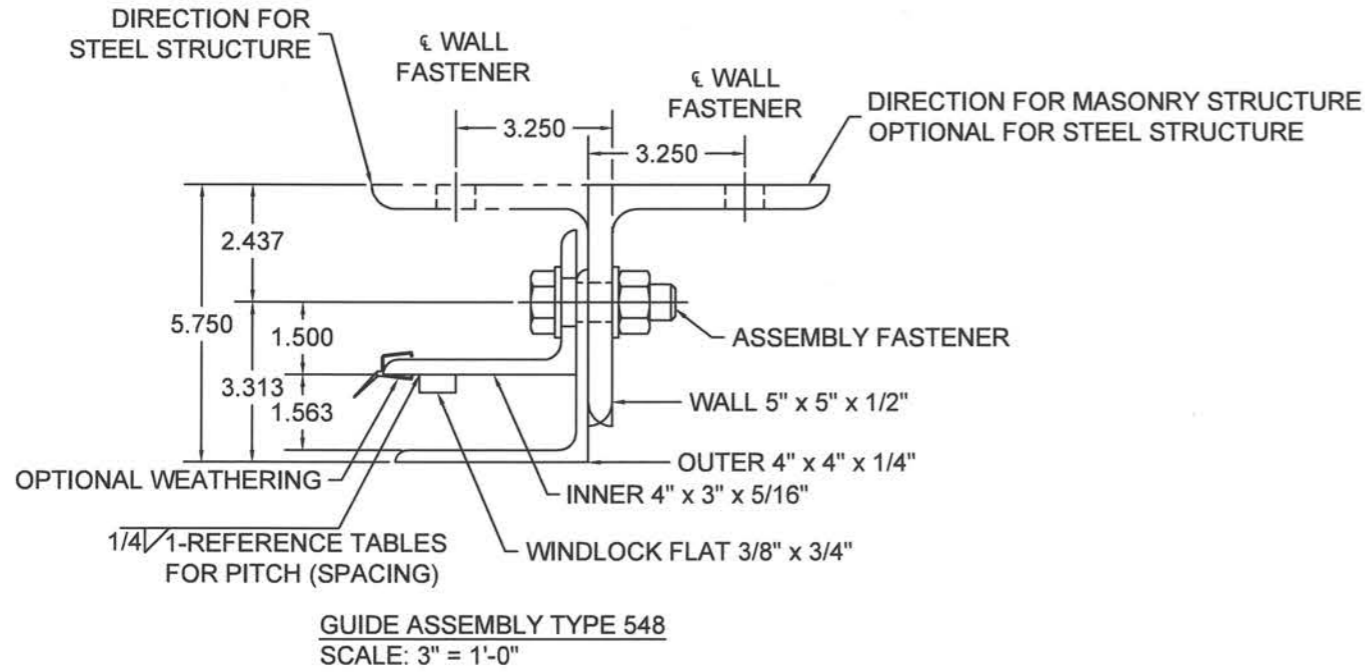
**GUIDE ASSEMBLY TYPE 546**  
SCALE: 3" = 1'-0"

5 3/4	2 7/16
5 1/4	1 15/16
4 3/4	1 7/16
PACKOFF	A

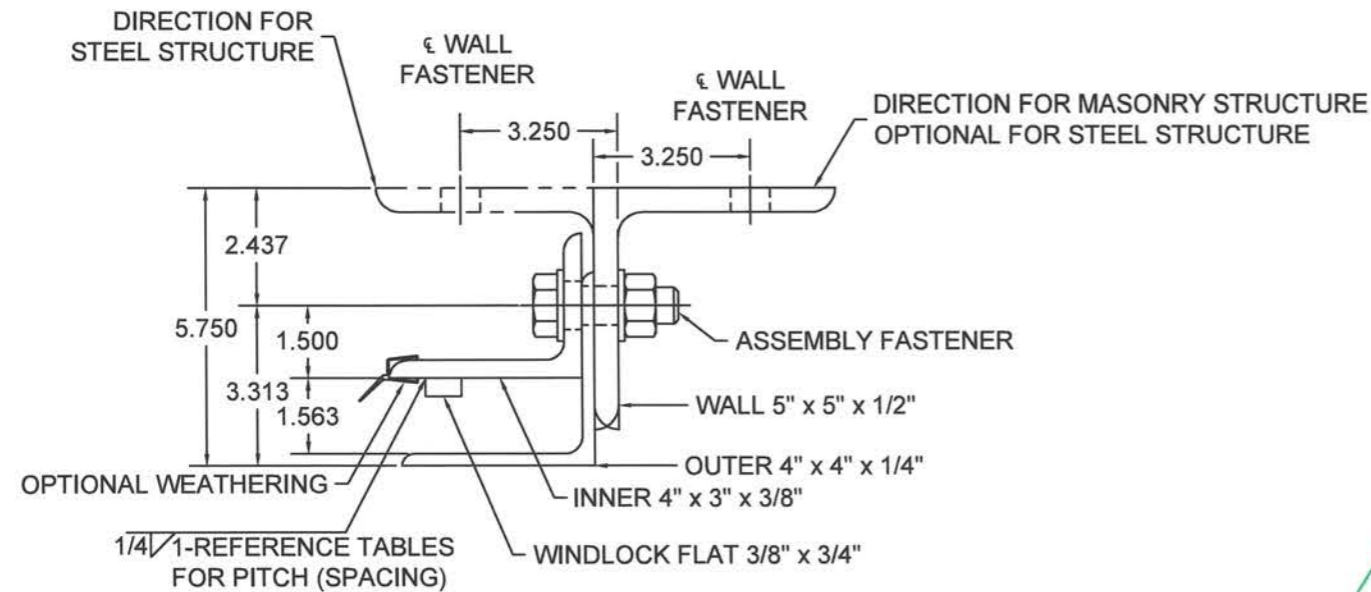


	24 ELMWOOD AVE 1901 S. LITCHFIELD RD MOUNTAINTOP, PA GOODYEAR, AZ	Unless otherwise specified, dimensions are in inches & tolerances are:  0.000 = +/- 0.031 FRACTIONAL = +/- 1/32 ANGLES = +/- 1/2 DEG
	P: 800.233.8366 F: 800.526.0841 E: ADS@CORNELLIRON.COM	TITLE: <b>WIND LOAD CONFIGURATION INSULATED ROLLING STEEL DOOR CP0001/CP0651 SLAT IMPACT RATED</b>
DRAWN BY: <b>TJE</b>		SIZE: <b>B</b>
DWG NO: <b>ES-16-64-CIW</b>		SCALE: <b>AS NOTED</b> SHEET: <b>7/27</b>

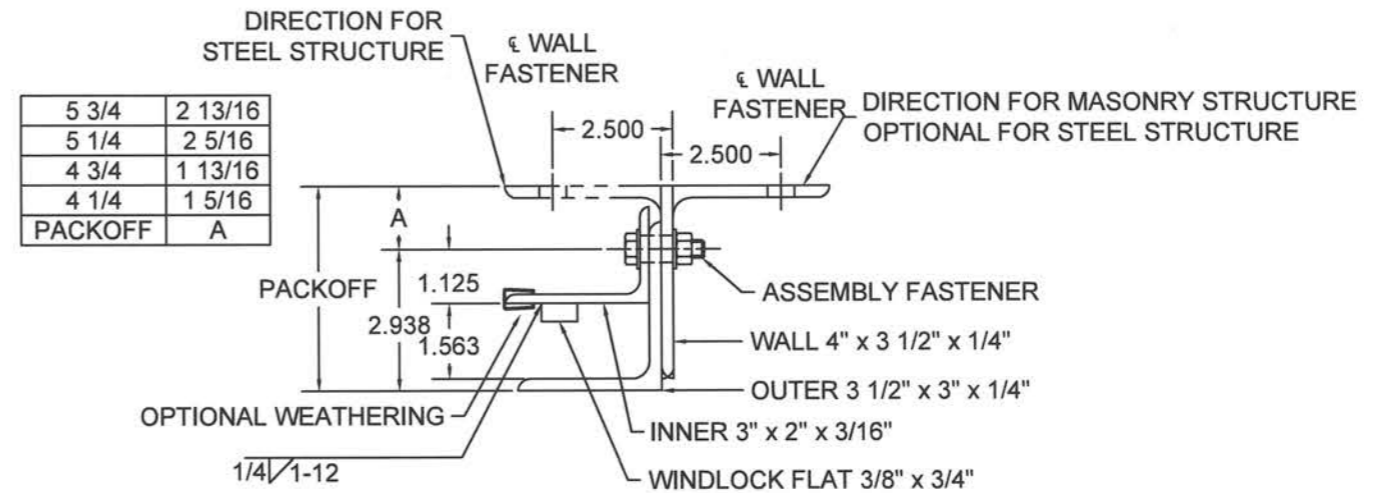
L'TR	REVISION	DATE	BY	E.C.O.
*	ORIGINAL ISSUE	10/13/14	TJE	1615
A	REMOVED SPECIFIC ENDLOCK, ADD INNER ANGLE NOTE	12/13/17	CJR	1663
B	REVISED BOTTOM BAR DETAIL; HOOD SUPPORT UPDATE	02/19/20	MAN	2027



GUIDE ASSEMBLY TYPE 548  
SCALE: 3" = 1'-0"



GUIDE ASSEMBLY TYPE 648  
SCALE: 3" = 1'-0"



GUIDE ASSEMBLY TYPE DC1  
SCALE: 3" = 1'-0"

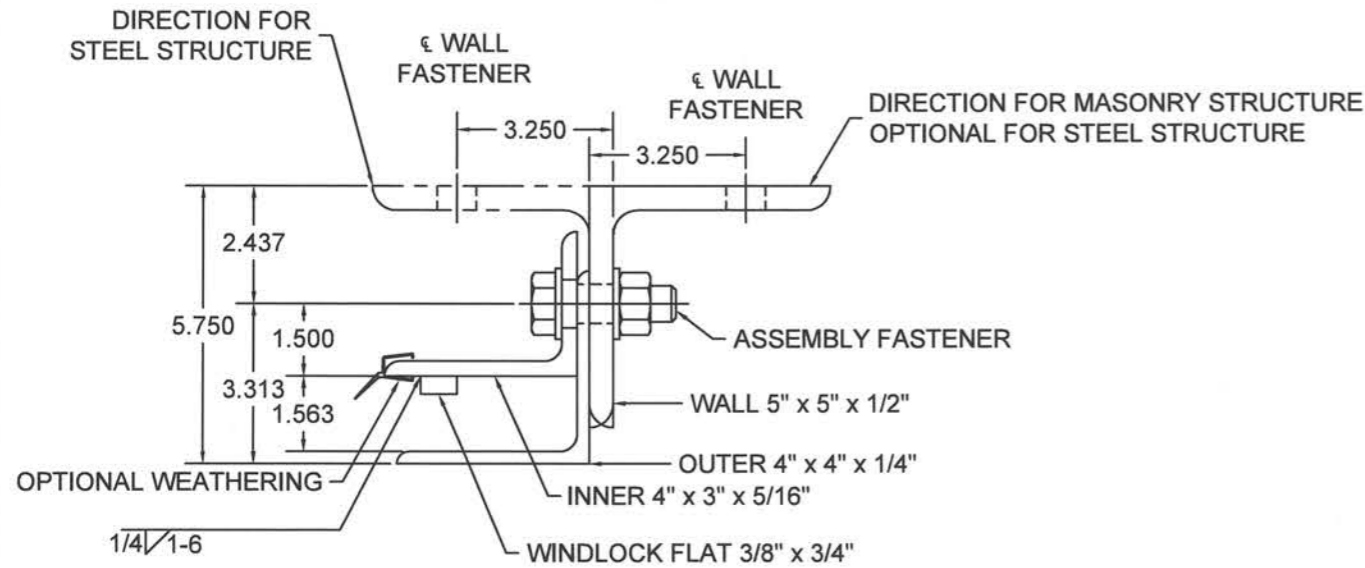
5 3/4	2 13/16
5 1/4	2 5/16
4 3/4	1 13/16
4 1/4	1 5/16
PACKOFF	A



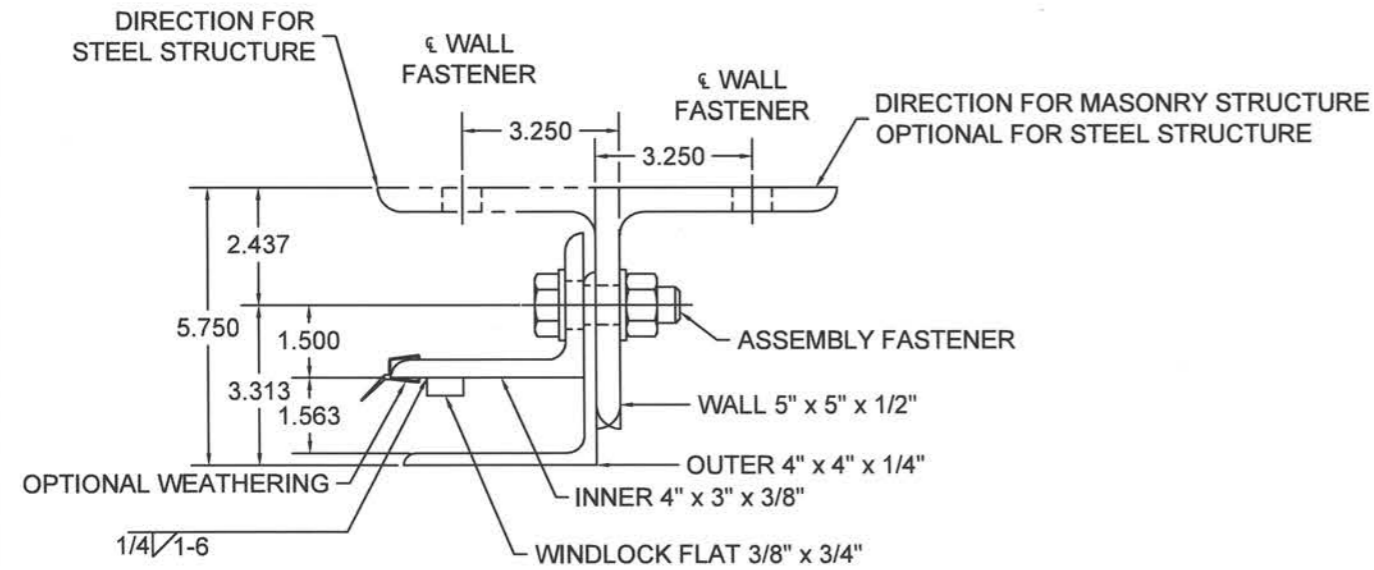
	24 ELMWOOD AVE 1901 S. LITCHFIELD RD MOUNTAINTOP, PA GOODYEAR, AZ		Unless otherwise specified, dimensions are in inches & tolerances are:		
	P: 800.233.8366 F: 800.526.0841 E: ADS@CORNELLIRON.COM		0.000 = +/- 0.031 FRACTIONAL = +/- 1/32 ANGLES = +/- 1/2 DEG		
TITLE: WIND LOAD CONFIGURATION INSULATED ROLLING STEEL DOOR CP0001/CP0651 SLAT IMPACT RATED		DRAWN BY: <b>TJE</b>	SIZE: <b>B</b>	SCALE: AS NOTED	SHEET: <b>8/27</b>
DWG NO: <b>ES-16-64-CIW</b>					



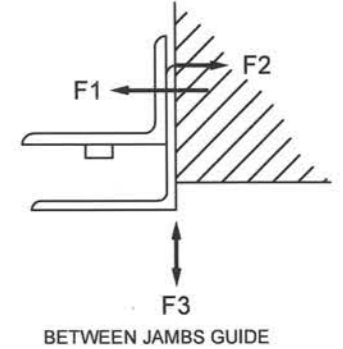
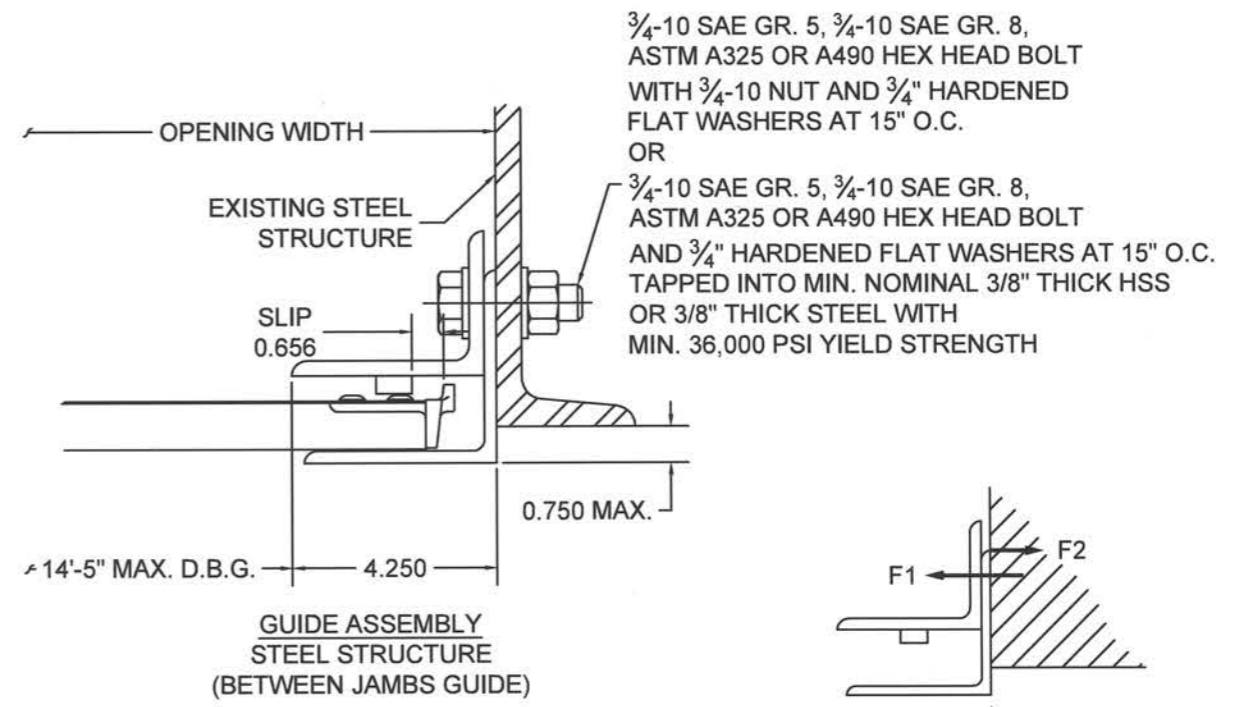
L'TR	REVISION	DATE	BY	E.C.O.
*	ORIGINAL ISSUE	10/13/14	TJE	1615
A	REMOVED SPECIFIC ENDLOCK, ADD INNER ANGLE NOTE	12/13/17	CJR	1663
B	REVISED BOTTOM BAR DETAIL; HOOD SUPPORT UPDATE	02/19/20	MAN	2027



GUIDE ASSEMBLY TYPE DC2  
SCALE: 3" = 1'-0"



GUIDE ASSEMBLY TYPE DC3  
SCALE: 3" = 1'-0"

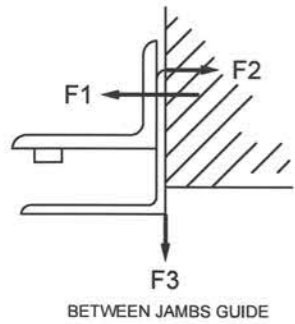


UNREDUCED WIND FORCES ON BUILDING STRUCTURE (LBS / FOOT OF HEIGHT)					
BETWEEN JAMBS GUIDE (14'-5" MAX. D.B.G.)					
POSITIVE			NEGATIVE		
F1	F2	F3	F1	F2	F3
4135	1500	882	13038	10402	882

**BUILDING DESIGNER NOTE:**  
STRUCTURE MUST BE DESIGNED TO SUPPORT F1, F2, AND F3 FORCES (LBS./FT. OF OPENING HEIGHT) AT EACH JAMB.



	24 ELMWOOD AVE 1901 S. LITCHFIELD RD MOUNTAINTOP, PA GOODYEAR, AZ	Unless otherwise specified, dimensions are in inches & tolerances are:  0.000 = +/- 0.031 FRACTIONAL = +/- 1/32 ANGLES = +/- 1/2 DEG
	P: 800.233.8366 F: 800.526.0841 E: ADS@CORNELLIRON.COM	TITLE: <b>WIND LOAD CONFIGURATION</b> <b>INSULATED ROLLING STEEL DOOR</b> <b>CP0001/CP0651 SLAT IMPACT RATED</b>

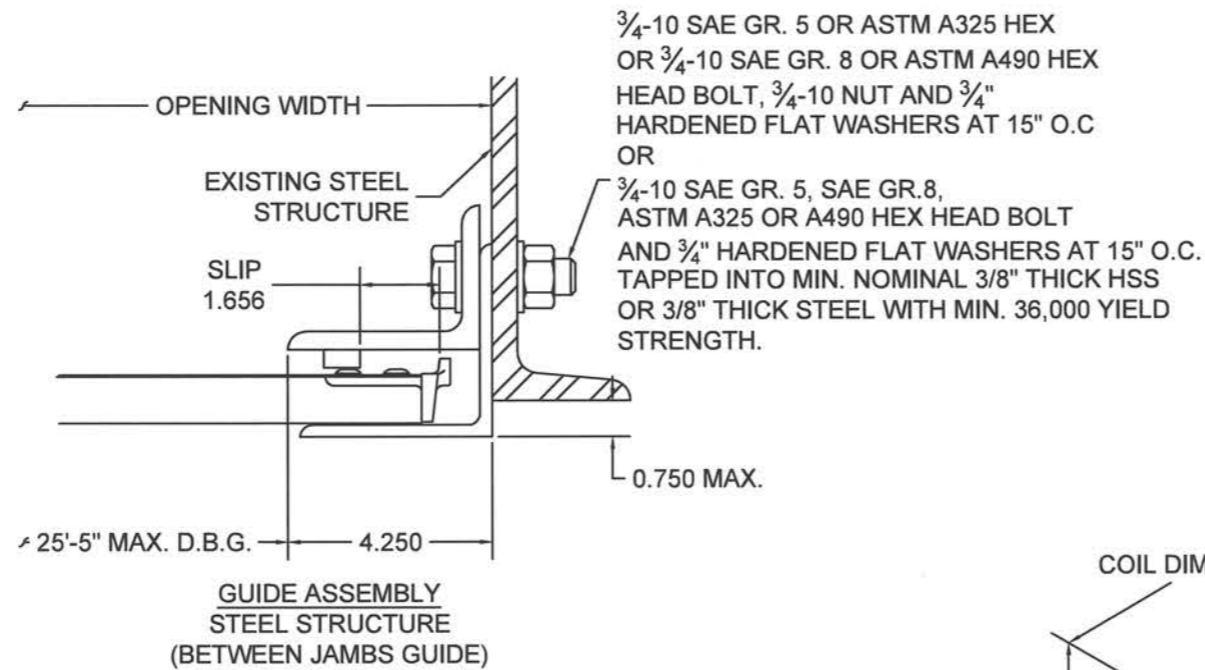


**UNREDUCED WIND FORCES ON BUILDING STRUCTURE (LBS / FOOT OF HEIGHT)**

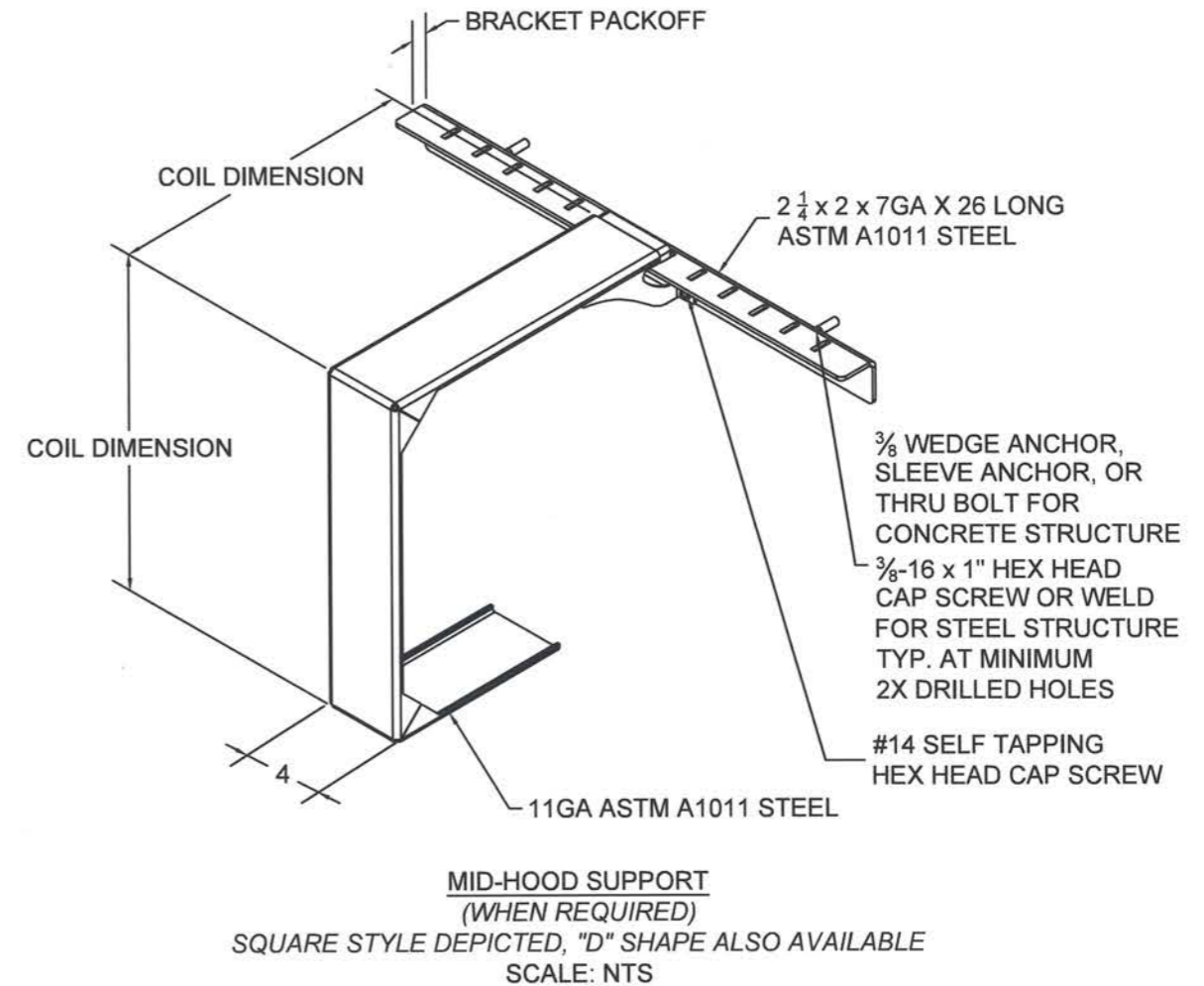
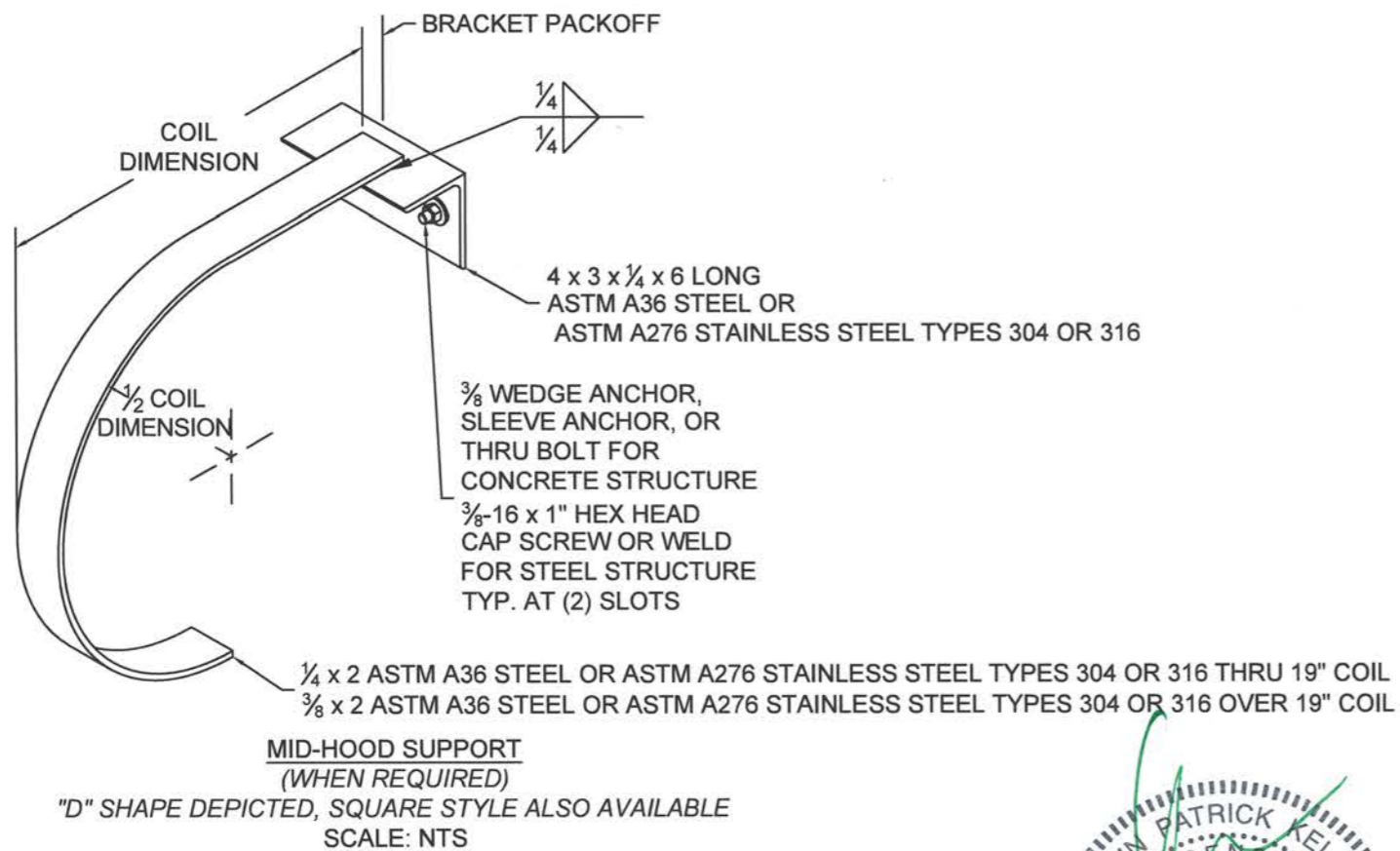
BETWEEN JAMBS GUIDE (25'-5" MAX. D.B.G.)

POSITIVE			NEGATIVE		
F1	F2	F3	F1	F2	F3
4918	2131	835	14630	11843	835

**BUILDING DESIGNER NOTE:**  
STRUCTURE MUST BE DESIGNED TO SUPPORT F1, F2, AND F3 FORCES (LBS./FT. OF OPENING HEIGHT) AT EACH JAMB.



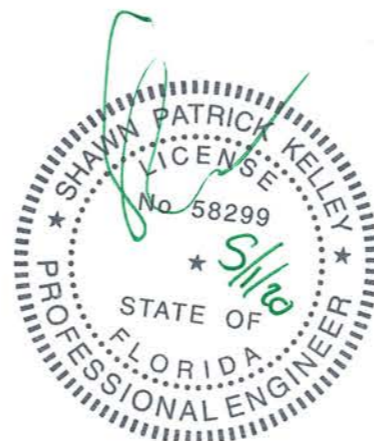
L/TR	REVISION	DATE	BY	E.C.O.
*	ORIGINAL ISSUE	10/13/14	TJE	1615
A	REMOVED SPECIFIC ENDLOCK, ADD INNER ANGLE NOTE	12/13/17	CJR	1663
B	REVISED BOTTOM BAR DETAIL; HOOD SUPPORT UPDATE	02/19/20	MAN	2027



<p><b>CORNELL</b> Innovative door solutions™</p>	<p>24 ELMWOOD AVE 1901 S. LITCHFIELD RD MOUNTAINTOP, PA GOODYEAR, AZ</p> <p>P: 800.233.8366 F: 800.526.0841 E: ADS@CORNELLIRON.COM</p>	<p>Unless otherwise specified, dimensions are in inches &amp; tolerances are:</p> <p>0.000 = +/- 0.031 FRACTIONAL = +/- 1/32 ANGLES = +/- 1/2 DEG</p>
	<p>TITLE: WIND LOAD CONFIGURATION INSULATED ROLLING STEEL DOOR CP0001/CP0651 SLAT IMPACT RATED</p>	<p>DRAWN BY: TJE SIZE: B SCALE: AS NOTED SHEET: 10/27</p>

L'TR	REVISION	DATE	BY	E.C.O.
*	ORIGINAL ISSUE	10/13/14	TJE	1615
A	REMOVED SPECIFIC ENDLOCK, ADD INNER ANGLE NOTE	12/13/17	CJR	1663
B	REVISED BOTTOM BAR DETAIL; HOOD SUPPORT UPDATE	02/19/20	MAN	2027

CP0001/CP0651 - 0.0405/0.0220 Minimum Thickness Galvanized or Stainless Steel - 20 PSF																							
Concrete Minimum 3,000 PSI Compressive Strength (Anchors are the same diameter as assembly fasteners)																							
DBG Up To	Windlock Flat Location	Slip	Windlock	Guide Assembly	Windlock Weld Pitch	Assembly Fastener Diameter	Assembly Fastener Spacing	Hilti Kwik Bolt 3				Simpson Wedge All				Red Head Tru-Bolt				Powers Wedge-Bolt			
								Max O.C.	Embed	Min. Wall Thick.	Edge Dist	Max O.C.	Embed	Min. Wall Thick.	Edge Dist	Max O.C.	Embed	Min. Wall Thick.	Edge Dist	Max O.C.	Embed	Min. Wall Thick.	Edge Dist
5'-5"	1 1/2	0.656	CP0630 & CP0647	344	12	3/8	18	36	2 3/8	4	5 3/4	36	2 5/8	3 15/16	5 3/4	36	3	4 1/2	5 3/4	30	2	3	5 3/4
6'-5"	1 1/2	0.656	CP0630 & CP0647	344	12	3/8	18	36	2 3/8	4	5 3/4	32	2 5/8	3 15/16	5 3/4	33	3	4 1/2	5 3/4	25	2	3	5 3/4
7'-5"	1 1/2	0.656	CP0630 & CP0647	344	12	3/8	18	36	2 3/8	4	5 3/4	28	2 5/8	3 15/16	5 3/4	28	3	4 1/2	5 3/4	22	2	3	5 3/4
8'-5"	1 1/2	0.656	CP0630 & CP0647	344	12	3/8	18	36	2 3/8	4	5 3/4	24	2 5/8	3 15/16	5 3/4	25	3	4 1/2	5 3/4	19	2	3	5 3/4
9'-5"	1 1/2	0.656	CP0630 & CP0647	344	12	3/8	18	36	2 3/8	4	5 3/4	22	2 5/8	3 15/16	5 3/4	22	3	4 1/2	5 3/4	17	2	3	5 3/4
10'-5"	1 1/2	0.656	CP0630 & CP0647	344	12	3/8	18	36	2 3/8	4	5 3/4	20	2 5/8	3 15/16	5 3/4	20	3	4 1/2	5 3/4	15	2	3	5 3/4
11'-5"	1 1/2	0.656	CP0630 & CP0647	344	12	3/8	18	36	2 3/8	4	5 3/4	18	2 5/8	3 15/16	5 3/4	18	3	4 1/2	5 3/4	14	2	3	5 3/4
12'-5"	1 1/2	0.656	CP0630 & CP0647	344	12	3/8	18	36	2 3/8	4	5 3/4	16	2 5/8	3 15/16	5 3/4	17	3	4 1/2	5 3/4	13	2	3	5 3/4
13'-5"	1 1/2	0.656	CP0630 & CP0647	344	12	3/8	18	36	2 3/8	4	5 3/4	15	2 5/8	3 15/16	5 3/4	16	3	4 1/2	5 3/4	12	2	3	5 3/4
14'-5"	1 1/2	0.656	CP0630 & CP0647	344	12	3/8	18	36	2 3/8	4	5 3/4	14	2 5/8	3 15/16	5 3/4	14	3	4 1/2	5 3/4	11	2	3	5 3/4
15'-5"	1 1/2	0.656	CP0630 & CP0647	344	12	3/8	18	36	2 3/8	4	5 3/4	13	2 5/8	3 15/16	5 3/4	13	3	4 1/2	5 3/4	10	2	3	5 3/4
16'-5"	1 1/2	0.656	CP0630 & CP0647	344	12	3/8	18	28	2 3/8	4	5 3/4	12	2 5/8	3 15/16	5 3/4	13	3	4 1/2	5 3/4	10	2	3	5 3/4
17'-5"	1 1/2	0.656	CP0630 & CP0647	344	12	3/8	18	36	2 3/8	4	5 3/4	17	2 5/8	3 15/16	5 3/4	18	3	4 1/2	5 3/4	12	2	3	5 3/4
18'-5"	1 1/2	0.656	CP0630 & CP0647	344	12	3/8	18	36	2 3/8	4	5 3/4	19	2 5/8	3 15/16	5 3/4	20	3	4 1/2	5 3/4	12	2	3	5 3/4
19'-5"	1 1/2	0.656	CP0630 & CP0647	344	12	3/8	18	28	2 3/8	4	5 3/4	13	2 5/8	3 15/16	5 3/4	13	3	4 1/2	5 3/4	8	2	3	5 3/4
20'-5"	1 1/2	0.656	CP0630 & CP0647	344	12	3/8	17	N/A				10	2 5/8	3 15/16	5 3/4	10	3	4 1/2	5 3/4	6	2	3	5 3/4
21'-5"	1 1/2	0.656	CP0630 & CP0647	344	12	3/8	14	N/A				8	2 5/8	3 15/16	5 3/4	8	3	4 1/2	5 3/4	5	2	3	5 3/4
22'-5"	1 1/2	0.656	CP0630 & CP0647	344	11	3/8	12	N/A				6	2 5/8	3 15/16	5 3/4	7	3	4 1/2	5 3/4	5	2 1/2	3 3/4	5 3/4
23'-5"	2	1.156	CP0630 & CP0647	445	12	1/2	18	36	3 5/8	6	6 13/16	19	4 1/2	6 3/4	6 13/16	15	4 1/8	6 3/16	6 13/16	8	2 1/2	3 3/4	6 13/16
24'-5"	2	1.156	CP0630 & CP0647	445	12	1/2	18	36	3 5/8	6	6 13/16	16	4 1/2	6 3/4	6 13/16	13	4 1/8	6 3/16	6 13/16	7	2 1/2	3 3/4	6 13/16
25'-5"	2	1.156	CP0630 & CP0647	445	11	1/2	18	36	3 5/8	6	6 13/16	14	4 1/2	6 3/4	6 13/16	11	4 1/8	6 3/16	6 13/16	6	2 1/2	3 3/4	6 13/16
26'-5"	2	1.156	CP0630 & CP0647	445	10	1/2	18	28	3 5/8	6	6 13/16	13	4 1/2	6 3/4	6 13/16	10	4 1/8	6 3/16	6 13/16	6	2 1/2	3 3/4	6 13/16
27'-5"	2	1.156	CP0630 & CP0647	445	10	1/2	18	36	3 5/8	8	6 13/16	12	4 1/2	6 3/4	6 13/16	9	4 1/8	6 3/16	6 13/16	8	3 1/2	5 1/4	6 13/16
28'-5"	2	1.156	CP0630 & CP0647	445	9	1/2	17	28	3 5/8	8	6 13/16	11	4 1/2	6 3/4	6 13/16	8	4 1/8	6 3/16	6 13/16	7	3 1/2	5 1/4	6 13/16
29'-5"	2	1.156	CP0630 & CP0647	445	9	1/2	15	N/A				10	4 1/2	6 3/4	6 13/16	8	4 1/8	6 3/16	6 13/16	6	3 1/2	5 1/4	6 13/16
30'-5"	2	1.156	CP0630 & CP0647	445	9	1/2	14	N/A				9	4 1/2	6 3/4	6 13/16	7	4 1/8	6 3/16	6 13/16	6	3 1/2	5 1/4	6 13/16
31'-5"	2	1.156	CP0630 & CP0647	445	8	1/2	14	N/A				8	4 1/2	6 3/4	6 13/16	7	4 1/8	6 3/16	6 13/16	6	3 1/2	5 1/4	6 13/16
32'-5"	2	1.156	CP0630 & CP0647	445	8	1/2	13	N/A				8	4 1/2	6 3/4	6 13/16	6	4 1/8	6 3/16	6 13/16	7	4	6	6 13/16
33'-5"	2	1.156	CP0630 & CP0647	446	8	5/8	18	N/A				10	4 1/2	6 3/4	6 7/8	N/A				9	5	7 1/2	6 7/8
34'-5"	2	1.156	CP0630 & CP0647	446	8	5/8	18	N/A				10	4 1/2	6 3/4	6 7/8	N/A				9	5	7 1/2	6 7/8
35'-5"	2	1.156	CP0630 & CP0647	446	7	5/8	18	N/A				9	4 1/2	6 3/4	6 7/8	N/A				8	5	7 1/2	6 7/8
36'-5"	2	1.156	CP0630 & CP0647	546	7	5/8	17	N/A				9	4 1/2	6 3/4	6 7/8	N/A				8	5	7 1/2	6 7/8
37'-5"	2	1.156	CP0630 & CP0647	546	7	5/8	16	N/A				8	4 1/2	6 3/4	6 7/8	N/A				7	5	7 1/2	6 7/8
38'-5"	2	1.156	CP0630 & CP0647	546	7	5/8	15	N/A				8	4 1/2	6 3/4	6 7/8	N/A				N/A			
39'-5"	2	1.156	CP0630 & CP0647	546	7	5/8	15	N/A				8	4 1/2	6 3/4	6 7/8	N/A				N/A			
40'-5"	2 1/2	1.656	CP0630 & CP0647	548	7	3/4	18	22	5 5/8	8	7 1/2	12	5	7 1/2	7 1/2	13	6 5/8	9 15/16	7 1/2	N/A			



	24 ELMWOOD AVE 1901 S. LITCHFIELD RD MOUNTAINTOP, PA GOODYEAR, AZ	Unless otherwise specified, dimensions are in inches & tolerances are:  0.000 = +/- 0.031 FRACTIONAL = +/- 1/32 ANGLES = +/- 1/2 DEG
	P: 800.233.8366 F: 800.526.0841 E: ADS@CORNELLIRON.COM	DRAWN BY: TJE SIZE: B SCALE: AS NOTED SHEET: 11/27
TITLE: WIND LOAD CONFIGURATION INSULATED ROLLING STEEL DOOR CP0001/CP0651 SLAT IMPACT RATED		DWG NO: ES-16-64-CIW



L'TR	REVISION	DATE	BY	E.C.O.
*	ORIGINAL ISSUE	10/13/14	TJE	1615
A	REMOVED SPECIFIC ENDLOCK, ADD INNER ANGLE NOTE	12/13/17	CJR	1663
B	REVISED BOTTOM BAR DETAIL; HOOD SUPPORT UPDATE	02/19/20	MAN	2027

CP0001/CP0651 - 0.0405/0.0220 Minimum Thickness Galvanized or Stainless Steel - 30 PSF																							
Concrete Minimum 3,000 PSI Compressive Strength (Anchors are the same diameter as assembly fasteners)																							
DBG Up To	Windlock Flat Location	Slip	Windlock	Guide Assembly	Windlock Weld Pitch	Assembly Fastener Diameter	Assembly Fastener Spacing	Hilti Kwik Bolt 3				Simpson Wedge All				Red Head Tru-Bolt				Powers Wedge-Bolt			
								Max O.C.	Embed	Min. Wall Thick.	Edge Dist	Max O.C.	Embed	Min. Wall Thick.	Edge Dist	Max O.C.	Embed	Min. Wall Thick.	Edge Dist	Max O.C.	Embed	Min. Wall Thick.	Edge Dist
5'-5"	1 1/2	0.656	CP0630 & CP0647	344	12	3/8	18	36	2 3/8	4	5 3/4	25	2 5/8	3 15/16	5 3/4	22	3	4 1/2	5 3/4	17	2	3	5 3/4
6'-5"	1 1/2	0.656	CP0630 & CP0647	344	12	3/8	18	36	2 3/8	4	5 3/4	21	2 5/8	3 15/16	5 3/4	22	3	4 1/2	5 3/4	17	2	3	5 3/4
7'-5"	1 1/2	0.656	CP0630 & CP0647	344	12	3/8	18	36	2 3/8	4	5 3/4	18	2 5/8	3 15/16	5 3/4	19	3	4 1/2	5 3/4	14	2	3	5 3/4
8'-5"	1 1/2	0.656	CP0630 & CP0647	344	12	3/8	18	36	2 3/8	4	5 3/4	16	2 5/8	3 15/16	5 3/4	17	3	4 1/2	5 3/4	13	2	3	5 3/4
9'-5"	1 1/2	0.656	CP0630 & CP0647	344	12	3/8	18	36	2 3/8	4	5 3/4	14	2 5/8	3 15/16	5 3/4	15	3	4 1/2	5 3/4	11	2	3	5 3/4
10'-5"	1 1/2	0.656	CP0630 & CP0647	344	12	3/8	18	36	2 3/8	4	5 3/4	13	2 5/8	3 15/16	5 3/4	13	3	4 1/2	5 3/4	10	2	3	5 3/4
11'-5"	1 1/2	0.656	CP0630 & CP0647	344	12	3/8	18	22	2 3/8	4	5 3/4	12	2 5/8	3 15/16	5 3/4	12	3	4 1/2	5 3/4	9	2	3	5 3/4
12'-5"	1 1/2	0.656	CP0630 & CP0647	344	12	3/8	18	9	2 3/8	4	5 3/4	11	2 5/8	3 15/16	5 3/4	11	3	4 1/2	5 3/4	8	2	3	5 3/4
13'-5"	1 1/2	0.656	CP0630 & CP0647	344	12	3/8	18	11	2 3/8	5	5 3/4	10	2 5/8	3 15/16	5 3/4	10	3	4 1/2	5 3/4	8	2	3	5 3/4
14'-5"	1 1/2	0.656	CP0630 & CP0647	344	12	3/8	18	N/A				9	2 5/8	3 15/16	5 3/4	9	3	4 1/2	5 3/4	7	2	3	5 3/4
15'-5"	1 1/2	0.656	CP0630 & CP0647	344	12	3/8	18	22	2 3/8	4	5 3/4	12	2 5/8	3 15/16	5 3/4	12	3	4 1/2	5 3/4	8	2	3	5 3/4
16'-5"	1 1/2	0.656	CP0630 & CP0647	344	12	3/8	18	36	2 3/8	4	5 3/4	15	2 5/8	3 15/16	5 3/4	15	3	4 1/2	5 3/4	9	2	3	5 3/4
17'-5"	1 1/2	0.656	CP0630 & CP0647	344	12	3/8	16	N/A				9	2 5/8	3 15/16	5 3/4	10	3	4 1/2	5 3/4	6	2	3	5 3/4
18'-5"	1 1/2	0.656	CP0630 & CP0647	344	12	3/8	12	N/A				7	2 5/8	3 15/16	5 3/4	7	3	4 1/2	5 3/4	4	2	3	5 3/4
19'-5"	2	1.156	CP0630 & CP0647	445	12	1/2	18	36	3 5/8	6	6 13/16	20	4 1/2	6 3/4	6 13/16	16	4 1/8	6 3/16	6 13/16	9	2 1/2	3 3/4	6 13/16
20'-5"	2	1.156	CP0630 & CP0647	445	12	1/2	18	36	3 5/8	6	6 13/16	16	4 1/2	6 3/4	6 13/16	13	4 1/8	6 3/16	6 13/16	7	2 1/2	3 3/4	6 13/16
21'-5"	2	1.156	CP0630 & CP0647	445	11	1/2	18	36	3 5/8	6	6 13/16	13	4 1/2	6 3/4	6 13/16	11	4 1/8	6 3/16	6 13/16	6	2 1/2	3 3/4	6 13/16
22'-5"	2	1.156	CP0630 & CP0647	445	10	1/2	17	36	3 5/8	8	6 13/16	12	4 1/2	6 3/4	6 13/16	9	4 1/8	6 3/16	6 13/16	8	3 1/2	5 1/4	6 13/16
23'-5"	2	1.156	CP0630 & CP0647	445	9	1/2	15	19	3 5/8	8	6 13/16	10	4 1/2	6 3/4	6 13/16	8	4 1/8	6 3/16	6 13/16	7	3 1/2	5 1/4	6 13/16
24'-5"	2	1.156	CP0630 & CP0647	445	9	1/2	14	N/A				9	4 1/2	6 3/4	6 13/16	7	4 1/8	6 3/16	6 13/16	6	3 1/2	5 1/4	6 13/16
25'-5"	2	1.156	CP0630 & CP0647	445	8	1/2	13	N/A				8	4 1/2	6 3/4	6 13/16	6	4 1/8	6 3/16	6 13/16	7	4	6	6 13/16
26'-5"	2	1.156	CP0630 & CP0647	446	8	5/8	18	N/A				10	4 1/2	6 3/4	6 7/8	N/A				9	5	7 1/2	6 7/8
27'-5"	2	1.156	CP0630 & CP0647	446	8	5/8	18	N/A				9	4 1/2	6 3/4	6 7/8	N/A				8	5	7 1/2	6 7/8
28'-5"	2	1.156	CP0630 & CP0647	546	7	5/8	16	N/A				9	4 1/2	6 3/4	6 7/8	N/A				8	5	7 1/2	6 7/8
29'-5"	2	1.156	CP0630 & CP0647	546	7	5/8	15	N/A				8	4 1/2	6 3/4	6 7/8	N/A				7	5	7 1/2	6 7/8
30'-5"	2	1.156	CP0630 & CP0647	546	7	5/8	15	N/A				8	4 1/2	6 3/4	6 7/8	N/A				N/A			
31'-5"	2 1/2	1.656	CP0630 & CP0647	548	7	3/4	18	28	5 5/8	8	7 1/2	12	5	7 1/2	7 1/2	13	6 5/8	9 15/16	7 1/2	N/A			
32'-5"	2 1/2	1.656	CP0630 & CP0647	548	7	3/4	18	N/A				11	5	7 1/2	7 1/2	12	6 5/8	9 15/16	7 1/2	N/A			
33'-5"	2 1/2	1.656	CP0630 & CP0647	548	7	3/4	18	N/A				10	5	7 1/2	7 1/2	11	6 5/8	9 15/16	7 1/2	N/A			
34'-5"	2 1/2	1.656	CP0630 & CP0647	548	7	3/4	18	N/A				10	5	7 1/2	7 1/2	11	6 5/8	9 15/16	7 1/2	N/A			
35'-5"	2 1/2	1.656	CP0630 & CP0647	548	6	3/4	18	N/A				9	5	7 1/2	7 1/2	10	6 5/8	9 15/16	7 1/2	N/A			
36'-5"	2 1/2	1.656	CP0630 & CP0647	548	6	3/4	18	N/A				9	5	7 1/2	7 1/2	10	6 5/8	9 15/16	7 1/2	N/A			
37'-5"	2 1/2	1.656	CP0630 & CP0647	548	6	3/4	17	N/A				8	5	7 1/2	7 1/2	9	6 5/8	9 15/16	7 1/2	N/A			
38'-5"	2 1/2	1.656	CP0630 & CP0647	548	6	3/4	17	N/A				8	5	7 1/2	7 1/2	8	6 5/8	9 15/16	7 1/2	N/A			
39'-5"	2 1/2	1.656	CP0630 & CP0647	648	6	3/4	16	N/A				8	5	7 1/2	7 1/2	6	6 5/8	9 15/16	7 1/2	N/A			
40'-5"	2 1/2	1.656	CP0630 & CP0647	648	6	3/4	15	N/A				7	5	7 1/2	7 1/2	5	6 5/8	9 15/16	7 1/2	N/A			

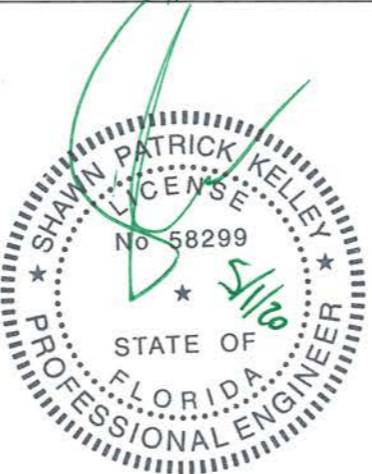


	24 ELMWOOD AVE 1901 S. LITCHFIELD RD MOUNTAINTOP, PA GOODYEAR, AZ	Unless otherwise specified, dimensions are in inches & tolerances are:  0.000 = +/- 0.031 FRACTIONAL = +/- 1/32 ANGLES = +/- 1/2 DEG
	P: 800.233.8366 F: 800.526.0841 E: ADS@CORNELLIRON.COM	TITLE: <b>WIND LOAD CONFIGURATION          INSULATED ROLLING STEEL DOOR          CP0001/CP0651 SLAT IMPACT RATED</b>

L'TR	REVISION	DATE	BY	E.C.O.
*	ORIGINAL ISSUE	10/13/14	TJE	1615
A	REMOVED SPECIFIC ENDLOCK, ADD INNER ANGLE NOTE	12/13/17	CJR	1663
B	REVISED BOTTOM BAR DETAIL; HOOD SUPPORT UPDATE	02/19/20	MAN	2027

**CP0001/CP0651 - 0.0405/0.0220 Minimum Thickness Galvanized or Stainless Steel - 30 PSF, Cont.**

DBG Up To	Filled CMU												Cracked Concrete Minimum 3,000 PSI Compressive Strength												Steel (Wall anchors are the same diameter as assembly fasteners)						Superimposed Loads					
	Hilti Kwik Bolt 3				Simpson Strong-Bolt 2				Through Bolt				Hilti Kwik Bolt TZ				Simpson Strong-Bolt 2				ITW Redhead Trubolt+						Welded		Through Bolt		Tapped		Vx (+)	Vy (+)	Vx (-)	Vy (-)
	Max O.C.	Dia.	Embed	Edge Dist	Max O.C.	Dia.	Embed	Edge Dist	Max. O.C.	Dia.	Edge Distance	Max O.C.	Dia.	Embed.	Min Wall Thick.	Edge Dist	Max O.C.	Dia.	Embed.	Min Wall Thick.	Edge Dist	Max O.C.	Dia.	Embed.	Min Wall Thick.	Edge Dist	Max O.C.	Slot Size	Max O.C.	Max O.C.	Min. Thickness					
5'-5"	14	3/8	2 1/2	5 3/4	10	3/8	2 5/8	5 3/4	25	3/8	5 3/4	36	3/8	2 5/16	4	5 3/4	28 1/2	3/8	1 7/8	3 1/4	5 3/4	36	3/8	2	5	5 3/4	36	7/16 x 5/8	36	36	3/16	0	83	0	82	
6'-5"	12	3/8	2 1/2	5 3/4	8	3/8	2 5/8	5 3/4	21	3/8	5 3/4	19	3/8	2 5/16	4	5 3/4	36	3/8	2 7/8	4 1/2	5 3/4	36	3/8	2	5	5 3/4	36	7/16 x 5/8	36	36	3/16	0	98	0	97	
7'-5"	10	3/8	2 1/2	5 3/4	9	1/2	3 1/2	5 3/4	18	3/8	5 3/4	10 5/16	3/8	2 5/16	5	5 3/4	36	3/8	2 7/8	4 1/2	5 3/4	14 1/4	3/8	2	5	5 3/4	36	7/16 x 5/8	36	36	3/16	0	113	0	112	
8'-5"	9	3/8	2 1/2	5 3/4	15	3/4	5 1/4	5 3/4	16	3/8	5 3/4	36	1/2	3 5/8	6	5 3/4	36	3/8	2 7/8	4 1/2	5 3/4	36	1/2	2 1/2	4	5 3/4	36	7/16 x 5/8	36	36	3/16	0	128	0	127	
9'-5"	8	3/8	2 1/2	5 3/4	13	3/4	5 1/4	5 3/4	14	3/8	5 3/4	36	1/2	3 5/8	6	5 3/4	36	3/8	2 7/8	4 1/2	5 3/4	28 1/2	1/2	2 1/2	4	5 3/4	36	7/16 x 5/8	36	36	3/16	0	143	0	142	
10'-5"	8	1/2	3 1/2	5 3/4	12	3/4	5 1/4	5 3/4	13	3/8	5 3/4	28 1/2	1/2	3 5/8	6	5 3/4	36	3/8	2 7/8	4 1/2	5 3/4	10 5/16	1/2	2 1/2	4	5 3/4	36	7/16 x 5/8	36	36	3/16	0	158	0	157	
11'-5"	8	1/2	3 1/2	5 3/4	11	3/4	5 1/4	5 3/4	12	3/8	5 3/4	16 1/4	1/2	3 5/8	6	5 3/4	36	3/8	2 7/8	4 1/2	5 3/4	22 3/4	1/2	3 3/4	8	5 3/4	36	7/16 x 5/8	36	36	3/16	0	173	0	172	
12'-5"	8	3/4	3 1/4	5 3/4	10	3/4	5 1/4	5 3/4	11	3/8	5 3/4	36	1/2	3 5/8	8	5 3/4	36	3/8	2 7/8	4 1/2	5 3/4	36	3/4	4 3/8	7	5 3/4	36	7/16 x 5/8	36	36	3/16	0	188	0	187	
13'-5"	12	3/4	4 3/8	5 3/4	9	3/4	5 1/4	5 3/4	10	3/8	5 3/4	28 1/2	1/2	3 5/8	8	5 3/4	22 3/4	1/2	3 7/8	6	5 3/4	36	3/4	4 3/8	7	5 3/4	36	7/16 x 5/8	36	36	3/16	0	203	0	202	
14'-5"	11	3/4	4 3/8	5 3/4	9	3/4	5 1/4	5 3/4	9	3/8	5 3/4	14 1/4	1/2	3 5/8	8	5 3/4	28 1/2	3/4	4 1/8	6 3/4	5 3/4	36	3/4	4 3/8	7	5 3/4	36	7/16 x 5/8	36	36	3/16	0	218	0	217	
15'-5"	9	3/4	3 1/4	5 3/4	11	3/4	5 1/4	5 3/4	12	3/8	5 3/4	36	1/2	3 5/8	8	5 3/4	36	3/8	2 7/8	4 1/2	5 3/4	19	1/2	3 3/4	8	5 3/4	36	7/16 x 5/8	36	36	3/16	89	233	65	232	
16'-5"	9	3/8	2 1/2	5 3/4	13	3/4	5 1/4	5 3/4	15	3/8	5 3/4	36	1/2	3 5/8	6	5 3/4	36	3/8	2 7/8	4 1/2	5 3/4	28 1/2	1/2	2 1/2	4	5 3/4	32	7/16 x 5/8	32	20	3/16	325	248	303	247	
17'-5"	11	3/4	4 3/8	5 3/4	9	3/4	5 1/4	5 3/4	9	3/8	5 3/4	22 3/4	1/2	3 5/8	8	5 3/4	36	3/4	4 1/8	6 3/4	5 3/4	36	3/4	4 3/8	7	5 3/4	19	7/16 x 5/8	19	12	3/16	543	263	522	262	
18'-5"	8	3/4	4 3/8	5 3/4	N/A				7	3/8	5 3/4	36	3/4	5 9/16	8	5 3/4	36	3/4	5 3/4	8 3/4	5 3/4	19	3/4	4 3/8	8	5 3/4	14	7/16 x 5/8	14	9	3/16	748	278	729	277	
19'-5"	8	3/4	3 1/4	6 13/16	9	3/4	5 1/4	6 13/16	20	1/2	6 13/16	28 1/2	1/2	3 5/8	8	6 13/16	22 3/4	1/2	3 7/8	6	6 13/16	36	3/4	4 3/8	7	6 13/16	36	9/16 x 3/4	36	25	1/4	540	292	529	292	
20'-5"	10	3/4	4 3/8	6 13/16	N/A				16	1/2	6 13/16	36	3/4	5 9/16	8	6 13/16	36	3/4	5 3/4	8 3/4	6 13/16	36	3/4	4 3/8	8	6 13/16	35	9/16 x 3/4	35	19	1/4	697	306	687	307	
21'-5"	8	3/4	4 3/8	6 13/16	N/A				13	1/2	6 13/16	36	3/4	5 9/16	8	6 13/16	36	3/4	5 3/4	8 3/4	6 13/16	N/A						29	9/16 x 3/4	29	16	1/4	848	321	838	322
22'-5"	N/A				N/A				12	1/2	6 13/16	N/A				N/A						N/A						25	9/16 x 3/4	25	13	1/4	994	336	984	337
23'-5"	N/A				N/A				10	1/2	6 13/16	N/A				N/A						N/A						21	9/16 x 3/4	21	12	1/4	1136	351	1127	352
24'-5"	N/A				N/A				9	1/2	6 13/16	N/A				N/A						N/A						19	9/16 x 3/4	19	10	1/4	1276	366	1266	367
25'-5"	N/A				N/A				8	1/2	6 13/16	N/A				N/A						N/A						17	9/16 x 3/4	17	9	1/4	1413	382	1403	382
26'-5"	N/A				N/A				10	5/8	6 7/8	N/A				N/A						N/A						24	11/16 x 7/8	24	13	5/16	1548	397	1539	397
27'-5"	N/A				N/A				9	5/8	6 7/8	N/A				N/A						N/A						22	11/16 x 7/8	22	12	5/16	1683	412	1674	413
28'-5"	N/A				N/A				9	5/8	6 7/8	N/A				N/A						N/A						20	11/16 x 7/8	20	11	5/16	1817	427	1807	428
29'-5"	N/A				N/A				8	5/8	6 7/8	N/A				N/A						N/A						19	11/16 x 7/8	19	10	5/16	1950	442	1941	443
30'-5"	N/A				N/A				8	5/8	6 7/8	N/A				N/A						N/A						18	11/16 x 7/8	18	10	5/16	2084	457	2074	458
31'-5"	N/A				N/A				12	3/4	7 1/2	N/A				N/A						N/A						36	13/16 x 1	36	24	3/8	1806	471	1797	472
32'-5"	N/A				N/A				11	3/4	7 1/2	N/A				N/A						N/A						36	13/16 x 1	36	23	3/8	1920	486	1911	487
33'-5"	N/A				N/A				10	3/4	7 1/2	N/A				N/A						N/A						36	13/16 x 1	36	22	3/8	2034	501	2025	502
34'-5"	N/A				N/A				10	3/4	7 1/2	N/A				N/A						N/A						36	13/16 x 1	36	20	3/8	2149	517	2140	517
35'-5"	N/A				N/A				9	3/4	7 1/2	N/A				N/A						N/A						36	13/16 x 1	36	19	3/8	2264	532	2255	532
36'-5"	N/A				N/A				9	3/4	7 1/2	N/A				N/A						N/A						34	13/16 x 1	34	18	3/8	2380	547	2371	547
37'-5"	N/A				N/A				8	3/4	7 1/2	N/A				N/A						N/A						33	13/16 x 1	33	18	3/8	2496	562	2487	563
38'-5"	N/A				N/A				8	3/4	7 1/2	N/A				N/A						N/A						31	13/16 x 1	31	17	3/8	2613	577	2604	578
39'-5"	N/A				N/A				8	3/4	7 1/2	N/A				N/A						N/A						30	13/16 x 1	30	16	3/8	2730	593	2721	593
40'-5"	N/A				N/A				7	3/4	7 1/2	N/A				N/A						N/A						29	13/16 x 1	29	15	3/8	2848	608	2839	608





**CORNELL**  
innovative door solutions.

24 ELMWOOD AVE 1901 S. LITCHFIELD RD  
MOUNTAINTOP, PA GOODYEAR, AZ

P: 800.233.8366  
F: 800.526.0841  
E: ADS@CORNELLIRON.COM

Unless otherwise specified,  
dimensions are in inches &  
tolerances are:

0.000 = +/- 0.031  
FRACTIONAL = +/- 1/32  
ANGLES = +/- 1/2 DEG

TITLE: **WIND LOAD CONFIGURATION  
INSULATED ROLLING STEEL DOOR  
CP0001/CP0651 SLAT IMPACT RATED**

DRAWN BY: **TJE**

DWG NO: **ES-16-64-CIW**

SIZE: **B**

SCALE: **AS NOTED**

SHEET: **14/27**

L'TR	REVISION	DATE	BY	E.C.O.
*	ORIGINAL ISSUE	10/13/14	TJE	1615
A	REMOVED SPECIFIC ENDLOCK, ADD INNER ANGLE NOTE	12/13/17	CJR	1663
B	REVISED BOTTOM BAR DETAIL; HOOD SUPPORT UPDATE	02/19/20	MAN	2027

CP0001/CP0651 - 0.0405/0.0220 Minimum Thickness Galvanized or Stainless Steel - 40 PSF																							
Concrete Minimum 3,000 PSI Compressive Strength (Anchors are the same diameter as assembly fasteners)																							
DBG Up To	Windlock Flat Location	Slip	Windlock	Guide Assembly	Windlock Weld Pitch	Assembly Fastener Diameter	Assembly Fastener Spacing	Hilti Kwik Bolt 3				Simpson Wedge All				Red Head Tru-Bolt				Powers Wedge-Bolt			
								Max O.C.	Embed	Min. Wall Thick.	Edge Dist	Max O.C.	Embed	Min. Wall Thick.	Edge Dist	Max O.C.	Embed	Min. Wall Thick.	Edge Dist	Max O.C.	Embed	Min. Wall Thick.	Edge Dist
5'-5"	1 1/2	0.656	CP0630 & CP0647	344	12	3/8	18	36	2 3/8	4	5 3/4	19	2 5/8	3 15/16	5 3/4	19	3	4 1/2	5 3/4	15	2	3	5 3/4
6'-5"	1 1/2	0.656	CP0630 & CP0647	344	12	3/8	18	36	2 3/8	4	5 3/4	16	2 5/8	3 15/16	5 3/4	16	3	4 1/2	5 3/4	12	2	3	5 3/4
7'-5"	1 1/2	0.656	CP0630 & CP0647	344	12	3/8	18	36	2 3/8	4	5 3/4	14	2 5/8	3 15/16	5 3/4	14	3	4 1/2	5 3/4	11	2	3	5 3/4
8'-5"	1 1/2	0.656	CP0630 & CP0647	344	12	3/8	18	22	2 3/8	4	5 3/4	12	2 5/8	3 15/16	5 3/4	12	3	4 1/2	5 3/4	9	2	3	5 3/4
9'-5"	1 1/2	0.656	CP0630 & CP0647	344	12	3/8	18	8	2 3/8	4	5 3/4	11	2 5/8	3 15/16	5 3/4	11	3	4 1/2	5 3/4	8	2	3	5 3/4
10'-5"	1 1/2	0.656	CP0630 & CP0647	344	12	3/8	18	7	2 3/8	5	5 3/4	10	2 5/8	3 15/16	5 3/4	10	3	4 1/2	5 3/4	7	2	3	5 3/4
11'-5"	1 1/2	0.656	CP0630 & CP0647	344	12	3/8	18	N/A				9	2 5/8	3 15/16	5 3/4	9	3	4 1/2	5 3/4	7	2	3	5 3/4
12'-5"	1 1/2	0.656	CP0630 & CP0647	344	12	3/8	18	N/A				8	2 5/8	3 15/16	5 3/4	8	3	4 1/2	5 3/4	6	2	3	5 3/4
14'-5"	1 7/16	0.594	CP0630 & CP0647	344	12	3/8	18	36	2 3/8	4	5 3/4	15	2 5/8	3 15/16	5 3/4	15	3	4 1/2	5 3/4	9	2	3	5 3/4
15'-5"	1 1/2	0.656	CP0630 & CP0647	344	12	3/8	16	12	2 3/8	5	5 3/4	10	2 5/8	3 15/16	5 3/4	11	3	4 1/2	5 3/4	6	2	3	5 3/4
16'-5"	1 1/2	0.656	CP0630 & CP0647	344	12	3/8	12	N/A				7	2 5/8	3 15/16	5 3/4	7	3	4 1/2	5 3/4	4	2	3	5 3/4
17'-5"	1 7/8	1.031	CP0630 & CP0647	445	12	1/2	18	36	3 5/8	6	6 13/16	17	4 1/2	6 3/4	6 13/16	14	4 1/8	6 3/16	6 13/16	8	2 1/2	3 3/4	6 13/16
18'-5"	2	1.156	CP0630 & CP0647	445	12	1/2	18	36	3 5/8	6	6 13/16	15	4 1/2	6 3/4	6 13/16	12	4 1/8	6 3/16	6 13/16	6	2 1/2	3 3/4	6 13/16
19'-5"	2	1.156	CP0630 & CP0647	445	10	1/2	17	36	3 5/8	8	6 13/16	12	4 1/2	6 3/4	6 13/16	9	4 1/8	6 3/16	6 13/16	8	3 1/2	5 1/4	6 13/16
20'-5"	2	1.156	CP0630 & CP0647	445	9	1/2	15	N/A				10	4 1/2	6 3/4	6 13/16	8	4 1/8	6 3/16	6 13/16	7	3 1/2	5 1/4	6 13/16
21'-5"	2	1.156	CP0630 & CP0647	445	9	1/2	13	N/A				9	4 1/2	6 3/4	6 13/16	7	4 1/8	6 3/16	6 13/16	6	3 1/2	5 1/4	6 13/16
22'-5"	2	1.156	CP0630 & CP0647	446	8	5/8	18	N/A				11	4 1/2	6 3/4	6 7/8	N/A				9	5	7 1/2	6 7/8
23'-5"	2	1.156	CP0630 & CP0647	546	8	5/8	17	N/A				9	4 1/2	6 3/4	6 7/8	N/A				8	5	7 1/2	6 7/8
24'-5"	2	1.156	CP0630 & CP0647	546	7	5/8	16	N/A				9	4 1/2	6 3/4	6 7/8	N/A				8	5	7 1/2	6 7/8
25'-5"	2	1.156	CP0630 & CP0647	546	7	5/8	15	N/A				8	4 1/2	6 3/4	6 7/8	N/A				N/A			
26'-5"	2 1/2	1.656	CP0630 & CP0647	548	7	3/4	18	28	5 5/8	8	7 1/2	12	5	7 1/2	7 1/2	13	6 5/8	9 15/16	7 1/2	N/A			
27'-5"	2 1/2	1.656	CP0630 & CP0647	548	7	3/4	18	N/A				11	5	7 1/2	7 1/2	12	6 5/8	9 15/16	7 1/2	N/A			
28'-5"	2 1/2	1.656	CP0630 & CP0647	548	7	3/4	18	N/A				10	5	7 1/2	7 1/2	11	6 5/8	9 15/16	7 1/2	N/A			
29'-5"	2 1/2	1.656	CP0630 & CP0647	548	7	3/4	18	N/A				9	5	7 1/2	7 1/2	10	6 5/8	9 15/16	7 1/2	N/A			
30'-5"	2 1/2	1.656	CP0630 & CP0647	548	6	3/4	18	N/A				9	5	7 1/2	7 1/2	10	6 5/8	9 15/16	7 1/2	N/A			
31'-5"	2 1/2	1.656	CP0630 & CP0647	548	6	3/4	17	N/A				8	5	7 1/2	7 1/2	9	6 5/8	9 15/16	7 1/2	N/A			
32'-5"	2 1/2	1.656	CP0630 & CP0647	648	6	3/4	16	N/A				8	5	7 1/2	7 1/2	7	6 5/8	9 15/16	7 1/2	N/A			
33'-5"	2 1/2	1.656	CP0630 & CP0647	648	6	3/4	15	N/A				7	5	7 1/2	7 1/2	6	6 5/8	9 15/16	7 1/2	N/A			
34'-5"	2 1/2	1.656	CP0630 & CP0647	648	6	3/4	14	N/A				7	5	7 1/2	7 1/2	N/A				N/A			
35'-5"	2 1/2	1.656	CP0630 & CP0647	648	5	3/4	14	N/A				7	5	7 1/2	7 1/2	N/A				N/A			
36'-5"	2 1/2	1.656	CP0630 & CP0647	648	5	3/4	13	N/A				N/A				N/A				N/A			
37'-5"	2 1/2	1.656	CP0630 & CP0647	648	5	3/4	13	N/A				N/A				N/A				N/A			
38'-5"	2 1/2	1.656	CP0630 & CP0647	648	5	3/4	12	N/A				N/A				N/A				N/A			
39'-5"	2 1/2	1.656	CP0630 & CP0647	648	5	3/4	12	N/A				N/A				N/A				N/A			



	24 ELMWOOD AVE 1901 S. LITCHFIELD RD MOUNTAINTOP, PA GOODYEAR, AZ		Unless otherwise specified, dimensions are in inches & tolerances are:		
	P: 800.233.8366 F: 800.526.0841 E: ADS@CORNELLIRON.COM		0.000 = +/- 0.031 FRACTIONAL = +/- 1/32 ANGLES = +/- 1/2 DEG		
TITLE: WIND LOAD CONFIGURATION INSULATED ROLLING STEEL DOOR CP0001/CP0651 SLAT IMPACT RATED		DRAWN BY: <b>TJE</b>	SIZE: <b>B</b>	SCALE: <b>AS NOTED</b>	SHEET: <b>15/27</b>
		DWG NO: <b>ES-16-64-CIW</b>			

L'TR	REVISION	DATE	BY	E.C.O.
*	ORIGINAL ISSUE	10/13/14	TJE	1615
A	REMOVED SPECIFIC ENDLOCK, ADD INNER ANGLE NOTE	12/13/17	CJR	1663
B	REVISED BOTTOM BAR DETAIL; HOOD SUPPORT UPDATE	02/19/20	MAN	2027

CP0001/CP0651 - 0.0405/0.0220 Minimum Thickness Galvanized or Stainless Steel - 40 PSF, Cont.

DBG Up To	Filled CMU												Cracked Concrete Minimum 3,000 PSI Compressive Strength												Steel (Wall anchors are the same diameter as assembly fasteners)						Superimposed Loads				
	Hilti Kwik Bolt 3				Simpson Strong-Bolt 2				Through Bolt				Hilti Kwik Bolt TZ				Simpson Strong-Bolt 2				ITW Redhead Trubolt+				Welded		Through Bolt	Tapped		Vx (+)	Vy (+)	Vx (-)	Vy (-)		
	Max O.C.	Dia.	Embed	Edge Dist	Max O.C.	Dia.	Embed	Edge Dist	Max. O.C.	Dia.	Edge Distance	Max O.C.	Dia.	Embed.	Min Wall Thick.	Edge Dist	Max O.C.	Dia.	Embed.	Min Wall Thick.	Edge Dist	Max O.C.	Dia.	Embed.	Min Wall Thick.	Edge Dist	Max O.C.	Slot Size	Max O.C.					Max O.C.	Min. Thickness
5'-5"	10	3/8	2 1/2	5 3/4	9	1/2	3 1/2	5 3/4	19	3/8	5 3/4	12 5/8	3/8	2 5/16	5	5 3/4	36	3/8	2 7/8	4 1/2	5 3/4	16 1/4	3/8	2	5	5 3/4	36	7/16 x 5/8	36	36	3/16	0	110	0	109
6'-5"	9	3/8	2 1/2	5 3/4	15	3/4	5 1/4	5 3/4	16	3/8	5 3/4	36	1/2	3 5/8	6	5 3/4	36	3/8	2 7/8	4 1/2	5 3/4	36	1/2	2 1/2	4	5 3/4	36	7/16 x 5/8	36	36	3/16	0	130	0	129
7'-5"	8	3/8	2 1/2	5 3/4	13	3/4	5 1/4	5 3/4	14	3/8	5 3/4	36	1/2	3 5/8	6	5 3/4	36	3/8	2 7/8	4 1/2	5 3/4	16 1/4	1/2	2 1/2	4	5 3/4	36	7/16 x 5/8	36	36	3/16	0	150	0	149
8'-5"	8	1/2	3 1/2	5 3/4	11	3/4	5 1/4	5 3/4	12	3/8	5 3/4	19	1/2	3 5/8	6	5 3/4	36	3/8	2 7/8	4 1/2	5 3/4	22 3/4	1/2	3 3/4	8	5 3/4	36	7/16 x 5/8	36	36	3/16	0	170	0	169
9'-5"	8	3/4	3 1/4	5 3/4	10	3/4	5 1/4	5 3/4	11	3/8	5 3/4	36	1/2	3 5/8	8	5 3/4	36	3/8	2 7/8	4 1/2	5 3/4	36	3/4	4 3/8	7	5 3/4	36	7/16 x 5/8	36	36	3/16	0	190	0	189
10'-5"	12	3/4	4 3/8	5 3/4	9	3/4	5 1/4	5 3/4	10	3/8	5 3/4	19	1/2	3 5/8	8	5 3/4	16 1/4	1/2	3 7/8	6	5 3/4	36	3/4	4 3/8	7	5 3/4	36	7/16 x 5/8	36	36	3/16	0	210	0	209
11'-5"	11	3/4	4 3/8	5 3/4	8	3/4	5 1/4	5 3/4	9	3/8	5 3/4	36	3/4	5 9/16	8	5 3/4	22 3/4	3/4	4 1/8	6 3/4	5 3/4	22 3/4	3/4	4 3/8	7	5 3/4	36	7/16 x 5/8	36	36	3/16	0	230	0	229
12'-5"	10	3/4	4 3/8	5 3/4	N/A				8	3/8	5 3/4	36	3/4	5 9/16	8	5 3/4	36	3/4	5 3/4	8 3/4	5 3/4	36	3/4	4 3/8	8	5 3/4	36	7/16 x 5/8	36	36	3/16	0	250	0	249
14'-5"	8	3/8	2 1/2	5 3/4	13	3/4	5 1/4	5 3/4	15	3/8	5 3/4	36	1/2	3 5/8	6	5 3/4	36	3/8	2 7/8	4 1/2	5 3/4	28 1/2	1/2	2 1/2	4	5 3/4	36	7/16 x 5/8	36	26	3/16	246	290	214	289
15'-5"	8	3/4	3 1/4	5 3/4	9	3/4	5 1/4	5 3/4	10	3/8	5 3/4	36	1/2	3 5/8	8	5 3/4	28 1/2	1/2	3 7/8	6	5 3/4	16 1/4	1/2	3 3/4	8	5 3/4	22	7/16 x 5/8	22	14	3/16	469	310	442	309
16'-5"	8	3/4	4 3/8	5 3/4	N/A				7	3/8	5 3/4	36	3/4	5 9/16	8	5 3/4	36	3/4	5 3/4	8 3/4	5 3/4	N/A				14	7/16 x 5/8	14	9	3/16	741	330	717	330	
17'-5"	10	3/4	4 3/8	6 13/16	8	3/4	5 1/4	6 13/16	17	1/2	6 13/16	36	3/4	5 9/16	8	6 13/16	22 3/4	3/4	4 1/8	6 3/4	6 13/16	28 1/2	3/4	4 3/8	7	6 13/16	36	9/16 x 3/4	36	22	1/4	622	349	606	349
18'-5"	9	3/4	4 3/8	6 13/16	N/A				15	1/2	6 13/16	36	3/4	5 9/16	8	6 13/16	36	3/4	5 3/4	8 3/4	6 13/16	22 3/4	3/4	4 3/8	8	6 13/16	33	9/16 x 3/4	33	18	1/4	746	369	732	369
19'-5"	N/A				N/A				12	1/2	6 13/16	N/A				36	3/4	5 3/4	8 3/4	6 13/16	N/A				26	9/16 x 3/4	26	14	1/4	942	388	929	389		
20'-5"	N/A				N/A				10	1/2	6 13/16	N/A				N/A				N/A				22	9/16 x 3/4	22	12	1/4	1130	408	1117	409			
21'-5"	N/A				N/A				9	1/2	6 13/16	N/A				N/A				N/A				18	9/16 x 3/4	18	10	1/4	1313	428	1301	429			
22'-5"	N/A				N/A				11	5/8	6 7/8	N/A				N/A				N/A				25	11/16 x 7/8	25	14	5/16	1492	448	1479	449			
23'-5"	N/A				N/A				9	5/8	6 7/8	N/A				N/A				N/A				22	11/16 x 7/8	22	12	5/16	1667	469	1655	470			
24'-5"	N/A				N/A				9	5/8	6 7/8	N/A				N/A				N/A				20	11/16 x 7/8	20	11	5/16	1841	489	1829	490			
25'-5"	N/A				N/A				8	5/8	6 7/8	N/A				N/A				N/A				18	11/16 x 7/8	18	10	5/16	2013	509	2001	510			
26'-5"	N/A				N/A				12	3/4	7 1/2	N/A				N/A				N/A				36	13/16 x 1	36	25	3/8	1761	528	1749	528			
27'-5"	N/A				N/A				11	3/4	7 1/2	N/A				N/A				N/A				36	13/16 x 1	36	23	3/8	1907	548	1895	548			
28'-5"	N/A				N/A				10	3/4	7 1/2	N/A				N/A				N/A				36	13/16 x 1	36	21	3/8	2053	568	2042	568			
29'-5"	N/A				N/A				9	3/4	7 1/2	N/A				N/A				N/A				36	13/16 x 1	36	20	3/8	2199	588	2188	589			
30'-5"	N/A				N/A				9	3/4	7 1/2	N/A				N/A				N/A				34	13/16 x 1	34	19	3/8	2345	608	2334	609			
31'-5"	N/A				N/A				8	3/4	7 1/2	N/A				N/A				N/A				32	13/16 x 1	32	17	3/8	2492	629	2480	629			
32'-5"	N/A				N/A				8	3/4	7 1/2	N/A				N/A				N/A				31	13/16 x 1	31	16	3/8	2639	649	2627	649			
33'-5"	N/A				N/A				7	3/4	7 1/2	N/A				N/A				N/A				29	13/16 x 1	29	16	3/8	2787	669	2775	670			
34'-5"	N/A				N/A				7	3/4	7 1/2	N/A				N/A				N/A				28	13/16 x 1	28	15	3/8	2935	689	2924	690			
35'-5"	N/A				N/A				7	3/4	7 1/2	N/A				N/A				N/A				26	13/16 x 1	26	14	3/8	3085	710	3073	710			
36'-5"	N/A				N/A				N/A			N/A			N/A			N/A			N/A			25	13/16 x 1	25	13	3/8	3235	730	3223	731			
37'-5"	N/A				N/A				N/A			N/A			N/A			N/A			N/A			24	13/16 x 1	24	13	3/8	3387	750	3375	751			
38'-5"	N/A				N/A				N/A			N/A			N/A			N/A			N/A			23	13/16 x 1	23	12	3/8	3539	771	3528	771			
39'-5"	N/A				N/A				N/A			N/A			N/A			N/A			N/A			22	13/16 x 1	22	12	3/8	3693	791	3681	792			



	24 ELMWOOD AVE 1901 S. LITCHFIELD RD MOUNTAINTOP, PA GOODYEAR, AZ	Unless otherwise specified, dimensions are in inches & tolerances are:  0.000 = +/- 0.031 FRACTIONAL = +/- 1/32 ANGLES = +/- 1/2 DEG
	P: 800.233.8366 F: 800.526.0841 E: ADS@CORNELLIRON.COM	TITLE: WIND LOAD CONFIGURATION INSULATED ROLLING STEEL DOOR CP0001/CP0651 SLAT IMPACT RATED



L'TR	REVISION	DATE	BY	E.C.O.
*	ORIGINAL ISSUE	10/13/14	TJE	1615
A	REMOVED SPECIFIC ENDLOCK, ADD INNER ANGLE NOTE	12/13/17	CJR	1663
B	REVISED BOTTOM BAR DETAIL; HOOD SUPPORT UPDATE	02/19/20	MAN	2027

CP0001/CP0651 - 0.0405/0.0220 Minimum Thickness Galvanized or Stainless Steel - 50 PSF																							
Concrete Minimum 3,000 PSI Compressive Strength (Anchors are the same diameter as assembly fasteners)																							
DBG Up To	Windlock Flat Location	Slip	Windlock	Guide Assembly	Windlock Weld Pitch	Assembly Fastener Diameter	Assembly Fastener Spacing	Hilti Kwik Bolt 3				Simpson Wedge All				Red Head Tru-Bolt				Powers Wedge-Bolt			
								Max O.C.	Embed	Min. Wall Thick.	Edge Dist	Max O.C.	Embed	Min. Wall Thick.	Edge Dist	Max O.C.	Embed	Min. Wall Thick.	Edge Dist	Max O.C.	Embed	Min. Wall Thick.	Edge Dist
5'-5"	1 1/2	0.656	CP0630 & CP0647	344	12	3/8	18	36	2 3/8	4	5 3/4	15	2 5/8	3 15/16	5 3/4	15	3	4 1/2	5 3/4	12	2	3	5 3/4
6'-5"	1 1/2	0.656	CP0630 & CP0647	344	12	3/8	18	28	2 3/8	4	5 3/4	12	2 5/8	3 15/16	5 3/4	13	3	4 1/2	5 3/4	10	2	3	5 3/4
7'-5"	1 1/2	0.656	CP0630 & CP0647	344	12	3/8	18	9	2 3/8	4	5 3/4	11	2 5/8	3 15/16	5 3/4	11	3	4 1/2	5 3/4	8	2	3	5 3/4
8'-5"	1 1/2	0.656	CP0630 & CP0647	344	12	3/8	18	N/A				9	2 5/8	3 15/16	5 3/4	10	3	4 1/2	5 3/4	7	2	3	5 3/4
9'-5"	1 1/2	0.656	CP0630 & CP0647	344	12	3/8	18	N/A				8	2 5/8	3 15/16	5 3/4	9	3	4 1/2	5 3/4	7	2	3	5 3/4
10'-5"	1 1/2	0.656	CP0630 & CP0647	344	12	3/8	18	N/A				8	2 5/8	3 15/16	5 3/4	8	3	4 1/2	5 3/4	6	2	3	5 3/4
11'-5"	1 1/2	0.656	CP0630 & CP0647	344	12	3/8	18	N/A				7	2 5/8	3 15/16	5 3/4	7	3	4 1/2	5 3/4	5	2	3	5 3/4
12'-5"	1 5/16	0.469	CP0630 & CP0647	DC1	12	1/2	18	16	3 1/2	5 1/4	5 3/4	16	4 1/2	6 3/4	5 3/4	N/A				N/A			
14'-5"	1 7/16	0.594	CP0630 & CP0647	344	12	3/8	13	N/A				8	2 5/8	3 15/16	5 3/4	8	3	4 1/2	5 3/4	5	2	3	5 3/4
15'-5"	1 1/2	0.656	CP0630 & CP0647	344	11	3/8	10	N/A				6	2 5/8	3 15/16	5 3/4	6	3	4 1/2	5 3/4	5	2 1/2	3 3/4	5 3/4
16'-5"	1 5/8	0.781	CP0630 & CP0647	445	10	1/2	17	36	3 5/8	8	6 13/16	12	4 1/2	6 3/4	6 13/16	9	4 1/8	6 3/16	6 13/16	8	3 1/2	5 1/4	6 13/16
17'-5"	1 7/8	1.031	CP0630 & CP0647	445	10	1/2	16	36	3 5/8	8	6 13/16	11	4 1/2	6 3/4	6 13/16	9	4 1/8	6 3/16	6 13/16	8	3 1/2	5 1/4	6 13/16
18'-5"	2	1.156	CP0630 & CP0647	445	9	1/2	14	N/A				10	4 1/2	6 3/4	6 13/16	8	4 1/8	6 3/16	6 13/16	7	3 1/2	5 1/4	6 13/16
19'-5"	2	1.156	CP0630 & CP0647	445	9	1/2	12	N/A				8	4 1/2	6 3/4	6 13/16	7	4 1/8	6 3/16	6 13/16	7	4	6	6 13/16
20'-5"	2	1.156	CP0630 & CP0647	446	8	5/8	18	N/A				10	4 1/2	6 3/4	6 7/8	N/A				9	5	7 1/2	6 7/8
21'-5"	2	1.156	CP0630 & CP0647	546	7	5/8	16	N/A				9	4 1/2	6 3/4	6 7/8	N/A				8	5	7 1/2	6 7/8
22'-5"	2	1.156	CP0630 & CP0647	546	7	5/8	14	N/A				8	4 1/2	6 3/4	6 7/8	N/A				N/A			
23'-5"	2 1/2	1.656	CP0630 & CP0647	548	7	3/4	18	28	5 5/8	8	7 1/2	11	5	7 1/2	7 1/2	13	6 5/8	9 15/16	7 1/2	N/A			
24'-5"	2 1/2	1.656	CP0630 & CP0647	548	7	3/4	18	N/A				10	5	7 1/2	7 1/2	12	6 5/8	9 15/16	7 1/2	N/A			
25'-5"	2 1/2	1.656	CP0630 & CP0647	548	7	3/4	18	N/A				10	5	7 1/2	7 1/2	11	6 5/8	9 15/16	7 1/2	N/A			
26'-5"	2 1/2	1.656	CP0630 & CP0647	548	6	3/4	18	N/A				9	5	7 1/2	7 1/2	10	6 5/8	9 15/16	7 1/2	N/A			
27'-5"	2 1/2	1.656	CP0630 & CP0647	648	6	3/4	17	N/A				8	5	7 1/2	7 1/2	8	6 5/8	9 15/16	7 1/2	N/A			
28'-5"	2 1/2	1.656	CP0630 & CP0647	648	6	3/4	16	N/A				8	5	7 1/2	7 1/2	7	6 5/8	9 15/16	7 1/2	N/A			
29'-5"	2 1/2	1.656	CP0630 & CP0647	648	6	3/4	15	N/A				7	5	7 1/2	7 1/2	5	6 5/8	9 15/16	7 1/2	N/A			
30'-5"	2 1/2	1.656	CP0630 & CP0647	648	6	3/4	14	N/A				7	5	7 1/2	7 1/2	N/A				N/A			
31'-5"	2 1/2	1.656	CP0630 & CP0647	648	5	3/4	13	N/A				N/A				N/A				N/A			
32'-5"	2 1/2	1.656	CP0630 & CP0647	648	5	3/4	13	N/A				N/A				N/A				N/A			



	24 ELMWOOD AVE 1901 S. LITCHFIELD RD MOUNTAINTOP, PA GOODYEAR, AZ		Unless otherwise specified, dimensions are in inches & tolerances are:		
	P: 800.233.8366 F: 800.526.0841 E: ADS@CORNELLIRON.COM		0.000 = +/- 0.031 FRACTIONAL = +/- 1/32 ANGLES = +/- 1/2 DEG		
<b>TITLE:</b> WIND LOAD CONFIGURATION INSULATED ROLLING STEEL DOOR CP0001/CP0651 SLAT IMPACT RATED		<b>DRAWN BY:</b> TJE	<b>SIZE:</b> B	<b>SCALE:</b> AS NOTED	<b>SHEET:</b> 17/27
		<b>DWG NO:</b> ES-16-64-CIW			

L'TR	REVISION	DATE	BY	E.C.O.
*	ORIGINAL ISSUE	10/13/14	TJE	1615
A	REMOVED SPECIFIC ENDLOCK, ADD INNER ANGLE NOTE	12/13/17	CJR	1663
B	REVISED BOTTOM BAR DETAIL; HOOD SUPPORT UPDATE	02/19/20	MAN	2027

CP0001/CP0651 - 0.0405/0.0220 Minimum Thickness Galvanized or Stainless Steel - 50 PSF, Cont.																					
DBG Up To	Filled CMU												Steel (Wall anchors are the same diameter as assembly fasteners)					Superimposed Loads			
	Hilti Kwik Bolt 3				Simpson Strong-Bolt 2				Through Bolt				Welded		Through Bolt	Tapped		Vx (+)	Vy (+)	Vx (-)	Vy (-)
	Max O.C.	Dia.	Embed	Edge Dist	Max O.C.	Dia.	Embed	Edge Dist	Max. O.C.	Dia.	Edge Distance	Max O.C.	Slot Size	Max O.C.	Max O.C.	Min. Thickness					
5'-5"	8	3/8	2 1/2	5 3/4	14	3/4	5 1/4	5 3/4	15	3/8	5 3/4	36	7/16 x 5/8	36	36	3/16	0	138	0	136	
6'-5"	8	1/2	3 1/2	5 3/4	12	3/4	5 1/4	5 3/4	12	3/8	5 3/4	36	7/16 x 5/8	36	36	3/16	0	163	0	161	
7'-5"	8	3/4	3 1/4	5 3/4	10	3/4	5 1/4	5 3/4	11	3/8	5 3/4	36	7/16 x 5/8	36	36	3/16	0	188	0	186	
8'-5"	11	3/4	4 3/8	5 3/4	9	3/4	5 1/4	5 3/4	9	3/8	5 3/4	36	7/16 x 5/8	36	36	3/16	0	213	0	211	
9'-5"	10	3/4	4 3/8	5 3/4	8	3/4	5 1/4	5 3/4	8	3/8	5 3/4	36	7/16 x 5/8	36	36	3/16	0	238	0	236	
10'-5"	9	3/4	4 3/8	5 3/4	N/A				8	3/8	5 3/4	36	7/16 x 5/8	36	36	3/16	0	263	0	261	
11'-5"	8	3/4	4 3/8	5 3/4	N/A				7	3/8	5 3/4	36	7/16 x 5/8	36	36	3/16	0	288	0	286	
12'-5"	8	1/2	3 1/2	5 3/4	8	1/2	4 1/2	5 3/4	N/A				18	9/16 x 3/4	18	18	1/4	12	312	0	310
14'-5"	10	3/4	4 3/8	5 3/4	N/A				8	3/8	5 3/4	17	7/16 x 5/8	17	11	3/16	608	363	573	362	
15'-5"	N/A				N/A				6	3/8	5 3/4	12	7/16 x 5/8	12	8	3/16	849	388	819	387	
16'-5"	N/A				N/A				12	1/2	6 13/16	25	9/16 x 3/4	25	14	1/4	980	411	956	412	
17'-5"	N/A				N/A				11	1/2	6 13/16	25	9/16 x 3/4	25	14	1/4	984	436	966	436	
18'-5"	N/A				N/A				10	1/2	6 13/16	22	9/16 x 3/4	22	12	1/4	1117	460	1101	461	
19'-5"	N/A				N/A				8	1/2	6 13/16	18	9/16 x 3/4	18	10	1/4	1343	485	1328	486	
20'-5"	N/A				N/A				10	5/8	6 7/8	24	11/16 x 7/8	24	13	5/16	1563	510	1548	511	
21'-5"	N/A				N/A				9	5/8	6 7/8	21	11/16 x 7/8	21	11	5/16	1778	535	1763	537	
22'-5"	N/A				N/A				8	5/8	6 7/8	18	11/16 x 7/8	18	10	5/16	1989	561	1974	562	
23'-5"	N/A				N/A				11	3/4	7 1/2	36	13/16 x 1	36	25	3/8	1757	585	1742	585	
24'-5"	N/A				N/A				10	3/4	7 1/2	36	13/16 x 1	36	22	3/8	1936	610	1921	610	
25'-5"	N/A				N/A				10	3/4	7 1/2	36	13/16 x 1	36	21	3/8	2113	635	2098	635	
26'-5"	N/A				N/A				9	3/4	7 1/2	35	13/16 x 1	35	19	3/8	2290	660	2276	660	
27'-5"	N/A				N/A				8	3/4	7 1/2	33	13/16 x 1	33	18	3/8	2467	685	2452	686	
28'-5"	N/A				N/A				8	3/4	7 1/2	30	13/16 x 1	30	16	3/8	2643	710	2629	711	
29'-5"	N/A				N/A				7	3/4	7 1/2	29	13/16 x 1	29	15	3/8	2821	736	2807	736	
30'-5"	N/A				N/A				7	3/4	7 1/2	27	13/16 x 1	27	14	3/8	2999	761	2985	762	
31'-5"	N/A				N/A				N/A				25	13/16 x 1	25	14	3/8	3178	786	3164	787
32'-5"	N/A				N/A				N/A				24	13/16 x 1	24	13	3/8	3357	812	3343	812



	24 ELMWOOD AVE 1901 S. LITCHFIELD RD MOUNTAINTOP, PA GOODYEAR, AZ	Unless otherwise specified, dimensions are in inches & tolerances are:  0.000 = +/- 0.031 FRACTIONAL = +/- 1/32 ANGLES = +/- 1/2 DEG
	P: 800.233.8366 F: 800.526.0841 E: ADS@CORNELLIRON.COM	TITLE: WIND LOAD CONFIGURATION INSULATED ROLLING STEEL DOOR CP0001/CP0651 SLAT IMPACT RATED

L'TR	REVISION	DATE	BY	E.C.O.
*	ORIGINAL ISSUE	10/13/14	TJE	1615
A	REMOVED SPECIFIC ENDLOCK, ADD INNER ANGLE NOTE	12/13/17	CJR	1663
B	REVISED BOTTOM BAR DETAIL; HOOD SUPPORT UPDATE	02/19/20	MAN	2027

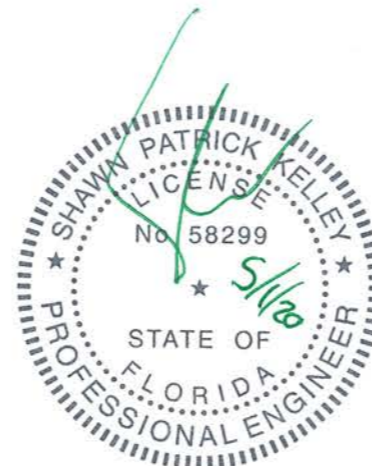
CP0001/CP0651 - 0.0405/0.0220 Minimum Thickness Galvanized or Stainless Steel - 60 PSF																							
Concrete Minimum 3,000 PSI Compressive Strength (Anchors are the same diameter as assembly fasteners)																							
DBG Up To	Windlock Flat Location	Slip	Windlock	Guide Assembly	Windlock Weld Pitch	Assembly Fastener Diameter	Assembly Fastener Spacing	Hilti Kwik Bolt 3				Simpson Wedge All				Red Head Tru-Bolt				Powers Wedge-Bolt			
								Max O.C.	Embed	Min. Wall Thick.	Edge Dist	Max O.C.	Embed	Min. Wall Thick.	Edge Dist	Max O.C.	Embed	Min. Wall Thick.	Edge Dist	Max O.C.	Embed	Min. Wall Thick.	Edge Dist
5'-5"	1 1/2	0.656	CP0630 & CP0647	344	12	3/8	18	28	2 3/8	4	5 3/4	12	2 5/8	3 15/16	5 3/4	13	3	4 1/2	5 3/4	10	2	3	5 3/4
6'-5"	1 1/2	0.656	CP0630 & CP0647	344	12	3/8	18	16	2 3/8	5	5 3/4	10	2 5/8	3 15/16	5 3/4	11	3	4 1/2	5 3/4	8	2	3	5 3/4
7'-5"	1 1/2	0.656	CP0630 & CP0647	344	12	3/8	18	N/A				9	2 5/8	3 15/16	5 3/4	9	3	4 1/2	5 3/4	7	2	3	5 3/4
8'-5"	1 1/2	0.656	CP0630 & CP0647	344	12	3/8	18	N/A				8	2 5/8	3 15/16	5 3/4	8	3	4 1/2	5 3/4	6	2	3	5 3/4
9'-5"	1 1/2	0.656	CP0630 & CP0647	344	12	3/8	18	N/A				7	2 5/8	3 15/16	5 3/4	7	3	4 1/2	5 3/4	5	2	3	5 3/4
10'-5"	1 1/2	0.656	CP0630 & CP0647	344	12	3/8	18	N/A				6	2 5/8	3 15/16	5 3/4	6	3	4 1/2	5 3/4	5	2	3	5 3/4
12'-5"	1 5/16	0.469	CP0630 & CP0647	DC1	12	1/2	18	16	3 1/2	5 1/4	5 3/4	16	4 1/2	6 3/4	5 3/4	N/A				N/A			
14'-5"	1 7/16	0.594	CP0630 & CP0647	445	10	1/2	18	36	3 5/8	8	6 13/16	12	4 1/2	6 3/4	6 13/16	9	4 1/8	6 3/16	6 13/16	8	3 1/2	5 1/4	6 13/16
15'-5"	1 1/2	0.656	CP0630 & CP0647	445	9	1/2	14	N/A				9	4 1/2	6 3/4	6 13/16	7	4 1/8	6 3/16	6 13/16	6	3 1/2	5 1/4	6 13/16
16'-5"	1 5/8	0.781	CP0630 & CP0647	445	8	1/2	13	N/A				8	4 1/2	6 3/4	6 13/16	7	4 1/8	6 3/16	6 13/16	6	3 1/2	5 1/4	6 13/16
17'-5"	1 7/8	1.031	CP0630 & CP0647	445	9	1/2	12	N/A				8	4 1/2	6 3/4	6 13/16	6	4 1/8	6 3/16	6 13/16	7	4	6	6 13/16
18'-5"	2	1.156	CP0630 & CP0647	446	8	5/8	18	N/A				10	4 1/2	6 3/4	6 7/8	N/A				9	5	7 1/2	6 7/8
19'-5"	2	1.156	CP0630 & CP0647	546	7	5/8	16	N/A				9	4 1/2	6 3/4	6 7/8	N/A				8	5	7 1/2	6 7/8
20'-5"	2	1.156	CP0630 & CP0647	546	7	5/8	14	N/A				8	4 1/2	6 3/4	6 7/8	N/A				N/A			
21'-5"	2 1/2	1.656	CP0630 & CP0647	548	7	3/4	18	22	5 5/8	8	7 1/2	11	5	7 1/2	7 1/2	12	6 5/8	9 15/16	7 1/2	N/A			
22'-5"	2 1/2	1.656	CP0630 & CP0647	548	7	3/4	18	N/A				10	5	7 1/2	7 1/2	11	6 5/8	9 15/16	7 1/2	N/A			
23'-5"	2 1/2	1.656	CP0630 & CP0647	548	7	3/4	18	N/A				9	5	7 1/2	7 1/2	10	6 5/8	9 15/16	7 1/2	N/A			
25'-5"	2 1/2	1.656	CP0630 & CP0647	DC3	6	3/4	15	11	4 3/4	7 1/8	7 1/2	11	5	7 1/2	7 1/2	N/A				N/A			
26'-5"	2 1/2	1.656	CP0630 & CP0647	648	6	3/4	14	N/A				7	5	7 1/2	7 1/2	5	6 5/8	9 15/16	7 1/2	N/A			
27'-5"	2 1/2	1.656	CP0630 & CP0647	648	6	3/4	13	N/A				7	5	7 1/2	7 1/2	N/A				N/A			
28'-5"	2 1/2	1.656	CP0630 & CP0647	648	5	3/4	13	N/A				N/A				N/A				N/A			
29'-5"	2 1/2	1.656	CP0630 & CP0647	648	5	3/4	12	N/A				N/A				N/A				N/A			



	24 ELMWOOD AVE 1901 S. LITCHFIELD RD MOUNTAINTOP, PA GOODYEAR, AZ	Unless otherwise specified, dimensions are in inches & tolerances are:  0.000 = +/- 0.031 FRACTIONAL = +/- 1/32 ANGLES = +/- 1/2 DEG
	P: 800.233.8366 F: 800.526.0841 E: ADS@CORNELLIRON.COM	TITLE: WIND LOAD CONFIGURATION INSULATED ROLLING STEEL DOOR CP0001/CP0651 SLAT IMPACT RATED

L'TR	REVISION	DATE	BY	E.C.O.
*	ORIGINAL ISSUE	10/13/14	TJE	1615
A	REMOVED SPECIFIC ENDLOCK, ADD INNER ANGLE NOTE	12/13/17	CJR	1663
B	REVISED BOTTOM BAR DETAIL; HOOD SUPPORT UPDATE	02/19/20	MAN	2027

CP0001/CP0651 - 0.0405/0.0220 Minimum Thickness Galvanized or Stainless Steel - 60 PSF, Cont.																				
DBG Up To	Filled CMU								Steel (Wall anchors are the same diameter as assembly fasteners)							Superimposed Loads				
	Hilti Kwik Bolt 3				Simpson Strong-Bolt 2				Through Bolt			Welded		Through Bolt	Tapped		Vx (+)	Vy (+)	Vx (-)	Vy (-)
	Max O.C.	Dia.	Embed	Edge Dist	Max O.C.	Dia.	Embed	Edge Dist	Max. O.C.	Dia.	Edge Distance	Max O.C.	Slot Size	Max O.C.	Max O.C.	Min. Thickness				
5'-5"	8	1/2	3 1/2	5 3/4	11	3/4	5 1/4	5 3/4	12	3/8	5 3/4	36	7/16 x 5/8	36	36	3/16	0	165	0	163
6'-5"	8	3/4	3 1/4	5 3/4	10	3/4	5 1/4	5 3/4	10	3/8	5 3/4	36	7/16 x 5/8	36	36	3/16	0	195	0	193
7'-5"	11	3/4	4 3/8	5 3/4	8	3/4	5 1/4	5 3/4	9	3/8	5 3/4	36	7/16 x 5/8	36	36	3/16	0	225	0	223
8'-5"	9	3/4	4 3/8	5 3/4	N/A				8	3/8	5 3/4	36	7/16 x 5/8	36	36	3/16	0	255	0	253
9'-5"	8	3/4	4 3/8	5 3/4	N/A				7	3/8	5 3/4	36	7/16 x 5/8	36	36	3/16	0	285	0	283
10'-5"	8	3/4	4 3/8	5 3/4	N/A				6	3/8	5 3/4	36	7/16 x 5/8	36	36	3/16	0	315	0	313
12'-5"	8	1/2	3 1/2	5 3/4	8	1/2	4 1/2	5 3/4	N/A			18	9/16 x 3/4	18	18	1/4	340	375	288	373
14'-5"	N/A				N/A				12	1/2	6 13/16	25	9/16 x 3/4	25	14	1/4	964	434	930	434
15'-5"	N/A				N/A				9	1/2	6 13/16	20	9/16 x 3/4	20	11	1/4	1226	464	1196	465
16'-5"	N/A				N/A				8	1/2	6 13/16	18	9/16 x 3/4	18	10	1/4	1363	494	1336	495
17'-5"	N/A				N/A				8	1/2	6 13/16	18	9/16 x 3/4	18	10	1/4	1347	523	1326	524
18'-5"	N/A				N/A				10	5/8	6 7/8	25	11/16 x 7/8	25	14	5/16	1488	552	1470	553
19'-5"	N/A				N/A				9	5/8	6 7/8	21	11/16 x 7/8	21	11	5/16	1745	582	1727	584
20'-5"	N/A				N/A				8	5/8	6 7/8	18	11/16 x 7/8	18	10	5/16	1996	613	1978	614
21'-5"	N/A				N/A				11	3/4	7 1/2	36	13/16 x 1	36	24	3/8	1779	641	1761	642
22'-5"	N/A				N/A				10	3/4	7 1/2	36	13/16 x 1	36	22	3/8	1990	672	1972	672
23'-5"	N/A				N/A				9	3/4	7 1/2	36	13/16 x 1	36	20	3/8	2198	702	2181	702
25'-5"	N/A				N/A				8	3/4	7 1/2	15	13/16 x 1	15	15	3/8	2612	761	2595	762
26'-5"	N/A				N/A				7	3/4	7 1/2	28	13/16 x 1	28	15	3/8	2819	792	2802	793
27'-5"	N/A				N/A				7	3/4	7 1/2	27	13/16 x 1	27	14	3/8	3026	822	3009	823
28'-5"	N/A				N/A				N/A			25	13/16 x 1	25	13	3/8	3233	853	3217	854
29'-5"	N/A				N/A				N/A			23	13/16 x 1	23	12	3/8	3442	883	3426	884

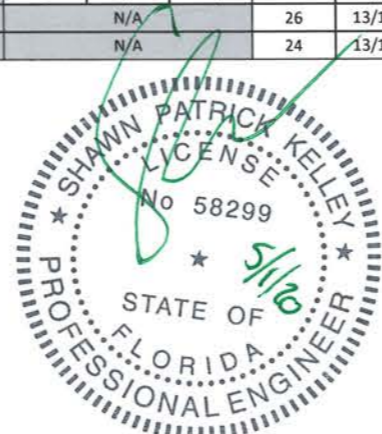


	24 ELMWOOD AVE 1901 S. LITCHFIELD RD MOUNTAINTOP, PA GOODYEAR, AZ		Unless otherwise specified, dimensions are in inches & tolerances are:  0.000 = +/- 0.031 FRACTIONAL = +/- 1/32 ANGLES = +/- 1/2 DEG	
	P: 800.233.8366 F: 800.526.0841 E: ADS@CORNELLIRON.COM		TITLE: WIND LOAD CONFIGURATION INSULATED ROLLING STEEL DOOR CP0001/CP0651 SLAT IMPACT RATED	DRAWN BY: TJE SIZE: B SCALE: AS NOTED SHEET: 20/27 DWG NO: ES-16-64-CIW

L'TR	REVISION	DATE	BY	E.C.O.
*	ORIGINAL ISSUE	10/13/14	TJE	1615
A	REMOVED SPECIFIC ENDLOCK, ADD INNER ANGLE NOTE	12/13/17	CJR	1663
B	REVISED BOTTOM BAR DETAIL; HOOD SUPPORT UPDATE	02/19/20	MAN	2027

CP0001/CP0651 - 0.0405/0.0220 Minimum Thickness Galvanized or Stainless Steel - 65 PSF																							
Concrete Minimum 3,000 PSI Compressive Strength (Anchors are the same diameter as assembly fasteners)																							
DBG Up To	Windlock Flat Location	Slip	Windlock	Guide Assembly	Windlock Weld Pitch	Assembly Fastener Diameter	Assembly Fastener Spacing	Hilti Kwik Bolt 3				Simpson Wedge All				Red Head Tru-Bolt				Powers Wedge-Bolt			
								Max O.C.	Embed	Min. Wall Thick.	Edge Dist	Max O.C.	Embed	Min. Wall Thick.	Edge Dist	Max O.C.	Embed	Min. Wall Thick.	Edge Dist	Max O.C.	Embed	Min. Wall Thick.	Edge Dist
5'-5"	1 1/2	0.656	CP0630 & CP0647	344	12	3/8	18	16	2 3/8	4	5 3/4	11	2 5/8	3 15/16	5 3/4	12	3	4 1/2	5 3/4	9	2	3	5 3/4
6'-5"	1 1/2	0.656	CP0630 & CP0647	344	12	3/8	18	6	2 3/8	5	5 3/4	9	2 5/8	3 15/16	5 3/4	10	3	4 1/2	5 3/4	7	2	3	5 3/4
7'-5"	1 1/2	0.656	CP0630 & CP0647	344	12	3/8	18	N/A				8	2 5/8	3 15/16	5 3/4	8	3	4 1/2	5 3/4	6	2	3	5 3/4
8'-5"	1 1/2	0.656	CP0630 & CP0647	344	12	3/8	18	N/A				7	2 5/8	3 15/16	5 3/4	7	3	4 1/2	5 3/4	6	2	3	5 3/4
9'-5"	1 1/2	0.656	CP0630 & CP0647	344	12	3/8	18	N/A				6	2 5/8	3 15/16	5 3/4	7	3	4 1/2	5 3/4	5	2	3	5 3/4
12'-5"	1 5/16	0.469	CP0630 & CP0647	DC1	12	1/2	18	16	3 1/2	5 1/4	5 3/4	16	4 1/2	6 3/4	5 3/4	N/A				N/A			
14'-5"	1 7/16	0.594	CP0630 & CP0647	445	9	1/2	15	N/A				10	4 1/2	6 3/4	6 13/16	8	4 1/8	6 3/16	6 13/16	7	3 1/2	5 1/4	6 13/16
15'-5"	1 1/2	0.656	CP0630 & CP0647	445	8	1/2	13	N/A				8	4 1/2	6 3/4	6 13/16	6	4 1/8	6 3/16	6 13/16	7	4	6	6 13/16
16'-5"	1 5/8	0.781	CP0630 & CP0647	446	8	5/8	18	N/A				10	4 1/2	6 3/4	6 7/8	N/A				9	5	7 1/2	6 7/8
17'-5"	1 7/8	1.031	CP0630 & CP0647	446	8	5/8	18	N/A				10	4 1/2	6 3/4	6 7/8	N/A				9	5	7 1/2	6 7/8
18'-5"	2	1.156	CP0630 & CP0647	546	8	5/8	16	N/A				9	4 1/2	6 3/4	6 7/8	N/A				8	5	7 1/2	6 7/8
19'-5"	2	1.156	CP0630 & CP0647	546	7	5/8	14	N/A				8	4 1/2	6 3/4	6 7/8	N/A				7	5	7 1/2	6 7/8
20'-5"	2 1/2	1.656	CP0630 & CP0647	548	7	3/4	18	22	5 5/8	8	7 1/2	11	5	7 1/2	7 1/2	12	6 5/8	9 15/16	7 1/2	N/A			
21'-5"	2 1/2	1.656	CP0630 & CP0647	548	7	3/4	18	N/A				10	5	7 1/2	7 1/2	11	6 5/8	9 15/16	7 1/2	N/A			
22'-5"	2 1/2	1.656	CP0630 & CP0647	548	7	3/4	18	N/A				9	5	7 1/2	7 1/2	10	6 5/8	9 15/16	7 1/2	N/A			
25'-5"	2 1/2	1.656	CP0630 & CP0647	DC3	6	3/4	15	11	4 3/4	7 1/8	7 1/2	11	5	7 1/2	7 1/2	N/A				N/A			
26'-5"	2 1/2	1.656	CP0630 & CP0647	648	5	3/4	13	N/A				N/A				N/A				N/A			
27'-5"	2 1/2	1.656	CP0630 & CP0647	648	5	3/4	12	N/A				N/A				N/A				N/A			

CP0001/CP0651 - 0.0405/0.0220 Minimum Thickness Galvanized or Stainless Steel - 65 PSF, Cont.																						
DBG Up To	Filled CMU												Steel (Wall anchors are the same diameter as assembly fasteners)						Superimposed Loads			
	Hilti Kwik Bolt 3				Simpson Strong-Bolt 2				Through Bolt				Welded		Through Bolt	Tapped						
	Max O.C.	Dia.	Embed	Edge Dist	Max O.C.	Dia.	Embed	Edge Dist	Max O.C.	Dia.	Edge Distance	Max O.C.	Slot Size	Max O.C.	Max O.C.	Min. Thickness	Vx (+)	Vy (+)	Vx (-)	Vy (-)		
5'-5"	8	3/4	3 1/4	5 3/4	10	3/4	5 1/4	5 3/4	11	3/8	5 3/4	36	7/16 x 5/8	36	36	3/16	0	179	0	177		
6'-5"	12	3/4	4 3/8	5 3/4	9	3/4	5 1/4	5 3/4	9	3/8	5 3/4	36	7/16 x 5/8	36	36	3/16	0	212	0	209		
7'-5"	10	3/4	4 3/8	5 3/4	8	3/4	5 1/4	5 3/4	8	3/8	5 3/4	36	7/16 x 5/8	36	36	3/16	0	244	0	242		
8'-5"	9	3/4	4 3/8	5 3/4	N/A				7	3/8	5 3/4	36	7/16 x 5/8	36	36	3/16	0	277	0	274		
9'-5"	8	3/4	4 3/8	5 3/4	N/A				6	3/8	5 3/4	36	7/16 x 5/8	36	36	3/16	0	309	0	307		
12'-5"	8	1/2	3 1/2	5 3/4	8	1/2	4 1/2	5 3/4	N/A				18	9/16 x 3/4	18	18	1/4	504	406	450	404	
14'-5"	N/A				N/A				10	1/2	6 13/16	21	9/16 x 3/4	21	12	1/4	1146	470	1111	471		
15'-5"	N/A				N/A				8	1/2	6 13/16	17	9/16 x 3/4	17	9	1/4	1417	503	1385	504		
16'-5"	N/A				N/A				10	5/8	6 7/8	24	11/16 x 7/8	24	13	5/16	1555	535	1527	536		
17'-5"	N/A				N/A				10	5/8	6 7/8	24	11/16 x 7/8	24	13	5/16	1528	566	1506	567		
18'-5"	N/A				N/A				9	5/8	6 7/8	22	11/16 x 7/8	22	12	5/16	1674	598	1654	600		
19'-5"	N/A				N/A				8	5/8	6 7/8	19	11/16 x 7/8	19	10	5/16	1946	631	1927	632		
20'-5"	N/A				N/A				11	3/4	7 1/2	36	13/16 x 1	36	25	3/8	1745	662	1725	663		
21'-5"	N/A				N/A				10	3/4	7 1/2	36	13/16 x 1	36	22	3/8	1972	695	1953	695		
22'-5"	N/A				N/A				9	3/4	7 1/2	36	13/16 x 1	36	20	3/8	2197	727	2178	728		
25'-5"	N/A				N/A				8	3/4	7 1/2	15	13/16 x 1	15	15	3/8	2861	825	2844	826		
26'-5"	N/A				N/A				N/A				26	13/16 x 1	26	14	3/8	3083	858	3066	859	
27'-5"	N/A				N/A				N/A				24	13/16 x 1	24	13	3/8	3305	891	3288	892	



24 ELMWOOD AVE 1901 S. LITCHFIELD RD  
MOUNTAINTOP, PA GOODYEAR, AZ

P: 800.233.8366  
F: 800.526.0841  
E: ADS@CORNELLIRON.COM

Unless otherwise specified, dimensions are in inches & tolerances are:

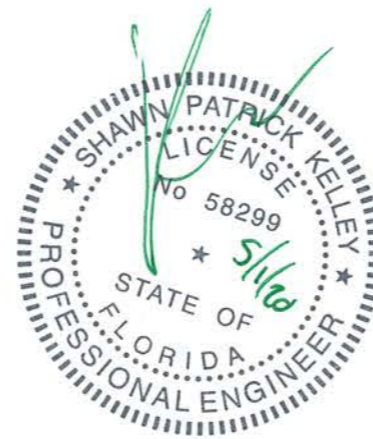
0.000 = +/- 0.031  
FRACTIONAL = +/- 1/32  
ANGLES = +/- 1/2 DEG

TITLE: WIND LOAD CONFIGURATION  
INSULATED ROLLING STEEL DOOR  
CP0001/CP0651 SLAT IMPACT RATED

DRAWN BY: TJE  
SIZE: B  
SCALE: AS NOTED  
SHEET: 21/27  
DWG NO: ES-16-64-CIW

L'TR	REVISION	DATE	BY	E.C.O.
*	ORIGINAL ISSUE	10/13/14	TJE	1615
A	REMOVED SPECIFIC ENDLOCK, ADD INNER ANGLE NOTE	12/13/17	CJR	1663
B	REVISED BOTTOM BAR DETAIL; HOOD SUPPORT UPDATE	02/19/20	MAN	2027

CP0001/CP0651 - 0.0405/0.0220 Minimum Thickness Galvanized or Stainless Steel - 70 PSF																							
Concrete Minimum 3,000 PSI Compressive Strength (Anchors are the same diameter as assembly fasteners)																							
DBG Up To	Windlock Flat Location	Slip	Windlock	Guide Assembly	Windlock Weld Pitch	Assembly Fastener Diameter	Assembly Fastener Spacing	Hilti Kwik Bolt 3				Simpson Wedge All				Red Head Tru-Bolt				Powers Wedge-Bolt			
								Max O.C.	Embed	Min. Wall Thick.	Edge Dist	Max O.C.	Embed	Min. Wall Thick.	Edge Dist	Max O.C.	Embed	Min. Wall Thick.	Edge Dist	Max O.C.	Embed	Min. Wall Thick.	Edge Dist
5'-5"	1 1/2	0.656	CP0630 & CP0647	344	12	3/8	18	6	2 3/8	4	5 3/4	10	2 5/8	3 15/16	5 3/4	11	3	4 1/2	5 3/4	8	2	3	5 3/4
6'-5"	1 1/2	0.656	CP0630 & CP0647	344	12	3/8	18	N/A				9	2 5/8	3 15/16	5 3/4	9	3	4 1/2	5 3/4	7	2	3	5 3/4
7'-5"	1 1/2	0.656	CP0630 & CP0647	344	12	3/8	18	N/A				8	2 5/8	3 15/16	5 3/4	8	3	4 1/2	5 3/4	6	2	3	5 3/4
8'-5"	1 1/2	0.656	CP0630 & CP0647	344	12	3/8	18	N/A				7	2 5/8	3 15/16	5 3/4	7	3	4 1/2	5 3/4	5	2	3	5 3/4
9'-5"	1 1/2	0.656	CP0630 & CP0647	344	12	3/8	18	N/A				6	2 5/8	3 15/16	5 3/4	6	3	4 1/2	5 3/4	5	2	3	5 3/4
13'-5"	1 5/16	0.469	CP0630 & CP0647	445	9	1/2	15	N/A				10	4 1/2	6 3/4	6 13/16	8	4 1/8	6 3/16	6 13/16	7	3 1/2	5 1/4	6 13/16
14'-5"	1 7/16	0.594	CP0630 & CP0647	445	9	1/2	13	N/A				9	4 1/2	6 3/4	6 13/16	7	4 1/8	6 3/16	6 13/16	6	3 1/2	5 1/4	6 13/16
15'-5"	1 1/2	0.656	CP0630 & CP0647	446	8	5/8	18	N/A				10	4 1/2	6 3/4	6 7/8	N/A				9	5	7 1/2	6 7/8
16'-5"	1 5/8	0.781	CP0630 & CP0647	546	7	5/8	16	N/A				9	4 1/2	6 3/4	6 7/8	N/A				8	5	7 1/2	6 7/8
17'-5"	1 7/8	1.031	CP0630 & CP0647	546	7	5/8	16	N/A				9	4 1/2	6 3/4	6 7/8	N/A				8	5	7 1/2	6 7/8
18'-5"	2	1.156	CP0630 & CP0647	546	7	5/8	15	N/A				8	4 1/2	6 3/4	6 7/8	N/A				7	5	7 1/2	6 7/8
19'-5"	2 1/4	1.406	CP0630 & CP0647	548	7	3/4	18	N/A				11	5	7 1/2	7 1/2	12	6 5/8	9 15/16	7 1/2	N/A			
20'-5"	2 1/2	1.656	CP0630 & CP0647	548	7	3/4	18	N/A				10	5	7 1/2	7 1/2	11	6 5/8	9 15/16	7 1/2	N/A			
21'-5"	2 1/2	1.656	CP0630 & CP0647	548	7	3/4	18	N/A				9	5	7 1/2	7 1/2	10	6 5/8	9 15/16	7 1/2	N/A			
22'-5"	2 1/2	1.656	CP0630 & CP0647	648	6	3/4	16	N/A				8	5	7 1/2	7 1/2	8	6 5/8	9 15/16	7 1/2	N/A			
23'-5"	2 1/2	1.656	CP0630 & CP0647	648	6	3/4	15	N/A				8	5	7 1/2	7 1/2	6	6 5/8	9 15/16	7 1/2	N/A			
24'-5"	2 1/2	1.656	CP0630 & CP0647	648	6	3/4	14	N/A				7	5	7 1/2	7 1/2	N/A				N/A			
25'-5"	2 1/2	1.656	CP0630 & CP0647	648	5	3/4	13	N/A				N/A				N/A				N/A			
26'-5"	2 1/2	1.656	CP0630 & CP0647	648	5	3/4	12	N/A				N/A				N/A				N/A			



	24 ELMWOOD AVE 1901 S. LITCHFIELD RD MOUNTAINTOP, PA GOODYEAR, AZ		Unless otherwise specified, dimensions are in inches & tolerances are:		
	P: 800.233.8366 F: 800.526.0841 E: ADS@CORNELLIRON.COM		0.000 = +/- 0.031 FRACTIONAL = +/- 1/32 ANGLES = +/- 1/2 DEG		
TITLE: WIND LOAD CONFIGURATION INSULATED ROLLING STEEL DOOR CP0001/CP0651 SLAT IMPACT RATED		DRAWN BY: <b>TJE</b>	SIZE: <b>B</b>	SCALE: AS NOTED	SHEET: <b>22/27</b>
		DWG NO: <b>ES-16-64-CIW</b>			

L'TR	REVISION	DATE	BY	E.C.O.
*	ORIGINAL ISSUE	10/13/14	TJE	1615
A	REMOVED SPECIFIC ENDLOCK, ADD INNER ANGLE NOTE	12/13/17	CJR	1663
B	REVISED BOTTOM BAR DETAIL; HOOD SUPPORT UPDATE	02/19/20	MAN	2027

CP0001/CP0651 - 0.0405/0.0220 Minimum Thickness Galvanized or Stainless Steel - 70 PSF, Cont.																					
DBG Up To	Filled CMU												Steel (Wall anchors are the same diameter as assembly fasteners)					Superimposed Loads			
	Hilti Kwik Bolt 3				Simpson Strong-Bolt 2				Through Bolt				Welded		Through Bolt	Tapped		Vx (+)	Vy (+)	Vx (-)	Vy (-)
	Max O.C.	Dia.	Embed	Edge Dist	Max O.C.	Dia.	Embed	Edge Dist	Max. O.C.	Dia.	Edge Distance	Max O.C.	Slot Size	Max O.C.	Max O.C.	Min. Thickness					
5'-5"	8	3/4	3 1/4	5 3/4	10	3/4	5 1/4	5 3/4	10	3/8	5 3/4	36	7/16 x 5/8	36	36	3/16	0	193	0	190	
6'-5"	11	3/4	4 3/8	5 3/4	8	3/4	5 1/4	5 3/4	9	3/8	5 3/4	36	7/16 x 5/8	36	36	3/16	0	228	0	225	
7'-5"	9	3/4	4 3/8	5 3/4	N/A				8	3/8	5 3/4	36	7/16 x 5/8	36	36	3/16	0	263	0	260	
8'-5"	8	3/4	4 3/8	5 3/4	N/A				7	3/8	5 3/4	36	7/16 x 5/8	36	36	3/16	0	298	0	295	
9'-5"	N/A				N/A				6	3/8	5 3/4	36	7/16 x 5/8	36	36	3/16	0	333	0	330	
13'-5"	N/A				N/A				10	1/2	6 13/16	21	9/16 x 3/4	21	11	1/4	1173	472	1128	472	
14'-5"	N/A				N/A				9	1/2	6 13/16	18	9/16 x 3/4	18	10	1/4	1328	507	1291	507	
15'-5"	N/A				N/A				10	5/8	6 7/8	23	11/16 x 7/8	23	13	5/16	1608	541	1574	542	
16'-5"	N/A				N/A				9	5/8	6 7/8	21	11/16 x 7/8	21	11	5/16	1746	576	1717	577	
17'-5"	N/A				N/A				9	5/8	6 7/8	22	11/16 x 7/8	22	12	5/16	1709	610	1686	611	
18'-5"	N/A				N/A				8	5/8	6 7/8	20	11/16 x 7/8	20	11	5/16	1859	644	1839	646	
19'-5"	N/A				N/A				11	3/4	7 1/2	36	13/16 x 1	36	23	3/8	1887	680	1862	680	
20'-5"	N/A				N/A				10	3/4	7 1/2	36	13/16 x 1	36	22	3/8	1925	713	1904	713	
21'-5"	N/A				N/A				9	3/4	7 1/2	36	13/16 x 1	36	20	3/8	2166	748	2145	749	
22'-5"	N/A				N/A				8	3/4	7 1/2	33	13/16 x 1	33	18	3/8	2404	783	2384	784	
23'-5"	N/A				N/A				8	3/4	7 1/2	30	13/16 x 1	30	16	3/8	2640	819	2621	819	
24'-5"	N/A				N/A				7	3/4	7 1/2	28	13/16 x 1	28	15	3/8	2876	854	2857	854	
25'-5"	N/A				N/A				N/A				26	13/16 x 1	26	14	3/8	3112	889	3093	890
26'-5"	N/A				N/A				N/A				24	13/16 x 1	24	13	3/8	3348	925	3329	925



	24 ELMWOOD AVE 1901 S. LITCHFIELD RD MOUNTAINTOP, PA GOODYEAR, AZ		Unless otherwise specified, dimensions are in inches & tolerances are:			
	P: 800.233.8366 F: 800.526.0841 E: ADS@CORNELLIRON.COM		0.000 = +/- 0.031 FRACTIONAL = +/- 1/32 ANGLES = +/- 1/2 DEG			
TITLE: WIND LOAD CONFIGURATION INSULATED ROLLING STEEL DOOR CP0001/CP0651 SLAT IMPACT RATED			DRAWN BY: <b>TJE</b>	SIZE: <b>B</b>	SCALE: AS NOTED	SHEET: <b>23/27</b>
			DWG NO: <b>ES-16-64-CIW</b>			

L'TR	REVISION	DATE	BY	E.C.O.
*	ORIGINAL ISSUE	10/13/14	TJE	1615
A	REMOVED SPECIFIC ENDLOCK, ADD INNER ANGLE NOTE	12/13/17	CJR	1663
B	REVISED BOTTOM BAR DETAIL; HOOD SUPPORT UPDATE	02/19/20	MAN	2027

CP0001/CP0651 - 0.0405/0.0220 Minimum Thickness Galvanized or Stainless Steel - 80 PSF																							
Concrete Minimum 3,000 PSI Compressive Strength (Anchors are the same diameter as assembly fasteners)																							
DBG Up To	Windlock Flat Location	Slip	Windlock	Guide Assembly	Windlock Weld Pitch	Assembly Fastener Diameter	Assembly Fastener Spacing	Hilti Kwik Bolt 3				Simpson Wedge All				Red Head Tru-Bolt				Powers Wedge-Bolt			
								Max O.C.	Embed	Min. Wall Thick.	Edge Dist	Max O.C.	Embed	Min. Wall Thick.	Edge Dist	Max O.C.	Embed	Min. Wall Thick.	Edge Dist	Max O.C.	Embed	Min. Wall Thick.	Edge Dist
5'-5"	1 1/2	0.656	CP0630 & CP0647	344	12	3/8	18	N/A				9	2 5/8	3 15/16	5 3/4	9	3	4 1/2	5 3/4	7	2	3	5 3/4
6'-5"	1 1/2	0.656	CP0630 & CP0647	344	12	3/8	18	N/A				8	2 5/8	3 15/16	5 3/4	8	3	4 1/2	5 3/4	6	2	3	5 3/4
7'-5"	1 1/2	0.656	CP0630 & CP0647	344	12	3/8	18	N/A				7	2 5/8	3 15/16	5 3/4	7	3	4 1/2	5 3/4	5	2	3	5 3/4
8'-5"	1 1/2	0.656	CP0630 & CP0647	344	12	3/8	18	N/A				6	2 5/8	3 15/16	5 3/4	6	3	4 1/2	5 3/4	4	2	3	5 3/4
13'-5"	1 5/16	0.469	CP0630 & CP0647	446	8	5/8	18	N/A				10	4 1/2	6 3/4	6 7/8	N/A				9	5	7 1/2	6 7/8
14'-5"	1 7/16	0.594	CP0630 & CP0647	546	8	5/8	17	N/A				9	4 1/2	6 3/4	6 7/8	N/A				8	5	7 1/2	6 7/8
15'-5"	1 1/2	0.656	CP0630 & CP0647	546	7	5/8	15	N/A				8	4 1/2	6 3/4	6 7/8	N/A				7	5	7 1/2	6 7/8
16'-5"	1 5/8	0.781	CP0630 & CP0647	546	7	5/8	14	N/A				7	4 1/2	6 3/4	6 7/8	N/A				N/A			
17'-5"	1 7/8	1.031	CP0630 & CP0647	548	7	3/4	18	N/A				10	5	7 1/2	7 1/2	11	6 5/8	9 15/16	7 1/2	N/A			
18'-5"	2	1.156	CP0630 & CP0647	548	6	3/4	18	N/A				9	5	7 1/2	7 1/2	10	6 5/8	9 15/16	7 1/2	N/A			
19'-5"	2 1/4	1.406	CP0630 & CP0647	548	6	3/4	17	N/A				9	5	7 1/2	7 1/2	10	6 5/8	9 15/16	7 1/2	N/A			
20'-5"	2 1/2	1.656	CP0630 & CP0647	648	6	3/4	17	N/A				9	5	7 1/2	7 1/2	9	6 5/8	9 15/16	7 1/2	N/A			
21'-5"	2 1/2	1.656	CP0630 & CP0647	648	6	3/4	15	N/A				8	5	7 1/2	7 1/2	7	6 5/8	9 15/16	7 1/2	N/A			
22'-5"	2 1/2	1.656	CP0630 & CP0647	648	6	3/4	14	N/A				7	5	7 1/2	7 1/2	N/A				N/A			
23'-5"	2 1/2	1.656	CP0630 & CP0647	648	5	3/4	13	N/A				N/A				N/A				N/A			
24'-5"	2 1/2	1.656	CP0630 & CP0647	648	5	3/4	12	N/A				N/A				N/A				N/A			

CP0001/CP0651 - 0.0405/0.0220 Minimum Thickness Galvanized or Stainless Steel - 80 PSF, Cont.																					
DBG Up To	Filled CMU											Steel (Wall anchors are the same diameter as assembly fasteners)						Superimposed Loads			
	Hilti Kwik Bolt 3				Simpson Strong-Bolt 2				Through Bolt			Welded		Through Bolt	Tapped		Vx (+)	Vy (+)	Vx (-)	Vy (-)	
	Max O.C.	Dia.	Embed	Edge Dist	Max O.C.	Dia.	Embed	Edge Dist	Max O.C.	Dia.	Edge Distance	Max O.C.	Slot Size	Max O.C.	Max O.C.	Min. Thickness					
5'-5"	11	3/4	4 3/8	5 3/4	8	3/4	5 1/4	5 3/4	9	3/8	5 3/4	36	7/16 x 5/8	36	36	3/16	0	220	0	217	
6'-5"	9	3/4	4 3/8	5 3/4	N/A				8	3/8	5 3/4	36	7/16 x 5/8	36	36	3/16	0	260	0	257	
7'-5"	8	3/4	4 3/8	5 3/4	N/A				7	3/8	5 3/4	36	7/16 x 5/8	36	36	3/16	0	300	0	297	
8'-5"	N/A				N/A				6	3/8	5 3/4	36	7/16 x 5/8	36	36	3/16	0	340	0	337	
13'-5"	N/A				N/A				10	5/8	6 7/8	24	11/16 x 7/8	24	13	5/16	1543	539	1494	540	
14'-5"	N/A				N/A				9	5/8	6 7/8	22	11/16 x 7/8	22	12	5/16	1693	579	1651	580	
15'-5"	N/A				N/A				8	5/8	6 7/8	18	11/16 x 7/8	18	10	5/16	1991	619	1953	620	
16'-5"	N/A				N/A				7	5/8	6 7/8	17	11/16 x 7/8	17	9	5/16	2129	659	2097	660	
17'-5"	N/A				N/A				10	3/4	7 1/2	36	13/16 x 1	36	21	3/8	2086	699	2047	699	
18'-5"	N/A				N/A				9	3/4	7 1/2	36	13/16 x 1	36	19	3/8	2244	738	2209	738	
19'-5"	N/A				N/A				9	3/4	7 1/2	35	13/16 x 1	35	19	3/8	2251	777	2223	777	
20'-5"	N/A				N/A				9	3/4	7 1/2	35	13/16 x 1	35	19	3/8	2285	815	2262	815	
21'-5"	N/A				N/A				8	3/4	7 1/2	31	13/16 x 1	31	17	3/8	2552	855	2530	856	
22'-5"	N/A				N/A				7	3/4	7 1/2	28	13/16 x 1	28	15	3/8	2817	895	2795	896	
23'-5"	N/A				N/A				N/A			26	13/16 x 1	26	14	3/8	3082	936	3060	936	
24'-5"	N/A				N/A				N/A			24	13/16 x 1	24	13	3/8	3346	976	3325	977	



	24 ELMWOOD AVE 1901 S. LITCHFIELD RD MOUNTAINTOP, PA GOODYEAR, AZ		Unless otherwise specified, dimensions are in inches & tolerances are:  0.000 = +/- 0.031 FRACTIONAL = +/- 1/32 ANGLES = +/- 1/2 DEG	
	P: 800.233.8366 F: 800.526.0841 E: ADS@CORNELLIRON.COM		TITLE: WIND LOAD CONFIGURATION INSULATED ROLLING STEEL DOOR CP0001/CP0651 SLAT IMPACT RATED	DRAWN BY: TJE DWG NO: ES-16-64-CIW



L'TR	REVISION	DATE	BY	E.C.O.
*	ORIGINAL ISSUE	10/13/14	TJE	1615
A	REMOVED SPECIFIC ENDLOCK, ADD INNER ANGLE NOTE	12/13/17	CJR	1663
B	REVISED BOTTOM BAR DETAIL; HOOD SUPPORT UPDATE	02/19/20	MAN	2027

CP0001/CP0651 - 0.0405/0.0220 Minimum Thickness Galvanized or Stainless Steel - 90 PSF																							
Concrete Minimum 3,000 PSI Compressive Strength (Anchors are the same diameter as assembly fasteners)																							
DBG Up To	Windlock Flat Location	Slip	Windlock	Guide Assembly	Windlock Weld Pitch	Assembly Fastener Diameter	Assembly Fastener Spacing	Hilti Kwik Bolt 3				Simpson Wedge All				Red Head Tru-Bolt				Powers Wedge-Bolt			
								Max O.C.	Embed	Min. Wall Thick.	Edge Dist	Max O.C.	Embed	Min. Wall Thick.	Edge Dist	Max O.C.	Embed	Min. Wall Thick.	Edge Dist	Max O.C.	Embed	Min. Wall Thick.	Edge Dist
5'-5"	1 1/2	0.656	CP0630 & CP0647	344	12	3/8	18	N/A				8	2 5/8	3 15/16	5 3/4	8	3	4 1/2	5 3/4	6	2	3	5 3/4
6'-5"	1 1/2	0.656	CP0630 & CP0647	344	12	3/8	18	N/A				7	2 5/8	3 15/16	5 3/4	7	3	4 1/2	5 3/4	5	2	3	5 3/4
7'-5"	1 1/2	0.656	CP0630 & CP0647	344	12	3/8	18	N/A				6	2 5/8	3 15/16	5 3/4	6	3	4 1/2	5 3/4	4	2	3	5 3/4
8'-5"	1 1/2	0.656	CP0630 & CP0647	344	12	3/8	18	N/A				5	2 5/8	3 15/16	5 3/4	N/A				5	2 1/2	3 3/4	5 3/4
13'-5"	1 5/16	0.469	CP0630 & CP0647	546	7	5/8	16	N/A				8	4 1/2	6 3/4	6 7/8	N/A				7	5	7 1/2	6 7/8
14'-5"	1 7/16	0.594	CP0630 & CP0647	546	7	5/8	14	N/A				8	4 1/2	6 3/4	6 7/8	N/A				N/A			
15'-5"	1 1/2	0.656	CP0630 & CP0647	548	6	3/4	18	N/A				9	5	7 1/2	7 1/2	10	6 5/8	9 15/16	7 1/2	N/A			
16'-5"	1 5/8	0.781	CP0630 & CP0647	548	6	3/4	17	N/A				8	5	7 1/2	7 1/2	9	6 5/8	9 15/16	7 1/2	N/A			
17'-5"	1 3/4	0.906	CP0630 & CP0647	648	6	3/4	16	N/A				8	5	7 1/2	7 1/2	7	6 5/8	9 15/16	7 1/2	N/A			
18'-5"	1 7/8	1.031	CP0630 & CP0647	648	6	3/4	15	N/A				7	5	7 1/2	7 1/2	5	6 5/8	9 15/16	7 1/2	N/A			
19'-5"	2 1/8	1.281	CP0630 & CP0647	648	6	3/4	15	N/A				7	5	7 1/2	7 1/2	5	6 5/8	9 15/16	7 1/2	N/A			
20'-5"	2 1/4	1.406	CP0630 & CP0647	648	6	3/4	14	N/A				7	5	7 1/2	7 1/2	N/A				N/A			
21'-5"	2 1/2	1.656	CP0630 & CP0647	648	6	3/4	13	N/A				7	5	7 1/2	7 1/2	N/A				N/A			
22'-5"	2 1/2	1.656	CP0630 & CP0647	648	5	3/4	12	N/A				N/A				N/A				N/A			

CP0001/CP0651 - 0.0405/0.0220 Minimum Thickness Galvanized or Stainless Steel - 90 PSF, Cont.																						
DBG Up To	Filled CMU												Steel (Wall anchors are the same diameter as assembly fasteners)						Superimposed Loads			
	Hilti Kwik Bolt 3				Simpson Strong-Bolt 2				Through Bolt				Welded		Through Bolt	Tapped						
	Max O.C.	Dia.	Embed	Edge Dist	Max O.C.	Dia.	Embed	Edge Dist	Max O.C.	Dia.	Edge Distance	Max O.C.	Slot Size	Max O.C.	Max O.C.	Min. Thickness	Vx (+)	Vy (+)	Vx (-)	Vy (-)		
5'-5"	10	3/4	4 3/8	5 3/4	N/A				8	3/8	5 3/4	36	7/16 x 5/8	36	36	3/16	0	248	0	244		
6'-5"	8	3/4	4 3/8	5 3/4	N/A				7	3/8	5 3/4	36	7/16 x 5/8	36	36	3/16	0	293	0	289		
7'-5"	N/A				N/A				6	3/8	5 3/4	36	7/16 x 5/8	36	36	3/16	0	338	0	334		
8'-5"	N/A				N/A				5	3/8	5 3/4	36	7/16 x 5/8	36	36	3/16	0	383	0	379		
13'-5"	N/A				N/A				8	5/8	6 7/8	19	11/16 x 7/8	19	10	5/16	1913	607	1859	608		
14'-5"	N/A				N/A				8	5/8	6 7/8	18	11/16 x 7/8	18	10	5/16	2057	652	2012	653		
15'-5"	N/A				N/A				9	3/4	7 1/2	34	13/16 x 1	34	18	3/8	2392	699	2333	698		
16'-5"	N/A				N/A				8	3/4	7 1/2	32	13/16 x 1	32	17	3/8	2530	743	2478	743		
17'-5"	N/A				N/A				8	3/4	7 1/2	30	13/16 x 1	30	16	3/8	2674	787	2628	788		
18'-5"	N/A				N/A				7	3/4	7 1/2	28	13/16 x 1	28	15	3/8	2820	832	2779	832		
19'-5"	N/A				N/A				7	3/4	7 1/2	29	13/16 x 1	29	15	3/8	2777	875	2743	875		
20'-5"	N/A				N/A				7	3/4	7 1/2	27	13/16 x 1	27	15	3/8	2932	919	2902	920		
21'-5"	N/A				N/A				7	3/4	7 1/2	27	13/16 x 1	27	15	3/8	2938	962	2914	963		
22'-5"	N/A				N/A				N/A				25	13/16 x 1	25	13	3/8	3231	1008	3207	1008	



	24 ELMWOOD AVE 1901 S. LITCHFIELD RD MOUNTAINTOP, PA GOODYEAR, AZ	Unless otherwise specified, dimensions are in inches & tolerances are:  0.000 = +/- 0.031 FRACTIONAL = +/- 1/32 ANGLES = +/- 1/2 DEG
	P: 800.233.8366 F: 800.526.0841 E: ADS@CORNELLIRON.COM	TITLE: WIND LOAD CONFIGURATION INSULATED ROLLING STEEL DOOR CP0001/CP0651 SLAT IMPACT RATED

L'TR	REVISION	DATE	BY	E.C.O.
*	ORIGINAL ISSUE	10/13/14	TJE	1615
A	REMOVED SPECIFIC ENDLOCK, ADD INNER ANGLE NOTE	12/13/17	CJR	1663
B	REVISED BOTTOM BAR DETAIL; HOOD SUPPORT UPDATE	02/19/20	MAN	2027

CP0001/CP0651 - 0.0405/0.0220 Minimum Thickness Galvanized or Stainless Steel - 100 PSF																							
Concrete Minimum 3,000 PSI Compressive Strength (Anchors are the same diameter as assembly fasteners)																							
DBG Up To	Windlock Flat Location	Slip	Windlock	Guide Assembly	Windlock Weld Pitch	Assembly Fastener Diameter	Assembly Fastener Spacing	Hilti Kwik Bolt 3				Simpson Wedge All				Red Head Tru-Bolt				Powers Wedge-Bolt			
								Max O.C.	Embed	Min. Wall Thick.	Edge Dist	Max O.C.	Embed	Min. Wall Thick.	Edge Dist	Max O.C.	Embed	Min. Wall Thick.	Edge Dist	Max O.C.	Embed	Min. Wall Thick.	Edge Dist
5'-5"	1 1/2	0.656	CP0630 & CP0647	344	12	3/8	18	N/A				7	2 5/8	3 15/16	5 3/4	7	3	4 1/2	5 3/4	6	2	3	5 3/4
6'-5"	1 1/2	0.656	CP0630 & CP0647	344	12	3/8	18	N/A				6	2 5/8	3 15/16	5 3/4	6	3	4 1/2	5 3/4	5	2	3	5 3/4
7'-5"	1 1/2	0.656	CP0630 & CP0647	344	12	3/8	18	N/A				5	2 5/8	3 15/16	5 3/4	N/A				6	2 1/2	3 3/4	5 3/4
14'-5"	1 1/2	0.656	CP0630 & CP0647	DC2	6	3/4	15	11	4 3/4	7 1/8	7 1/2	11	5	7 1/2	7 1/2	N/A				N/A			
15'-5"	1 7/16	0.594	CP0630 & CP0647	648	6	3/4	15	N/A				7	5	7 1/2	7 1/2	5	6 5/8	9 15/16	7 1/2	N/A			
16'-5"	1 1/2	0.656	CP0630 & CP0647	648	5	3/4	14	N/A				7	5	7 1/2	7 1/2	N/A				N/A			
17'-5"	1 5/8	0.781	CP0630 & CP0647	648	5	3/4	13	N/A				N/A				N/A				N/A			
18'-5"	1 3/4	0.906	CP0630 & CP0647	648	5	3/4	13	N/A				N/A				N/A				N/A			
19'-5"	1 7/8	1.031	CP0630 & CP0647	648	5	3/4	12	N/A				N/A				N/A				N/A			
20'-5"	2 1/8	1.281	CP0630 & CP0647	648	5	3/4	12	N/A				N/A				N/A				N/A			

CP0001/CP0651 - 0.0405/0.0220 Minimum Thickness Galvanized or Stainless Steel - 100 PSF, Cont.																					
DBG Up To	Filled CMU												Steel (Wall anchors are the same diameter as assembly fasteners)				Superimposed Loads				
	Hilti Kwik Bolt 3				Simpson Strong-Bolt 2				Through Bolt				Welded		Through Bolt	Tapped		Vx (+)	Vy (+)	Vx (-)	Vy (-)
	Max O.C.	Dia.	Embed	Edge Dist	Max O.C.	Dia.	Embed	Edge Dist	Max O.C.	Dia.	Edge Distance	Max O.C.	Slot Size	Max O.C.	Min. Thickness						
5'-5"	9	3/4	4 3/8	5 3/4	N/A				7	3/8	5 3/4	36	7/16 x 5/8	36	36	3/16	0	275	0	271	
6'-5"	N/A				N/A				6	3/8	5 3/4	36	7/16 x 5/8	36	36	3/16	0	325	0	321	
7'-5"	N/A				N/A				5	3/8	5 3/4	36	7/16 x 5/8	36	36	3/16	0	375	0	371	
14'-5"	N/A				N/A				8	3/4	7 1/2	15	13/16 x 1	15	15	3/8	2261	725	2195	725	
15'-5"	N/A				N/A				7	3/4	7 1/2	27	13/16 x 1	27	15	3/8	2976	778	2909	778	
16'-5"	N/A				N/A				7	3/4	7 1/2	25	13/16 x 1	25	13	3/8	3274	828	3211	828	
17'-5"	N/A				N/A				N/A				24	13/16 x 1	24	13	3/8	3371	877	3316	877
18'-5"	N/A				N/A				N/A				23	13/16 x 1	23	12	3/8	3486	926	3437	926
19'-5"	N/A				N/A				N/A				22	13/16 x 1	22	12	3/8	3611	975	3568	976
20'-5"	N/A				N/A				N/A				23	13/16 x 1	23	12	3/8	3518	1023	3482	1024



	24 ELMWOOD AVE 1901 S. LITCHFIELD RD MOUNTAINTOP, PA GOODYEAR, AZ	Unless otherwise specified, dimensions are in inches & tolerances are:  0.000 = +/- 0.031 FRACTIONAL = +/- 1/32 ANGLES = +/- 1/2 DEG
	P: 800.233.8366 F: 800.526.0841 E: ADS@CORNELLIRON.COM	TITLE: WIND LOAD CONFIGURATION INSULATED ROLLING STEEL DOOR CP0001/CP0651 SLAT IMPACT RATED

L'TR	REVISION	DATE	BY	E.C.O.
*	ORIGINAL ISSUE	10/13/14	TJE	1615
A	REMOVED SPECIFIC ENDLOCK, ADD INNER ANGLE NOTE	12/13/17	CJR	1663
B	REVISED BOTTOM BAR DETAIL; HOOD SUPPORT UPDATE	02/19/20	MAN	2027

CP0001/CP0651 - 0.0405/0.0220 Minimum Thickness Galvanized or Stainless Steel - 120 PSF																							
Concrete Minimum 3,000 PSI Compressive Strength (Anchors are the same diameter as assembly fasteners)																							
DBG Up To	Windlock Flat Location	Slip	Windlock	Guide Assembly	Windlock Weld Pitch	Assembly Fastener Diameter	Assembly Fastener Spacing	Hilti Kwik Bolt 3				Simpson Wedge All				Red Head Tru-Bolt				Powers Wedge-Bolt			
								Max O.C.	Embed	Min. Wall Thick.	Edge Dist	Max O.C.	Embed	Min. Wall Thick.	Edge Dist	Max O.C.	Embed	Min. Wall Thick.	Edge Dist	Max O.C.	Embed	Min. Wall Thick.	Edge Dist
5'-5"	1 1/2	0.656	CP0630 & CP0647	344	12	3/8	18	N/A				6	2 5/8	3 15/16	5 3/4	6	3	4 1/2	5 3/4	5	2	3	5 3/4
6'-5"	1 1/2	0.656	CP0630 & CP0647	344	12	3/8	18	N/A				5	2 5/8	3 15/16	5 3/4	N/A				5	2 1/2	3 3/4	5 3/4
7'-5"	1 1/2	0.656	CP0630 & CP0647	344	12	3/8	18	N/A				4	2 5/8	3 15/16	5 3/4	N/A				5	2 1/2	3 3/4	5 3/4
14'-5"	1 1/2	0.656	CP0630 & CP0647	DC2	6	3/4	15	11	4 3/4	7 1/8	7 1/2	11	5	7 1/2	7 1/2	N/A				N/A			

CP0001/CP0651 - 0.0405/0.0220 Minimum Thickness Galvanized or Stainless Steel - 120 PSF																						
DBG Up To	Filled CMU												Steel (Wall anchors are the same diameter as assembly fasteners)						Superimposed Loads			
	Hilti Kwik Bolt 3				Simpson Strong-Bolt 2				Through Bolt				Welded		Through Bolt	Tapped		Vx (+)	Vy (+)	Vx (-)	Vy (-)	
	Max O.C.	Dia.	Embed	Edge Dist	Max O.C.	Dia.	Embed	Edge Dist	Max O.C.	Dia.	Edge Distance	Max O.C.	Slot Size	Max O.C.	Max O.C.	Min. Thickness						
5'-5"	N/A				N/A				6	3/8	5 3/4	36	7/16 x 5/8	36	36	3/16	0	330	0	325		
6'-5"	N/A				N/A				5	3/8	5 3/4	36	7/16 x 5/8	36	36	3/16	0	390	0	385		
7'-5"	N/A				N/A				4	3/8	5 3/4	36	7/16 x 5/8	36	36	3/16	0	450	0	445		
14'-5"	N/A				N/A				8	3/4	7 1/2	15	13/16 x 1	15	15	3/8	2956	871	2881	871		



	24 ELMWOOD AVE 1901 S. LITCHFIELD RD MOUNTAINTOP, PA GOODYEAR, AZ	Unless otherwise specified, dimensions are in inches & tolerances are:  0.000 = +/- 0.031 FRACTIONAL = +/- 1/32 ANGLES = +/- 1/2 DEG
	P: 800.233.8366 F: 800.526.0841 E: ADS@CORNELLIRON.COM	TITLE: WIND LOAD CONFIGURATION INSULATED ROLLING STEEL DOOR CP0001/CP0651 SLAT IMPACT RATED