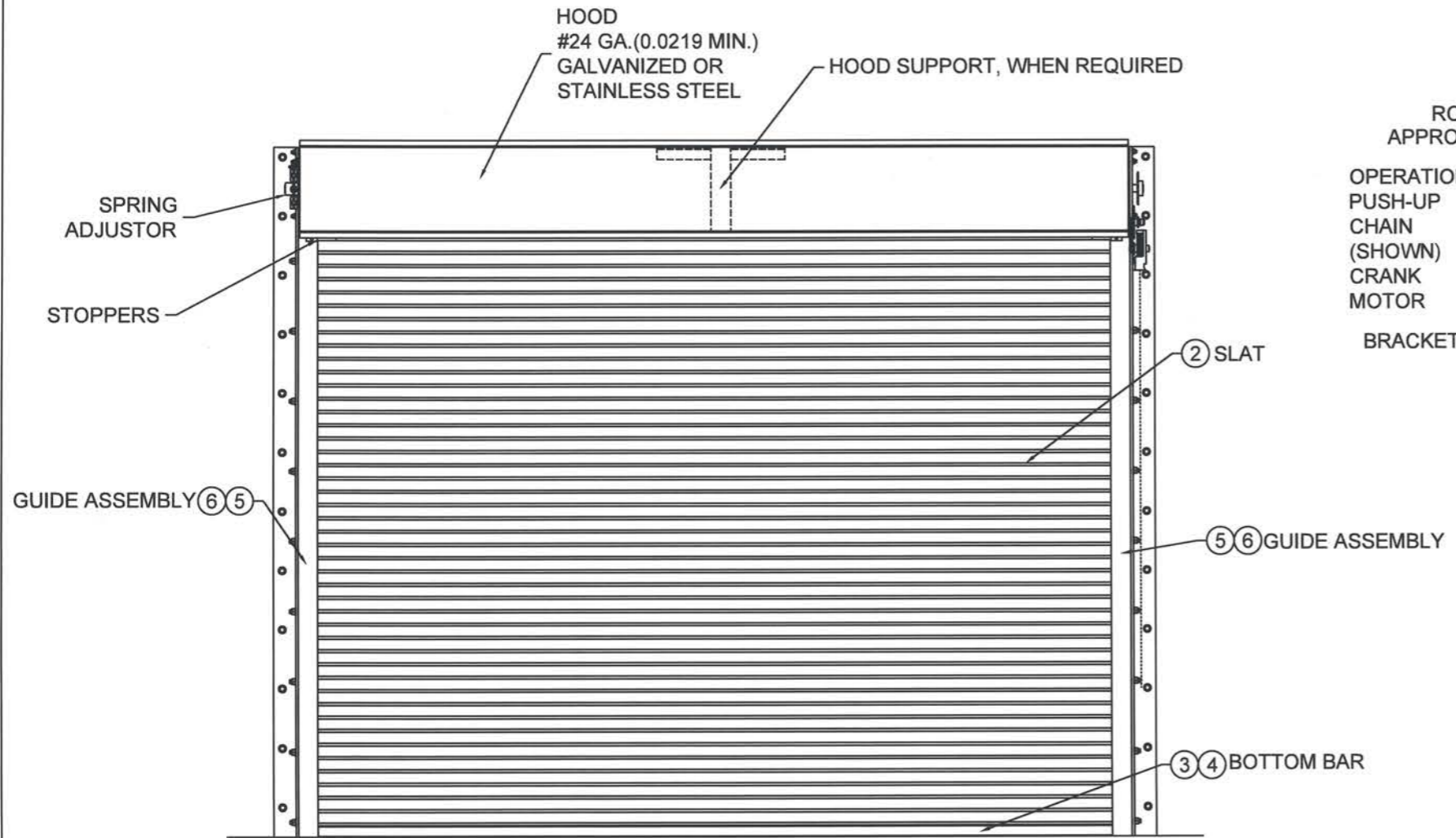
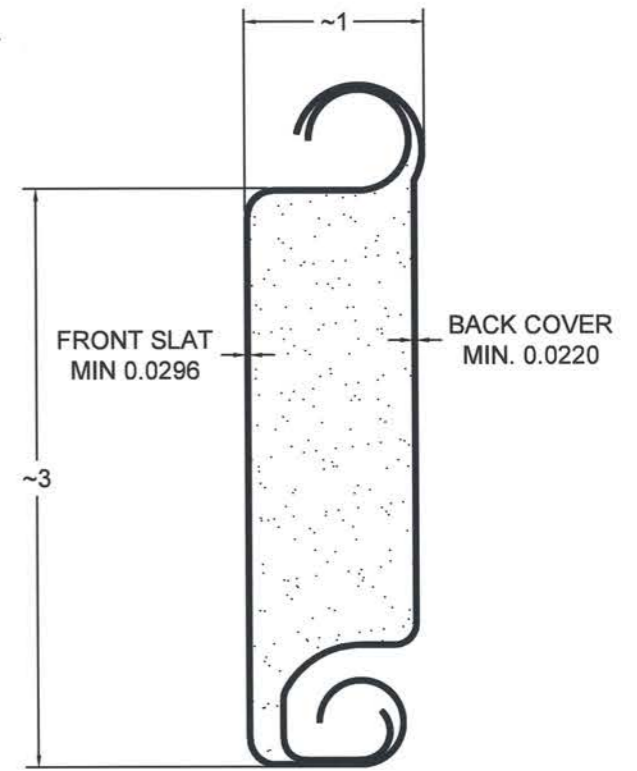
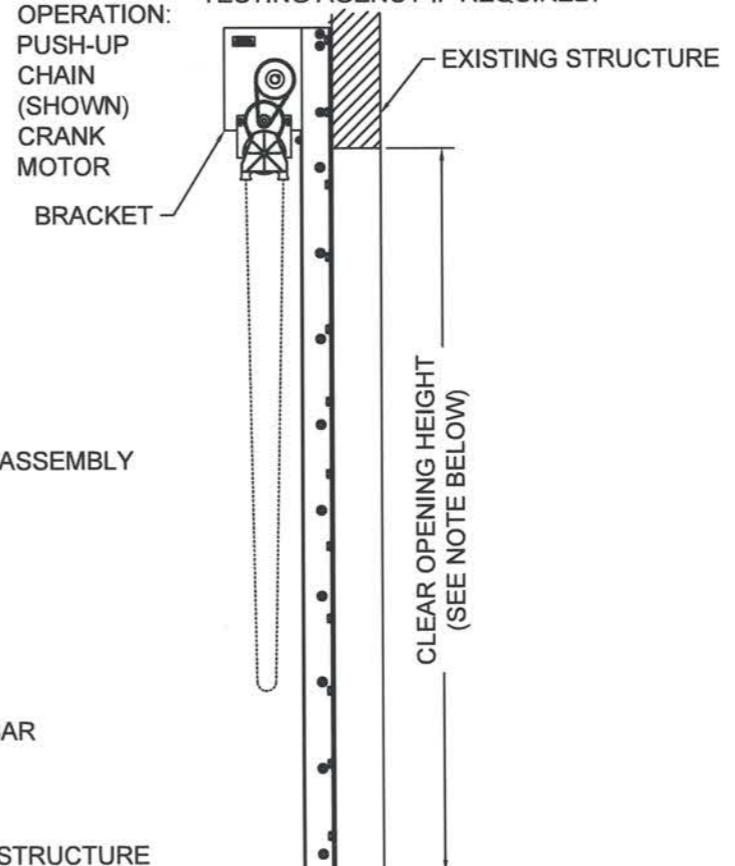


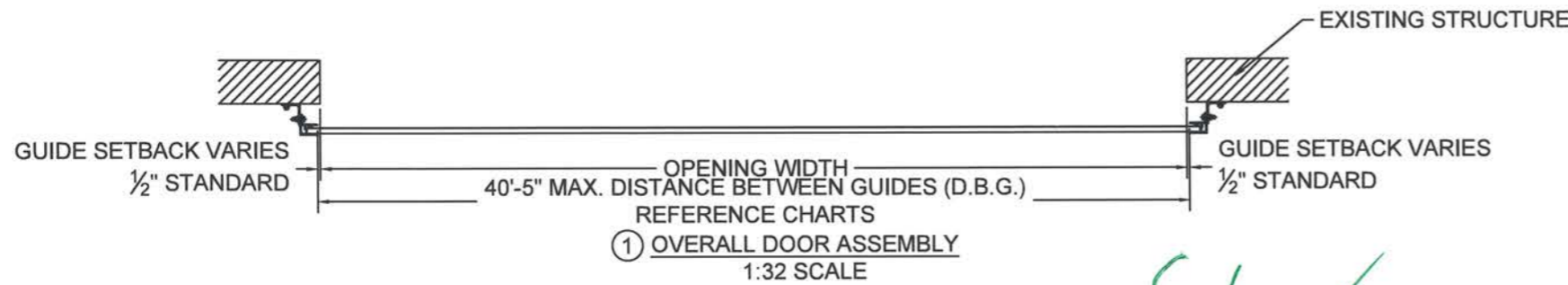
L'TR	REVISION	DATE	BY	E.C.O.
*	ORIGINAL ISSUE	10/10/14	TJE	1615
A	REMOVED SPECIFIC ENDLOCK, ADD INNER ANGLE NOTE	12/11/17	CJR	1663
B	REVISED BOTTOM BAR DETAIL; HOOD SUPPORT UPDATE	02/19/20	MAN	2027



ROLL-UP MECHANISM NOT INCLUDED IN THIS APPROVAL. MUST BE CERTIFIED BY AN INDEPENDENT TESTING AGENCY IF REQUIRED.



② SLAT DETAIL  
TYPICAL SECTION  
ASTM A653 HSLAS TYPE B GRADE 40 G40 OR  
ASTM A653 HSLAS TYPE A GRADE 40 G40 OR  
ASTM A653 STRUCTURAL STEEL GRADE 40 G40  
OR TYPE 304 STAINLESS STEEL (MIN. YIELD 40,000 psi)  
OR TYPE 316 STAINLESS STEEL (MIN. YIELD 40,000 psi)  
OR TYPE 430 STAINLESS STEEL (MIN. YIELD 40,000 psi)  
OR TYPE 201 STAINLESS STEEL (MIN. YIELD 40,000 psi)  
FULL SCALE

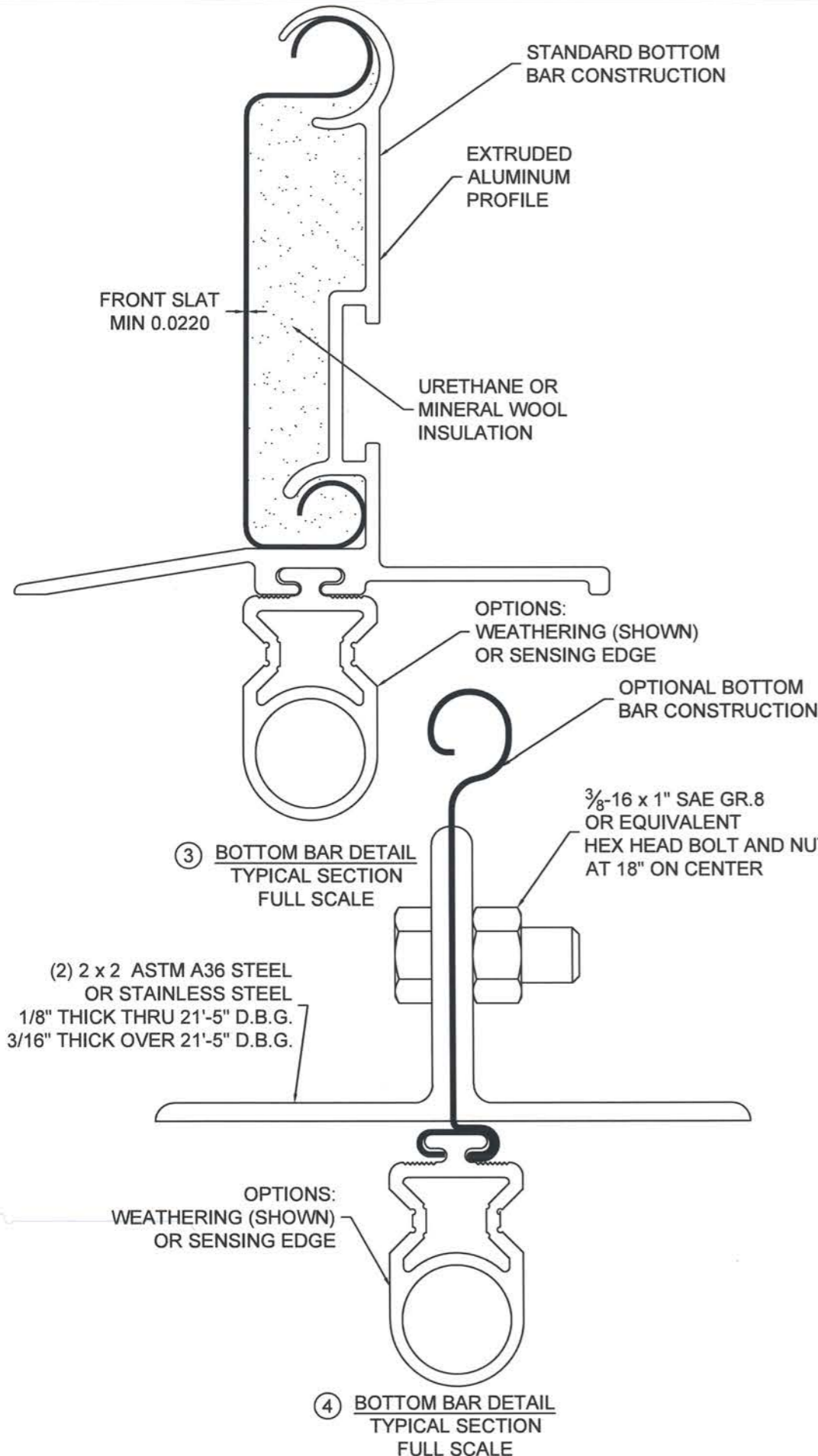


NOTE: WIND LOADS SPECIFIED IN TABLES ARE ACCEPTABLE FOR ANY C.O.H.. FOR GREATER THAN 30 FT, C.O.H., MOUNTING CONDITIONS SHALL BE DETERMINED ON A SITE SPECIFIC BASIS.



	24 ELMWOOD AVE 1901 S. LITCHFIELD RD MOUNTAINTOP, PA GOODYEAR, AZ	Unless otherwise specified, dimensions are in inches & tolerances are:  0.000 = +/- 0.031 FRACTIONAL = +/- 1/32 ANGLES = +/- 1/2 DEG
	P: 800.233.8366 F: 800.526.0841 E: ADS@CORNELLIRON.COM	TITLE: WIND LOAD CONFIGURATION INSULATED ROLLING STEEL DOOR CP0001/CP0651 SLAT IMPACT RATED

L'TR	REVISION	DATE	BY	E.C.O.
*	ORIGINAL ISSUE	10/10/14	TJE	1615
A	REMOVED SPECIFIC ENDLOCK, ADD INNER ANGLE NOTE	12/11/17	CJR	1663
B	REVISED BOTTOM BAR DETAIL; HOOD SUPPORT UPDATE	02/19/20	MAN	2027



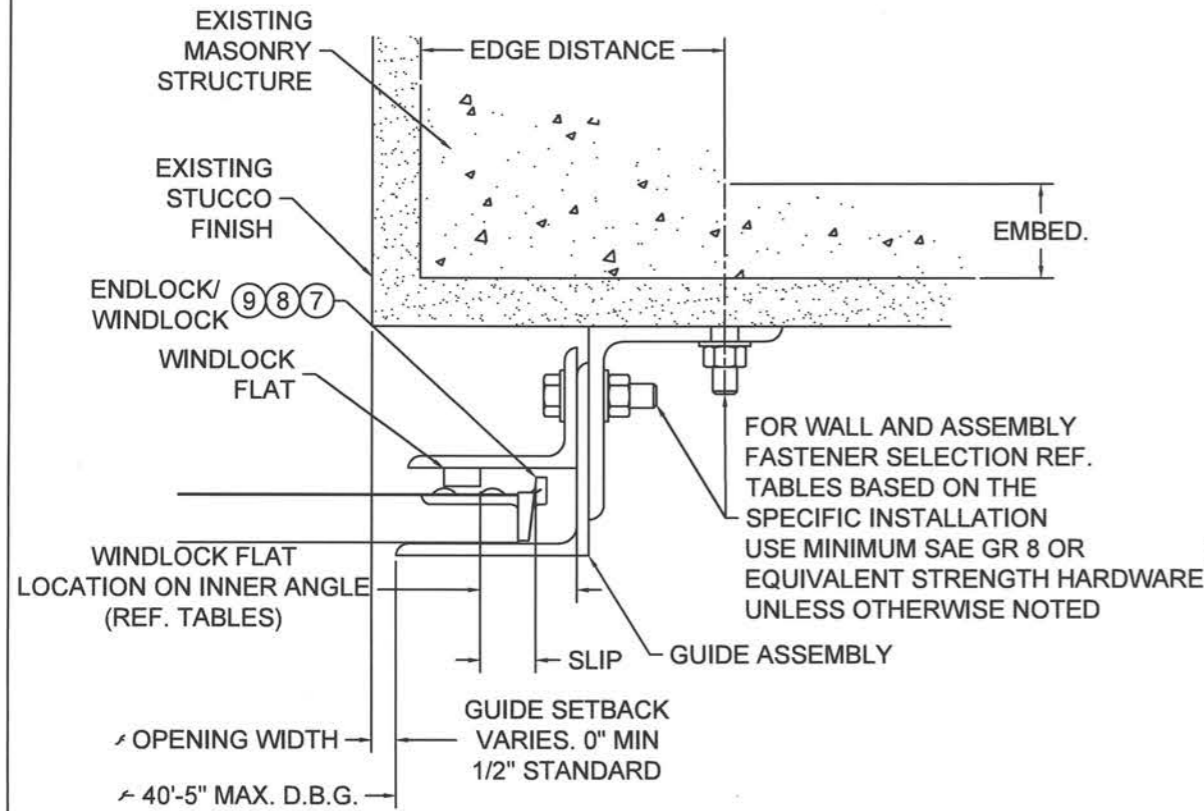
**GENERAL NOTES:**

1. THESE PRODUCT EVALUATION DOCUMENTS REPRESENT A ROLL-UP DOOR ASSEMBLY DESIGNED AND TESTED IN ACCORDANCE WITH THE STANDARD BUILDING CODE, THE INTERNATIONAL BUILDING CODE, AND THE FLORIDA BUILDING CODE.
2. THIS ROLL-UP DOOR HAS BEEN TESTED FOR UNIFORM STATIC PRESSURE, IMPACT AND FATIGUE RESISTANCE IN ACCORDANCE WITH THE FBC TEST PROTOCOLS FOR HIGH VELOCITY HURRICANE ZONES TAS 201, TAS 202, AND TAS 203.
3. A 33% INCREASE IN ALLOWABLE STRESS HAS NOT BEEN USED IN THE DESIGN OF THIS PRODUCT.
4. DETERMINE THE POSITIVE AND NEGATIVE DESIGN LOADS TO USE WHEN REFERENCING THESE DOCUMENTS IN ACCORDANCE WITH THE GOVERNING CODE AND GOVERNING WIND VELOCITY.
5. THESE PRODUCT EVALUATION DOCUMENTS ARE PREPARED BY THE PRODUCT ENGINEER AND ARE GENERIC. THEY DO NOT INCLUDE INFORMATION PREPARED FOR A SPECIFIC SITE.
6. THESE PRODUCT EVALUATION DOCUMENTS ARE NOT VALID FOR PERMIT WITHOUT ORIGINAL SIGNATURE, DATE AND EMBOSSED SEAL ON EACH PERMIT COPY, WHETHER OR NOT A MASTER APPROVAL DOCUMENT IS ON FILE WITH A MUNICIPALITY OR OTHER GOVERNING AGENCY.
7. THESE PRODUCT EVALUATION DOCUMENTS ARE SUITABLE TO BE APPLIED BY THE CONTRACTOR PROVIDED THE CONTRACTOR DOES NOT DEVIATE FROM THE CONDITIONS DETAILED HEREIN AND THE CONTRACTOR VERIFIES THE EXISTING STRUCTURE IS CAPABLE OF SUPPORTING THE SUPERIMPOSED LOADS  $V_x$  &  $V_y$  ON THE JAMBS OF THE DOOR.
8. ALTERATIONS OR ADDITIONS TO THIS DOCUMENT ARE NOT PERMITTED.
9. WHEN THE SITE CONDITIONS DEVIATE FROM THESE PRODUCT EVALUATION DOCUMENTS, SITE SPECIFIC DOCUMENTS SHALL BE PREPARED BY A DULY LICENSED AND REGISTERED ENGINEER OR ARCHITECT.
10. IF THE DEVIATING SITE SPECIFIC DOCUMENTS ARE PREPARED BY A DELEGATED REGISTERED ENGINEER OR ARCHITECT, SAID DOCUMENTS SHALL BEAR THE DATE, SIGNATURE, AND EMBOSSED SEAL OF THE DELEGATED ENGINEER OR ARCHITECT AND SHALL BE SUBMITTED TO THE PROJECT ENGINEER FOR REVIEW.
11. ALL BOLTS AND WASHERS SHALL BE GALVANIZED STEEL, PLATED STEEL, OR STAINLESS STEEL
12. ALL WINDLOCK RIVETS SHALL BE 1/4" STEEL RIVETS IFI GRADE 30 WITH A MINIMUM TENSILE STRENGTH OF 1,850 Lbs., AND SHEAR STRENGTH OF 2,400 Lbs., U.O.N.. RIVETS TO BE INSTALLED IN ALL WINDLOCK HOLES.
13. ENDLOCKS/WINDLOCKS SHALL BE CAST MALLEABLE IRON TYPE 32510 PER ASTM A47 OR CAST DUCTILE IRON PER ASTM A536 GRADE 65-45-12.
14. ALL WELDING SHALL BE PERFORMED BY QUALIFIED WELDERS IN ACCORDANCE WITH A.W.S. SPECIFICATIONS, LATEST EDITION. ALL WELDING ELECTRODES SHALL CONFORM TO A.W.S. A5.1 GRADE E-70. MINIMUM WELDING PROCESSES SHALL BE ARC WELDING A.W.S. E7014 OR MIG WELDING A.W.S. ER70S-6.
15. ANCHOR NOTES:  
 A. EMBEDMENT LENGTH DOES NOT INCLUDE STUCCO FINISH.  
 B. ANCHORS SHALL BE INSTALLED IN ACCORDANCE WITH MANUFACTURERS SPECIFICATIONS.  
 C. ANCHOR CAPACITY FOR THIS ROLL-UP DOOR IS BASED ON MIN. 3,000 P.S.I. CONCRETE EXCEPT WHERE NOTED..  
 D. FOR MINIMUM EMBEDMENT AND MINIMUM EDGE DISTANCE, REFER TO TABLES.
16. DOOR MAY BE INSTALLED ON THE INSIDE OR OUTSIDE OF AN EXTERIOR WALL
17. ALL SHAPES USED FOR GUIDE ASSEMBLIES MUST CONFORM TO ASTM A36 FOR STEEL OR ASTM A276 FOR TYPES 304 OR 316 WITH A MINIMUM 36 KSI YIELD STRENGTH
18. ALL INNER ANGLE THICKNESSES IN THIS EVALUATION ARE LISTED AS MINIMUM VALUES. THICKER ANGLES MAY BE SUPPLIED FOR THE INNER ANGLE IF REQUIRED BY OTHER LISTING AGENCIES.



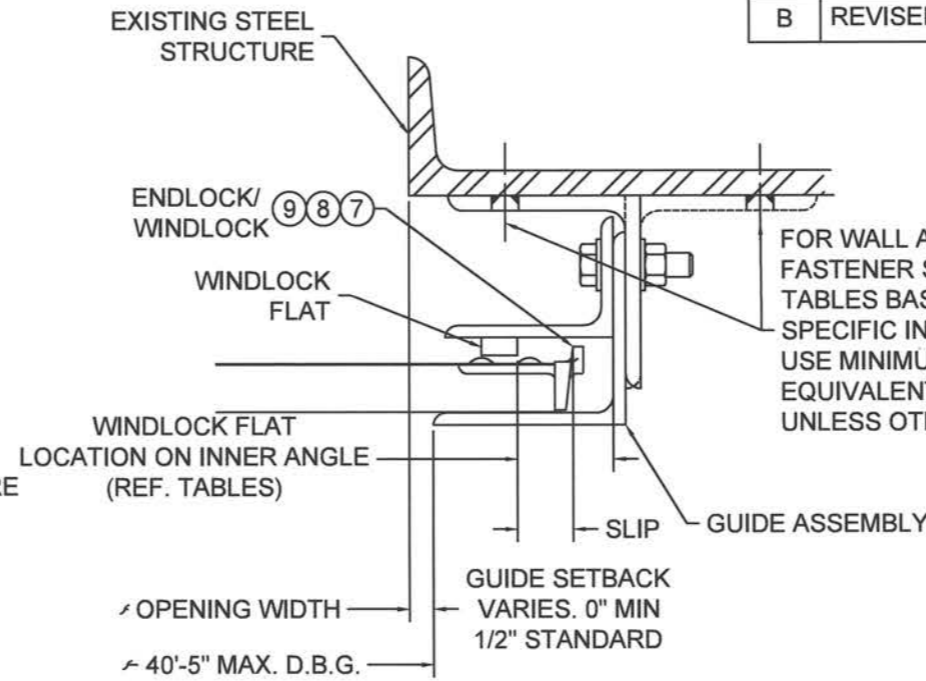
	24 ELMWOOD AVE 1901 S. LITCHFIELD RD MOUNTAINTOP, PA GOODYEAR, AZ	Unless otherwise specified, dimensions are in inches & tolerances are:  0.000 = +/- 0.031 FRACTIONAL = +/- 1/32 ANGLES = +/- 1/2 DEG			
	P: 800.233.8366 F: 800.526.0841 E: ADS@CORNELLIRON.COM				
TITLE: WIND LOAD CONFIGURATION INSULATED ROLLING STEEL DOOR CP0001/CP0651 SLAT IMPACT RATED		DRAWN BY: TJE	SIZE: B	SCALE: AS NOTED	SHEET: 2/40
		DWG NO: ES-16-63-CIW			

L'TR	REVISION	DATE	BY	E.C.O.
*	ORIGINAL ISSUE	10/10/14	TJE	1615
A	REMOVED SPECIFIC ENDLOCK, ADD INNER ANGLE NOTE	12/11/17	CJR	1663
B	REVISED BOTTOM BAR DETAIL; HOOD SUPPORT UPDATE	02/19/20	MAN	2027

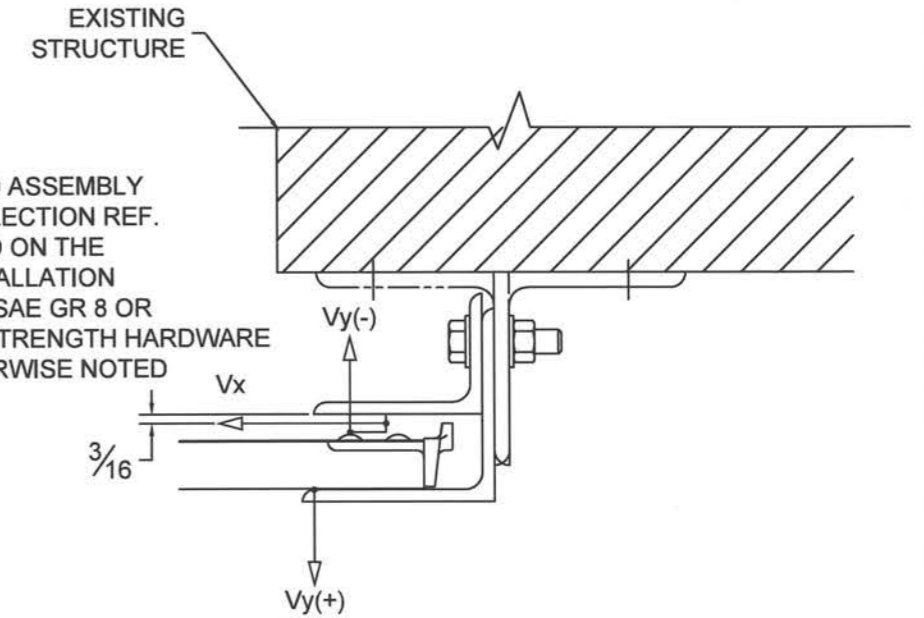


NOTE:  
THROUGH BOLTING TO FILLED BLOCK REQUIRES THE USE  
OF 1/4" THICK STEEL OR STAINLESS STEEL CRUSH PLATE

⑤ GUIDE ASSEMBLY  
CONCRETE & MASONRY STRUCTURE  
(Z-GUIDE)



⑥ GUIDE ASSEMBLY  
STEEL STRUCTURE  
(Z-GUIDE OR E-GUIDE)



NOTE:

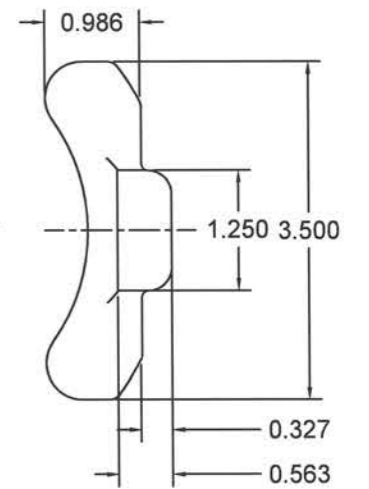
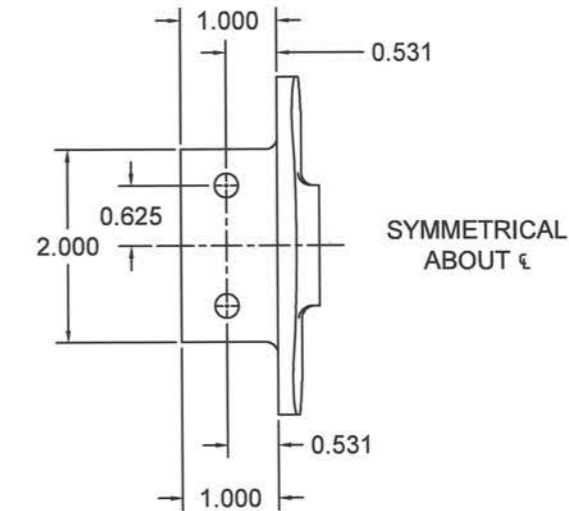
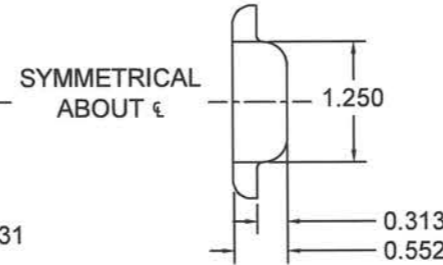
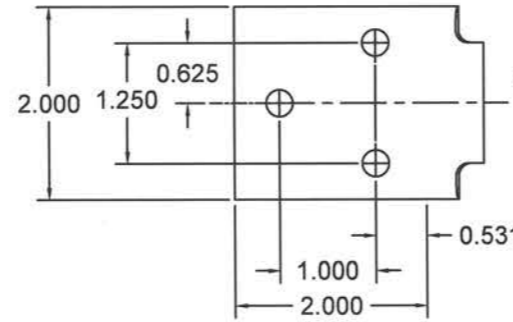
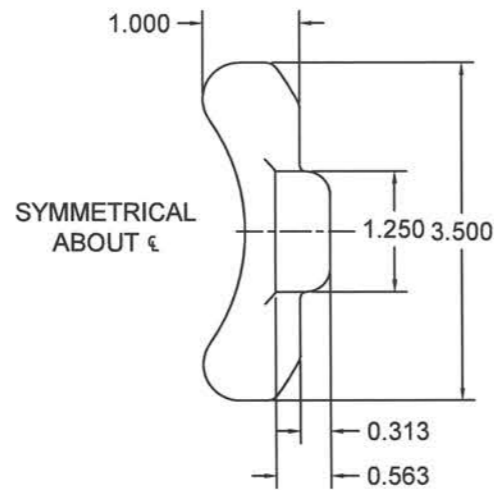
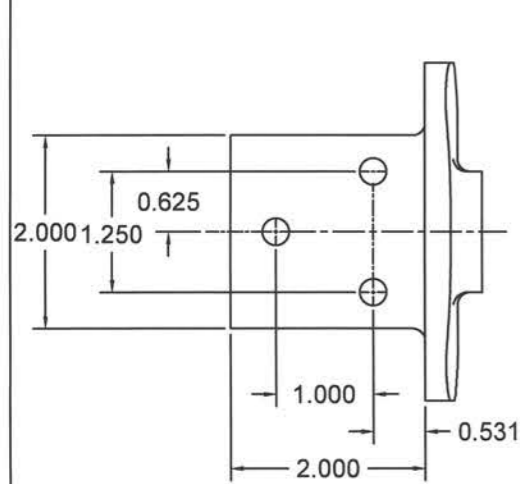
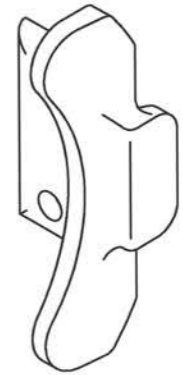
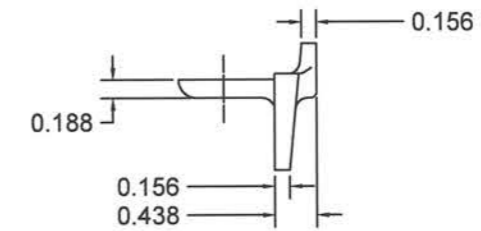
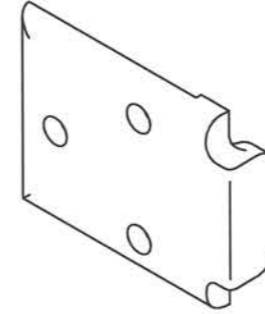
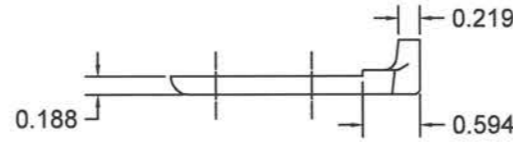
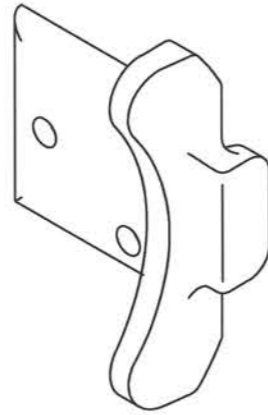
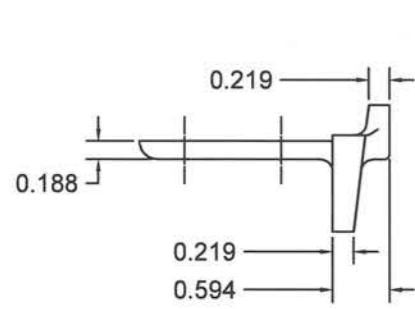
1.  $V_x$  &  $V_y$  ARE HORIZ. AND VERT. COMPONENTS OF THE REACTION, RESPECTIVELY, RESULTING FROM WIND LOADS ON THE ROLL-UP DOOR. THE EXISTING STRUCTURE SHALL BE CAPABLE OF RESISTING  $V_x$  &  $V_y$  FORCES SHOWN AND THE CORRESPONDING REACTIONS DUE TO THE ECCENTRICITIES OF THE FORCES.

⑦ SUPERIMPOSED LOAD DIAGRAM  
SCALE: 3" = 1'-0"



	24 ELMWOOD AVE 1901 S. LITCHFIELD RD MOUNTAINTOP, PA GOODYEAR, AZ	Unless otherwise specified, dimensions are in inches & tolerances are:  0.000 = +/- 0.031 FRACTIONAL = +/- 1/32 ANGLES = +/- 1/2 DEG	
	P: 800.233.8366 F: 800.526.0841 E: ADS@CORNELLIRON.COM	TITLE: WIND LOAD CONFIGURATION INSULATED ROLLING STEEL DOOR CP0001/CP0651 SLAT IMPACT RATED	DRAWN BY: <b>TJE</b>
		DWG NO: <b>ES-16-63-CIW</b>	

L'TR	REVISION	DATE	BY	E.C.O.
*	ORIGINAL ISSUE	10/10/14	TJE	1615
A	REMOVED SPECIFIC ENDLOCK, ADD INNER ANGLE NOTE	12/11/17	CJR	1663
B	REVISED BOTTOM BAR DETAIL; HOOD SUPPORT UPDATE	02/19/20	MAN	2027



⑦ CP0630 ENDLOCK / WINDLOCK DETAIL  
 CAST MALLEABLE IRON ASTM A47, GRADE 32510, OR  
 DUCTILE IRON PER ASTM A536 GRADE 65-45-12, GALVANIZED IN ACCORDANCE WITH  
 ASTM A123, GRADE 85 ZINC-COATING  
 1/2 SCALE

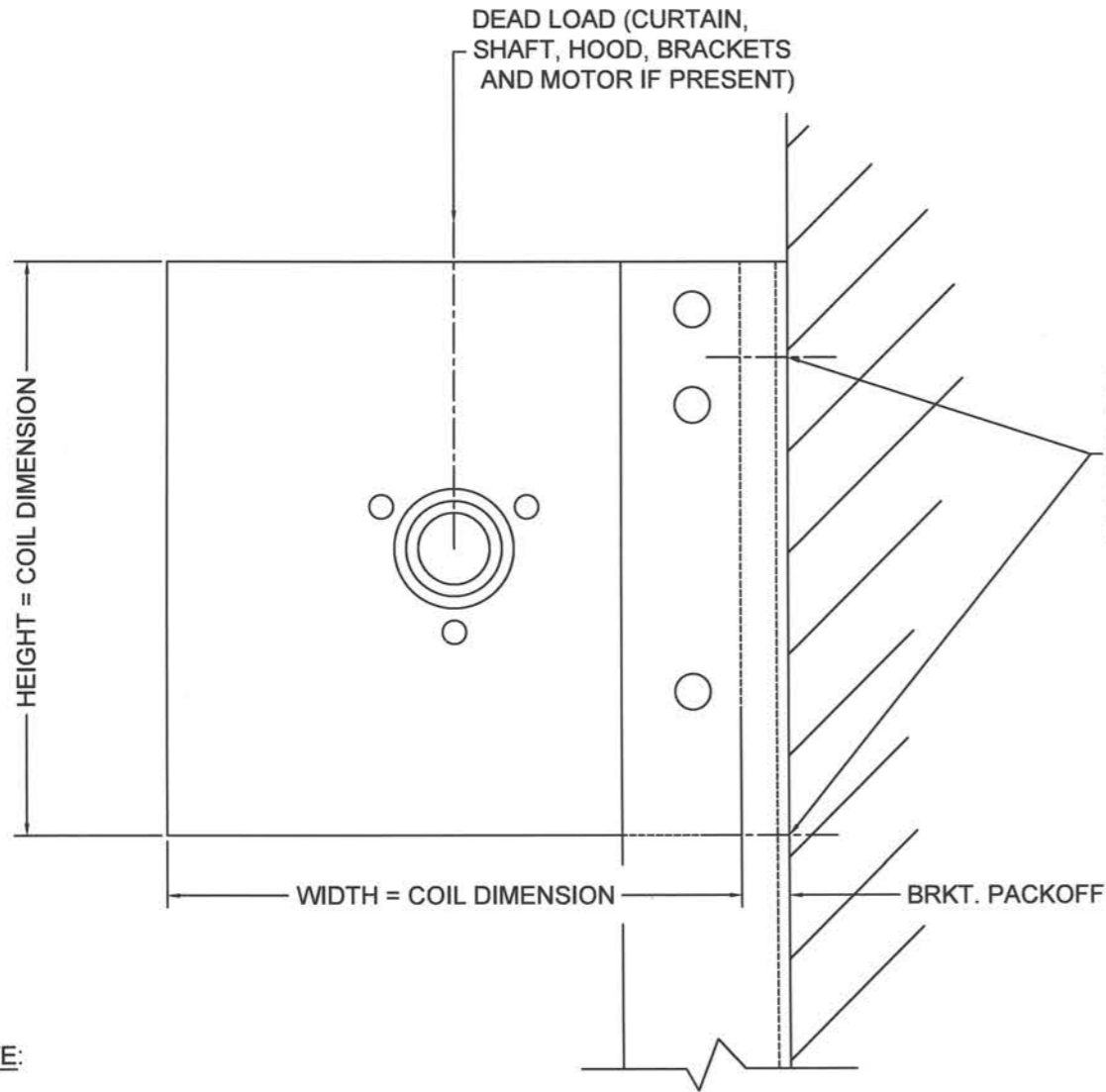
⑧ CP0647 WINDLOCK DETAIL  
 CAST MALLEABLE IRON ASTM A47, GRADE 32510, OR  
 DUCTILE IRON PER ASTM A536 GRADE 65-45-12, GALVANIZED IN  
 ACCORDANCE WITH ASTM A123, GRADE 85 ZINC-COATING  
 1/2 SCALE

⑨ CP0629 ENDLOCK / WINDLOCK DETAIL  
 CAST MALLEABLE IRON ASTM A47, GRADE 32510, OR  
 DUCTILE IRON PER ASTM A536 GRADE 65-45-12, GALVANIZED IN ACCORDANCE WITH  
 ASTM A123, GRADE 85 ZINC-COATING  
 1/2 SCALE

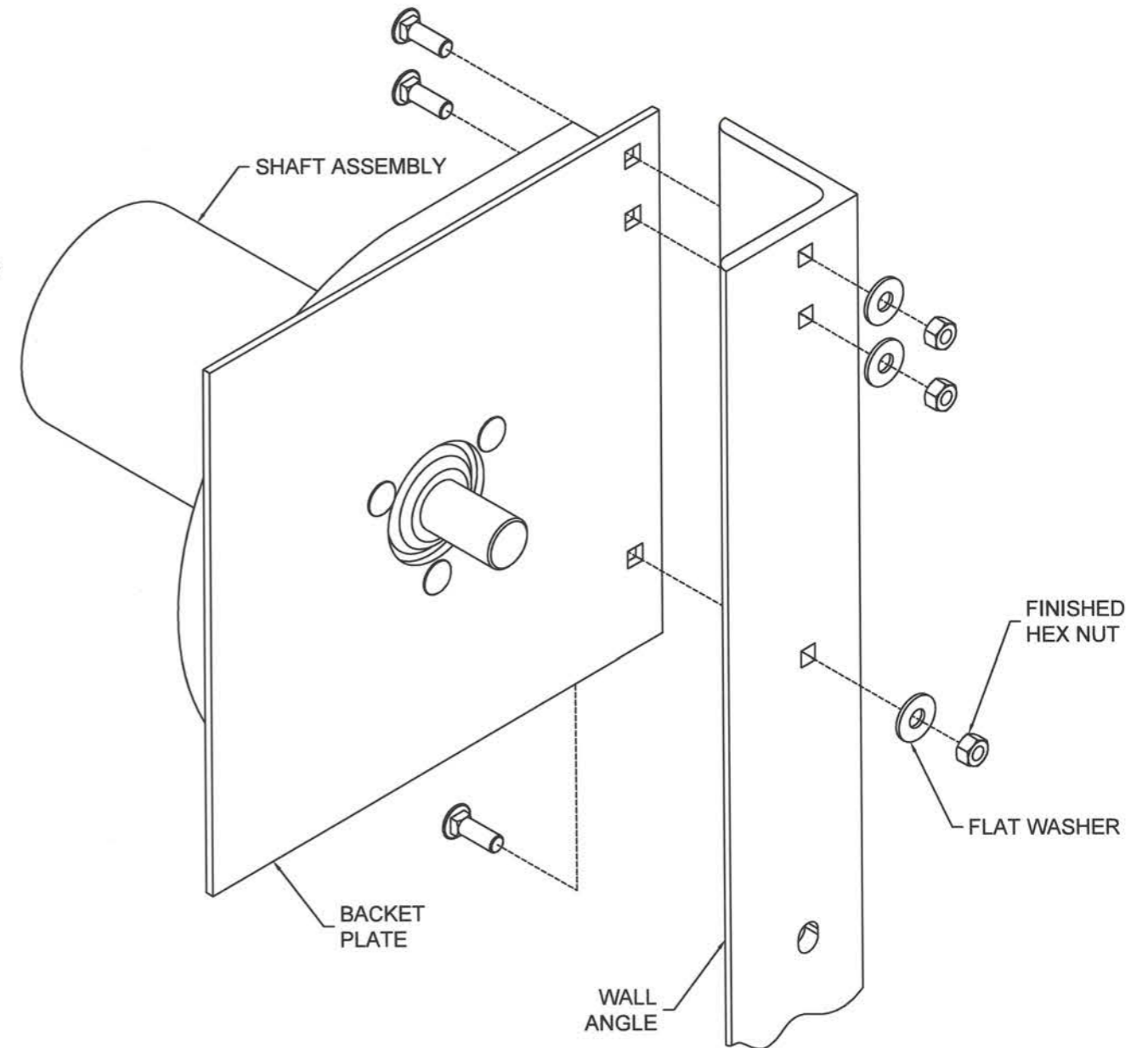


	24 ELMWOOD AVE 1901 S. LITCHFIELD RD MOUNTAINTOP, PA GOODYEAR, AZ		Unless otherwise specified, dimensions are in inches & tolerances are:  0.000 = +/- 0.031 FRACTIONAL = +/- 1/32 ANGLES = +/- 1/2 DEG
	P: 800.233.8366 F: 800.526.0841 E: ADS@CORNELLIRON.COM		
TITLE: WIND LOAD CONFIGURATION INSULATED ROLLING STEEL DOOR CP0001/CP0651 SLAT IMPACT RATED			DRAWN BY: <b>TJE</b>
			SIZE: <b>B</b> SCALE: <b>AS NOTED</b> SHEET: <b>4/40</b>
			DWG NO: <b>ES-16-63-CIW</b>

L'TR	REVISION	DATE	BY	E.C.O.
*	ORIGINAL ISSUE	10/10/14	TJE	1615
A	REMOVED SPECIFIC ENDLOCK, ADD INNER ANGLE NOTE	12/11/17	CJR	1663
B	REVISED BOTTOM BAR DETAIL; HOOD SUPPORT UPDATE	02/19/20	MAN	2027



FOR "WALL ANGLE" TO WALL CONNECTION, REF. TABLE BASED ON THE SPECIFIC INSTALLATION. USE AT LEAST ONE FASTENER OR WELD AT THE INDICATED LOCATIONS.

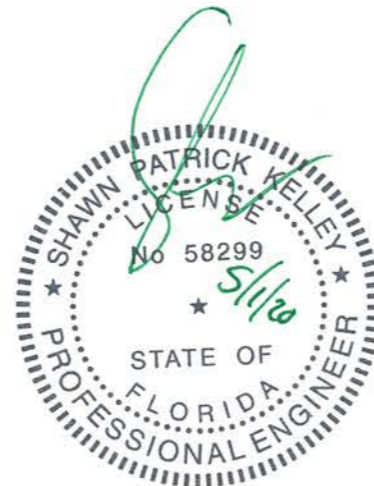


**NOTE:**

1. WHEN MOTOR IS PROVIDED, HEIGHT OR WIDTH DIMENSION MAY INCREASE UP TO 2-1/2" BASED ON MOTOR LOCATION. WHEN AN 8" DIAMETER OR LARGER SHAFT ASSEMBLY IS PROVIDED, HEIGHT DIMENSION INCREASES BY 2".

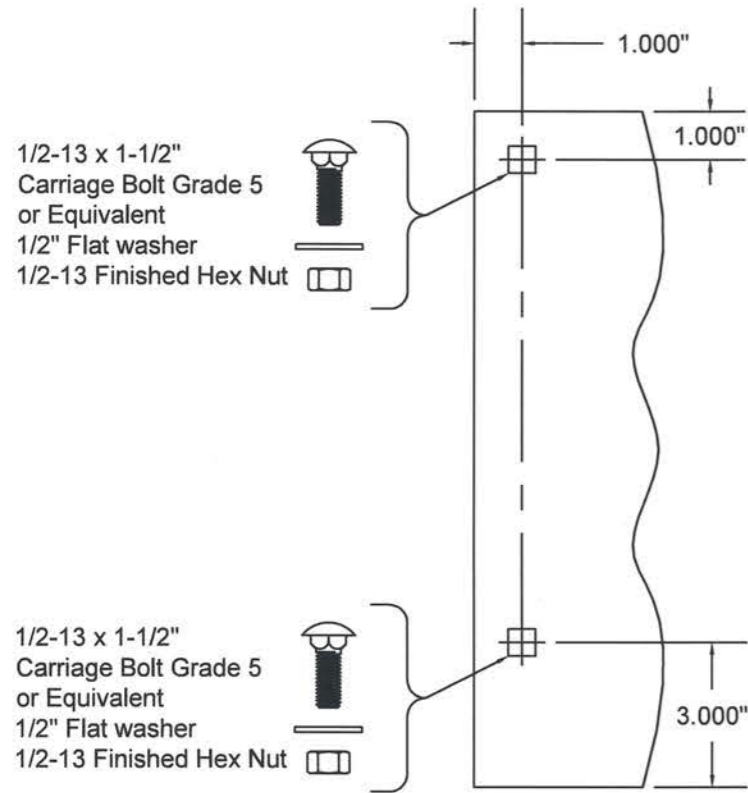
**NOTE:**

1. STANDARD BRACKET MOUNTING DETAIL IS DEPICTED, OTHER MOUNTINGS ARE AVAILABLE

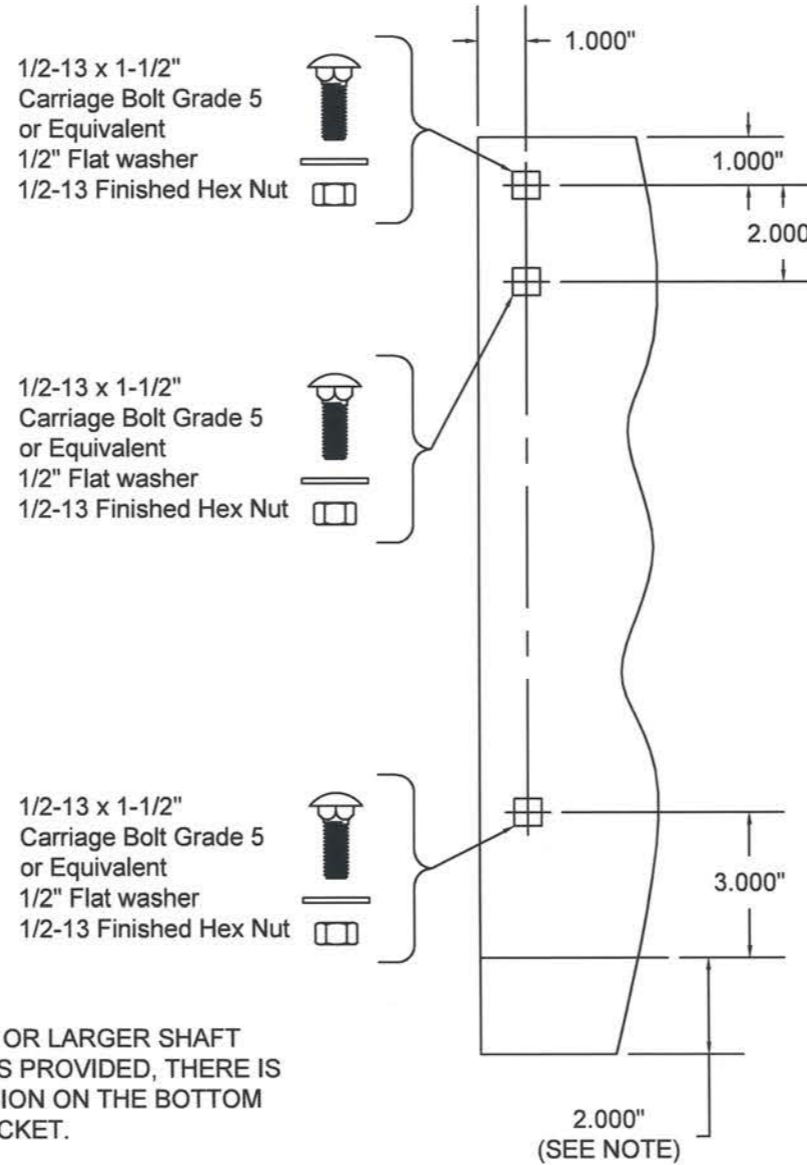


	24 ELMWOOD AVE 1901 S. LITCHFIELD RD MOUNTAINTOP, PA GOODYEAR, AZ	Unless otherwise specified, dimensions are in inches & tolerances are:  0.000 = +/- 0.031 FRACTIONAL = +/- 1/32 ANGLES = +/- 1/2 DEG
	P: 800.233.8366 F: 800.526.0841 E: ADS@CORNELLIRON.COM	TITLE: WIND LOAD CONFIGURATION INSULATED ROLLING STEEL DOOR CP0001/CP0651 SLAT IMPACT RATED
	SIZE: B SCALE: AS NOTED SHEET: 5/40	

L'TR	REVISION	DATE	BY	E.C.O.
*	ORIGINAL ISSUE	10/10/14	TJE	1615
A	REMOVED SPECIFIC ENDLOCK, ADD INNER ANGLE NOTE	12/11/17	CJR	1663
B	REVISED BOTTOM BAR DETAIL; HOOD SUPPORT UPDATE	02/19/20	MAN	2027

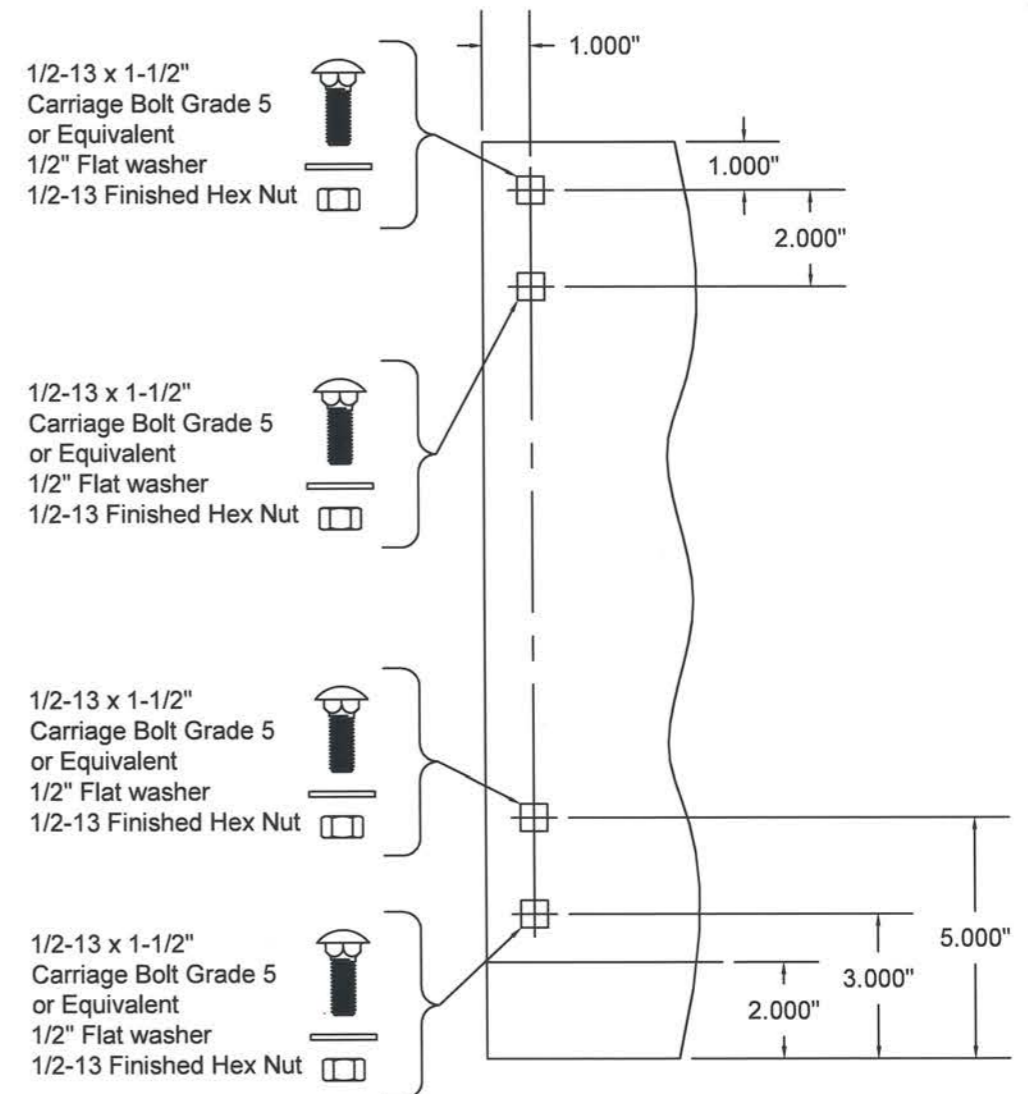


**THRU 6"Ø SHAFT ASSEMBLY**  
**14" THRU 16" COIL DIMENSION**  
**MIN. THICKNESS 0.172" ASTM A36**  
**OR ASTM A480 STAINLESS STEEL,**  
**TYPES 304 OR 316, MINIMUM 36 KSI YIELD STRENGTH**  
**SCALE: 1-1/2" = 1'-0"**

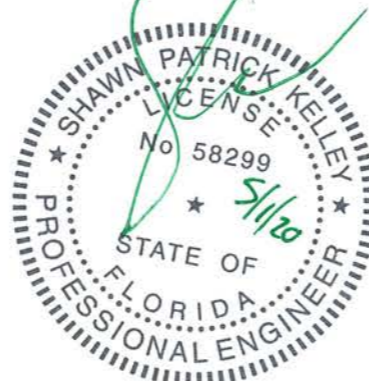


**NOTE:**  
 WHEN A 8"Ø OR LARGER SHAFT  
 ASSEMBLY IS PROVIDED, THERE IS  
 A 2" EXTENSION ON THE BOTTOM  
 OF THE BRACKET.

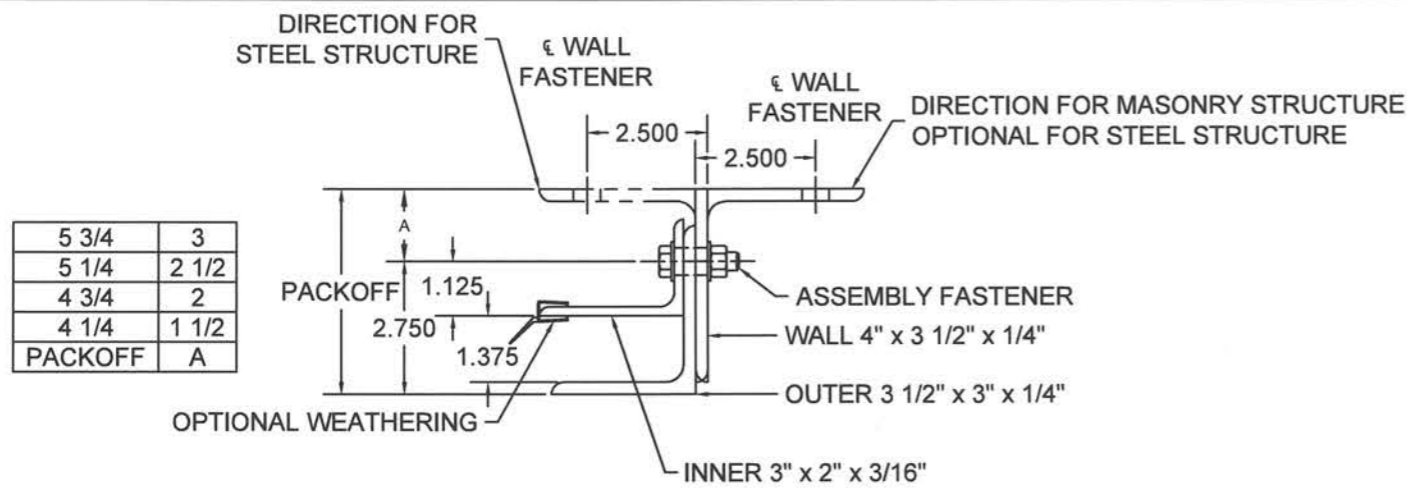
**THRU 10"Ø SHAFT ASSEMBLY**  
**17" AND LARGER COIL DIMENSION**  
**MIN. THICKNESS 0.240" ASTM A36**  
**OR ASTM A480 STAINLESS STEEL,**  
**TYPES 304 OR 316, MINIMUM 36 KSI YIELD STRENGTH**  
**SCALE: 1-1/2" = 1'-0"**



**12"Ø SHAFT ASSEMBLY**  
**17" AND LARGER COIL DIMENSION**  
**MIN. THICKNESS 0.240" ASTM A36**  
**OR ASTM A480 STAINLESS STEEL,**  
**TYPES 304 OR 316, MINIMUM 36 KSI YIELD STRENGTH**  
**SCALE: 1-1/2" = 1'-0"**



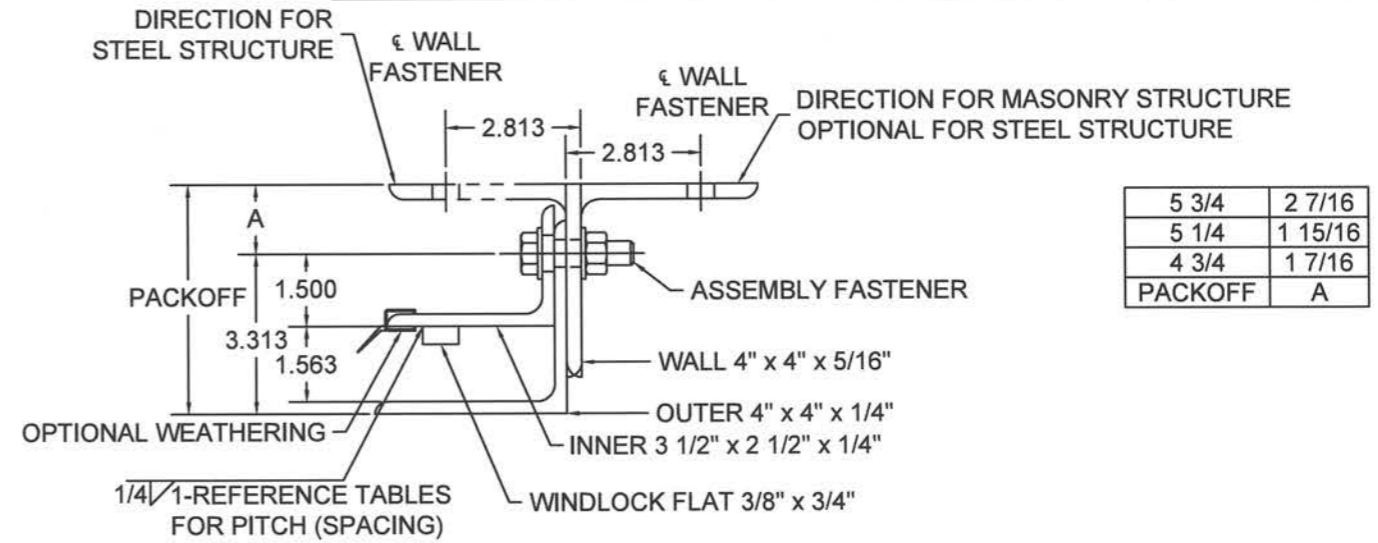
	24 ELMWOOD AVE 1901 S. LITCHFIELD RD MOUNTAINTOP, PA GOODYEAR, AZ		Unless otherwise specified, dimensions are in inches & tolerances are:  0.000 = +/- 0.031 FRACTIONAL = +/- 1/32 ANGLES = +/- 1/2 DEG		
	P: 800.233.8366 F: 800.526.0841 E: ADS@CORNELLIRON.COM				
<b>TITLE: WIND LOAD CONFIGURATION</b> <b>INSULATED ROLLING STEEL DOOR</b> <b>CP0001/CP0651 SLAT IMPACT RATED</b>		<b>DRAWN BY:</b> TJE	<b>SIZE:</b> B	<b>SCALE:</b> AS NOTED	<b>SHEET:</b> 6/40
		<b>DWG NO:</b> ES-16-63-CIW			



5 3/4	3
5 1/4	2 1/2
4 3/4	2
4 1/4	1 1/2
PACKOFF	A

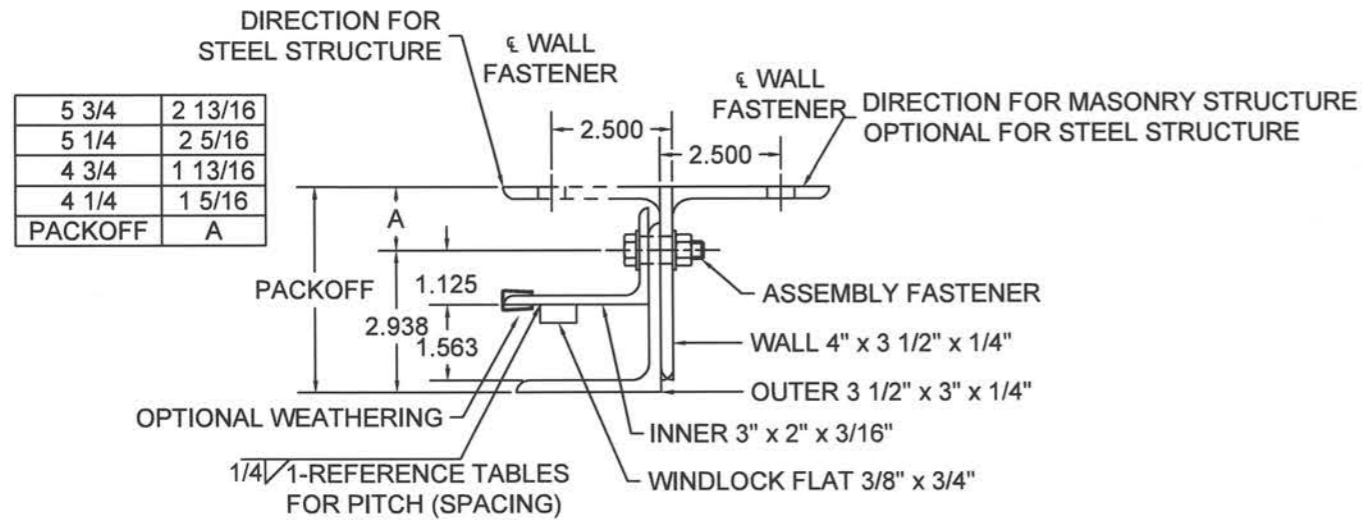
GUIDE ASSEMBLY TYPE 344\* (NON-WINDLOCK)  
SCALE: 3" = 1'-0"

L'TR	REVISION	DATE	BY	E.C.O.
*	ORIGINAL ISSUE	10/10/14	TJE	1615
A	REMOVED SPECIFIC ENDLOCK, ADD INNER ANGLE NOTE	12/11/17	CJR	1663
B	REVISED BOTTOM BAR DETAIL; HOOD SUPPORT UPDATE	02/19/20	MAN	2027



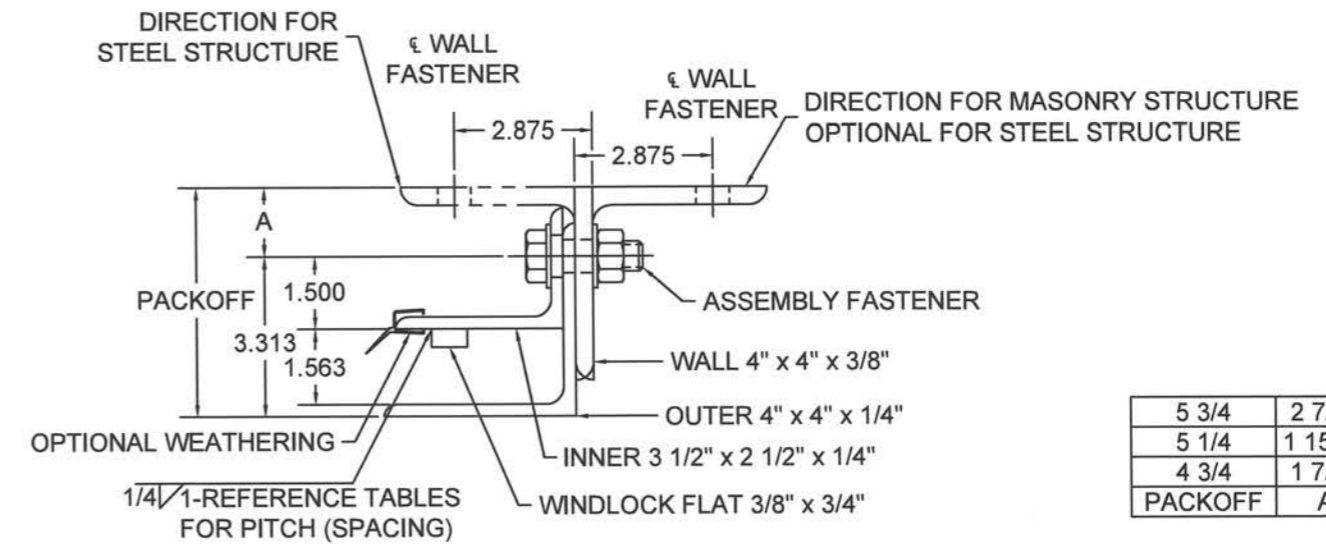
5 3/4	2 7/16
5 1/4	1 15/16
4 3/4	1 7/16
PACKOFF	A

GUIDE ASSEMBLY TYPE 445  
SCALE: 3" = 1'-0"



5 3/4	2 13/16
5 1/4	2 5/16
4 3/4	1 13/16
4 1/4	1 5/16
PACKOFF	A

GUIDE ASSEMBLY TYPE 344  
SCALE: 3" = 1'-0"



5 3/4	2 7/16
5 1/4	1 15/16
4 3/4	1 7/16
PACKOFF	A

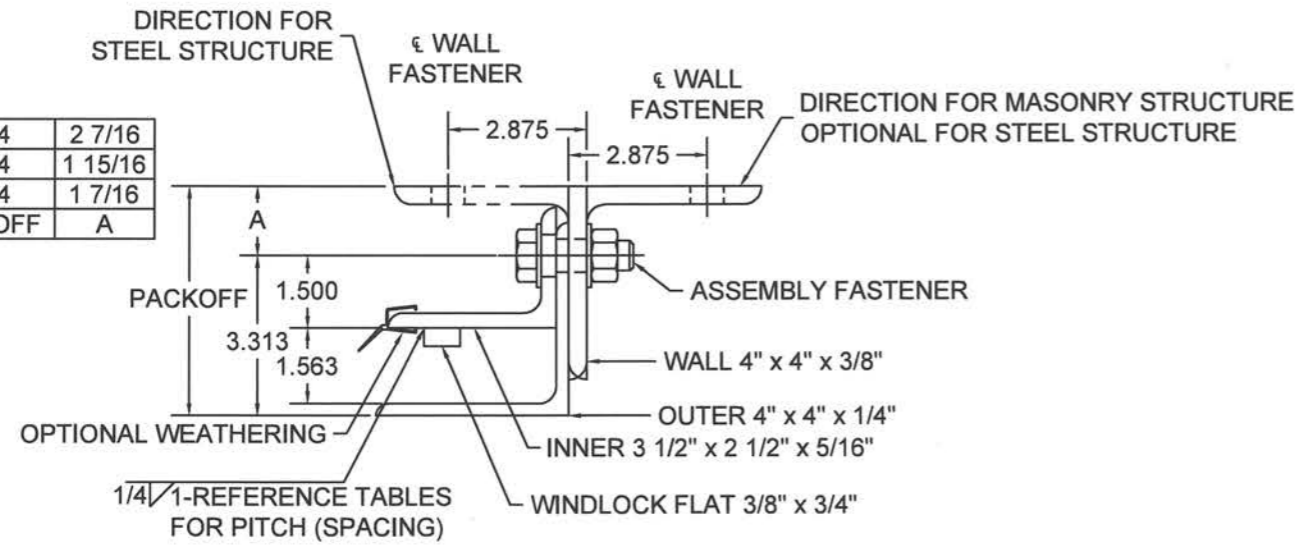
GUIDE ASSEMBLY TYPE 446  
SCALE: 3" = 1'-0"



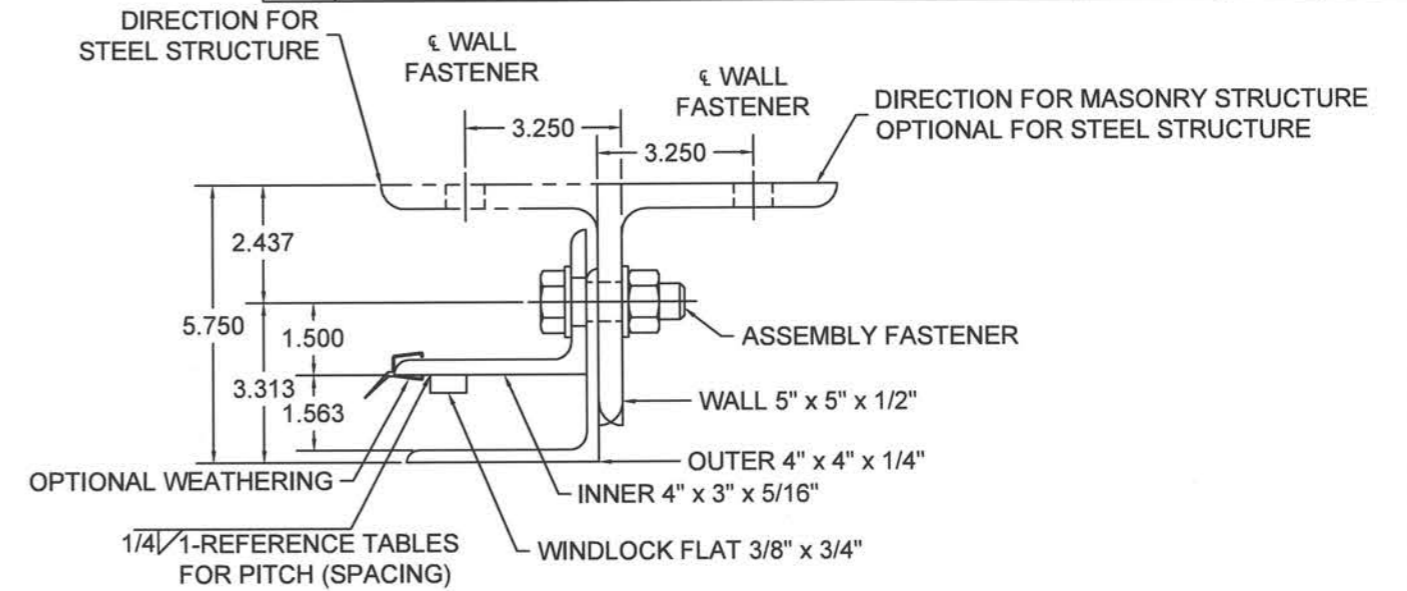
	24 ELMWOOD AVE 1901 S. LITCHFIELD RD MOUNTAINTOP, PA GOODYEAR, AZ	Unless otherwise specified, dimensions are in inches & tolerances are:  0.000 = +/- 0.031 FRACTIONAL = +/- 1/32 ANGLES = +/- 1/2 DEG	
	P: 800.233.8366 F: 800.526.0841 E: ADS@CORNELLIRON.COM	TITLE: WIND LOAD CONFIGURATION INSULATED ROLLING STEEL DOOR CP0001/CP0651 SLAT IMPACT RATED	
DRAWN BY: TJE		SIZE: B	SCALE: AS NOTED
DWG NO: ES-16-63-CIW		SHEET: 7/40	

L'TR	REVISION	DATE	BY	E.C.O.
*	ORIGINAL ISSUE	10/10/14	TJE	1615
A	REMOVED SPECIFIC ENDLOCK, ADD INNER ANGLE NOTE	12/11/17	CJR	1663
B	REVISED BOTTOM BAR DETAIL; HOOD SUPPORT UPDATE	02/19/20	MAN	2027

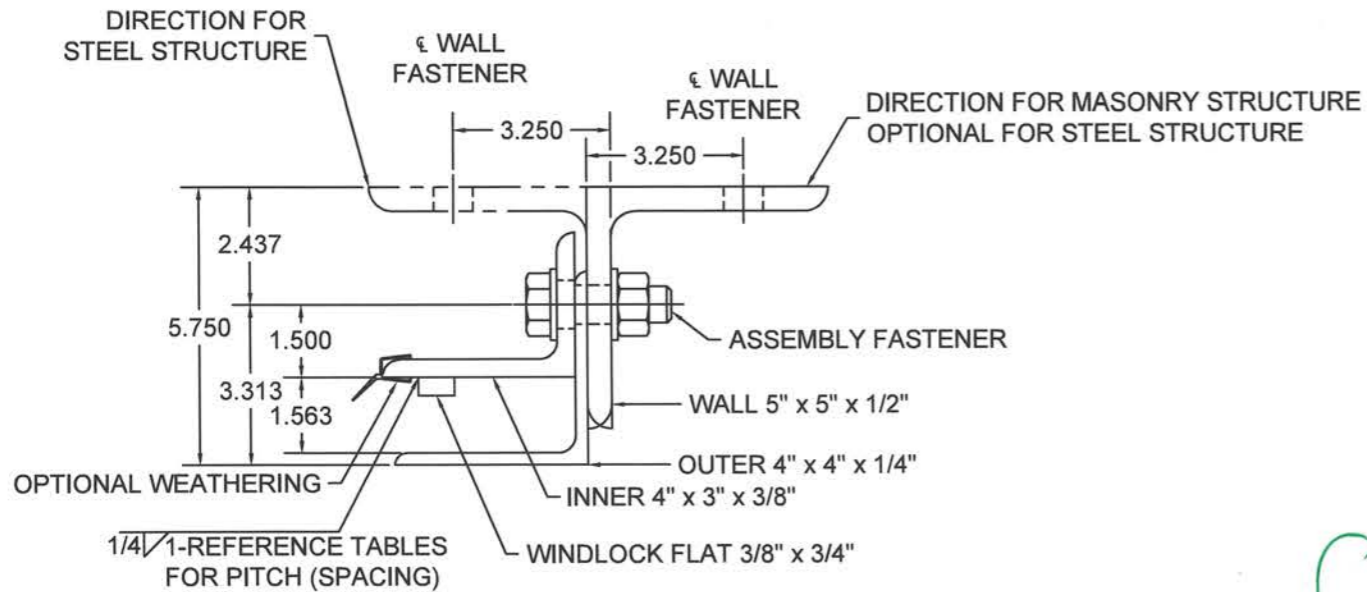
5 3/4	2 7/16
5 1/4	1 15/16
4 3/4	1 7/16
PACKOFF	A



GUIDE ASSEMBLY TYPE 546  
SCALE: 3" = 1'-0"

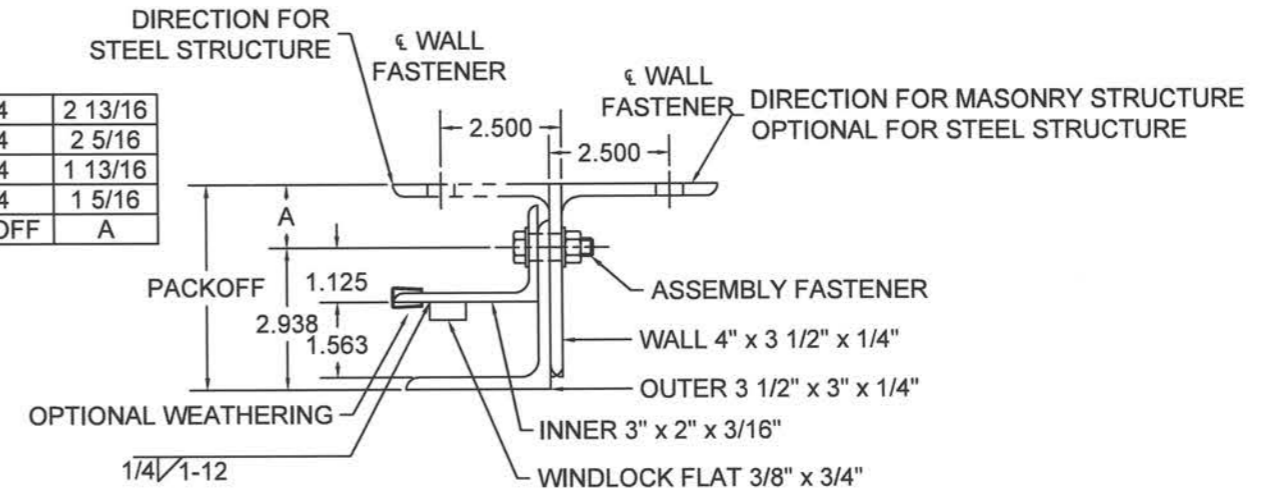


GUIDE ASSEMBLY TYPE 548  
SCALE: 3" = 1'-0"



GUIDE ASSEMBLY TYPE 648  
SCALE: 3" = 1'-0"

5 3/4	2 13/16
5 1/4	2 5/16
4 3/4	1 13/16
4 1/4	1 5/16
PACKOFF	A



GUIDE ASSEMBLY TYPE DC1  
SCALE: 3" = 1'-0"



**CORNELL**  
Innovative door solutions™

24 ELMWOOD AVE 1901 S. LITCHFIELD RD  
MOUNTAINTOP, PA GOODYEAR, AZ

P: 800.233.8366  
F: 800.526.0841  
E: ADS@CORNELLIRON.COM

Unless otherwise specified,  
dimensions are in inches &  
tolerances are:

0.000 = +/- 0.031  
FRACTIONAL = +/- 1/32  
ANGLES = +/- 1/2 DEG

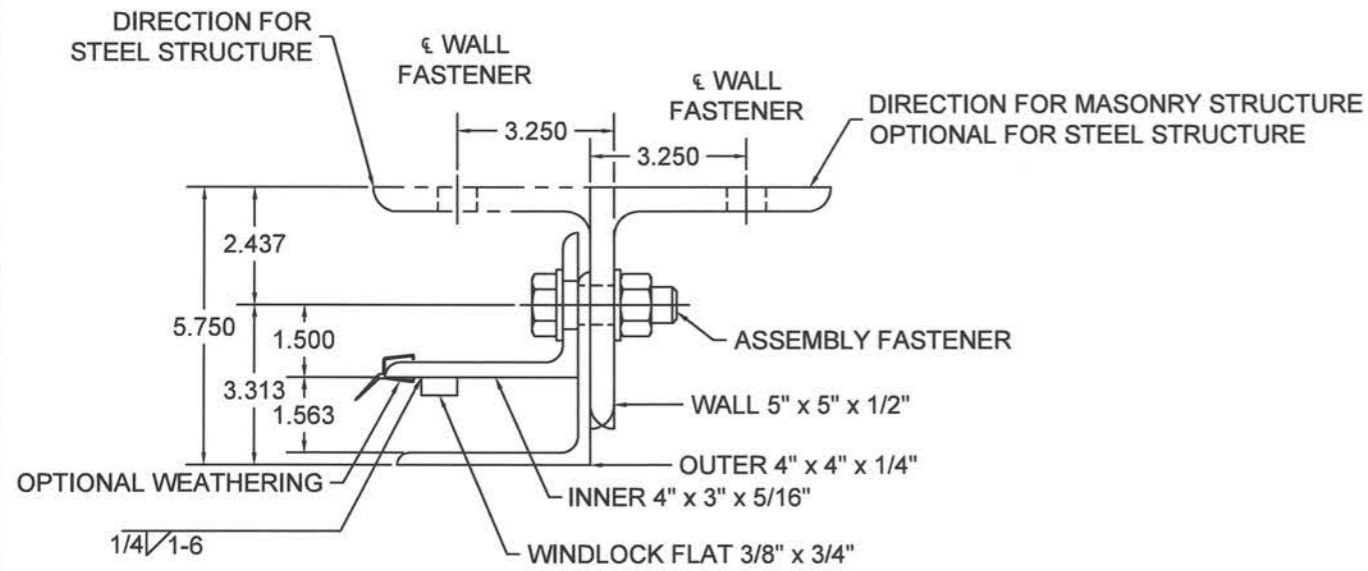
TITLE: WIND LOAD CONFIGURATION  
INSULATED ROLLING STEEL DOOR  
CP0001/CP0651 SLAT IMPACT RATED

DRAWN BY: TJE  
SIZE: B  
SCALE: AS NOTED  
SHEET: 8/40

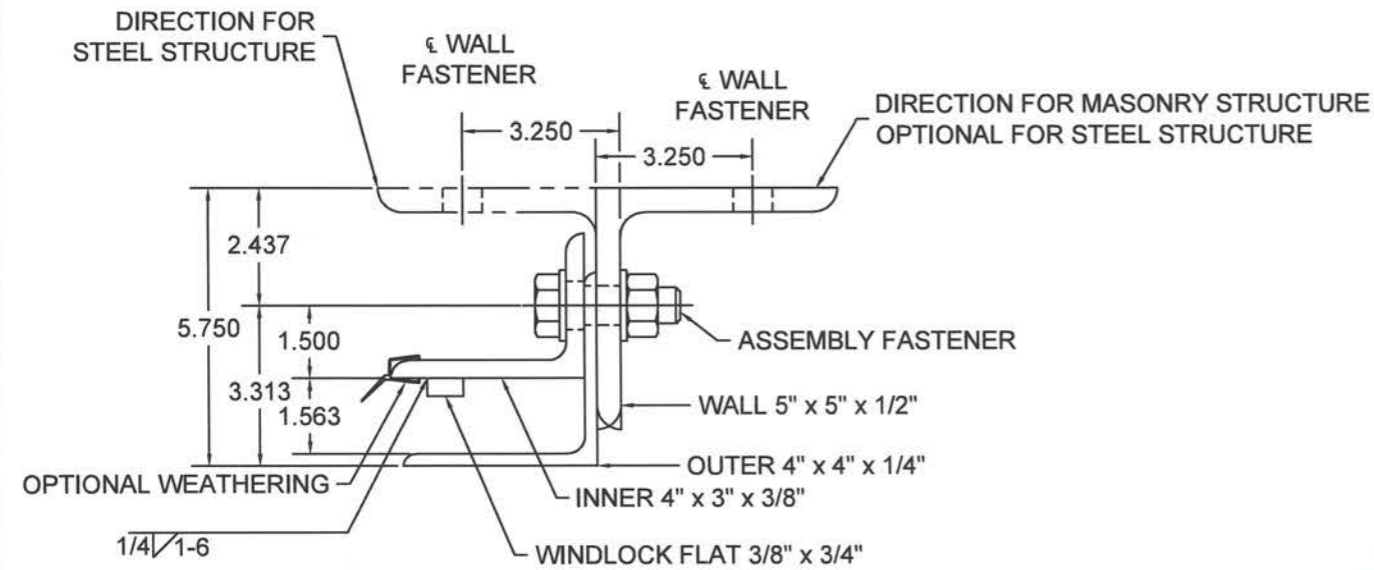
DWG NO: ES-16-63-CIW



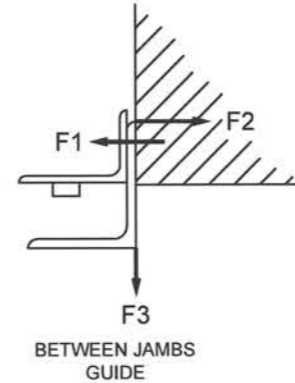
L'TR	REVISION	DATE	BY	E.C.O.
*	ORIGINAL ISSUE	10/10/14	TJE	1615
A	REMOVED SPECIFIC ENDLOCK, ADD INNER ANGLE NOTE	12/11/17	CJR	1663
B	REVISED BOTTOM BAR DETAIL; HOOD SUPPORT UPDATE	02/19/20	MAN	2027



GUIDE ASSEMBLY TYPE DC2  
SCALE: 3" = 1'-0"

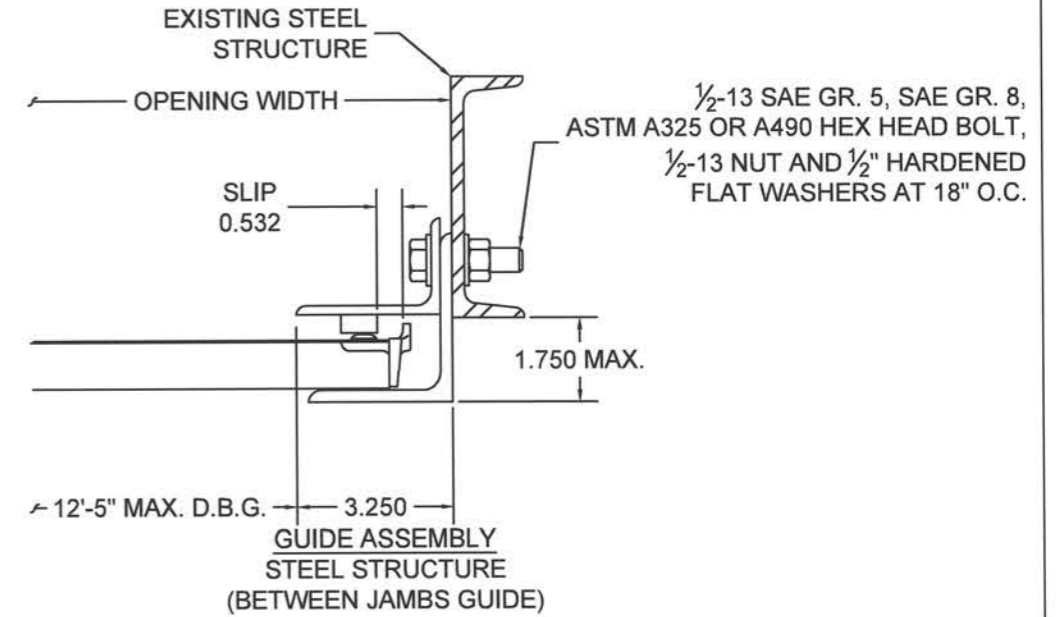


GUIDE ASSEMBLY TYPE DC3  
SCALE: 3" = 1'-0"



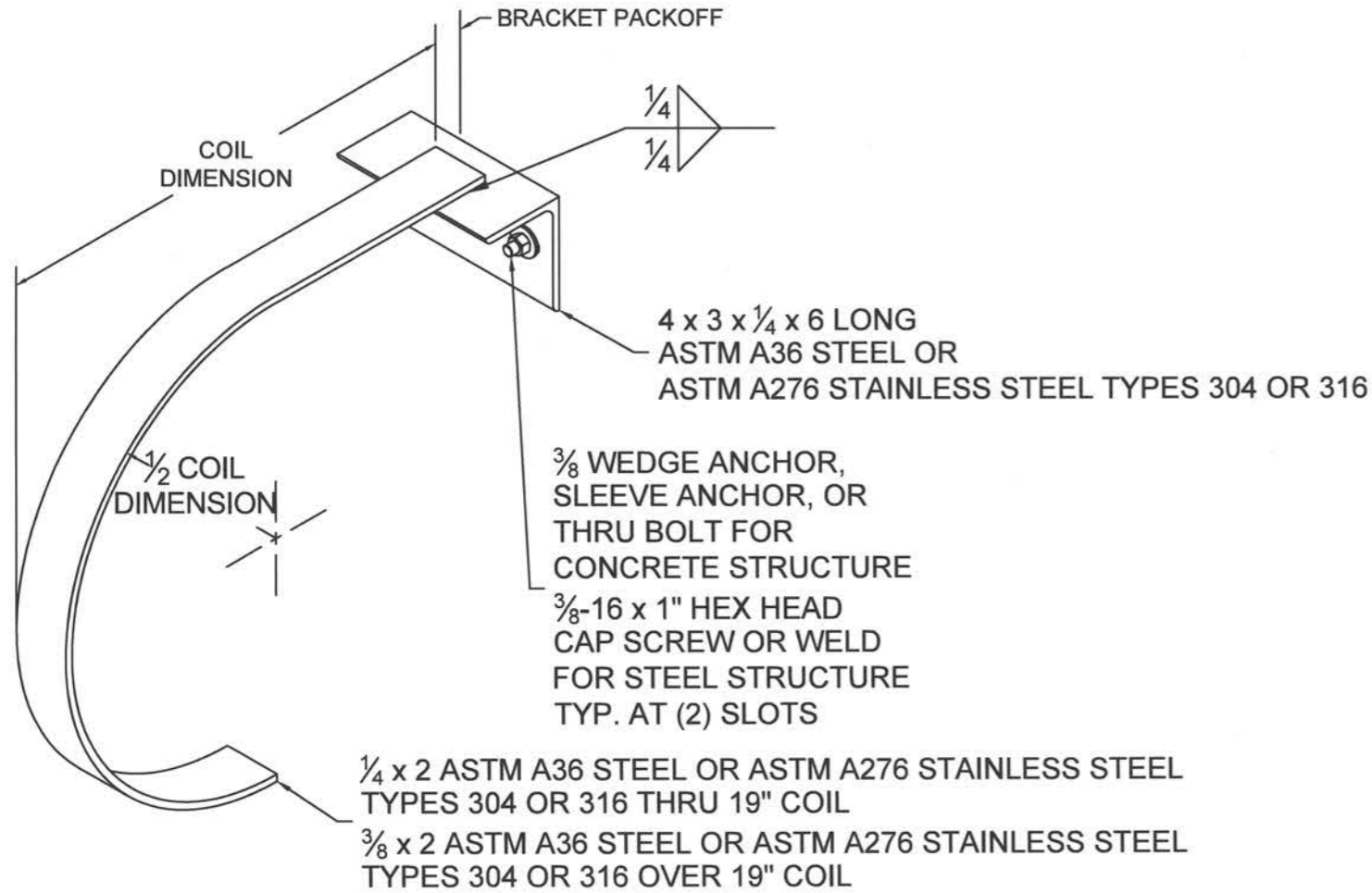
UNREDUCED WIND FORCES ON BUILDING STRUCTURE (LBS / FOOT OF HEIGHT)					
BETWEEN JAMBS GUIDE (12'-5" MAX. D.B.G.)					
POSITIVE			NEGATIVE		
F1	F2	F3	F1	F2	F3
609	238	413	3058	2687	413

**BUILDING DESIGNER NOTE:**  
STRUCTURE MUST BE DESIGNED TO SUPPORT F1, F2, AND F3 FORCES (LBS./FT. OF OPENING HEIGHT) AT EACH JAMB.



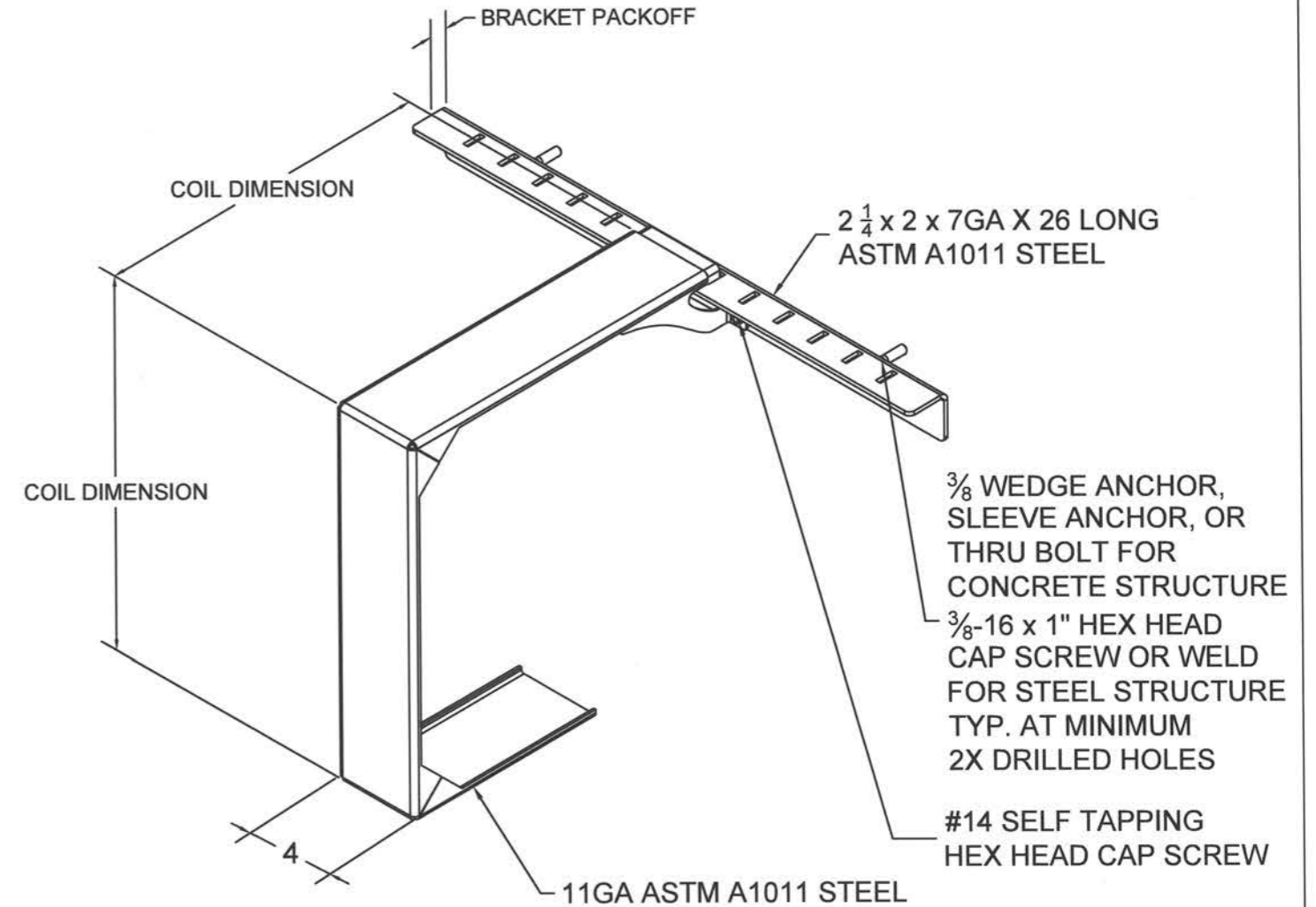
	24 ELMWOOD AVE 1901 S. LITCHFIELD RD MOUNTAINTOP, PA GOODYEAR, AZ	Unless otherwise specified, dimensions are in inches & tolerances are:  0.000 = +/- 0.031 FRACTIONAL = +/- 1/32 ANGLES = +/- 1/2 DEG	
	P: 800.233.8366 F: 800.526.0841 E: ADS@CORNELLIRON.COM	DRAWN BY: <b>TJE</b>	SIZE: <b>B</b>
TITLE: <b>WIND LOAD CONFIGURATION INSULATED ROLLING STEEL DOOR CP0001/CP0651 SLAT IMPACT RATED</b>		SHEET: <b>9/40</b>	
DWG NO: <b>ES-16-63-CIW</b>			

L'TR	REVISION	DATE	BY	E.C.O.
*	ORIGINAL ISSUE	10/10/14	TJE	1615
A	REMOVED SPECIFIC ENDLOCK, ADD INNER ANGLE NOTE	12/11/17	CJR	1663
B	REVISED BOTTOM BAR DETAIL; HOOD SUPPORT UPDATE	02/19/20	MAN	2027



**MID-HOOD SUPPORT**  
(WHEN REQUIRED)

"D" SHAPE DEPICTED, SQUARE STYLE ALSO AVAILABLE  
SCALE: NTS



**MID-HOOD SUPPORT**  
(WHEN REQUIRED)

SQUARE STYLE DEPICTED, "D" SHAPE ALSO AVAILABLE  
SCALE: NTS



	24 ELMWOOD AVE 1901 S. LITCHFIELD RD MOUNTAINTOP, PA GOODYEAR, AZ	Unless otherwise specified, dimensions are in inches & tolerances are:  0.000 = +/- 0.031 FRACTIONAL = +/- 1/32 ANGLES = +/- 1/2 DEG			
	P: 800.233.8366 F: 800.526.0841 E: ADS@CORNELLIRON.COM	TITLE: WIND LOAD CONFIGURATION INSULATED ROLLING STEEL DOOR CP0001/CP0651 SLAT IMPACT RATED	DRAWN BY: <b>TJE</b>	SIZE: <b>B</b>	SCALE: <b>AS NOTED</b>
DWG NO: <b>ES-16-63-CIW</b>					

L'TR	REVISION	DATE	BY	E.C.O.
*	ORIGINAL ISSUE	10/16/14	TJE	1615
A	REMOVED SPECIFIC ENDLOCK, ADD INNER ANGLE NOTE	12/11/17	CJR	1663
B	REVISED BOTTOM BAR DETAIL; HOOD SUPPORT UPDATE	02/19/20	MAN	2027

CP0001/CP0651 - 0.0296/0.0220 Minimum Thickness Galvanized or Stainless Steel - 20 PSF																							
Concrete Minimum 3,000 PSI Compressive Strength (Anchors are the same diameter as assembly fasteners)																							
DBG Up To	Windlock Flat Location	Slip	Windlock	Guide Assembly	Windlock Weld Pitch	Assembly Fastener Diameter	Assembly Fastener Spacing	Hilti Kwik Bolt 3				Simpson Wedge All				Red Head Tru-Bolt				Powers Wedge-Bolt			
								Max O.C.	Embed	Min. Wall Thick.	Edge Dist	Max O.C.	Embed	Min. Wall Thick.	Edge Dist	Max O.C.	Embed	Min. Wall Thick.	Edge Dist	Max O.C.	Embed	Min. Wall Thick.	Edge Dist
5'-5"	N/A	N/A	N/A	344*	N/A	3/8	24	36	2 3/8	4	5 3/4	36	2 5/8	3 15/16	5 3/4	36	3	4 1/2	5 3/4	30	2	3	5 3/4
6'-5"	N/A	N/A	N/A	344*	N/A	3/8	24	36	2 3/8	4	5 3/4	32	2 5/8	3 15/16	5 3/4	33	3	4 1/2	5 3/4	25	2	3	5 3/4
7'-5"	N/A	N/A	N/A	344*	N/A	3/8	24	36	2 3/8	4	5 3/4	28	2 5/8	3 15/16	5 3/4	28	3	4 1/2	5 3/4	22	2	3	5 3/4
8'-5"	N/A	N/A	N/A	344*	N/A	3/8	24	36	2 3/8	4	5 3/4	24	2 5/8	3 15/16	5 3/4	25	3	4 1/2	5 3/4	19	2	3	5 3/4
9'-5"	N/A	N/A	N/A	344*	N/A	3/8	24	36	2 3/8	4	5 3/4	22	2 5/8	3 15/16	5 3/4	22	3	4 1/2	5 3/4	17	2	3	5 3/4
10'-5"	N/A	N/A	N/A	344*	N/A	3/8	24	36	2 3/8	4	5 3/4	20	2 5/8	3 15/16	5 3/4	20	3	4 1/2	5 3/4	15	2	3	5 3/4
11'-5"	N/A	N/A	N/A	344*	N/A	3/8	24	36	2 3/8	4	5 3/4	18	2 5/8	3 15/16	5 3/4	18	3	4 1/2	5 3/4	14	2	3	5 3/4
12'-5"	N/A	N/A	N/A	344*	N/A	3/8	24	36	2 3/8	4	5 3/4	16	2 5/8	3 15/16	5 3/4	17	3	4 1/2	5 3/4	13	2	3	5 3/4
13'-5"	N/A	N/A	N/A	344*	N/A	3/8	24	36	2 3/8	4	5 3/4	15	2 5/8	3 15/16	5 3/4	16	3	4 1/2	5 3/4	12	2	3	5 3/4
14'-5"	N/A	N/A	N/A	344*	N/A	3/8	24	36	2 3/8	4	5 3/4	14	2 5/8	3 15/16	5 3/4	14	3	4 1/2	5 3/4	11	2	3	5 3/4
15'-5"	N/A	N/A	N/A	344*	N/A	3/8	24	36	2 3/8	4	5 3/4	13	2 5/8	3 15/16	5 3/4	13	3	4 1/2	5 3/4	10	2	3	5 3/4
16'-5"	N/A	N/A	N/A	344*	N/A	3/8	24	28	2 3/8	4	5 3/4	12	2 5/8	3 15/16	5 3/4	13	3	4 1/2	5 3/4	10	2	3	5 3/4
17'-5"	N/A	N/A	N/A	344*	N/A	3/8	24	19	2 3/8	4	5 3/4	12	2 5/8	3 15/16	5 3/4	12	3	4 1/2	5 3/4	9	2	3	5 3/4
18'-5"	1 1/2	0.719	CP0629	344	12	3/8	18	36	2 3/8	4	5 3/4	17	2 5/8	3 15/16	5 3/4	17	3	4 1/2	5 3/4	11	2	3	5 3/4
19'-5"	1 1/2	0.719	CP0629	344	12	3/8	18	16	2 3/8	4	5 3/4	12	2 5/8	3 15/16	5 3/4	12	3	4 1/2	5 3/4	7	2	3	5 3/4
20'-5"	1 1/2	0.719	CP0629	344	12	3/8	17	N/A				9	2 5/8	3 15/16	5 3/4	9	3	4 1/2	5 3/4	6	2	3	5 3/4
21'-5"	1 1/2	0.719	CP0629	344	12	3/8	14	N/A				8	2 5/8	3 15/16	5 3/4	8	3	4 1/2	5 3/4	5	2	3	5 3/4
22'-5"	1 1/2	0.719	CP0629	344	11	3/8	12	N/A				6	2 5/8	3 15/16	5 3/4	7	3	4 1/2	5 3/4	5	2 1/2	3 3/4	5 3/4
23'-5"	2	1.219	CP0629	445	12	1/2	18	36	3 5/8	6	6 13/16	18	4 1/2	6 3/4	6 13/16	14	4 1/8	6 3/16	6 13/16	8	2 1/2	3 3/4	6 13/16
24'-5"	2	1.219	CP0629	445	12	1/2	18	36	3 5/8	6	6 13/16	16	4 1/2	6 3/4	6 13/16	13	4 1/8	6 3/16	6 13/16	7	2 1/2	3 3/4	6 13/16
25'-5"	2	1.219	CP0629	445	11	1/2	18	36	3 5/8	6	6 13/16	14	4 1/2	6 3/4	6 13/16	11	4 1/8	6 3/16	6 13/16	6	2 1/2	3 3/4	6 13/16
26'-5"	2	1.219	CP0629	445	10	1/2	18	28	3 5/8	6	6 13/16	13	4 1/2	6 3/4	6 13/16	10	4 1/8	6 3/16	6 13/16	6	2 1/2	3 3/4	6 13/16
27'-5"	2	1.156	CP0630	445	10	1/2	18	36	3 5/8	8	6 13/16	11	4 1/2	6 3/4	6 13/16	9	4 1/8	6 3/16	6 13/16	7	3 1/2	5 1/4	6 13/16
28'-5"	2	1.156	CP0630	445	9	1/2	16	22	3 5/8	8	6 13/16	10	4 1/2	6 3/4	6 13/16	8	4 1/8	6 3/16	6 13/16	7	3 1/2	5 1/4	6 13/16
29'-5"	2	1.156	CP0630	445	9	1/2	15	N/A				10	4 1/2	6 3/4	6 13/16	8	4 1/8	6 3/16	6 13/16	6	3 1/2	5 1/4	6 13/16
30'-5"	2	1.156	CP0630	445	9	1/2	14	N/A				9	4 1/2	6 3/4	6 13/16	7	4 1/8	6 3/16	6 13/16	6	3 1/2	5 1/4	6 13/16
31'-5"	2	1.156	CP0630	445	8	1/2	13	N/A				8	4 1/2	6 3/4	6 13/16	7	4 1/8	6 3/16	6 13/16	7	4	6	6 13/16
32'-5"	2	1.156	CP0630	446	8	5/8	18	N/A				11	4 1/2	6 3/4	6 7/8	N/A				10	5	7 1/2	6 7/8
33'-5"	2	1.156	CP0630	446	8	5/8	18	N/A				10	4 1/2	6 3/4	6 7/8	N/A				9	5	7 1/2	6 7/8
34'-5"	2	1.156	CP0630	446	8	5/8	18	N/A				10	4 1/2	6 3/4	6 7/8	N/A				8	5	7 1/2	6 7/8
35'-5"	2	1.156	CP0630 & CP0647	446	7	5/8	17	N/A				9	4 1/2	6 3/4	6 7/8	N/A				8	5	7 1/2	6 7/8
36'-5"	2	1.156	CP0630 & CP0647	546	7	5/8	17	N/A				9	4 1/2	6 3/4	6 7/8	N/A				8	5	7 1/2	6 7/8
37'-5"	2	1.156	CP0630 & CP0647	546	7	5/8	16	N/A				8	4 1/2	6 3/4	6 7/8	N/A				7	5	7 1/2	6 7/8
38'-5"	2	1.156	CP0630 & CP0647	546	7	5/8	15	N/A				8	4 1/2	6 3/4	6 7/8	N/A				N/A			
39'-5"	2 1/2	1.656	CP0630 & CP0647	548	7	3/4	18	28	5 5/8	8	7 1/2	12	5	7 1/2	7 1/2	13	6 5/8	9 15/16	7 1/2	9	5	7 1/2	7 1/2
40'-5"	2 1/2	1.656	CP0630 & CP0647	548	7	3/4	18	22	5 5/8	8	7 1/2	11	5	7 1/2	7 1/2	13	6 5/8	9 15/16	7 1/2	N/A			



	24 ELMWOOD AVE 1901 S. LITCHFIELD RD MOUNTAINTOP, PA GOODYEAR, AZ	Unless otherwise specified, dimensions are in inches & tolerances are:  0.000 = +/- 0.031 FRACTIONAL = +/- 1/32 ANGLES = +/- 1/2 DEG
	P: 800.233.8366 F: 800.526.0841 E: ADS@CORNELLIRON.COM	TITLE: WIND LOAD CONFIGURATION INSULATED ROLLING STEEL DOOR CP0001/CP0651 SLAT IMPACT RATED

L/TR	REVISION	DATE	BY	E.C.O.
*	ORIGINAL ISSUE	10/16/14	TJE	1615
A	REMOVED SPECIFIC ENDLOCK, ADD INNER ANGLE NOTE	12/11/17	CJR	1663
B	REVISED BOTTOM BAR DETAIL; HOOD SUPPORT UPDATE	02/19/20	MAN	2027

CP0001/CP0651 - 0.0296/0.0220 Minimum Thickness Galvanized or Stainless Steel - 20 PSF, Cont.

DBG Up To	Filled CMU												Cracked Concrete Minimum 3,000 PSI Compressive Strength												Steel (Wall anchors are the same diameter as assembly fasteners)						Superimposed Loads				
	Hilti Kwik Bolt 3				Simpson Strong-Bolt 2				Through Bolt				Hilti Kwik Bolt TZ				Simpson Strong-Bolt 2				ITW Redhead Trubolt+				Welded		Through Bolt	Tapped							
	Max O.C.	Dia.	Embed	Edge Dist	Max O.C.	Dia.	Embed	Edge Dist	Max. O.C.	Dia.	Edge Distance	Max O.C.	Dia.	Embed.	Min Wall Thick.	Edge Dist	Max O.C.	Dia.	Embed.	Min Wall Thick.	Edge Dist	Max O.C.	Dia.	Embed.	Min Wall Thick.	Edge Dist	Max O.C.	Slot Size	Max O.C.	Max O.C.	Min. Thickness	Vx (+)	Vy (+)	Vx (-)	Vy (-)
5'-5"	9	3/8	1 5/8	5 3/4	15	3/8	2 5/8	5 3/4	36	3/8	5 3/4	36	3/8	2 5/16	4	5 3/4	36	3/8	1 7/8	3 1/4	5 3/4	36	3/8	2	4	5 3/4	36	7/16 x 5/8	36	36	3/16	0	55	0	55
6'-5"	18	3/8	2 1/2	5 3/4	12	3/8	2 5/8	5 3/4	32	3/8	5 3/4	36	3/8	2 5/16	4	5 3/4	36	3/8	1 7/8	3 1/4	5 3/4	19	3/8	2	4	5 3/4	36	7/16 x 5/8	36	36	3/16	0	65	0	65
7'-5"	16	3/8	2 1/2	5 3/4	11	3/8	2 5/8	5 3/4	28	3/8	5 3/4	36	3/8	2 5/16	4	5 3/4	36	3/8	1 7/8	3 1/4	5 3/4	36	3/8	2	5	5 3/4	36	7/16 x 5/8	36	36	3/16	0	75	0	75
8'-5"	14	3/8	2 1/2	5 3/4	9	3/8	2 5/8	5 3/4	24	3/8	5 3/4	36	3/8	2 5/16	4	5 3/4	28 1/2	3/8	1 7/8	3 1/4	5 3/4	36	3/8	2	5	5 3/4	36	7/16 x 5/8	36	36	3/16	0	85	0	85
9'-5"	12	3/8	2 1/2	5 3/4	8	3/8	2 5/8	5 3/4	22	3/8	5 3/4	22 3/4	3/8	2 5/16	4	5 3/4	36	3/8	2 7/8	4 1/2	5 3/4	36	3/8	2	5	5 3/4	36	7/16 x 5/8	36	36	3/16	0	95	0	95
10'-5"	11	3/8	2 1/2	5 3/4	9	1/2	3 1/2	5 3/4	20	3/8	5 3/4	7 1/8	3/8	2 5/16	4	5 3/4	36	3/8	2 7/8	4 1/2	5 3/4	22 3/4	3/8	2	5	5 3/4	36	7/16 x 5/8	36	36	3/16	0	105	0	105
11'-5"	10	3/8	2 1/2	5 3/4	8	1/2	3 1/2	5 3/4	18	3/8	5 3/4	7 1/8	3/8	2 5/16	5	5 3/4	36	3/8	2 7/8	4 1/2	5 3/4	10 5/16	3/8	2	5	5 3/4	36	7/16 x 5/8	36	36	3/16	0	115	0	115
12'-5"	9	3/8	2 1/2	5 3/4	8	1/2	3 1/2	5 3/4	16	3/8	5 3/4	36	1/2	3 5/8	6	5 3/4	36	3/8	2 7/8	4 1/2	5 3/4	36	1/2	2 1/2	4	5 3/4	36	7/16 x 5/8	36	36	3/16	0	125	0	125
13'-5"	8	3/8	2 1/2	5 3/4	14	3/4	5 1/4	5 3/4	15	3/8	5 3/4	36	1/2	3 5/8	6	5 3/4	36	3/8	2 7/8	4 1/2	5 3/4	36	1/2	2 1/2	4	5 3/4	36	7/16 x 5/8	36	36	3/16	0	135	0	135
14'-5"	8	3/8	2 1/2	5 3/4	13	3/4	5 1/4	5 3/4	14	3/8	5 3/4	36	1/2	3 5/8	6	5 3/4	36	3/8	2 7/8	4 1/2	5 3/4	22 3/4	1/2	2 1/2	4	5 3/4	36	7/16 x 5/8	36	36	3/16	0	145	0	145
15'-5"	8	1/2	3 1/2	5 3/4	12	3/4	5 1/4	5 3/4	13	3/8	5 3/4	36	1/2	3 5/8	6	5 3/4	36	3/8	2 7/8	4 1/2	5 3/4	12 5/8	1/2	2 1/2	4	5 3/4	36	7/16 x 5/8	36	36	3/16	0	155	0	155
16'-5"	8	1/2	3 1/2	5 3/4	11	3/4	5 1/4	5 3/4	12	3/8	5 3/4	22 3/4	1/2	3 5/8	6	5 3/4	36	3/8	2 7/8	4 1/2	5 3/4	28 1/2	1/2	3 3/4	8	5 3/4	36	7/16 x 5/8	36	36	3/16	0	165	0	165
17'-5"	9	3/4	3 1/4	5 3/4	11	3/4	5 1/4	5 3/4	12	3/8	5 3/4	36	1/2	3 5/8	8	5 3/4	36	3/8	2 7/8	4 1/2	5 3/4	19	1/2	3 3/4	8	5 3/4	36	7/16 x 5/8	36	36	3/16	0	175	0	175
18'-5"	10	3/8	2 1/2	5 3/4	8	1/2	3 1/2	5 3/4	17	3/8	5 3/4	36	1/2	3 5/8	6	5 3/4	36	3/8	2 7/8	4 1/2	5 3/4	36	1/2	2 1/2	4	5 3/4	35	7/16 x 5/8	35	23	3/16	296	185	282	185
19'-5"	8	1/2	3 1/2	5 3/4	11	3/4	5 1/4	5 3/4	12	3/8	5 3/4	28 1/2	1/2	3 5/8	6	5 3/4	19	1/2	2 3/4	4 1/2	5 3/4	36	1/2	3 3/4	8	5 3/4	24	7/16 x 5/8	24	16	3/16	438	195	425	195
20'-5"	11	3/4	4 3/8	5 3/4	8	3/4	5 1/4	5 3/4	9	3/8	5 3/4	19	1/2	3 5/8	8	5 3/4	36	3/4	4 1/8	6 3/4	5 3/4	36	3/4	4 3/8	7	5 3/4	19	7/16 x 5/8	19	12	3/16	573	205	561	205
21'-5"	9	3/4	4 3/8	5 3/4	N/A				8	3/8	5 3/4	36	3/4	5 9/16	8	5 3/4	36	3/4	5 3/4	8 3/4	5 3/4	28 1/2	3/4	4 3/8	8	5 3/4	15	7/16 x 5/8	15	10	3/16	702	215	691	215
22'-5"	8	3/4	4 3/8	5 3/4	N/A				6	3/8	5 3/4	22 3/4	3/4	5 9/16	8	5 3/4	36	3/4	5 3/4	8 3/4	5 3/4	N/A				13	7/16 x 5/8	13	8	3/16	827	225	816	225	
23'-5"	11	3/4	4 3/8	6 13/16	8	3/4	5 1/4	6 13/16	18	1/2	6 13/16	36	3/4	5 9/16	8	6 13/16	28 1/2	3/4	4 1/8	6 3/4	6 13/16	36	3/4	4 3/8	7	6 13/16	36	9/16 x 3/4	36	21	1/4	631	234	624	235
24'-5"	10	3/4	4 3/8	6 13/16	N/A				16	1/2	6 13/16	36	3/4	5 9/16	8	6 13/16	36	3/4	5 3/4	8 3/4	6 13/16	36	3/4	4 3/8	8	6 13/16	34	9/16 x 3/4	34	18	1/4	730	244	723	245
25'-5"	8	3/4	4 3/8	6 13/16	N/A				14	1/2	6 13/16	36	3/4	5 9/16	8	6 13/16	36	3/4	5 3/4	8 3/4	6 13/16	19	3/4	4 3/8	8	6 13/16	30	9/16 x 3/4	30	16	1/4	827	254	820	255
26'-5"	8	3/4	4 3/8	6 13/16	N/A				13	1/2	6 13/16	28 1/2	3/4	5 9/16	8	6 13/16	36	3/4	5 3/4	8 3/4	6 13/16	N/A				27	9/16 x 3/4	27	15	1/4	921	264	915	265	
27'-5"	N/A				N/A				11	1/2	6 13/16	N/A				N/A				N/A				23	9/16 x 3/4	23	13	1/4	1051	275	1044	275			
28'-5"	N/A				N/A				10	1/2	6 13/16	N/A				N/A				N/A				21	9/16 x 3/4	21	12	1/4	1145	285	1138	285			
29'-5"	N/A				N/A				10	1/2	6 13/16	N/A				N/A				N/A				20	9/16 x 3/4	20	11	1/4	1238	295	1232	295			
30'-5"	N/A				N/A				9	1/2	6 13/16	N/A				N/A				N/A				18	9/16 x 3/4	18	10	1/4	1331	305	1325	305			
31'-5"	N/A				N/A				8	1/2	6 13/16	N/A				N/A				N/A				17	9/16 x 3/4	17	9	1/4	1424	315	1417	316			
32'-5"	N/A				N/A				11	5/8	6 7/8	N/A				N/A				N/A				24	11/16 x 7/8	24	13	5/16	1516	325	1510	326			
33'-5"	N/A				N/A				10	5/8	6 7/8	N/A				N/A				N/A				23	11/16 x 7/8	23	12	5/16	1609	335	1602	336			
34'-5"	N/A				N/A				10	5/8	6 7/8	N/A				N/A				N/A				22	11/16 x 7/8	22	12	5/16	1702	345	1695	346			
35'-5"	N/A				N/A				9	5/8	6 7/8	N/A				N/A				N/A				20	11/16 x 7/8	20	11	5/16	1795	355	1788	356			
36'-5"	N/A				N/A				9	5/8	6 7/8	N/A				N/A				N/A				19	11/16 x 7/8	19	11	5/16	1888	366	1881	366			
37'-5"	N/A				N/A				8	5/8	6 7/8	N/A				N/A				N/A				18	11/16 x 7/8	18	10	5/16	1982	376	1975	377			
38'-5"	N/A				N/A				8	5/8	6 7/8	N/A				N/A				N/A				18	11/16 x 7/8	18	10	5/16	2076	386	2069	387			
39'-5"	N/A				N/A				12	3/4	7 1/2	N/A				N/A				N/A				36	13/16 x 1	36	25	3/8	1786	395	1780	395			
40'-5"	N/A				N/A				11	3/4	7 1/2	N/A				N/A				N/A				36	13/16 x 1	36	24	3/8	1866	405	1860	405			



	24 ELMWOOD AVE 1901 S. LITCHFIELD RD MOUNTAINTOP, PA GOODYEAR, AZ		Unless otherwise specified, dimensions are in inches & tolerances are:  0.000 = +/- 0.031 FRACTIONAL = +/- 1/32 ANGLES = +/- 1/2 DEG		
	P: 800.233.8366 F: 800.526.0841 E: ADS@CORNELLIRON.COM		DRAWN BY: <b>TJE</b>	SIZE: <b>B</b>	SCALE: <b>AS NOTED</b>
TITLE: <b>WIND LOAD CONFIGURATION                  INSULATED ROLLING STEEL DOOR                  CP0001/CP0651 SLAT IMPACT RATED</b>			DWG NO: <b>ES-16-63-CIW</b>		

L'TR	REVISION	DATE	BY	E.C.O.
*	ORIGINAL ISSUE	10/16/14	TJE	1615
A	REMOVED SPECIFIC ENDLOCK, ADD INNER ANGLE NOTE	12/11/17	CJR	1663
B	REVISED BOTTOM BAR DETAIL; HOOD SUPPORT UPDATE	02/19/20	MAN	2027

CP0001/CP0651 - 0.0296/0.0220 Minimum Thickness Galvanized or Stainless Steel - 30 PSF																								
Concrete Minimum 3,000 PSI Compressive Strength (Anchors are the same diameter as assembly fasteners)																								
DBG Up To	Windlock Flat Location	Slip	Windlock	Guide Assembly	Windlock Weld Pitch	Assembly Fastener Diameter	Assembly Fastener Spacing	Hilti Kwik Bolt 3				Simpson Wedge All				Red Head Tru-Bolt				Powers Wedge-Bolt				
								Max O.C.	Embed	Min. Wall Thick.	Edge Dist	Max O.C.	Embed	Min. Wall Thick.	Edge Dist	Max O.C.	Embed	Min. Wall Thick.	Edge Dist	Max O.C.	Embed	Min. Wall Thick.	Edge Dist	
5'-5"	N/A	N/A	N/A	344*	N/A	3/8	24	36	2 3/8	4	5 3/4	25	2 5/8	3 15/16	5 3/4	26	3	4 1/2	5 3/4	20	2	3	5 3/4	
6'-5"	N/A	N/A	N/A	344*	N/A	3/8	24	36	2 3/8	4	5 3/4	21	2 5/8	3 15/16	5 3/4	22	3	4 1/2	5 3/4	17	2	3	5 3/4	
7'-5"	N/A	N/A	N/A	344*	N/A	3/8	24	36	2 3/8	4	5 3/4	18	2 5/8	3 15/16	5 3/4	19	3	4 1/2	5 3/4	14	2	3	5 3/4	
8'-5"	N/A	N/A	N/A	344*	N/A	3/8	24	36	2 3/8	4	5 3/4	16	2 5/8	3 15/16	5 3/4	17	3	4 1/2	5 3/4	13	2	3	5 3/4	
9'-5"	N/A	N/A	N/A	344*	N/A	3/8	24	36	2 3/8	4	5 3/4	14	2 5/8	3 15/16	5 3/4	15	3	4 1/2	5 3/4	11	2	3	5 3/4	
10'-5"	N/A	N/A	N/A	344*	N/A	3/8	24	36	2 3/8	4	5 3/4	13	2 5/8	3 15/16	5 3/4	13	3	4 1/2	5 3/4	10	2	3	5 3/4	
11'-5"	N/A	N/A	N/A	344*	N/A	3/8	24	22	2 3/8	4	5 3/4	12	2 5/8	3 15/16	5 3/4	12	3	4 1/2	5 3/4	9	2	3	5 3/4	
12'-5"	N/A	N/A	N/A	344*	N/A	3/8	24	9	2 3/8	4	5 3/4	11	2 5/8	3 15/16	5 3/4	11	3	4 1/2	5 3/4	8	2	3	5 3/4	
13'-5"	N/A	N/A	N/A	344*	N/A	3/8	24	11	2 3/8	5	5 3/4	10	2 5/8	3 15/16	5 3/4	10	3	4 1/2	5 3/4	8	2	3	5 3/4	
14'-5"	1 3/8	0.594	CP0629	344	12	3/8	18	14	2 3/8	5	5 3/4	10	2 5/8	3 15/16	5 3/4	10	3	4 1/2	5 3/4	11	2 1/2	3 3/4	5 3/4	
15'-5"	1 1/2	0.719	CP0629	344	12	3/8	18	36	2 3/8	4	5 3/4	16	2 5/8	3 15/16	5 3/4	16	3	4 1/2	5 3/4	11	2	3	5 3/4	
16'-5"	1 1/2	0.719	CP0629	344	12	3/8	18	36	2 3/8	4	5 3/4	13	2 5/8	3 15/16	5 3/4	13	3	4 1/2	5 3/4	8	2	3	5 3/4	
17'-5"	1 1/2	0.719	CP0629	344	12	3/8	15	N/A				9	2 5/8	3 15/16	5 3/4	9	3	4 1/2	5 3/4	5	2	3	5 3/4	
18'-5"	1 1/2	0.719	CP0629	344	11	3/8	12	N/A				7	2 5/8	3 15/16	5 3/4	7	3	4 1/2	5 3/4	4	2	3	5 3/4	
19'-5"	2	1.219	CP0629	445	12	1/2	18	36	3 5/8	6	6 13/16	19	4 1/2	6 3/4	6 13/16	15	4 1/8	6 3/16	6 13/16	8	2 1/2	3 3/4	6 13/16	
20'-5"	2	1.219	CP0629	445	12	1/2	18	36	3 5/8	6	6 13/16	15	4 1/2	6 3/4	6 13/16	12	4 1/8	6 3/16	6 13/16	7	2 1/2	3 3/4	6 13/16	
21'-5"	2	1.219	CP0629	445	11	1/2	18	28	3 5/8	6	6 13/16	13	4 1/2	6 3/4	6 13/16	10	4 1/8	6 3/16	6 13/16	6	2 1/2	3 3/4	6 13/16	
22'-5"	2	1.156	CP0630	445	10	1/2	17	28	3 5/8	8	6 13/16	11	4 1/2	6 3/4	6 13/16	9	4 1/8	6 3/16	6 13/16	7	3 1/2	5 1/4	6 13/16	
23'-5"	2	1.156	CP0630	445	9	1/2	15	N/A				10	4 1/2	6 3/4	6 13/16	8	4 1/8	6 3/16	6 13/16	6	3 1/2	5 1/4	6 13/16	
24'-5"	2	1.156	CP0630	445	9	1/2	14	N/A				9	4 1/2	6 3/4	6 13/16	7	4 1/8	6 3/16	6 13/16	6	3 1/2	5 1/4	6 13/16	
25'-5"	2	1.156	CP0630	446	8	5/8	18	N/A				11	4 1/2	6 3/4	6 7/8	N/A				7	4	6	6 7/8	
26'-5"	2	1.156	CP0630	446	8	5/8	18	N/A				10	4 1/2	6 3/4	6 7/8	N/A				9	5	7 1/2	6 7/8	
27'-5"	2	1.156	CP0630	446	7	5/8	17	N/A				9	4 1/2	6 3/4	6 7/8	N/A				8	5	7 1/2	6 7/8	
28'-5"	2	1.156	CP0630 & CP0647	546	7	5/8	16	N/A				9	4 1/2	6 3/4	6 7/8	N/A				8	5	7 1/2	6 7/8	
29'-5"	2	1.156	CP0630 & CP0647	546	7	5/8	15	N/A				8	4 1/2	6 3/4	6 7/8	N/A				7	5	7 1/2	6 7/8	
30'-5"	2	1.156	CP0630 & CP0647	546	7	5/8	14	N/A				8	4 1/2	6 3/4	6 7/8	N/A				N/A				
31'-5"	2 1/2	1.656	CP0630 & CP0647	548	7	3/4	18	22	5 5/8	8	7 1/2	11	5	7 1/2	7 1/2	13	6 5/8	9 15/16	7 1/2	N/A				
32'-5"	2 1/2	1.656	CP0630 & CP0647	548	7	3/4	18	N/A				11	5	7 1/2	7 1/2	12	6 5/8	9 15/16	7 1/2	N/A				
33'-5"	2 1/2	1.656	CP0630 & CP0647	548	7	3/4	18	N/A				10	5	7 1/2	7 1/2	11	6 5/8	9 15/16	7 1/2	N/A				
34'-5"	2 1/2	1.656	CP0630 & CP0647	548	7	3/4	18	N/A				10	5	7 1/2	7 1/2	11	6 5/8	9 15/16	7 1/2	N/A				
35'-5"	2 1/2	1.656	CP0630 & CP0647	548	6	3/4	18	N/A				9	5	7 1/2	7 1/2	10	6 5/8	9 15/16	7 1/2	N/A				
36'-5"	2 1/2	1.656	CP0630 & CP0647	548	6	3/4	18	N/A				9	5	7 1/2	7 1/2	10	6 5/8	9 15/16	7 1/2	N/A				
37'-5"	2 1/2	1.656	CP0630 & CP0647	548	6	3/4	17	N/A				8	5	7 1/2	7 1/2	9	6 5/8	9 15/16	7 1/2	N/A				
38'-5"	2 1/2	1.656	CP0630 & CP0647	548	6	3/4	16	N/A				8	5	7 1/2	7 1/2	7	6 5/8	9 15/16	7 1/2	N/A				
39'-5"	2 1/2	1.656	CP0630 & CP0647	648	6	3/4	16	N/A				8	5	7 1/2	7 1/2	6	6 5/8	9 15/16	7 1/2	N/A				
40'-5"	2 1/2	1.656	CP0630 & CP0647	648	6	3/4	15	N/A				7	5	7 1/2	7 1/2	5	6 5/8	9 15/16	7 1/2	N/A				



	24 ELMWOOD AVE 1901 S. LITCHFIELD RD MOUNTAINTOP, PA GOODYEAR, AZ		Unless otherwise specified, dimensions are in inches & tolerances are:  0.000 = +/- 0.031 FRACTIONAL = +/- 1/32 ANGLES = +/- 1/2 DEG		
	P: 800.233.8366 F: 800.526.0841 E: ADS@CORNELLIRON.COM				
TITLE: WIND LOAD CONFIGURATION INSULATED ROLLING STEEL DOOR CP0001/CP0651 SLAT IMPACT RATED		DRAWN BY: TJE	SIZE: B	SCALE: AS NOTED	SHEET: 13/40
		DWG NO: ES-16-63-CIW			

L/TR	REVISION	DATE	BY	E.C.O.
*	ORIGINAL ISSUE	10/16/14	TJE	1615
A	REMOVED SPECIFIC ENDLOCK, ADD INNER ANGLE NOTE	12/11/17	CJR	1663
B	REVISED BOTTOM BAR DETAIL; HOOD SUPPORT UPDATE	02/19/20	MAN	2027

CP0001/CP0651 - 0.0296/0.0220 Minimum Thickness Galvanized or Stainless Steel - 30 PSF, Cont.

DBG Up To	Filled CMU												Cracked Concrete Minimum 3,000 PSI Compressive Strength												Steel (Wall anchors are the same diameter as assembly fasteners)						Superimposed Loads					
	Hilti Kwik Bolt 3				Simpson Strong-Bolt 2				Through Bolt				Hilti Kwik Bolt TZ				Simpson Strong-Bolt 2				ITW Redhead Trubolt+						Welded		Through Bolt		Tapped		Vx (+)	Vy (+)	Vx (-)	Vy (-)
	Max O.C.	Dia.	Embed	Edge Dist	Max O.C.	Dia.	Embed	Edge Dist	Max. O.C.	Dia.	Edge Distance	Max O.C.	Dia.	Embed.	Min Wall Thick.	Edge Dist	Max O.C.	Dia.	Embed.	Min Wall Thick.	Edge Dist	Max O.C.	Dia.	Embed.	Min Wall Thick.	Edge Dist	Max O.C.	Slot Size	Max O.C.	Max O.C.	Min. Thickness					
5'-5"	14	3/8	2 1/2	5 3/4	10	3/8	2 5/8	5 3/4	25	3/8	5 3/4	36	3/8	2 5/16	4	5 3/4	28 1/2	3/8	1 7/8	3 1/4	5 3/4	36	3/8	2	5	5 3/4	36	7/16 x 5/8	36	36	3/16	0	83	0	82	
6'-5"	12	3/8	2 1/2	5 3/4	8	3/8	2 5/8	5 3/4	21	3/8	5 3/4	19	3/8	2 5/16	4	5 3/4	36	3/8	2 7/8	4 1/2	5 3/4	36	3/8	2	5	5 3/4	36	7/16 x 5/8	36	36	3/16	0	98	0	97	
7'-5"	10	3/8	2 1/2	5 3/4	9	1/2	3 1/2	5 3/4	18	3/8	5 3/4	10 5/16	3/8	2 5/16	5	5 3/4	36	3/8	2 7/8	4 1/2	5 3/4	14 1/4	3/8	2	5	5 3/4	36	7/16 x 5/8	36	36	3/16	0	113	0	112	
8'-5"	9	3/8	2 1/2	5 3/4	15	3/4	5 1/4	5 3/4	16	3/8	5 3/4	36	1/2	3 5/8	6	5 3/4	36	3/8	2 7/8	4 1/2	5 3/4	36	1/2	2 1/2	4	5 3/4	36	7/16 x 5/8	36	36	3/16	0	128	0	127	
9'-5"	8	3/8	2 1/2	5 3/4	13	3/4	5 1/4	5 3/4	14	3/8	5 3/4	36	1/2	3 5/8	6	5 3/4	36	3/8	2 7/8	4 1/2	5 3/4	28 1/2	1/2	2 1/2	4	5 3/4	36	7/16 x 5/8	36	36	3/16	0	143	0	142	
10'-5"	8	1/2	3 1/2	5 3/4	12	3/4	5 1/4	5 3/4	13	3/8	5 3/4	28 1/2	1/2	3 5/8	6	5 3/4	36	3/8	2 7/8	4 1/2	5 3/4	10 5/16	1/2	2 1/2	4	5 3/4	36	7/16 x 5/8	36	36	3/16	0	158	0	157	
11'-5"	8	1/2	3 1/2	5 3/4	11	3/4	5 1/4	5 3/4	12	3/8	5 3/4	16 1/4	1/2	3 5/8	6	5 3/4	36	3/8	2 7/8	4 1/2	5 3/4	22 3/4	1/2	3 3/4	8	5 3/4	36	7/16 x 5/8	36	36	3/16	0	173	0	172	
12'-5"	8	3/4	3 1/4	5 3/4	10	3/4	5 1/4	5 3/4	11	3/8	5 3/4	36	1/2	3 5/8	8	5 3/4	36	3/8	2 7/8	4 1/2	5 3/4	36	3/4	4 3/8	7	5 3/4	36	7/16 x 5/8	36	36	3/16	0	188	0	187	
13'-5"	12	3/4	4 3/8	5 3/4	9	3/4	5 1/4	5 3/4	10	3/8	5 3/4	28 1/2	1/2	3 5/8	8	5 3/4	22 3/4	1/2	3 7/8	6	5 3/4	36	3/4	4 3/8	7	5 3/4	36	7/16 x 5/8	36	36	3/16	0	203	0	202	
14'-5"	12	3/4	4 3/8	5 3/4	9	3/4	5 1/4	5 3/4	10	3/8	5 3/4	28 1/2	1/2	3 5/8	8	5 3/4	22 3/4	1/2	3 7/8	6	5 3/4	36	3/4	4 3/8	7	5 3/4	36	7/16 x 5/8	36	36	3/16	27	218	0	217	
15'-5"	9	3/8	2 1/2	5 3/4	14	3/4	5 1/4	5 3/4	16	3/8	5 3/4	36	1/2	3 5/8	6	5 3/4	36	3/8	2 7/8	4 1/2	5 3/4	36	1/2	2 1/2	4	5 3/4	36	7/16 x 5/8	36	36	3/16	163	233	141	232	
16'-5"	8	3/8	2 1/2	5 3/4	12	3/4	5 1/4	5 3/4	13	3/8	5 3/4	36	1/2	3 5/8	6	5 3/4	28 1/2	3/8	2 7/8	4 1/2	5 3/4	19	1/2	3 3/4	6	5 3/4	27	7/16 x 5/8	27	18	3/16	378	248	358	247	
17'-5"	10	3/4	4 3/8	5 3/4	8	3/4	5 1/4	5 3/4	9	3/8	5 3/4	36	3/4	5 9/16	8	5 3/4	28 1/2	3/4	4 1/8	6 3/4	5 3/4	28 1/2	3/4	4 3/8	7	5 3/4	18	7/16 x 5/8	18	12	3/16	578	263	560	262	
18'-5"	8	3/4	4 3/8	5 3/4	N/A				7	3/8	5 3/4	28 1/2	3/4	5 9/16	8	5 3/4	36	3/4	5 3/4	8 3/4	5 3/4	N/A						14	7/16 x 5/8	14	9	3/16	768	278	751	277
19'-5"	11	3/4	4 3/8	6 13/16	8	3/4	5 1/4	6 13/16	19	1/2	6 13/16	22 3/4	1/2	3 5/8	8	6 13/16	36	3/4	4 1/8	6 3/4	6 13/16	36	3/4	4 3/8	7	6 13/16	36	9/16 x 3/4	36	23	1/4	587	291	577	292	
20'-5"	9	3/4	4 3/8	6 13/16	N/A				15	1/2	6 13/16	36	3/4	5 9/16	8	6 13/16	36	3/4	5 3/4	8 3/4	6 13/16	28 1/2	1/2	3/4	4 3/8	8	6 13/16	33	9/16 x 3/4	33	18	1/4	734	306	724	307
21'-5"	8	3/4	4 3/8	6 13/16	N/A				13	1/2	6 13/16	28 1/2	3/4	5 9/16	8	6 13/16	36	3/4	5 3/4	8 3/4	6 13/16	N/A						28	9/16 x 3/4	28	15	1/4	876	321	866	322
22'-5"	N/A				N/A				11	1/2	6 13/16	N/A				N/A				N/A						23	9/16 x 3/4	23	13	1/4	1054	336	1044	337		
23'-5"	N/A				N/A				10	1/2	6 13/16	N/A				N/A				N/A						20	9/16 x 3/4	20	11	1/4	1191	352	1181	352		
24'-5"	N/A				N/A				9	1/2	6 13/16	N/A				N/A				N/A						18	9/16 x 3/4	18	10	1/4	1326	367	1316	367		
25'-5"	N/A				N/A				11	5/8	6 7/8	N/A				N/A				N/A						25	11/16 x 7/8	25	14	5/16	1459	382	1450	383		
26'-5"	N/A				N/A				10	5/8	6 7/8	N/A				N/A				N/A						23	11/16 x 7/8	23	13	5/16	1591	397	1582	398		
27'-5"	N/A				N/A				9	5/8	6 7/8	N/A				N/A				N/A						21	11/16 x 7/8	21	12	5/16	1723	412	1713	413		
28'-5"	N/A				N/A				9	5/8	6 7/8	N/A				N/A				N/A						20	11/16 x 7/8	20	11	5/16	1854	427	1844	428		
29'-5"	N/A				N/A				8	5/8	6 7/8	N/A				N/A				N/A						18	11/16 x 7/8	18	10	5/16	1985	442	1975	443		
30'-5"	N/A				N/A				8	5/8	6 7/8	N/A				N/A				N/A						17	11/16 x 7/8	17	9	5/16	2116	458	2107	459		
31'-5"	N/A				N/A				11	3/4	7 1/2	N/A				N/A				N/A						36	13/16 x 1	36	24	3/8	1836	471	1827	472		
32'-5"	N/A				N/A				11	3/4	7 1/2	N/A				N/A				N/A						36	13/16 x 1	36	22	3/8	1948	487	1939	487		
33'-5"	N/A				N/A				10	3/4	7 1/2	N/A				N/A				N/A						36	13/16 x 1	36	21	3/8	2061	502	2052	502		
34'-5"	N/A				N/A				10	3/4	7 1/2	N/A				N/A				N/A						36	13/16 x 1	36	20	3/8	2174	517	2165	517		
35'-5"	N/A				N/A				9	3/4	7 1/2	N/A				N/A				N/A						36	13/16 x 1	36	19	3/8	2288	532	2279	533		
36'-5"	N/A				N/A				9	3/4	7 1/2	N/A				N/A				N/A						34	13/16 x 1	34	18	3/8	2402	547	2393	548		
37'-5"	N/A				N/A				8	3/4	7 1/2	N/A				N/A				N/A						32	13/16 x 1	32	17	3/8	2517	563	2508	563		
38'-5"	N/A				N/A				8	3/4	7 1/2	N/A				N/A				N/A						31	13/16 x 1	31	17	3/8	2633	578	2624	578		
39'-5"	N/A				N/A				8	3/4	7 1/2	N/A				N/A				N/A						30	13/16 x 1	30	16	3/8	2749	593	2740	594		
40'-5"	N/A				N/A				7	3/4	7 1/2	N/A				N/A				N/A						28	13/16 x 1	28	15	3/8	2866	609	2857	609		



24 ELMWOOD AVE 1901 S. LITCHFIELD RD  
MOUNTAINTOP, PA GOODYEAR, AZ

P: 800.233.8366  
F: 800.526.0841  
E: ADS@CORNELLIRON.COM

Unless otherwise specified, dimensions are in inches & tolerances are:

0.000 = +/- 0.031  
FRACTIONAL = +/- 1/32  
ANGLES = +/- 1/2 DEG

TITLE: WIND LOAD CONFIGURATION  
INSULATED ROLLING STEEL DOOR  
CP0001/CP0651 SLAT IMPACT RATED

DRAWN BY: TJE  
SCALE: B AS NOTED  
SHEET: 14/40

DWG NO: ES-16-63-CIW

L'TR	REVISION	DATE	BY	E.C.O.
*	ORIGINAL ISSUE	10/16/14	TJE	1615
A	REMOVED SPECIFIC ENDLOCK, ADD INNER ANGLE NOTE	12/11/17	CJR	1663
B	REVISED BOTTOM BAR DETAIL; HOOD SUPPORT UPDATE	02/19/20	MAN	2027

CP0001/CP0651 - 0.0296/0.0220 Minimum Thickness Galvanized or Stainless Steel - 40 PSF																							
Concrete Minimum 3,000 PSI Compressive Strength (Anchors are the same diameter as assembly fasteners)																							
DBG Up To	Windlock Flat Location	Slip	Windlock	Guide Assembly	Windlock Weld Pitch	Assembly Fastener Diameter	Assembly Fastener Spacing	Hilti Kwik Bolt 3				Simpson Wedge All				Red Head Tru-Bolt				Powers Wedge-Bolt			
								Max O.C.	Embed	Min. Wall Thick.	Edge Dist	Max O.C.	Embed	Min. Wall Thick.	Edge Dist	Max O.C.	Embed	Min. Wall Thick.	Edge Dist	Max O.C.	Embed	Min. Wall Thick.	Edge Dist
5'-5"	N/A	N/A	N/A	344*	N/A	3/8	24	36	2 3/8	4	5 3/4	19	2 5/8	3 15/16	5 3/4	19	3	4 1/2	5 3/4	15	2	3	5 3/4
6'-5"	N/A	FALSE	N/A	344*	N/A	3/8	24	36	2 3/8	4	5 3/4	16	2 5/8	3 15/16	5 3/4	16	3	4 1/2	5 3/4	12	2	3	5 3/4
7'-5"	N/A	FALSE	N/A	344*	N/A	3/8	24	36	2 3/8	4	5 3/4	14	2 5/8	3 15/16	5 3/4	14	3	4 1/2	5 3/4	11	2	3	5 3/4
8'-5"	N/A	FALSE	N/A	344*	N/A	3/8	24	22	2 3/8	4	5 3/4	12	2 5/8	3 15/16	5 3/4	12	3	4 1/2	5 3/4	9	2	3	5 3/4
9'-5"	N/A	FALSE	N/A	344*	N/A	3/8	24	8	2 3/8	4	5 3/4	11	2 5/8	3 15/16	5 3/4	11	3	4 1/2	5 3/4	8	2	3	5 3/4
10'-5"	N/A	FALSE	N/A	344*	N/A	3/8	24	7	2 3/8	5	5 3/4	10	2 5/8	3 15/16	5 3/4	10	3	4 1/2	5 3/4	7	2	3	5 3/4
11'-5"	N/A	FALSE	N/A	344*	N/A	3/8	24	N/A				9	2 5/8	3 15/16	5 3/4	9	3	4 1/2	5 3/4	7	2	3	5 3/4
12'-5"	1 5/16	0.532	CP0629	DC1	12	1/2	18	16	3 1/2	5 1/4	5 3/4	16	4 1/2	6 3/4	5 3/4	N/A				N/A			
14'-5"	1 3/8	0.593	CP0629	344	12	3/8	18	28	2 3/8	4	5 3/4	13	2 5/8	3 15/16	5 3/4	13	3	4 1/2	5 3/4	8	2	3	5 3/4
15'-5"	1 1/2	0.719	CP0629	344	12	3/8	15	N/A				9	2 5/8	3 15/16	5 3/4	10	3	4 1/2	5 3/4	6	2	3	5 3/4
16'-5"	1 1/2	0.719	CP0629	344	11	3/8	11	N/A				7	2 5/8	3 15/16	5 3/4	7	3	4 1/2	5 3/4	5	2 1/2	3 3/4	5 3/4
17'-5"	1 3/4	0.969	CP0629	445	11	1/2	18	36	3 5/8	6	6 13/16	15	4 1/2	6 3/4	6 13/16	12	4 1/8	6 3/16	6 13/16	6	2 1/2	3 3/4	6 13/16
18'-5"	1 7/8	1.094	CP0629	445	11	1/2	18	28	3 5/8	6	6 13/16	13	4 1/2	6 3/4	6 13/16	10	4 1/8	6 3/16	6 13/16	6	2 1/2	3 3/4	6 13/16
19'-5"	2	1.156	CP0630	445	10	1/2	16	28	3 5/8	8	6 13/16	11	4 1/2	6 3/4	6 13/16	9	4 1/8	6 3/16	6 13/16	7	3 1/2	5 1/4	6 13/16
20'-5"	2	1.156	CP0630	445	9	1/2	14	N/A				9	4 1/2	6 3/4	6 13/16	7	4 1/8	6 3/16	6 13/16	6	3 1/2	5 1/4	6 13/16
21'-5"	2	1.156	CP0630	445	8	1/2	13	N/A				8	4 1/2	6 3/4	6 13/16	6	4 1/8	6 3/16	6 13/16	7	4	6	6 13/16
22'-5"	2	1.156	CP0630	446	8	5/8	18	N/A				10	4 1/2	6 3/4	6 7/8	N/A				9	5	7 1/2	6 7/8
23'-5"	2	1.156	CP0630	546	7	5/8	17	N/A				9	4 1/2	6 3/4	6 7/8	N/A				8	5	7 1/2	6 7/8
24'-5"	2	1.156	CP0630 & CP0647	546	7	5/8	15	N/A				8	4 1/2	6 3/4	6 7/8	N/A				7	5	7 1/2	6 7/8
25'-5"	2	1.156	CP0630 & CP0647	546	7	5/8	14	N/A				8	4 1/2	6 3/4	6 7/8	N/A				N/A			
26'-5"	2 1/2	1.656	CP0630 & CP0647	548	7	3/4	18	22	5 5/8	8	7 1/2	11	5	7 1/2	7 1/2	13	6 5/8	9 15/16	7 1/2	N/A			
27'-5"	2 1/2	1.656	CP0630 & CP0647	548	7	3/4	18	N/A				11	5	7 1/2	7 1/2	12	6 5/8	9 15/16	7 1/2	N/A			
28'-5"	2 1/2	1.656	CP0630 & CP0647	548	7	3/4	18	N/A				10	5	7 1/2	7 1/2	11	6 5/8	9 15/16	7 1/2	N/A			
29'-5"	2 1/2	1.656	CP0630 & CP0647	548	6	3/4	18	N/A				9	5	7 1/2	7 1/2	10	6 5/8	9 15/16	7 1/2	N/A			
30'-5"	2 1/2	1.656	CP0630 & CP0647	548	6	3/4	18	N/A				9	5	7 1/2	7 1/2	10	6 5/8	9 15/16	7 1/2	N/A			
31'-5"	2 1/2	1.656	CP0630 & CP0647	548	6	3/4	17	N/A				8	5	7 1/2	7 1/2	8	6 5/8	9 15/16	7 1/2	N/A			
32'-5"	2 1/2	1.656	CP0630 & CP0647	648	6	3/4	16	N/A				8	5	7 1/2	7 1/2	7	6 5/8	9 15/16	7 1/2	N/A			
33'-5"	2 1/2	1.656	CP0630 & CP0647	648	6	3/4	15	N/A				7	5	7 1/2	7 1/2	5	6 5/8	9 15/16	7 1/2	N/A			
34'-5"	2 1/2	1.656	CP0630 & CP0647	648	6	3/4	14	N/A				7	5	7 1/2	7 1/2	N/A				N/A			
35'-5"	2 1/2	1.656	CP0630 & CP0647	648	5	3/4	14	N/A				7	5	7 1/2	7 1/2	N/A				N/A			
36'-5"	2 1/2	1.656	CP0630 & CP0647	648	5	3/4	13	N/A				N/A				N/A				N/A			
37'-5"	2 1/2	1.656	CP0630 & CP0647	648	5	3/4	13	N/A				N/A				N/A				N/A			



	24 ELMWOOD AVE 1901 S. LITCHFIELD RD MOUNTAINTOP, PA GOODYEAR, AZ	Unless otherwise specified, dimensions are in inches & tolerances are:  0.000 = +/- 0.031 FRACTIONAL = +/- 1/32 ANGLES = +/- 1/2 DEG
	P: 800.233.8366 F: 800.526.0841 E: ADS@CORNELLIRON.COM	TITLE: WIND LOAD CONFIGURATION INSULATED ROLLING STEEL DOOR CP0001/CP0651 SLAT IMPACT RATED

L'TR	REVISION	DATE	BY	E.C.O.
*	ORIGINAL ISSUE	10/16/14	TJE	1615
A	REMOVED SPECIFIC ENDLOCK, ADD INNER ANGLE NOTE	12/11/17	CJR	1663
B	REVISED BOTTOM BAR DETAIL; HOOD SUPPORT UPDATE	02/19/20	MAN	2027

CP0001/CP0651 - 0.0296/0.0220 Minimum Thickness Galvanized or Stainless Steel - 40 PSF, Cont.

DBG Up To	Filled CMU												Cracked Concrete Minimum 3,000 PSI Compressive Strength												Steel (Wall anchors are the same diameter as assembly fasteners)						Superimposed Loads				
	Hilti Kwik Bolt 3				Simpson Strong-Bolt 2				Through Bolt				Hilti Kwik Bolt TZ				Simpson Strong-Bolt 2				ITW Redhead Trubolt+				Welded		Through Bolt	Tapped							
	Max O.C.	Dia.	Embed	Edge Dist	Max O.C.	Dia.	Embed	Edge Dist	Max. O.C.	Dia.	Edge Distance	Max O.C.	Dia.	Embed.	Min Wall Thick.	Edge Dist	Max O.C.	Dia.	Embed.	Min Wall Thick.	Edge Dist	Max O.C.	Dia.	Embed.	Min Wall Thick.	Edge Dist	Max O.C.	Slot Size	Max O.C.	Max O.C.	Min. Thickness	Vx (+)	Vy (+)	Vx (-)	Vy (-)
5'-5"	10	3/8	2 1/2	5 3/4	9	1/2	3 1/2	5 3/4	19	3/8	5 3/4	12 5/8	3/8	2 5/16	5	5 3/4	36	3/8	2 7/8	4 1/2	5 3/4	16 1/4	3/8	2	5	5 3/4	36	7/16 x 5/8	36	36	3/16	0	110	0	109
6'-5"	9	3/8	2 1/2	5 3/4	15	3/4	5 1/4	5 3/4	16	3/8	5 3/4	36	1/2	3 5/8	6	5 3/4	36	3/8	2 7/8	4 1/2	5 3/4	36	1/2	2 1/2	4	5 3/4	36	7/16 x 5/8	36	36	3/16	0	130	0	129
7'-5"	8	3/8	2 1/2	5 3/4	13	3/4	5 1/4	5 3/4	14	3/8	5 3/4	36	1/2	3 5/8	6	5 3/4	36	3/8	2 7/8	4 1/2	5 3/4	16 1/4	1/2	2 1/2	4	5 3/4	36	7/16 x 5/8	36	36	3/16	0	150	0	149
8'-5"	8	1/2	3 1/2	5 3/4	11	3/4	5 1/4	5 3/4	12	3/8	5 3/4	19	1/2	3 5/8	6	5 3/4	36	3/8	2 7/8	4 1/2	5 3/4	22 3/4	1/2	3 3/4	8	5 3/4	36	7/16 x 5/8	36	36	3/16	0	170	0	169
9'-5"	8	3/4	3 1/4	5 3/4	10	3/4	5 1/4	5 3/4	11	3/8	5 3/4	36	1/2	3 5/8	8	5 3/4	36	3/8	2 7/8	4 1/2	5 3/4	36	3/4	4 3/8	7	5 3/4	36	7/16 x 5/8	36	36	3/16	0	190	0	189
10'-5"	12	3/4	4 3/8	5 3/4	9	3/4	5 1/4	5 3/4	10	3/8	5 3/4	19	1/2	3 5/8	8	5 3/4	16 1/4	1/2	3 7/8	6	5 3/4	36	3/4	4 3/8	7	5 3/4	36	7/16 x 5/8	36	36	3/16	0	210	0	209
11'-5"	11	3/4	4 3/8	5 3/4	8	3/4	5 1/4	5 3/4	9	3/8	5 3/4	36	3/4	5 9/16	8	5 3/4	22 3/4	3/4	4 1/8	6 3/4	5 3/4	22 3/4	3/4	4 3/8	7	5 3/4	36	7/16 x 5/8	36	36	3/16	0	230	0	229
12'-5"	8	1/2	3 1/2	5 3/4	8	1/2	4 1/2	5 3/4	N/A				N/A				N/A				N/A				18	9/16 x 3/4	18	18	1/4	0	250	0	248		
14'-5"	9	1/2	3 1/2	5 3/4	11	3/4	5 1/4	5 3/4	13	3/8	5 3/4	36	1/2	3 5/8	6	5 3/4	28 1/2	1/2	2 3/4	4 1/2	5 3/4	36	1/2	3 3/4	8	5 3/4	26	7/16 x 5/8	26	17	3/16	389	290	359	289
15'-5"	11	3/4	4 3/8	5 3/4	9	3/4	5 1/4	5 3/4	9	3/8	5 3/4	22 3/4	1/2	3 5/8	8	5 3/4	36	3/4	4 1/8	6 3/4	5 3/4	36	3/4	4 3/8	7	5 3/4	20	7/16 x 5/8	20	13	3/16	525	310	500	309
16'-5"	8	3/4	4 3/8	5 3/4	N/A				7	3/8	5 3/4	28 1/2	3/4	5 9/16	8	5 3/4	36	3/4	5 3/4	8 3/4	5 3/4	N/A				13	7/16 x 5/8	13	9	3/16	776	330	753	330	
17'-5"	9	3/4	4 3/8	6 13/16	N/A				15	1/2	6 13/16	36	3/4	5 9/16	8	6 13/16	36	3/4	5 3/4	8 3/4	6 13/16	22 3/4	3/4	4 3/8	8	6 13/16	32	9/16 x 3/4	32	18	1/4	767	349	750	349
18'-5"	8	3/4	4 3/8	6 13/16	N/A				13	1/2	6 13/16	28 1/2	3/4	5 9/16	8	6 13/16	36	3/4	5 3/4	8 3/4	6 13/16	N/A				28	9/16 x 3/4	28	15	1/4	876	368	862	369	
19'-5"	N/A				N/A				11	1/2	6 13/16	N/A				N/A				N/A				24	9/16 x 3/4	24	13	1/4	1021	388	1008	389			
20'-5"	N/A				N/A				9	1/2	6 13/16	N/A				N/A				N/A				20	9/16 x 3/4	20	11	1/4	1202	408	1189	409			
21'-5"	N/A				N/A				8	1/2	6 13/16	N/A				N/A				N/A				18	9/16 x 3/4	18	10	1/4	1378	428	1366	429			
22'-5"	N/A				N/A				10	5/8	6 7/8	N/A				N/A				N/A				24	11/16 x 7/8	24	13	5/16	1551	449	1539	450			
23'-5"	N/A				N/A				9	5/8	6 7/8	N/A				N/A				N/A				21	11/16 x 7/8	21	12	5/16	1722	469	1710	470			
24'-5"	N/A				N/A				8	5/8	6 7/8	N/A				N/A				N/A				19	11/16 x 7/8	19	11	5/16	1891	489	1879	490			
25'-5"	N/A				N/A				8	5/8	6 7/8	N/A				N/A				N/A				18	11/16 x 7/8	18	10	5/16	2059	509	2047	510			
26'-5"	N/A				N/A				11	3/4	7 1/2	N/A				N/A				N/A				36	13/16 x 1	36	24	3/8	1803	528	1791	528			
27'-5"	N/A				N/A				11	3/4	7 1/2	N/A				N/A				N/A				36	13/16 x 1	36	22	3/8	1947	548	1935	549			
28'-5"	N/A				N/A				10	3/4	7 1/2	N/A				N/A				N/A				36	13/16 x 1	36	21	3/8	2090	568	2078	569			
29'-5"	N/A				N/A				9	3/4	7 1/2	N/A				N/A				N/A				36	13/16 x 1	36	20	3/8	2233	589	2222	589			
30'-5"	N/A				N/A				9	3/4	7 1/2	N/A				N/A				N/A				34	13/16 x 1	34	18	3/8	2377	609	2366	609			
31'-5"	N/A				N/A				8	3/4	7 1/2	N/A				N/A				N/A				32	13/16 x 1	32	17	3/8	2522	629	2510	630			
32'-5"	N/A				N/A				8	3/4	7 1/2	N/A				N/A				N/A				30	13/16 x 1	30	16	3/8	2667	649	2656	650			
33'-5"	N/A				N/A				7	3/4	7 1/2	N/A				N/A				N/A				29	13/16 x 1	29	15	3/8	2813	670	2802	670			
34'-5"	N/A				N/A				7	3/4	7 1/2	N/A				N/A				N/A				27	13/16 x 1	27	15	3/8	2960	690	2949	691			
35'-5"	N/A				N/A				7	3/4	7 1/2	N/A				N/A				N/A				26	13/16 x 1	26	14	3/8	3108	710	3097	711			
36'-5"	N/A				N/A				N/A				N/A				N/A				N/A				25	13/16 x 1	25	13	3/8	3257	731	3246	731		
37'-5"	N/A				N/A				N/A				N/A				N/A				N/A				24	13/16 x 1	24	13	3/8	3407	751	3396	752		



	24 ELMWOOD AVE 1901 S. LITCHFIELD RD MOUNTAINTOP, PA GOODYEAR, AZ	Unless otherwise specified, dimensions are in inches & tolerances are:  0.000 = +/- 0.031 FRACTIONAL = +/- 1/32 ANGLES = +/- 1/2 DEG
	P: 800.233.8366 F: 800.526.0841 E: ADS@CORNELLIRON.COM	TITLE: WIND LOAD CONFIGURATION INSULATED ROLLING STEEL DOOR CP0001/CP0651 SLAT IMPACT RATED
	SIZE: B SCALE: AS NOTED SHEET: 16/40	



L'TR	REVISION	DATE	BY	E.C.O.
*	ORIGINAL ISSUE	10/16/14	TJE	1615
A	REMOVED SPECIFIC ENDLOCK, ADD INNER ANGLE NOTE	12/11/17	CJR	1663
B	REVISED BOTTOM BAR DETAIL; HOOD SUPPORT UPDATE	02/19/20	MAN	2027

CP0001/CP0651 - 0.0296/0.0220 Minimum Thickness Galvanized or Stainless Steel - 50 PSF																							
Concrete Minimum 3,000 PSI Compressive Strength (Anchors are the same diameter as assembly fasteners)																							
DBG Up To	Windlock Flat Location	Slip	Windlock	Guide Assembly	Windlock Weld Pitch	Assembly Fastener Diameter	Assembly Fastener Spacing	Hilti Kwik Bolt 3				Simpson Wedge All				Red Head Tru-Bolt				Powers Wedge-Bolt			
								Max O.C.	Embed	Min. Wall Thick.	Edge Dist	Max O.C.	Embed	Min. Wall Thick.	Edge Dist	Max O.C.	Embed	Min. Wall Thick.	Edge Dist	Max O.C.	Embed	Min. Wall Thick.	Edge Dist
5'-5"	N/A	N/A	N/A	344*	N/A	3/8	24	36	2 3/8	4	5 3/4	15	2 5/8	3 15/16	5 3/4	15	3	4 1/2	5 3/4	12	2	3	5 3/4
6'-5"	N/A	N/A	N/A	344*	N/A	3/8	24	28	2 3/8	4	5 3/4	12	2 5/8	3 15/16	5 3/4	13	3	4 1/2	5 3/4	10	2	3	5 3/4
7'-5"	N/A	N/A	N/A	344*	N/A	3/8	24	9	2 3/8	4	5 3/4	11	2 5/8	3 15/16	5 3/4	11	3	4 1/2	5 3/4	8	2	3	5 3/4
8'-5"	N/A	N/A	N/A	344*	N/A	3/8	24	N/A				9	2 5/8	3 15/16	5 3/4	10	3	4 1/2	5 3/4	7	2	3	5 3/4
9'-5"	N/A	N/A	N/A	344*	N/A	3/8	24	N/A				8	2 5/8	3 15/16	5 3/4	9	3	4 1/2	5 3/4	7	2	3	5 3/4
10'-5"	N/A	N/A	N/A	344*	N/A	3/8	24	N/A				8	2 5/8	3 15/16	5 3/4	8	3	4 1/2	5 3/4	6	2	3	5 3/4
12'-5"	1 5/16	0.532	CP0629	DC1	12	1/2	18	16	3 1/2	5 1/4	5 3/4	16	4 1/2	6 3/4	5 3/4	N/A				N/A			
14'-5"	1 5/16	0.532	CP0629	344	11	3/8	11	N/A				6	2 5/8	3 15/16	5 3/4	6	3	4 1/2	5 3/4	5	2 1/2	3 3/4	5 3/4
15'-5"	1 1/2	0.656	CP0630	445	10	1/2	18	36	3 5/8	8	6 13/16	12	4 1/2	6 3/4	6 13/16	9	4 1/8	6 3/16	6 13/16	8	3 1/2	5 1/4	6 13/16
16'-5"	1 5/8	0.781	CP0630	445	10	1/2	16	28	3 5/8	8	6 13/16	11	4 1/2	6 3/4	6 13/16	8	4 1/8	6 3/16	6 13/16	7	3 1/2	5 1/4	6 13/16
17'-5"	1 3/4	0.906	CP0630	445	9	1/2	14	N/A				9	4 1/2	6 3/4	6 13/16	7	4 1/8	6 3/16	6 13/16	6	3 1/2	5 1/4	6 13/16
18'-5"	1 7/8	1.031	CP0630	445	9	1/2	13	N/A				9	4 1/2	6 3/4	6 13/16	7	4 1/8	6 3/16	6 13/16	6	3 1/2	5 1/4	6 13/16
19'-5"	2	1.156	CP0630	446	8	5/8	18	N/A				11	4 1/2	6 3/4	6 7/8	N/A				7	4	6	6 7/8
20'-5"	2	1.156	CP0630	546	8	5/8	17	N/A				10	4 1/2	6 3/4	6 7/8	N/A				9	5	7 1/2	6 7/8
21'-5"	2	1.156	CP0630 & CP0647	546	7	5/8	15	N/A				8	4 1/2	6 3/4	6 7/8	N/A				8	5	7 1/2	6 7/8
22'-5"	2	1.156	CP0630 & CP0647	546	7	5/8	14	N/A				8	4 1/2	6 3/4	6 7/8	N/A				N/A			
23'-5"	2 1/2	1.656	CP0630 & CP0647	548	7	3/4	18	22	5 5/8	8	7 1/2	11	5	7 1/2	7 1/2	12	6 5/8	9 15/16	7 1/2	N/A			
24'-5"	2 1/2	1.656	CP0630 & CP0647	548	7	3/4	18	N/A				10	5	7 1/2	7 1/2	11	6 5/8	9 15/16	7 1/2	N/A			
25'-5"	2 1/2	1.656	CP0630 & CP0647	548	7	3/4	18	N/A				9	5	7 1/2	7 1/2	10	6 5/8	9 15/16	7 1/2	N/A			
26'-5"	2 1/2	1.656	CP0630 & CP0647	548	6	3/4	17	N/A				9	5	7 1/2	7 1/2	10	6 5/8	9 15/16	7 1/2	N/A			
27'-5"	2 1/2	1.656	CP0630 & CP0647	648	6	3/4	16	N/A				8	5	7 1/2	7 1/2	8	6 5/8	9 15/16	7 1/2	N/A			
28'-5"	2 1/2	1.656	CP0630 & CP0647	648	6	3/4	15	N/A				8	5	7 1/2	7 1/2	6	6 5/8	9 15/16	7 1/2	N/A			
29'-5"	2 1/2	1.656	CP0630 & CP0647	648	6	3/4	15	N/A				7	5	7 1/2	7 1/2	5	6 5/8	9 15/16	7 1/2	N/A			
30'-5"	2 1/2	1.656	CP0630 & CP0647	648	6	3/4	14	N/A				7	5	7 1/2	7 1/2	N/A				N/A			
31'-5"	2 1/2	1.656	CP0630 & CP0647	648	5	3/4	13	N/A				N/A				N/A				N/A			
32'-5"	2 1/2	1.656	CP0630 & CP0647	648	5	3/4	12	N/A				N/A				N/A				N/A			



	24 ELMWOOD AVE 1901 S. LITCHFIELD RD MOUNTAINTOP, PA GOODYEAR, AZ	Unless otherwise specified, dimensions are in inches & tolerances are:  0.000 = +/- 0.031 FRACTIONAL = +/- 1/32 ANGLES = +/- 1/2 DEG
	P: 800.233.8366 F: 800.526.0841 E: ADS@CORNELLIRON.COM	TITLE: WIND LOAD CONFIGURATION INSULATED ROLLING STEEL DOOR CP0001/CP0651 SLAT IMPACT RATED

L'TR	REVISION	DATE	BY	E.C.O.
*	ORIGINAL ISSUE	10/16/14	TJE	1615
A	REMOVED SPECIFIC ENDLOCK, ADD INNER ANGLE NOTE	12/11/17	CJR	1663
B	REVISED BOTTOM BAR DETAIL; HOOD SUPPORT UPDATE	02/19/20	MAN	2027

CP0001/CP0651 - 0.0296/0.0220 Minimum Thickness Galvanized or Stainless Steel - 50 PSF, Cont.																				
DBG Up To	Filled CMU											Steel (Wall anchors are the same diameter as assembly fasteners)					Superimposed Loads			
	Hilti Kwik Bolt 3				Simpson Strong-Bolt 2				Through Bolt			Welded		Through Bolt	Tapped		Vx (+)	Vy (+)	Vx (-)	Vy (-)
	Max O.C.	Dia.	Embed	Edge Dist	Max O.C.	Dia.	Embed	Edge Dist	Max. O.C.	Dia.	Edge Distance	Max O.C.	Slot Size	Max O.C.	Max O.C.	Min. Thickness				
5'-5"	8	3/8	2 1/2	5 3/4	14	3/4	5 1/4	5 3/4	15	3/8	5 3/4	36	7/16 x 5/8	36	36	3/16	0	138	0	136
6'-5"	8	1/2	3 1/2	5 3/4	12	3/4	5 1/4	5 3/4	12	3/8	5 3/4	36	7/16 x 5/8	36	36	3/16	0	163	0	161
7'-5"	8	3/4	3 1/4	5 3/4	10	3/4	5 1/4	5 3/4	11	3/8	5 3/4	36	7/16 x 5/8	36	36	3/16	0	188	0	186
8'-5"	11	3/4	4 3/8	5 3/4	9	3/4	5 1/4	5 3/4	9	3/8	5 3/4	36	7/16 x 5/8	36	36	3/16	0	213	0	211
9'-5"	10	3/4	4 3/8	5 3/4	8	3/4	5 1/4	5 3/4	8	3/8	5 3/4	36	7/16 x 5/8	36	36	3/16	0	238	0	236
10'-5"	9	3/4	4 3/8	5 3/4	N/A				8	3/8	5 3/4	36	7/16 x 5/8	36	36	3/16	0	263	0	261
12'-5"	8	1/2	3 1/2	5 3/4	8	1/2	4 1/2	5 3/4	N/A			18	9/16 x 3/4	18	18	1/4	105	312	62	310
14'-5"	N/A				N/A				6	3/8	5 3/4	12	7/16 x 5/8	12	8	3/16	854	363	819	362
15'-5"	N/A				N/A				12	1/2	6 13/16	25	9/16 x 3/4	25	14	1/4	971	387	945	387
16'-5"	N/A				N/A				11	1/2	6 13/16	22	9/16 x 3/4	22	12	1/4	1091	412	1069	412
17'-5"	N/A				N/A				9	1/2	6 13/16	20	9/16 x 3/4	20	11	1/4	1207	436	1187	437
18'-5"	N/A				N/A				9	1/2	6 13/16	18	9/16 x 3/4	18	10	1/4	1317	461	1300	462
19'-5"	N/A				N/A				11	5/8	6 7/8	26	11/16 x 7/8	26	14	5/16	1422	485	1407	486
20'-5"	N/A				N/A				10	5/8	6 7/8	23	11/16 x 7/8	23	12	5/16	1635	511	1620	512
21'-5"	N/A				N/A				8	5/8	6 7/8	20	11/16 x 7/8	20	11	5/16	1843	536	1828	537
22'-5"	N/A				N/A				8	5/8	6 7/8	18	11/16 x 7/8	18	10	5/16	2049	561	2034	562
23'-5"	N/A				N/A				11	3/4	7 1/2	36	13/16 x 1	36	24	3/8	1811	585	1796	585
24'-5"	N/A				N/A				10	3/4	7 1/2	36	13/16 x 1	36	22	3/8	1985	610	1971	610
25'-5"	N/A				N/A				9	3/4	7 1/2	36	13/16 x 1	36	20	3/8	2159	635	2145	635
26'-5"	N/A				N/A				9	3/4	7 1/2	35	13/16 x 1	35	19	3/8	2332	660	2318	661
27'-5"	N/A				N/A				8	3/4	7 1/2	32	13/16 x 1	32	17	3/8	2506	686	2492	686
28'-5"	N/A				N/A				8	3/4	7 1/2	30	13/16 x 1	30	16	3/8	2680	711	2666	711
29'-5"	N/A				N/A				7	3/4	7 1/2	28	13/16 x 1	28	15	3/8	2855	736	2841	737
30'-5"	N/A				N/A				7	3/4	7 1/2	27	13/16 x 1	27	14	3/8	3030	762	3017	762
31'-5"	N/A				N/A				N/A			25	13/16 x 1	25	13	3/8	3207	787	3194	788
32'-5"	N/A				N/A				N/A			24	13/16 x 1	24	13	3/8	3385	813	3372	813



	24 ELMWOOD AVE 1901 S. LITCHFIELD RD MOUNTAINTOP, PA GOODYEAR, AZ	Unless otherwise specified, dimensions are in inches & tolerances are:  0.000 = +/- 0.031 FRACTIONAL = +/- 1/32 ANGLES = +/- 1/2 DEG
	P: 800.233.8366 F: 800.526.0841 E: ADS@CORNELLIRON.COM	
TITLE: WIND LOAD CONFIGURATION INSULATED ROLLING STEEL DOOR CP0001/CP0651 SLAT IMPACT RATED	DRAWN BY: TJE DWG NO: ES-16-63-CIW	SIZE: B SCALE: AS NOTED SHEET: 18/40

L'TR	REVISION	DATE	BY	E.C.O.
*	ORIGINAL ISSUE	10/16/14	TJE	1615
A	REMOVED SPECIFIC ENDLOCK, ADD INNER ANGLE NOTE	12/11/17	CJR	1663
B	REVISED BOTTOM BAR DETAIL; HOOD SUPPORT UPDATE	02/19/20	MAN	2027

CP0001/CP0651 - 0.0296/0.0220 Minimum Thickness Galvanized or Stainless Steel - 60 PSF																							
Concrete Minimum 3,000 PSI Compressive Strength (Anchors are the same diameter as assembly fasteners)																							
DBG Up To	Windlock Flat Location	Slip	Windlock	Guide Assembly	Windlock Weld Pitch	Assembly Fastener Diameter	Assembly Fastener Spacing	Hilti Kwik Bolt 3				Simpson Wedge All				Red Head Tru-Bolt				Powers Wedge-Bolt			
								Max O.C.	Embed	Min. Wall Thick.	Edge Dist	Max O.C.	Embed	Min. Wall Thick.	Edge Dist	Max O.C.	Embed	Min. Wall Thick.	Edge Dist	Max O.C.	Embed	Min. Wall Thick.	Edge Dist
5'-5"	N/A	N/A	N/A	344*	N/A	3/8	24	28	2 3/8	4	5 3/4	12	2 5/8	3 15/16	5 3/4	13	3	4 1/2	5 3/4	10	2	3	5 3/4
6'-5"	N/A	N/A	N/A	344*	N/A	3/8	24	16	2 3/8	5	5 3/4	10	2 5/8	3 15/16	5 3/4	11	3	4 1/2	5 3/4	8	2	3	5 3/4
7'-5"	N/A	N/A	N/A	344*	N/A	3/8	24	N/A				9	2 5/8	3 15/16	5 3/4	9	3	4 1/2	5 3/4	7	2	3	5 3/4
8'-5"	N/A	N/A	N/A	344*	N/A	3/8	24	N/A				8	2 5/8	3 15/16	5 3/4	8	3	4 1/2	5 3/4	6	2	3	5 3/4
9'-5"	N/A	N/A	N/A	344*	N/A	3/8	24	N/A				7	2 5/8	3 15/16	5 3/4	7	3	4 1/2	5 3/4	5	2	3	5 3/4
12'-5"	1 5/16	0.532	CP0629	DC1	12	1/2	18	16	3 1/2	5 1/4	5 3/4	16	4 1/2	6 3/4	5 3/4	N/A				N/A			
14'-5"	1 5/16	0.469	CP0630	445	8	1/2	14	N/A				9	4 1/2	6 3/4	6 13/16	7	4 1/8	6 3/16	6 13/16	7	4	6	6 13/16
15'-5"	1 3/8	0.531	CP0630	446	8	5/8	18	N/A				10	4 1/2	6 3/4	6 7/8	8	7 1/2	11 1/4	6 7/8	9	5	7 1/2	6 7/8
16'-5"	1 1/2	0.656	CP0630	446	8	5/8	18	N/A				10	4 1/2	6 3/4	6 7/8	N/A				8	5	7 1/2	6 7/8
17'-5"	1 5/8	0.781	CP0630 & CP0647	546	7	5/8	17	N/A				9	4 1/2	6 3/4	6 7/8	N/A				8	5	7 1/2	6 7/8
18'-5"	1 3/4	0.906	CP0630 & CP0647	546	7	5/8	16	N/A				8	4 1/2	6 3/4	6 7/8	N/A				7	5	7 1/2	6 7/8
19'-5"	1 7/8	1.031	CP0630 & CP0647	546	7	5/8	15	N/A				8	4 1/2	6 3/4	6 7/8	N/A				7	5	7 1/2	6 7/8
20'-5"	2	1.156	CP0630 & CP0647	546	7	5/8	14	N/A				7	4 1/2	6 3/4	6 7/8	N/A				N/A			
21'-5"	2 1/8	1.281	CP0630 & CP0647	548	7	3/4	18	N/A				10	5	7 1/2	7 1/2	11	6 5/8	9 15/16	7 1/2	N/A			
22'-5"	2 3/8	1.531	CP0630 & CP0647	548	7	3/4	18	N/A				9	5	7 1/2	7 1/2	10	6 5/8	9 15/16	7 1/2	N/A			
23'-5"	2 1/2	1.656	CP0630 & CP0647	548	6	3/4	18	N/A				9	5	7 1/2	7 1/2	10	6 5/8	9 15/16	7 1/2	N/A			
24'-5"	2 1/2	1.656	CP0630 & CP0647	648	6	3/4	16	N/A				8	5	7 1/2	7 1/2	8	6 5/8	9 15/16	7 1/2	N/A			
25'-5"	2 1/2	1.656	CP0630 & CP0647	648	6	3/4	15	N/A				8	5	7 1/2	7 1/2	6	6 5/8	9 15/16	7 1/2	N/A			
26'-5"	2 1/2	1.656	CP0630 & CP0647	648	6	3/4	14	N/A				7	5	7 1/2	7 1/2	5	6 5/8	9 15/16	7 1/2	N/A			
27'-5"	2 1/2	1.656	CP0630 & CP0647	648	5	3/4	13	N/A				7	5	7 1/2	7 1/2	N/A				N/A			
28'-5"	2 1/2	1.656	CP0630 & CP0647	648	5	3/4	13	N/A				N/A				N/A				N/A			
29'-5"	2 1/2	1.656	CP0630 & CP0647	648	5	3/4	12	N/A				N/A				N/A				N/A			



	24 ELMWOOD AVE 1901 S. LITCHFIELD RD MOUNTAINTOP, PA GOODYEAR, AZ	Unless otherwise specified, dimensions are in inches & tolerances are:  0.000 = +/- 0.031 FRACTIONAL = +/- 1/32 ANGLES = +/- 1/2 DEG
	P: 800.233.8366 F: 800.526.0841 E: ADS@CORNELLIRON.COM	TITLE: WIND LOAD CONFIGURATION INSULATED ROLLING STEEL DOOR CP0001/CP0651 SLAT IMPACT RATED

L'TR	REVISION	DATE	BY	E.C.O.
*	ORIGINAL ISSUE	10/16/14	TJE	1615
A	REMOVED SPECIFIC ENDLOCK, ADD INNER ANGLE NOTE	12/11/17	CJR	1663
B	REVISED BOTTOM BAR DETAIL; HOOD SUPPORT UPDATE	02/19/20	MAN	2027

CP0001/CP0651 - 0.0296/0.0220 Minimum Thickness Galvanized or Stainless Steel - 60 PSF, Cont.																				
DBG Up To	Filled CMU								Steel (Wall anchors are the same diameter as assembly fasteners)						Superimposed Loads					
	Hilti Kwik Bolt 3				Simpson Strong-Bolt 2				Through Bolt			Welded		Through Bolt	Tapped		Vx (+)	Vy (+)	Vx (-)	Vy (-)
	Max O.C.	Dia.	Embed	Edge Dist	Max O.C.	Dia.	Embed	Edge Dist	Max. O.C.	Dia.	Edge Distance	Max O.C.	Slot Size	Max O.C.	Max O.C.	Min. Thickness				
5'-5"	8	1/2	3 1/2	5 3/4	11	3/4	5 1/4	5 3/4	12	3/8	5 3/4	36	7/16 x 5/8	36	36	3/16	0	165	0	163
6'-5"	8	3/4	3 1/4	5 3/4	10	3/4	5 1/4	5 3/4	10	3/8	5 3/4	36	7/16 x 5/8	36	36	3/16	0	195	0	193
7'-5"	11	3/4	4 3/8	5 3/4	8	3/4	5 1/4	5 3/4	9	3/8	5 3/4	36	7/16 x 5/8	36	36	3/16	0	225	0	223
8'-5"	9	3/4	4 3/8	5 3/4	N/A			8	3/8	5 3/4	36	7/16 x 5/8	36	36	3/16	0	255	0	253	
9'-5"	8	3/4	4 3/8	5 3/4	N/A			7	3/8	5 3/4	36	7/16 x 5/8	36	36	3/16	0	285	0	283	
12'-5"	8	1/2	3 1/2	5 3/4	8	1/2	4 1/2	5 3/4	N/A			18	9/16 x 3/4	18	18	1/4	412	375	365	373
14'-5"	N/A				N/A				9	1/2	6 13/16	17	9/16 x 3/4	17	9	1/4	1388	435	1351	436
15'-5"	N/A				N/A				10	5/8	6 7/8	23	11/16 x 7/8	23	12	5/16	1613	465	1579	466
16'-5"	N/A				N/A				10	5/8	6 7/8	22	11/16 x 7/8	22	12	5/16	1688	495	1659	496
17'-5"	N/A				N/A				9	5/8	6 7/8	21	11/16 x 7/8	21	11	5/16	1777	524	1752	525
18'-5"	N/A				N/A				8	5/8	6 7/8	20	11/16 x 7/8	20	11	5/16	1873	554	1851	555
19'-5"	N/A				N/A				8	5/8	6 7/8	19	11/16 x 7/8	19	10	5/16	1970	583	1951	585
20'-5"	N/A				N/A				7	5/8	6 7/8	18	11/16 x 7/8	18	10	5/16	2067	613	2050	614
21'-5"	N/A				N/A				10	3/4	7 1/2	36	13/16 x 1	36	20	3/8	2173	644	2150	644
22'-5"	N/A				N/A				9	3/4	7 1/2	36	13/16 x 1	36	20	3/8	2152	672	2133	673
23'-5"	N/A				N/A				9	3/4	7 1/2	36	13/16 x 1	36	19	3/8	2252	702	2235	702
24'-5"	N/A				N/A				8	3/4	7 1/2	33	13/16 x 1	33	18	3/8	2455	732	2439	733
25'-5"	N/A				N/A				8	3/4	7 1/2	30	13/16 x 1	30	16	3/8	2658	762	2642	763
26'-5"	N/A				N/A				7	3/4	7 1/2	28	13/16 x 1	28	15	3/8	2861	793	2845	793
27'-5"	N/A				N/A				7	3/4	7 1/2	26	13/16 x 1	26	14	3/8	3065	823	3049	824
28'-5"	N/A				N/A				N/A			25	13/16 x 1	25	13	3/8	3270	854	3254	854
29'-5"	N/A				N/A				N/A			23	13/16 x 1	23	12	3/8	3476	884	3460	885



	24 ELMWOOD AVE 1901 S. LITCHFIELD RD MOUNTAINTOP, PA GOODYEAR, AZ  P: 800.233.8366 F: 800.526.0841 E: ADS@CORNELLIRON.COM	Unless otherwise specified, dimensions are in inches & tolerances are:  0.000 = +/- 0.031 FRACTIONAL = +/- 1/32 ANGLES = +/- 1/2 DEG
	<b>TITLE:</b> WIND LOAD CONFIGURATION INSULATED ROLLING STEEL DOOR CP0001/CP0651 SLAT IMPACT RATED	<b>DRAWN BY:</b> TJE <b>SIZE:</b> B <b>SCALE:</b> AS NOTED <b>SHEET:</b> 20/40 <b>DWG NO:</b> ES-16-63-CIW

L'TR	REVISION	DATE	BY	E.C.O.
*	ORIGINAL ISSUE	10/16/14	TJE	1615
A	REMOVED SPECIFIC ENDLOCK, ADD INNER ANGLE NOTE	12/11/17	CJR	1663
B	REVISED BOTTOM BAR DETAIL; HOOD SUPPORT UPDATE	02/19/20	MAN	2027

CP0001/CP0651 - 0.0296/0.0220 Minimum Thickness Galvanized or Stainless Steel - 65 PSF																							
Concrete Minimum 3,000 PSI Compressive Strength (Anchors are the same diameter as assembly fasteners)																							
DBG Up To	Windlock Flat Location	Slip	Windlock	Guide Assembly	Windlock Weld Pitch	Assembly Fastener Diameter	Assembly Fastener Spacing	Hilti Kwik Bolt 3				Simpson Wedge All				Red Head Tru-Bolt				Powers Wedge-Bolt			
								Max O.C.	Embed	Min. Wall Thick.	Edge Dist	Max O.C.	Embed	Min. Wall Thick.	Edge Dist	Max O.C.	Embed	Min. Wall Thick.	Edge Dist	Max O.C.	Embed	Min. Wall Thick.	Edge Dist
5'-5"	N/A	N/A	N/A	344*	N/A	3/8	24	16	2 3/8	4	5 3/4	11	2 5/8	3 15/16	5 3/4	12	3	4 1/2	5 3/4	9	2	3	5 3/4
6'-5"	N/A	N/A	N/A	344*	N/A	3/8	24	6	2 3/8	5	5 3/4	9	2 5/8	3 15/16	5 3/4	10	3	4 1/2	5 3/4	7	2	3	5 3/4
7'-5"	N/A	N/A	N/A	344*	N/A	3/8	24	N/A				8	2 5/8	3 15/16	5 3/4	8	3	4 1/2	5 3/4	6	2	3	5 3/4
8'-5"	N/A	N/A	N/A	344*	N/A	3/8	24	N/A				7	2 5/8	3 15/16	5 3/4	7	3	4 1/2	5 3/4	6	2	3	5 3/4
9'-5"	N/A	N/A	N/A	344*	N/A	3/8	24	N/A				6	2 5/8	3 15/16	5 3/4	7	3	4 1/2	5 3/4	5	2	3	5 3/4
12'-5"	1 5/16	0.532	CP0629	DC1	12	1/2	18	16	3 1/2	5 1/4	5 3/4	16	4 1/2	6 3/4	5 3/4	N/A				N/A			
15'-5"	1 3/8	0.531	CP0630 & CP0647	546	7	5/8	17	N/A				9	4 1/2	6 3/4	6 7/8	6	7 1/2	11 1/4	6 7/8	8	5	7 1/2	6 7/8
16'-5"	1 7/16	0.594	CP0630 & CP0647	546	7	5/8	15	N/A				8	4 1/2	6 3/4	6 7/8	N/A				N/A			
17'-5"	1 1/2	0.656	CP0630 & CP0647	548	6	3/4	18	N/A				10	5	7 1/2	7 1/2	11	6 5/8	9 15/16	7 1/2	N/A			
18'-5"	1 5/8	0.781	CP0630 & CP0647	548	6	3/4	18	N/A				9	5	7 1/2	7 1/2	10	6 5/8	9 15/16	7 1/2	N/A			
19'-5"	1 3/4	0.906	CP0630 & CP0647	548	6	3/4	18	N/A				9	5	7 1/2	7 1/2	10	6 5/8	9 15/16	7 1/2	N/A			
20'-5"	1 7/8	1.031	CP0630 & CP0647	548	6	3/4	18	N/A				9	5	7 1/2	7 1/2	9	6 5/8	9 15/16	7 1/2	N/A			
21'-5"	2	1.156	CP0630 & CP0647	548	6	3/4	17	N/A				8	5	7 1/2	7 1/2	8	6 5/8	9 15/16	7 1/2	N/A			
22'-5"	2 1/4	1.406	CP0630 & CP0647	648	6	3/4	16	N/A				8	5	7 1/2	7 1/2	8	6 5/8	9 15/16	7 1/2	N/A			
23'-5"	2 3/8	1.531	CP0630 & CP0647	648	6	3/4	16	N/A				8	5	7 1/2	7 1/2	7	6 5/8	9 15/16	7 1/2	N/A			
24'-5"	2 1/2	1.656	CP0630 & CP0647	648	6	3/4	15	N/A				7	5	7 1/2	7 1/2	6	6 5/8	9 15/16	7 1/2	N/A			
25'-5"	2 1/2	1.656	CP0630 & CP0647	648	6	3/4	14	N/A				7	5	7 1/2	7 1/2	N/A				N/A			
26'-5"	2 1/2	1.656	CP0630 & CP0647	648	5	3/4	13	N/A				N/A				N/A				N/A			
27'-5"	2 1/2	1.656	CP0630 & CP0647	648	5	3/4	12	N/A				N/A				N/A				N/A			



	24 ELMWOOD AVE 1901 S. LITCHFIELD RD MOUNTAINTOP, PA GOODYEAR, AZ	Unless otherwise specified, dimensions are in inches & tolerances are:  0.000 = +/- 0.031 FRACTIONAL = +/- 1/32 ANGLES = +/- 1/2 DEG
	P: 800.233.8366 F: 800.526.0841 E: ADS@CORNELLIRON.COM	TITLE: WIND LOAD CONFIGURATION INSULATED ROLLING STEEL DOOR CP0001/CP0651 SLAT IMPACT RATED

L'TR	REVISION	DATE	BY	E.C.O.
*	ORIGINAL ISSUE	10/16/14	TJE	1615
A	REMOVED SPECIFIC ENDLOCK, ADD INNER ANGLE NOTE	12/11/17	CJR	1663
B	REVISED BOTTOM BAR DETAIL; HOOD SUPPORT UPDATE	02/19/20	MAN	2027

CP0001/CP0651 - 0.0296/0.0220 Minimum Thickness Galvanized or Stainless Steel - 65 PSF, Cont.																					
DBG Up To	Filled CMU												Steel (Wall anchors are the same diameter as assembly fasteners)				Superimposed Loads				
	Hilti Kwik Bolt 3				Simpson Strong-Bolt 2				Through Bolt				Welded		Through Bolt	Tapped					
	Max O.C.	Dia.	Embed	Edge Dist	Max O.C.	Dia.	Embed	Edge Dist	Max. O.C.	Dia.	Edge Distance	Max O.C.	Slot Size	Max O.C.	Max O.C.	Min. Thickness	Vx (+)	Vy (+)	Vx (-)	Vy (-)	
5'-5"	8	3/4	3 1/4	5 3/4	10	3/4	5 1/4	5 3/4	11	3/8	5 3/4	36	7/16 x 5/8	36	36	3/16	0	179	0	177	
6'-5"	12	3/4	4 3/8	5 3/4	9	3/4	5 1/4	5 3/4	9	3/8	5 3/4	36	7/16 x 5/8	36	36	3/16	0	212	0	209	
7'-5"	10	3/4	4 3/8	5 3/4	8	3/4	5 1/4	5 3/4	8	3/8	5 3/4	36	7/16 x 5/8	36	36	3/16	0	244	0	242	
8'-5"	9	3/4	4 3/8	5 3/4	N/A				7	3/8	5 3/4	36	7/16 x 5/8	36	36	3/16	0	277	0	274	
9'-5"	8	3/4	4 3/8	5 3/4	N/A				6	3/8	5 3/4	36	7/16 x 5/8	36	36	3/16	0	309	0	307	
12'-5"	8	1/2	3 1/2	5 3/4	8	1/2	4 1/2	5 3/4	N/A				18	9/16 x 3/4	18	18	1/4	566	406	517	404
15'-5"	N/A				N/A				9	5/8	6 7/8	20	11/16 x 7/8	20	11	5/16	1826	504	1790	505	
16'-5"	N/A				N/A				8	5/8	6 7/8	18	11/16 x 7/8	18	10	5/16	2040	537	2007	538	
17'-5"	N/A				N/A				10	3/4	7 1/2	36	13/16 x 1	36	19	3/8	2254	570	2211	571	
18'-5"	N/A				N/A				9	3/4	7 1/2	35	13/16 x 1	35	19	3/8	2312	602	2274	603	
19'-5"	N/A				N/A				9	3/4	7 1/2	34	13/16 x 1	34	18	3/8	2385	634	2351	635	
20'-5"	N/A				N/A				9	3/4	7 1/2	33	13/16 x 1	33	18	3/8	2465	666	2435	667	
21'-5"	N/A				N/A				8	3/4	7 1/2	32	13/16 x 1	32	17	3/8	2550	698	2524	699	
22'-5"	N/A				N/A				8	3/4	7 1/2	32	13/16 x 1	32	17	3/8	2494	729	2472	730	
23'-5"	N/A				N/A				8	3/4	7 1/2	31	13/16 x 1	31	17	3/8	2592	761	2573	762	
24'-5"	N/A				N/A				7	3/4	7 1/2	30	13/16 x 1	30	16	3/8	2690	793	2673	794	
25'-5"	N/A				N/A				7	3/4	7 1/2	28	13/16 x 1	28	15	3/8	2908	826	2890	827	
26'-5"	N/A				N/A				N/A				26	13/16 x 1	26	14	3/8	3126	859	3108	860
27'-5"	N/A				N/A				N/A				24	13/16 x 1	24	13	3/8	3344	892	3327	893



	24 ELMWOOD AVE 1901 S. LITCHFIELD RD MOUNTAINTOP, PA GOODYEAR, AZ	Unless otherwise specified, dimensions are in inches & tolerances are:  0.000 = +/- 0.031 FRACTIONAL = +/- 1/32 ANGLES = +/- 1/2 DEG		
	P: 800.233.8366 F: 800.526.0841 E: ADS@CORNELLIRON.COM			
<b>TITLE:</b> WIND LOAD CONFIGURATION INSULATED ROLLING STEEL DOOR CP0001/CP0651 SLAT IMPACT RATED	<b>DRAWN BY:</b> TJE	<b>SIZE:</b> B	<b>SCALE:</b> AS NOTED	<b>SHEET:</b> 22/40
	<b>DWG NO:</b> ES-16-63-CIW			

L'TR	REVISION	DATE	BY	E.C.O.
*	ORIGINAL ISSUE	10/16/14	TJE	1615
A	REMOVED SPECIFIC ENDLOCK, ADD INNER ANGLE NOTE	12/11/17	CJR	1663
B	REVISED BOTTOM BAR DETAIL; HOOD SUPPORT UPDATE	02/19/20	MAN	2027

CP0001/CP0651 - 0.0296/0.0220 Minimum Thickness Galvanized or Stainless Steel - 70 PSF																							
Concrete Minimum 3,000 PSI Compressive Strength (Anchors are the same diameter as assembly fasteners)																							
DBG Up To	Windlock Flat Location	Slip	Windlock	Guide Assembly	Windlock Weld Pitch	Assembly Fastener Diameter	Assembly Fastener Spacing	Hilti Kwik Bolt 3				Simpson Wedge All				Red Head Tru-Bolt				Powers Wedge-Bolt			
								Max O.C.	Embed	Min. Wall Thick.	Edge Dist	Max O.C.	Embed	Min. Wall Thick.	Edge Dist	Max O.C.	Embed	Min. Wall Thick.	Edge Dist	Max O.C.	Embed	Min. Wall Thick.	Edge Dist
5'-5"	N/A	N/A	N/A	344*	N/A	3/8	24	6	2 3/8	4	5 3/4	10	2 5/8	3 15/16	5 3/4	11	3	4 1/2	5 3/4	8	2	3	5 3/4
6'-5"	N/A	N/A	N/A	344*	N/A	3/8	24	N/A				9	2 5/8	3 15/16	5 3/4	9	3	4 1/2	5 3/4	7	2	3	5 3/4
7'-5"	N/A	N/A	N/A	344*	N/A	3/8	24	N/A				8	2 5/8	3 15/16	5 3/4	8	3	4 1/2	5 3/4	6	2	3	5 3/4
8'-5"	N/A	N/A	N/A	344*	N/A	3/8	24	N/A				7	2 5/8	3 15/16	5 3/4	7	3	4 1/2	5 3/4	5	2	3	5 3/4
15'-5"	1 5/16	0.469	CP0630 & CP0647	546	6	5/8	14	N/A				7	4 1/2	6 3/4	6 7/8	N/A				N/A			
16'-5"	1 3/8	0.531	CP0630 & CP0647	548	6	3/4	18	N/A				9	5	7 1/2	7 1/2	10	6 5/8	9 15/16	7 1/2	N/A			
17'-5"	1 7/16	0.594	CP0630 & CP0647	548	6	3/4	18	N/A				8	5	7 1/2	7 1/2	N/A				N/A			
18'-5"	1 1/2	0.656	CP0630 & CP0647	548	6	3/4	16	N/A				8	5	7 1/2	7 1/2	6	6 5/8	9 15/16	7 1/2	N/A			
19'-5"	1 5/8	0.781	CP0630 & CP0647	648	6	3/4	16	N/A				7	5	7 1/2	7 1/2	6	6 5/8	9 15/16	7 1/2	N/A			
20'-5"	1 3/4	0.906	CP0630 & CP0647	648	6	3/4	15	N/A				7	5	7 1/2	7 1/2	5	6 5/8	9 15/16	7 1/2	N/A			
21'-5"	1 7/8	1.031	CP0630 & CP0647	648	6	3/4	15	N/A				7	5	7 1/2	7 1/2	N/A				N/A			
22'-5"	2	1.156	CP0630 & CP0647	648	5	3/4	14	N/A				7	5	7 1/2	7 1/2	N/A				N/A			
23'-5"	2 1/8	1.281	CP0630 & CP0647	648	5	3/4	14	N/A				7	5	7 1/2	7 1/2	N/A				N/A			
24'-5"	2 3/8	1.531	CP0630 & CP0647	648	5	3/4	13	N/A				7	5	7 1/2	7 1/2	N/A				N/A			
25'-5"	2 1/2	1.656	CP0630 & CP0647	648	5	3/4	13	N/A				N/A				N/A				N/A			
26'-5"	2 1/2	1.656	CP0630 & CP0647	648	5	3/4	12	N/A				N/A				N/A				N/A			

CP0001/CP0651 - 0.0296/0.0220 Minimum Thickness Galvanized or Stainless Steel - 70 PSF																					
DBG Up To	Filled CMU												Steel (Wall anchors are the same diameter as assembly fasteners)					Superimposed Loads			
	Hilti Kwik Bolt 3				Simpson Strong-Bolt 2				Through Bolt				Welded		Through Bolt	Tapped		Vx (+)	Vy (+)	Vx (-)	Vy (-)
	Max O.C.	Dia.	Embed	Edge Dist	Max O.C.	Dia.	Embed	Edge Dist	Max O.C.	Dia.	Edge Distance	Max O.C.	Slot Size	Max O.C.	Max O.C.	Min. Thickness					
5'-5"	8	3/4	3 1/4	5 3/4	10	3/4	5 1/4	5 3/4	10	3/8	5 3/4	36	7/16 x 5/8	36	36	3/16	0	193	0	190	
6'-5"	11	3/4	4 3/8	5 3/4	8	3/4	5 1/4	5 3/4	9	3/8	5 3/4	36	7/16 x 5/8	36	36	3/16	0	228	0	225	
7'-5"	9	3/4	4 3/8	5 3/4	N/A				8	3/8	5 3/4	36	7/16 x 5/8	36	36	3/16	0	263	0	260	
8'-5"	8	3/4	4 3/8	5 3/4	N/A				7	3/8	5 3/4	36	7/16 x 5/8	36	36	3/16	0	298	0	295	
15'-5"	N/A				N/A				7	5/8	6 7/8	16	11/16 x 7/8	16	9	5/16	2234	544	2193	545	
16'-5"	N/A				N/A				9	3/4	7 1/2	33	13/16 x 1	33	18	3/8	2457	580	2405	580	
17'-5"	N/A				N/A				8	3/4	7 1/2	31	13/16 x 1	31	16	3/8	2651	615	2603	616	
18'-5"	N/A				N/A				8	3/4	7 1/2	29	13/16 x 1	29	15	3/8	2837	651	2793	651	
19'-5"	N/A				N/A				7	3/4	7 1/2	28	13/16 x 1	28	15	3/8	2866	685	2826	685	
20'-5"	N/A				N/A				7	3/4	7 1/2	28	13/16 x 1	28	15	3/8	2917	719	2881	720	
21'-5"	N/A				N/A				7	3/4	7 1/2	27	13/16 x 1	27	15	3/8	2981	753	2950	754	
22'-5"	N/A				N/A				7	3/4	7 1/2	26	13/16 x 1	26	14	3/8	3055	788	3026	788	
23'-5"	N/A				N/A				7	3/4	7 1/2	26	13/16 x 1	26	14	3/8	3134	822	3108	823	
24'-5"	N/A				N/A				7	3/4	7 1/2	26	13/16 x 1	26	14	3/8	3062	855	3041	856	
25'-5"	N/A				N/A				N/A				25	13/16 x 1	25	14	3/8	3157	890	3139	891
26'-5"	N/A				N/A				N/A				24	13/16 x 1	24	13	3/8	3390	925	3371	926



	24 ELMWOOD AVE 1901 S. LITCHFIELD RD MOUNTAINTOP, PA GOODYEAR, AZ	Unless otherwise specified, dimensions are in inches & tolerances are:  0.000 = +/- 0.031 FRACTIONAL = +/- 1/32 ANGLES = +/- 1/2 DEG
	P: 800.233.8366 F: 800.526.0841 E: ADS@CORNELLIRON.COM	TITLE: WIND LOAD CONFIGURATION INSULATED ROLLING STEEL DOOR CP0001/CP0651 SLAT IMPACT RATED

L'TR	REVISION	DATE	BY	E.C.O.
*	ORIGINAL ISSUE	10/16/14	TJE	1615
A	REMOVED SPECIFIC ENDLOCK, ADD INNER ANGLE NOTE	12/11/17	CJR	1663
B	REVISED BOTTOM BAR DETAIL; HOOD SUPPORT UPDATE	02/19/20	MAN	2027

CP0001/CP0651 - 0.0405/0.0220 Minimum Thickness Galvanized or Stainless Steel - 20 PSF																							
Concrete Minimum 3,000 PSI Compressive Strength (Anchors are the same diameter as assembly fasteners)																							
DBG Up To	Windlock Flat Location	Slip	Windlock	Guide Assembly	Windlock Weld Pitch	Assembly Fastener Diameter	Assembly Fastener Spacing	Hilti Kwik Bolt 3				Simpson Wedge All				Red Head Tru-Bolt				Powers Wedge-Bolt			
								Max O.C.	Embed	Min. Wall Thick.	Edge Dist	Max O.C.	Embed	Min. Wall Thick.	Edge Dist	Max O.C.	Embed	Min. Wall Thick.	Edge Dist	Max O.C.	Embed	Min. Wall Thick.	Edge Dist
5'-5"	N/A	N/A	N/A	344*	N/A	3/8	24	36	2 3/8	4	5 3/4	36	2 5/8	3 15/16	5 3/4	36	3	4 1/2	5 3/4	30	2	3	5 3/4
6'-5"	N/A	N/A	N/A	344*	N/A	3/8	24	36	2 3/8	4	5 3/4	32	2 5/8	3 15/16	5 3/4	33	3	4 1/2	5 3/4	25	2	3	5 3/4
7'-5"	N/A	N/A	N/A	344*	N/A	3/8	24	36	2 3/8	4	5 3/4	28	2 5/8	3 15/16	5 3/4	28	3	4 1/2	5 3/4	22	2	3	5 3/4
8'-5"	N/A	N/A	N/A	344*	N/A	3/8	24	36	2 3/8	4	5 3/4	24	2 5/8	3 15/16	5 3/4	25	3	4 1/2	5 3/4	19	2	3	5 3/4
9'-5"	N/A	N/A	N/A	344*	N/A	3/8	24	36	2 3/8	4	5 3/4	22	2 5/8	3 15/16	5 3/4	22	3	4 1/2	5 3/4	17	2	3	5 3/4
10'-5"	N/A	N/A	N/A	344*	N/A	3/8	24	36	2 3/8	4	5 3/4	20	2 5/8	3 15/16	5 3/4	20	3	4 1/2	5 3/4	15	2	3	5 3/4
11'-5"	N/A	N/A	N/A	344*	N/A	3/8	24	36	2 3/8	4	5 3/4	18	2 5/8	3 15/16	5 3/4	18	3	4 1/2	5 3/4	14	2	3	5 3/4
12'-5"	N/A	N/A	N/A	344*	N/A	3/8	24	36	2 3/8	4	5 3/4	16	2 5/8	3 15/16	5 3/4	17	3	4 1/2	5 3/4	13	2	3	5 3/4
13'-5"	N/A	N/A	N/A	344*	N/A	3/8	24	36	2 3/8	4	5 3/4	15	2 5/8	3 15/16	5 3/4	16	3	4 1/2	5 3/4	12	2	3	5 3/4
14'-5"	N/A	N/A	N/A	344*	N/A	3/8	24	36	2 3/8	4	5 3/4	14	2 5/8	3 15/16	5 3/4	14	3	4 1/2	5 3/4	11	2	3	5 3/4
15'-5"	N/A	N/A	N/A	344*	N/A	3/8	24	36	2 3/8	4	5 3/4	13	2 5/8	3 15/16	5 3/4	13	3	4 1/2	5 3/4	10	2	3	5 3/4
16'-5"	N/A	N/A	N/A	344*	N/A	3/8	24	28	2 3/8	4	5 3/4	12	2 5/8	3 15/16	5 3/4	13	3	4 1/2	5 3/4	10	2	3	5 3/4
17'-5"	N/A	N/A	N/A	344*	N/A	3/8	24	19	2 3/8	4	5 3/4	12	2 5/8	3 15/16	5 3/4	12	3	4 1/2	5 3/4	9	2	3	5 3/4
18'-5"	N/A	N/A	N/A	344*	N/A	3/8	24	11	2 3/8	4	5 3/4	11	2 5/8	3 15/16	5 3/4	11	3	4 1/2	5 3/4	9	2	3	5 3/4
19'-5"	1 1/2	0.719	CP0629	344	12	3/8	18	36	2 3/8	4	5 3/4	14	2 5/8	3 15/16	5 3/4	14	3	4 1/2	5 3/4	9	2	3	5 3/4
20'-5"	1 1/2	0.719	CP0629	344	12	3/8	18	12	2 3/8	5	5 3/4	10	2 5/8	3 15/16	5 3/4	11	3	4 1/2	5 3/4	6	2	3	5 3/4
21'-5"	1 1/2	0.719	CP0629	344	12	3/8	15	N/A				8	2 5/8	3 15/16	5 3/4	8	3	4 1/2	5 3/4	5	2	3	5 3/4
22'-5"	1 1/2	0.719	CP0629	344	11	3/8	13	N/A				7	2 5/8	3 15/16	5 3/4	7	3	4 1/2	5 3/4	4	2	3	5 3/4
23'-5"	1 1/2	0.719	CP0629	344	11	3/8	11	N/A				6	2 5/8	3 15/16	5 3/4	6	3	4 1/2	5 3/4	4	2 1/2	3 3/4	5 3/4
24'-5"	2	1.219	CP0629	445	12	1/2	18	36	3 5/8	6	6 13/16	17	4 1/2	6 3/4	6 13/16	13	4 1/8	6 3/16	6 13/16	7	2 1/2	3 3/4	6 13/16
25'-5"	2	1.219	CP0629	445	11	1/2	18	36	3 5/8	6	6 13/16	15	4 1/2	6 3/4	6 13/16	12	4 1/8	6 3/16	6 13/16	7	2 1/2	3 3/4	6 13/16
26'-5"	2	1.219	CP0629	445	11	1/2	18	36	3 5/8	6	6 13/16	13	4 1/2	6 3/4	6 13/16	11	4 1/8	6 3/16	6 13/16	6	2 1/2	3 3/4	6 13/16
27'-5"	2	1.156	CP0630	445	10	1/2	18	36	3 5/8	8	6 13/16	12	4 1/2	6 3/4	6 13/16	9	4 1/8	6 3/16	6 13/16	8	3 1/2	5 1/4	6 13/16
28'-5"	2	1.156	CP0630	445	9	1/2	17	28	3 5/8	8	6 13/16	11	4 1/2	6 3/4	6 13/16	8	4 1/8	6 3/16	6 13/16	7	3 1/2	5 1/4	6 13/16
29'-5"	2	1.156	CP0630	445	9	1/2	15	N/A				10	4 1/2	6 3/4	6 13/16	8	4 1/8	6 3/16	6 13/16	6	3 1/2	5 1/4	6 13/16
30'-5"	2	1.156	CP0630	445	9	1/2	14	N/A				9	4 1/2	6 3/4	6 13/16	7	4 1/8	6 3/16	6 13/16	6	3 1/2	5 1/4	6 13/16
31'-5"	2	1.156	CP0630	445	8	1/2	14	N/A				8	4 1/2	6 3/4	6 13/16	7	4 1/8	6 3/16	6 13/16	6	3 1/2	5 1/4	6 13/16
32'-5"	2	1.156	CP0630	445	8	1/2	13	N/A				8	4 1/2	6 3/4	6 13/16	6	4 1/8	6 3/16	6 13/16	7	4	6	6 13/16
33'-5"	2	1.156	CP0630	446	8	5/8	18	N/A				10	4 1/2	6 3/4	6 7/8	N/A				9	5	7 1/2	6 7/8
34'-5"	2	1.156	CP0630	446	8	5/8	18	N/A				10	4 1/2	6 3/4	6 7/8	N/A				9	5	7 1/2	6 7/8
35'-5"	2	1.156	CP0630	446	7	5/8	18	N/A				9	4 1/2	6 3/4	6 7/8	N/A				8	5	7 1/2	6 7/8
36'-5"	2	1.156	CP0630 & CP0647	546	7	5/8	17	N/A				9	4 1/2	6 3/4	6 7/8	N/A				8	5	7 1/2	6 7/8
37'-5"	2	1.156	CP0630 & CP0647	546	7	5/8	16	N/A				8	4 1/2	6 3/4	6 7/8	N/A				7	5	7 1/2	6 7/8
38'-5"	2	1.156	CP0630 & CP0647	546	7	5/8	15	N/A				8	4 1/2	6 3/4	6 7/8	N/A				N/A			
39'-5"	2	1.156	CP0630 & CP0647	546	7	5/8	15	N/A				8	4 1/2	6 3/4	6 7/8	N/A				N/A			
40'-5"	2 1/2	1.656	CP0630 & CP0647	548	7	3/4	18	22	5 5/8	8	7 1/2	12	5	7 1/2	7 1/2	13	6 5/8	9 15/16	7 1/2	N/A			



24 ELMWOOD AVE 1901 S. LITCHFIELD RD  
MOUNTAINTOP, PA GOODYEAR, AZ

P: 800.233.8366  
F: 800.526.0841  
E: ADS@CORNELLIRON.COM

Unless otherwise specified, dimensions are in inches & tolerances are:

0.000 = +/- 0.031  
FRACTIONAL = +/- 1/32  
ANGLES = +/- 1/2 DEG

TITLE: WIND LOAD CONFIGURATION  
INSULATED ROLLING STEEL DOOR  
CP0001/CP0651 SLAT IMPACT RATED

DRAWN BY: TJE  
SIZE: B  
SCALE: AS NOTED  
SHEET: 24/40

DWG NO: ES-16-63-CIW





L'TR	REVISION	DATE	BY	E.C.O.
*	ORIGINAL ISSUE	10/16/14	TJE	1615
A	REMOVED SPECIFIC ENDLOCK, ADD INNER ANGLE NOTE	12/11/17	CJR	1663
B	REVISED BOTTOM BAR DETAIL; HOOD SUPPORT UPDATE	02/19/20	MAN	2027

CP0001/CP0651 - 0.0405/0.0220 Minimum Thickness Galvanized or Stainless Steel - 30 PSF																							
Concrete Minimum 3,000 PSI Compressive Strength (Anchors are the same diameter as assembly fasteners)																							
DBG Up To	Windlock Flat Location	Slip	Windlock	Guide Assembly	Windlock Weld Pitch	Assembly Fastener Diameter	Assembly Fastener Spacing	Hilti Kwik Bolt 3				Simpson Wedge All				Red Head Tru-Bolt				Powers Wedge-Bolt			
								Max O.C.	Embed	Min. Wall Thick.	Edge Dist	Max O.C.	Embed	Min. Wall Thick.	Edge Dist	Max O.C.	Embed	Min. Wall Thick.	Edge Dist	Max O.C.	Embed	Min. Wall Thick.	Edge Dist
5'-5"	N/A	N/A	N/A	344*	N/A	3/8	24	36	2 3/8	4	5 3/4	25	2 5/8	3 15/16	5 3/4	26	3	4 1/2	5 3/4	20	2	3	5 3/4
6'-5"	N/A	N/A	N/A	344*	N/A	3/8	24	36	2 3/8	4	5 3/4	21	2 5/8	3 15/16	5 3/4	22	3	4 1/2	5 3/4	17	2	3	5 3/4
7'-5"	N/A	N/A	N/A	344*	N/A	3/8	24	36	2 3/8	4	5 3/4	18	2 5/8	3 15/16	5 3/4	19	3	4 1/2	5 3/4	14	2	3	5 3/4
8'-5"	N/A	N/A	N/A	344*	N/A	3/8	24	36	2 3/8	4	5 3/4	16	2 5/8	3 15/16	5 3/4	17	3	4 1/2	5 3/4	13	2	3	5 3/4
9'-5"	N/A	N/A	N/A	344*	N/A	3/8	24	36	2 3/8	4	5 3/4	14	2 5/8	3 15/16	5 3/4	15	3	4 1/2	5 3/4	11	2	3	5 3/4
10'-5"	N/A	N/A	N/A	344*	N/A	3/8	24	36	2 3/8	4	5 3/4	13	2 5/8	3 15/16	5 3/4	13	3	4 1/2	5 3/4	10	2	3	5 3/4
11'-5"	N/A	N/A	N/A	344*	N/A	3/8	24	22	2 3/8	4	5 3/4	12	2 5/8	3 15/16	5 3/4	12	3	4 1/2	5 3/4	9	2	3	5 3/4
12'-5"	N/A	N/A	N/A	344*	N/A	3/8	24	9	2 3/8	4	5 3/4	11	2 5/8	3 15/16	5 3/4	11	3	4 1/2	5 3/4	8	2	3	5 3/4
13'-5"	N/A	N/A	N/A	344*	N/A	3/8	24	11	2 3/8	5	5 3/4	10	2 5/8	3 15/16	5 3/4	10	3	4 1/2	5 3/4	8	2	3	5 3/4
14'-5"	N/A	N/A	N/A	344*	N/A	3/8	24	N/A				9	2 5/8	3 15/16	5 3/4	9	3	4 1/2	5 3/4	7	2	3	5 3/4
15'-5"	1 1/2	0.719	CP0629	344	12	3/8	18	8	2 3/8	5	5 3/4	10	2 5/8	3 15/16	5 3/4	10	3	4 1/2	5 3/4	7	2	3	5 3/4
16'-5"	1 1/2	0.719	CP0629	344	12	3/8	18	36	2 3/8	4	5 3/4	17	2 5/8	3 15/16	5 3/4	18	3	4 1/2	5 3/4	11	2	3	5 3/4
17'-5"	1 1/2	0.719	CP0629	344	12	3/8	17	14	2 3/8	5	5 3/4	11	2 5/8	3 15/16	5 3/4	11	3	4 1/2	5 3/4	6	2	3	5 3/4
18'-5"	1 1/2	0.719	CP0629	344	12	3/8	13	N/A				8	2 5/8	3 15/16	5 3/4	8	3	4 1/2	5 3/4	5	2	3	5 3/4
19'-5"	1 1/2	0.719	CP0629	344	11	3/8	11	N/A				6	2 5/8	3 15/16	5 3/4	6	3	4 1/2	5 3/4	5	2 1/2	3 3/4	5 3/4
20'-5"	2	1.219	CP0629	445	12	1/2	18	36	3 5/8	6	6 13/16	17	4 1/2	6 3/4	6 13/16	13	4 1/8	6 3/16	6 13/16	7	2 1/2	3 3/4	6 13/16
21'-5"	2	1.219	CP0629	445	11	1/2	18	36	3 5/8	6	6 13/16	14	4 1/2	6 3/4	6 13/16	11	4 1/8	6 3/16	6 13/16	6	2 1/2	3 3/4	6 13/16
22'-5"	2	1.156	CP0630	445	10	1/2	17	36	3 5/8	8	6 13/16	12	4 1/2	6 3/4	6 13/16	9	4 1/8	6 3/16	6 13/16	8	3 1/2	5 1/4	6 13/16
23'-5"	2	1.156	CP0630	445	9	1/2	15	19	3 5/8	8	6 13/16	10	4 1/2	6 3/4	6 13/16	8	4 1/8	6 3/16	6 13/16	7	3 1/2	5 1/4	6 13/16
24'-5"	2	1.156	CP0630	445	9	1/2	14	N/A				9	4 1/2	6 3/4	6 13/16	7	4 1/8	6 3/16	6 13/16	6	3 1/2	5 1/4	6 13/16
25'-5"	2	1.156	CP0630	445	8	1/2	13	N/A				8	4 1/2	6 3/4	6 13/16	6	4 1/8	6 3/16	6 13/16	7	4	6	6 13/16
26'-5"	2	1.156	CP0630	446	8	5/8	18	N/A				10	4 1/2	6 3/4	6 7/8	N/A				9	5	7 1/2	6 7/8
27'-5"	2	1.156	CP0630	446	8	5/8	18	N/A				9	4 1/2	6 3/4	6 7/8	N/A				8	5	7 1/2	6 7/8
28'-5"	2	1.156	CP0630 & CP0647	546	7	5/8	16	N/A				9	4 1/2	6 3/4	6 7/8	N/A				8	5	7 1/2	6 7/8
29'-5"	2	1.156	CP0630 & CP0647	546	7	5/8	15	N/A				8	4 1/2	6 3/4	6 7/8	N/A				7	5	7 1/2	6 7/8
30'-5"	2	1.156	CP0630 & CP0647	546	7	5/8	15	N/A				8	4 1/2	6 3/4	6 7/8	N/A				N/A			
31'-5"	2 1/2	1.656	CP0630 & CP0647	548	7	3/4	18	28	5 5/8	8	7 1/2	12	5	7 1/2	7 1/2	13	6 5/8	9 15/16	7 1/2	N/A			
32'-5"	2 1/2	1.656	CP0630 & CP0647	548	7	3/4	18	N/A				11	5	7 1/2	7 1/2	12	6 5/8	9 15/16	7 1/2	N/A			
33'-5"	2 1/2	1.656	CP0630 & CP0647	548	7	3/4	18	N/A				10	5	7 1/2	7 1/2	11	6 5/8	9 15/16	7 1/2	N/A			
34'-5"	2 1/2	1.656	CP0630 & CP0647	548	7	3/4	18	N/A				10	5	7 1/2	7 1/2	11	6 5/8	9 15/16	7 1/2	N/A			
35'-5"	2 1/2	1.656	CP0630 & CP0647	548	6	3/4	18	N/A				9	5	7 1/2	7 1/2	10	6 5/8	9 15/16	7 1/2	N/A			
36'-5"	2 1/2	1.656	CP0630 & CP0647	548	6	3/4	18	N/A				9	5	7 1/2	7 1/2	10	6 5/8	9 15/16	7 1/2	N/A			
37'-5"	2 1/2	1.656	CP0630 & CP0647	548	6	3/4	17	N/A				8	5	7 1/2	7 1/2	9	6 5/8	9 15/16	7 1/2	N/A			
38'-5"	2 1/2	1.656	CP0630 & CP0647	548	6	3/4	17	N/A				8	5	7 1/2	7 1/2	8	6 5/8	9 15/16	7 1/2	N/A			
39'-5"	2 1/2	1.656	CP0630 & CP0647	648	6	3/4	16	N/A				8	5	7 1/2	7 1/2	6	6 5/8	9 15/16	7 1/2	N/A			
40'-5"	2 1/2	1.656	CP0630 & CP0647	648	6	3/4	15	N/A				7	5	7 1/2	7 1/2	5	6 5/8	9 15/16	7 1/2	N/A			



	24 ELMWOOD AVE 1901 S. LITCHFIELD RD MOUNTAINTOP, PA GOODYEAR, AZ	Unless otherwise specified, dimensions are in inches & tolerances are:  0.000 = +/- 0.031 FRACTIONAL = +/- 1/32 ANGLES = +/- 1/2 DEG
	P: 800.233.8366 F: 800.526.0841 E: ADS@CORNELLIRON.COM	TITLE: WIND LOAD CONFIGURATION INSULATED ROLLING STEEL DOOR CP0001/CP0651 SLAT IMPACT RATED

L/TR	REVISION	DATE	BY	E.C.O.
*	ORIGINAL ISSUE	10/16/14	TJE	1615
A	REMOVED SPECIFIC ENDLOCK, ADD INNER ANGLE NOTE	12/11/17	CJR	1663
B	REVISED BOTTOM BAR DETAIL; HOOD SUPPORT UPDATE	02/19/20	MAN	2027

CP0001/CP0651 - 0.0405/0.0220 Minimum Thickness Galvanized or Stainless Steel - 30 PSF, Cont.

DBG Up To	Filled CMU												Cracked Concrete Minimum 3,000 PSI Compressive Strength												Steel (Wall anchors are the same diameter as assembly fasteners)						Superimposed Loads					
	Hilti Kwik Bolt 3				Simpson Strong-Bolt 2				Through Bolt				Hilti Kwik Bolt TZ				Simpson Strong-Bolt 2				ITW Redhead Trubolt+						Welded		Through Bolt		Tapped		Vx (+)	Vy (+)	Vx (-)	Vy (-)
	Max O.C.	Dia.	Embed	Edge Dist	Max O.C.	Dia.	Embed	Edge Dist	Max. O.C.	Dia.	Edge Distance	Max O.C.	Dia.	Embed.	Min Wall Thick.	Edge Dist	Max O.C.	Dia.	Embed.	Min Wall Thick.	Edge Dist	Max O.C.	Dia.	Embed.	Min Wall Thick.	Edge Dist	Max O.C.	Slot Size	Max O.C.	Max O.C.	Min. Thickness					
5'-5"	14	3/8	2 1/2	5 3/4	10	3/8	2 5/8	5 3/4	25	3/8	5 3/4	36	3/8	2 5/16	4	5 3/4	28 1/2	3/8	1 7/8	3 1/4	5 3/4	36	3/8	2	5	5 3/4	36	7/16 x 5/8	36	36	3/16	0	83	0	82	
6'-5"	12	3/8	2 1/2	5 3/4	8	3/8	2 5/8	5 3/4	21	3/8	5 3/4	19	3/8	2 5/16	4	5 3/4	36	3/8	2 7/8	4 1/2	5 3/4	36	3/8	2	5	5 3/4	36	7/16 x 5/8	36	36	3/16	0	98	0	97	
7'-5"	10	3/8	2 1/2	5 3/4	9	1/2	3 1/2	5 3/4	18	3/8	5 3/4	10 5/16	3/8	2 5/16	5	5 3/4	36	3/8	2 7/8	4 1/2	5 3/4	14 1/4	3/8	2	5	5 3/4	36	7/16 x 5/8	36	36	3/16	0	113	0	112	
8'-5"	9	3/8	2 1/2	5 3/4	15	3/4	5 1/4	5 3/4	16	3/8	5 3/4	36	1/2	3 5/8	6	5 3/4	36	3/8	2 7/8	4 1/2	5 3/4	36	1/2	2 1/2	4	5 3/4	36	7/16 x 5/8	36	36	3/16	0	128	0	127	
9'-5"	8	3/8	2 1/2	5 3/4	13	3/4	5 1/4	5 3/4	14	3/8	5 3/4	36	1/2	3 5/8	6	5 3/4	36	3/8	2 7/8	4 1/2	5 3/4	28 1/2	1/2	2 1/2	4	5 3/4	36	7/16 x 5/8	36	36	3/16	0	143	0	142	
10'-5"	8	1/2	3 1/2	5 3/4	12	3/4	5 1/4	5 3/4	13	3/8	5 3/4	28 1/2	1/2	3 5/8	6	5 3/4	36	3/8	2 7/8	4 1/2	5 3/4	10 5/16	1/2	2 1/2	4	5 3/4	36	7/16 x 5/8	36	36	3/16	0	158	0	157	
11'-5"	8	1/2	3 1/2	5 3/4	11	3/4	5 1/4	5 3/4	12	3/8	5 3/4	16 1/4	1/2	3 5/8	6	5 3/4	36	3/8	2 7/8	4 1/2	5 3/4	22 3/4	1/2	3 3/4	8	5 3/4	36	7/16 x 5/8	36	36	3/16	0	173	0	172	
12'-5"	8	3/4	3 1/4	5 3/4	10	3/4	5 1/4	5 3/4	11	3/8	5 3/4	36	1/2	3 5/8	8	5 3/4	36	3/8	2 7/8	4 1/2	5 3/4	36	3/4	4 3/8	7	5 3/4	36	7/16 x 5/8	36	36	3/16	0	188	0	187	
13'-5"	12	3/4	4 3/8	5 3/4	9	3/4	5 1/4	5 3/4	10	3/8	5 3/4	28 1/2	1/2	3 5/8	8	5 3/4	22 3/4	1/2	3 7/8	6	5 3/4	36	3/4	4 3/8	7	5 3/4	36	7/16 x 5/8	36	36	3/16	0	203	0	202	
14'-5"	11	3/4	4 3/8	5 3/4	9	3/4	5 1/4	5 3/4	9	3/8	5 3/4	14 1/4	1/2	3 5/8	8	5 3/4	28 1/2	3/4	4 1/8	6 3/4	5 3/4	36	3/4	4 3/8	7	5 3/4	36	7/16 x 5/8	36	36	3/16	0	218	0	217	
15'-5"	12	3/4	4 3/8	5 3/4	9	3/4	5 1/4	5 3/4	10	3/8	5 3/4	22 3/4	1/2	3 5/8	8	5 3/4	19	1/2	3 7/8	6	5 3/4	36	3/4	4 3/8	7	5 3/4	36	7/16 x 5/8	36	36	3/16	38	233	14	232	
16'-5"	10	3/8	2 1/2	5 3/4	8	1/2	3 1/2	5 3/4	17	3/8	5 3/4	36	1/2	3 5/8	6	5 3/4	36	3/8	2 7/8	4 1/2	5 3/4	36	1/2	2 1/2	4	5 3/4	36	7/16 x 5/8	36	24	3/16	268	248	246	247	
17'-5"	8	3/4	3 1/4	5 3/4	10	3/4	5 1/4	5 3/4	11	3/8	5 3/4	36	1/2	3 5/8	8	5 3/4	28 1/2	1/2	3 7/8	6	5 3/4	16 1/4	1/2	3 3/4	8	5 3/4	22	7/16 x 5/8	22	14	3/16	481	263	461	262	
18'-5"	9	3/4	4 3/8	5 3/4	N/A				8	3/8	5 3/4	36	3/4	5 9/16	8	5 3/4	36	3/4	5 3/4	8 3/4	5 3/4	28 1/2	3/4	4 3/8	8	5 3/4	15	7/16 x 5/8	15	10	3/16	680	278	662	277	
19'-5"	N/A				N/A				6	3/8	5 3/4	N/A				36	3/4	5 3/4	8 3/4	5 3/4	N/A						12	7/16 x 5/8	12	8	3/16	870	293	853	292	
20'-5"	10	3/4	4 3/8	6 13/16	8	3/4	5 1/4	6 13/16	17	1/2	6 13/16	36	3/4	5 9/16	8	6 13/16	36	3/4	5 3/4	8 3/4	6 13/16	22 3/4	3/4	4 3/8	7	6 13/16	36	9/16 x 3/4	36	20	1/4	663	306	652	307	
21'-5"	8	3/4	4 3/8	6 13/16	N/A				14	1/2	6 13/16	36	3/4	5 9/16	8	6 13/16	36	3/4	5 3/4	8 3/4	6 13/16	N/A						30	9/16 x 3/4	30	17	1/4	811	321	801	322
22'-5"	N/A				N/A				12	1/2	6 13/16	N/A				N/A						N/A						25	9/16 x 3/4	25	13	1/4	994	336	984	337
23'-5"	N/A				N/A				10	1/2	6 13/16	N/A				N/A						N/A						21	9/16 x 3/4	21	12	1/4	1136	351	1127	352
24'-5"	N/A				N/A				9	1/2	6 13/16	N/A				N/A						N/A						19	9/16 x 3/4	19	10	1/4	1276	366	1266	367
25'-5"	N/A				N/A				8	1/2	6 13/16	N/A				N/A						N/A						17	9/16 x 3/4	17	9	1/4	1413	382	1403	382
26'-5"	N/A				N/A				10	5/8	6 7/8	N/A				N/A						N/A						24	11/16 x 7/8	24	13	5/16	1548	397	1539	397
27'-5"	N/A				N/A				9	5/8	6 7/8	N/A				N/A						N/A						22	11/16 x 7/8	22	12	5/16	1683	412	1674	413
28'-5"	N/A				N/A				9	5/8	6 7/8	N/A				N/A						N/A						20	11/16 x 7/8	20	11	5/16	1817	427	1807	428
29'-5"	N/A				N/A				8	5/8	6 7/8	N/A				N/A						N/A						19	11/16 x 7/8	19	10	5/16	1950	442	1941	443
30'-5"	N/A				N/A				8	5/8	6 7/8	N/A				N/A						N/A						18	11/16 x 7/8	18	10	5/16	2084	457	2074	458
31'-5"	N/A				N/A				12	3/4	7 1/2	N/A				N/A						N/A						36	13/16 x 1	36	24	3/8	1806	471	1797	472
32'-5"	N/A				N/A				11	3/4	7 1/2	N/A				N/A						N/A						36	13/16 x 1	36	23	3/8	1920	486	1911	487
33'-5"	N/A				N/A				10	3/4	7 1/2	N/A				N/A						N/A						36	13/16 x 1	36	22	3/8	2034	501	2025	502
34'-5"	N/A				N/A				10	3/4	7 1/2	N/A				N/A						N/A						36	13/16 x 1	36	20	3/8	2149	517	2140	517
35'-5"	N/A				N/A				9	3/4	7 1/2	N/A				N/A						N/A						36	13/16 x 1	36	19	3/8	2264	532	2255	532
36'-5"	N/A				N/A				9	3/4	7 1/2	N/A				N/A						N/A						34	13/16 x 1	34	18	3/8	2380	547	2371	547
37'-5"	N/A				N/A				8	3/4	7 1/2	N/A				N/A						N/A						33	13/16 x 1	33	18	3/8	2496	562	2487	563
38'-5"	N/A				N/A				8	3/4	7 1/2	N/A				N/A						N/A						31	13/16 x 1	31	17	3/8	2613	577	2604	578
39'-5"	N/A				N/A				8																											

L'TR	REVISION	DATE	BY	E.C.O.
*	ORIGINAL ISSUE	10/16/14	TJE	1615
A	REMOVED SPECIFIC ENDLOCK, ADD INNER ANGLE NOTE	12/11/17	CJR	1663
B	REVISED BOTTOM BAR DETAIL; HOOD SUPPORT UPDATE	02/19/20	MAN	2027

CP0001/CP0651 - 0.0405/0.0220 Minimum Thickness Galvanized or Stainless Steel - 40 PSF																							
Concrete Minimum 3,000 PSI Compressive Strength (Anchors are the same diameter as assembly fasteners)																							
DBG Up To	Windlock Flat Location	Slip	Windlock	Guide Assembly	Windlock Weld Pitch	Assembly Fastener Diameter	Assembly Fastener Spacing	Hilti Kwik Bolt 3				Simpson Wedge All				Red Head Tru-Bolt				Powers Wedge-Bolt			
								Max O.C.	Embed	Min. Wall Thick.	Edge Dist	Max O.C.	Embed	Min. Wall Thick.	Edge Dist	Max O.C.	Embed	Min. Wall Thick.	Edge Dist	Max O.C.	Embed	Min. Wall Thick.	Edge Dist
5'-5"	N/A	N/A	N/A	344*	N/A	3/8	24	36	2 3/8	4	5 3/4	19	2 5/8	3 15/16	5 3/4	19	3	4 1/2	5 3/4	15	2	3	5 3/4
6'-5"	N/A	N/A	N/A	344*	N/A	3/8	24	36	2 3/8	4	5 3/4	16	2 5/8	3 15/16	5 3/4	16	3	4 1/2	5 3/4	12	2	3	5 3/4
7'-5"	N/A	N/A	N/A	344*	N/A	3/8	24	36	2 3/8	4	5 3/4	14	2 5/8	3 15/16	5 3/4	14	3	4 1/2	5 3/4	11	2	3	5 3/4
8'-5"	N/A	N/A	N/A	344*	N/A	3/8	24	22	2 3/8	4	5 3/4	12	2 5/8	3 15/16	5 3/4	12	3	4 1/2	5 3/4	9	2	3	5 3/4
9'-5"	N/A	N/A	N/A	344*	N/A	3/8	24	8	2 3/8	4	5 3/4	11	2 5/8	3 15/16	5 3/4	11	3	4 1/2	5 3/4	8	2	3	5 3/4
10'-5"	N/A	N/A	N/A	344*	N/A	3/8	24	7	2 3/8	5	5 3/4	10	2 5/8	3 15/16	5 3/4	10	3	4 1/2	5 3/4	7	2	3	5 3/4
11'-5"	N/A	N/A	N/A	344*	N/A	3/8	24	N/A				9	2 5/8	3 15/16	5 3/4	9	3	4 1/2	5 3/4	7	2	3	5 3/4
12'-5"	N/A	N/A	N/A	344*	N/A	3/8	24	N/A				8	2 5/8	3 15/16	5 3/4	8	3	4 1/2	5 3/4	6	2	3	5 3/4
14'-5"	1 3/8	0.594	CP0629	344	12	3/8	18	36	2 3/8	4	5 3/4	15	2 5/8	3 15/16	5 3/4	15	3	4 1/2	5 3/4	12	2 1/2	3 3/4	5 3/4
15'-5"	1 1/2	0.719	CP0629	344	12	3/8	18	19	2 3/8	4	5 3/4	12	2 5/8	3 15/16	5 3/4	12	3	4 1/2	5 3/4	7	2	3	5 3/4
16'-5"	1 1/2	0.719	CP0629	344	12	3/8	13	N/A				8	2 5/8	3 15/16	5 3/4	8	3	4 1/2	5 3/4	5	2	3	5 3/4
17'-5"	1 3/4	0.969	CP0629	445	12	1/2	18	36	3 5/8	6	6 13/16	17	4 1/2	6 3/4	6 13/16	13	4 1/8	6 3/16	6 13/16	7	2 1/2	3 3/4	6 13/16
18'-5"	2	1.219	CP0629	445	12	1/2	18	36	3 5/8	6	6 13/16	15	4 1/2	6 3/4	6 13/16	12	4 1/8	6 3/16	6 13/16	7	2 1/2	3 3/4	6 13/16
19'-5"	2	1.219	CP0629	445	11	1/2	18	22	3 5/8	6	6 13/16	12	4 1/2	6 3/4	6 13/16	10	4 1/8	6 3/16	6 13/16	8	3 1/2	5 1/4	6 13/16
20'-5"	2	1.156	CP0630	445	9	1/2	15	N/A				10	4 1/2	6 3/4	6 13/16	8	4 1/8	6 3/16	6 13/16	7	3 1/2	5 1/4	6 13/16
21'-5"	2	1.156	CP0630	445	9	1/2	13	N/A				9	4 1/2	6 3/4	6 13/16	7	4 1/8	6 3/16	6 13/16	6	3 1/2	5 1/4	6 13/16
22'-5"	2	1.156	CP0630	446	8	5/8	18	N/A				11	4 1/2	6 3/4	6 7/8	N/A				9	5	7 1/2	6 7/8
23'-5"	2	1.156	CP0630	546	8	5/8	17	N/A				9	4 1/2	6 3/4	6 7/8	N/A				8	5	7 1/2	6 7/8
24'-5"	2	1.156	CP0630 & CP0647	546	7	5/8	16	N/A				9	4 1/2	6 3/4	6 7/8	N/A				8	5	7 1/2	6 7/8
25'-5"	2	1.156	CP0630 & CP0647	546	7	5/8	15	N/A				8	4 1/2	6 3/4	6 7/8	N/A				N/A			
26'-5"	2 1/2	1.656	CP0630 & CP0647	548	7	3/4	18	28	5 5/8	8	7 1/2	12	5	7 1/2	7 1/2	13	6 5/8	9 15/16	7 1/2	N/A			
27'-5"	2 1/2	1.656	CP0630 & CP0647	548	7	3/4	18	N/A				11	5	7 1/2	7 1/2	12	6 5/8	9 15/16	7 1/2	N/A			
28'-5"	2 1/2	1.656	CP0630 & CP0647	548	7	3/4	18	N/A				10	5	7 1/2	7 1/2	11	6 5/8	9 15/16	7 1/2	N/A			
29'-5"	2 1/2	1.656	CP0630 & CP0647	548	7	3/4	18	N/A				9	5	7 1/2	7 1/2	10	6 5/8	9 15/16	7 1/2	N/A			
30'-5"	2 1/2	1.656	CP0630 & CP0647	548	6	3/4	18	N/A				9	5	7 1/2	7 1/2	10	6 5/8	9 15/16	7 1/2	N/A			
31'-5"	2 1/2	1.656	CP0630 & CP0647	548	6	3/4	17	N/A				8	5	7 1/2	7 1/2	9	6 5/8	9 15/16	7 1/2	N/A			
32'-5"	2 1/2	1.656	CP0630 & CP0647	648	6	3/4	16	N/A				8	5	7 1/2	7 1/2	7	6 5/8	9 15/16	7 1/2	N/A			
33'-5"	2 1/2	1.656	CP0630 & CP0647	648	6	3/4	15	N/A				7	5	7 1/2	7 1/2	6	6 5/8	9 15/16	7 1/2	N/A			
34'-5"	2 1/2	1.656	CP0630 & CP0647	648	6	3/4	14	N/A				7	5	7 1/2	7 1/2	N/A				N/A			
35'-5"	2 1/2	1.656	CP0630 & CP0647	648	5	3/4	14	N/A				7	5	7 1/2	7 1/2	N/A				N/A			
36'-5"	2 1/2	1.656	CP0630 & CP0647	648	5	3/4	13	N/A				N/A				N/A				N/A			
37'-5"	2 1/2	1.656	CP0630 & CP0647	648	5	3/4	13	N/A				N/A				N/A				N/A			
38'-5"	2 1/2	1.656	CP0630 & CP0647	648	5	3/4	12	N/A				N/A				N/A				N/A			



	24 ELMWOOD AVE 1901 S. LITCHFIELD RD MOUNTAINTOP, PA GOODYEAR, AZ		Unless otherwise specified, dimensions are in inches & tolerances are:		
	P: 800.233.8366 F: 800.526.0841 E: ADS@CORNELLIRON.COM		0.000 = +/- 0.031 FRACTIONAL = +/- 1/32 ANGLES = +/- 1/2 DEG		
TITLE: WIND LOAD CONFIGURATION INSULATED ROLLING STEEL DOOR CP0001/CP0651 SLAT IMPACT RATED		DRAWN BY: <b>TJE</b>	SIZE: <b>B</b>	SCALE: <b>AS NOTED</b>	SHEET: <b>28/40</b>
		DWG NO: <b>ES-16-63-CIW</b>			

L/TR	REVISION	DATE	BY	E.C.O.
*	ORIGINAL ISSUE	10/16/14	TJE	1615
A	REMOVED SPECIFIC ENDLOCK, ADD INNER ANGLE NOTE	12/11/17	CJR	1663
B	REVISED BOTTOM BAR DETAIL; HOOD SUPPORT UPDATE	02/19/20	MAN	2027

CP0001/CP0651 - 0.0405/0.0220 Minimum Thickness Galvanized or Stainless Steel - 40 PSF, Cont.																																			
DBG Up To	Filled CMU									Cracked Concrete Minimum 3,000 PSI Compressive Strength															Steel (Wall anchors are the same diameter as assembly fasteners)					Superimposed Loads					
	Hilti Kwik Bolt 3				Simpson Strong-Bolt 2				Through Bolt			Hilti Kwik Bolt TZ					Simpson Strong-Bolt 2					ITW Redhead Trubolt+					Welded		Through Bolt					Tapped	
	Max O.C.	Dia.	Embed	Edge Dist	Max O.C.	Dia.	Embed	Edge Dist	Max O.C.	Dia.	Edge Distance	Max O.C.	Dia.	Embed.	Min Wall Thick.	Edge Dist	Max O.C.	Dia.	Embed.	Min Wall Thick.	Edge Dist	Max O.C.	Dia.	Embed.	Min Wall Thick.	Edge Dist	Max O.C.	Slot Size	Max O.C.	Max O.C.	Min. Thickness	Vx (+)	Vy (+)	Vx (-)	Vy (-)
5'-5"	10	3/8	2 1/2	5 3/4	9	1/2	3 1/2	5 3/4	19	3/8	5 3/4	12 5/8	3/8	2 5/16	5	5 3/4	36	3/8	2 7/8	4 1/2	5 3/4	16 1/4	3/8	2	5	5 3/4	36	7/16 x 5/8	36	36	3/16	0	110	0	109
6'-5"	9	3/8	2 1/2	5 3/4	15	3/4	5 1/4	5 3/4	16	3/8	5 3/4	36	1/2	3 5/8	6	5 3/4	36	3/8	2 7/8	4 1/2	5 3/4	36	1/2	2 1/2	4	5 3/4	36	7/16 x 5/8	36	36	3/16	0	130	0	129
7'-5"	8	3/8	2 1/2	5 3/4	13	3/4	5 1/4	5 3/4	14	3/8	5 3/4	36	1/2	3 5/8	6	5 3/4	36	3/8	2 7/8	4 1/2	5 3/4	16 1/4	1/2	2 1/2	4	5 3/4	36	7/16 x 5/8	36	36	3/16	0	150	0	149
8'-5"	8	1/2	3 1/2	5 3/4	11	3/4	5 1/4	5 3/4	12	3/8	5 3/4	19	1/2	3 5/8	6	5 3/4	36	3/8	2 7/8	4 1/2	5 3/4	22 3/4	1/2	3 3/4	8	5 3/4	36	7/16 x 5/8	36	36	3/16	0	170	0	169
9'-5"	8	3/4	3 1/4	5 3/4	10	3/4	5 1/4	5 3/4	11	3/8	5 3/4	36	1/2	3 5/8	8	5 3/4	36	3/8	2 7/8	4 1/2	5 3/4	36	3/4	4 3/8	7	5 3/4	36	7/16 x 5/8	36	36	3/16	0	190	0	189
10'-5"	12	3/4	4 3/8	5 3/4	9	3/4	5 1/4	5 3/4	10	3/8	5 3/4	19	1/2	3 5/8	8	5 3/4	16 1/4	1/2	3 7/8	6	5 3/4	36	3/4	4 3/8	7	5 3/4	36	7/16 x 5/8	36	36	3/16	0	210	0	209
11'-5"	11	3/4	4 3/8	5 3/4	8	3/4	5 1/4	5 3/4	9	3/8	5 3/4	36	3/4	5 9/16	8	5 3/4	22 3/4	3/4	4 1/8	6 3/4	5 3/4	22 3/4	3/4	4 3/8	7	5 3/4	36	7/16 x 5/8	36	36	3/16	0	230	0	229
12'-5"	10	3/4	4 3/8	5 3/4	N/A				8	3/8	5 3/4	36	3/4	5 9/16	8	5 3/4	36	3/4	5 3/4	8 3/4	5 3/4	36	3/4	4 3/8	8	5 3/4	36	7/16 x 5/8	36	36	3/16	0	250	0	249
14'-5"	8	3/8	2 1/2	5 3/4	13	3/4	5 1/4	5 3/4	15	3/8	5 3/4	36	1/2	3 5/8	6	5 3/4	36	3/8	2 7/8	4 1/2	5 3/4	28 1/2	1/2	2 1/2	4	5 3/4	36	7/16 x 5/8	36	26	3/16	245	290	213	289
15'-5"	8	1/2	3 1/2	5 3/4	11	3/4	5 1/4	5 3/4	12	3/8	5 3/4	28 1/2	1/2	3 5/8	6	5 3/4	19	1/2	2 3/4	4 1/2	5 3/4	36	1/2	3 3/4	8	5 3/4	26	7/16 x 5/8	26	16	3/16	400	310	373	309
16'-5"	9	3/4	4 3/8	5 3/4	N/A				8	3/8	5 3/4	36	3/4	5 9/16	8	5 3/4	36	3/4	5 3/4	8 3/4	5 3/4	28 1/2	3/4	4 3/8	8	5 3/4	16	7/16 x 5/8	16	10	3/16	666	330	641	329
17'-5"	10	3/4	4 3/8	6 13/16	N/A				17	1/2	6 13/16	36	3/4	5 9/16	8	6 13/16	36	3/4	5 3/4	8 3/4	6 13/16	19	3/4	4 3/8	7	6 13/16	36	9/16 x 3/4	36	20	1/4	668	349	651	349
18'-5"	9	3/4	4 3/8	6 13/16	N/A				15	1/2	6 13/16	36	3/4	5 9/16	8	6 13/16	36	3/4	5 3/4	8 3/4	6 13/16	28 1/2	3/4	4 3/8	8	6 13/16	35	9/16 x 3/4	35	19	1/4	706	368	693	369
19'-5"	N/A				N/A				12	1/2	6 13/16	22 3/4	3/4	5 9/16	8	6 13/16	36	3/4	5 3/4	8 3/4	6 13/16	N/A					27	9/16 x 3/4	27	15	1/4	899	388	886	389
20'-5"	N/A				N/A				10	1/2	6 13/16	N/A					N/A					N/A					22	9/16 x 3/4	22	12	1/4	1130	408	1117	409
21'-5"	N/A				N/A				9	1/2	6 13/16	N/A					N/A					N/A					18	9/16 x 3/4	18	10	1/4	1313	428	1301	429
22'-5"	N/A				N/A				11	5/8	6 7/8	N/A					N/A					N/A					25	11/16 x 7/8	25	14	5/16	1492	448	1479	449
23'-5"	N/A				N/A				9	5/8	6 7/8	N/A					N/A					N/A					22	11/16 x 7/8	22	12	5/16	1667	469	1655	470
24'-5"	N/A				N/A				9	5/8	6 7/8	N/A					N/A					N/A					20	11/16 x 7/8	20	11	5/16	1841	489	1829	490
25'-5"	N/A				N/A				8	5/8	6 7/8	N/A					N/A					N/A					18	11/16 x 7/8	18	10	5/16	2013	509	2001	510
26'-5"	N/A				N/A				12	3/4	7 1/2	N/A					N/A					N/A					36	13/16 x 1	36	25	3/8	1761	528	1749	528
27'-5"	N/A				N/A				11	3/4	7 1/2	N/A					N/A					N/A					36	13/16 x 1	36	23	3/8	1907	548	1895	548
28'-5"	N/A				N/A				10	3/4	7 1/2	N/A					N/A					N/A					36	13/16 x 1	36	21	3/8	2053	568	2042	568
29'-5"	N/A				N/A				9	3/4	7 1/2	N/A					N/A					N/A					36	13/16 x 1	36	20	3/8	2199	588	2188	589
30'-5"	N/A				N/A				9	3/4	7 1/2	N/A					N/A					N/A					34	13/16 x 1	34	19	3/8	2345	608	2334	609
31'-5"	N/A				N/A				8	3/4	7 1/2	N/A					N/A					N/A					32	13/16 x 1	32	17	3/8	2492	629	2480	629
32'-5"	N/A				N/A				8	3/4	7 1/2	N/A					N/A					N/A					31	13/16 x 1	31	16	3/8	2639	649	2627	649
33'-5"	N/A				N/A				7	3/4	7 1/2	N/A					N/A					N/A					29	13/16 x 1	29	16	3/8	2787	669	2775	670
34'-5"	N/A				N/A				7	3/4	7 1/2	N/A					N/A					N/A					28	13/16 x 1	28	15	3/8	2935	689	2924	690
35'-5"	N/A				N/A				7	3/4	7 1/2	N/A					N/A					N/A					26	13/16 x 1	26	14	3/8	3085	710	3073	710
36'-5"	N/A				N/A				13	3/4	0	N/A					N/A					N/A					25	13/16 x 1	25	13	3/8	3235	730	3223	731
37'-5"	N/A				N/A				13	3/4	0	N/A					N/A					N/A					24	13/16 x 1	24	13	3/8	3387	750	3375	751
38'-5"	N/A				N/A				12	3/4	0	N/A					N/A					N/A					23	13/16 x 1	23	12	3/8	3539	771	3528	771



	24 ELMWOOD AVE 1901 S. LITCHFIELD RD MOUNTAINTOP, PA GOODYEAR, AZ	Unless otherwise specified, dimensions are in inches & tolerances are:  0.000 = +/- 0.031 FRACTIONAL = +/- 1/32 ANGLES = +/- 1/2 DEG
	P: 800.233.8366 F: 800.526.0841 E: ADS@CORNELLIRON.COM	TITLE: WIND LOAD CONFIGURATION INSULATED ROLLING STEEL DOOR CP0001/CP0651 SLAT IMPACT RATED
	SIZE: B SCALE: AS NOTED SHEET: 29/40	

L'TR	REVISION	DATE	BY	E.C.O.
*	ORIGINAL ISSUE	10/16/14	TJE	1615
A	REMOVED SPECIFIC ENDLOCK, ADD INNER ANGLE NOTE	12/11/17	CJR	1663
B	REVISED BOTTOM BAR DETAIL; HOOD SUPPORT UPDATE	02/19/20	MAN	2027

CP0001/CP0651 - 0.0405/0.0220 Minimum Thickness Galvanized or Stainless Steel - 50 PSF																							
Concrete Minimum 3,000 PSI Compressive Strength (Anchors are the same diameter as assembly fasteners)																							
DBG Up To	Windlock Flat Location	Slip	Windlock	Guide Assembly	Windlock Weld Pitch	Assembly Fastener Diameter	Assembly Fastener Spacing	Hilti Kwik Bolt 3				Simpson Wedge All				Red Head Tru-Bolt				Powers Wedge-Bolt			
								Max O.C.	Embed	Min. Wall Thick.	Edge Dist	Max O.C.	Embed	Min. Wall Thick.	Edge Dist	Max O.C.	Embed	Min. Wall Thick.	Edge Dist	Max O.C.	Embed	Min. Wall Thick.	Edge Dist
5'-5"	N/A	N/A	N/A	344*	N/A	3/8	24	36	2 3/8	4	5 3/4	15	2 5/8	3 15/16	5 3/4	15	3	4 1/2	5 3/4	12	2	3	5 3/4
6'-5"	N/A	N/A	N/A	344*	N/A	3/8	24	28	2 3/8	4	5 3/4	12	2 5/8	3 15/16	5 3/4	13	3	4 1/2	5 3/4	10	2	3	5 3/4
7'-5"	N/A	N/A	N/A	344*	N/A	3/8	24	9	2 3/8	4	5 3/4	11	2 5/8	3 15/16	5 3/4	11	3	4 1/2	5 3/4	8	2	3	5 3/4
8'-5"	N/A	N/A	N/A	344*	N/A	3/8	24	N/A				9	2 5/8	3 15/16	5 3/4	10	3	4 1/2	5 3/4	7	2	3	5 3/4
9'-5"	N/A	N/A	N/A	344*	N/A	3/8	24	N/A				8	2 5/8	3 15/16	5 3/4	9	3	4 1/2	5 3/4	7	2	3	5 3/4
10'-5"	N/A	N/A	N/A	344*	N/A	3/8	24	N/A				8	2 5/8	3 15/16	5 3/4	8	3	4 1/2	5 3/4	6	2	3	5 3/4
11'-5"	N/A	N/A	N/A	344*	N/A	3/8	24	N/A				7	2 5/8	3 15/16	5 3/4	7	3	4 1/2	5 3/4	5	2	3	5 3/4
12'-5"	1 5/16	0.532	CP0629	DC1	12	1/2	18	16	3 1/2	5 1/4	5 3/4	16	4 1/2	6 3/4	5 3/4	N/A				N/A			
14'-5"	1 3/8	0.594	CP0629	344	12	3/8	13	N/A				8	2 5/8	3 15/16	5 3/4	8	3	4 1/2	5 3/4	6	2 1/2	3 3/4	5 3/4
15'-5"	1 1/2	0.719	CP0629	344	11	3/8	11	N/A				7	2 5/8	3 15/16	5 3/4	7	3	4 1/2	5 3/4	5	2 1/2	3 3/4	5 3/4
16'-5"	1 5/8	0.844	CP0629	445	10	1/2	18	22	3 5/8	6	6 13/16	13	4 1/2	6 3/4	6 13/16	10	4 1/8	6 3/16	6 13/16	8	3 1/2	5 1/4	6 13/16
17'-5"	1 7/8	1.031	CP0630	445	10	1/2	16	36	3 5/8	8	6 13/16	11	4 1/2	6 3/4	6 13/16	9	4 1/8	6 3/16	6 13/16	8	3 1/2	5 1/4	6 13/16
18'-5"	2	1.156	CP0630	445	9	1/2	14	N/A				10	4 1/2	6 3/4	6 13/16	8	4 1/8	6 3/16	6 13/16	7	3 1/2	5 1/4	6 13/16
19'-5"	2	1.156	CP0630	445	9	1/2	12	N/A				8	4 1/2	6 3/4	6 13/16	7	4 1/8	6 3/16	6 13/16	7	4	6	6 13/16
20'-5"	2	1.156	CP0630	446	8	5/8	18	N/A				10	4 1/2	6 3/4	6 7/8	N/A				9	5	7 1/2	6 7/8
21'-5"	2	1.156	CP0630 & CP0647	546	7	5/8	16	N/A				9	4 1/2	6 3/4	6 7/8	N/A				8	5	7 1/2	6 7/8
22'-5"	2	1.156	CP0630 & CP0647	546	7	5/8	14	N/A				8	4 1/2	6 3/4	6 7/8	N/A				N/A			
23'-5"	2 1/2	1.656	CP0630 & CP0647	548	7	3/4	18	28	5 5/8	8	7 1/2	11	5	7 1/2	7 1/2	13	6 5/8	9 15/16	7 1/2	N/A			
24'-5"	2 1/2	1.656	CP0630 & CP0647	548	7	3/4	18	N/A				10	5	7 1/2	7 1/2	12	6 5/8	9 15/16	7 1/2	N/A			
25'-5"	2 1/2	1.656	CP0630 & CP0647	548	7	3/4	18	N/A				10	5	7 1/2	7 1/2	11	6 5/8	9 15/16	7 1/2	N/A			
26'-5"	2 1/2	1.656	CP0630 & CP0647	548	6	3/4	18	N/A				9	5	7 1/2	7 1/2	10	6 5/8	9 15/16	7 1/2	N/A			
27'-5"	2 1/2	1.656	CP0630 & CP0647	648	6	3/4	17	N/A				8	5	7 1/2	7 1/2	8	6 5/8	9 15/16	7 1/2	N/A			
28'-5"	2 1/2	1.656	CP0630 & CP0647	648	6	3/4	16	N/A				8	5	7 1/2	7 1/2	7	6 5/8	9 15/16	7 1/2	N/A			
29'-5"	2 1/2	1.656	CP0630 & CP0647	648	6	3/4	15	N/A				7	5	7 1/2	7 1/2	5	6 5/8	9 15/16	7 1/2	N/A			
30'-5"	2 1/2	1.656	CP0630 & CP0647	648	6	3/4	14	N/A				7	5	7 1/2	7 1/2	N/A				N/A			
31'-5"	2 1/2	1.656	CP0630 & CP0647	648	5	3/4	13	N/A				N/A				N/A				N/A			
32'-5"	2 1/2	1.656	CP0630 & CP0647	648	5	3/4	13	N/A				N/A				N/A				N/A			



	24 ELMWOOD AVE 1901 S. LITCHFIELD RD MOUNTAINTOP, PA GOODYEAR, AZ	Unless otherwise specified, dimensions are in inches & tolerances are:  0.000 = +/- 0.031 FRACTIONAL = +/- 1/32 ANGLES = +/- 1/2 DEG
	P: 800.233.8366 F: 800.526.0841 E: ADS@CORNELLIRON.COM	TITLE: WIND LOAD CONFIGURATION INSULATED ROLLING STEEL DOOR CP0001/CP0651 SLAT IMPACT RATED
	SIZE: B SCALE: AS NOTED SHEET: 30/40	

L'TR	REVISION	DATE	BY	E.C.O.
*	ORIGINAL ISSUE	10/16/14	TJE	1615
A	REMOVED SPECIFIC ENDLOCK, ADD INNER ANGLE NOTE	12/11/17	CJR	1663
B	REVISED BOTTOM BAR DETAIL; HOOD SUPPORT UPDATE	02/19/20	MAN	2027

CP0001/CP0651 - 0.0405/0.0220 Minimum Thickness Galvanized or Stainless Steel - 50 PSF, Cont.																					
DBG Up To	Filled CMU												Steel (Wall anchors are the same diameter as assembly fasteners)					Superimposed Loads			
	Hilti Kwik Bolt 3				Simpson Strong-Bolt 2				Through Bolt				Welded		Through Bolt	Tapped		Vx (+)	Vy (+)	Vx (-)	Vy (-)
	Max O.C.	Dia.	Embed	Edge Dist	Max O.C.	Dia.	Embed	Edge Dist	Max O.C.	Dia.	Edge Distance	Max O.C.	Slot Size	Max O.C.	Max O.C.	Min. Thickness					
5'-5"	8	3/8	2 1/2	5 3/4	14	3/4	5 1/4	5 3/4	15	3/8	5 3/4	36	7/16 x 5/8	36	36	3/16	0	138	0	136	
6'-5"	8	1/2	3 1/2	5 3/4	12	3/4	5 1/4	5 3/4	12	3/8	5 3/4	36	7/16 x 5/8	36	36	3/16	0	163	0	161	
7'-5"	8	3/4	3 1/4	5 3/4	10	3/4	5 1/4	5 3/4	11	3/8	5 3/4	36	7/16 x 5/8	36	36	3/16	0	188	0	186	
8'-5"	11	3/4	4 3/8	5 3/4	9	3/4	5 1/4	5 3/4	9	3/8	5 3/4	36	7/16 x 5/8	36	36	3/16	0	213	0	211	
9'-5"	10	3/4	4 3/8	5 3/4	8	3/4	5 1/4	5 3/4	8	3/8	5 3/4	36	7/16 x 5/8	36	36	3/16	0	238	0	236	
10'-5"	9	3/4	4 3/8	5 3/4	N/A				8	3/8	5 3/4	36	7/16 x 5/8	36	36	3/16	0	263	0	261	
11'-5"	8	3/4	4 3/8	5 3/4	N/A				7	3/8	5 3/4	36	7/16 x 5/8	36	36	3/16	0	288	0	286	
12'-5"	8	1/2	3 1/2	5 3/4	8	1/2	4 1/2	5 3/4	N/A				18	9/16 x 3/4	18	18	1/4	0	313	0	310
14'-5"	10	3/4	4 3/8	5 3/4	N/A				8	3/8	5 3/4	17	7/16 x 5/8	17	11	3/16	607	363	571	362	
15'-5"	8	3/4	4 3/8	5 3/4	N/A				7	3/8	5 3/4	14	7/16 x 5/8	14	9	3/16	762	387	733	387	
16'-5"	N/A				N/A				13	1/2	6 13/16	27	9/16 x 3/4	27	15	1/4	905	411	883	411	
17'-5"	N/A				N/A				11	1/2	6 13/16	25	9/16 x 3/4	25	14	1/4	984	436	966	436	
18'-5"	N/A				N/A				10	1/2	6 13/16	22	9/16 x 3/4	22	12	1/4	1117	460	1101	461	
19'-5"	N/A				N/A				8	1/2	6 13/16	18	9/16 x 3/4	18	10	1/4	1343	485	1328	486	
20'-5"	N/A				N/A				10	5/8	6 7/8	24	11/16 x 7/8	24	13	5/16	1563	510	1548	511	
21'-5"	N/A				N/A				9	5/8	6 7/8	21	11/16 x 7/8	21	11	5/16	1778	535	1763	537	
22'-5"	N/A				N/A				8	5/8	6 7/8	18	11/16 x 7/8	18	10	5/16	1989	561	1974	562	
23'-5"	N/A				N/A				11	3/4	7 1/2	36	13/16 x 1	36	25	3/8	1757	585	1742	585	
24'-5"	N/A				N/A				10	3/4	7 1/2	36	13/16 x 1	36	22	3/8	1936	610	1921	610	
25'-5"	N/A				N/A				10	3/4	7 1/2	36	13/16 x 1	36	21	3/8	2113	635	2098	635	
26'-5"	N/A				N/A				9	3/4	7 1/2	35	13/16 x 1	35	19	3/8	2290	660	2276	660	
27'-5"	N/A				N/A				8	3/4	7 1/2	33	13/16 x 1	33	18	3/8	2467	685	2452	686	
28'-5"	N/A				N/A				8	3/4	7 1/2	30	13/16 x 1	30	16	3/8	2643	710	2629	711	
29'-5"	N/A				N/A				7	3/4	7 1/2	29	13/16 x 1	29	15	3/8	2821	736	2807	736	
30'-5"	N/A				N/A				7	3/4	7 1/2	27	13/16 x 1	27	14	3/8	2999	761	2985	762	
31'-5"	N/A				N/A				14	3/4	0	25	13/16 x 1	25	14	3/8	3178	786	3164	787	
32'-5"	N/A				N/A				13	3/4	0	24	13/16 x 1	24	13	3/8	3357	812	3343	812	



	24 ELMWOOD AVE 1901 S. LITCHFIELD RD MOUNTAINTOP, PA GOODYEAR, AZ	Unless otherwise specified, dimensions are in inches & tolerances are:  0.000 = +/- 0.031 FRACTIONAL = +/- 1/32 ANGLES = +/- 1/2 DEG
	P: 800.233.8366 F: 800.526.0841 E: ADS@CORNELLIRON.COM	TITLE: WIND LOAD CONFIGURATION INSULATED ROLLING STEEL DOOR CP0001/CP0651 SLAT IMPACT RATED

L'TR	REVISION	DATE	BY	E.C.O.
*	ORIGINAL ISSUE	10/16/14	TJE	1615
A	REMOVED SPECIFIC ENDLOCK, ADD INNER ANGLE NOTE	12/11/17	CJR	1663
B	REVISED BOTTOM BAR DETAIL; HOOD SUPPORT UPDATE	02/19/20	MAN	2027

CP0001/CP0651 - 0.0405/0.0220 Minimum Thickness Galvanized or Stainless Steel - 60 PSF																							
Concrete Minimum 3,000 PSI Compressive Strength (Anchors are the same diameter as assembly fasteners)																							
DBG Up To	Windlock Flat Location	Slip	Windlock	Guide Assembly	Windlock Weld Pitch	Assembly Fastener Diameter	Assembly Fastener Spacing	Hilti Kwik Bolt 3				Simpson Wedge All				Red Head Tru-Bolt				Powers Wedge-Bolt			
								Max O.C.	Embed	Min. Wall Thick.	Edge Dist	Max O.C.	Embed	Min. Wall Thick.	Edge Dist	Max O.C.	Embed	Min. Wall Thick.	Edge Dist	Max O.C.	Embed	Min. Wall Thick.	Edge Dist
5'-5"	N/A	N/A	N/A	344*	N/A	3/8	24	28	2 3/8	4	5 3/4	12	2 5/8	3 15/16	5 3/4	13	3	4 1/2	5 3/4	10	2	3	5 3/4
6'-5"	N/A	N/A	N/A	344*	N/A	3/8	24	16	2 3/8	5	5 3/4	10	2 5/8	3 15/16	5 3/4	11	3	4 1/2	5 3/4	8	2	3	5 3/4
7'-5"	N/A	N/A	N/A	344*	N/A	3/8	24	N/A				9	2 5/8	3 15/16	5 3/4	9	3	4 1/2	5 3/4	7	2	3	5 3/4
8'-5"	N/A	N/A	N/A	344*	N/A	3/8	24	N/A				8	2 5/8	3 15/16	5 3/4	8	3	4 1/2	5 3/4	6	2	3	5 3/4
9'-5"	N/A	N/A	N/A	344*	N/A	3/8	24	N/A				7	2 5/8	3 15/16	5 3/4	7	3	4 1/2	5 3/4	5	2	3	5 3/4
10'-5"	N/A	N/A	N/A	344*	N/A	3/8	24	N/A				6	2 5/8	3 15/16	5 3/4	6	3	4 1/2	5 3/4	5	2	3	5 3/4
12'-5"	1 5/16	0.532	CP0629	DC1	12	1/2	18	16	3 1/2	5 1/4	5 3/4	16	4 1/2	6 3/4	5 3/4	N/A				N/A			
14'-5"	1 7/16	0.594	CP0630	445	10	1/2	18	36	3 5/8	8	6 13/16	12	4 1/2	6 3/4	6 13/16	9	4 1/8	6 3/16	6 13/16	10	4	6	6 13/16
15'-5"	1 1/2	0.656	CP0630	445	9	1/2	14	N/A				9	4 1/2	6 3/4	6 13/16	7	4 1/8	6 3/16	6 13/16	6	3 1/2	5 1/4	6 13/16
16'-5"	1 5/8	0.781	CP0630	445	8	1/2	13	N/A				8	4 1/2	6 3/4	6 13/16	7	4 1/8	6 3/16	6 13/16	6	3 1/2	5 1/4	6 13/16
17'-5"	1 7/8	1.031	CP0630	445	9	1/2	12	N/A				8	4 1/2	6 3/4	6 13/16	6	4 1/8	6 3/16	6 13/16	7	4	6	6 13/16
18'-5"	2	1.156	CP0630	446	8	5/8	18	N/A				10	4 1/2	6 3/4	6 7/8	N/A				9	5	7 1/2	6 7/8
19'-5"	2	1.156	CP0630	546	7	5/8	16	N/A				9	4 1/2	6 3/4	6 7/8	N/A				8	5	7 1/2	6 7/8
20'-5"	2	1.156	CP0630 & CP0647	546	7	5/8	14	N/A				8	4 1/2	6 3/4	6 7/8	N/A				N/A			
21'-5"	2 1/2	1.656	CP0630 & CP0647	548	7	3/4	18	22	5 5/8	8	7 1/2	11	5	7 1/2	7 1/2	12	6 5/8	9 15/16	7 1/2	N/A			
22'-5"	2 1/2	1.656	CP0630 & CP0647	548	7	3/4	18	N/A				10	5	7 1/2	7 1/2	11	6 5/8	9 15/16	7 1/2	N/A			
23'-5"	2 1/2	1.656	CP0630 & CP0647	548	7	3/4	18	N/A				9	5	7 1/2	7 1/2	10	6 5/8	9 15/16	7 1/2	N/A			
25'-5"	2 1/2	1.656	CP0630 & CP0647	DC3	6	3/4	15	11	4 3/4	7 1/8	7 1/2	11	5	7 1/2	7 1/2	N/A				N/A			
26'-5"	2 1/2	1.656	CP0630 & CP0647	648	6	3/4	14	N/A				7	5	7 1/2	7 1/2	5	6 5/8	9 15/16	7 1/2	N/A			
27'-5"	2 1/2	1.656	CP0630 & CP0647	648	6	3/4	13	N/A				7	5	7 1/2	7 1/2	N/A				N/A			
28'-5"	2 1/2	1.656	CP0630 & CP0647	648	5	3/4	13	N/A				N/A				N/A				N/A			
29'-5"	2 1/2	1.656	CP0630 & CP0647	648	5	3/4	12	N/A				N/A				N/A				N/A			



	24 ELMWOOD AVE 1901 S. LITCHFIELD RD MOUNTAINTOP, PA GOODYEAR, AZ	Unless otherwise specified, dimensions are in inches & tolerances are:  0.000 = +/- 0.031 FRACTIONAL = +/- 1/32 ANGLES = +/- 1/2 DEG
	P: 800.233.8366 F: 800.526.0841 E: ADS@CORNELLIRON.COM	TITLE: WIND LOAD CONFIGURATION INSULATED ROLLING STEEL DOOR CP0001/CP0651 SLAT IMPACT RATED



L'TR	REVISION	DATE	BY	E.C.O.
*	ORIGINAL ISSUE	10/16/14	TJE	1615
A	REMOVED SPECIFIC ENDLOCK, ADD INNER ANGLE NOTE	12/11/17	CJR	1663
B	REVISED BOTTOM BAR DETAIL; HOOD SUPPORT UPDATE	02/19/20	MAN	2027

CP0001/CP0651 - 0.0405/0.0220 Minimum Thickness Galvanized or Stainless Steel - 60 PSF, Cont.																					
DBG Up To	Filled CMU												Steel (Wall anchors are the same diameter as assembly fasteners)				Superimposed Loads				
	Hilti Kwik Bolt 3				Simpson Strong-Bolt 2				Through Bolt				Welded		Through Bolt	Tapped		Vx (+)	Vy (+)	Vx (-)	Vy (-)
	Max O.C.	Dia.	Embed	Edge Dist	Max O.C.	Dia.	Embed	Edge Dist	Max O.C.	Dia.	Edge Distance	Max O.C.	Slot Size	Max O.C.	Max O.C.	Min. Thickness					
5'-5"	8	1/2	3 1/2	5 3/4	11	3/4	5 1/4	5 3/4	12	3/8	5 3/4	36	7/16 x 5/8	36	36	3/16	0	165	0	163	
6'-5"	8	3/4	3 1/4	5 3/4	10	3/4	5 1/4	5 3/4	10	3/8	5 3/4	36	7/16 x 5/8	36	36	3/16	0	195	0	193	
7'-5"	11	3/4	4 3/8	5 3/4	8	3/4	5 1/4	5 3/4	9	3/8	5 3/4	36	7/16 x 5/8	36	36	3/16	0	225	0	223	
8'-5"	9	3/4	4 3/8	5 3/4	N/A				8	3/8	5 3/4	36	7/16 x 5/8	36	36	3/16	0	255	0	253	
9'-5"	8	3/4	4 3/8	5 3/4	N/A				7	3/8	5 3/4	36	7/16 x 5/8	36	36	3/16	0	285	0	283	
10'-5"	8	3/4	4 3/8	5 3/4	N/A				6	3/8	5 3/4	36	7/16 x 5/8	36	36	3/16	0	315	0	313	
12'-5"	8	1/2	3 1/2	5 3/4	8	1/2	4 1/2	5 3/4	N/A				18	9/16 x 3/4	18	18	1/4	219	375	169	373
14'-5"	N/A				N/A				12	1/2	6 13/16	25	9/16 x 3/4	25	14	1/4	964	434	930	434	
15'-5"	N/A				N/A				9	1/2	6 13/16	20	9/16 x 3/4	20	11	1/4	1226	464	1196	465	
16'-5"	N/A				N/A				8	1/2	6 13/16	18	9/16 x 3/4	18	10	1/4	1363	494	1336	495	
17'-5"	N/A				N/A				8	1/2	6 13/16	18	9/16 x 3/4	18	10	1/4	1347	523	1326	524	
18'-5"	N/A				N/A				10	5/8	6 7/8	25	11/16 x 7/8	25	14	5/16	1488	552	1470	553	
19'-5"	N/A				N/A				9	5/8	6 7/8	21	11/16 x 7/8	21	11	5/16	1745	582	1727	584	
20'-5"	N/A				N/A				8	5/8	6 7/8	18	11/16 x 7/8	18	10	5/16	1996	613	1978	614	
21'-5"	N/A				N/A				11	3/4	7 1/2	36	13/16 x 1	36	24	3/8	1779	641	1761	642	
22'-5"	N/A				N/A				10	3/4	7 1/2	36	13/16 x 1	36	22	3/8	1990	672	1972	672	
23'-5"	N/A				N/A				9	3/4	7 1/2	36	13/16 x 1	36	20	3/8	2198	702	2181	702	
25'-5"	N/A				N/A				8	3/4	7 1/2	15	13/16 x 1	15	15	3/8	2612	761	2595	762	
26'-5"	N/A				N/A				7	3/4	7 1/2	28	13/16 x 1	28	15	3/8	2819	792	2802	793	
27'-5"	N/A				N/A				7	3/4	7 1/2	27	13/16 x 1	27	14	3/8	3026	822	3009	823	
28'-5"	N/A				N/A				N/A				25	13/16 x 1	25	13	3/8	3233	853	3217	854
29'-5"	N/A				N/A				N/A				23	13/16 x 1	23	12	3/8	3442	883	3426	884



	24 ELMWOOD AVE 1901 S. LITCHFIELD RD MOUNTAINTOP, PA GOODYEAR, AZ	Unless otherwise specified, dimensions are in inches & tolerances are:  0.000 = +/- 0.031 FRACTIONAL = +/- 1/32 ANGLES = +/- 1/2 DEG
	P: 800.233.8366 F: 800.526.0841 E: ADS@CORNELLIRON.COM	TITLE: WIND LOAD CONFIGURATION INSULATED ROLLING STEEL DOOR CP0001/CP0651 SLAT IMPACT RATED

L'TR	REVISION	DATE	BY	E.C.O.
*	ORIGINAL ISSUE	10/16/14	TJE	1615
A	REMOVED SPECIFIC ENDLOCK, ADD INNER ANGLE NOTE	12/11/17	CJR	1663
B	REVISED BOTTOM BAR DETAIL; HOOD SUPPORT UPDATE	02/19/20	MAN	2027

CP0001/CP0651 - 0.0405/0.0220 Minimum Thickness Galvanized or Stainless Steel - 65 PSF																							
Concrete Minimum 3,000 PSI Compressive Strength (Anchors are the same diameter as assembly fasteners)																							
DBG Up To	Windlock Flat Location	Slip	Windlock	Guide Assembly	Windlock Weld Pitch	Assembly Fastener Diameter	Assembly Fastener Spacing	Hilti Kwik Bolt 3				Simpson Wedge All				Red Head Tru-Bolt				Powers Wedge-Bolt			
								Max O.C.	Embed	Min. Wall Thick.	Edge Dist	Max O.C.	Embed	Min. Wall Thick.	Edge Dist	Max O.C.	Embed	Min. Wall Thick.	Edge Dist	Max O.C.	Embed	Min. Wall Thick.	Edge Dist
5'-5"	N/A	N/A	N/A	344*	N/A	3/8	24	16	2 3/8	4	5 3/4	11	2 5/8	3 15/16	5 3/4	12	3	4 1/2	5 3/4	9	2	3	5 3/4
6'-5"	N/A	N/A	N/A	344*	N/A	3/8	24	6	2 3/8	5	5 3/4	9	2 5/8	3 15/16	5 3/4	10	3	4 1/2	5 3/4	7	2	3	5 3/4
7'-5"	N/A	N/A	N/A	344*	N/A	3/8	24	N/A				8	2 5/8	3 15/16	5 3/4	8	3	4 1/2	5 3/4	6	2	3	5 3/4
8'-5"	N/A	N/A	N/A	344*	N/A	3/8	24	N/A				7	2 5/8	3 15/16	5 3/4	7	3	4 1/2	5 3/4	6	2	3	5 3/4
9'-5"	N/A	N/A	N/A	344*	N/A	3/8	24	N/A				6	2 5/8	3 15/16	5 3/4	7	3	4 1/2	5 3/4	5	2	3	5 3/4
12'-5"	1 5/16	0.532	CP0629	DC1	12	1/2	18	16	3 1/2	5 1/4	5 3/4	16	4 1/2	6 3/4	5 3/4	N/A				N/A			
14'-5"	1 7/16	0.594	CP0630	445	9	1/2	15	N/A				10	4 1/2	6 3/4	6 13/16	8	4 1/8	6 3/16	6 13/16	8	4	6	6 13/16
15'-5"	1 1/2	0.656	CP0630	445	8	1/2	13	N/A				8	4 1/2	6 3/4	6 13/16	6	4 1/8	6 3/16	6 13/16	7	4	6	6 13/16
16'-5"	1 5/8	0.781	CP0630	446	8	5/8	18	N/A				10	4 1/2	6 3/4	6 7/8	N/A				9	5	7 1/2	6 7/8
17'-5"	1 7/8	1.031	CP0630	446	8	5/8	18	N/A				10	4 1/2	6 3/4	6 7/8	N/A				9	5	7 1/2	6 7/8
18'-5"	2	1.156	CP0630	546	8	5/8	16	N/A				9	4 1/2	6 3/4	6 7/8	N/A				8	5	7 1/2	6 7/8
19'-5"	2	1.156	CP0630 & CP0647	546	7	5/8	14	N/A				8	4 1/2	6 3/4	6 7/8	N/A				7	5	7 1/2	6 7/8
20'-5"	2 1/2	1.656	CP0630 & CP0647	548	7	3/4	18	22	5 5/8	8	7 1/2	11	5	7 1/2	7 1/2	12	6 5/8	9 15/16	7 1/2	N/A			
21'-5"	2 1/2	1.656	CP0630 & CP0647	548	7	3/4	18	N/A				10	5	7 1/2	7 1/2	11	6 5/8	9 15/16	7 1/2	N/A			
22'-5"	2 1/2	1.656	CP0630 & CP0647	548	7	3/4	18	N/A				9	5	7 1/2	7 1/2	10	6 5/8	9 15/16	7 1/2	N/A			
25'-5"	2 1/2	1.656	CP0630 & CP0647	DC3	6	3/4	15	11	4 3/4	7 1/8	7 1/2	11	5	7 1/2	7 1/2	N/A				N/A			
26'-5"	2 1/2	1.656	CP0630 & CP0647	648	5	3/4	13	N/A				N/A				N/A				N/A			
27'-5"	2 1/2	1.656	CP0630 & CP0647	648	5	3/4	12	N/A				N/A				N/A				N/A			

CP0001/CP0651 - 0.0405/0.0220 Minimum Thickness Galvanized or Stainless Steel - 65 PSF, Cont.																						
DBG Up To	Filled CMU												Steel (Wall anchors are the same diameter as assembly fasteners)						Superimposed Loads			
	Hilti Kwik Bolt 3				Simpson Strong-Bolt 2				Through Bolt				Welded		Through Bolt	Tapped						
	Max O.C.	Dia.	Embed	Edge Dist	Max O.C.	Dia.	Embed	Edge Dist	Max O.C.	Dia.	Edge Distance	Max O.C.	Slot Size	Max O.C.	Max O.C.	Min. Thickness	Vx (+)	Vy (+)	Vx (-)	Vy (-)		
5'-5"	8	3/4	3 1/4	5 3/4	10	3/4	5 1/4	5 3/4	11	3/8	5 3/4	36	7/16 x 5/8	36	36	3/16	0	179	0	177		
6'-5"	12	3/4	4 3/8	5 3/4	9	3/4	5 1/4	5 3/4	9	3/8	5 3/4	36	7/16 x 5/8	36	36	3/16	0	212	0	209		
7'-5"	10	3/4	4 3/8	5 3/4	8	3/4	5 1/4	5 3/4	8	3/8	5 3/4	36	7/16 x 5/8	36	36	3/16	0	244	0	242		
8'-5"	9	3/4	4 3/8	5 3/4	N/A				7	3/8	5 3/4	36	7/16 x 5/8	36	36	3/16	0	277	0	274		
9'-5"	8	3/4	4 3/8	5 3/4	N/A				6	3/8	5 3/4	36	7/16 x 5/8	36	36	3/16	0	309	0	307		
12'-5"	8	1/2	3 1/2	5 3/4	8	1/2	4 1/2	5 3/4	N/A				18	9/16 x 3/4	18	18	1/4	373	406	321	404	
14'-5"	N/A				N/A				10	1/2	6 13/16	21	9/16 x 3/4	21	12	1/4	1146	470	1111	471		
15'-5"	N/A				N/A				8	1/2	6 13/16	17	9/16 x 3/4	17	9	1/4	1417	503	1385	504		
16'-5"	N/A				N/A				10	5/8	6 7/8	24	11/16 x 7/8	24	13	5/16	1555	535	1527	536		
17'-5"	N/A				N/A				10	5/8	6 7/8	24	11/16 x 7/8	24	13	5/16	1528	566	1506	567		
18'-5"	N/A				N/A				9	5/8	6 7/8	22	11/16 x 7/8	22	12	5/16	1674	598	1654	600		
19'-5"	N/A				N/A				8	5/8	6 7/8	19	11/16 x 7/8	19	10	5/16	1946	631	1927	632		
20'-5"	N/A				N/A				11	3/4	7 1/2	36	13/16 x 1	36	25	3/8	1745	662	1725	663		
21'-5"	N/A				N/A				10	3/4	7 1/2	36	13/16 x 1	36	22	3/8	1972	695	1953	695		
22'-5"	N/A				N/A				9	3/4	7 1/2	36	13/16 x 1	36	20	3/8	2197	727	2178	728		
25'-5"	N/A				N/A				8	3/4	7 1/2	15	13/16 x 1	15	15	3/8	2861	825	2844	826		
26'-5"	N/A				N/A				N/A				26	13/16 x 1	26	14	3/8	3083	858	3066	859	
27'-5"	N/A				N/A				N/A				24	13/16 x 1	24	13	3/8	3305	891	3288	892	



24 ELMWOOD AVE 1901 S. LITCHFIELD RD  
MOUNTAINTOP, PA GOODYEAR, AZ

P: 800.233.8366  
F: 800.526.0841  
E: ADS@CORNELLIRON.COM

Unless otherwise specified, dimensions are in inches & tolerances are:

0.000 = +/- 0.031  
FRACTIONAL = +/- 1/32  
ANGLES = +/- 1/2 DEG

TITLE: WIND LOAD CONFIGURATION  
INSULATED ROLLING STEEL DOOR  
CP0001/CP0651 SLAT IMPACT RATED

DRAWN BY: TJE  
SIZE: B  
SCALE: AS NOTED  
SHEET: 34/40  
DWG NO: ES-16-63-CIW

L'TR	REVISION	DATE	BY	E.C.O.
*	ORIGINAL ISSUE	10/16/14	TJE	1615
A	REMOVED SPECIFIC ENDLOCK, ADD INNER ANGLE NOTE	12/11/17	CJR	1663
B	REVISED BOTTOM BAR DETAIL; HOOD SUPPORT UPDATE	02/19/20	MAN	2027

CP0001/CP0651 - 0.0405/0.0220 Minimum Thickness Galvanized or Stainless Steel - 70 PSF																							
Concrete Minimum 3,000 PSI Compressive Strength (Anchors are the same diameter as assembly fasteners)																							
DBG Up To	Windlock Flat Location	Slip	Windlock	Guide Assembly	Windlock Weld Pitch	Assembly Fastener Diameter	Assembly Fastener Spacing	Hilti Kwik Bolt 3				Simpson Wedge All				Red Head Tru-Bolt				Powers Wedge-Bolt			
								Max O.C.	Embed	Min. Wall Thick.	Edge Dist	Max O.C.	Embed	Min. Wall Thick.	Edge Dist	Max O.C.	Embed	Min. Wall Thick.	Edge Dist	Max O.C.	Embed	Min. Wall Thick.	Edge Dist
5'-5"	N/A	N/A	N/A	344*	N/A	3/8	24	6	2 3/8	4	5 3/4	10	2 5/8	3 15/16	5 3/4	11	3	4 1/2	5 3/4	8	2	3	5 3/4
6'-5"	N/A	N/A	N/A	344*	N/A	3/8	24	N/A				9	2 5/8	3 15/16	5 3/4	9	3	4 1/2	5 3/4	7	2	3	5 3/4
7'-5"	N/A	N/A	N/A	344*	N/A	3/8	24	N/A				8	2 5/8	3 15/16	5 3/4	8	3	4 1/2	5 3/4	6	2	3	5 3/4
8'-5"	N/A	N/A	N/A	344*	N/A	3/8	24	N/A				7	2 5/8	3 15/16	5 3/4	7	3	4 1/2	5 3/4	5	2	3	5 3/4
9'-5"	N/A	N/A	N/A	344*	N/A	3/8	24	N/A				6	2 5/8	3 15/16	5 3/4	6	3	4 1/2	5 3/4	5	2	3	5 3/4
13'-5"	1 5/16	0.469	CP0630	445	9	1/2	15	N/A				10	4 1/2	6 3/4	6 13/16	8	4 1/8	6 3/16	6 13/16	8	4	6	6 13/16
14'-5"	1 7/16	0.594	CP0630	445	9	1/2	13	N/A				9	4 1/2	6 3/4	6 13/16	7	4 1/8	6 3/16	6 13/16	7	4	6	6 13/16
15'-5"	1 1/2	0.656	CP0630	446	8	5/8	18	N/A				10	4 1/2	6 3/4	6 7/8	N/A				9	5	7 1/2	6 7/8
16'-5"	1 5/8	0.781	CP0630	546	7	5/8	16	N/A				9	4 1/2	6 3/4	6 7/8	N/A				8	5	7 1/2	6 7/8
17'-5"	1 7/8	1.031	CP0630	546	7	5/8	16	N/A				9	4 1/2	6 3/4	6 7/8	N/A				8	5	7 1/2	6 7/8
18'-5"	2	1.156	CP0630 & CP0647	546	7	5/8	15	N/A				8	4 1/2	6 3/4	6 7/8	N/A				7	5	7 1/2	6 7/8
19'-5"	2 1/4	1.406	CP0630 & CP0647	548	7	3/4	18	N/A				11	5	7 1/2	7 1/2	12	6 5/8	9 15/16	7 1/2	N/A		N/A	
20'-5"	2 1/2	1.656	CP0630 & CP0647	548	7	3/4	18	N/A				10	5	7 1/2	7 1/2	11	6 5/8	9 15/16	7 1/2	N/A		N/A	
21'-5"	2 1/2	1.656	CP0630 & CP0647	548	7	3/4	18	N/A				9	5	7 1/2	7 1/2	10	6 5/8	9 15/16	7 1/2	N/A		N/A	
22'-5"	2 1/2	1.656	CP0630 & CP0647	648	6	3/4	16	N/A				8	5	7 1/2	7 1/2	8	6 5/8	9 15/16	7 1/2	N/A		N/A	
23'-5"	2 1/2	1.656	CP0630 & CP0647	648	6	3/4	15	N/A				8	5	7 1/2	7 1/2	6	6 5/8	9 15/16	7 1/2	N/A		N/A	
24'-5"	2 1/2	1.656	CP0630 & CP0647	648	6	3/4	14	N/A				7	5	7 1/2	7 1/2	N/A				N/A		N/A	
25'-5"	2 1/2	1.656	CP0630 & CP0647	648	5	3/4	13	N/A				N/A				N/A				N/A		N/A	
26'-5"	2 1/2	1.656	CP0630 & CP0647	648	5	3/4	12	N/A				N/A				N/A				N/A		N/A	



	24 ELMWOOD AVE 1901 S. LITCHFIELD RD MOUNTAINTOP, PA GOODYEAR, AZ		Unless otherwise specified, dimensions are in inches & tolerances are:  0.000 = +/- 0.031 FRACTIONAL = +/- 1/32 ANGLES = +/- 1/2 DEG		
	P: 800.233.8366 F: 800.526.0841 E: ADS@CORNELLIRON.COM		DRAWN BY: <b>TJE</b>	SIZE: <b>B</b>	SCALE: <b>AS NOTED</b>
TITLE: <b>WIND LOAD CONFIGURATION          INSULATED ROLLING STEEL DOOR          CP0001/CP0651 SLAT IMPACT RATED</b>			DWG NO: <b>ES-16-63-CIW</b>		

L'TR	REVISION	DATE	BY	E.C.O.
*	ORIGINAL ISSUE	10/16/14	TJE	1615
A	REMOVED SPECIFIC ENDLOCK, ADD INNER ANGLE NOTE	12/11/17	CJR	1663
B	REVISED BOTTOM BAR DETAIL; HOOD SUPPORT UPDATE	02/19/20	MAN	2027

CP0001/CP0651 - 0.0405/0.0220 Minimum Thickness Galvanized or Stainless Steel - 70 PSF, Cont.																					
DBG Up To	Filled CMU												Steel (Wall anchors are the same diameter as assembly fasteners)					Superimposed Loads			
	Hilti Kwik Bolt 3				Simpson Strong-Bolt 2				Through Bolt				Welded		Through Bolt	Tapped		Vx (+)	Vy (+)	Vx (-)	Vy (-)
	Max O.C.	Dia.	Embed	Edge Dist	Max O.C.	Dia.	Embed	Edge Dist	Max. O.C.	Dia.	Edge Distance	Max O.C.	Slot Size	Max O.C.	Max O.C.	Min. Thickness					
5'-5"	8	3/4	3 1/4	5 3/4	10	3/4	5 1/4	5 3/4	10	3/8	5 3/4	36	7/16 x 5/8	36	36	3/16	0	193	0	190	
6'-5"	11	3/4	4 3/8	5 3/4	8	3/4	5 1/4	5 3/4	9	3/8	5 3/4	36	7/16 x 5/8	36	36	3/16	0	228	0	225	
7'-5"	9	3/4	4 3/8	5 3/4	N/A				8	3/8	5 3/4	36	7/16 x 5/8	36	36	3/16	0	263	0	260	
8'-5"	8	3/4	4 3/8	5 3/4	N/A				7	3/8	5 3/4	36	7/16 x 5/8	36	36	3/16	0	298	0	295	
9'-5"	N/A				N/A				6	3/8	5 3/4	36	7/16 x 5/8	36	36	3/16	0	333	0	330	
13'-5"	N/A				N/A				10	1/2	6 13/16	21	9/16 x 3/4	21	11	1/4	1173	472	1128	472	
14'-5"	N/A				N/A				9	1/2	6 13/16	18	9/16 x 3/4	18	10	1/4	1328	507	1291	507	
15'-5"	N/A				N/A				10	5/8	6 7/8	23	11/16 x 7/8	23	13	5/16	1608	541	1574	542	
16'-5"	N/A				N/A				9	5/8	6 7/8	21	11/16 x 7/8	21	11	5/16	1746	576	1717	577	
17'-5"	N/A				N/A				9	5/8	6 7/8	22	11/16 x 7/8	22	12	5/16	1709	610	1686	611	
18'-5"	N/A				N/A				8	5/8	6 7/8	20	11/16 x 7/8	20	11	5/16	1859	644	1839	646	
19'-5"	N/A				N/A				11	3/4	7 1/2	36	13/16 x 1	36	23	3/8	1887	680	1862	680	
20'-5"	N/A				N/A				10	3/4	7 1/2	36	13/16 x 1	36	22	3/8	1925	713	1904	713	
21'-5"	N/A				N/A				9	3/4	7 1/2	36	13/16 x 1	36	20	3/8	2166	748	2145	749	
22'-5"	N/A				N/A				8	3/4	7 1/2	33	13/16 x 1	33	18	3/8	2404	783	2384	784	
23'-5"	N/A				N/A				8	3/4	7 1/2	30	13/16 x 1	30	16	3/8	2640	819	2621	819	
24'-5"	N/A				N/A				7	3/4	7 1/2	28	13/16 x 1	28	15	3/8	2876	854	2857	854	
25'-5"	N/A				N/A				N/A		N/A		26	13/16 x 1	26	14	3/8	3112	889	3093	890
26'-5"	N/A				N/A				N/A		N/A		24	13/16 x 1	24	13	3/8	3348	925	3329	925



	24 ELMWOOD AVE 1901 S. LITCHFIELD RD MOUNTAINTOP, PA GOODYEAR, AZ		Unless otherwise specified, dimensions are in inches & tolerances are:			
	P: 800.233.8366 F: 800.526.0841 E: ADS@CORNELLIRON.COM		0.000 = +/- 0.031 FRACTIONAL = +/- 1/32 ANGLES = +/- 1/2 DEG			
TITLE: WIND LOAD CONFIGURATION INSULATED ROLLING STEEL DOOR CP0001/CP0651 SLAT IMPACT RATED			DRAWN BY: <b>TJE</b>	SIZE: <b>B</b>	SCALE: AS NOTED	SHEET: <b>36/40</b>
			DWG NO: <b>ES-16-63-CIW</b>			

L'TR	REVISION	DATE	BY	E.C.O.
*	ORIGINAL ISSUE	10/16/14	TJE	1615
A	REMOVED SPECIFIC ENDLOCK, ADD INNER ANGLE NOTE	12/11/17	CJR	1663
B	REVISED BOTTOM BAR DETAIL; HOOD SUPPORT UPDATE	02/19/20	MAN	2027

CP0001/CP0651 - 0.0405/0.0220 Minimum Thickness Galvanized or Stainless Steel - 80 PSF																							
Concrete Minimum 3,000 PSI Compressive Strength (Anchors are the same diameter as assembly fasteners)																							
DBG Up To	Windlock Flat Location	Slip	Windlock	Guide Assembly	Windlock Weld Pitch	Assembly Fastener Diameter	Assembly Fastener Spacing	Hilti Kwik Bolt 3				Simpson Wedge All				Red Head Tru-Bolt				Powers Wedge-Bolt			
								Max O.C.	Embed	Min. Wall Thick.	Edge Dist	Max O.C.	Embed	Min. Wall Thick.	Edge Dist	Max O.C.	Embed	Min. Wall Thick.	Edge Dist	Max O.C.	Embed	Min. Wall Thick.	Edge Dist
5'-5"	N/A	N/A	N/A	344*	N/A	3/8	24	N/A				9	2 5/8	3 15/16	5 3/4	9	3	4 1/2	5 3/4	7	2	3	5 3/4
6'-5"	N/A	N/A	N/A	344*	N/A	3/8	24	N/A				8	2 5/8	3 15/16	5 3/4	8	3	4 1/2	5 3/4	6	2	3	5 3/4
7'-5"	N/A	N/A	N/A	344*	N/A	3/8	24	N/A				7	2 5/8	3 15/16	5 3/4	7	3	4 1/2	5 3/4	5	2	3	5 3/4
8'-5"	N/A	N/A	N/A	344*	N/A	3/8	24	N/A				6	2 5/8	3 15/16	5 3/4	6	3	4 1/2	5 3/4	4	2	3	5 3/4
13'-5"	1 5/16	0.469	CP0630	446	8	5/8	18	N/A				10	4 1/2	6 3/4	6 7/8	N/A				9	5	7 1/2	6 7/8
14'-5"	1 7/16	0.594	CP0630	546	8	5/8	17	N/A				9	4 1/2	6 3/4	6 7/8	N/A				8	5	7 1/2	6 7/8
15'-5"	1 1/2	0.656	CP0630 & CP0647	546	7	5/8	15	N/A				8	4 1/2	6 3/4	6 7/8	N/A				7	5	7 1/2	6 7/8
16'-5"	1 5/8	0.781	CP0630 & CP0647	546	7	5/8	14	N/A				7	4 1/2	6 3/4	6 7/8	N/A				N/A			
17'-5"	1 7/8	1.031	CP0630 & CP0647	548	7	3/4	18	N/A				10	5	7 1/2	7 1/2	11	6 5/8	9 15/16	7 1/2	N/A			
18'-5"	2	1.156	CP0630 & CP0647	548	6	3/4	18	N/A				9	5	7 1/2	7 1/2	10	6 5/8	9 15/16	7 1/2	N/A			
19'-5"	2 1/4	1.406	CP0630 & CP0647	548	6	3/4	17	N/A				9	5	7 1/2	7 1/2	10	6 5/8	9 15/16	7 1/2	N/A			
20'-5"	2 1/2	1.656	CP0630 & CP0647	648	6	3/4	17	N/A				9	5	7 1/2	7 1/2	9	6 5/8	9 15/16	7 1/2	N/A			
21'-5"	2 1/2	1.656	CP0630 & CP0647	648	6	3/4	15	N/A				8	5	7 1/2	7 1/2	7	6 5/8	9 15/16	7 1/2	N/A			
22'-5"	2 1/2	1.656	CP0630 & CP0647	648	6	3/4	14	N/A				7	5	7 1/2	7 1/2	N/A				N/A			
23'-5"	2 1/2	1.656	CP0630 & CP0647	648	5	3/4	13	N/A				N/A				N/A				N/A			
24'-5"	2 1/2	1.656	CP0630 & CP0647	648	5	3/4	12	N/A				N/A				N/A				N/A			

CP0001/CP0651 - 0.0405/0.0220 Minimum Thickness Galvanized or Stainless Steel - 80 PSF, Cont.																					
DBG Up To	Filled CMU												Steel (Wall anchors are the same diameter as assembly fasteners)					Superimposed Loads			
	Hilti Kwik Bolt 3				Simpson Strong-Bolt 2				Through Bolt				Welded		Through Bolt	Tapped		Vx (+)	Vy (+)	Vx (-)	Vy (-)
	Max O.C.	Dia.	Embed	Edge Dist	Max O.C.	Dia.	Embed	Edge Dist	Max O.C.	Dia.	Edge Distance	Max O.C.	Slot Size	Max O.C.	Max O.C.	Min. Thickness					
5'-5"	11	3/4	4 3/8	5 3/4	8	3/4	5 1/4	5 3/4	9	3/8	5 3/4	36	7/16 x 5/8	36	36	3/16	0	220	0	217	
6'-5"	9	3/4	4 3/8	5 3/4	N/A				8	3/8	5 3/4	36	7/16 x 5/8	36	36	3/16	0	260	0	257	
7'-5"	8	3/4	4 3/8	5 3/4	N/A				7	3/8	5 3/4	36	7/16 x 5/8	36	36	3/16	0	300	0	297	
8'-5"	N/A				N/A				6	3/8	5 3/4	36	7/16 x 5/8	36	36	3/16	0	340	0	337	
13'-5"	N/A				N/A				10	5/8	6 7/8	24	11/16 x 7/8	24	13	5/16	1543	539	1494	540	
14'-5"	N/A				N/A				9	5/8	6 7/8	22	11/16 x 7/8	22	12	5/16	1693	579	1651	580	
15'-5"	N/A				N/A				8	5/8	6 7/8	18	11/16 x 7/8	18	10	5/16	1991	619	1953	620	
16'-5"	N/A				N/A				7	5/8	6 7/8	17	11/16 x 7/8	17	9	5/16	2129	659	2097	660	
17'-5"	N/A				N/A				10	3/4	7 1/2	36	13/16 x 1	36	21	3/8	2086	699	2047	699	
18'-5"	N/A				N/A				9	3/4	7 1/2	36	13/16 x 1	36	19	3/8	2244	738	2209	738	
19'-5"	N/A				N/A				9	3/4	7 1/2	35	13/16 x 1	35	19	3/8	2251	777	2223	777	
20'-5"	N/A				N/A				9	3/4	7 1/2	35	13/16 x 1	35	19	3/8	2285	815	2262	815	
21'-5"	N/A				N/A				8	3/4	7 1/2	31	13/16 x 1	31	17	3/8	2552	855	2530	856	
22'-5"	N/A				N/A				7	3/4	7 1/2	28	13/16 x 1	28	15	3/8	2817	895	2795	896	
23'-5"	N/A				N/A				N/A		26	13/16 x 1	26	14	3/8	3082	936	3060	936		
24'-5"	N/A				N/A				N/A		24	13/16 x 1	24	13	3/8	3346	976	3325	977		



	24 ELMWOOD AVE 1901 S. LITCHFIELD RD MOUNTAINTOP, PA GOODYEAR, AZ	Unless otherwise specified, dimensions are in inches & tolerances are:  0.000 = +/- 0.031 FRACTIONAL = +/- 1/32 ANGLES = +/- 1/2 DEG
	P: 800.233.8366 F: 800.526.0841 E: ADS@CORNELLIRON.COM	TITLE: WIND LOAD CONFIGURATION INSULATED ROLLING STEEL DOOR CP0001/CP0651 SLAT IMPACT RATED

L'TR	REVISION	DATE	BY	E.C.O.
*	ORIGINAL ISSUE	10/16/14	TJE	1615
A	REMOVED SPECIFIC ENDLOCK, ADD INNER ANGLE NOTE	12/11/17	CJR	1663
B	REVISED BOTTOM BAR DETAIL; HOOD SUPPORT UPDATE	02/19/20	MAN	2027

CP0001/CP0651 - 0.0405/0.0220 Minimum Thickness Galvanized or Stainless Steel - 90 PSF																							
Concrete Minimum 3,000 PSI Compressive Strength (Anchors are the same diameter as assembly fasteners)																							
DBG Up To	Windlock Flat Location	Slip	Windlock	Guide Assembly	Windlock Weld Pitch	Assembly Fastener Diameter	Assembly Fastener Spacing	Hilti Kwik Bolt 3				Simpson Wedge All				Red Head Tru-Bolt				Powers Wedge-Bolt			
								Max O.C.	Embed	Min. Wall Thick.	Edge Dist	Max O.C.	Embed	Min. Wall Thick.	Edge Dist	Max O.C.	Embed	Min. Wall Thick.	Edge Dist	Max O.C.	Embed	Min. Wall Thick.	Edge Dist
5'-5"	N/A	N/A	N/A	344*	N/A	3/8	24	N/A				8	2 5/8	3 15/16	5 3/4	8	3	4 1/2	5 3/4	6	2	3	5 3/4
6'-5"	N/A	N/A	N/A	344*	N/A	3/8	24	N/A				7	2 5/8	3 15/16	5 3/4	7	3	4 1/2	5 3/4	5	2	3	5 3/4
7'-5"	N/A	N/A	N/A	344*	N/A	3/8	24	N/A				6	2 5/8	3 15/16	5 3/4	6	3	4 1/2	5 3/4	4	2	3	5 3/4
8'-5"	N/A	N/A	N/A	344*	N/A	3/8	24	N/A				5	2 5/8	3 15/16	5 3/4	N/A				5	2 1/2	3 3/4	5 3/4
13'-5"	1 5/16	0.469	CP0630 & CP0647	546	7	5/8	16	N/A				8	4 1/2	6 3/4	6 7/8	N/A				7	5	7 1/2	6 7/8
14'-5"	1 7/16	0.594	CP0630 & CP0647	546	7	5/8	14	N/A				8	4 1/2	6 3/4	6 7/8	N/A				N/A			
15'-5"	1 1/2	0.656	CP0630 & CP0647	548	6	3/4	18	N/A				9	5	7 1/2	7 1/2	10	6 5/8	9 15/16	7 1/2	N/A			
16'-5"	1 5/8	0.781	CP0630 & CP0647	548	6	3/4	17	N/A				8	5	7 1/2	7 1/2	9	6 5/8	9 15/16	7 1/2	N/A			
17'-5"	1 3/4	0.906	CP0630 & CP0647	648	6	3/4	16	N/A				8	5	7 1/2	7 1/2	7	6 5/8	9 15/16	7 1/2	N/A			
18'-5"	1 7/8	1.031	CP0630 & CP0647	648	6	3/4	15	N/A				7	5	7 1/2	7 1/2	5	6 5/8	9 15/16	7 1/2	N/A			
19'-5"	2 1/8	1.281	CP0630 & CP0647	648	6	3/4	15	N/A				7	5	7 1/2	7 1/2	5	6 5/8	9 15/16	7 1/2	N/A			
20'-5"	2 1/4	1.406	CP0630 & CP0647	648	6	3/4	14	N/A				7	5	7 1/2	7 1/2	N/A				N/A			
21'-5"	2 1/2	1.656	CP0630 & CP0647	648	6	3/4	13	N/A				7	5	7 1/2	7 1/2	N/A				N/A			
22'-5"	2 1/2	1.656	CP0630 & CP0647	648	5	3/4	12	N/A				N/A				N/A				N/A			

CP0001/CP0651 - 0.0405/0.0220 Minimum Thickness Galvanized or Stainless Steel - 90 PSF, Cont.																						
DBG Up To	Filled CMU												Steel (Wall anchors are the same diameter as assembly fasteners)						Superimposed Loads			
	Hilti Kwik Bolt 3				Simpson Strong-Bolt 2				Through Bolt				Welded		Through Bolt	Tapped		Vx (+)	Vy (+)	Vx (-)	Vy (-)	
	Max O.C.	Dia.	Embed	Edge Dist	Max O.C.	Dia.	Embed	Edge Dist	Max. O.C.	Dia.	Edge Distance	Max O.C.	Slot Size	Max O.C.	Max O.C.	Min. Thickness						
5'-5"	10	3/4	4 3/8	5 3/4	N/A				8	3/8	5 3/4	36	7/16 x 5/8	36	36	3/16	0	248	0	244		
6'-5"	8	3/4	4 3/8	5 3/4	N/A				7	3/8	5 3/4	36	7/16 x 5/8	36	36	3/16	0	293	0	289		
7'-5"	N/A				N/A				6	3/8	5 3/4	36	7/16 x 5/8	36	36	3/16	0	338	0	334		
8'-5"	N/A				N/A				5	3/8	5 3/4	36	7/16 x 5/8	36	36	3/16	0	383	0	379		
13'-5"	N/A				N/A				8	5/8	6 7/8	19	11/16 x 7/8	19	10	5/16	1913	607	1859	608		
14'-5"	N/A				N/A				8	5/8	6 7/8	18	11/16 x 7/8	18	10	5/16	2057	652	2012	653		
15'-5"	N/A				N/A				9	3/4	7 1/2	34	13/16 x 1	34	18	3/8	2392	699	2333	698		
16'-5"	N/A				N/A				8	3/4	7 1/2	32	13/16 x 1	32	17	3/8	2530	743	2478	743		
17'-5"	N/A				N/A				8	3/4	7 1/2	30	13/16 x 1	30	16	3/8	2674	787	2628	788		
18'-5"	N/A				N/A				7	3/4	7 1/2	28	13/16 x 1	28	15	3/8	2820	832	2779	832		
19'-5"	N/A				N/A				7	3/4	7 1/2	29	13/16 x 1	29	15	3/8	2777	875	2743	875		
20'-5"	N/A				N/A				7	3/4	7 1/2	27	13/16 x 1	27	15	3/8	2932	919	2902	920		
21'-5"	N/A				N/A				7	3/4	7 1/2	27	13/16 x 1	27	15	3/8	2938	962	2914	963		
22'-5"	N/A				N/A				N/A				25	13/16 x 1	25	13	3/8	3231	1008	3207	1008	



	24 ELMWOOD AVE 1901 S. LITCHFIELD RD MOUNTAINTOP, PA GOODYEAR, AZ	Unless otherwise specified, dimensions are in inches & tolerances are:  0.000 = +/- 0.031 FRACTIONAL = +/- 1/32 ANGLES = +/- 1/2 DEG
	P: 800.233.8366 F: 800.526.0841 E: ADS@CORNELLIRON.COM	TITLE: <b>WIND LOAD CONFIGURATION          INSULATED ROLLING STEEL DOOR          CP0001/CP0651 SLAT IMPACT RATED</b>
	SIZE: <b>B</b> SCALE: <b>AS NOTED</b>	SHEET: <b>38/40</b>

L'TR	REVISION	DATE	BY	E.C.O.
*	ORIGINAL ISSUE	10/16/14	TJE	1615
A	REMOVED SPECIFIC ENDLOCK, ADD INNER ANGLE NOTE	12/11/17	CJR	1663
B	REVISED BOTTOM BAR DETAIL; HOOD SUPPORT UPDATE	02/19/20	MAN	2027

CP0001/CP0651 - 0.0405/0.0220 Minimum Thickness Galvanized or Stainless Steel - 100 PSF																							
Concrete Minimum 3,000 PSI Compressive Strength (Anchors are the same diameter as assembly fasteners)																							
DBG Up To	Windlock Flat Location	Slip	Windlock	Guide Assembly	Windlock Weld Pitch	Assembly Fastener Diameter	Assembly Fastener Spacing	Hilti Kwik Bolt 3				Simpson Wedge All				Red Head Tru-Bolt				Powers Wedge-Bolt			
								Max O.C.	Embed	Min. Wall Thick.	Edge Dist	Max O.C.	Embed	Min. Wall Thick.	Edge Dist	Max O.C.	Embed	Min. Wall Thick.	Edge Dist	Max O.C.	Embed	Min. Wall Thick.	Edge Dist
5'-5"	N/A	N/A	N/A	344*	N/A	3/8	24	N/A				7	2 5/8	3 15/16	5 3/4	7	3	4 1/2	5 3/4	6	2	3	5 3/4
6'-5"	N/A	N/A	N/A	344*	N/A	3/8	24	N/A				6	2 5/8	3 15/16	5 3/4	6	3	4 1/2	5 3/4	5	2	3	5 3/4
7'-5"	N/A	N/A	N/A	344*	N/A	3/8	24	N/A				5	2 5/8	3 15/16	5 3/4	N/A				6	2 1/2	3 3/4	5 3/4
14'-5"	1 1/2	0.656	CP0630 & CP0647	DC2	6	3/4	15	11	4 3/4	7 1/8	7 1/2	11	5	7 1/2	7 1/2	N/A				N/A			
15'-5"	1 7/16	0.594	CP0630 & CP0647	648	6	3/4	15	N/A				7	5	7 1/2	7 1/2	5	6 5/8	9 15/16	7 1/2	N/A			
16'-5"	1 1/2	0.656	CP0630 & CP0647	648	5	3/4	14	N/A				7	5	7 1/2	7 1/2	N/A				N/A			
17'-5"	1 5/8	0.781	CP0630 & CP0647	648	5	3/4	13	N/A				N/A				N/A				N/A			
18'-5"	1 3/4	0.906	CP0630 & CP0647	648	5	3/4	13	N/A				N/A				N/A				N/A			
19'-5"	1 7/8	1.031	CP0630 & CP0647	648	5	3/4	12	N/A				N/A				N/A				N/A			
20'-5"	2 1/8	1.281	CP0630 & CP0647	648	5	3/4	12	N/A				N/A				N/A				N/A			

CP0001/CP0651 - 0.0405/0.0220 Minimum Thickness Galvanized or Stainless Steel - 100 PSF, Cont.																						
DBG Up To	Filled CMU												Steel (Wall anchors are the same diameter as assembly fasteners)						Superimposed Loads			
	Hilti Kwik Bolt 3				Simpson Strong-Bolt 2				Through Bolt				Welded		Through Bolt	Tapped						
	Max O.C.	Dia.	Embed	Edge Dist	Max O.C.	Dia.	Embed	Edge Dist	Max O.C.	Dia.	Edge Distance	Max O.C.	Slot Size	Max O.C.	Max O.C.	Min. Thickness	Vx (+)	Vy (+)	Vx (-)	Vy (-)		
5'-5"	9	3/4	4 3/8	5 3/4	N/A				7	3/8	5 3/4	36	7/16 x 5/8	36	36	3/16	0	275	0	271		
6'-5"	N/A				N/A				6	3/8	5 3/4	36	7/16 x 5/8	36	36	3/16	0	325	0	321		
7'-5"	N/A				N/A				5	3/8	5 3/4	36	7/16 x 5/8	36	36	3/16	0	375	0	371		
14'-5"	N/A				N/A				8	3/4	7 1/2	15	13/16 x 1	15	15	3/8	2261	725	2195	725		
15'-5"	N/A				N/A				7	3/4	7 1/2	27	13/16 x 1	27	15	3/8	2976	778	2909	778		
16'-5"	N/A				N/A				7	3/4	7 1/2	25	13/16 x 1	25	13	3/8	3274	828	3211	828		
17'-5"	N/A				N/A				N/A				24	13/16 x 1	24	13	3/8	3371	877	3316	877	
18'-5"	N/A				N/A				N/A				23	13/16 x 1	23	12	3/8	3486	926	3437	926	
19'-5"	N/A				N/A				N/A				22	13/16 x 1	22	12	3/8	3611	975	3568	976	
20'-5"	N/A				N/A				N/A				23	13/16 x 1	23	12	3/8	3518	1023	3482	1024	



	24 ELMWOOD AVE 1901 S. LITCHFIELD RD MOUNTAINTOP, PA GOODYEAR, AZ	Unless otherwise specified, dimensions are in inches & tolerances are:  0.000 = +/- 0.031 FRACTIONAL = +/- 1/32 ANGLES = +/- 1/2 DEG
	P: 800.233.8366 F: 800.526.0841 E: ADS@CORNELLIRON.COM	TITLE: WIND LOAD CONFIGURATION INSULATED ROLLING STEEL DOOR CP0001/CP0651 SLAT IMPACT RATED

L'TR	REVISION	DATE	BY	E.C.O.
*	ORIGINAL ISSUE	10/16/14	TJE	1615
A	REMOVED SPECIFIC ENDLOCK, ADD INNER ANGLE NOTE	12/11/17	CJR	1663
B	REVISED BOTTOM BAR DETAIL; HOOD SUPPORT UPDATE	02/19/20	MAN	2027

CP0001/CP0651 - 0.0405/0.0220 Minimum Thickness Galvanized or Stainless Steel - 120 PSF																							
Concrete Minimum 3,000 PSI Compressive Strength (Anchors are the same diameter as assembly fasteners)																							
DBG Up To	Windlock Flat Location	Slip	Windlock	Guide Assembly	Windlock Weld Pitch	Assembly Fastener Diameter	Assembly Fastener Spacing	Hilti Kwik Bolt 3				Simpson Wedge All				Red Head Tru-Bolt				Powers Wedge-Bolt			
								Max O.C.	Embed	Min. Wall Thick.	Edge Dist	Max O.C.	Embed	Min. Wall Thick.	Edge Dist	Max O.C.	Embed	Min. Wall Thick.	Edge Dist	Max O.C.	Embed	Min. Wall Thick.	Edge Dist
5'-5"	N/A	N/A	N/A	344*	N/A	3/8	24	N/A				6	2 5/8	3 15/16	5 3/4	6	3	4 1/2	5 3/4	5	2	3	5 3/4
6'-5"	N/A	N/A	N/A	344*	N/A	3/8	24	N/A				5	2 5/8	3 15/16	5 3/4	N/A				5	2 1/2	3 3/4	5 3/4
7'-5"	N/A	N/A	N/A	344*	N/A	3/8	23	N/A				4	2 5/8	3 15/16	5 3/4	N/A				5	2 1/2	3 3/4	5 3/4
14'-5"	1 1/2	0.656	CP0630 & CP0647	DC2	6	3/4	15	11	4 3/4	7 1/8	7 1/2	11	5	7 1/2	7 1/2	N/A				N/A			

CP0001/CP0651 - 0.0405/0.0220 Minimum Thickness Galvanized or Stainless Steel - 120 PSF, Cont.																					
DBG Up To	Filled CMU											Steel (Wall anchors are the same diameter as assembly fasteners)						Superimposed Loads			
	Hilti Kwik Bolt 3				Simpson Strong-Bolt 2				Through Bolt			Welded		Through Bolt	Tapped		Min. Thickness	Vx (+)	Vy (+)	Vx (-)	Vy (-)
	Max O.C.	Dia.	Embed	Edge Dist	Max O.C.	Dia.	Embed	Edge Dist	Max O.C.	Dia.	Edge Distance	Max O.C.	Slot Size	Max O.C.	Max O.C.						
5'-5"	N/A				N/A				6	3/8	5 3/4	36	7/16 x 5/8	36	36	3/16	0	330	0	325	
6'-5"	N/A				N/A				5	3/8	5 3/4	36	7/16 x 5/8	36	36	3/16	0	390	0	385	
7'-5"	N/A				N/A				4	3/8	5 3/4	36	7/16 x 5/8	36	36	3/16	0	450	0	445	
14'-5"	N/A				N/A				8	3/4	7 1/2	15	13/16 x 1	15	15	3/8	2956	871	2881	871	



	24 ELMWOOD AVE 1901 S. LITCHFIELD RD MOUNTAINTOP, PA GOODYEAR, AZ	Unless otherwise specified, dimensions are in inches & tolerances are:  0.000 = +/- 0.031 FRACTIONAL = +/- 1/32 ANGLES = +/- 1/2 DEG
	P: 800.233.8366 F: 800.526.0841 E: ADS@CORNELLIRON.COM	
<b>TITLE:</b> WIND LOAD CONFIGURATION INSULATED ROLLING STEEL DOOR CP0001/CP0651 SLAT IMPACT RATED	<b>DRAWN BY:</b> TJE <b>SIZE:</b> B <b>SCALE:</b> AS NOTED <b>SHEET:</b> 40/40	<b>DWG NO:</b> ES-16-63-CIW