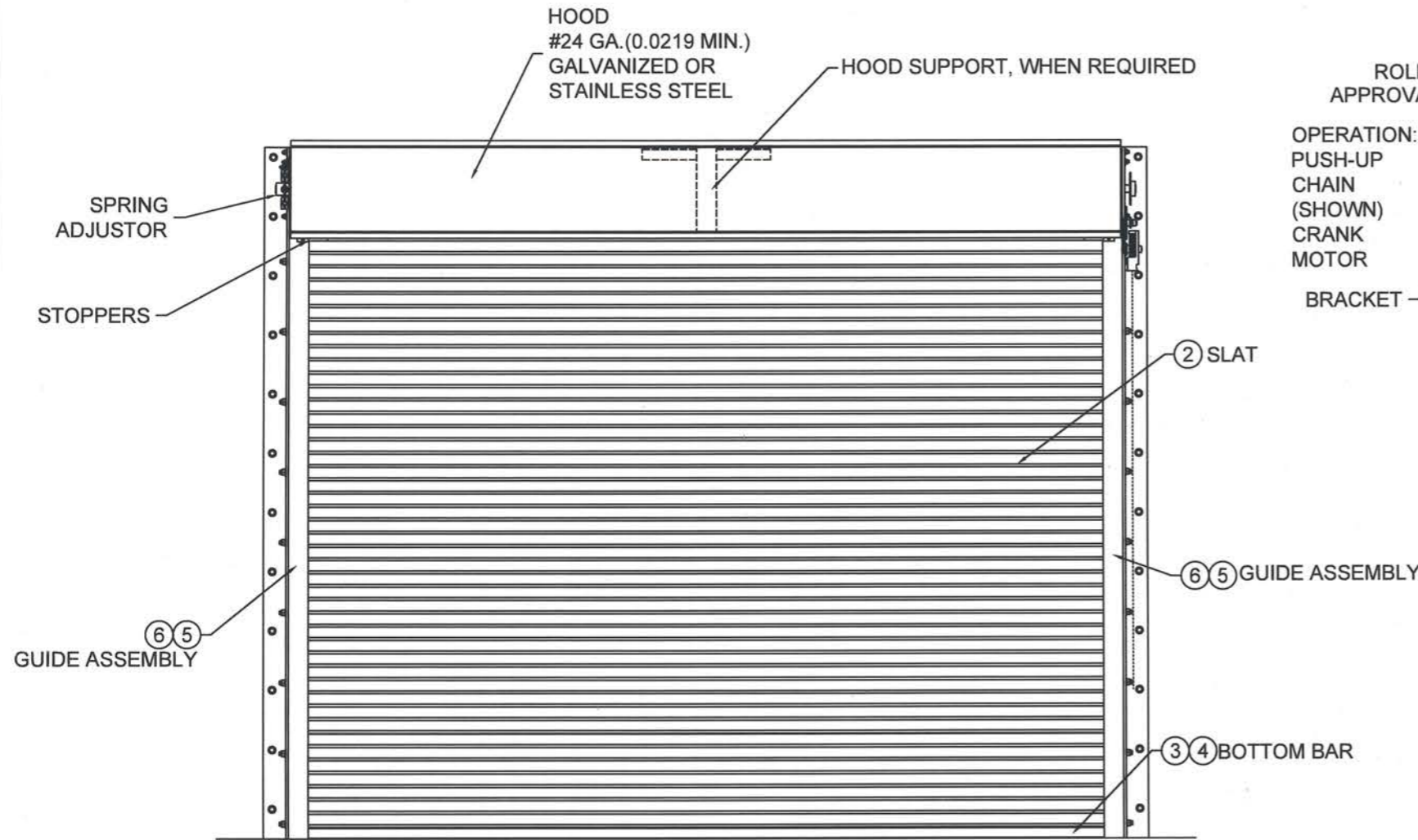
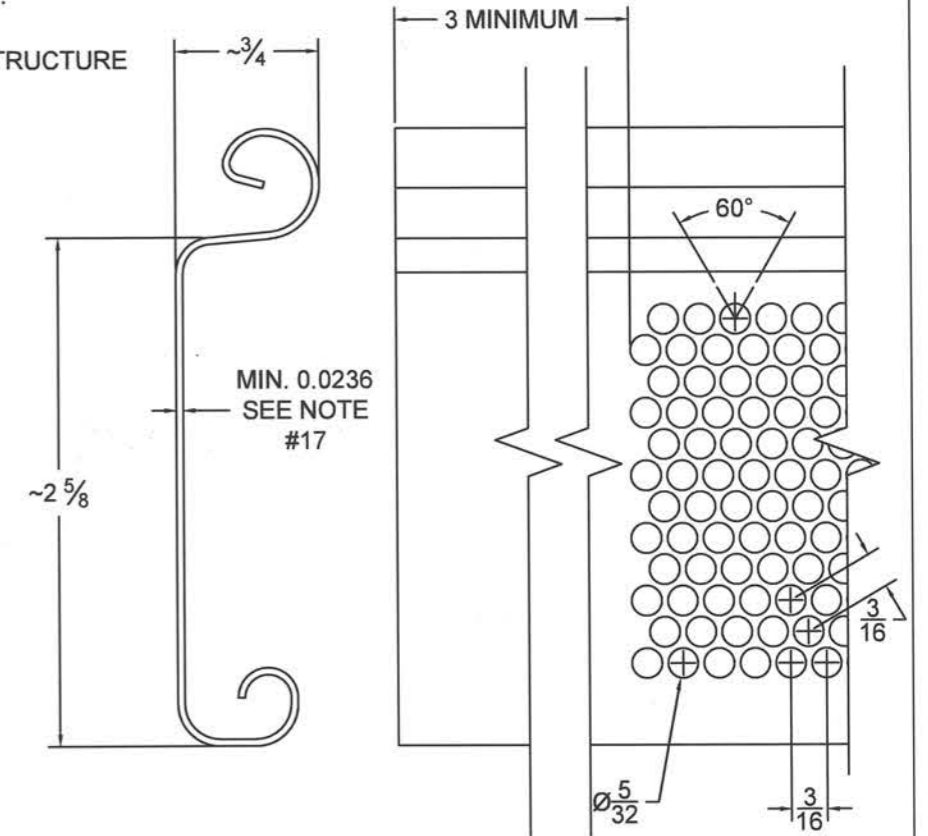
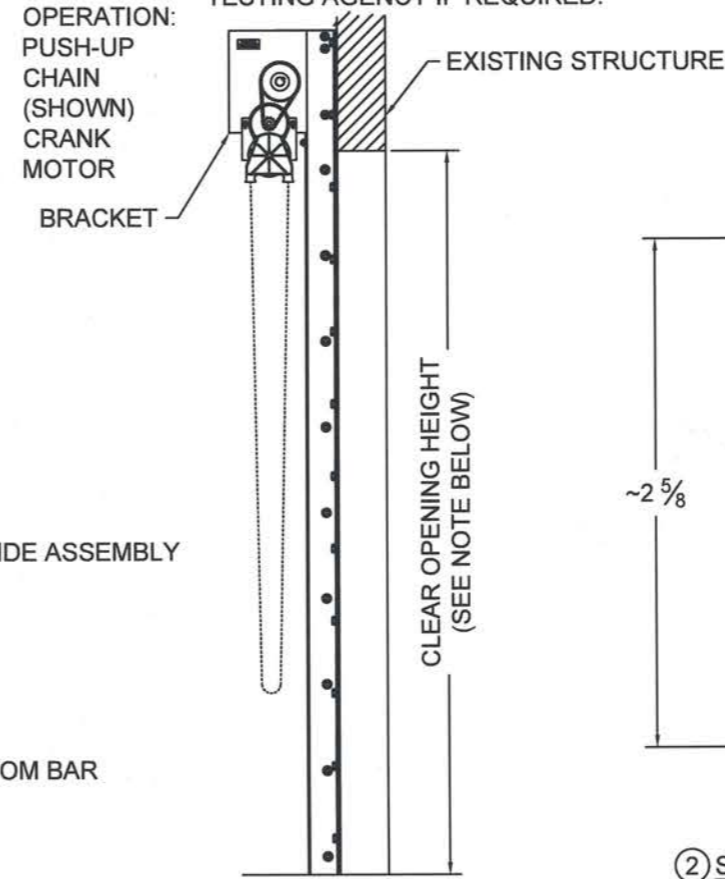


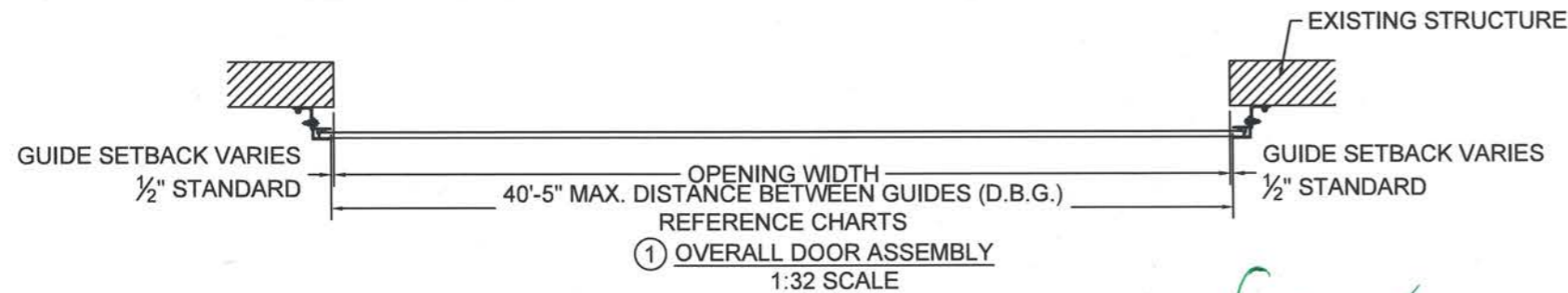
L'TR	REVISION	DATE	BY	E.C.O.
*	ORIGINAL ISSUE	09/25/14	TJE	1615
A	REFORMATTED TABLES; HOOD SUPPORT UPDATE	02/14/20	MAN	2027



ROLL-UP MECHANISM NOT INCLUDED IN THIS APPROVAL. MUST BE CERTIFIED BY AN INDEPENDENT TESTING AGENCY IF REQUIRED.



② SLAT DETAIL & OPTIONAL PERFORATION PATTERN
 TYPICAL SECTION
 ASTM A653 HSLAS TYPE B GRADE 40 G40 OR
 ASTM A653 HSLAS TYPE A GRADE 40 G40 OR
 ASTM A653 STRUCTURAL STEEL GRADE 40 G40
 OR TYPE 304 STAINLESS STEEL (MIN. YIELD 40,000 psi)
 OR TYPE 316 STAINLESS STEEL (MIN. YIELD 40,000 psi)
 OR TYPE 430 STAINLESS STEEL (MIN. YIELD 40,000 psi)
 OR TYPE 201 STAINLESS STEEL (MIN. YIELD 40,000 psi)
 FULL SCALE

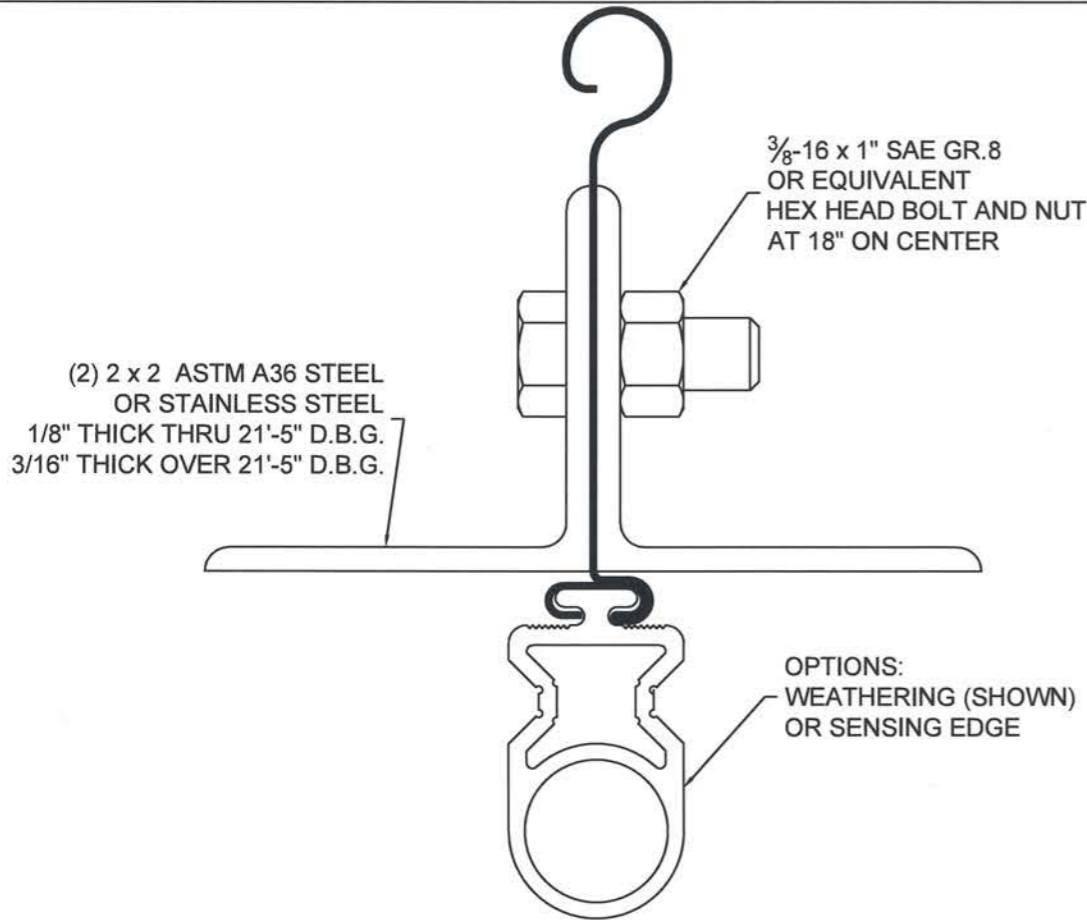


NOTE: WIND LOADS SPECIFIED IN TABLES ARE ACCEPTABLE FOR ANY C.O.H.. FOR GREATER THAN 30 FT, C.O.H., MOUNTING CONDITIONS SHALL BE DETERMINED ON A SITE SPECIFIC BASIS.

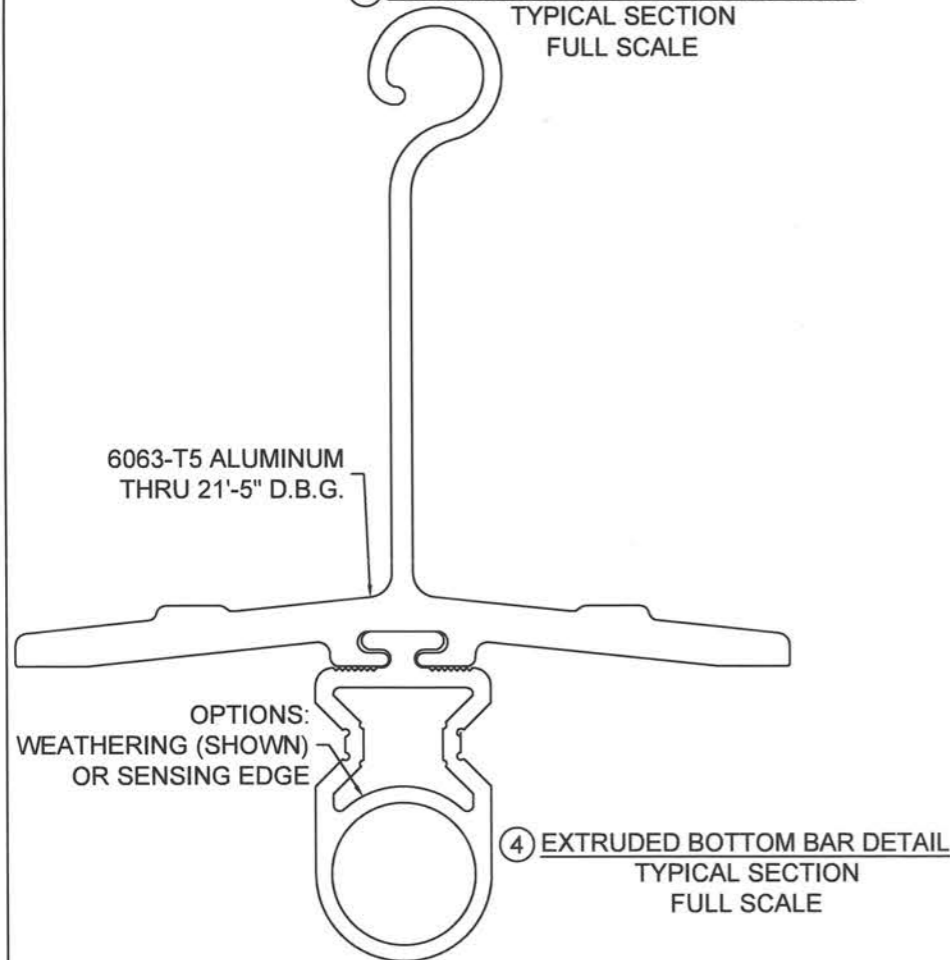


	24 ELMWOOD AVE 1901 S. LITCHFIELD RD MOUNTAINTOP, PA GOODYEAR, AZ	Unless otherwise specified, dimensions are in inches & tolerances are: 0.000 = +/- 0.031 FRACTIONAL = +/- 1/32 ANGLES = +/- 1/2 DEG	
	P: 800.233.8366 F: 800.526.0841 E: ADS@CORNELLIRON.COM		
TITLE: WIND LOAD CONFIGURATION NON-INSULATED ROLLING STEEL DOOR CP0020 SLAT IMPACT RATED	DRAWN BY: TJE DWG NO: ES-16-60-CIW	SIZE: B SCALE: AS NOTED	SHEET: 1/46

L'TR	REVISION	DATE	BY	E.C.O.
*	ORIGINAL ISSUE	09/25/14	TJE	1615
A	REFORMATTED TABLES; HOOD SUPPORT UPDATE	02/14/20	MAN	2027



③ DOUBLE ANGLE BOTTOM BAR DETAIL
TYPICAL SECTION
FULL SCALE



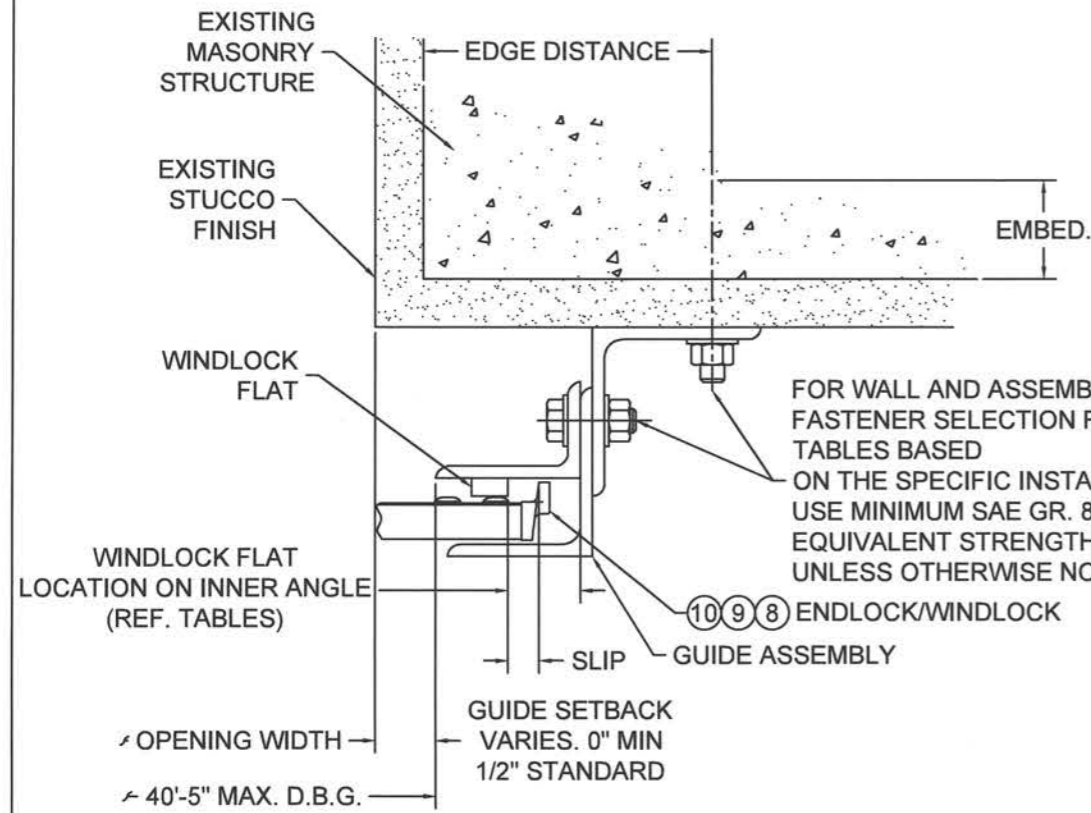
GENERAL NOTES:

1. THESE PRODUCT EVALUATION DOCUMENTS REPRESENT A ROLL-UP DOOR ASSEMBLY DESIGNED AND TESTED IN ACCORDANCE WITH THE STANDARD BUILDING CODE, THE INTERNATIONAL BUILDING CODE, AND THE FLORIDA BUILDING CODE.
2. THIS ROLL-UP DOOR HAS BEEN TESTED FOR UNIFORM STATIC PRESSURE, IMPACT AND FATIGUE RESISTANCE IN ACCORDANCE WITH THE FBC TEST PROTOCOLS FOR HIGH VELOCITY HURRICANE ZONES TAS 201, TAS 202, AND TAS 203.
3. A 33% INCREASE IN ALLOWABLE STRESS HAS NOT BEEN USED IN THE DESIGN OF THIS PRODUCT.
4. DETERMINE THE POSITIVE AND NEGATIVE DESIGN LOADS TO USE WHEN REFERENCING THESE DOCUMENTS IN ACCORDANCE WITH THE GOVERNING CODE AND GOVERNING WIND VELOCITY.
5. THESE PRODUCT EVALUATION DOCUMENTS ARE PREPARED BY THE PRODUCT ENGINEER AND ARE GENERIC. THEY DO NOT INCLUDE INFORMATION PREPARED FOR A SPECIFIC SITE.
6. THESE PRODUCT EVALUATION DOCUMENTS ARE NOT VALID FOR PERMIT WITHOUT ORIGINAL SIGNATURE, DATE AND EMBOSSED SEAL ON EACH PERMIT COPY, WHETHER OR NOT A MASTER APPROVAL DOCUMENT IS ON FILE WITH A MUNICIPALITY OR OTHER GOVERNING AGENCY.
7. THESE PRODUCT EVALUATION DOCUMENTS ARE SUITABLE TO BE APPLIED BY THE CONTRACTOR PROVIDED THE CONTRACTOR DOES NOT DEVIATE FROM THE CONDITIONS DETAILED HEREIN AND THE CONTRACTOR VERIFIES THE EXISTING STRUCTURE IS CAPABLE OF SUPPORTING THE SUPERIMPOSED LOADS V_x & V_y ON THE JAMBS OF THE DOOR.
8. ALTERATIONS OR ADDITIONS TO THIS DOCUMENT ARE NOT PERMITTED.
9. WHEN THE SITE CONDITIONS DEVIATE FROM THESE PRODUCT EVALUATION DOCUMENTS, SITE SPECIFIC DOCUMENTS SHALL BE PREPARED BY A DULY LICENSED AND REGISTERED ENGINEER OR ARCHITECT.
10. IF THE DEVIATING SITE SPECIFIC DOCUMENTS ARE PREPARED BY A DELEGATED REGISTERED ENGINEER OR ARCHITECT, SAID DOCUMENTS SHALL BEAR THE DATE, SIGNATURE, AND EMBOSSED SEAL OF THE DELEGATED ENGINEER OR ARCHITECT AND SHALL BE SUBMITTED TO THE PROJECT ENGINEER FOR REVIEW.
11. ALL HARDWARE SHALL BE GALVANIZED STEEL, PLATED STEEL OR STAINLESS STEEL
12. ALL WINDLOCK RIVETS SHALL BE 1/4" STEEL RIVETS IFI GRADE 30 WITH A MINIMUM TENSILE STRENGTH OF 1,850 Lbs., AND SHEAR STRENGTH OF 2,400 Lbs., U.O.N.. RIVETS TO BE INSTALLED IN ALL WINDLOCK HOLES.
13. ENDLOCKS/WINDLOCKS SHALL BE CAST MALLEABLE IRON TYPE 32510 PER ASTM A47 OR CAST DUCTILE IRON PER ASTM A536 GRADE 65-45-12.
14. ALL WELDING SHALL BE PERFORMED BY QUALIFIED WELDERS IN ACCORDANCE WITH A.W.S. SPECIFICATIONS, LATEST EDITION. ALL WELDING ELECTRODES SHALL CONFORM TO A.W.S. A5.1 GRADE E-70. MINIMUM WELDING PROCESSES SHALL BE ARC WELDING A.W.S. E7014 OR MIG WELDING A.W.S. ER70S-6.
15. ANCHOR NOTES:
A. EMBEDMENT LENGTH DOES NOT INCLUDE STUCCO FINISH.
B. ANCHORS SHALL BE INSTALLED IN ACCORDANCE WITH MANUFACTURERS SPECIFICATIONS.
C. ANCHOR CAPACITY FOR THIS ROLL-UP DOOR IS BASED ON MIN. 3,000 P.S.I. CONCRETE EXCEPT WHERE NOTED..
D. FOR MINIMUM EMBEDMENT AND MINIMUM EDGE DISTANCE, REFER TO TABLES.
16. DOOR MAY BE INSTALLED ON THE INSIDE OR OUTSIDE OF AN EXTERIOR WALL
17. IF OPTIONAL PERFORATION PATTERN IS CHOSEN, MINIMUM SLAT THICKNESS IS 0.0405"
18. ALL SHAPES USED FOR GUIDE ASSEMBLIES MUST CONFORM TO ATSM A36 FOR STEEL OR ASTM A276 FOR TYPES 304 OR 316 WITH A MINIMUM 36 KSI YIELD STRENGTH.



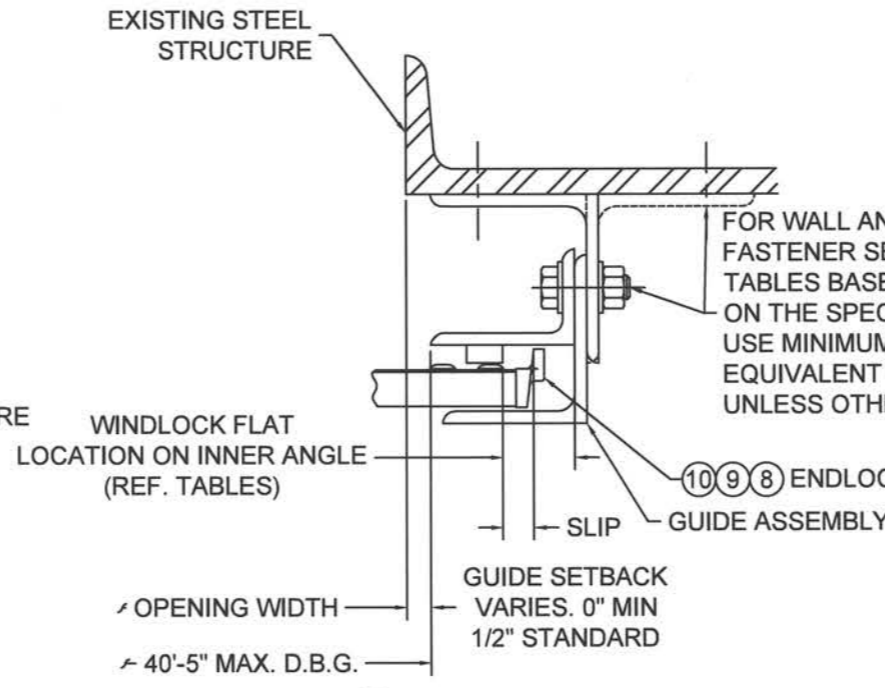
	24 ELMWOOD AVE 1901 S. LITCHFIELD RD MOUNTAINTOP, PA GOODYEAR, AZ	Unless otherwise specified, dimensions are in inches & tolerances are: 0.000 = +/- 0.031 FRACTIONAL = +/- 1/32 ANGLES = +/- 1/2 DEG			
	P: 800.233.8366 F: 800.526.0841 E: ADS@CORNELLIRON.COM				
TITLE: WIND LOAD CONFIGURATION NON-INSULATED ROLLING STEEL DOOR CP0020 SLAT IMPACT RATED		DRAWN BY: TJE	SIZE: B	SCALE: AS NOTED	SHEET: 2/46
		DWG NO: ES-16-60-CIW			

L'TR	REVISION	DATE	BY	E.C.O.
*	ORIGINAL ISSUE	09/25/14	TJE	1615
A	REFORMATTED TABLES; HOOD SUPPORT UPDATE	02/14/20	MAN	2027

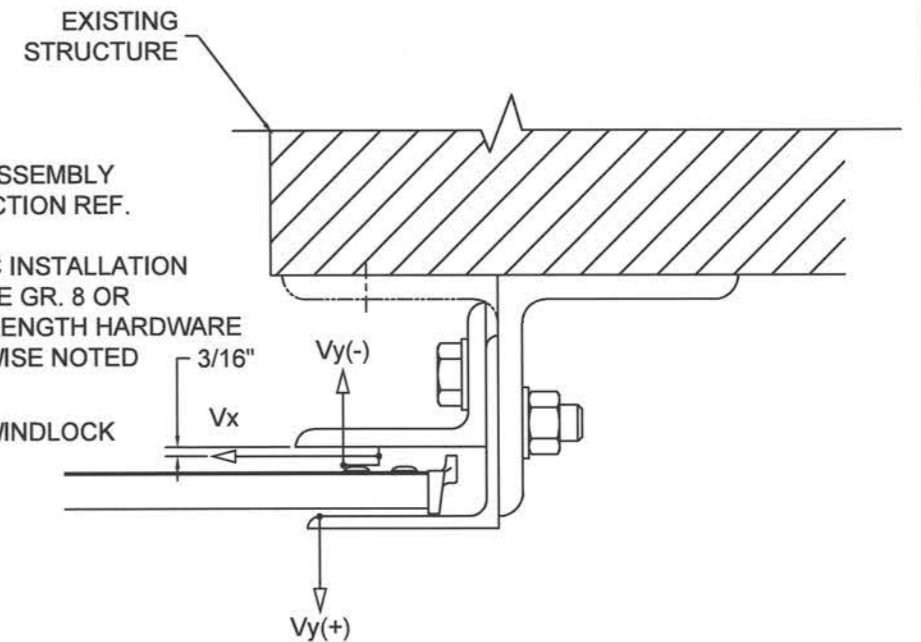


NOTE:
THROUGH BOLTING TO FILLED BLOCK REQUIRES THE USE OF 1/4" THICK STEEL OR STAINLESS STEEL CRUSH PLATE

⑤ GUIDE ASSEMBLY
CONCRETE OR FILLED BLOCK
STRUCTURE
(Z-GUIDE)



⑥ GUIDE ASSEMBLY
STEEL STRUCTURE
(Z-GUIDE OR E-GUIDE)



NOTE:

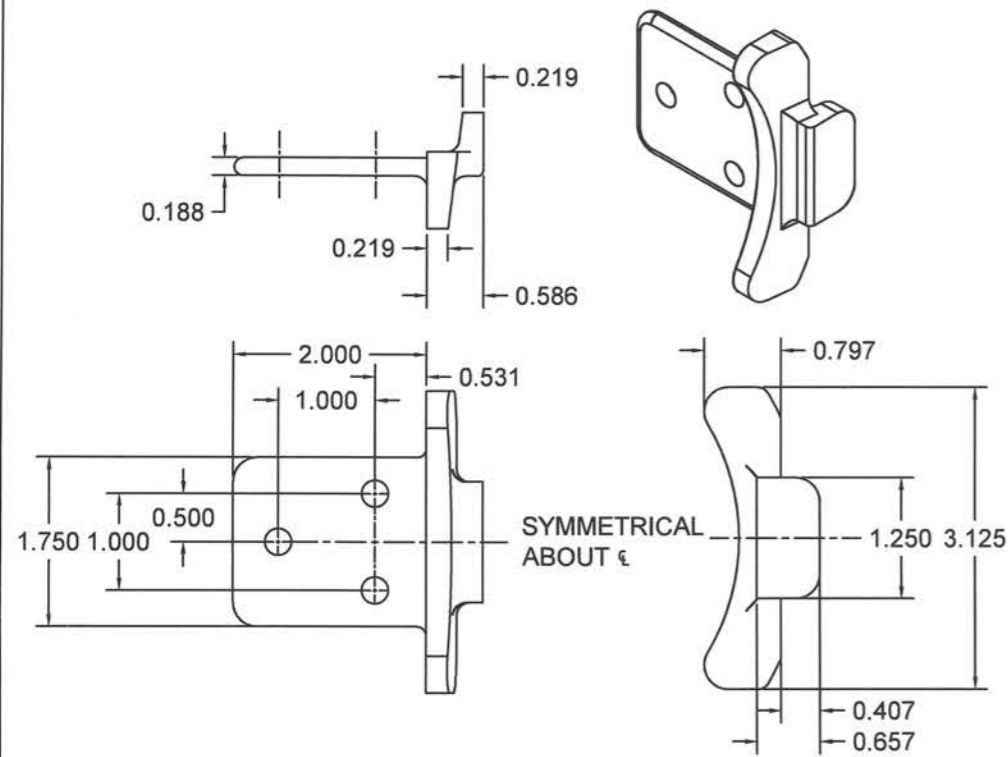
1. V_x & V_y ARE HORIZ. AND VERT. COMPONENTS OF THE REACTION, RESPECTIVELY, RESULTING FROM WIND LOADS ON THE ROLL-UP DOOR. THE EXISTING STRUCTURE SHALL BE CAPABLE OF RESISTING V_x & V_y FORCES SHOWN AND THE CORRESPONDING REACTIONS DUE TO THE ECCENTRICITIES OF THE FORCES.

⑦ SUPERIMPOSED LOAD DIAGRAM
SCALE: 3" = 1'-0"

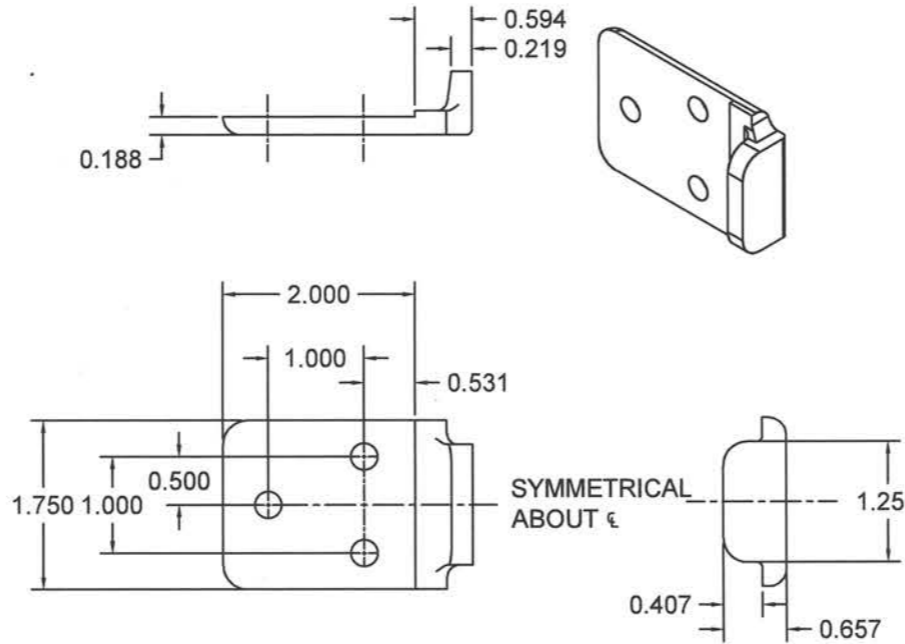


	24 ELMWOOD AVE 1901 S. LITCHFIELD RD MOUNTAINTOP, PA GOODYEAR, AZ	Unless otherwise specified, dimensions are in inches & tolerances are: 0.000 = +/- 0.031 FRACTIONAL = +/- 1/32 ANGLES = +/- 1/2 DEG
	P: 800.233.8366 F: 800.526.0841 E: ADS@CORNELLIRON.COM	TITLE: WIND LOAD CONFIGURATION NON-INSULATED ROLLING STEEL DOOR CP0020 SLAT IMPACT RATED

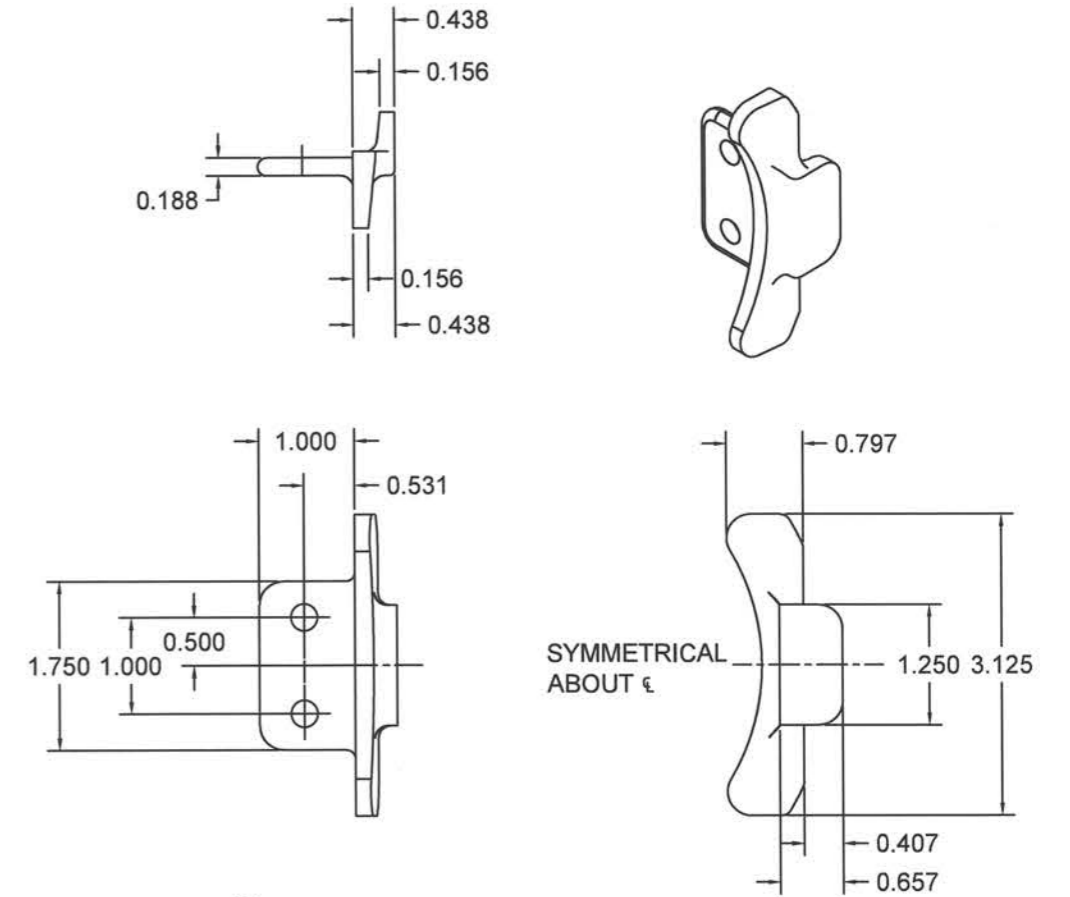
L'TR	REVISION	DATE	BY	E.C.O.
*	ORIGINAL ISSUE	09/25/14	TJE	1615
A	REFORMATTED TABLES; HOOD SUPPORT UPDATE	02/14/20	MAN	2027



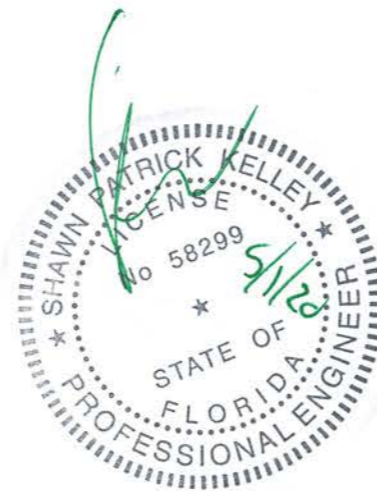
⑧ ENDLOCK / WINDLOCK DETAIL, CP1152
 CAST MALLEABLE IRON ASTM A47, GRADE 32510, OR
 DUCTILE IRON PER ASTM A536 GRADE 65-45-12, GALVANIZED IN ACCORDANCE WITH
 ASTM A123, GRADE 85 ZINC-COATING
 1/2 SCALE



⑨ WINDLOCK DETAIL, CP1153
 CAST MALLEABLE IRON ASTM A47, GRADE 32510, OR
 DUCTILE IRON PER ASTM A536 GRADE 65-45-12, GALVANIZED IN
 ACCORDANCE WITH ASTM A123, GRADE 85 ZINC-COATING
 1/2 SCALE

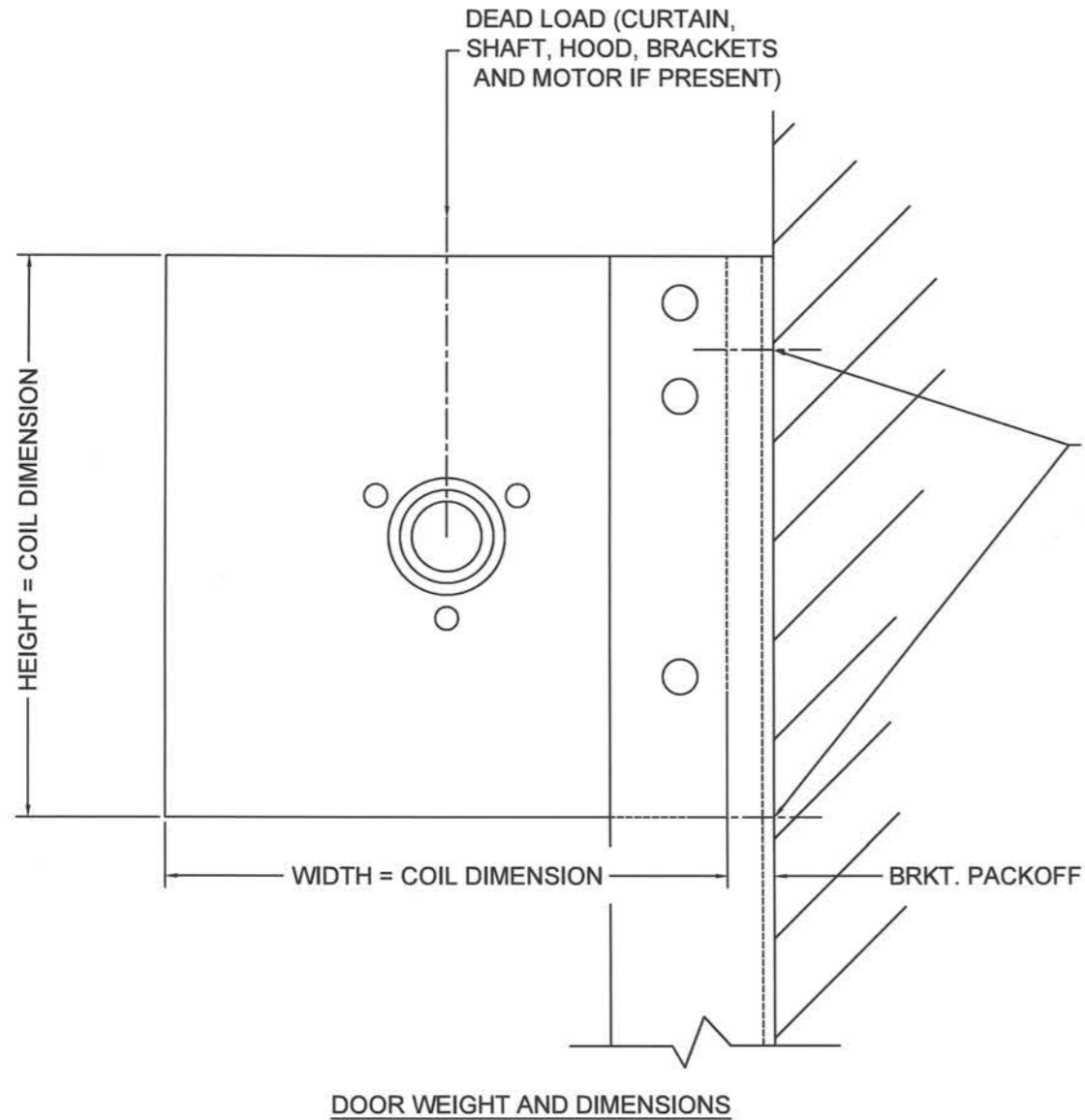


⑩ ENDLOCK / WINDLOCK DETAIL, CP1151
 CAST MALLEABLE IRON ASTM A47, GRADE 32510, OR
 DUCTILE IRON PER ASTM A536 GRADE 65-45-12, GALVANIZED IN ACCORDANCE WITH
 ASTM A123, GRADE 85 ZINC-COATING
 1/2 SCALE

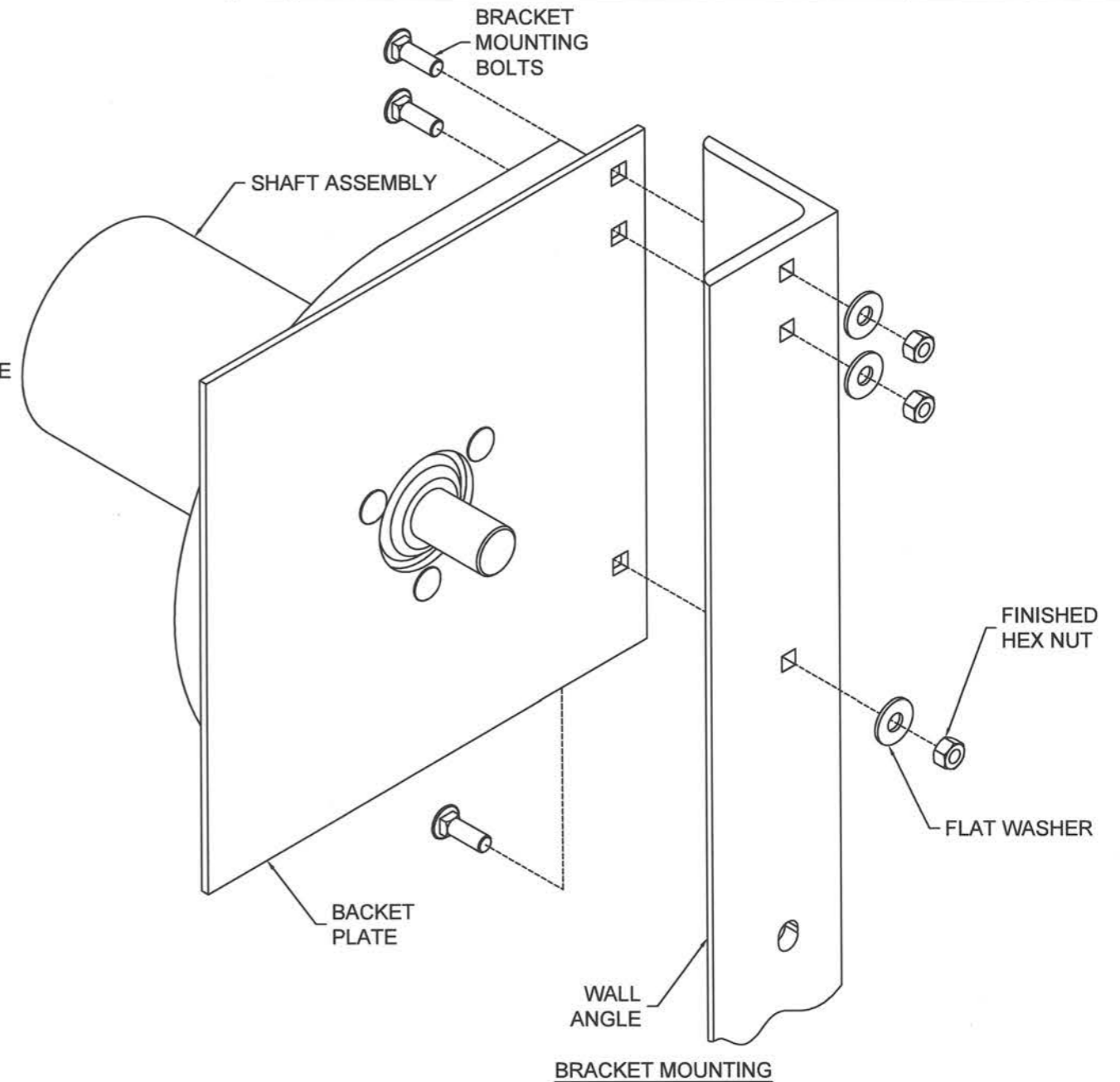


	24 ELMWOOD AVE 1901 S. LITCHFIELD RD MOUNTAINTOP, PA GOODYEAR, AZ	Unless otherwise specified, dimensions are in inches & tolerances are: 0.000 = +/- 0.031 FRACTIONAL = +/- 1/32 ANGLES = +/- 1/2 DEG	
	P: 800.233.8366 F: 800.526.0841 E: ADS@CORNELLIRON.COM		
TITLE: WIND LOAD CONFIGURATION NON-INSULATED ROLLING STEEL DOOR CP0020 SLAT IMPACT RATED	DRAWN BY: TJE DWG NO: ES-16-60-CIW	SIZE: B SCALE: AS NOTED	SHEET: 4/46

L'TR	REVISION	DATE	BY	E.C.O.
*	ORIGINAL ISSUE	09/25/14	TJE	1615
A	REFORMATTED TABLES; HOOD SUPPORT UPDATE	02/14/20	MAN	2027



FOR "WALL ANGLE" TO WALL CONNECTION, REF. TABLES BASED ON THE SPECIFIC INSTALLATION. USE AT LEAST ONE FASTENER OR WELD AT THE INDICATED LOCATIONS.



NOTE:

1. WHEN MOTOR IS PROVIDED, HEIGHT OR WIDTH DIMENSION MAY INCREASE UP TO 2-1/2" BASED ON MOTOR LOCATION. WHEN AN 8" DIAMETER OR LARGER SHAFT ASSEMBLY IS PROVIDED, HEIGHT DIMENSION INCREASES BY 2".

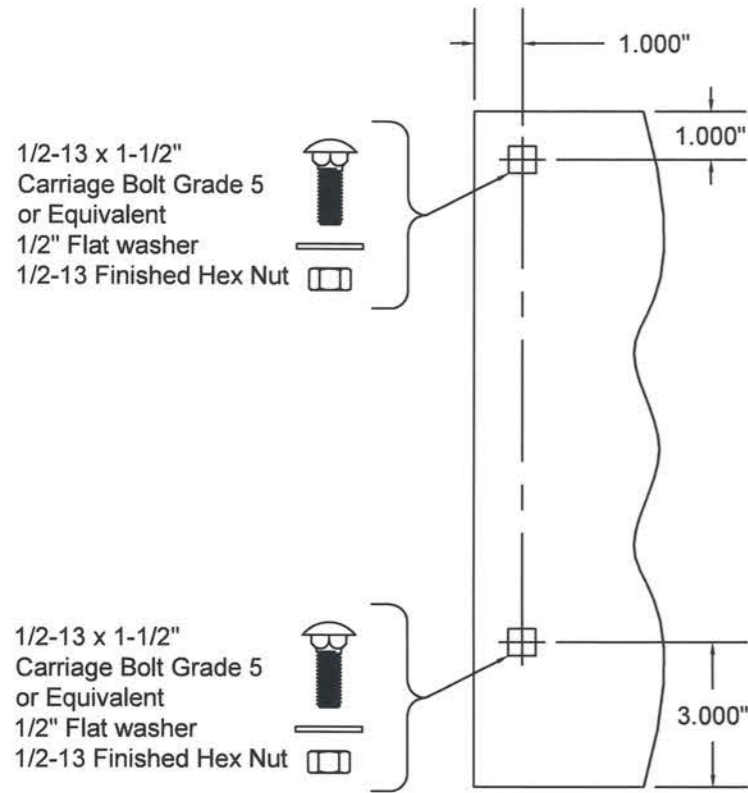
NOTE:

1. STANDARD BRACKET MOUNTING DETAIL IS DEPICTED, OTHER MOUNTINGS ARE AVAILABLE

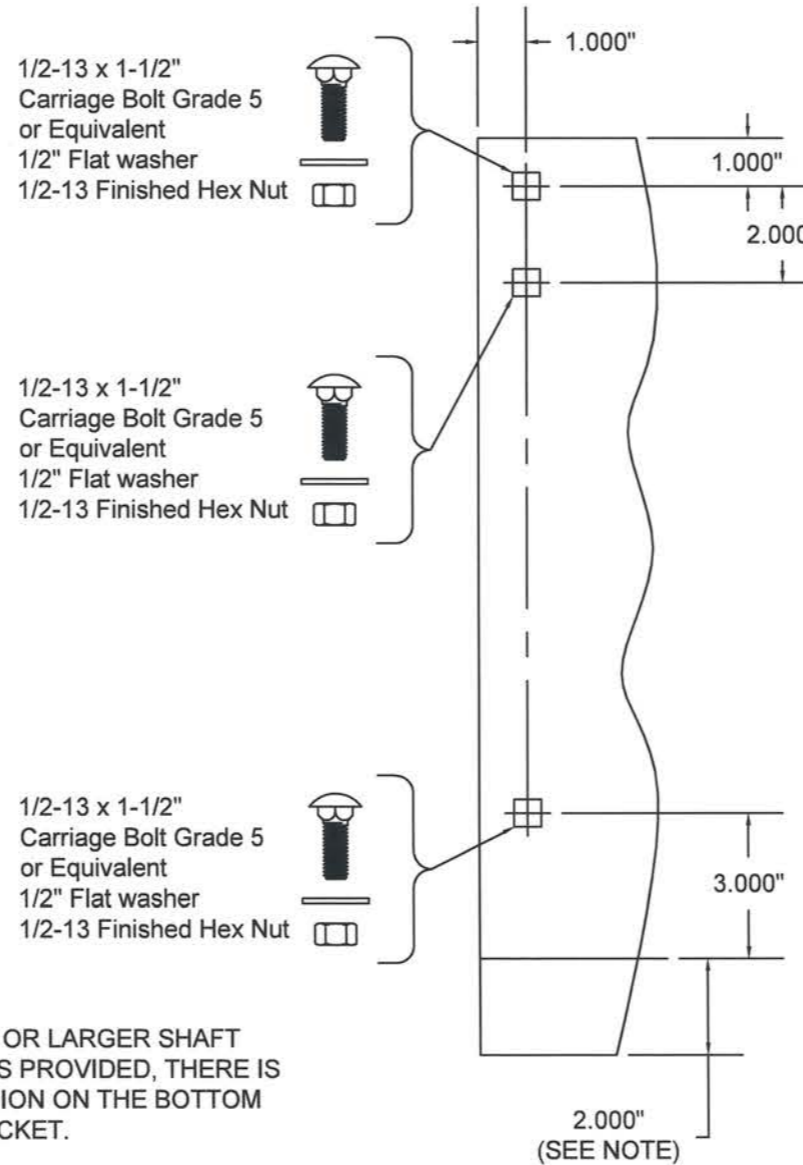


	24 ELMWOOD AVE 1901 S. LITCHFIELD RD MOUNTAINTOP, PA GOODYEAR, AZ	Unless otherwise specified, dimensions are in inches & tolerances are:
	P: 800.233.8366 F: 800.526.0841 E: ADS@CORNELLIRON.COM	0.000 = +/- 0.031 FRACTIONAL = +/- 1/32 ANGLES = +/- 1/2 DEG
TITLE: WIND LOAD CONFIGURATION NON-INSULATED ROLLING STEEL DOOR CP0020 SLAT IMPACT RATED	DRAWN BY: TJE SIZE: B SCALE: AS NOTED SHEET: 5/46	DWG NO: ES-16-60-CIW

L'TR	REVISION	DATE	BY	E.C.O.
*	ORIGINAL ISSUE	09/25/14	TJE	1615
A	REFORMATTED TABLES; HOOD SUPPORT UPDATE	02/14/20	MAN	2027

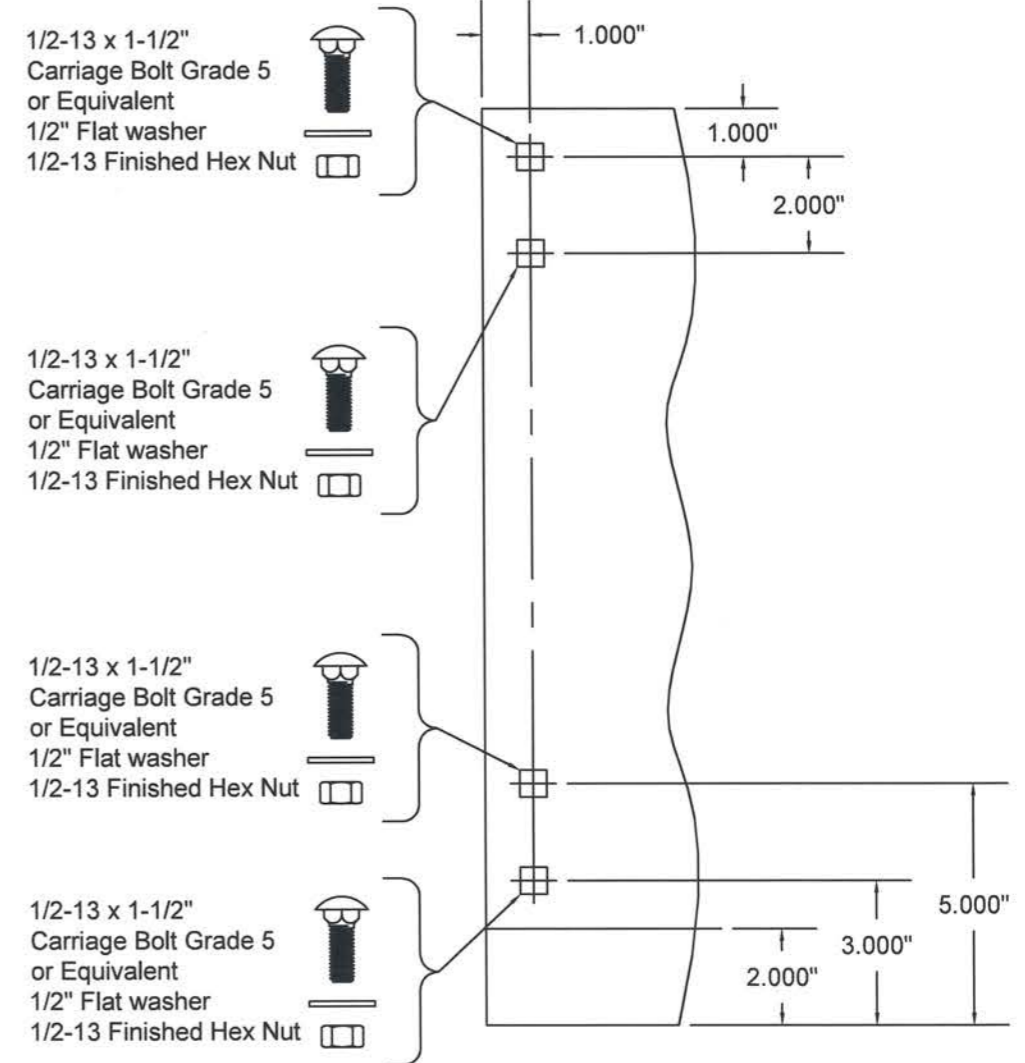


THRU 6"Ø SHAFT ASSEMBLY
 14" THRU 16" COIL DIMENSION
 MIN. THICKNESS 0.172" ASTM A36 STEEL
 OR ASTM A480 STAINLESS STEEL,
 TYPES 304 OR 316, MIN. 36 KSI YIELD STRENGTH
 SCALE: 1-1/2" = 1'-0"



NOTE:
 WHEN A 8"Ø OR LARGER SHAFT
 ASSEMBLY IS PROVIDED, THERE IS
 A 2" EXTENSION ON THE BOTTOM
 OF THE BRACKET.

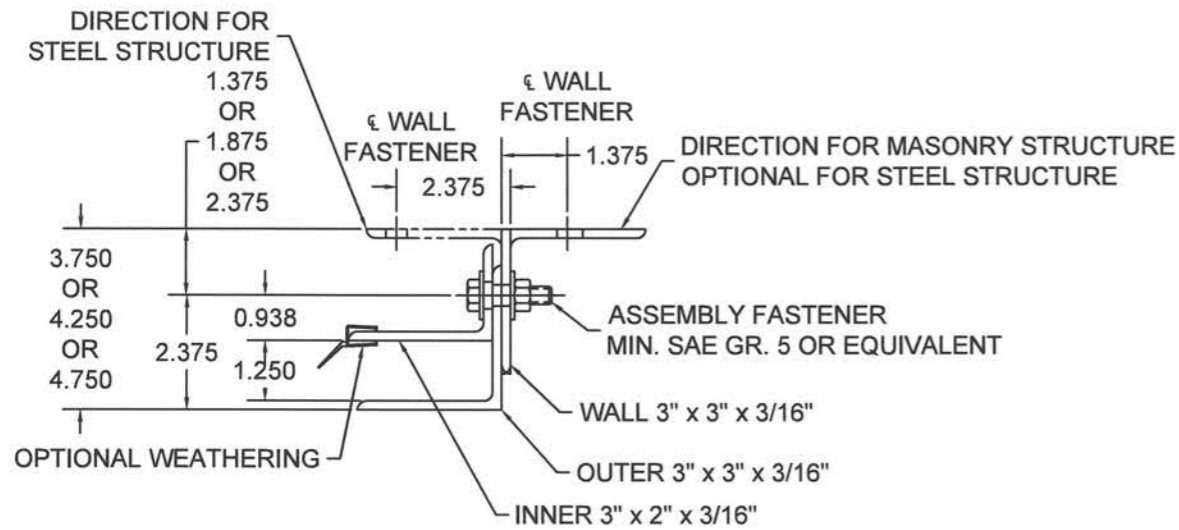
THRU 10"Ø SHAFT ASSEMBLY
 17" AND LARGER COIL DIMENSION
 MIN. THICKNESS 0.240" ASTM A36 STEEL
 OR ASTM A480 STAINLESS STEEL,
 TYPES 304 OR 316, MIN. 36 KSI YIELD STRENGTH
 SCALE: 1-1/2" = 1'-0"



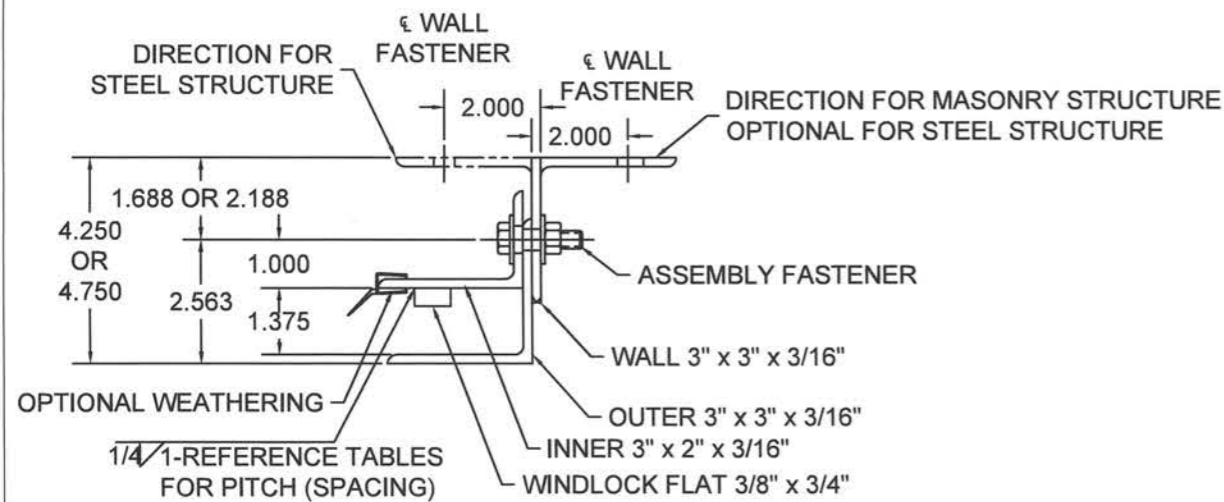
12"Ø SHAFT ASSEMBLY
 17" AND LARGER COIL DIMENSION
 MIN. THICKNESS 0.240" ASTM A36 STEEL
 OR ASTM A480 STAINLESS STEEL,
 TYPES 304 OR 316, MIN. 36 KSI YIELD STRENGTH
 SCALE: 1-1/2" = 1'-0"



	24 ELMWOOD AVE 1901 S. LITCHFIELD RD MOUNTAINTOP, PA GOODYEAR, AZ	Unless otherwise specified, dimensions are in inches & tolerances are: 0.000 = +/- 0.031 FRACTIONAL = +/- 1/32 ANGLES = +/- 1/2 DEG			
	P: 800.233.8366 F: 800.526.0841 E: ADS@CORNELLIRON.COM	TITLE: WIND LOAD CONFIGURATION NON-INSULATED ROLLING STEEL DOOR CP0020 SLAT IMPACT RATED	DRAWN BY: TJE	SIZE: B	SCALE: AS NOTED
DWG NO: ES-16-60-CIW					

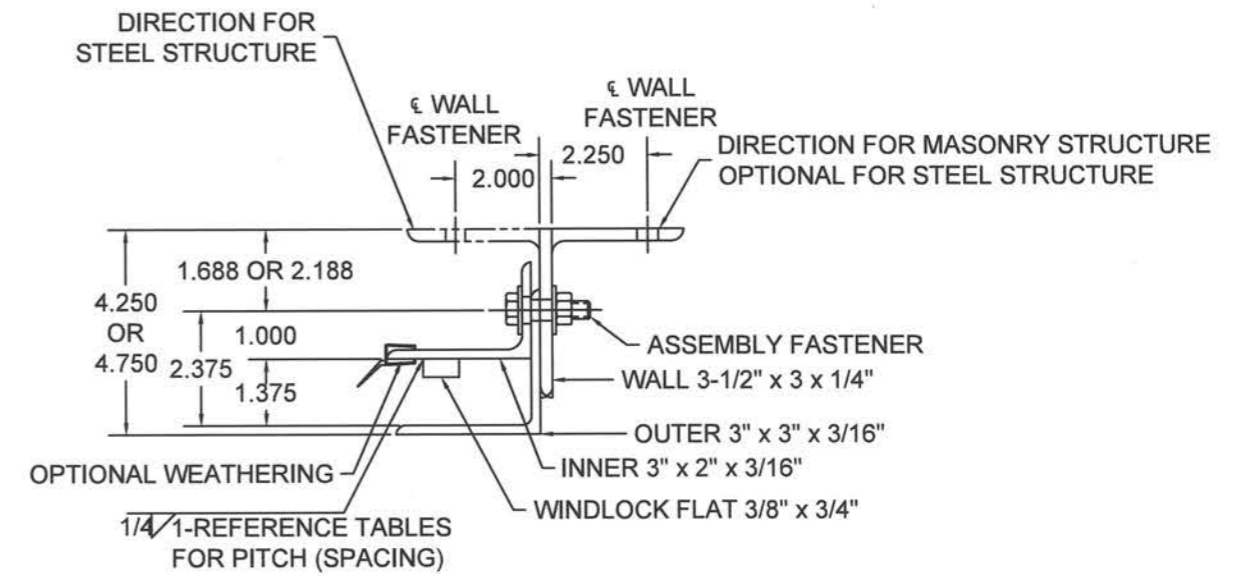


GUIDE ASSEMBLY TYPE 333* (NON-WINDLOCK)
SCALE: 3" = 1'-0"

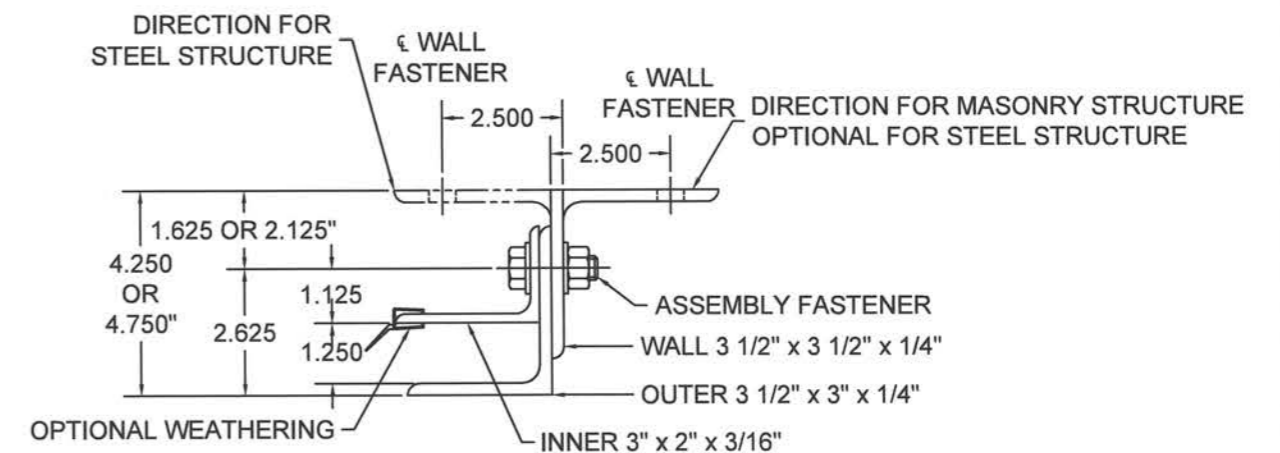


GUIDE ASSEMBLY TYPE 333
SCALE: 3" = 1'-0"

L'TR	REVISION	DATE	BY	E.C.O.
*	ORIGINAL ISSUE	09/25/14	TJE	1615
A	REFORMATTED TABLES; HOOD SUPPORT UPDATE	02/14/20	MAN	2027



GUIDE ASSEMBLY TYPE 334
SCALE: 3" = 1'-0"

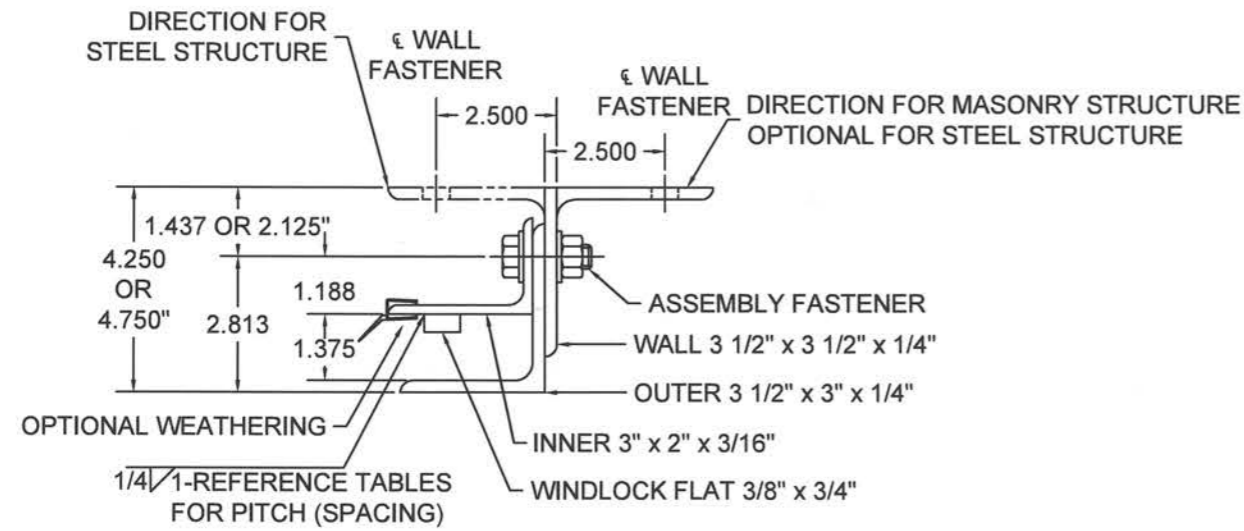


GUIDE ASSEMBLY TYPE 344* (NON-WINDLOCK)
SCALE: 3" = 1'-0"

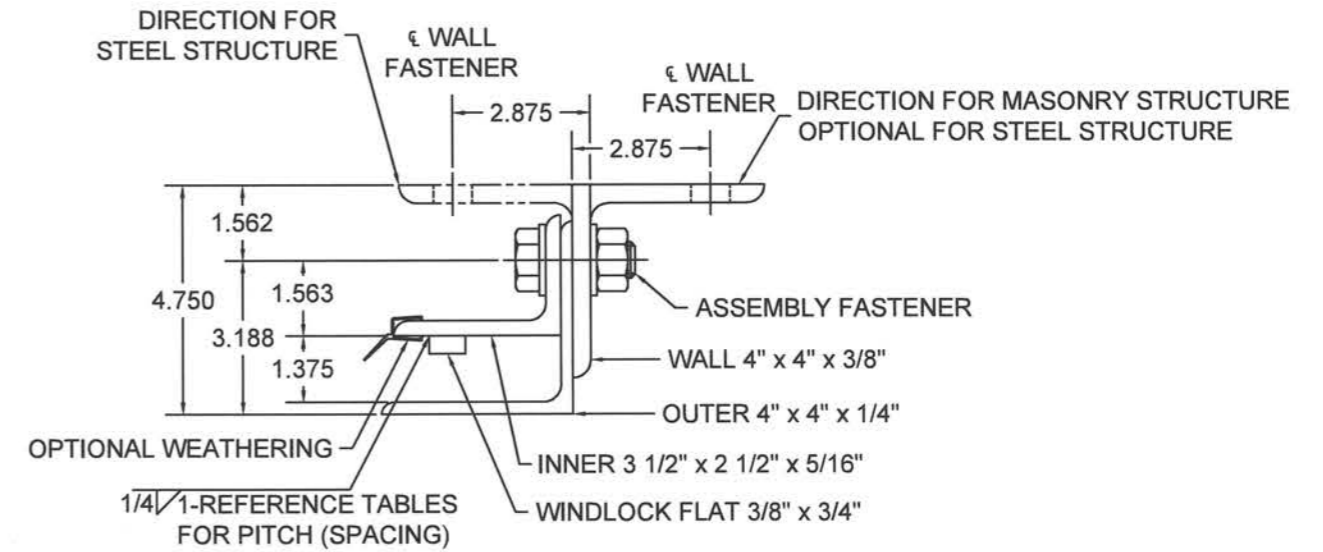


	24 ELMWOOD AVE 1901 S. LITCHFIELD RD MOUNTAINTOP, PA GOODYEAR, AZ	Unless otherwise specified, dimensions are in inches & tolerances are: 0.000 = +/- 0.031 FRACTIONAL = +/- 1/32 ANGLES = +/- 1/2 DEG			
	P: 800.233.8366 F: 800.526.0841 E: ADS@CORNELLIRON.COM	TITLE: WIND LOAD CONFIGURATION NON-INSULATED ROLLING STEEL DOOR CP0020 SLAT IMPACT RATED	DRAWN BY: TJE	SIZE: B	SCALE: AS NOTED
DWG NO: ES-16-60-CIW					

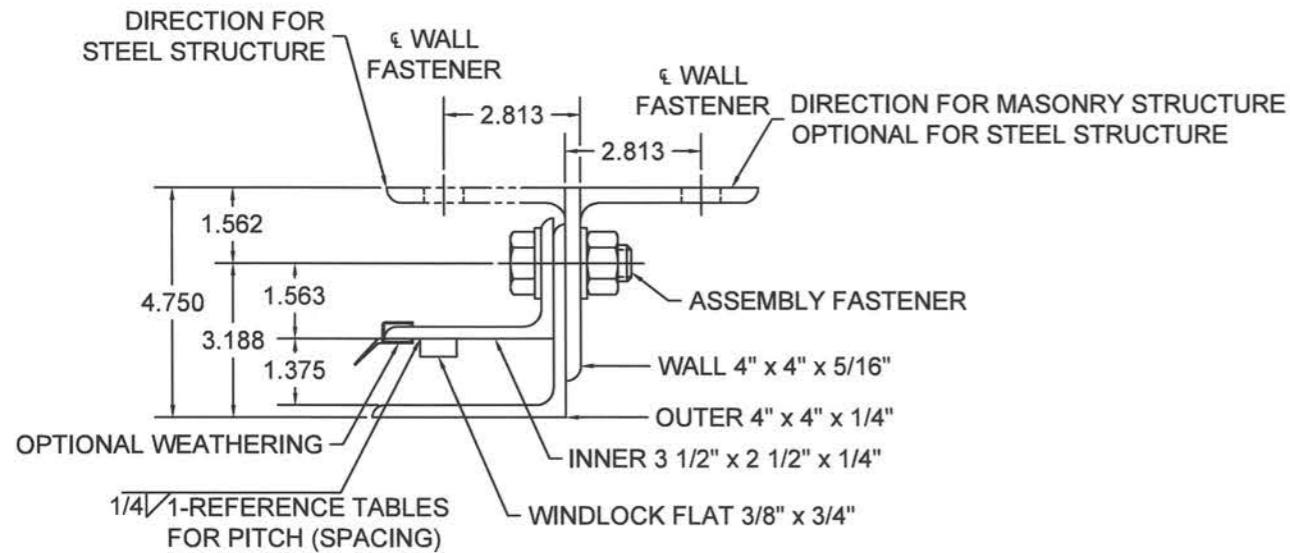
L'TR	REVISION	DATE	BY	E.C.O.
*	ORIGINAL ISSUE	09/25/14	TJE	1615
A	REFORMATTED TABLES; HOOD SUPPORT UPDATE	02/14/20	MAN	2027



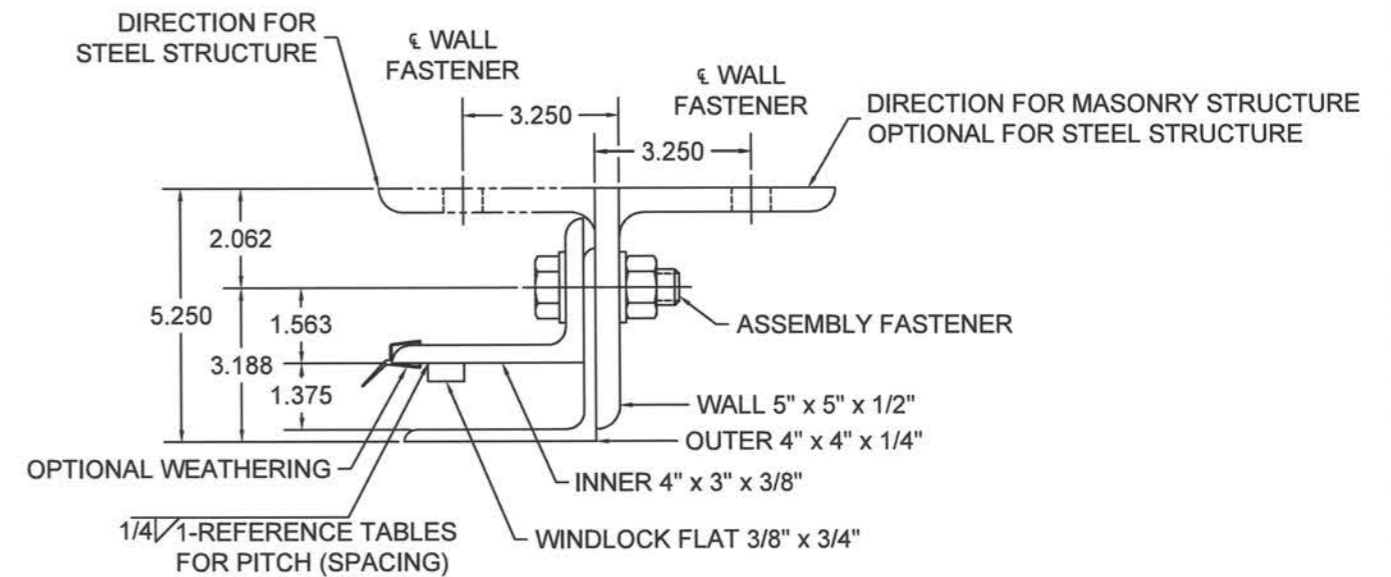
GUIDE ASSEMBLY TYPE 344
SCALE: 3" = 1'-0"



GUIDE ASSEMBLY TYPE 546
SCALE: 3" = 1'-0"



GUIDE ASSEMBLY TYPE 445
SCALE: 3" = 1'-0"

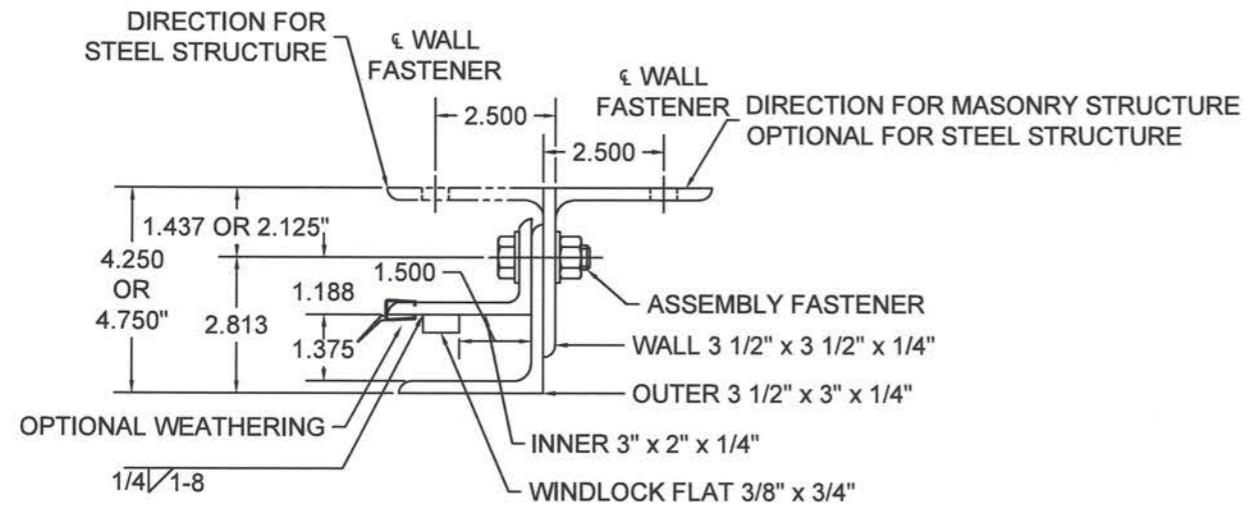


GUIDE ASSEMBLY TYPE 648
SCALE: 3" = 1'-0"

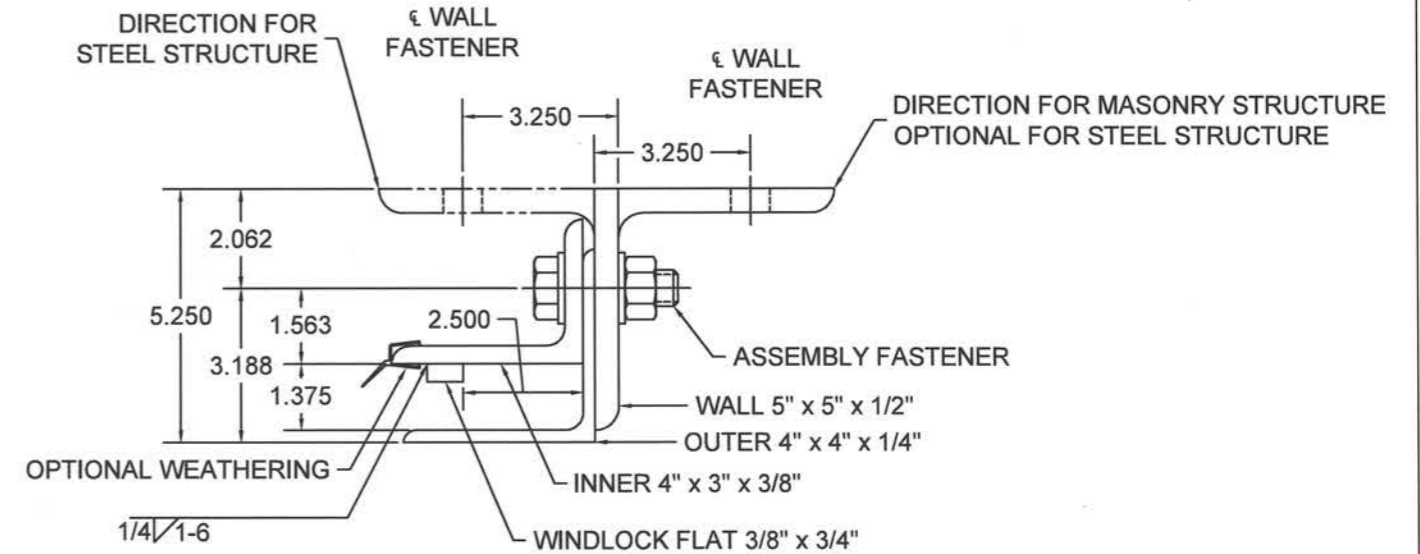


	24 ELMWOOD AVE 1901 S. LITCHFIELD RD MOUNTAINTOP, PA GOODYEAR, AZ	Unless otherwise specified, dimensions are in inches & tolerances are: 0.000 = +/- 0.031 FRACTIONAL = +/- 1/32 ANGLES = +/- 1/2 DEG			
	P: 800.233.8366 F: 800.526.0841 E: ADS@CORNELLIRON.COM	TITLE: WIND LOAD CONFIGURATION NON-INSULATED ROLLING STEEL DOOR CP0020 SLAT IMPACT RATED	DRAWN BY: TJE	SIZE: B	SCALE: AS NOTED
		DWG NO: ES-16-60-CIW			

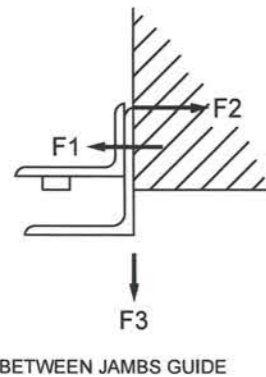
L'TR	REVISION	DATE	BY	E.C.O.
*	ORIGINAL ISSUE	09/25/14	TJE	1615
A	REFORMATTED TABLES; HOOD SUPPORT UPDATE	02/14/20	MAN	2027



GUIDE ASSEMBLY TYPE DC 1
SCALE: 3" = 1'-0"

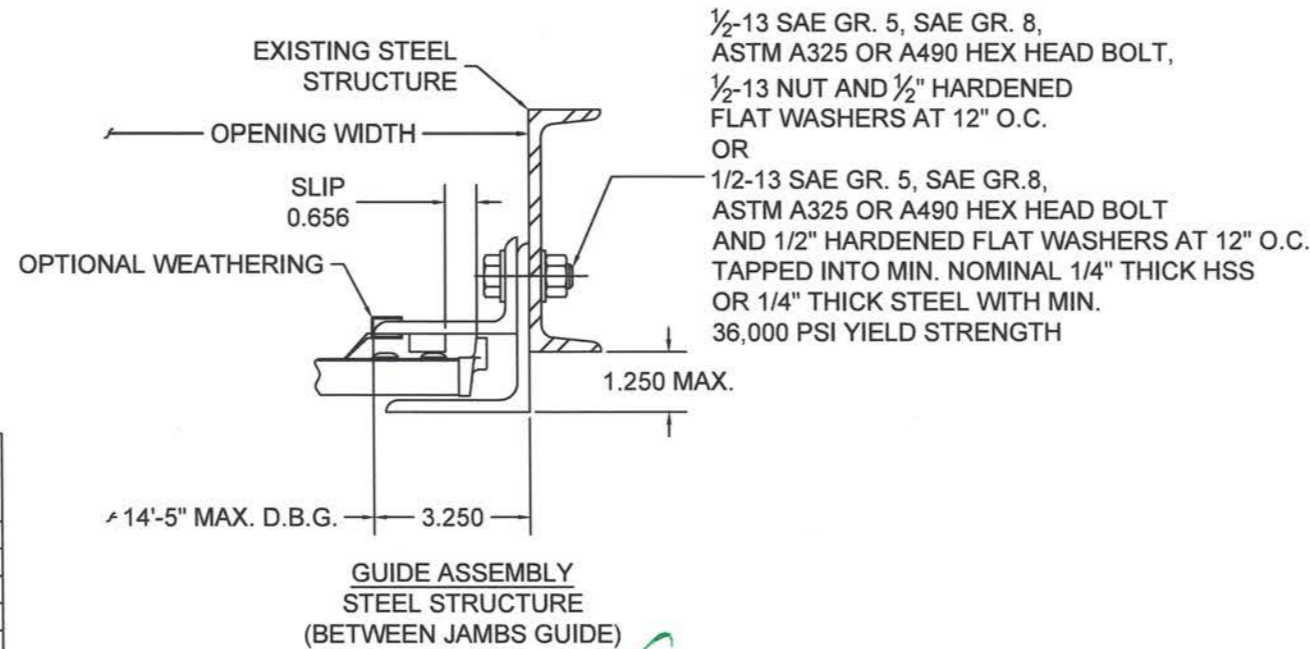


GUIDE ASSEMBLY TYPE DC 2 & DC 3
SCALE: 3" = 1'-0"



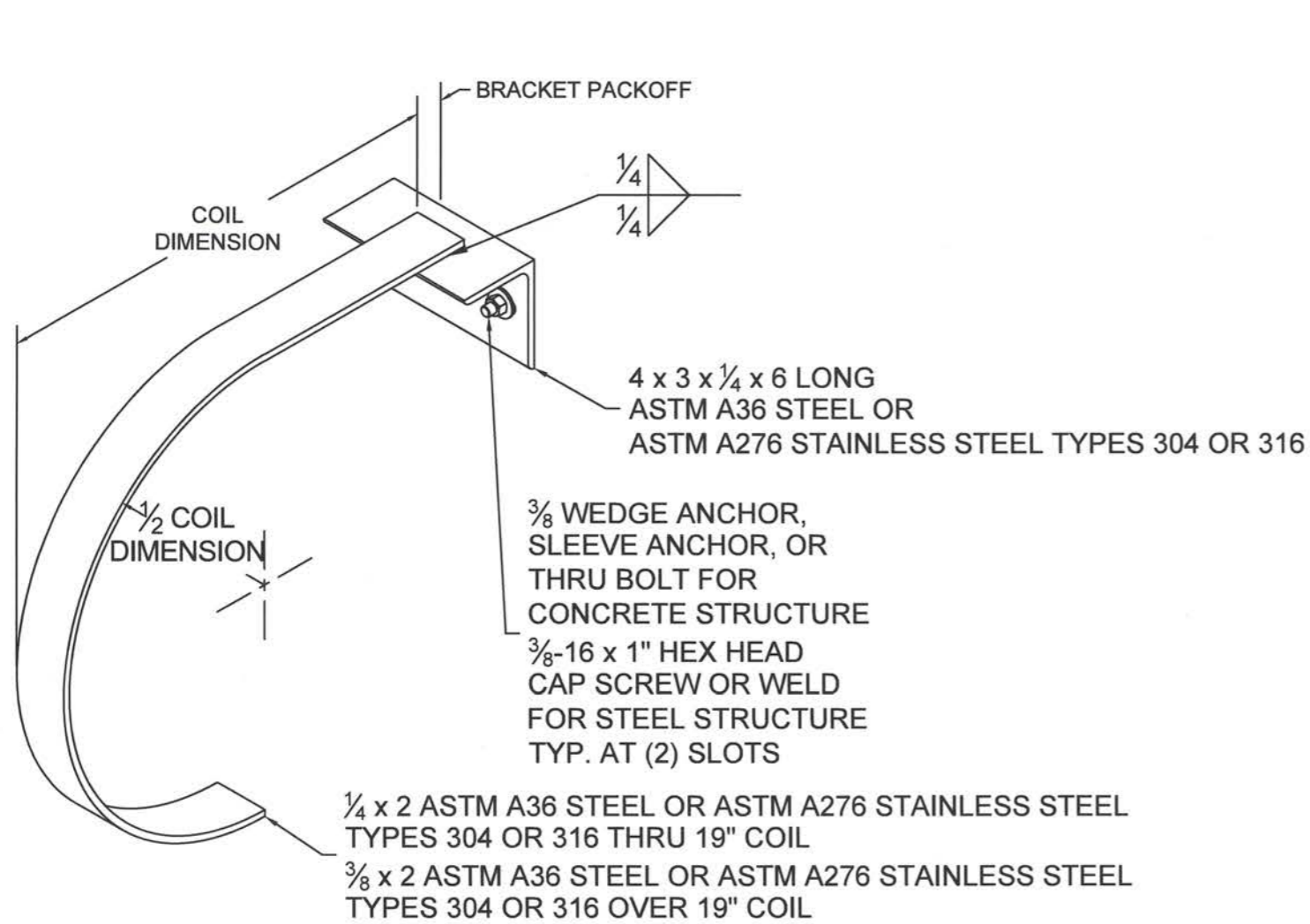
UNREDUCED WIND FORCES ON BUILDING STRUCTURE (LBS / FOOT OF HEIGHT)					
BETWEEN JAMBS GUIDE (14'-5" MAX. D.B.G.)					
POSITIVE			NEGATIVE		
F1	F2	F3	F1	F2	F3
3745	1832	478	8004	6091	478

BUILDING DESIGNER NOTE:
STRUCTURE MUST BE DESIGNED TO SUPPORT F1, F2, AND F3 FORCES (LBS./FT. OF OPENING HEIGHT) AT EACH JAMB.



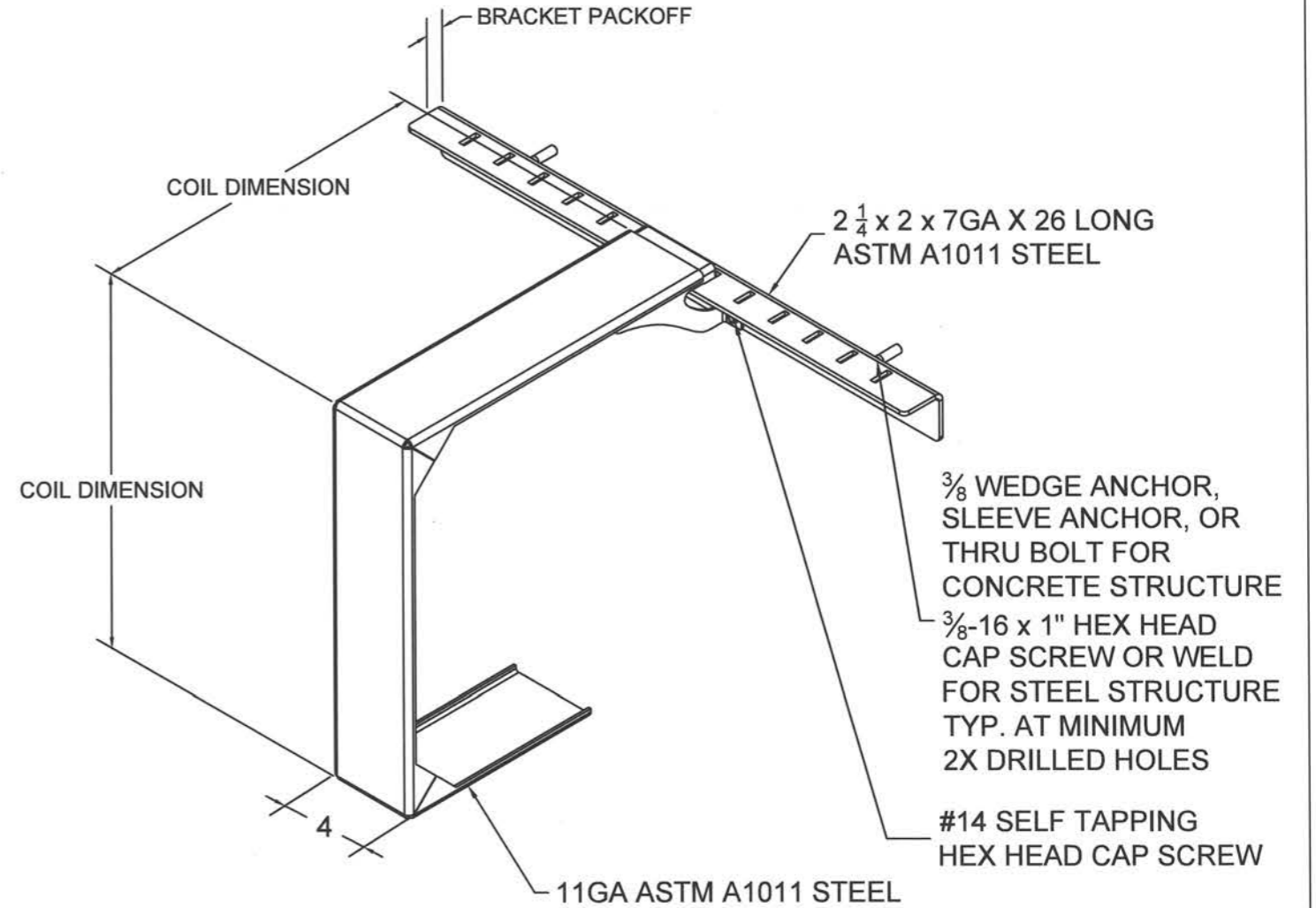
	24 ELMWOOD AVE 1901 S. LITCHFIELD RD MOUNTAINTOP, PA GOODYEAR, AZ	Unless otherwise specified, dimensions are in inches & tolerances are: 0.000 = +/- 0.031 FRACTIONAL = +/- 1/32 ANGLES = +/- 1/2 DEG			
	P: 800.233.8366 F: 800.526.0841 E: ADS@CORNELLIRON.COM	TITLE: WIND LOAD CONFIGURATION NON-INSULATED ROLLING STEEL DOOR CP0020 SLAT IMPACT RATED	DRAWN BY: TJE	SIZE: B	SCALE: AS NOTED
DWG NO: ES-16-60-CIW					

L'TR	REVISION	DATE	BY	E.C.O.
*	ORIGINAL ISSUE	09/25/14	TJE	1615
A	REFORMATTED TABLES; HOOD SUPPORT UPDATE	02/14/20	MAN	2027



MID-HOOD SUPPORT
(WHEN REQUIRED)

"D" SHAPE DEPICTED, SQUARE STYLE ALSO AVAILABLE
SCALE: NTS



MID-HOOD SUPPORT
(WHEN REQUIRED)

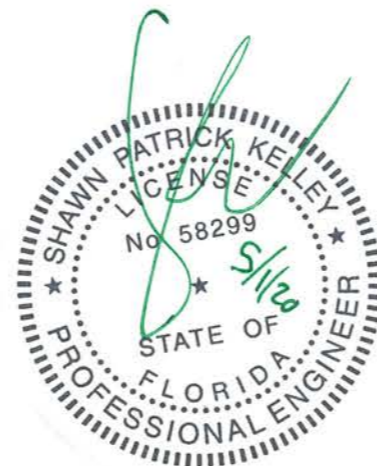
SQUARE STYLE DEPICTED, "D" SHAPE ALSO AVAILABLE
SCALE: NTS



	24 ELMWOOD AVE 1901 S. LITCHFIELD RD MOUNTAINTOP, PA GOODYEAR, AZ		Unless otherwise specified, dimensions are in inches & tolerances are:		
	P: 800.233.8366 F: 800.526.0841 E: ADS@CORNELLIRON.COM		0.000 = +/- 0.031 FRACTIONAL = +/- 1/32 ANGLES = +/- 1/2 DEG		
TITLE: WIND LOAD CONFIGURATION NON-INSULATED ROLLING STEEL DOOR CP0020 SLAT IMPACT RATED		DRAWN BY: TJE	SIZE: B	SCALE: AS NOTED	SHEET: 10/46
DWG NO: ES-16-60-CIW					

L'TR	REVISION	DATE	BY	E.C.O.
*	ORIGINAL ISSUE	10/15/14	TJE	1615
A	REFORMATTED TABLES; HOOD SUPPORT UPDATE	02/14/20	MAN	2027

CP0020 - 0.0236 Minimum Thickness Galvanized or Stainless Steel - 20 PSF																							
Concrete Minimum 3,000 PSI Compressive Strength (Anchors are the same diameter as assembly fasteners)																							
DBG Up To	Windlock Flat Location	Slip	Windlock	Guide Assembly	Windlock Weld Pitch	Assembly Fastener Diameter	Assembly Fastener Spacing	Hilti Kwik Bolt 3				Simpson Wedge All				Red Head Tru-Bolt				Powers Wedge-Bolt			
								Max O.C.	Embed	Min. Wall Thick.	Edge Dist	Max O.C.	Embed	Min. Wall Thick.	Edge Dist	Max O.C.	Embed	Min. Wall Thick.	Edge Dist	Max O.C.	Embed	Min. Wall Thick.	Edge Dist
8'-5"	N/A	N/A	N/A	333*	N/A	3/8	24	36	2 3/8	4	4 9/16	36	2 5/8	3 15/16	4 9/16	36	3	4 1/2	4 9/16	34	2	3	4 9/16
8'-5"	N/A	N/A	N/A	344*	N/A	3/8	24	36	2 3/8	4	5 3/4	24	2 5/8	3 15/16	5 3/4	25	3	4 1/2	5 3/4	19	2	3	5 3/4
14'-5"	1 3/8	0.594	CP1151	333	12	3/8	18	22	2 3/8	5	5 3/16	11	2 5/8	3 15/16	5 3/16	12	3	4 1/2	5 3/16	7	2	3	5 3/16
14'-5"	1 3/8	0.594	CP1151	344	12	1/2	18	22	2 1/4	4	5 3/4	27	4 1/2	6 3/4	5 3/4	22	4 1/8	6 3/16	5 3/4	12	2 1/2	3 3/4	5 3/4
15'-5"	1 1/2	0.719	CP1151	333	12	3/8	18	12	2 3/8	5	5 3/16	10	2 5/8	3 15/16	5 3/16	11	3	4 1/2	5 3/16	6	2	3	5 3/16
15'-5"	1 1/2	0.719	CP1151	344	12	1/2	18	11	2 1/4	4	5 3/4	25	4 1/2	6 3/4	5 3/4	20	4 1/8	6 3/16	5 3/4	11	2 1/2	3 3/4	5 3/4
16'-5"	1 1/2	0.719	CP1151	333	12	3/8	17	N/A				9	2 5/8	3 15/16	5 3/16	9	3	4 1/2	5 3/16	5	2	3	5 3/16
16'-5"	1 1/2	0.719	CP1151	344	12	1/2	18	36	3 5/8	6	5 3/4	21	4 1/2	6 3/4	5 3/4	17	4 1/8	6 3/16	5 3/4	9	2 1/2	3 3/4	5 3/4
17'-5"	1 1/2	0.719	CP1151	334	12	3/8	15	N/A				8	2 5/8	3 15/16	5 7/16	8	3	4 1/2	5 7/16	5	2	3	5 7/16
17'-5"	1 1/2	0.719	CP1151	344	12	1/2	18	36	3 5/8	6	5 3/4	18	4 1/2	6 3/4	5 3/4	15	4 1/8	6 3/16	5 3/4	8	2 1/2	3 3/4	5 3/4
18'-5"	1 1/2	0.719	CP1151	334	11	3/8	13	N/A				7	2 5/8	3 15/16	5 7/16	7	3	4 1/2	5 7/16	4	2	3	5 7/16
18'-5"	1 1/2	0.719	CP1151	344	11	1/2	18	36	3 5/8	6	5 3/4	16	4 1/2	6 3/4	5 3/4	13	4 1/8	6 3/16	5 3/4	7	2 1/2	3 3/4	5 3/4
19'-5"	1 1/2	0.719	CP1151	334	11	3/8	12	N/A				7	2 5/8	3 15/16	5 7/16	7	3	4 1/2	5 7/16	5	2 1/2	3 3/4	5 7/16
19'-5"	1 1/2	0.719	CP1151	344	11	1/2	18	36	3 5/8	6	5 3/4	15	4 1/2	6 3/4	5 3/4	12	4 1/8	6 3/16	5 3/4	6	2 1/2	3 3/4	5 3/4
20'-5"	1 1/2	0.656	CP1152	334	10	3/8	11	N/A				6	2 5/8	3 15/16	5 7/16	6	3	4 1/2	5 7/16	4	2 1/2	3 3/4	5 7/16
20'-5"	1 1/2	0.656	CP1152	344	10	1/2	18	19	3 5/8	6	5 3/4	13	4 1/2	6 3/4	5 3/4	10	4 1/8	6 3/16	5 3/4	8	3 1/2	5 1/4	5 3/4
21'-5"	1 1/2	0.656	CP1152	334	9	3/8	10	N/A				5	2 5/8	3 15/16	5 7/16	N/A				6	3 1/2	5 1/4	5 7/16
21'-5"	1 1/2	0.656	CP1152	344	9	1/2	18	28	3 5/8	8	5 3/4	11	4 1/2	6 3/4	5 3/4	9	4 1/8	6 3/16	5 3/4	7	3 1/2	5 1/4	5 3/4
22'-5"	2	1.219	CP1151	444	11	5/8	18	36	4 3/8	6	6 1/4	18	4 1/2	6 3/4	6 1/4	16	5 1/8	7 11/16	6 1/4	7	3	4 1/2	6 1/4
23'-5"	2	1.156	CP1152	444	10	5/8	18	36	4 3/8	6	6 1/4	16	4 1/2	6 3/4	6 1/4	14	5 1/8	7 11/16	6 1/4	10	4	6	6 1/4
24'-5"	2	1.156	CP1152	444	10	5/8	18	28	4 3/8	6	6 1/4	15	4 1/2	6 3/4	6 1/4	13	5 1/8	7 11/16	6 1/4	9	4	6	6 1/4
25'-5"	2	1.156	CP1152	444	9	5/8	18	36	4 3/8	8	6 1/4	14	4 1/2	6 3/4	6 1/4	12	5 1/8	7 11/16	6 1/4	9	4	6	6 1/4
26'-5"	2	1.156	CP1152	445	9	5/8	18	28	4 3/8	6	6 13/16	15	4 1/2	6 3/4	6 13/16	14	7 1/2	11 1/4	6 13/16	10	4	6	6 13/16
27'-5"	2	1.156	CP1152	445	9	5/8	18	22	4 3/8	6	6 13/16	14	4 1/2	6 3/4	6 13/16	13	7 1/2	11 1/4	6 13/16	9	4	6	6 13/16
28'-5"	2	1.156	CP1152	445	8	5/8	18	36	4 3/8	8	6 13/16	14	4 1/2	6 3/4	6 13/16	12	7 1/2	11 1/4	6 13/16	9	4	6	6 13/16
29'-5"	2	1.156	CP1152	445	8	5/8	18	36	4 3/8	8	6 13/16	13	4 1/2	6 3/4	6 13/16	12	7 1/2	11 1/4	6 13/16	8	4	6	6 13/16
30'-5"	2	1.156	CP1152	445	8	5/8	18	22	4 3/8	8	6 13/16	12	4 1/2	6 3/4	6 13/16	11	7 1/2	11 1/4	6 13/16	8	4	6	6 13/16
31'-5"	2	1.156	CP1152	445	8	5/8	18	N/A				11	4 1/2	6 3/4	6 13/16	N/A				7	4	6	6 13/16
32'-5"	2	1.156	CP1152 & CP1153	445	8	5/8	18	N/A				11	4 1/2	6 3/4	6 13/16	N/A				9	5	7 1/2	6 13/16
33'-5"	2	1.156	CP1152 & CP1153	445	7	5/8	18	N/A				10	4 1/2	6 3/4	6 13/16	N/A				9	5	7 1/2	6 13/16
34'-5"	2	1.156	CP1152 & CP1153	546	7	5/8	18	N/A				10	4 1/2	6 3/4	6 7/8	N/A				9	5	7 1/2	6 7/8
35'-5"	2	1.156	CP1152 & CP1153	546	7	5/8	18	N/A				10	4 1/2	6 3/4	6 7/8	N/A				8	5	7 1/2	6 7/8
36'-5"	2	1.156	CP1152 & CP1153	546	7	5/8	18	N/A				9	4 1/2	6 3/4	6 7/8	N/A				8	5	7 1/2	6 7/8
37'-5"	2	1.156	CP1152 & CP1153	546	7	5/8	18	N/A				9	4 1/2	6 3/4	6 7/8	N/A				8	5	7 1/2	6 7/8
38'-5"	2	1.156	CP1152 & CP1153	546	7	5/8	17	N/A				8	4 1/2	6 3/4	6 7/8	N/A				7	5	7 1/2	6 7/8
39'-5"	2	1.156	CP1152 & CP1153	546	6	5/8	17	N/A				8	4 1/2	6 3/4	6 7/8	N/A				N/A			
40'-5"	2	1.156	CP1152 & CP1153	546	6	5/8	16	N/A				8	4 1/2	6 3/4	6 7/8	N/A				N/A			



	24 ELMWOOD AVE 1901 S. LITCHFIELD RD MOUNTAINTOP, PA GOODYEAR, AZ		Unless otherwise specified, dimensions are in inches & tolerances are:		
	P: 800.233.8366 F: 800.526.0841 E: ADS@CORNELLIRON.COM		0.000 = +/- 0.031 FRACTIONAL = +/- 1/32 ANGLES = +/- 1/2 DEG		
TITLE: WIND LOAD CONFIGURATION NON-INSULATED ROLLING STEEL DOOR CP0020 SLAT IMPACT RATED		DRAWN BY: TJE	SIZE: B	SCALE: AS NOTED	SHEET: 11/46
		DWG NO: ES-16-60-CIW			

L'TR	REVISION	DATE	BY	E.C.O.
*	ORIGINAL ISSUE	10/15/14	TJE	1615
A	REFORMATTED TABLES; HOOD SUPPORT UPDATE	02/14/20	MAN	2027

CP0020 - 0.0236 Minimum Thickness Galvanized or Stainless Steel - 20 PSF, Cont.

DBG Up To	Filled CMU												Cracked Concrete Minimum 3,000 PSI Compressive Strength												Steel (Wall anchors are the same diameter as assembly fasteners)						Superimposed Loads											
	Hilti Kwik Bolt 3				Simpson Strong-Bolt 2				Through Bolt				Hilti Kwik Bolt TZ				Simpson Strong-Bolt 2				ITW Redhead Trubolt+				Welded		Through Bolt		Tapped		Vx (+)	Vy (+)	Vx (-)	Vy (-)								
	Max O.C.	Dia.	Embed	Edge Dist	Max O.C.	Dia.	Embed	Edge Dist	Max O.C.	Dia.	Edge Dist	Max O.C.	Dia.	Embed.	Min Wall Thick.	Edge Dist	Max O.C.	Dia.	Embed.	Min Wall Thick.	Edge Dist	Max O.C.	Dia.	Embed.	Min Wall Thick.	Edge Dist	Max O.C.	Slot Size	Max O.C.	Max O.C.					Min. Thickness							
8'-5"	10	3/8	1 5/8	4 9/16	17	3/8	2 5/8	4 9/16	36	3/8	4 9/16	36	3/8	2 5/16	4	4 9/16	36	3/8	1 7/8	3 1/4	4 9/16	36	3/8	2	4	4 9/16	36	7/16 x 5/8	36	36	3/16	0	85	0	85							
8'-5"	14	3/8	2 1/2	5 3/4	9	3/8	2 5/8	5 3/4	24	3/8	5 3/4	36	3/8	2 5/16	4	5 3/4	28 1/2	3/8	1 7/8	3 1/4	5 3/4	36	3/8	2	5	5 3/4	36	7/16 x 5/8	36	36	3/16	0	85	0	85							
14'-5"	8	1/2	3 1/2	5 3/16	10	3/4	5 1/4	5 3/16	11	3/8	5 3/16	16 1/4	1/2	3 5/8	6	5 3/16	36	1/2	3 7/8	6	5 3/16	28 1/2	1/2	3 3/4	8	5 3/16	29	7/16 x 5/8	29	19	3/16	465	145	456	145							
14'-5"	10	1/2	3 1/2	5 3/4	12	3/4	5 1/4	5 3/4	27	1/2	5 3/4	36	1/2	3 5/8	6	5 3/4	36	1/2	2 3/4	4 1/2	5 3/4	22 3/4	1/2	3 3/4	6	5 3/4	36	9/16 x 3/4	36	29	1/4	466	145	456	145							
15'-5"	8	3/4	3 1/4	5 3/16	9	3/4	5 1/4	5 3/16	10	3/8	5 3/16	36	1/2	3 5/8	8	5 3/16	28 1/2	1/2	3 7/8	6	5 3/16	36	3/4	4 3/8	7	5 3/16	27	7/16 x 5/8	27	18	3/16	499	155	491	155							
15'-5"	9	1/2	3 1/2	5 3/4	11	3/4	5 1/4	5 3/4	25	1/2	5 3/4	28 1/2	1/2	3 5/8	6	5 3/4	22 3/4	1/2	2 3/4	4 1/2	5 3/4	36	1/2	3 3/4	8	5 3/4	36	9/16 x 3/4	36	27	1/4	500	155	491	155							
16'-5"	10	3/4	4 3/8	5 3/16	8	3/4	5 1/4	5 3/16	9	3/8	5 3/16	36	3/4	5 9/16	8	5 3/16	22 3/4	3/4	4 1/8	6 3/4	5 3/16	22 3/4	3/4	4 3/8	7	5 3/16	23	7/16 x 5/8	23	15	3/16	596	165	589	165							
16'-5"	8	1/2	3 1/2	5 3/4	9	3/4	5 1/4	5 3/4	21	1/2	5 3/4	36	1/2	3 5/8	8	5 3/4	28 1/2	1/2	3 7/8	6	5 3/4	19	1/2	3 3/4	8	5 3/4	36	9/16 x 3/4	36	23	1/4	597	165	589	165							
17'-5"	9	3/4	4 3/8	5 7/16	N/A				8	3/8	5 7/16	36	3/4	5 9/16	8	5 7/16	16 1/4	3/4	4 1/8	6 3/4	5 7/16	16 1/4	3/4	4 3/8	7	5 7/16	20	7/16 x 5/8	20	13	3/16	691	175	685	175							
17'-5"	10	3/4	4 3/8	5 3/4	8	3/4	5 1/4	5 3/4	18	1/2	5 3/4	36	3/4	5 9/16	8	5 3/4	28 1/2	3/4	4 1/8	6 3/4	5 3/4	28 1/2	3/4	4 3/8	7	5 3/4	36	9/16 x 3/4	36	20	1/4	692	175	685	175							
18'-5"	8	3/4	4 3/8	5 7/16	N/A				7	3/8	5 7/16	36	3/4	5 9/16	8	5 7/16	36	3/4	5 3/4	8 3/4	5 7/16	19	3/4	4 3/8	8	5 7/16	17	7/16 x 5/8	17	11	3/16	785	185	779	186							
18'-5"	9	3/4	4 3/8	5 3/4	N/A				16	1/2	5 3/4	36	3/4	5 9/16	8	5 3/4	36	3/4	5 3/4	8 3/4	5 3/4	36	3/4	4 3/8	8	5 3/4	31	9/16 x 3/4	31	17	1/4	786	185	779	186							
19'-5"	N/A				N/A				7	3/8	5 7/16	N/A				N/A				N/A				15	7/16 x 5/8	15	10	3/16	878	195	872	196										
19'-5"	8	3/4	4 3/8	5 3/4	N/A				15	1/2	5 3/4	36	3/4	5 9/16	8	5 3/4	36	3/4	5 3/4	8 3/4	5 3/4	19	3/4	4 3/8	8	5 3/4	28	9/16 x 3/4	28	15	1/4	879	196	872	196							
20'-5"	N/A				N/A				6	3/8	5 7/16	N/A				N/A				N/A				13	7/16 x 5/8	13	8	3/16	1024	206	1017	206										
20'-5"	N/A				N/A				13	1/2	5 3/4	N/A				N/A				N/A				24	9/16 x 3/4	24	13	1/4	1025	206	1017	206										
21'-5"	N/A				N/A				5	3/8	5 7/16	N/A				N/A				N/A				12	7/16 x 5/8	12	8	3/16	1120	216	1114	217										
21'-5"	N/A				N/A				11	1/2	5 3/4	N/A				N/A				N/A				22	9/16 x 3/4	22	12	1/4	1121	216	1114	217										
22'-5"	8	3/4	4 3/8	6 1/4	N/A				18	5/8	6 1/4	19	5/8	4 7/16	8	6 1/4	28 1/2	5/8	5 1/8	7 7/8	6 1/4	36	5/8	4 3/4	6 1/4	6 1/4	36	11/16 x 7/8	36	26	5/16	862	224	856	225							
23'-5"	N/A				N/A				16	5/8	6 1/4	N/A				N/A				N/A				36	3/4	5 3/4	8 3/4	6 1/4	19	5/8	4 3/4	6 1/4	6 1/4	36	11/16 x 7/8	36	23	5/16	965	235	959	235
24'-5"	N/A				N/A				15	5/8	6 1/4	N/A				N/A				N/A				N/A				36	11/16 x 7/8	36	21	5/16	1041	245	1035	245						
25'-5"	N/A				N/A				14	5/8	6 1/4	N/A				N/A				N/A				N/A				36	11/16 x 7/8	36	20	5/16	1117	255	1112	256						
26'-5"	N/A				N/A				15	5/8	6 13/16	N/A				N/A				N/A				N/A				36	11/16 x 7/8	36	22	5/16	1195	265	1189	266						
27'-5"	N/A				N/A				14	5/8	6 13/16	N/A				N/A				N/A				N/A				36	11/16 x 7/8	36	21	5/16	1273	275	1267	276						
28'-5"	N/A				N/A				14	5/8	6 13/16	N/A				N/A				N/A				N/A				36	11/16 x 7/8	36	20	5/16	1352	286	1346	286						
29'-5"	N/A				N/A				13	5/8	6 13/16	N/A				N/A				N/A				N/A				34	11/16 x 7/8	34	19	5/16	1431	296	1425	296						
30'-5"	N/A				N/A				12	5/8	6 13/16	N/A				N/A				N/A				N/A				32	11/16 x 7/8	32	18	5/16	1512	306	1506	307						
31'-5"	N/A				N/A				11	5/8	6 13/16	N/A				N/A				N/A				N/A				30	11/16 x 7/8	30	17	5/16	1593	316	1587	317						
32'-5"	N/A				N/A				11	5/8	6 13/16	N/A				N/A				N/A				N/A				29	11/16 x 7/8	29	16	5/16	1675	327	1669	327						
33'-5"	N/A				N/A				10	5/8	6 13/16	N/A				N/A				N/A				N/A				28	11/16 x 7/8	28	15	5/16	1758	337	1752	338						
34'-5"	N/A				N/A				10	5/8	6 7/8	N/A				N/A				N/A				N/A				25	11/16 x 7/8	25	14	5/16	1842	347	1836	348						
35'-5"	N/A				N/A				10	5/8	6 7/8	N/A				N/A				N/A				N/A				24	11/16 x 7/8	24	13	5/16	1927	358	1921	358						
36'-5"	N/A				N/A				9	5/8	6 7/8	N/A				N/A				N/A				N/A				23	11/16 x 7/8	23	12	5/16	2013	368	2007	369						
37'-5"	N/A				N/A				9	5/8	6 7/8	N/A				N/A				N/A				N/A				22	11/16 x 7/8	22	12	5/16	2100	378	2094	379						
38'-5"	N/A				N/A				8	5/8	6 7/8	N/A				N/A				N/A				N/A				21	11/16 x 7/8	21	11	5/16	2188	389	2182	390						
39'-5"	N/A				N/A				8	5/8	6 7/8	N/A				N/A				N/A				N/A				20	11/16 x 7/8	20	11	5/16	2277	399	2271	400						
40'-5"	N/A				N/A				8	5/8	6 7/8	N/A				N/A				N/A				N/A				19	11/16 x 7/8	19	10	5/16	2367	410	2361	411						



	24 ELMWOOD AVE 1901 S. LITCHFIELD RD MOUNTAINTOP, PA GOODYEAR, AZ		Unless otherwise specified, dimensions are in inches & tolerances are: 0.000 = +/- 0.031 FRACTIONAL = +/- 1/32 ANGLES = +/- 1/2 DEG
	P: 800.233.8366 F: 800.526.0841 E: ADS@CORNELLIRON.COM		
TITLE: WIND LOAD CONFIGURATION NON-INSULATED ROLLING STEEL DOOR CP0020 SLAT IMPACT RATED		DRAWN BY: TJE	SIZE: B SCALE: AS NOTED SHEET: 12/46
		DWG NO: ES-16-60-CIW	

L'TR	REVISION	DATE	BY	E.C.O.
*	ORIGINAL ISSUE	10/15/14	TJE	1615
A	REFORMATTED TABLES; HOOD SUPPORT UPDATE	02/14/20	MAN	2027

CP0020 - 0.0236 Minimum Thickness Galvanized or Stainless Steel - 30 PSF																							
Concrete Minimum 3,000 PSI Compressive Strength (Anchors are the same diameter as assembly fasteners)																							
DBG Up To	Windlock Flat Location	Slip	Windlock	Guide Assembly	Windlock Weld Pitch	Assembly Fastener Diameter	Assembly Fastener Spacing	Hilti Kwik Bolt 3				Simpson Wedge All				Red Head Tru-Bolt				Powers Wedge-Bolt			
								Max O.C.	Embed	Min. Wall Thick.	Edge Dist	Max O.C.	Embed	Min. Wall Thick.	Edge Dist	Max O.C.	Embed	Min. Wall Thick.	Edge Dist	Max O.C.	Embed	Min. Wall Thick.	Edge Dist
6'-5"	N/A	N/A	N/A	333*	N/A	3/8	24	36	2 3/8	4	4 9/16	36	2 5/8	3 15/16	4 9/16	36	3	4 1/2	4 9/16	30	2	3	4 9/16
6'-5"	N/A	N/A	N/A	344*	N/A	3/8	24	36	2 3/8	4	5 3/4	21	2 5/8	3 15/16	5 3/4	22	3	4 1/2	5 3/4	17	2	3	5 3/4
14'-5"	1 3/8	0.594	CP1151	334	11	3/8	12	N/A				7	2 5/8	3 15/16	5 7/16	7	3	4 1/2	5 7/16	4	2	3	5 7/16
14'-5"	1 3/8	0.594	CP1151	344	11	1/2	18	36	3 5/8	6	5 3/4	15	4 1/2	6 3/4	5 3/4	12	4 1/8	6 3/16	5 3/4	7	2 1/2	3 3/4	5 3/4
15'-5"	1 1/2	0.719	CP1151	334	11	3/8	12	N/A				7	2 5/8	3 15/16	5 7/16	7	3	4 1/2	5 7/16	5	2 1/2	3 3/4	5 7/16
15'-5"	1 1/2	0.719	CP1151	344	11	1/2	18	36	3 5/8	6	5 3/4	15	4 1/2	6 3/4	5 3/4	12	4 1/8	6 3/16	5 3/4	6	2 1/2	3 3/4	5 3/4
16'-5"	1 1/2	0.656	CP1152	334	10	3/8	10	N/A				5	2 5/8	3 15/16	5 7/16	N/A				7	3 1/2	5 1/4	5 7/16
16'-5"	1 1/2	0.656	CP1152	344	10	1/2	18	36	3 5/8	8	5 3/4	12	4 1/2	6 3/4	5 3/4	10	4 1/8	6 3/16	5 3/4	8	3 1/2	5 1/4	5 3/4
17'-5"	1 1/2	0.656	CP1152	344	9	1/2	18	19	3 5/8	8	5 3/4	11	4 1/2	6 3/4	5 3/4	9	4 1/8	6 3/16	5 3/4	7	3 1/2	5 1/4	5 3/4
18'-5"	2	1.156	CP1152	444	10	5/8	18	36	4 3/8	6	6 1/4	16	4 1/2	6 3/4	6 1/4	14	5 1/8	7 11/16	6 1/4	10	4	6	6 1/4
19'-5"	2	1.156	CP1152	444	10	5/8	18	19	4 3/8	6	6 1/4	14	4 1/2	6 3/4	6 1/4	13	5 1/8	7 11/16	6 1/4	9	4	6	6 1/4
20'-5"	2	1.156	CP1152	445	9	5/8	18	28	4 3/8	6	6 13/16	15	4 1/2	6 3/4	6 13/16	14	7 1/2	11 1/4	6 13/16	10	4	6	6 13/16
21'-5"	2	1.156	CP1152	445	9	5/8	18	36	4 3/8	8	6 13/16	14	4 1/2	6 3/4	6 13/16	13	7 1/2	11 1/4	6 13/16	9	4	6	6 13/16
22'-5"	2	1.156	CP1152	445	8	5/8	18	36	4 3/8	8	6 13/16	13	4 1/2	6 3/4	6 13/16	12	7 1/2	11 1/4	6 13/16	8	4	6	6 13/16
23'-5"	2	1.156	CP1152	445	8	5/8	18	22	4 3/8	8	6 13/16	12	4 1/2	6 3/4	6 13/16	11	7 1/2	11 1/4	6 13/16	8	4	6	6 13/16
24'-5"	2	1.156	CP1152 & CP1153	445	8	5/8	18	N/A				11	4 1/2	6 3/4	6 13/16	N/A				7	4	6	6 13/16
25'-5"	2	1.156	CP1152 & CP1153	445	7	5/8	18	N/A				10	4 1/2	6 3/4	6 13/16	N/A				9	5	7 1/2	6 13/16
26'-5"	2	1.156	CP1152 & CP1153	546	7	5/8	18	N/A				10	4 1/2	6 3/4	6 7/8	N/A				9	5	7 1/2	6 7/8
27'-5"	2	1.156	CP1152 & CP1153	546	7	5/8	18	N/A				9	4 1/2	6 3/4	6 7/8	N/A				8	5	7 1/2	6 7/8
28'-5"	2	1.156	CP1152 & CP1153	546	7	5/8	18	N/A				9	4 1/2	6 3/4	6 7/8	N/A				8	5	7 1/2	6 7/8
29'-5"	2	1.156	CP1152 & CP1153	546	7	5/8	17	N/A				8	4 1/2	6 3/4	6 7/8	N/A				7	5	7 1/2	6 7/8
30'-5"	2	1.156	CP1152 & CP1153	546	6	5/8	16	N/A				8	4 1/2	6 3/4	6 7/8	N/A				N/A			
31'-5"	2	1.156	CP1152 & CP1153	546	6	5/8	15	N/A				7	4 1/2	6 3/4	6 7/8	N/A				N/A			
32'-5"	2	1.156	CP1152 & CP1153	546	6	5/8	15	N/A				7	4 1/2	6 3/4	6 7/8	N/A				N/A			
33'-5"	2	1.156	CP1152 & CP1153	546	6	5/8	14	N/A				7	4 1/2	6 3/4	6 7/8	N/A				N/A			
34'-5"	2	1.156	CP1152 & CP1153	648	6	3/4	18	N/A				6	4 1/2	6 3/4	6 7/8	N/A				N/A			
35'-5"	2 1/2	1.656	CP1152 & CP1153	648	6	3/4	18	N/A				9	5	7 1/2	7 1/2	10	6 5/8	9 15/16	7 1/2	N/A			
36'-5"	2 1/2	1.656	CP1152 & CP1153	648	6	3/4	18	N/A				9	5	7 1/2	7 1/2	10	6 5/8	9 15/16	7 1/2	N/A			
37'-5"	2 1/2	1.656	CP1152 & CP1153	648	6	3/4	18	N/A				8	5	7 1/2	7 1/2	9	6 5/8	9 15/16	7 1/2	N/A			
38'-5"	2 1/2	1.656	CP1152 & CP1153	648	6	3/4	18	N/A				8	5	7 1/2	7 1/2	8	6 5/8	9 15/16	7 1/2	N/A			
39'-5"	2 1/2	1.656	CP1152 & CP1153	648	6	3/4	18	N/A				8	5	7 1/2	7 1/2	7	6 5/8	9 15/16	7 1/2	N/A			
40'-5"	2 1/2	1.656	CP1152 & CP1153	648	6	3/4	18	N/A				7	5	7 1/2	7 1/2	6	6 5/8	9 15/16	7 1/2	N/A			



	24 ELMWOOD AVE 1901 S. LITCHFIELD RD MOUNTAINTOP, PA GOODYEAR, AZ		Unless otherwise specified, dimensions are in inches & tolerances are:		
	P: 800.233.8366 F: 800.526.0841 E: ADS@CORNELLIRON.COM		0.000 = +/- 0.031 FRACTIONAL = +/- 1/32 ANGLES = +/- 1/2 DEG		
TITLE: WIND LOAD CONFIGURATION NON-INSULATED ROLLING STEEL DOOR CP0020 SLAT IMPACT RATED		DRAWN BY: TJE	SIZE: B	SCALE: AS NOTED	SHEET: 13/46
		DWG NO: ES-16-60-CIW			

L'TR	REVISION	DATE	BY	E.C.O.
*	ORIGINAL ISSUE	10/15/14	TJE	1615
A	REFORMATTED TABLES; HOOD SUPPORT UPDATE	02/14/20	MAN	2027

CP0020 - 0.0236 Minimum Thickness Galvanized or Stainless Steel - 30 PSF, Cont.																																			
DBG Up To	Filled CMU									Cracked Concrete Minimum 3,000 PSI Compressive Strength															Steel (Wall anchors are the same diameter as assembly fasteners)					Superimposed Loads					
	Hilti Kwik Bolt 3				Simpson Strong-Bolt 2				Through Bolt			Hilti Kwik Bolt TZ					Simpson Strong-Bolt 2					ITW Redhead Trubolt+					Welded		Through Bolt	Tapped		Vx (+)	Vy (+)	Vx (-)	Vy (-)
	Max O.C.	Dia.	Embed	Edge Dist	Max O.C.	Dia.	Embed	Edge Dist	Max. O.C.	Dia.	Edge Dist	Max O.C.	Dia.	Embed.	Min Wall Thick.	Edge Dist	Max O.C.	Dia.	Embed.	Min Wall Thick.	Edge Dist	Max O.C.	Dia.	Embed.	Min Wall Thick.	Edge Dist	Max O.C.	Slot Size	Max O.C.	Max O.C.	Min. Thickness				
6'-5"	8	3/8	1 5/8	4 9/16	15	3/8	2 5/8	4 9/16	36	3/8	4 9/16	36	3/8	2 5/16	4	4 9/16	36	3/8	1 7/8	3 1/4	4 9/16	36	3/8	2	4	4 9/16	36	7/16 x 5/8	36	36	3/16	0	98	0	97
6'-5"	12	3/8	2 1/2	5 3/4	8	3/8	2 5/8	5 3/4	21	3/8	5 3/4	19	3/8	2 5/16	4	5 3/4	36	3/8	2 7/8	4 1/2	5 3/4	36	3/8	2	5	5 3/4	36	7/16 x 5/8	36	36	3/16	0	98	0	97
14'-5"	8	3/4	4 3/8	5 7/16	N/A				7	3/8	5 7/16	28 1/2	3/4	5 9/16	8	5 7/16	36	3/4	5 3/4	8 3/4	5 7/16	N/A					16	7/16 x 5/8	16	11	3/16	826	218	814	218
14'-5"	9	3/4	4 3/8	5 3/4	N/A				15	1/2	5 3/4	36	3/4	5 9/16	8	5 3/4	36	3/4	5 3/4	8 3/4	5 3/4	28 1/2	3/4	4 3/8	8	5 3/4	30	9/16 x 3/4	30	16	1/4	828	218	814	218
15'-5"	N/A				N/A				7	3/8	5 7/16	N/A					N/A					N/A					16	7/16 x 5/8	16	10	3/16	860	232	851	233
15'-5"	8	3/4	4 3/8	5 3/4	N/A				15	1/2	5 3/4	36	3/4	5 9/16	8	5 3/4	36	3/4	5 3/4	8 3/4	5 3/4	19	3/4	4 3/8	8	5 3/4	28	9/16 x 3/4	28	16	1/4	862	233	851	233
16'-5"	N/A				N/A				5	3/8	5 7/16	N/A					N/A					N/A					13	7/16 x 5/8	13	8	3/16	1051	248	1041	249
16'-5"	N/A				N/A				12	1/2	5 3/4	N/A					N/A					N/A					23	9/16 x 3/4	23	13	1/4	1052	248	1041	249
17'-5"	N/A				N/A				11	1/2	5 3/4	N/A					N/A					N/A					21	9/16 x 3/4	21	11	1/4	1189	264	1178	264
18'-5"	N/A				N/A				16	5/8	6 1/4	N/A					36	3/4	5 3/4	8 3/4	6 1/4	19	5/8	4 3/4	6 1/4	6 1/4	36	11/16 x 7/8	36	23	5/16	956	276	948	277
19'-5"	N/A				N/A				14	5/8	6 1/4	N/A					N/A					N/A					36	11/16 x 7/8	36	21	5/16	1063	292	1055	292
20'-5"	N/A				N/A				15	5/8	6 13/16	N/A					36	3/4	5 3/4	8 3/4	6 13/16	N/A					36	11/16 x 7/8	36	23	5/16	1170	307	1162	308
21'-5"	N/A				N/A				14	5/8	6 13/16	N/A					N/A					N/A					36	11/16 x 7/8	36	21	5/16	1278	322	1270	323
22'-5"	N/A				N/A				13	5/8	6 13/16	N/A					N/A					N/A					35	11/16 x 7/8	35	19	5/16	1386	337	1378	338
23'-5"	N/A				N/A				12	5/8	6 13/16	N/A					N/A					N/A					33	11/16 x 7/8	33	18	5/16	1495	352	1487	353
24'-5"	N/A				N/A				11	5/8	6 13/16	N/A					N/A					N/A					30	11/16 x 7/8	30	17	5/16	1606	368	1598	369
25'-5"	N/A				N/A				10	5/8	6 13/16	N/A					N/A					N/A					28	11/16 x 7/8	28	15	5/16	1717	383	1709	384
26'-5"	N/A				N/A				10	5/8	6 7/8	N/A					N/A					N/A					25	11/16 x 7/8	25	14	5/16	1830	399	1822	400
27'-5"	N/A				N/A				9	5/8	6 7/8	N/A					N/A					N/A					24	11/16 x 7/8	24	13	5/16	1944	414	1936	415
28'-5"	N/A				N/A				9	5/8	6 7/8	N/A					N/A					N/A					22	11/16 x 7/8	22	12	5/16	2060	429	2052	431
29'-5"	N/A				N/A				8	5/8	6 7/8	N/A					N/A					N/A					21	11/16 x 7/8	21	11	5/16	2177	445	2169	446
30'-5"	N/A				N/A				8	5/8	6 7/8	N/A					N/A					N/A					20	11/16 x 7/8	20	11	5/16	2296	461	2287	462
31'-5"	N/A				N/A				7	5/8	6 7/8	N/A					N/A					N/A					19	11/16 x 7/8	19	10	5/16	2416	476	2407	477
32'-5"	N/A				N/A				7	5/8	6 7/8	N/A					N/A					N/A					18	11/16 x 7/8	18	10	5/16	2538	492	2529	493
33'-5"	N/A				N/A				7	5/8	6 7/8	N/A					N/A					N/A					17	11/16 x 7/8	17	9	5/16	2661	508	2652	509
34'-5"	N/A				N/A				6	3/4	6 7/8	N/A					N/A					N/A					36	11/16 x 7/8	36	20	3/8	2313	519	2306	520
35'-5"	N/A				N/A				9	3/4	7 1/2	N/A					N/A					N/A					36	13/16 x 1	36	20	3/8	2419	535	2411	535
36'-5"	N/A				N/A				9	3/4	7 1/2	N/A					N/A					N/A					35	13/16 x 1	35	19	3/8	2526	550	2518	551
37'-5"	N/A				N/A				8	3/4	7 1/2	N/A					N/A					N/A					33	13/16 x 1	33	18	3/8	2635	566	2626	566
38'-5"	N/A				N/A				8	3/4	7 1/2	N/A					N/A					N/A					32	13/16 x 1	32	17	3/8	2744	582	2736	582
39'-5"	N/A				N/A				8	3/4	7 1/2	N/A					N/A					N/A					31	13/16 x 1	31	17	3/8	2855	597	2847	598
40'-5"	N/A				N/A				7	3/4	7 1/2	N/A					N/A					N/A					30	13/16 x 1	30	16	3/8	2967	613	2959	613



	24 ELMWOOD AVE 1901 S. LITCHFIELD RD MOUNTAINTOP, PA GOODYEAR, AZ	Unless otherwise specified, dimensions are in inches & tolerances are: 0.000 = +/- 0.031 FRACTIONAL = +/- 1/32 ANGLES = +/- 1/2 DEG
	P: 800.233.8366 F: 800.526.0841 E: ADS@CORNELLIRON.COM	
TITLE: WIND LOAD CONFIGURATION NON-INSULATED ROLLING STEEL DOOR CP0020 SLAT IMPACT RATED	DRAWN BY: TJE DWG NO: ES-16-60-CIW	SIZE: B SCALE: AS NOTED SHEET: 14/46

L'TR	REVISION	DATE	BY	E.C.O.
*	ORIGINAL ISSUE	10/15/14	TJE	1615
A	REFORMATTED TABLES; HOOD SUPPORT UPDATE	02/14/20	MAN	2027

CP0020 - 0.0236 Minimum Thickness Galvanized or Stainless Steel - 40 PSF																							
Concrete Minimum 3,000 PSI Compressive Strength (Anchors are the same diameter as assembly fasteners)																							
DBG Up To	Windlock Flat Location	Slip	Windlock	Guide Assembly	Windlock Weld Pitch	Assembly Fastener Diameter	Assembly Fastener Spacing	Hilti Kwik Bolt 3				Simpson Wedge All				Red Head Tru-Bolt				Powers Wedge-Bolt			
								Max O.C.	Embed	Min. Wall Thick.	Edge Dist	Max O.C.	Embed	Min. Wall Thick.	Edge Dist	Max O.C.	Embed	Min. Wall Thick.	Edge Dist	Max O.C.	Embed	Min. Wall Thick.	Edge Dist
5'-5"	N/A	N/A	N/A	333*	N/A	3/8	24	36	2 3/8	4	4 9/16	33	2 5/8	3 15/16	4 9/16	34	3	4 1/2	4 9/16	26	2	3	4 9/16
5'-5"	N/A	N/A	N/A	344*	N/A	3/8	24	36	2 3/8	4	5 3/4	19	2 5/8	3 15/16	5 3/4	19	3	4 1/2	5 3/4	15	2	3	5 3/4
14'-5"	1 1/2	0.656	CP1152 & CP1153	DC1	8	1/2	12	8	3 1/2	5 1/4	5 3/4	8	4 1/2	6 3/4	5 3/4	N/A				N/A			
15'-5"	1 1/2	0.656	CP1152	445	9	5/8	18	36	4 3/8	8	6 13/16	14	4 1/2	6 3/4	6 13/16	13	7 1/2	11 1/4	6 13/16	9	4	6	6 13/16
16'-5"	1 5/8	0.781	CP1152	445	9	5/8	18	36	4 3/8	8	6 13/16	14	4 1/2	6 3/4	6 13/16	12	7 1/2	11 1/4	6 13/16	9	4	6	6 13/16
17'-5"	1 7/8	1.031	CP1152	445	9	5/8	18	36	4 3/8	8	6 13/16	14	4 1/2	6 3/4	6 13/16	13	7 1/2	11 1/4	6 13/16	9	4	6	6 13/16
18'-5"	2	1.156	CP1152	445	9	5/8	18	36	4 3/8	8	6 13/16	13	4 1/2	6 3/4	6 13/16	12	7 1/2	11 1/4	6 13/16	8	4	6	6 13/16
19'-5"	2	1.156	CP1152	445	8	5/8	18	28	4 3/8	8	6 13/16	12	4 1/2	6 3/4	6 13/16	11	7 1/2	11 1/4	6 13/16	8	4	6	6 13/16
20'-5"	2	1.156	CP1152 & CP1153	445	8	5/8	18	N/A				11	4 1/2	6 3/4	6 13/16	N/A				7	4	6	6 13/16
21'-5"	2	1.156	CP1152 & CP1153	546	7	5/8	18	N/A				10	4 1/2	6 3/4	6 7/8	N/A				9	5	7 1/2	6 7/8
22'-5"	2	1.156	CP1152 & CP1153	546	7	5/8	18	N/A				10	4 1/2	6 3/4	6 7/8	N/A				8	5	7 1/2	6 7/8
23'-5"	2	1.156	CP1152 & CP1153	546	7	5/8	18	N/A				9	4 1/2	6 3/4	6 7/8	N/A				8	5	7 1/2	6 7/8
24'-5"	2	1.156	CP1152 & CP1153	546	7	5/8	17	N/A				8	4 1/2	6 3/4	6 7/8	N/A				7	5	7 1/2	6 7/8
25'-5"	2	1.156	CP1152 & CP1153	546	6	5/8	16	N/A				8	4 1/2	6 3/4	6 7/8	N/A				N/A			
26'-5"	2	1.156	CP1152 & CP1153	546	6	5/8	15	N/A				7	4 1/2	6 3/4	6 7/8	N/A				N/A			
27'-5"	2	1.156	CP1152 & CP1153	546	6	5/8	14	N/A				7	4 1/2	6 3/4	6 7/8	N/A				N/A			
28'-5"	2	1.156	CP1152 & CP1153	648	6	3/4	18	N/A				6	4 1/2	6 3/4	6 7/8	N/A				N/A			
29'-5"	2 1/2	1.656	CP1152 & CP1153	648	6	3/4	18	N/A				9	5	7 1/2	7 1/2	10	6 5/8	9 15/16	7 1/2	N/A			
30'-5"	2 1/2	1.656	CP1152 & CP1153	648	6	3/4	18	N/A				9	5	7 1/2	7 1/2	10	6 5/8	9 15/16	7 1/2	N/A			
31'-5"	2 1/2	1.656	CP1152 & CP1153	648	6	3/4	18	N/A				8	5	7 1/2	7 1/2	8	6 5/8	9 15/16	7 1/2	N/A			
32'-5"	2 1/2	1.656	CP1152 & CP1153	648	6	3/4	18	N/A				8	5	7 1/2	7 1/2	7	6 5/8	9 15/16	7 1/2	N/A			
33'-5"	2 1/2	1.656	CP1152 & CP1153	648	6	3/4	17	N/A				7	5	7 1/2	7 1/2	5	6 5/8	9 15/16	7 1/2	N/A			
34'-5"	2 1/2	1.656	CP1152 & CP1153	648	5	3/4	17	N/A				7	5	7 1/2	7 1/2	N/A				N/A			



	24 ELMWOOD AVE 1901 S. LITCHFIELD RD MOUNTAINTOP, PA GOODYEAR, AZ	Unless otherwise specified, dimensions are in inches & tolerances are: 0.000 = +/- 0.031 FRACTIONAL = +/- 1/32 ANGLES = +/- 1/2 DEG
	P: 800.233.8366 F: 800.526.0841 E: ADS@CORNELLIRON.COM	TITLE: WIND LOAD CONFIGURATION NON-INSULATED ROLLING STEEL DOOR CP0020 SLAT IMPACT RATED

L'TR	REVISION	DATE	BY	E.C.O.
*	ORIGINAL ISSUE	10/15/14	TJE	1615
A	REFORMATTED TABLES; HOOD SUPPORT UPDATE	02/14/20	MAN	2027

CP0020 - 0.0236 Minimum Thickness Galvanized or Stainless Steel - 40 PSF, Cont.																					
DBG Up To	Filled CMU												Steel (Wall anchors are the same diameter as assembly fasteners)					Superimposed Loads			
	Hilti Kwik Bolt 3				Simpson Strong-Bolt 2				Through Bolt				Welded		Through Bolt	Tapped		Vx (+)	Vy (+)	Vx (-)	Vy (-)
	Max O.C.	Dia.	Embed	Edge Dist	Max O.C.	Dia.	Embed	Edge Dist	Max. O.C.	Dia.	Edge Dist	Max O.C.	Slot Size	Max O.C.	Max O.C.	Min. Thickness					
5'-5"	19	3/8	2 1/2	4 9/16	13	3/8	2 5/8	4 9/16	33	3/8	4 9/16	36	7/16 x 5/8	36	36	3/16	0	110	0	109	
5'-5"	10	3/8	2 1/2	5 3/4	9	1/2	3 1/2	5 3/4	19	3/8	5 3/4	36	7/16 x 5/8	36	36	3/16	0	110	0	109	
14'-5"		N/A				N/A			8	1/2	5 3/4	12	9/16 x 3/4	12	12	1/4	1117	290	1103	291	
15'-5"		N/A				N/A			14	5/8	6 13/16	36	11/16 x 7/8	36	21	5/16	1300	310	1284	312	
16'-5"		N/A				N/A			14	5/8	6 13/16	36	11/16 x 7/8	36	20	5/16	1333	330	1318	331	
17'-5"		N/A				N/A			14	5/8	6 13/16	36	11/16 x 7/8	36	21	5/16	1273	349	1262	350	
18'-5"		N/A				N/A			13	5/8	6 13/16	36	11/16 x 7/8	36	20	5/16	1327	369	1317	370	
19'-5"		N/A				N/A			12	5/8	6 13/16	33	11/16 x 7/8	33	18	5/16	1464	389	1454	390	
20'-5"		N/A				N/A			11	5/8	6 13/16	30	11/16 x 7/8	30	17	5/16	1603	409	1592	411	
21'-5"		N/A				N/A			10	5/8	6 7/8	26	11/16 x 7/8	26	14	5/16	1742	430	1732	431	
22'-5"		N/A				N/A			10	5/8	6 7/8	24	11/16 x 7/8	24	13	5/16	1883	450	1873	452	
23'-5"		N/A				N/A			9	5/8	6 7/8	23	11/16 x 7/8	23	12	5/16	2026	471	2016	472	
24'-5"		N/A				N/A			8	5/8	6 7/8	21	11/16 x 7/8	21	11	5/16	2171	491	2160	493	
25'-5"		N/A				N/A			8	5/8	6 7/8	20	11/16 x 7/8	20	11	5/16	2317	512	2306	513	
26'-5"		N/A				N/A			7	5/8	6 7/8	19	11/16 x 7/8	19	10	5/16	2465	533	2455	534	
27'-5"		N/A				N/A			7	5/8	6 7/8	17	11/16 x 7/8	17	9	5/16	2616	553	2605	555	
28'-5"		N/A				N/A			6	3/4	6 7/8	36	11/16 x 7/8	36	21	3/8	2294	570	2285	571	
29'-5"		N/A				N/A			9	3/4	7 1/2	36	13/16 x 1	36	19	3/8	2424	591	2414	592	
30'-5"		N/A				N/A			9	3/4	7 1/2	34	13/16 x 1	34	18	3/8	2556	612	2546	612	
31'-5"		N/A				N/A			8	3/4	7 1/2	33	13/16 x 1	33	18	3/8	2689	632	2679	633	
32'-5"		N/A				N/A			8	3/4	7 1/2	31	13/16 x 1	31	17	3/8	2824	653	2814	654	
33'-5"		N/A				N/A			7	3/4	7 1/2	30	13/16 x 1	30	16	3/8	2960	674	2950	674	
34'-5"		N/A				N/A			7	3/4	7 1/2	28	13/16 x 1	28	15	3/8	3099	694	3089	695	



	24 ELMWOOD AVE 1901 S. LITCHFIELD RD MOUNTAINTOP, PA GOODYEAR, AZ	Unless otherwise specified, dimensions are in inches & tolerances are: 0.000 = +/- 0.031 FRACTIONAL = +/- 1/32 ANGLES = +/- 1/2 DEG
	P: 800.233.8366 F: 800.526.0841 E: ADS@CORNELLIRON.COM	TITLE: WIND LOAD CONFIGURATION NON-INSULATED ROLLING STEEL DOOR CP0020 SLAT IMPACT RATED

L'TR	REVISION	DATE	BY	E.C.O.
*	ORIGINAL ISSUE	10/15/14	TJE	1615
A	REFORMATTED TABLES; HOOD SUPPORT UPDATE	02/14/20	MAN	2027

CP0020 - 0.0236 Minimum Thickness Galvanized or Stainless Steel - 50 PSF																							
Concrete Minimum 3,000 PSI Compressive Strength (Anchors are the same diameter as assembly fasteners)																							
DBG Up To	Windlock Flat Location	Slip	Windlock	Guide Assembly	Windlock Weld Pitch	Assembly Fastener Diameter	Assembly Fastener Spacing	Hilti Kwik Bolt 3				Simpson Wedge All				Red Head Tru-Bolt				Powers Wedge-Bolt			
								Max O.C.	Embed	Min. Wall Thick.	Edge Dist	Max O.C.	Embed	Min. Wall Thick.	Edge Dist	Max O.C.	Embed	Min. Wall Thick.	Edge Dist	Max O.C.	Embed	Min. Wall Thick.	Edge Dist
5'-5"	N/A	N/A	N/A	333*	N/A	3/8	24	36	2 3/8	4	4 9/16	26	2 5/8	3 15/16	4 9/16	27	3	4 1/2	4 9/16	21	2	3	4 9/16
5'-5"	N/A	N/A	N/A	344*	N/A	3/8	24	36	2 3/8	4	5 3/4	15	2 5/8	3 15/16	5 3/4	15	3	4 1/2	5 3/4	30	3 1/2	0	5 3/4
14'-5"	1 1/2	0.656	CP1152 & CP1153	DC1	8	1/2	12	8	3 1/2	5 1/4	5 3/4	8	4 1/2	6 3/4	5 3/4	N/A				N/A			
15'-5"	1 1/2	0.656	CP1152 & CP1153	445	8	5/8	18	N/A				11	4 1/2	6 3/4	6 13/16	N/A				N/A			
16'-5"	1 5/8	0.781	CP1152 & CP1153	445	7	5/8	18	N/A				11	4 1/2	6 3/4	6 13/16	N/A				N/A			
17'-5"	1 7/8	1.031	CP1152 & CP1153	445	8	5/8	18	N/A				11	4 1/2	6 3/4	6 13/16	N/A				N/A			
18'-5"	2	1.156	CP1152 & CP1153	546	8	5/8	18	N/A				11	4 1/2	6 3/4	6 7/8	N/A				N/A			
19'-5"	2	1.156	CP1152 & CP1153	546	7	5/8	18	N/A				10	4 1/2	6 3/4	6 7/8	N/A				N/A			
20'-5"	2	1.156	CP1152 & CP1153	546	7	5/8	17	N/A				9	4 1/2	6 3/4	6 7/8	N/A				N/A			
21'-5"	2	1.156	CP1152 & CP1153	546	7	5/8	16	N/A				8	4 1/2	6 3/4	6 7/8	N/A				N/A			
22'-5"	2	1.156	CP1152 & CP1153	546	6	5/8	15	N/A				7	4 1/2	6 3/4	6 7/8	N/A				N/A			
23'-5"	2	1.156	CP1152 & CP1153	546	6	5/8	14	N/A				7	4 1/2	6 3/4	6 7/8	N/A				N/A			
24'-5"	2	1.156	CP1152 & CP1153	648	6	3/4	18	N/A				6	4 1/2	6 3/4	6 7/8	N/A				N/A			
25'-5"	2 1/2	1.656	CP1152 & CP1153	648	6	3/4	18	N/A				9	5	7 1/2	7 1/2	10	6 5/8	9 15/16	7 1/2	N/A			
26'-5"	2 1/2	1.656	CP1152 & CP1153	648	6	3/4	18	N/A				8	5	7 1/2	7 1/2	9	6 5/8	9 15/16	7 1/2	N/A			
27'-5"	2 1/2	1.656	CP1152 & CP1153	648	6	3/4	18	N/A				8	5	7 1/2	7 1/2	7	6 5/8	9 15/16	7 1/2	N/A			
28'-5"	2 1/2	1.656	CP1152 & CP1153	648	6	3/4	18	N/A				7	5	7 1/2	7 1/2	6	6 5/8	9 15/16	7 1/2	N/A			
29'-5"	2 1/2	1.656	CP1152 & CP1153	648	5	3/4	17	N/A				7	5	7 1/2	7 1/2	N/A				N/A			



	24 ELMWOOD AVE 1901 S. LITCHFIELD RD MOUNTAINTOP, PA GOODYEAR, AZ	Unless otherwise specified, dimensions are in inches & tolerances are: 0.000 = +/- 0.031 FRACTIONAL = +/- 1/32 ANGLES = +/- 1/2 DEG
	P: 800.233.8366 F: 800.526.0841 E: ADS@CORNELLIRON.COM	
TITLE: WIND LOAD CONFIGURATION NON-INSULATED ROLLING STEEL DOOR CP0020 SLAT IMPACT RATED	DRAWN BY: TJE SIZE: B SCALE: AS NOTED SHEET: 17/46	DWG NO: ES-16-60-CIW

L'TR	REVISION	DATE	BY	E.C.O.
*	ORIGINAL ISSUE	10/15/14	TJE	1615
A	REFORMATTED TABLES; HOOD SUPPORT UPDATE	02/14/20	MAN	2027

CP0020 - 0.0236 Minimum Thickness Galvanized or Stainless Steel - 50 PSF, Cont.																					
DBG Up To	Filled CMU												Steel (Wall anchors are the same diameter as assembly fasteners)					Superimposed Loads			
	Hilti Kwik Bolt 3				Simpson Strong-Bolt 2				Through Bolt				Welded		Through Bolt	Tapped		Vx (+)	Vy (+)	Vx (-)	Vy (-)
	Max O.C.	Dia.	Embed	Edge Dist	Max O.C.	Dia.	Embed	Edge Dist	Max O.C.	Dia.	Edge Dist	Max O.C.	Slot Size	Max O.C.	Max O.C.	Min. Thickness					
5'-5"	15	3/8	2 1/2	4 9/16	10	3/8	2 5/8	4 9/16	26	3/8	4 9/16	36	7/16 x 5/8	36	36	3/16	0	137	0	136	
5'-5"	8	3/8	2 1/2	5 3/4	14	3/4	5 1/4	5 3/4	15	3/8	5 3/4	36	7/16 x 5/8	36	36	3/16	0	138	0	136	
14'-5"	N/A				N/A				8	1/2	5 3/4	12	9/16 x 3/4	12	12	1/4	1461	363	1443	364	
15'-5"	N/A				N/A				11	5/8	6 13/16	29	11/16 x 7/8	29	16	5/16	1682	389	1662	390	
16'-5"	N/A				N/A				11	5/8	6 13/16	28	11/16 x 7/8	28	15	5/16	1716	413	1698	415	
17'-5"	N/A				N/A				11	5/8	6 13/16	30	11/16 x 7/8	30	16	5/16	1635	437	1621	438	
18'-5"	N/A				N/A				11	5/8	6 7/8	27	11/16 x 7/8	27	15	5/16	1698	461	1685	463	
19'-5"	N/A				N/A				10	5/8	6 7/8	25	11/16 x 7/8	25	13	5/16	1865	487	1853	488	
20'-5"	N/A				N/A				9	5/8	6 7/8	23	11/16 x 7/8	23	12	5/16	2035	512	2023	514	
21'-5"	N/A				N/A				8	5/8	6 7/8	21	11/16 x 7/8	21	11	5/16	2207	538	2194	540	
22'-5"	N/A				N/A				7	5/8	6 7/8	19	11/16 x 7/8	19	10	5/16	2380	564	2368	565	
23'-5"	N/A				N/A				7	5/8	6 7/8	18	11/16 x 7/8	18	10	5/16	2557	589	2544	591	
24'-5"	N/A				N/A				6	3/4	6 7/8	36	11/16 x 7/8	36	21	3/8	2262	612	2250	612	
25'-5"	N/A				N/A				9	3/4	7 1/2	36	13/16 x 1	36	19	3/8	2414	637	2402	638	
26'-5"	N/A				N/A				8	3/4	7 1/2	34	13/16 x 1	34	18	3/8	2569	663	2557	664	
27'-5"	N/A				N/A				8	3/4	7 1/2	32	13/16 x 1	32	17	3/8	2725	688	2713	689	
28'-5"	N/A				N/A				7	3/4	7 1/2	30	13/16 x 1	30	16	3/8	2884	714	2872	715	
29'-5"	N/A				N/A				7	3/4	7 1/2	29	13/16 x 1	29	15	3/8	3045	740	3033	741	

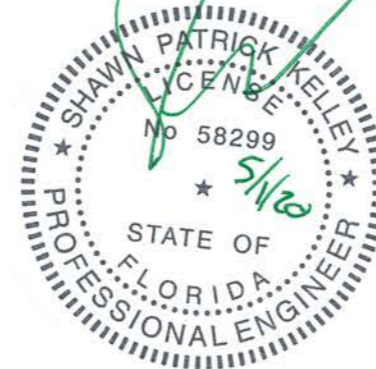


	24 ELMWOOD AVE 1901 S. LITCHFIELD RD MOUNTAINTOP, PA GOODYEAR, AZ	Unless otherwise specified, dimensions are in inches & tolerances are: 0.000 = +/- 0.031 FRACTIONAL = +/- 1/32 ANGLES = +/- 1/2 DEG
	P: 800.233.8366 F: 800.526.0841 E: ADS@CORNELLIRON.COM	TITLE: WIND LOAD CONFIGURATION NON-INSULATED ROLLING STEEL DOOR CP0020 SLAT IMPACT RATED

L'TR	REVISION	DATE	BY	E.C.O.
*	ORIGINAL ISSUE	10/15/14	TJE	1615
A	REFORMATTED TABLES; HOOD SUPPORT UPDATE	02/14/20	MAN	2027

CP0020 - 0.0236 Minimum Thickness Galvanized or Stainless Steel - 60 PSF																							
Concrete Minimum 3,000 PSI Compressive Strength (Anchors are the same diameter as assembly fasteners)																							
DBG Up To	Windlock Flat Location	Slip	Windlock	Guide Assembly	Windlock Weld Pitch	Assembly Fastener Diameter	Assembly Fastener Spacing	Hilti Kwik Bolt 3				Simpson Wedge All				Red Head Tru-Bolt				Powers Wedge-Bolt			
								Max O.C.	Embed	Min. Wall Thick.	Edge Dist	Max O.C.	Embed	Min. Wall Thick.	Edge Dist	Max O.C.	Embed	Min. Wall Thick.	Edge Dist	Max O.C.	Embed	Min. Wall Thick.	Edge Dist
4'-5"	N/A	N/A	N/A	333*	N/A	3/8	24	36	2 3/8	4	4 9/16	27	2 5/8	3 15/16	4 9/16	28	3	4 1/2	4 9/16	21	2	3	4 9/16
4'-5"	N/A	N/A	N/A	344*	N/A	3/8	24	36	2 3/8	4	5 3/4	15	2 5/8	3 15/16	5 3/4	16	3	4 1/2	5 3/4	31	3 1/2	5 1/4	5 3/4
14'-5"	1 1/2	0.656	CP1152 & CP1153	DC1	8	1/2	12	8	3 1/2	5 1/4	5 3/4	8	4 1/2	6 3/4	5 3/4	N/A				N/A			
15'-5"	1 1/2	0.656	CP1152 & CP1153	546	7	5/8	18	N/A				9	4 1/2	6 3/4	6 7/8	N/A				8	2 1/2	3 3/4	6 7/8
16'-5"	1 5/8	0.781	CP1152 & CP1153	546	7	5/8	18	N/A				9	4 1/2	6 3/4	6 7/8	N/A				7	2 1/2	3 3/4	6 7/8
17'-5"	1 7/8	1.031	CP1152 & CP1153	546	7	5/8	18	N/A				9	4 1/2	6 3/4	6 7/8	N/A				8	2 1/2	3 3/4	6 7/8
18'-5"	2	1.156	CP1152 & CP1153	546	7	5/8	17	N/A				9	4 1/2	6 3/4	6 7/8	N/A				7	2 1/2	3 3/4	6 7/8
19'-5"	2	1.156	CP1152 & CP1153	546	6	5/8	16	N/A				8	4 1/2	6 3/4	6 7/8	N/A				N/A			
20'-5"	2	1.156	CP1152 & CP1153	546	6	5/8	14	N/A				7	4 1/2	6 3/4	6 7/8	N/A				N/A			
21'-5"	2	1.156	CP1152 & CP1153	648	7	3/4	18	N/A				7	4 1/2	6 3/4	6 7/8	N/A				N/A			
22'-5"	2 1/2	1.656	CP1152 & CP1153	648	6	3/4	18	N/A				9	5	7 1/2	7 1/2	10	6 5/8	9 15/16	7 1/2	N/A			
23'-5"	2 1/2	1.656	CP1152 & CP1153	648	6	3/4	18	N/A				8	5	7 1/2	7 1/2	9	6 5/8	9 15/16	7 1/2	N/A			
24'-5"	2 1/2	1.656	CP1152 & CP1153	648	6	3/4	18	N/A				8	5	7 1/2	7 1/2	7	6 5/8	9 15/16	7 1/2	N/A			
25'-5"	2 1/2	1.656	CP1152 & CP1153	648	6	3/4	17	N/A				7	5	7 1/2	7 1/2	5	6 5/8	9 15/16	7 1/2	N/A			
26'-5"	2 1/2	1.656	CP1152 & CP1153	648	5	3/4	16	N/A				7	5	7 1/2	7 1/2	N/A				N/A			

CP0020 - 0.0236 Minimum Thickness Galvanized or Stainless Steel - 60 PSF, Cont.																					
DBG Up To	Filled CMU											Steel (Wall anchors are the same diameter as assembly fasteners)						Superimposed Loads			
	Hilti Kwik Bolt 3				Simpson Strong-Bolt 2				Through Bolt			Welded		Through Bolt	Tapped		Vx (+)	Vy (+)	Vx (-)	Vy (-)	
	Max O.C.	Dia.	Embed	Edge Dist	Max O.C.	Dia.	Embed	Edge Dist	Max O.C.	Dia.	Edge Dist	Max O.C.	Slot Size	Max O.C.	Min. Thickness						
4'-5"	15	3/8	1 5/8	4 9/16	10	3/8	2 5/8	4 9/16	27	3/8	4 9/16	36	7/16 x 5/8	36	36	3/16	0	135	0	133	
4'-5"	8	3/8	2 1/2	5 3/4	14	3/4	5 1/4	5 3/4	15	3/8	5 3/4	36	7/16 x 5/8	36	36	3/16	0	135	0	133	
14'-5"	N/A				N/A				8	1/2	5 3/4	12	9/16 x 3/4	12	12	1/4	1804	437	1784	437	
15'-5"	N/A				N/A				9	5/8	6 7/8	22	11/16 x 7/8	22	12	5/16	2064	467	2040	469	
16'-5"	N/A				N/A				9	5/8	6 7/8	22	11/16 x 7/8	22	12	5/16	2099	496	2078	498	
17'-5"	N/A				N/A				9	5/8	6 7/8	23	11/16 x 7/8	23	13	5/16	1997	524	1981	526	
18'-5"	N/A				N/A				9	5/8	6 7/8	22	11/16 x 7/8	22	12	5/16	2068	554	2054	556	
19'-5"	N/A				N/A				8	5/8	6 7/8	20	11/16 x 7/8	20	11	5/16	2267	585	2252	587	
20'-5"	N/A				N/A				7	5/8	6 7/8	19	11/16 x 7/8	19	10	5/16	2468	615	2453	617	
21'-5"	N/A				N/A				7	3/4	6 7/8	36	11/16 x 7/8	36	21	3/8	2203	643	2189	644	
22'-5"	N/A				N/A				9	3/4	7 1/2	36	13/16 x 1	36	20	3/8	2377	673	2363	674	
23'-5"	N/A				N/A				8	3/4	7 1/2	34	13/16 x 1	34	18	3/8	2553	704	2539	705	
24'-5"	N/A				N/A				8	3/4	7 1/2	32	13/16 x 1	32	17	3/8	2732	735	2718	736	
25'-5"	N/A				N/A				7	3/4	7 1/2	30	13/16 x 1	30	16	3/8	2913	766	2899	766	
26'-5"	N/A				N/A				7	3/4	7 1/2	28	13/16 x 1	28	15	3/8	3097	796	3083	797	



	24 ELMWOOD AVE 1901 S. LITCHFIELD RD MOUNTAINTOP, PA GOODYEAR, AZ	Unless otherwise specified, dimensions are in inches & tolerances are: 0.000 = +/- 0.031 FRACTIONAL = +/- 1/32 ANGLES = +/- 1/2 DEG
	P: 800.233.8366 F: 800.526.0841 E: ADS@CORNELLIRON.COM	TITLE: WIND LOAD CONFIGURATION NON-INSULATED ROLLING STEEL DOOR CP0020 SLAT IMPACT RATED
	SIZE: B SCALE: AS NOTED SHEET: 19/46	

L'TR	REVISION	DATE	BY	E.C.O.
*	ORIGINAL ISSUE	10/15/14	TJE	1615
A	REFORMATTED TABLES; HOOD SUPPORT UPDATE	02/14/20	MAN	2027

CP0020 - 0.0236 Minimum Thickness Galvanized or Stainless Steel - 65 PSF																							
Concrete Minimum 3,000 PSI Compressive Strength (Anchors are the same diameter as assembly fasteners)																							
DBG Up To	Windlock Flat Location	Slip	Windlock	Guide Assembly	Windlock Weld Pitch	Assembly Fastener Diameter	Assembly Fastener Spacing	Hilti Kwik Bolt 3				Simpson Wedge All				Red Head Tru-Bolt				Powers Wedge-Bolt			
								Max O.C.	Embed	Min. Wall Thick.	Edge Dist	Max O.C.	Embed	Min. Wall Thick.	Edge Dist	Max O.C.	Embed	Min. Wall Thick.	Edge Dist	Max O.C.	Embed	Min. Wall Thick.	Edge Dist
4'-5"	N/A	N/A	N/A	333*	N/A	3/8	24	36	2 3/8	4	4 9/16	25	2 5/8	3 15/16	4 9/16	26	3	4 1/2	4 9/16	20	2	3	4 9/16
4'-5"	N/A	N/A	N/A	344*	N/A	3/8	24	36	2 3/8	4	5 3/4	14	2 5/8	3 15/16	5 3/4	14	3	4 1/2	5 3/4	28	3 1/2	5 1/4	5 3/4
14'-5"	1 1/2	0.656	CP1152 & CP1153	DC1	8	1/2	12	8	3 1/2	5 1/4	5 3/4	8	4 1/2	6 3/4	5 3/4	N/A				N/A			
15'-5"	1 1/2	0.656	CP1152 & CP1153	546	6	5/8	17	N/A				8	4 1/2	6 3/4	6 7/8	N/A				N/A			
16'-5"	1 5/8	0.781	CP1152 & CP1153	546	6	5/8	16	N/A				8	4 1/2	6 3/4	6 7/8	N/A				N/A			
17'-5"	1 3/4	0.906	CP1152 & CP1153	546	6	5/8	16	N/A				8	4 1/2	6 3/4	6 7/8	N/A				N/A			
18'-5"	2	1.156	CP1152 & CP1153	546	6	5/8	16	N/A				8	4 1/2	6 3/4	6 7/8	N/A				N/A			
19'-5"	2	1.156	CP1152 & CP1153	546	6	5/8	14	N/A				7	4 1/2	6 3/4	6 7/8	N/A				N/A			
20'-5"	2 3/8	1.531	CP1152 & CP1153	648	6	3/4	18	N/A				9	5	7 1/2	7 1/2	N/A				N/A			
21'-5"	2 1/2	1.656	CP1152 & CP1153	648	6	3/4	18	N/A				9	5	7 1/2	7 1/2	N/A				N/A			
22'-5"	2 1/2	1.656	CP1152 & CP1153	648	6	3/4	18	N/A				8	5	7 1/2	7 1/2	N/A				N/A			
23'-5"	2 1/2	1.656	CP1152 & CP1153	648	6	3/4	18	N/A				8	5	7 1/2	7 1/2	N/A				N/A			
24'-5"	2 1/2	1.656	CP1152 & CP1153	648	6	3/4	17	N/A				7	5	7 1/2	7 1/2	N/A				N/A			

CP0020 - 0.0236 Minimum Thickness Galvanized or Stainless Steel - 65 PSF, Cont.																						
DBG Up To	Filled CMU												Steel (Wall anchors are the same diameter as assembly fasteners)						Superimposed Loads			
	Hilti Kwik Bolt 3				Simpson Strong-Bolt 2				Through Bolt				Welded		Through Bolt	Tapped		Superimposed Loads				
	Max O.C.	Dia.	Embed	Edge Dist	Max O.C.	Dia.	Embed	Edge Dist	Max O.C.	Dia.	Edge Dist	Max O.C.	Slot Size	Max O.C.	Max O.C.	Min. Thickness	Vx (+)	Vy (+)	Vx (-)	Vy (-)		
4'-5"	14	3/8	1 5/8	4 9/16	10	3/8	2 5/8	4 9/16	25	3/8	4 9/16	36	7/16 x 5/8	36	36	3/16	0	146	0	144		
4'-5"	8	3/8	2 1/2	5 3/4	13	3/4	5 1/4	5 3/4	14	3/8	5 3/4	36	7/16 x 5/8	36	36	3/16	0	147	0	144		
14'-5"	N/A				N/A				8	1/2	5 3/4	12	9/16 x 3/4	12	12	1/4	1976	473	1955	474		
15'-5"	N/A				N/A				8	5/8	6 7/8	20	11/16 x 7/8	20	11	5/16	2255	506	2229	508		
16'-5"	N/A				N/A				8	5/8	6 7/8	20	11/16 x 7/8	20	11	5/16	2291	538	2268	540		
17'-5"	N/A				N/A				8	5/8	6 7/8	20	11/16 x 7/8	20	11	5/16	2341	570	2321	572		
18'-5"	N/A				N/A				8	5/8	6 7/8	20	11/16 x 7/8	20	11	5/16	2254	600	2238	602		
19'-5"	N/A				N/A				7	5/8	6 7/8	19	11/16 x 7/8	19	10	5/16	2467	634	2452	636		
20'-5"	N/A				N/A				9	3/4	7 1/2	36	13/16 x 1	36	20	3/8	2309	665	2293	665		
21'-5"	N/A				N/A				9	3/4	7 1/2	36	13/16 x 1	36	19	3/8	2396	697	2382	697		
22'-5"	N/A				N/A				8	3/4	7 1/2	34	13/16 x 1	34	18	3/8	2583	730	2569	731		
23'-5"	N/A				N/A				8	3/4	7 1/2	31	13/16 x 1	31	17	3/8	2774	763	2759	764		
24'-5"	N/A				N/A				7	3/4	7 1/2	29	13/16 x 1	29	16	3/8	2967	796	2952	797		



	24 ELMWOOD AVE 1901 S. LITCHFIELD RD MOUNTAINTOP, PA GOODYEAR, AZ	Unless otherwise specified, dimensions are in inches & tolerances are: 0.000 = +/- 0.031 FRACTIONAL = +/- 1/32 ANGLES = +/- 1/2 DEG
	P: 800.233.8366 F: 800.526.0841 E: ADS@CORNELLIRON.COM	TITLE: WIND LOAD CONFIGURATION NON-INSULATED ROLLING STEEL DOOR CP0020 SLAT IMPACT RATED

L'TR	REVISION	DATE	BY	E.C.O.
*	ORIGINAL ISSUE	10/15/14	TJE	1615
A	REFORMATTED TABLES; HOOD SUPPORT UPDATE	02/14/20	MAN	2027

CP0020 - 0.0296 Minimum Thickness Galvanized or Stainless Steel - 20 PSF																							
Concrete Minimum 3,000 PSI Compressive Strength (Anchors are the same diameter as assembly fasteners)																							
DBG Up To	Windlock Flat Location	Slip	Windlock	Guide Assembly	Windlock Weld Pitch	Assembly Fastener Diameter	Assembly Fastener Spacing	Hilti Kwik Bolt 3				Simpson Wedge All				Red Head Tru-Bolt				Powers Wedge-Bolt			
								Max O.C.	Embed	Min. Wall Thick.	Edge Dist	Max O.C.	Embed	Min. Wall Thick.	Edge Dist	Max O.C.	Embed	Min. Wall Thick.	Edge Dist	Max O.C.	Embed	Min. Wall Thick.	Edge Dist
9'-5"	N/A	N/A	N/A	333*	N/A	3/8	24	36	2 3/8	4	4 9/16	36	2 5/8	3 15/16	4 9/16	36	3	4 1/2	4 9/16	30	2	3	4 9/16
9'-5"	N/A	N/A	N/A	344*	N/A	3/8	24	36	2 3/8	4	5 3/4	22	2 5/8	3 15/16	5 3/4	22	3	4 1/2	5 3/4	36	3 1/2	5 1/4	5 3/4
13'-5"	1 5/16	0.532	CP1151	333	12	3/8	18	36	2 3/8	4	5 3/16	16	2 5/8	3 15/16	5 3/16	16	3	4 1/2	5 3/16	20	3 1/2	5 1/4	5 3/16
13'-5"	1 5/16	0.532	CP1151	344	12	1/2	18	36	2 1/4	4	5 3/4	36	4 1/2	6 3/4	5 3/4	30	4 1/8	6 3/16	5 3/4	25	3 1/2	5 1/4	5 3/4
14'-5"	1 7/16	0.657	CP1151	333	12	3/8	18	36	2 3/8	4	5 3/16	14	2 5/8	3 15/16	5 3/16	14	3	4 1/2	5 3/16	18	3 1/2	5 1/4	5 3/16
14'-5"	1 7/16	0.657	CP1151	344	12	1/2	18	36	2 1/4	4	5 3/4	33	4 1/2	6 3/4	5 3/4	26	4 1/8	6 3/16	5 3/4	22	3 1/2	5 1/4	5 3/4
15'-5"	1 1/2	0.719	CP1151	333	12	3/8	18	22	2 3/8	5	5 3/16	11	2 5/8	3 15/16	5 3/16	11	3	4 1/2	5 3/16	7	2	3	5 3/16
15'-5"	1 1/2	0.719	CP1151	344	12	1/2	18	22	2 1/4	4	5 3/4	27	4 1/2	6 3/4	5 3/4	22	4 1/8	6 3/16	5 3/4	12	2 1/2	3 3/4	5 3/4
16'-5"	1 1/2	0.719	CP1151	333	12	3/8	18	N/A				9	2 5/8	3 15/16	5 3/16	9	3	4 1/2	5 3/16	6	2	3	5 3/16
16'-5"	1 1/2	0.719	CP1151	344	12	1/2	18	36	3 5/8	6	5 3/4	23	4 1/2	6 3/4	5 3/4	18	4 1/8	6 3/16	5 3/4	10	2 1/2	3 3/4	5 3/4
17'-5"	1 1/2	0.719	CP1151	334	12	3/8	15	N/A				9	2 5/8	3 15/16	5 7/16	9	3	4 1/2	5 7/16	5	2	3	5 7/16
17'-5"	1 1/2	0.719	CP1151	344	12	1/2	18	36	3 5/8	6	5 3/4	19	4 1/2	6 3/4	5 3/4	16	4 1/8	6 3/16	5 3/4	8	2 1/2	3 3/4	5 3/4
18'-5"	1 1/2	0.719	CP1151	334	12	3/8	14	N/A				8	2 5/8	3 15/16	5 7/16	8	3	4 1/2	5 7/16	5	2	3	5 7/16
18'-5"	1 1/2	0.719	CP1151	344	12	1/2	18	36	3 5/8	6	5 3/4	17	4 1/2	6 3/4	5 3/4	14	4 1/8	6 3/16	5 3/4	7	2 1/2	3 3/4	5 3/4
19'-5"	1 1/2	0.719	CP1151	334	11	3/8	12	N/A				7	2 5/8	3 15/16	5 7/16	7	3	4 1/2	5 7/16	5	2 1/2	3 3/4	5 7/16
19'-5"	1 1/2	0.719	CP1151	344	11	1/2	18	36	3 5/8	6	5 3/4	15	4 1/2	6 3/4	5 3/4	12	4 1/8	6 3/16	5 3/4	7	2 1/2	3 3/4	5 3/4
20'-5"	1 1/2	0.656	CP1152	334	10	3/8	11	N/A				6	2 5/8	3 15/16	5 7/16	6	3	4 1/2	5 7/16	4	2 1/2	3 3/4	5 7/16
20'-5"	1 1/2	0.656	CP1152	344	10	1/2	18	22	3 5/8	6	5 3/4	13	4 1/2	6 3/4	5 3/4	10	4 1/8	6 3/16	5 3/4	6	2 1/2	3 3/4	5 3/4
21'-5"	1 1/2	0.656	CP1152	334	9	3/8	10	N/A				5	2 5/8	3 15/16	5 7/16	N/A				6	3 1/2	5 1/4	5 7/16
21'-5"	1 1/2	0.656	CP1152	344	9	1/2	18	36	3 5/8	8	5 3/4	12	4 1/2	6 3/4	5 3/4	9	4 1/8	6 3/16	5 3/4	8	3 1/2	5 1/4	5 3/4
22'-5"	1 1/2	0.656	CP1152	344	9	1/2	18	22	3 5/8	8	5 3/4	11	4 1/2	6 3/4	5 3/4	9	4 1/8	6 3/16	5 3/4	7	3 1/2	5 1/4	5 3/4
23'-5"	2	1.156	CP1152	444	10	5/8	18	36	4 3/8	6	6 1/4	17	4 1/2	6 3/4	6 1/4	14	5 1/8	7 11/16	6 1/4	10	4	6	6 1/4
24'-5"	2	1.156	CP1152	444	10	5/8	18	28	4 3/8	6	6 1/4	15	4 1/2	6 3/4	6 1/4	13	5 1/8	7 11/16	6 1/4	9	4	6	6 1/4
25'-5"	2	1.156	CP1152	444	9	5/8	18	19	4 3/8	6	6 1/4	14	4 1/2	6 3/4	6 1/4	12	5 1/8	7 11/16	6 1/4	9	4	6	6 1/4
26'-5"	2	1.156	CP1152	445	9	5/8	18	28	4 3/8	6	6 13/16	15	4 1/2	6 3/4	6 13/16	14	7 1/2	11 1/4	6 13/16	10	4	6	6 13/16
27'-5"	2	1.156	CP1152	445	9	5/8	18	22	4 3/8	6	6 13/16	14	4 1/2	6 3/4	6 13/16	13	7 1/2	11 1/4	6 13/16	9	4	6	6 13/16
28'-5"	2	1.156	CP1152	445	9	5/8	18	36	4 3/8	8	6 13/16	14	4 1/2	6 3/4	6 13/16	12	7 1/2	11 1/4	6 13/16	9	4	6	6 13/16
29'-5"	2	1.156	CP1152	445	8	5/8	18	36	4 3/8	8	6 13/16	13	4 1/2	6 3/4	6 13/16	12	7 1/2	11 1/4	6 13/16	8	4	6	6 13/16
30'-5"	2	1.156	CP1152	445	8	5/8	18	28	4 3/8	8	6 13/16	12	4 1/2	6 3/4	6 13/16	11	7 1/2	11 1/4	6 13/16	8	4	6	6 13/16
31'-5"	2	1.156	CP1152	445	8	5/8	18	N/A				12	4 1/2	6 3/4	6 13/16	N/A				7	4	6	6 13/16
32'-5"	2	1.156	CP1152 & CP1153	445	8	5/8	18	N/A				11	4 1/2	6 3/4	6 13/16	N/A				9	5	7 1/2	6 13/16
33'-5"	2	1.156	CP1152 & CP1153	445	7	5/8	18	N/A				10	4 1/2	6 3/4	6 13/16	N/A				9	5	7 1/2	6 13/16
34'-5"	2	1.156	CP1152 & CP1153	445	7	5/8	18	N/A				10	4 1/2	6 3/4	6 13/16	N/A				9	5	7 1/2	6 13/16
35'-5"	2	1.156	CP1152 & CP1153	546	7	5/8	18	N/A				10	4 1/2	6 3/4	6 7/8	N/A				8	5	7 1/2	6 7/8
36'-5"	2	1.156	CP1152 & CP1153	546	7	5/8	18	N/A				9	4 1/2	6 3/4	6 7/8	N/A				8	5	7 1/2	6 7/8
37'-5"	2	1.156	CP1152 & CP1153	546	7	5/8	18	N/A				9	4 1/2	6 3/4	6 7/8	N/A				8	5	7 1/2	6 7/8
38'-5"	2	1.156	CP1152 & CP1153	546	7	5/8	17	N/A				8	4 1/2	6 3/4	6 7/8	N/A				7	5	7 1/2	6 7/8
39'-5"	2	1.156	CP1152 & CP1153	546	6	5/8	17	N/A				8	4 1/2	6 3/4	6 7/8	N/A				N/A			
40'-5"	2	1.156	CP1152 & CP1153	546	6	5/8	16	N/A				8	4 1/2	6 3/4	6 7/8	N/A				N/A			



	24 ELMWOOD AVE 1901 S. LITCHFIELD RD MOUNTAINTOP, PA GOODYEAR, AZ		Unless otherwise specified, dimensions are in inches & tolerances are:			
	P: 800.233.8366 F: 800.526.0841 E: ADS@CORNELLIRON.COM		0.000 = +/- 0.031 FRACTIONAL = +/- 1/32 ANGLES = +/- 1/2 DEG			
TITLE: WIND LOAD CONFIGURATION NON-INSULATED ROLLING STEEL DOOR CP0020 SLAT IMPACT RATED			DRAWN BY: TJE	SIZE: B	SCALE: AS NOTED	SHEET: 21/46
			DWG NO: ES-16-60-CIW			

L'TR	REVISION	DATE	BY	E.C.O.
*	ORIGINAL ISSUE	10/15/14	TJE	1615
A	REFORMATTED TABLES; HOOD SUPPORT UPDATE	02/14/20	MAN	2027

CP0020 - 0.0296 Minimum Thickness Galvanized or Stainless Steel - 20 PSF, Cont.																																			
DBG Up To	Filled CMU												Cracked Concrete Minimum 3,000 PSI Compressive Strength												Steel (Wall anchors are the same diameter as assembly fasteners)						Superimposed Loads				
	Hilti Kwik Bolt 3				Simpson Strong-Bolt 2				Through Bolt				Hilti Kwik Bolt TZ				Simpson Strong-Bolt 2				ITW Redhead Trubolt+				Welded		Through Bolt	Tapped		Vx (+)	Vy (+)	Vx (-)	Vy (-)		
	Max O.C.	Dia.	Embed	Edge Dist	Max O.C.	Dia.	Embed	Edge Dist	Max. O.C.	Dia.	Edge Distance	Max O.C.	Dia.	Embed.	Min Wall Thick.	Edge Dist	Max O.C.	Dia.	Embed.	Min Wall Thick.	Edge Dist	Max O.C.	Dia.	Embed.	Min Wall Thick.	Edge Dist	Max O.C.	Slot Size	Max O.C.					Max O.C.	Min. Thickness
9'-5"	9	3/8	1 5/8	4 9/16	15	3/8	2 5/8	4 9/16	36	3/8	4 9/16	36	3/8	2 5/16	4	4 9/16	36	3/8	1 7/8	3 1/4	4 9/16	36	3/8	2	4	4 9/16	36	7/16 x 5/8	36	36	3/16	0	95	0	95
9'-5"	12	3/8	2 1/2	5 3/4	8	3/8	2 5/8	5 3/4	36	3/8	5 3/4	22 3/4	3/8	2 5/16	4	5 3/4	36	3/8	2 7/8	4 1/2	5 3/4	36	3/8	2	5	5 3/4	36	7/16 x 5/8	36	36	3/16	0	95	0	95
13'-5"	9	3/8	2 1/2	5 3/16	8	1/2	3 1/2	5 3/16	27	3/8	5 3/16	36	1/2	3 5/8	6	5 3/16	36	3/8	2 7/8	4 1/2	5 3/16	28 1/2	1/2	2 1/2	4	5 3/16	36	7/16 x 5/8	36	27	3/16	333	135	323	135
13'-5"	9	1/2	2 1/4	5 3/4	9	1/2	3 1/2	5 3/4	36	1/2	5 3/4	36	1/2	3 5/8	6	5 3/4	36	1/2	2 3/4	4 1/2	5 3/4	36	1/2	2 1/2	4	5 3/4	36	9/16 x 3/4	36	36	1/4	335	135	323	135
14'-5"	8	3/8	2 1/2	5 3/16	12	3/4	5 1/4	5 3/16	23	3/8	5 3/16	36	1/2	3 5/8	6	5 3/16	36	3/8	2 7/8	4 1/2	5 3/16	22 3/4	1/2	3 3/4	6	5 3/16	36	7/16 x 5/8	36	23	3/16	380	145	372	145
14'-5"	8	1/2	2 1/4	5 3/4	8	1/2	3 1/2	5 3/4	35	1/2	5 3/4	36	1/2	3 5/8	6	5 3/4	36	1/2	2 3/4	4 1/2	5 3/4	36	1/2	2 1/2	4	5 3/4	36	9/16 x 3/4	36	35	1/4	382	145	372	145
15'-5"	8	1/2	3 1/2	5 3/16	10	3/4	5 1/4	5 3/16	19	3/8	5 3/16	16 1/4	1/2	3 5/8	6	5 3/16	36	1/2	3 7/8	6	5 3/16	22 3/4	1/2	3 3/4	8	5 3/16	30	7/16 x 5/8	30	19	3/16	456	155	449	155
15'-5"	10	1/2	3 1/2	5 3/4	12	3/4	5 1/4	5 3/4	30	1/2	5 3/4	36	1/2	3 5/8	6	5 3/4	36	1/2	2 3/4	4 1/2	5 3/4	22 3/4	1/2	3 3/4	6	5 3/4	36	9/16 x 3/4	36	30	1/4	458	155	449	155
16'-5"	10	3/4	4 3/8	5 3/16	8	3/4	5 1/4	5 3/16	16	3/8	5 3/16	19	1/2	3 5/8	8	5 3/16	28 1/2	3/4	4 1/8	6 3/4	5 3/16	28 1/2	3/4	4 3/8	7	5 3/16	24	7/16 x 5/8	24	16	3/16	559	165	551	165
16'-5"	8	1/2	3 1/2	5 3/4	10	3/4	5 1/4	5 3/4	24	1/2	5 3/4	36	1/2	3 5/8	8	5 3/4	36	1/2	3 7/8	6	5 3/4	28 1/2	1/2	3 3/4	8	5 3/4	36	9/16 x 3/4	36	24	1/4	560	165	551	165
17'-5"	10	3/4	4 3/8	5 7/16	8	3/4	5 1/4	5 7/16	13	3/8	5 7/16	36	3/4	5 9/16	8	5 7/16	22 3/4	3/4	4 1/8	6 3/4	5 7/16	22 3/4	3/4	4 3/8	7	5 7/16	21	7/16 x 5/8	21	13	3/16	658	175	651	175
17'-5"	8	3/4	3 1/4	5 3/4	8	3/4	5 1/4	5 3/4	21	1/2	5 3/4	22 3/4	1/2	3 5/8	8	5 3/4	36	3/4	4 1/8	6 3/4	5 3/4	36	3/4	4 3/8	7	5 3/4	36	9/16 x 3/4	36	21	1/4	659	175	651	175
18'-5"	9	3/4	4 3/8	5 7/16	N/A	N/A	N/A	N/A	12	3/8	5 7/16	36	3/4	5 9/16	8	5 7/16	36	3/4	5 3/4	8 3/4	5 7/16	28 1/2	3/4	4 3/8	8	5 7/16	18	7/16 x 5/8	18	12	3/16	756	185	749	185
18'-5"	9	3/4	4 3/8	5 3/4	N/A	N/A	N/A	N/A	18	1/2	5 3/4	36	3/4	5 9/16	8	5 3/4	36	3/4	5 3/4	8 3/4	5 3/4	19	3/4	4 3/8	7	5 3/4	33	9/16 x 3/4	33	18	1/4	757	185	749	185
19'-5"	8	3/4	4 3/8	5 7/16	N/A	N/A	N/A	N/A	10	3/8	5 7/16	22 3/4	3/4	5 9/16	8	5 7/16	36	3/4	5 3/4	8 3/4	5 7/16	N/A	N/A	N/A	N/A	N/A	16	7/16 x 5/8	16	10	3/16	852	195	845	196
19'-5"	8	3/4	4 3/8	5 3/4	N/A	N/A	N/A	N/A	16	1/2	5 3/4	36	3/4	5 9/16	8	5 3/4	36	3/4	5 3/4	8 3/4	5 3/4	22 3/4	3/4	4 3/8	8	5 3/4	29	9/16 x 3/4	29	16	1/4	853	195	845	196
20'-5"	N/A	N/A	N/A	N/A	N/A	N/A	N/A	N/A	9	3/8	5 7/16	N/A	N/A	N/A	N/A	N/A	N/A	N/A	N/A	N/A	N/A	N/A	N/A	N/A	N/A	N/A	13	7/16 x 5/8	13	9	3/16	1000	206	993	206
20'-5"	N/A	N/A	N/A	N/A	N/A	N/A	N/A	N/A	14	1/2	5 3/4	N/A	N/A	N/A	N/A	N/A	N/A	N/A	N/A	N/A	N/A	N/A	N/A	N/A	N/A	N/A	25	9/16 x 3/4	25	14	1/4	1001	206	993	206
21'-5"	N/A	N/A	N/A	N/A	N/A	N/A	N/A	N/A	8	3/8	5 7/16	N/A	N/A	N/A	N/A	N/A	N/A	N/A	N/A	N/A	N/A	N/A	N/A	N/A	N/A	N/A	12	7/16 x 5/8	12	8	3/16	1098	216	1092	216
21'-5"	N/A	N/A	N/A	N/A	N/A	N/A	N/A	N/A	12	1/2	5 3/4	N/A	N/A	N/A	N/A	N/A	N/A	N/A	N/A	N/A	N/A	N/A	N/A	N/A	N/A	N/A	22	9/16 x 3/4	22	12	1/4	1099	216	1092	216
22'-5"	N/A	N/A	N/A	N/A	N/A	N/A	N/A	N/A	11	1/2	5 3/4	N/A	N/A	N/A	N/A	N/A	N/A	N/A	N/A	N/A	N/A	N/A	N/A	N/A	N/A	N/A	21	9/16 x 3/4	21	11	1/4	1199	226	1191	227
23'-5"	N/A	N/A	N/A	N/A	N/A	N/A	N/A	N/A	23	5/8	6 1/4	N/A	N/A	N/A	N/A	N/A	36	3/4	5 3/4	8 3/4	6 1/4	22 3/4	5/8	4 3/4	6 1/4	6 1/4	36	11/16 x 7/8	36	23	5/16	946	235	941	235
24'-5"	N/A	N/A	N/A	N/A	N/A	N/A	N/A	N/A	22	5/8	6 1/4	N/A	N/A	N/A	N/A	N/A	N/A	N/A	N/A	N/A	N/A	N/A	N/A	N/A	N/A	N/A	36	11/16 x 7/8	36	22	5/16	1024	245	1018	245
25'-5"	N/A	N/A	N/A	N/A	N/A	N/A	N/A	N/A	20	5/8	6 1/4	N/A	N/A	N/A	N/A	N/A	N/A	N/A	N/A	N/A	N/A	N/A	N/A	N/A	N/A	N/A	36	11/16 x 7/8	36	20	5/16	1102	255	1096	255
26'-5"	N/A	N/A	N/A	N/A	N/A	N/A	N/A	N/A	23	5/8	6 13/16	N/A	N/A	N/A	N/A	N/A	36	3/4	5 3/4	8 3/4	6 13/16	N/A	N/A	N/A	N/A	36	11/16 x 7/8	36	23	5/16	1180	265	1175	266	
27'-5"	N/A	N/A	N/A	N/A	N/A	N/A	N/A	N/A	21	5/8	6 13/16	N/A	N/A	N/A	N/A	N/A	N/A	N/A	N/A	N/A	N/A	N/A	N/A	N/A	N/A	36	11/16 x 7/8	36	21	5/16	1260	275	1254	276	
28'-5"	N/A	N/A	N/A	N/A	N/A	N/A	N/A	N/A	20	5/8	6 13/16	N/A	N/A	N/A	N/A	N/A	N/A	N/A	N/A	N/A	N/A	N/A	N/A	N/A	N/A	36	11/16 x 7/8	36	20	5/16	1339	285	1333	286	
29'-5"	N/A	N/A	N/A	N/A	N/A	N/A	N/A	N/A	19	5/8	6 13/16	N/A	N/A	N/A	N/A	N/A	N/A	N/A	N/A	N/A	N/A	N/A	N/A	N/A	N/A	34	11/16 x 7/8	34	19	5/16	1420	295	1414	296	
30'-5"	N/A	N/A	N/A	N/A	N/A	N/A	N/A	N/A	18	5/8	6 13/16	N/A	N/A	N/A	N/A	N/A	N/A	N/A	N/A	N/A	N/A	N/A	N/A	N/A	N/A	32	11/16 x 7/8	32	18	5/16	1501	306	1495	306	
31'-5"	N/A	N/A	N/A	N/A	N/A	N/A	N/A	N/A	17	5/8	6 13/16	N/A	N/A	N/A	N/A	N/A	N/A	N/A	N/A	N/A	N/A	N/A	N/A	N/A	N/A	31	11/16 x 7/8	31	17	5/16	1583	316	1577	317	
32'-5"	N/A	N/A	N/A	N/A	N/A	N/A	N/A	N/A	16	5/8	6 13/16	N/A	N/A	N/A	N/A	N/A	N/A	N/A	N/A	N/A	N/A	N/A	N/A	N/A	N/A	29	11/16 x 7/8	29	16	5/16	1666	326	1660	327	
33'-5"	N/A	N/A	N/A	N/A	N/A	N/A	N/A	N/A	15	5/8	6 13/16	N/A	N/A	N/A	N/A	N/A	N/A	N/A	N/A	N/A	N/A	N/A	N/A	N/A	N/A	28	11/16 x 7/8	28	15	5/16	1749	336	1743	337	
34'-5"	N/A	N/A	N/A	N/A	N/A	N/A	N/A	N/A	14	5/8	6 13/16	N/A	N/A	N/A	N/A	N/A	N/A	N/A	N/A	N/A	N/A	N/A	N/A	N/A	N/A	26	11/16 x 7/8	26	14	5/16	1834	347	1828	347	
35'-5"	N/A	N/A	N/A	N/A	N/A	N/A	N/A	N/A	13	5/8	6 7/8	N/A	N/A	N/A	N/A	N/A	N/A	N/A	N/A	N/A	N/A	N/A	N/A	N/A	N/A	24	11/16 x 7/8	24	13	5/16	1920	357	1913	358	
36'-5"	N/A	N/A	N/A	N/A	N/A	N/A	N/A	N/A	12	5/8	6 7/8	N/A	N/A	N/A	N/A	N/A	N/A	N/A	N/A	N/A	N/A	N/A	N/A	N/A	N/A	23	11/16 x 7/8	23	12	5/16	2006	367	2000	368	
37'-5"	N/A	N/A	N/A	N/A	N/A	N/A	N/A	N/A	12	5/8	6 7/8	N/A	N/A	N/A	N/A	N/A	N/A	N/A	N/A	N/A	N/A	N/A	N/A	N/A	N/A	22	11/16 x 7/8	22	12	5/16	2093	378	2087	378	
38'-5"	N/A	N/A	N/A	N/A	N/A	N/A	N/A	N/A	11	5/8	6 7/8	N/A	N/A	N/A	N/A	N/A	N/A	N/A	N/A	N/A	N/A	N/A	N/A	N/A	N/A	21	11/16 x 7/8	21	11	5/16	2182	388	2175	389	
39'-5"	N/A	N/A	N/A	N/A	N/A	N/A	N/A	N/A	11	5/8	6 7/8	N/A	N/A	N/A	N/A	N/A	N/A	N/A	N/A	N/A	N/A	N/A	N/A	N/A	N/A	20	11/16 x 7/8	20	11	5/16	2271	398	2265	399	
40'-5"	N/A	N/A	N/A	N/A	N/A	N/A	N/A	N/A	10	5/8	6 7/8	N/A	N/A	N/A	N/A	N/A	N/A	N/A	N/A	N/A	N/A	N/A	N/A	N/A	N/A	19	11/16 x 7/8	19	10	5/16	2361	409	2355	409	



	24 ELMWOOD AVE 1901 S. LITCHFIELD RD MOUNTAINTOP, PA GOODYEAR, AZ		Unless otherwise specified, dimensions are in inches & tolerances are:		
	P: 800.233.8366 F: 800.526.0841 E: ADS@CORNELLIRON.COM		0.000 = +/- 0.031 FRACTIONAL = +/- 1/32 ANGLES = +/- 1/2 DEG		
TITLE: WIND LOAD CONFIGURATION NON-INSULATED ROLLING STEEL DOOR CP0020 SLAT IMPACT RATED		DRAWN BY: TJE	SIZE: B	SCALE: AS NOTED	SHEET: 22/46
DWG NO: ES-16-60-CIW					

L'TR	REVISION	DATE	BY	E.C.O.
*	ORIGINAL ISSUE	10/15/14	TJE	1615
A	REFORMATTED TABLES; HOOD SUPPORT UPDATE	02/14/20	MAN	2027

CP0020 - 0.0296 Minimum Thickness Galvanized or Stainless Steel - 30 PSF																							
Concrete Minimum 3,000 PSI Compressive Strength (Anchors are the same diameter as assembly fasteners)																							
DBG Up To	Windlock Flat Location	Slip	Windlock	Guide Assembly	Windlock Weld Pitch	Assembly Fastener Diameter	Assembly Fastener Spacing	Hilti Kwik Bolt 3				Simpson Wedge All				Red Head Tru-Bolt				Powers Wedge-Bolt			
								Max O.C.	Embed	Min. Wall Thick.	Edge Dist	Max O.C.	Embed	Min. Wall Thick.	Edge Dist	Max O.C.	Embed	Min. Wall Thick.	Edge Dist	Max O.C.	Embed	Min. Wall Thick.	Edge Dist
7'-5"	N/A	N/A	N/A	333*	N/A	3/8	24	36	2 3/8	4	4 9/16	32	2 5/8	3 15/16	4 9/16	33	3	4 1/2	4 9/16	26	2	3	4 9/16
7'-5"	N/A	N/A	N/A	344*	N/A	3/8	24	36	2 3/8	4	5 3/4	18	2 5/8	3 15/16	5 3/4	19	3	4 1/2	5 3/4	36	3 1/2	5 1/4	5 3/4
13'-5"	1 5/16	0.532	CP1151	334	12	3/8	15	N/A				8	2 5/8	3 15/16	5 7/16	9	3	4 1/2	5 7/16	11	3 1/2	5 1/4	5 7/16
13'-5"	1 5/16	0.532	CP1151	344	12	1/2	18	36	3 5/8	6	5 3/4	19	4 1/2	6 3/4	5 3/4	15	4 1/8	6 3/16	5 3/4	12	3 1/2	5 1/4	5 3/4
14'-5"	1 7/16	0.657	CP1151	334	12	3/8	14	N/A				8	2 5/8	3 15/16	5 7/16	8	3	4 1/2	5 7/16	10	3 1/2	5 1/4	5 7/16
14'-5"	1 7/16	0.657	CP1151	344	12	1/2	18	36	3 5/8	6	5 3/4	17	4 1/2	6 3/4	5 3/4	14	4 1/8	6 3/16	5 3/4	11	3 1/2	5 1/4	5 3/4
15'-5"	1 1/2	0.719	CP1151	334	11	3/8	12	N/A				7	2 5/8	3 15/16	5 7/16	7	3	4 1/2	5 7/16	4	2	3	5 7/16
15'-5"	1 1/2	0.719	CP1151	344	11	1/2	18	36	3 5/8	6	5 3/4	15	4 1/2	6 3/4	5 3/4	12	4 1/8	6 3/16	5 3/4	7	3 1/2	5 1/4	5 3/4
16'-5"	1 1/2	0.656	CP1152	334	10	3/8	10	N/A				6	2 5/8	3 15/16	5 7/16	6	3	4 1/2	5 7/16	4	2	3	5 7/16
16'-5"	1 1/2	0.656	CP1152	344	10	1/2	18	19	3 5/8	6	5 3/4	12	4 1/2	6 3/4	5 3/4	10	4 1/8	6 3/16	5 3/4	8	3 1/2	5 1/4	5 3/4
17'-5"	1 1/2	0.656	CP1152	344	9	1/2	18	22	3 5/8	8	5 3/4	11	4 1/2	6 3/4	5 3/4	9	4 1/8	6 3/16	5 3/4	7	2 1/2	3 3/4	5 3/4
18'-5"	2	1.156	CP1152	444	10	5/8	18	36	4 3/8	6	6 1/4	16	4 1/2	6 3/4	6 1/4	14	5 1/8	7 11/16	6 1/4	10	5	7 1/2	6 1/4
19'-5"	2	1.156	CP1152	444	10	5/8	18	22	4 3/8	6	6 1/4	15	4 1/2	6 3/4	6 1/4	13	5 1/8	7 11/16	6 1/4	9	5	7 1/2	6 1/4
20'-5"	2	1.156	CP1152	445	9	5/8	18	36	4 3/8	6	6 13/16	16	4 1/2	6 3/4	6 13/16	14	7 1/2	11 1/4	6 13/16	10	5	7 1/2	6 13/16
21'-5"	2	1.156	CP1152	445	9	5/8	18	19	4 3/8	6	6 13/16	14	4 1/2	6 3/4	6 13/16	13	7 1/2	11 1/4	6 13/16	9	5	7 1/2	6 13/16
22'-5"	2	1.156	CP1152	445	8	5/8	18	36	4 3/8	8	6 13/16	13	4 1/2	6 3/4	6 13/16	12	7 1/2	11 1/4	6 13/16	8	5	7 1/2	6 13/16
23'-5"	2	1.156	CP1152	445	8	5/8	18	28	4 3/8	8	6 13/16	12	4 1/2	6 3/4	6 13/16	11	7 1/2	11 1/4	6 13/16	8	5	7 1/2	6 13/16
24'-5"	2	1.156	CP1152	445	8	5/8	18	N/A				11	4 1/2	6 3/4	6 13/16	N/A				7	5	7 1/2	6 13/16
25'-5"	2	1.156	CP1152 & CP1153	445	8	5/8	18	N/A				11	4 1/2	6 3/4	6 13/16	N/A				9	5	7 1/2	6 13/16
26'-5"	2	1.156	CP1152 & CP1153	546	7	5/8	18	N/A				10	4 1/2	6 3/4	6 7/8	N/A				9	5	7 1/2	6 7/8
27'-5"	2	1.156	CP1152 & CP1153	546	7	5/8	18	N/A				9	4 1/2	6 3/4	6 7/8	N/A				8	5	7 1/2	6 7/8
28'-5"	2	1.156	CP1152 & CP1153	546	7	5/8	18	N/A				9	4 1/2	6 3/4	6 7/8	N/A				8	2 1/2	3 3/4	6 7/8
29'-5"	2	1.156	CP1152 & CP1153	546	7	5/8	17	N/A				8	4 1/2	6 3/4	6 7/8	N/A				7	2 1/2	3 3/4	6 7/8
30'-5"	2	1.156	CP1152 & CP1153	546	6	5/8	16	N/A				8	4 1/2	6 3/4	6 7/8	N/A				N/A			
31'-5"	2	1.156	CP1152 & CP1153	546	6	5/8	15	N/A				8	4 1/2	6 3/4	6 7/8	N/A				N/A			
32'-5"	2	1.156	CP1152 & CP1153	546	6	5/8	15	N/A				7	4 1/2	6 3/4	6 7/8	N/A				N/A			
33'-5"	2	1.156	CP1152 & CP1153	546	6	5/8	14	N/A				7	4 1/2	6 3/4	6 7/8	N/A				N/A			
34'-5"	2	1.156	CP1152 & CP1153	648	6	3/4	18	N/A				6	4 1/2	6 3/4	6 7/8	N/A				N/A			
35'-5"	2 1/2	1.656	CP1152 & CP1153	648	6	3/4	18	N/A				9	5	7 1/2	7 1/2	10	6 5/8	9 15/16	7 1/2	N/A			
36'-5"	2 1/2	1.656	CP1152 & CP1153	648	6	3/4	18	N/A				9	5	7 1/2	7 1/2	10	6 5/8	9 15/16	7 1/2	N/A			
37'-5"	2 1/2	1.656	CP1152 & CP1153	648	6	3/4	18	N/A				8	5	7 1/2	7 1/2	9	6 5/8	9 15/16	7 1/2	N/A			
38'-5"	2 1/2	1.656	CP1152 & CP1153	648	6	3/4	18	N/A				8	5	7 1/2	7 1/2	8	6 5/8	9 15/16	7 1/2	N/A			
39'-5"	2 1/2	1.656	CP1152 & CP1153	648	6	3/4	18	N/A				8	5	7 1/2	7 1/2	7	6 5/8	9 15/16	7 1/2	N/A			
40'-5"	2 1/2	1.656	CP1152 & CP1153	648	6	3/4	18	N/A				7	5	7 1/2	7 1/2	6	6 5/8	9 15/16	7 1/2	N/A			



	24 ELMWOOD AVE 1901 S. LITCHFIELD RD MOUNTAINTOP, PA GOODYEAR, AZ	Unless otherwise specified, dimensions are in inches & tolerances are: 0.000 = +/- 0.031 FRACTIONAL = +/- 1/32 ANGLES = +/- 1/2 DEG
	P: 800.233.8366 F: 800.526.0841 E: ADS@CORNELLIRON.COM	
TITLE: WIND LOAD CONFIGURATION NON-INSULATED ROLLING STEEL DOOR CP0020 SLAT IMPACT RATED	DRAWN BY: TJE DWG NO: ES-16-60-CIW	SIZE: B SCALE: AS NOTED SHEET: 23/46

L'TR	REVISION	DATE	BY	E.C.O.
*	ORIGINAL ISSUE	10/15/14	TJE	1615
A	REFORMATTED TABLES; HOOD SUPPORT UPDATE	02/14/20	MAN	2027

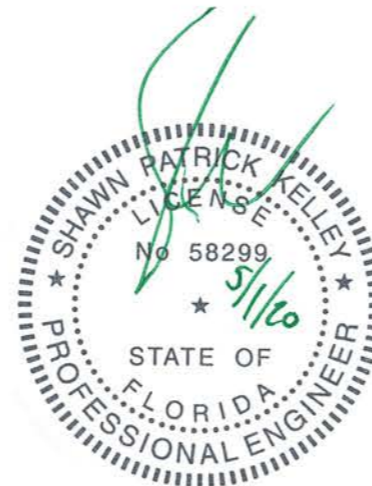
CP0020 - 0.0296 Minimum Thickness Galvanized or Stainless Steel - 30 PSF, Cont.																																								
DBG Up To	Filled CMU											Cracked Concrete Minimum 3,000 PSI Compressive Strength											Steel (Wall anchors are the same diameter as assembly fasteners)				Superimposed Loads													
	Hilti Kwik Bolt 3				Simpson Strong-Bolt 2				Through Bolt			Hilti Kwik Bolt TZ					Simpson Strong-Bolt 2					ITW Redhead Trubolt+					Welded		Through Bolt	Tapped	Vx (+)	Vy (+)	Vx (-)	Vy (-)						
	Max O.C.	Dia.	Embed	Edge Dist	Max O.C.	Dia.	Embed	Edge Dist	Max. O.C.	Dia.	Edge Distance	Max O.C.	Dia.	Embed.	Min Wall Thick.	Edge Dist	Max O.C.	Dia.	Embed.	Min Wall Thick.	Edge Dist	Max O.C.	Dia.	Embed.	Min Wall Thick.	Edge Dist	Max O.C.	Slot Size	Max O.C.	Max O.C.					Min. Thickness					
7'-5"	18	3/8	2 1/2	4 9/16	13	3/8	2 5/8	4 9/16	32	3/8	4 9/16	36	3/8	2 5/16	4	4 9/16	36	3/8	1 7/8	3 1/4	4 9/16	22 3/4	3/8	2	4	4 9/16	36	7/16 x 5/8	36	36	3/16	0	113	0	112					
7'-5"	10	3/8	2 1/2	5 3/4	9	1/2	3 1/2	5 3/4	18	3/8	5 3/4	10 5/16	3/8	2 5/16	5	5 3/4	36	3/8	2 7/8	4 1/2	5 3/4	14 1/4	3/8	2	5	5 3/4	36	7/16 x 5/8	36	36	3/16	0	113	0	112					
13'-5"	9	3/4	4 3/8	5 7/16	N/A				8	3/8	5 7/16	36	3/4	5 9/16	8	5 7/16	19	3/4	4 1/8	6 3/4	5 7/16	19	3/4	4 3/8	7	5 7/16	20	7/16 x 5/8	20	13	3/16	677	203	664	203					
13'-5"	11	3/4	4 3/8	5 3/4	8	3/4	5 1/4	5 3/4	19	1/2	5 3/4	19	1/2	3 5/8	8	5 3/4	28 1/2	3/4	4 1/8	6 3/4	5 3/4	36	3/4	4 3/8	7	5 3/4	36	9/16 x 3/4	36	20	1/4	680	203	664	203					
14'-5"	9	3/4	4 3/8	5 7/16	N/A				8	3/8	5 7/16	36	3/4	5 9/16	8	5 7/16	36	3/4	5 3/4	8 3/4	5 7/16	28 1/2	3/4	4 3/8	8	5 7/16	19	7/16 x 5/8	19	12	3/16	723	217	712	218					
14'-5"	10	3/4	4 3/8	5 3/4	8	3/4	5 1/4	5 3/4	17	1/2	5 3/4	36	3/4	5 9/16	8	5 3/4	19	3/4	4 1/8	6 3/4	5 3/4	22 3/4	3/4	4 3/8	7	5 3/4	34	9/16 x 3/4	34	19	1/4	726	218	712	218					
15'-5"	8	3/4	4 3/8	5 7/16	N/A				7	3/8	5 7/16	28 1/2	3/4	5 9/16	8	5 7/16	36	3/4	5 3/4	8 3/4	5 7/16	N/A					17	7/16 x 5/8	17	11	3/16	818	232	808	233					
15'-5"	9	3/4	4 3/8	5 3/4	N/A				15	1/2	5 3/4	36	3/4	5 9/16	8	5 3/4	36	3/4	5 3/4	8 3/4	5 3/4	28 1/2	3/4	4 3/8	8	5 3/4	30	9/16 x 3/4	30	16	1/4	820	233	808	233					
16'-5"	N/A				N/A				6	3/8	5 7/16	N/A					N/A					13	7/16 x 5/8	13	9	3/16	1013	248	1003	248										
16'-5"	N/A				N/A				12	1/2	5 3/4	N/A					36	3/4	5 3/4	8 3/4	5 3/4	N/A					24	9/16 x 3/4	24	13	1/4	1015	248	1003	248					
17'-5"	N/A				N/A				11	1/2	5 3/4	N/A					22 3/4	3/4	5 3/4	8 3/4	5 3/4	N/A					21	9/16 x 3/4	21	12	1/4	1156	263	1145	264					
18'-5"	N/A				N/A				16	5/8	6 1/4	N/A					36	3/4	5 3/4	8 3/4	6 1/4	22 3/4	5/8	4 3/4	6 1/4	6 1/4	36	11/16 x 7/8	36	24	5/16	926	276	918	277					
19'-5"	N/A				N/A				15	5/8	6 1/4	N/A					N/A					36	3/4	5 3/4	8 3/4	6 13/16	N/A					36	11/16 x 7/8	36	21	5/16	1036	291	1028	292
20'-5"	N/A				N/A				16	5/8	6 13/16	N/A					36	3/4	5 3/4	8 3/4	6 13/16	N/A					36	11/16 x 7/8	36	23	5/16	1146	306	1138	307					
21'-5"	N/A				N/A				14	5/8	6 13/16	N/A					N/A					N/A					36	11/16 x 7/8	36	21	5/16	1256	322	1248	323					
22'-5"	N/A				N/A				13	5/8	6 13/16	N/A					N/A					N/A					36	11/16 x 7/8	36	20	5/16	1366	337	1358	338					
23'-5"	N/A				N/A				12	5/8	6 13/16	N/A					N/A					N/A					33	11/16 x 7/8	33	18	5/16	1477	352	1469	353					
24'-5"	N/A				N/A				11	5/8	6 13/16	N/A					N/A					N/A					31	11/16 x 7/8	31	17	5/16	1589	367	1581	368					
25'-5"	N/A				N/A				11	5/8	6 13/16	N/A					N/A					N/A					28	11/16 x 7/8	28	16	5/16	1702	383	1694	384					
26'-5"	N/A				N/A				10	5/8	6 7/8	N/A					N/A					N/A					25	11/16 x 7/8	25	14	5/16	1816	398	1808	399					
27'-5"	N/A				N/A				9	5/8	6 7/8	N/A					N/A					N/A					24	11/16 x 7/8	24	13	5/16	1931	413	1923	414					
28'-5"	N/A				N/A				9	5/8	6 7/8	N/A					N/A					N/A					22	11/16 x 7/8	22	12	5/16	2048	429	2039	430					
29'-5"	N/A				N/A				8	5/8	6 7/8	N/A					N/A					N/A					21	11/16 x 7/8	21	11	5/16	2166	444	2157	445					
30'-5"	N/A				N/A				8	5/8	6 7/8	N/A					N/A					N/A					20	11/16 x 7/8	20	11	5/16	2285	459	2277	461					
31'-5"	N/A				N/A				8	5/8	6 7/8	N/A					N/A					N/A					19	11/16 x 7/8	19	10	5/16	2406	475	2397	476					
32'-5"	N/A				N/A				7	5/8	6 7/8	N/A					N/A					N/A					18	11/16 x 7/8	18	10	5/16	2528	491	2519	492					
33'-5"	N/A				N/A				7	5/8	6 7/8	N/A					N/A					N/A					17	11/16 x 7/8	17	9	5/16	2652	506	2643	507					
34'-5"	N/A				N/A				6	3/4	6 7/8	N/A					N/A					N/A					36	11/16 x 7/8	36	21	3/8	2305	518	2297	519					
35'-5"	N/A				N/A				9	3/4	7 1/2	N/A					N/A					N/A					36	13/16 x 1	36	20	3/8	2411	534	2403	534					
36'-5"	N/A				N/A				9	3/4	7 1/2	N/A					N/A					N/A					35	13/16 x 1	35	19	3/8	2519	549	2511	550					
37'-5"	N/A				N/A				8	3/4	7 1/2	N/A					N/A					N/A					33	13/16 x 1	33	18	3/8	2628	565	2620	565					
38'-5"	N/A				N/A				8	3/4	7 1/2	N/A					N/A					N/A					32	13/16 x 1	32	17	3/8	2738	580	2729	581					
39'-5"	N/A				N/A				8	3/4	7 1/2	N/A					N/A					N/A					31	13/16 x 1	31	17	3/8	2849	596	2841	596					
40'-5"	N/A				N/A				7	3/4	7 1/2	N/A					N/A					N/A					30	13/16 x 1	30	16	3/8	2961	611	2953	612					



	24 ELMWOOD AVE 1901 S. LITCHFIELD RD MOUNTAINTOP, PA GOODYEAR, AZ		Unless otherwise specified, dimensions are in inches & tolerances are:		
	P: 800.233.8366 F: 800.526.0841 E: ADS@CORNELLIRON.COM		0.000 = +/- 0.031 FRACTIONAL = +/- 1/32 ANGLES = +/- 1/2 DEG		
TITLE: WIND LOAD CONFIGURATION NON-INSULATED ROLLING STEEL DOOR CP0020 SLAT IMPACT RATED		DRAWN BY: TJE	SIZE: B	SCALE: AS NOTED	SHEET: 24/46
		DWG NO: ES-16-60-CIW			

L/TR	REVISION	DATE	BY	E.C.O.
*	ORIGINAL ISSUE	10/15/14	TJE	1615
A	REFORMATTED TABLES; HOOD SUPPORT UPDATE	02/14/20	MAN	2027

CP0020 - 0.0296 Minimum Thickness Galvanized or Stainless Steel - 40 PSF																							
Concrete Minimum 3,000 PSI Compressive Strength (Anchors are the same diameter as assembly fasteners)																							
DBG Up To	Windlock Flat Location	Slip	Windlock	Guide Assembly	Windlock Weld Pitch	Assembly Fastener Diameter	Assembly Fastener Spacing	Hilti Kwik Bolt 3				Simpson Wedge All				Red Head Tru-Bolt				Powers Wedge-Bolt			
								Max O.C.	Embed	Min. Wall Thick.	Edge Dist	Max O.C.	Embed	Min. Wall Thick.	Edge Dist	Max O.C.	Embed	Min. Wall Thick.	Edge Dist	Max O.C.	Embed	Min. Wall Thick.	Edge Dist
6'-5"	N/A	N/A	N/A	333*	N/A	3/8	24	36	2 3/8	4	4 9/16	28	2 5/8	3 15/16	4 9/16	29	3	4 1/2	4 9/16	22	2	3	4 9/16
6'-5"	N/A	N/A	N/A	344*	N/A	3/8	24	36	2 3/8	4	5 3/4	16	2 5/8	3 15/16	5 3/4	16	3	4 1/2	5 3/4	32	3 1/2	5 1/4	5 3/4
13'-5"	1 3/8	0.531	CP1152	334	10	3/8	10	N/A				5	2 5/8	3 15/16	5 7/16	6	3	4 1/2	5 7/16	7	3 1/2	5 1/4	5 7/16
13'-5"	1 3/8	0.531	CP1152	344	10	1/2	18	36	3 5/8	8	5 3/4	12	4 1/2	6 3/4	5 3/4	10	4 1/8	6 3/16	5 3/4	8	3 1/2	5 1/4	5 3/4
14'-5"	1 1/2	0.656	CP1152	334	10	3/8	9	N/A				5	2 5/8	3 15/16	5 7/16	N/A				7	3 1/2	5 1/4	5 7/16
14'-5"	1 1/2	0.656	CP1152	344	10	1/2	18	36	3 5/8	8	5 3/4	12	4 1/2	6 3/4	5 3/4	9	4 1/8	6 3/16	5 3/4	8	3 1/2	5 1/4	5 3/4
15'-5"	1 5/8	0.781	CP1152	444	9	5/8	18	36	4 3/8	8	6 1/4	14	4 1/2	6 3/4	6 1/4	12	5 1/8	7 11/16	6 1/4	9	4	6	6 1/4
16'-5"	1 3/4	0.906	CP1152	445	9	5/8	18	28	4 3/8	6	6 13/16	15	4 1/2	6 3/4	6 13/16	14	7 1/2	11 1/4	6 13/16	10	4	6	6 13/16
17'-5"	2	1.156	CP1152	445	9	5/8	18	28	4 3/8	6	6 13/16	15	4 1/2	6 3/4	6 13/16	14	7 1/2	11 1/4	6 13/16	10	4	6	6 13/16
18'-5"	2	1.156	CP1152	445	9	5/8	18	36	4 3/8	8	6 13/16	14	4 1/2	6 3/4	6 13/16	12	7 1/2	11 1/4	6 13/16	9	4	6	6 13/16
19'-5"	2	1.156	CP1152	445	8	5/8	18	28	4 3/8	8	6 13/16	12	4 1/2	6 3/4	6 13/16	11	7 1/2	11 1/4	6 13/16	8	4	6	6 13/16
20'-5"	2	1.156	CP1152	445	8	5/8	18	N/A				11	4 1/2	6 3/4	6 13/16	N/A				7	4	6	6 13/16
21'-5"	2	1.156	CP1152 & CP1153	546	7	5/8	18	N/A				10	4 1/2	6 3/4	6 7/8	N/A				9	5	7 1/2	6 7/8
22'-5"	2	1.156	CP1152 & CP1153	546	7	5/8	18	N/A				10	4 1/2	6 3/4	6 7/8	N/A				8	5	7 1/2	6 7/8
23'-5"	2	1.156	CP1152 & CP1153	546	7	5/8	18	N/A				9	4 1/2	6 3/4	6 7/8	N/A				8	5	7 1/2	6 7/8
24'-5"	2	1.156	CP1152 & CP1153	546	7	5/8	17	N/A				8	4 1/2	6 3/4	6 7/8	N/A				7	5	7 1/2	6 7/8
25'-5"	2	1.156	CP1152 & CP1153	546	6	5/8	16	N/A				8	4 1/2	6 3/4	6 7/8	N/A				N/A			
26'-5"	2	1.156	CP1152 & CP1153	546	6	5/8	15	N/A				7	4 1/2	6 3/4	6 7/8	N/A				N/A			
27'-5"	2	1.156	CP1152 & CP1153	546	6	5/8	14	N/A				7	4 1/2	6 3/4	6 7/8	N/A				N/A			
28'-5"	2 1/2	1.656	CP1152 & CP1153	648	6	3/4	18	N/A				10	5	7 1/2	7 1/2	11	6 5/8	9 15/16	7 1/2	N/A			
29'-5"	2 1/2	1.656	CP1152 & CP1153	648	6	3/4	18	N/A				9	5	7 1/2	7 1/2	10	6 5/8	9 15/16	7 1/2	N/A			
30'-5"	2 1/2	1.656	CP1152 & CP1153	648	6	3/4	18	N/A				9	5	7 1/2	7 1/2	10	6 5/8	9 15/16	7 1/2	N/A			
31'-5"	2 1/2	1.656	CP1152 & CP1153	648	6	3/4	18	N/A				8	5	7 1/2	7 1/2	8	6 5/8	9 15/16	7 1/2	N/A			
32'-5"	2 1/2	1.656	CP1152 & CP1153	648	6	3/4	18	N/A				8	5	7 1/2	7 1/2	7	6 5/8	9 15/16	7 1/2	N/A			
33'-5"	2 1/2	1.656	CP1152 & CP1153	648	6	3/4	18	N/A				7	5	7 1/2	7 1/2	5	6 5/8	9 15/16	7 1/2	N/A			
34'-5"	2 1/2	1.656	CP1152 & CP1153	648	5	3/4	17	N/A				7	5	7 1/2	7 1/2	N/A				N/A			



	24 ELMWOOD AVE 1901 S. LITCHFIELD RD MOUNTAINTOP, PA GOODYEAR, AZ	Unless otherwise specified, dimensions are in inches & tolerances are: 0.000 = +/- 0.031 FRACTIONAL = +/- 1/32 ANGLES = +/- 1/2 DEG
	P: 800.233.8366 F: 800.526.0841 E: ADS@CORNELLIRON.COM	TITLE: WIND LOAD CONFIGURATION NON-INSULATED ROLLING STEEL DOOR CP0020 SLAT IMPACT RATED

L/TR	REVISION	DATE	BY	E.C.O.
*	ORIGINAL ISSUE	10/15/14	TJE	1615
A	REFORMATTED TABLES; HOOD SUPPORT UPDATE	02/14/20	MAN	2027

CP0020 - 0.0296 Minimum Thickness Galvanized or Stainless Steel - 40 PSF, Cont.																																				
DBG Up To	Filled CMU												Cracked Concrete Minimum 3,000 PSI Compressive Strength										Steel (Wall anchors are the same diameter as assembly fasteners)					Superimposed Loads								
	Hilti Kwik Bolt 3				Simpson Strong-Bolt 2				Through Bolt				Hilti Kwik Bolt TZ					Simpson Strong-Bolt 2					ITW Redhead Trubolt+					Welded		Through Bolt	Tapped		Vx (+)	Vy (+)	Vx (-)	Vy (-)
	Max O.C.	Dia.	Embed	Edge Dist	Max O.C.	Dia.	Embed	Edge Dist	Max. O.C.	Dia.	Edge Distance	Max O.C.	Dia.	Embed.	Min Wall Thick.	Edge Dist	Max O.C.	Dia.	Embed.	Min Wall Thick.	Edge Dist	Max O.C.	Dia.	Embed.	Min Wall Thick.	Edge Dist	Max O.C.	Slot Size	Max O.C.	Max O.C.	Min. Thickness					
6'-5"	16	3/8	2 1/2	4 9/16	11	3/8	2 5/8	4 9/16	28	3/8	4 9/16	36	3/8	2 5/16	4	4 9/16	36	3/8	1 7/8	3 1/4	4 9/16	36	3/8	2	5	4 9/16	36	7/16 x 5/8	36	36	3/16	0	130	0	129	
6'-5"	9	3/8	2 1/2	5 3/4	15	3/4	5 1/4	5 3/4	16	3/8	5 3/4	36	1/2	3 5/8	6	5 3/4	36	3/8	2 7/8	4 1/2	5 3/4	36	1/2	2 1/2	4	5 3/4	36	7/16 x 5/8	36	36	3/16	0	130	0	129	
13'-5"	N/A				N/A				5	3/8	5 7/16	N/A					22 3/4	3/4	5 3/4	8 3/4	5 7/16	N/A					13	7/16 x 5/8	13	8	3/16	1022	270	1006	271	
13'-5"	N/A				N/A				12	1/2	5 3/4	N/A					36	3/4	5 3/4	8 3/4	5 3/4	N/A					24	9/16 x 3/4	24	13	1/4	1024	271	1006	271	
14'-5"	N/A				N/A				5	3/8	5 7/16	N/A					N/A					N/A					13	7/16 x 5/8	13	8	3/16	1067	290	1054	291	
14'-5"	N/A				N/A				12	1/2	5 3/4	N/A					28 1/2	3/4	5 3/4	8 3/4	5 3/4	N/A					23	9/16 x 3/4	23	12	1/4	1070	291	1054	291	
15'-5"	N/A				N/A				14	5/8	6 1/4	N/A					22 3/4	3/4	5 3/4	8 3/4	6 1/4	N/A					36	11/16 x 7/8	36	20	5/16	1127	309	1112	310	
16'-5"	N/A				N/A				15	5/8	6 13/16	N/A					36	3/4	5 3/4	8 3/4	6 13/16	N/A					36	11/16 x 7/8	36	23	5/16	1183	329	1170	330	
17'-5"	N/A				N/A				15	5/8	6 13/16	N/A					N/A					N/A					36	11/16 x 7/8	36	23	5/16	1156	348	1146	349	
18'-5"	N/A				N/A				14	5/8	6 13/16	N/A					N/A					N/A					36	11/16 x 7/8	36	21	5/16	1297	368	1287	370	
19'-5"	N/A				N/A				12	5/8	6 13/16	N/A					N/A					N/A					34	11/16 x 7/8	34	19	5/16	1437	389	1427	390	
20'-5"	N/A				N/A				11	5/8	6 13/16	N/A					N/A					N/A					31	11/16 x 7/8	31	17	5/16	1579	409	1568	410	
21'-5"	N/A				N/A				10	5/8	6 7/8	N/A					N/A					N/A					27	11/16 x 7/8	27	15	5/16	1720	429	1710	431	
22'-5"	N/A				N/A				10	5/8	6 7/8	N/A					N/A					N/A					25	11/16 x 7/8	25	13	5/16	1863	450	1853	451	
23'-5"	N/A				N/A				9	5/8	6 7/8	N/A					N/A					N/A					23	11/16 x 7/8	23	12	5/16	2008	470	1997	471	
24'-5"	N/A				N/A				8	5/8	6 7/8	N/A					N/A					N/A					21	11/16 x 7/8	21	12	5/16	2154	490	2143	492	
25'-5"	N/A				N/A				8	5/8	6 7/8	N/A					N/A					N/A					20	11/16 x 7/8	20	11	5/16	2302	511	2291	512	
26'-5"	N/A				N/A				7	5/8	6 7/8	N/A					N/A					N/A					19	11/16 x 7/8	19	10	5/16	2451	531	2440	533	
27'-5"	N/A				N/A				7	5/8	6 7/8	N/A					N/A					N/A					18	11/16 x 7/8	18	9	5/16	2603	552	2592	554	
28'-5"	N/A				N/A				10	3/4	7 1/2	N/A					N/A					N/A					36	13/16 x 1	36	21	3/8	2282	570	2272	570	
29'-5"	N/A				N/A				9	3/4	7 1/2	N/A					N/A					N/A					36	13/16 x 1	36	20	3/8	2413	590	2403	591	
30'-5"	N/A				N/A				9	3/4	7 1/2	N/A					N/A					N/A					34	13/16 x 1	34	18	3/8	2545	610	2535	611	
31'-5"	N/A				N/A				8	3/4	7 1/2	N/A					N/A					N/A					33	13/16 x 1	33	18	3/8	2679	631	2669	632	
32'-5"	N/A				N/A				8	3/4	7 1/2	N/A					N/A					N/A					31	13/16 x 1	31	17	3/8	2815	652	2804	652	
33'-5"	N/A				N/A				7	3/4	7 1/2	N/A					N/A					N/A					30	13/16 x 1	30	16	3/8	2952	672	2942	673	
34'-5"	N/A				N/A				7	3/4	7 1/2	N/A					N/A					N/A					28	13/16 x 1	28	15	3/8	3091	693	3080	693	



	24 ELMWOOD AVE 1901 S. LITCHFIELD RD MOUNTAINTOP, PA GOODYEAR, AZ	Unless otherwise specified, dimensions are in inches & tolerances are: 0.000 = +/- 0.031 FRACTIONAL = +/- 1/32 ANGLES = +/- 1/2 DEG
	P: 800.233.8366 F: 800.526.0841 E: ADS@CORNELLIRON.COM	TITLE: WIND LOAD CONFIGURATION NON-INSULATED ROLLING STEEL DOOR CP0020 SLAT IMPACT RATED

L'TR	REVISION	DATE	BY	E.C.O.
*	ORIGINAL ISSUE	10/15/14	TJE	1615
A	REFORMATTED TABLES; HOOD SUPPORT UPDATE	02/14/20	MAN	2027

CP0020 - 0.0296 Minimum Thickness Galvanized or Stainless Steel - 50 PSF																							
Concrete Minimum 3,000 PSI Compressive Strength (Anchors are the same diameter as assembly fasteners)																							
DBG Up To	Windlock Flat Location	Slip	Windlock	Guide Assembly	Windlock Weld Pitch	Assembly Fastener Diameter	Assembly Fastener Spacing	Hilti Kwik Bolt 3				Simpson Wedge All				Red Head Tru-Bolt				Powers Wedge-Bolt			
								Max O.C.	Embed	Min. Wall Thick.	Edge Dist	Max O.C.	Embed	Min. Wall Thick.	Edge Dist	Max O.C.	Embed	Min. Wall Thick.	Edge Dist	Max O.C.	Embed	Min. Wall Thick.	Edge Dist
5'-5"	N/A	N/A	N/A	333*	N/A	3/8	24	36	2 3/8	4	4 9/16	26	2 5/8	3 15/16	4 9/16	27	3	4 1/2	4 9/16	21	2	3	4 9/16
5'-5"	N/A	N/A	N/A	344*	N/A	3/8	24	36	2 3/8	4	5 3/4	15	2 5/8	3 15/16	5 3/4	15	3	4 1/2	5 3/4	30	3 1/2	5 1/4	5 3/4
14'-5"	1 1/2	0.656	CP1152 & CP1153	DC1	8	1/2	12	8	3 1/2	5 1/4	5 3/4	8	4 1/2	6 3/4	5 3/4	N/A				N/A			
15'-5"	1 5/8	0.781	CP1152	445	8	5/8	18	28	4 3/8	8	6 13/16	12	4 1/2	6 3/4	6 13/16	11	7 1/2	11 1/4	6 13/16	8	4	6	6 13/16
16'-5"	1 3/4	0.906	CP1152	445	8	5/8	18	22	4 3/8	8	6 13/16	12	4 1/2	6 3/4	6 13/16	N/A				7	4	6	6 13/16
17'-5"	2	1.156	CP1152	445	8	5/8	18	22	4 3/8	8	6 13/16	12	4 1/2	6 3/4	6 13/16	N/A				7	4	6	6 13/16
18'-5"	2	1.156	CP1152 & CP1153	546	8	5/8	18	N/A				11	4 1/2	6 3/4	6 7/8	N/A				9	5	7 1/2	6 7/8
19'-5"	2	1.156	CP1152 & CP1153	546	7	5/8	18	N/A				10	4 1/2	6 3/4	6 7/8	N/A				8	5	7 1/2	6 7/8
20'-5"	2	1.156	CP1152 & CP1153	546	7	5/8	18	N/A				9	4 1/2	6 3/4	6 7/8	N/A				8	5	7 1/2	6 7/8
21'-5"	2	1.156	CP1152 & CP1153	546	7	5/8	16	N/A				8	4 1/2	6 3/4	6 7/8	N/A				7	5	7 1/2	6 7/8
22'-5"	2	1.156	CP1152 & CP1153	546	6	5/8	15	N/A				8	4 1/2	6 3/4	6 7/8	N/A				N/A			
23'-5"	2	1.156	CP1152 & CP1153	546	6	5/8	14	N/A				7	4 1/2	6 3/4	6 7/8	N/A				N/A			
25'-5"	2 1/2	1.656	CP1152 & CP1153	DC2	6	3/4	15	11	4 3/4	7 1/8	7 1/2	11	5	7 1/2	7 1/2	N/A				N/A			
26'-5"	2 1/2	1.656	CP1152 & CP1153	648	6	3/4	18	N/A				8	5	7 1/2	7 1/2	9	6 5/8	9 15/16	7 1/2	N/A			
27'-5"	2 1/2	1.656	CP1152 & CP1153	648	6	3/4	18	N/A				8	5	7 1/2	7 1/2	7	6 5/8	9 15/16	7 1/2	N/A			
28'-5"	2 1/2	1.656	CP1152 & CP1153	648	6	3/4	18	N/A				8	5	7 1/2	7 1/2	6	6 5/8	9 15/16	7 1/2	N/A			
29'-5"	2 1/2	1.656	CP1152 & CP1153	648	6	3/4	17	N/A				7	5	7 1/2	7 1/2	N/A				N/A			
30'-5"	2 1/2	1.656	CP1152 & CP1153	648	5	3/4	16	N/A				7	5	7 1/2	7 1/2	N/A				N/A			



	24 ELMWOOD AVE 1901 S. LITCHFIELD RD MOUNTAINTOP, PA GOODYEAR, AZ	Unless otherwise specified, dimensions are in inches & tolerances are: 0.000 = +/- 0.031 FRACTIONAL = +/- 1/32 ANGLES = +/- 1/2 DEG
	P: 800.233.8366 F: 800.526.0841 E: ADS@CORNELLIRON.COM	
TITLE: WIND LOAD CONFIGURATION NON-INSULATED ROLLING STEEL DOOR CP0020 SLAT IMPACT RATED	DRAWN BY: TJE	SIZE: B SCALE: AS NOTED SHEET: 27/46
DWG NO: ES-16-60-CIW		

L'TR	REVISION	DATE	BY	E.C.O.
*	ORIGINAL ISSUE	10/15/14	TJE	1615
A	REFORMATTED TABLES; HOOD SUPPORT UPDATE	02/14/20	MAN	2027

CP0020 - 0.0296 Minimum Thickness Galvanized or Stainless Steel - 50 PSF, Cont.																				
DBG Up To	Filled CMU											Steel (Wall anchors are the same diameter as assembly fasteners)					Superimposed Loads			
	Hilti Kwik Bolt 3				Simpson Strong-Bolt 2				Through Bolt			Welded		Through Bolt	Tapped		Vx (+)	Vy (+)	Vx (-)	Vy (-)
	Max O.C.	Dia.	Embed	Edge Dist	Max O.C.	Dia.	Embed	Edge Dist	Max. O.C.	Dia.	Edge Distance	Max O.C.	Slot Size	Max O.C.	Max O.C.	Min. Thickness				
5'-5"	15	3/8	2 1/2	4 9/16	10	3/8	2 5/8	4 9/16	26	3/8	4 9/16	36	7/16 x 5/8	36	36	3/16	0	137	0	136
5'-5"	8	3/8	2 1/2	5 3/4	14	3/4	5 1/4	5 3/4	15	3/8	5 3/4	36	7/16 x 5/8	36	36	3/16	0	138	0	136
14'-5"	N/A				N/A				8	1/2	5 3/4	12	9/16 x 3/4	12	12	1/4	1413	363	1395	363
15'-5"	N/A				N/A				12	5/8	6 13/16	33	11/16 x 7/8	33	18	5/16	1476	387	1458	388
16'-5"	N/A				N/A				12	5/8	6 13/16	32	11/16 x 7/8	32	17	5/16	1538	412	1522	413
17'-5"	N/A				N/A				12	5/8	6 13/16	32	11/16 x 7/8	32	18	5/16	1498	435	1485	437
18'-5"	N/A				N/A				11	5/8	6 7/8	28	11/16 x 7/8	28	15	5/16	1668	461	1656	462
19'-5"	N/A				N/A				10	5/8	6 7/8	25	11/16 x 7/8	25	14	5/16	1839	486	1826	488
20'-5"	N/A				N/A				9	5/8	6 7/8	23	11/16 x 7/8	23	12	5/16	2011	512	1999	513
21'-5"	N/A				N/A				8	5/8	6 7/8	21	11/16 x 7/8	21	11	5/16	2185	537	2172	539
22'-5"	N/A				N/A				8	5/8	6 7/8	19	11/16 x 7/8	19	11	5/16	2361	563	2348	564
23'-5"	N/A				N/A				7	5/8	6 7/8	18	11/16 x 7/8	18	10	5/16	2539	588	2526	590
25'-5"	N/A				N/A				8	3/4	7 1/2	15	13/16 x 1	15	15	3/8	2398	636	2387	636
26'-5"	N/A				N/A				8	3/4	7 1/2	34	13/16 x 1	34	18	3/8	2555	662	2543	662
27'-5"	N/A				N/A				8	3/4	7 1/2	32	13/16 x 1	32	17	3/8	2712	687	2700	688
28'-5"	N/A				N/A				8	3/4	7 1/2	30	13/16 x 1	30	16	3/8	2872	713	2860	714
29'-5"	N/A				N/A				7	3/4	7 1/2	29	13/16 x 1	29	15	3/8	3034	739	3022	739
30'-5"	N/A				N/A				7	3/4	7 1/2	27	13/16 x 1	27	15	3/8	3198	764	3186	765



	24 ELMWOOD AVE 1901 S. LITCHFIELD RD MOUNTAINTOP, PA GOODYEAR, AZ	Unless otherwise specified, dimensions are in inches & tolerances are: 0.000 = +/- 0.031 FRACTIONAL = +/- 1/32 ANGLES = +/- 1/2 DEG		
	P: 800.233.8366 F: 800.526.0841 E: ADS@CORNELLIRON.COM			
TITLE: WIND LOAD CONFIGURATION NON-INSULATED ROLLING STEEL DOOR CP0020 SLAT IMPACT RATED	DRAWN BY: TJE	SIZE: B	SCALE: AS NOTED	SHEET: 28/46
	DWG NO: ES-16-60-CIW			

L'TR	REVISION	DATE	BY	E.C.O.
*	ORIGINAL ISSUE	10/15/14	TJE	1615
A	REFORMATTED TABLES; HOOD SUPPORT UPDATE	02/14/20	MAN	2027

CP0020 - 0.0296 Minimum Thickness Galvanized or Stainless Steel - 60 PSF																							
Concrete Minimum 3,000 PSI Compressive Strength (Anchors are the same diameter as assembly fasteners)																							
DBG Up To	Windlock Flat Location	Slip	Windlock	Guide Assembly	Windlock Weld Pitch	Assembly Fastener Diameter	Assembly Fastener Spacing	Hilti Kwik Bolt 3				Simpson Wedge All				Red Head Tru-Bolt				Powers Wedge-Bolt			
								Max O.C.	Embed	Min. Wall Thick.	Edge Dist	Max O.C.	Embed	Min. Wall Thick.	Edge Dist	Max O.C.	Embed	Min. Wall Thick.	Edge Dist	Max O.C.	Embed	Min. Wall Thick.	Edge Dist
5'-5"	N/A	N/A	N/A	333*	N/A	3/8	24	36	2 3/8	4	4 9/16	22	2 5/8	3 15/16	4 9/16	23	3	4 1/2	4 9/16	17	2	3	4 9/16
5'-5"	N/A	N/A	N/A	344*	N/A	3/8	24	28	2 3/8	4	5 3/4	12	2 5/8	3 15/16	5 3/4	13	3	4 1/2	5 3/4	25	3 1/2	5 1/4	5 3/4
14'-5"	1 1/2	0.656	CP1152 & CP1153	DC1	8	1/2	12	8	3 1/2	5 1/4	5 3/4	8	4 1/2	6 3/4	5 3/4	N/A				N/A			
15'-5"	1 5/8	0.781	CP1152 & CP1153	546	7	5/8	18	N/A				10	4 1/2	6 3/4	6 7/8	N/A				N/A			
16'-5"	1 3/4	0.906	CP1152 & CP1153	546	7	5/8	18	N/A				10	4 1/2	6 3/4	6 7/8	N/A				N/A			
17'-5"	2	1.156	CP1152 & CP1153	546	7	5/8	18	N/A				10	4 1/2	6 3/4	6 7/8	N/A				N/A			
18'-5"	2	1.156	CP1152 & CP1153	546	7	5/8	17	N/A				9	4 1/2	6 3/4	6 7/8	N/A				N/A			
19'-5"	2	1.156	CP1152 & CP1153	546	6	5/8	16	N/A				8	4 1/2	6 3/4	6 7/8	N/A				N/A			
20'-5"	2	1.156	CP1152 & CP1153	546	6	5/8	14	N/A				7	4 1/2	6 3/4	6 7/8	N/A				N/A			
21'-5"	2	1.156	CP1152 & CP1153	546	6	5/8	13	N/A				7	4 1/2	6 3/4	6 7/8	N/A				N/A			
25'-5"	2 1/2	1.656	CP1152 & CP1153	DC2	6	3/4	15	11	4 3/4	7 1/8	7 1/2	11	5	7 1/2	7 1/2	N/A				N/A			
26'-5"	2 1/2	1.656	CP1152 & CP1153	648	5	3/4	16	N/A				7	5	7 1/2	7 1/2	N/A				N/A			

CP0020 - 0.0296 Minimum Thickness Galvanized or Stainless Steel - 60 PSF, Cont.																						
DBG Up To	Filled CMU												Steel (Wall anchors are the same diameter as assembly fasteners)						Superimposed Loads			
	Hilti Kwik Bolt 3				Simpson Strong-Bolt 2				Through Bolt				Welded		Through Bolt		Tapped		Vx (+)	Vy (+)	Vx (-)	Vy (-)
	Max O.C.	Dia.	Embed	Edge Dist	Max O.C.	Dia.	Embed	Edge Dist	Max O.C.	Dia.	Edge Distance	Max O.C.	Slot Size	Max O.C.	Max O.C.	Min. Thickness						
5'-5"	12	3/8	2 1/2	4 9/16	8	3/8	2 5/8	4 9/16	22	3/8	4 9/16	36	7/16 x 5/8	36	36	3/16	0	165	0	163		
5'-5"	8	1/2	3 1/2	5 3/4	11	3/4	5 1/4	5 3/4	12	3/8	5 3/4	36	7/16 x 5/8	36	36	3/16	0	165	0	163		
14'-5"	N/A				N/A				8	1/2	5 3/4	12	9/16 x 3/4	12	12	1/4	1756	436	1735	436		
15'-5"	N/A				N/A				10	5/8	6 7/8	25	11/16 x 7/8	25	14	5/16	1825	465	1804	466		
16'-5"	N/A				N/A				10	5/8	6 7/8	24	11/16 x 7/8	24	13	5/16	1892	494	1874	496		
17'-5"	N/A				N/A				10	5/8	6 7/8	25	11/16 x 7/8	25	14	5/16	1839	523	1825	525		
18'-5"	N/A				N/A				9	5/8	6 7/8	23	11/16 x 7/8	23	12	5/16	2039	553	2024	555		
19'-5"	N/A				N/A				8	5/8	6 7/8	20	11/16 x 7/8	20	11	5/16	2240	584	2226	586		
20'-5"	N/A				N/A				7	5/8	6 7/8	19	11/16 x 7/8	19	10	5/16	2444	614	2429	616		
21'-5"	N/A				N/A				7	5/8	6 7/8	17	11/16 x 7/8	17	9	5/16	2649	645	2634	647		
25'-5"	N/A				N/A				8	3/4	7 1/2	15	13/16 x 1	15	15	3/8	2898	764	2883	765		
26'-5"	N/A				N/A				7	3/4	7 1/2	28	13/16 x 1	28	15	3/8	3083	795	3069	796		



	24 ELMWOOD AVE 1901 S. LITCHFIELD RD MOUNTAINTOP, PA GOODYEAR, AZ	Unless otherwise specified, dimensions are in inches & tolerances are: 0.000 = +/- 0.031 FRACTIONAL = +/- 1/32 ANGLES = +/- 1/2 DEG
	P: 800.233.8366 F: 800.526.0841 E: ADS@CORNELLIRON.COM	TITLE: WIND LOAD CONFIGURATION NON-INSULATED ROLLING STEEL DOOR CP0020 SLAT IMPACT RATED
	SIZE: B SCALE: AS NOTED SHEET: 29/46	

L'TR	REVISION	DATE	BY	E.C.O.
*	ORIGINAL ISSUE	10/15/14	TJE	1615
A	REFORMATTED TABLES; HOOD SUPPORT UPDATE	02/14/20	MAN	2027

CP0020 - 0.0296 Minimum Thickness Galvanized or Stainless Steel - 65 PSF																							
Concrete Minimum 3,000 PSI Compressive Strength (Anchors are the same diameter as assembly fasteners)																							
DBG Up To	Windlock Flat Location	Slip	Windlock	Guide Assembly	Windlock Weld Pitch	Assembly Fastener Diameter	Assembly Fastener Spacing	Hilti Kwik Bolt 3				Simpson Wedge All				Red Head Tru-Bolt				Powers Wedge-Bolt			
								Max O.C.	Embed	Min. Wall Thick.	Edge Dist	Max O.C.	Embed	Min. Wall Thick.	Edge Dist	Max O.C.	Embed	Min. Wall Thick.	Edge Dist	Max O.C.	Embed	Min. Wall Thick.	Edge Dist
4'-5"	N/A	N/A	N/A	333*	N/A	3/8	24	36	2 3/8	4	4 9/16	25	2 5/8	3 15/16	4 9/16	26	3	4 1/2	4 9/16	20	2	3	4 9/16
4'-5"	N/A	N/A	N/A	344*	N/A	3/8	24	36	2 3/8	4	5 3/4	14	2 5/8	3 15/16	5 3/4	14	3	4 1/2	5 3/4	28	3 1/2	5 1/4	5 3/4
14'-5"	1 1/2	0.656	CP1152 & CP1153	DC1	8	1/2	12	8	3 1/2	5 1/4	5 3/4	8	4 1/2	6 3/4	5 3/4	N/A				N/A			
15'-5"	1 5/8	0.781	CP1152 & CP1153	546	7	5/8	18	N/A				9	4 1/2	6 3/4	6 7/8	N/A				8	5	7 1/2	6 7/8
16'-5"	1 3/4	0.906	CP1152 & CP1153	546	7	5/8	17	N/A				9	4 1/2	6 3/4	6 7/8	N/A				8	5	7 1/2	6 7/8
17'-5"	2	1.156	CP1152 & CP1153	546	7	5/8	17	N/A				9	4 1/2	6 3/4	6 7/8	N/A				8	5	7 1/2	6 7/8
18'-5"	2	1.156	CP1152 & CP1153	546	7	5/8	16	N/A				8	4 1/2	6 3/4	6 7/8	N/A				N/A			
19'-5"	2	1.156	CP1152 & CP1153	546	6	5/8	14	N/A				7	4 1/2	6 3/4	6 7/8	N/A				N/A			
20'-5"	2	1.156	CP1152 & CP1153	546	6	5/8	13	N/A				7	4 1/2	6 3/4	6 7/8	N/A				N/A			
25'-5"	2 1/2	1.656	CP1152 & CP1153	DC2	6	3/4	15	11	4 3/4	7 1/8	7 1/2	11	5	7 1/2	7 1/2	N/A				N/A			

CP0020 - 0.0296 Minimum Thickness Galvanized or Stainless Steel - 65 PSF, Cont.																						
DBG Up To	Filled CMU												Steel (Wall anchors are the same diameter as assembly fasteners)						Superimposed Loads			
	Hilti Kwik Bolt 3				Simpson Strong-Bolt 2				Through Bolt				Welded		Through Bolt	Tapped		Vx (+)	Vy (+)	Vx (-)	Vy (-)	
	Max O.C.	Dia.	Embed	Edge Dist	Max O.C.	Dia.	Embed	Edge Dist	Max O.C.	Dia.	Edge Distance	Max O.C.	Slot Size	Max O.C.	Max O.C.	Min. Thickness						
4'-5"	14	3/8	2 1/2	4 9/16	10	3/8	2 5/8	4 9/16	25	3/8	4 9/16	36	7/16 x 5/8	36	36	3/16	0	146	0	144		
4'-5"	8	3/8	2 1/2	5 3/4	13	3/4	5 1/4	5 3/4	14	3/8	5 3/4	36	7/16 x 5/8	36	36	3/16	0	147	0	144		
14'-5"	N/A				N/A				8	1/2	5 3/4	12	9/16 x 3/4	12	12	1/4	1928	473	1906	473		
15'-5"	N/A				N/A				9	5/8	6 7/8	23	11/16 x 7/8	23	13	5/16	2000	504	1977	506		
16'-5"	N/A				N/A				9	5/8	6 7/8	22	11/16 x 7/8	22	12	5/16	2070	536	2050	538		
17'-5"	N/A				N/A				9	5/8	6 7/8	23	11/16 x 7/8	23	12	5/16	2010	566	1994	568		
18'-5"	N/A				N/A				8	5/8	6 7/8	21	11/16 x 7/8	21	11	5/16	2224	599	2209	602		
19'-5"	N/A				N/A				7	5/8	6 7/8	19	11/16 x 7/8	19	10	5/16	2441	633	2425	635		
20'-5"	N/A				N/A				7	5/8	6 7/8	17	11/16 x 7/8	17	9	5/16	2660	666	2644	668		
25'-5"	N/A				N/A				8	3/4	7 1/2	15	13/16 x 1	15	15	3/8	3147	828	3132	829		



	24 ELMWOOD AVE 1901 S. LITCHFIELD RD MOUNTAINTOP, PA GOODYEAR, AZ	Unless otherwise specified, dimensions are in inches & tolerances are: 0.000 = +/- 0.031 FRACTIONAL = +/- 1/32 ANGLES = +/- 1/2 DEG
	P: 800.233.8366 F: 800.526.0841 E: ADS@CORNELLIRON.COM	TITLE: WIND LOAD CONFIGURATION NON-INSULATED ROLLING STEEL DOOR CP0020 SLAT IMPACT RATED
SIZE: B SCALE: AS NOTED SHEET: 30/46		

L'TR	REVISION	DATE	BY	E.C.O.
*	ORIGINAL ISSUE	10/15/14	TJE	1615
A	REFORMATTED TABLES; HOOD SUPPORT UPDATE	02/14/20	MAN	2027

CP0020 - 0.0296 Minimum Thickness Galvanized or Stainless Steel - 70 PSF																							
Concrete Minimum 3,000 PSI Compressive Strength (Anchors are the same diameter as assembly fasteners)																							
DBG Up To	Windlock Flat Location	Slip	Windlock	Guide Assembly	Windlock Weld Pitch	Assembly Fastener Diameter	Assembly Fastener Spacing	Hilti Kwik Bolt 3				Simpson Wedge All				Red Head Tru-Bolt				Powers Wedge-Bolt			
								Max O.C.	Embed	Min. Wall Thick.	Edge Dist	Max O.C.	Embed	Min. Wall Thick.	Edge Dist	Max O.C.	Embed	Min. Wall Thick.	Edge Dist	Max O.C.	Embed	Min. Wall Thick.	Edge Dist
4'-5"	N/A	N/A	N/A	333*	N/A	3/8	24	36	2 3/8	4	4 9/16	23	2 5/8	3 15/16	4 9/16	24	3	4 1/2	4 9/16	18	2	3	4 9/16
4'-5"	N/A	N/A	N/A	344*	N/A	3/8	24	36	2 3/8	4	5 3/4	13	2 5/8	3 15/16	5 3/4	13	3	4 1/2	5 3/4	10	2	3	5 3/4
14'-5"	1 1/2	0.656	CP1152 & CP1153	546	7	5/8	18	N/A				9	4 1/2	6 3/4	6 7/8	N/A				7	5	7 1/2	6 7/8
15'-5"	1 5/8	0.781	CP1152 & CP1153	546	7	5/8	17	N/A				8	4 1/2	6 3/4	6 7/8	N/A				7	5	7 1/2	6 7/8
16'-5"	1 3/4	0.906	CP1152 & CP1153	546	6	5/8	16	N/A				8	4 1/2	6 3/4	6 7/8	N/A				N/A			
17'-5"	2	1.156	CP1152 & CP1153	546	7	5/8	16	N/A				8	4 1/2	6 3/4	6 7/8	N/A				N/A			
18'-5"	2	1.156	CP1152 & CP1153	546	6	5/8	14	N/A				7	4 1/2	6 3/4	6 7/8	N/A				N/A			
19'-5"	2	1.156	CP1152 & CP1153	546	6	5/8	13	N/A				7	4 1/2	6 3/4	6 7/8	N/A				N/A			
20'-5"	2 1/2	1.656	CP1152 & CP1153	648	6	3/4	18	N/A				9	5	7 1/2	7 1/2	10	6 5/8	9 15/16	7 1/2	N/A			
21'-5"	2 1/2	1.656	CP1152 & CP1153	648	6	3/4	18	N/A				8	5	7 1/2	7 1/2	8	6 5/8	9 15/16	7 1/2	N/A			
22'-5"	2 1/2	1.656	CP1152 & CP1153	648	6	3/4	18	N/A				8	5	7 1/2	7 1/2	6	6 5/8	9 15/16	7 1/2	N/A			
23'-5"	2 1/2	1.656	CP1152 & CP1153	648	6	3/4	17	N/A				7	5	7 1/2	7 1/2	5	6 5/8	9 15/16	7 1/2	N/A			
24'-5"	2 1/2	1.656	CP1152 & CP1153	648	5	3/4	16	N/A				7	5	7 1/2	7 1/2	N/A				N/A			

CP0020 - 0.0296 Minimum Thickness Galvanized or Stainless Steel - 70 PSF, Cont.																					
DBG Up To	Filled CMU												Steel (Wall anchors are the same diameter as assembly fasteners)					Superimposed Loads			
	Hilti Kwik Bolt 3				Simpson Strong-Bolt 2				Through Bolt				Welded		Through Bolt	Tapped		Vx (+)	Vy (+)	Vx (-)	Vy (-)
	Max O.C.	Dia.	Embed	Edge Dist	Max O.C.	Dia.	Embed	Edge Dist	Max O.C.	Dia.	Edge Distance	Max O.C.	Slot Size	Max O.C.	Max O.C.	Min. Thickness					
4'-5"	13	3/8	2 1/2	4 9/16	9	3/8	2 5/8	4 9/16	23	3/8	4 9/16	36	7/16 x 5/8	36	36	3/16	0	157	0	155	
4'-5"	8	1/2	3 1/2	5 3/4	12	3/4	5 1/4	5 3/4	13	3/8	5 3/4	36	7/16 x 5/8	36	36	3/16	0	158	0	155	
14'-5"	N/A				N/A				9	5/8	6 7/8	22	11/16 x 7/8	22	12	5/16	2112	508	2084	510	
15'-5"	N/A				N/A				8	5/8	6 7/8	21	11/16 x 7/8	21	11	5/16	2174	543	2150	545	
16'-5"	N/A				N/A				8	5/8	6 7/8	20	11/16 x 7/8	20	11	5/16	2247	577	2226	579	
17'-5"	N/A				N/A				8	5/8	6 7/8	21	11/16 x 7/8	21	11	5/16	2180	610	2164	612	
18'-5"	N/A				N/A				7	5/8	6 7/8	19	11/16 x 7/8	19	10	5/16	2410	646	2393	648	
19'-5"	N/A				N/A				7	5/8	6 7/8	17	11/16 x 7/8	17	9	5/16	2642	682	2625	684	
20'-5"	N/A				N/A				9	3/4	7 1/2	36	13/16 x 1	36	20	3/8	2367	714	2352	715	
21'-5"	N/A				N/A				8	3/4	7 1/2	34	13/16 x 1	34	18	3/8	2568	750	2552	750	
22'-5"	N/A				N/A				8	3/4	7 1/2	31	13/16 x 1	31	17	3/8	2771	785	2755	786	
23'-5"	N/A				N/A				7	3/4	7 1/2	29	13/16 x 1	29	16	3/8	2976	821	2961	822	
24'-5"	N/A				N/A				7	3/4	7 1/2	27	13/16 x 1	27	15	3/8	3185	857	3169	858	



	24 ELMWOOD AVE 1901 S. LITCHFIELD RD MOUNTAINTOP, PA GOODYEAR, AZ	Unless otherwise specified, dimensions are in inches & tolerances are: 0.000 = +/- 0.031 FRACTIONAL = +/- 1/32 ANGLES = +/- 1/2 DEG
	P: 800.233.8366 F: 800.526.0841 E: ADS@CORNELLIRON.COM	TITLE: WIND LOAD CONFIGURATION NON-INSULATED ROLLING STEEL DOOR CP0020 SLAT IMPACT RATED

L'TR	REVISION	DATE	BY	E.C.O.
*	ORIGINAL ISSUE	10/15/14	TJE	1615
A	REFORMATTED TABLES; HOOD SUPPORT UPDATE	02/14/20	MAN	2027

CP0020 - 0.0296 Minimum Thickness Galvanized or Stainless Steel - 80 PSF																							
Concrete Minimum 3,000 PSI Compressive Strength (Anchors are the same diameter as assembly fasteners)																							
DBG Up To	Windlock Flat Location	Slip	Windlock	Guide Assembly	Windlock Weld Pitch	Assembly Fastener Diameter	Assembly Fastener Spacing	Hilti Kwik Bolt 3				Simpson Wedge All				Red Head Tru-Bolt				Powers Wedge-Bolt			
								Max O.C.	Embed	Min. Wall Thick.	Edge Dist	Max O.C.	Embed	Min. Wall Thick.	Edge Dist	Max O.C.	Embed	Min. Wall Thick.	Edge Dist	Max O.C.	Embed	Min. Wall Thick.	Edge Dist
4'-5"	N/A	N/A	N/A	333*	N/A	3/8	24	36	2 3/8	4	4 9/16	20	2 5/8	3 15/16	4 9/16	21	3	4 1/2	4 9/16	16	2	3	4 9/16
4'-5"	N/A	N/A	N/A	344*	N/A	3/8	24	16	2 3/8	4	5 3/4	11	2 5/8	3 15/16	5 3/4	12	3	4 1/2	5 3/4	9	2	3	5 3/4
14'-5"	1 1/2	0.656	CP1152 & CP1153	546	6	5/8	15	N/A				7	4 1/2	6 3/4	6 7/8	N/A				N/A			
15'-5"	1 5/8	0.781	CP1152 & CP1153	546	6	5/8	15	N/A				7	4 1/2	6 3/4	6 7/8	N/A				N/A			
16'-5"	1 3/4	0.906	CP1152 & CP1153	546	6	5/8	14	N/A				7	4 1/2	6 3/4	6 7/8	N/A				N/A			
17'-5"	2	1.156	CP1152 & CP1153	546	6	5/8	14	N/A				7	4 1/2	6 3/4	6 7/8	N/A				N/A			
18'-5"	2 1/8	1.281	CP1152 & CP1153	648	6	3/4	18	N/A				8	5	7 1/2	7 1/2	8	6 5/8	9 15/16	7 1/2	N/A			
19'-5"	2 3/8	1.531	CP1152 & CP1153	648	6	3/4	18	N/A				8	5	7 1/2	7 1/2	8	6 5/8	9 15/16	7 1/2	N/A			
20'-5"	2 1/2	1.656	CP1152 & CP1153	648	6	3/4	18	N/A				8	5	7 1/2	7 1/2	7	6 5/8	9 15/16	7 1/2	N/A			
21'-5"	2 1/2	1.656	CP1152 & CP1153	648	6	3/4	16	N/A				7	5	7 1/2	7 1/2	5	6 5/8	9 15/16	7 1/2	N/A			

CP0020 - 0.0296 Minimum Thickness Galvanized or Stainless Steel - 80 PSF, Cont.																				
DBG Up To	Filled CMU										Steel (Wall anchors are the same diameter as assembly fasteners)						Superimposed Loads			
	Hilti Kwik Bolt 3				Simpson Strong-Bolt 2				Through Bolt		Welded		Through Bolt	Tapped		Vx (+)	Vy (+)	Vx (-)	Vy (-)	
	Max O.C.	Dia.	Embed	Edge Dist	Max O.C.	Dia.	Embed	Edge Dist	Max O.C.	Dia.	Edge Distance	Max O.C.	Slot Size	Max O.C.	Max O.C.					Min. Thickness
4'-5"	11	3/8	2 1/2	4 9/16	8	3/8	2 5/8	4 9/16	20	3/8	4 9/16	36	7/16 x 5/8	36	36	3/16	0	180	0	177
4'-5"	8	3/4	3 1/4	5 3/4	10	3/4	5 1/4	5 3/4	11	3/8	5 3/4	36	7/16 x 5/8	36	36	3/16	0	180	0	177
14'-5"	N/A				N/A				7	5/8	6 7/8	19	11/16 x 7/8	19	10	5/16	2458	581	2427	584
15'-5"	N/A				N/A				7	5/8	6 7/8	18	11/16 x 7/8	18	10	5/16	2523	621	2496	623
16'-5"	N/A				N/A				7	5/8	6 7/8	18	11/16 x 7/8	18	10	5/16	2602	660	2578	662
17'-5"	N/A				N/A				7	5/8	6 7/8	18	11/16 x 7/8	18	10	5/16	2522	698	2503	700
18'-5"	N/A				N/A				8	3/4	7 1/2	33	13/16 x 1	33	18	3/8	2637	739	2612	740
19'-5"	N/A				N/A				8	3/4	7 1/2	33	13/16 x 1	33	18	3/8	2615	777	2596	778
20'-5"	N/A				N/A				8	3/4	7 1/2	32	13/16 x 1	32	17	3/8	2727	816	2709	817
21'-5"	N/A				N/A				7	3/4	7 1/2	29	13/16 x 1	29	16	3/8	2954	857	2936	858



	24 ELMWOOD AVE 1901 S. LITCHFIELD RD MOUNTAINTOP, PA GOODYEAR, AZ	Unless otherwise specified, dimensions are in inches & tolerances are:
	P: 800.233.8366 F: 800.526.0841 E: ADS@CORNELLIRON.COM	0.000 = +/- 0.031 FRACTIONAL = +/- 1/32 ANGLES = +/- 1/2 DEG
TITLE: WIND LOAD CONFIGURATION NON-INSULATED ROLLING STEEL DOOR CP0020 SLAT IMPACT RATED	DRAWN BY: TJE	SIZE: B
	SCALE: AS NOTED	SHEET: 32/46
	DWG NO: ES-16-60-CIW	

L'TR	REVISION	DATE	BY	E.C.O.
*	ORIGINAL ISSUE	10/15/14	TJE	1615
A	REFORMATTED TABLES; HOOD SUPPORT UPDATE	02/14/20	MAN	2027

CP0020 - 0.0296 Minimum Thickness Galvanized or Stainless Steel - 90 PSF																							
Concrete Minimum 3,000 PSI Compressive Strength (Anchors are the same diameter as assembly fasteners)																							
DBG Up To	Windlock Flat Location	Slip	Windlock	Guide Assembly	Windlock Weld Pitch	Assembly Fastener Diameter	Assembly Fastener Spacing	Hilti Kwik Bolt 3				Simpson Wedge All				Red Head Tru-Bolt				Powers Wedge-Bolt			
								Max O.C.	Embed	Min. Wall Thick.	Edge Dist	Max O.C.	Embed	Min. Wall Thick.	Edge Dist	Max O.C.	Embed	Min. Wall Thick.	Edge Dist	Max O.C.	Embed	Min. Wall Thick.	Edge Dist
4'-5"	N/A	N/A	CP0417	333*	N/A	3/8	24	36	2 3/8	4	4 9/16	18	2 5/8	3 15/16	4 9/16	18	3	4 1/2	4 9/16	14	2	3	4 9/16
4'-5"	N/A	N/A	CP0417	344*	12	3/8	24	11	2 3/8	5	5 3/4	10	2 5/8	3 15/16	5 3/4	10	3	4 1/2	5 3/4	20	3 1/2	5 1/4	5 3/4
14'-5"	1 1/2	0.656	CP1152 & CP1153	648	6	3/4	18	N/A				6	4 1/2	6 3/4	6 7/8	N/A				N/A			
15'-5"	1 5/8	0.781	CP1152 & CP1153	648	6	3/4	18	N/A				8	5	7 1/2	7 1/2	7	6 5/8	9 15/16	7 1/2	N/A			
16'-5"	1 3/4	0.906	CP1152 & CP1153	648	6	3/4	18	N/A				8	5	7 1/2	7 1/2	6	6 5/8	9 15/16	7 1/2	N/A			
17'-5"	2	1.156	CP1152 & CP1153	648	6	3/4	18	N/A				8	5	7 1/2	7 1/2	6	6 5/8	9 15/16	7 1/2	N/A			
18'-5"	2 1/8	1.281	CP1152 & CP1153	648	6	3/4	17	N/A				7	5	7 1/2	7 1/2	5	6 5/8	9 15/16	7 1/2	N/A			
19'-5"	2 3/8	1.531	CP1152 & CP1153	648	6	3/4	16	N/A				7	5	7 1/2	7 1/2	5	6 5/8	9 15/16	7 1/2	N/A			
20'-5"	2 1/2	1.656	CP1152 & CP1153	648	5	3/4	16	N/A				7	5	7 1/2	7 1/2	N/A				N/A			

CP0020 - 0.0296 Minimum Thickness Galvanized or Stainless Steel - 90 PSF, Cont.																					
DBG Up To	Filled CMU												Steel (Wall anchors are the same diameter as assembly fasteners)					Superimposed Loads			
	Hilti Kwik Bolt 3				Simpson Strong-Bolt 2				Through Bolt				Welded		Through Bolt	Tapped		Vx (+)	Vy (+)	Vx (-)	Vy (-)
	Max O.C.	Dia.	Embed	Edge Dist	Max O.C.	Dia.	Embed	Edge Dist	Max O.C.	Dia.	Edge Distance	Max O.C.	Slot Size	Max O.C.	Max O.C.	Min. Thickness					
4'-5"	10	3/8	2 1/2	4 9/16	8	1/2	3 1/2	4 9/16	18	3/8	4 9/16	36	7/16 x 5/8	36	36	3/16	0	202	0	199	
4'-5"	12	3/4	4 3/8	5 3/4	9	3/4	5 1/4	5 3/4	10	3/8	5 3/4	36	7/16 x 5/8	36	36	3/16	0	203	0	199	
14'-5"	N/A				N/A				6	3/4	6 7/8	31	11/16 x 7/8	31	17	3/8	2819	657	2772	658	
15'-5"	N/A				N/A				8	3/4	7 1/2	30	13/16 x 1	30	16	3/8	2886	701	2845	702	
16'-5"	N/A				N/A				8	3/4	7 1/2	29	13/16 x 1	29	16	3/8	2970	745	2933	746	
17'-5"	N/A				N/A				8	3/4	7 1/2	30	13/16 x 1	30	16	3/8	2875	787	2845	788	
18'-5"	N/A				N/A				7	3/4	7 1/2	29	13/16 x 1	29	16	3/8	2989	832	2962	833	
19'-5"	N/A				N/A				7	3/4	7 1/2	29	13/16 x 1	29	16	3/8	2963	875	2941	876	
20'-5"	N/A				N/A				7	3/4	7 1/2	28	13/16 x 1	28	15	3/8	3086	919	3067	920	



	24 ELMWOOD AVE 1901 S. LITCHFIELD RD MOUNTAINTOP, PA GOODYEAR, AZ	Unless otherwise specified, dimensions are in inches & tolerances are: 0.000 = +/- 0.031 FRACTIONAL = +/- 1/32 ANGLES = +/- 1/2 DEG
	P: 800.233.8366 F: 800.526.0841 E: ADS@CORNELLIRON.COM	TITLE: WIND LOAD CONFIGURATION NON-INSULATED ROLLING STEEL DOOR CP0020 SLAT IMPACT RATED

L'TR	REVISION	DATE	BY	E.C.O.
*	ORIGINAL ISSUE	10/15/14	TJE	1615
A	REFORMATTED TABLES; HOOD SUPPORT UPDATE	02/14/20	MAN	2027

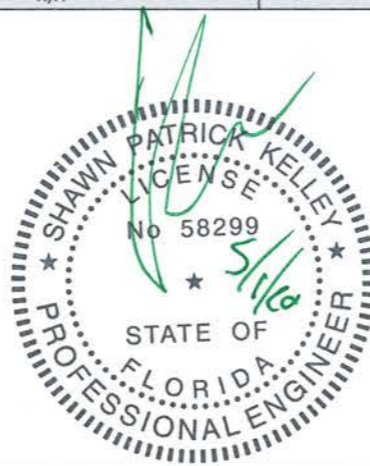
CP0020 - 0.0405 Minimum Thickness Galvanized or Stainless Steel - 20 PSF																							
Concrete Minimum 3,000 PSI Compressive Strength (Anchors are the same diameter as assembly fasteners)																							
DBG Up To	Windlock Flat Location	Slip	Windlock	Guide Assembly	Windlock Weld Pitch	Assembly Fastener Diameter	Assembly Fastener Spacing	Hilti Kwik Bolt 3				Simpson Wedge All				Red Head Tru-Bolt				Powers Wedge-Bolt			
								Max O.C.	Embed	Min. Wall Thick.	Edge Dist	Max O.C.	Embed	Min. Wall Thick.	Edge Dist	Max O.C.	Embed	Min. Wall Thick.	Edge Dist	Max O.C.	Embed	Min. Wall Thick.	Edge Dist
10'-5"	N/A	N/A	N/A	333*	N/A	3/8	24	36	2 3/8	4	4 9/16	35	2 5/8	3 15/16	4 9/16	36	3	4 1/2	4 9/16	27	2	3	4 9/16
10'-5"	N/A	N/A	N/A	344*	N/A	3/8	24	36	2 3/8	4	5 3/4	20	2 5/8	3 15/16	5 3/4	20	3	4 1/2	5 3/4	36	3 1/2	5 1/4	5 3/4
13'-5"	1 5/16	0.532	CP1151	333	12	3/8	18	36	2 3/8	4	5 3/16	23	2 5/8	3 15/16	5 3/16	24	3	4 1/2	5 3/16	31	3 1/2	5 1/4	5 3/16
13'-5"	1 5/16	0.532	CP1151	344	12	1/2	18	36	2 1/4	4	5 3/4	36	4 1/2	6 3/4	5 3/4	36	4 1/8	6 3/16	5 3/4	36	3 1/2	5 1/4	5 3/4
14'-5"	1 7/16	0.657	CP1151	333	12	3/8	18	36	2 3/8	4	5 3/16	18	2 5/8	3 15/16	5 3/16	18	3	4 1/2	5 3/16	24	3 1/2	5 1/4	5 3/16
14'-5"	1 7/16	0.657	CP1151	344	12	1/2	18	36	2 1/4	4	5 3/4	36	4 1/2	6 3/4	5 3/4	35	4 1/8	6 3/16	5 3/4	29	3 1/2	5 1/4	5 3/4
15'-5"	1 1/2	0.719	CP1151	333	12	3/8	18	36	2 3/8	4	5 3/16	14	2 5/8	3 15/16	5 3/16	14	3	4 1/2	5 3/16	9	2	3	5 3/16
15'-5"	1 1/2	0.719	CP1151	344	12	1/2	18	36	2 1/4	4	5 3/4	34	4 1/2	6 3/4	5 3/4	27	4 1/8	6 3/16	5 3/4	15	2 1/2	3 3/4	5 3/4
16'-5"	1 1/2	0.719	CP1151	333	12	3/8	18	16	2 3/8	5	5 3/16	11	2 5/8	3 15/16	5 3/16	11	3	4 1/2	5 3/16	7	2	3	5 3/16
16'-5"	1 1/2	0.719	CP1151	344	12	1/2	18	16	2 1/4	4	5 3/4	26	4 1/2	6 3/4	5 3/4	21	4 1/8	6 3/16	5 3/4	12	2 1/2	3 3/4	5 3/4
17'-5"	1 1/2	0.719	CP1151	333	12	3/8	17	N/A				9	2 5/8	3 15/16	5 3/16	9	3	4 1/2	5 3/16	5	2	3	5 3/16
17'-5"	1 1/2	0.719	CP1151	344	12	1/2	18	36	3 5/8	6	5 3/4	22	4 1/2	6 3/4	5 3/4	17	4 1/8	6 3/16	5 3/4	10	2 1/2	3 3/4	5 3/4
18'-5"	1 1/2	0.719	CP1151	334	12	3/8	15	N/A				8	2 5/8	3 15/16	5 7/16	8	3	4 1/2	5 7/16	5	2	3	5 7/16
18'-5"	1 1/2	0.719	CP1151	344	12	1/2	18	36	3 5/8	6	5 3/4	18	4 1/2	6 3/4	5 3/4	15	4 1/8	6 3/16	5 3/4	8	2 1/2	3 3/4	5 3/4
19'-5"	1 1/2	0.719	CP1151	334	11	3/8	13	N/A				7	2 5/8	3 15/16	5 7/16	7	3	4 1/2	5 7/16	4	2	3	5 7/16
19'-5"	1 1/2	0.719	CP1151	344	11	1/2	18	36	3 5/8	6	5 3/4	16	4 1/2	6 3/4	5 3/4	13	4 1/8	6 3/16	5 3/4	7	2 1/2	3 3/4	5 3/4
20'-5"	1 1/2	0.656	CP1152	334	10	3/8	11	N/A				6	2 5/8	3 15/16	5 7/16	6	3	4 1/2	5 7/16	4	2 1/2	3 3/4	5 7/16
20'-5"	1 1/2	0.656	CP1152	344	10	1/2	18	28	3 5/8	6	5 3/4	14	4 1/2	6 3/4	5 3/4	11	4 1/8	6 3/16	5 3/4	6	2 1/2	3 3/4	5 3/4
21'-5"	1 1/2	0.656	CP1152	334	10	3/8	10	N/A				5	2 5/8	3 15/16	5 7/16	N/A				4	2 1/2	3 3/4	5 7/16
21'-5"	1 1/2	0.656	CP1152	344	10	1/2	18	36	3 5/8	8	5 3/4	12	4 1/2	6 3/4	5 3/4	10	4 1/8	6 3/16	5 3/4	8	3 1/2	5 1/4	5 3/4
22'-5"	1 1/2	0.656	CP1152	344	9	1/2	18	28	3 5/8	8	5 3/4	11	4 1/2	6 3/4	5 3/4	9	4 1/8	6 3/16	5 3/4	7	3 1/2	5 1/4	5 3/4
23'-5"	2	1.219	CP1151	444	11	5/8	18	36	4 3/8	6	6 1/4	18	4 1/2	6 3/4	6 1/4	15	5 1/8	7 11/16	6 1/4	7	3	4 1/2	6 1/4
24'-5"	2	1.156	CP1152	444	10	5/8	18	36	4 3/8	6	6 1/4	16	4 1/2	6 3/4	6 1/4	14	5 1/8	7 11/16	6 1/4	10	4	6	6 1/4
25'-5"	2	1.156	CP1152	444	10	5/8	18	22	4 3/8	6	6 1/4	15	4 1/2	6 3/4	6 1/4	13	5 1/8	7 11/16	6 1/4	9	4	6	6 1/4
26'-5"	2	1.156	CP1152	445	9	5/8	18	36	4 3/8	6	6 13/16	16	4 1/2	6 3/4	6 13/16	14	7 1/2	11 1/4	6 13/16	10	4	6	6 13/16
27'-5"	2	1.156	CP1152	445	9	5/8	18	28	4 3/8	6	6 13/16	15	4 1/2	6 3/4	6 13/16	13	7 1/2	11 1/4	6 13/16	9	4	6	6 13/16
28'-5"	2	1.156	CP1152	445	9	5/8	18	36	4 3/8	8	6 13/16	14	4 1/2	6 3/4	6 13/16	13	7 1/2	11 1/4	6 13/16	9	4	6	6 13/16
29'-5"	2	1.156	CP1152	445	8	5/8	18	36	4 3/8	8	6 13/16	13	4 1/2	6 3/4	6 13/16	12	7 1/2	11 1/4	6 13/16	8	4	6	6 13/16
30'-5"	2	1.156	CP1152	445	8	5/8	18	28	4 3/8	8	6 13/16	12	4 1/2	6 3/4	6 13/16	11	7 1/2	11 1/4	6 13/16	8	4	6	6 13/16
31'-5"	2	1.156	CP1152	445	8	5/8	18	22	4 3/8	8	6 13/16	12	4 1/2	6 3/4	6 13/16	N/A				7	4	6	6 13/16
32'-5"	2	1.156	CP1152 & CP1153	445	8	5/8	18	N/A				11	4 1/2	6 3/4	6 13/16	N/A				10	5	7 1/2	6 13/16
33'-5"	2	1.156	CP1152 & CP1153	445	7	5/8	18	N/A				11	4 1/2	6 3/4	6 13/16	N/A				9	5	7 1/2	6 13/16
34'-5"	2	1.156	CP1152 & CP1153	445	7	5/8	18	N/A				10	4 1/2	6 3/4	6 13/16	N/A				9	5	7 1/2	6 13/16
35'-5"	2	1.156	CP1152 & CP1153	546	7	5/8	18	N/A				10	4 1/2	6 3/4	6 7/8	N/A				8	5	7 1/2	6 7/8
36'-5"	2	1.156	CP1152 & CP1153	546	7	5/8	18	N/A				9	4 1/2	6 3/4	6 7/8	N/A				8	5	7 1/2	6 7/8
37'-5"	2	1.156	CP1152 & CP1153	546	7	5/8	18	N/A				9	4 1/2	6 3/4	6 7/8	N/A				8	5	7 1/2	6 7/8
38'-5"	2	1.156	CP1152 & CP1153	546	7	5/8	18	N/A				8	4 1/2	6 3/4	6 7/8	N/A				7	5	7 1/2	6 7/8
39'-5"	2	1.156	CP1152 & CP1153	546	6	5/8	17	N/A				8	4 1/2	6 3/4	6 7/8	N/A				7	5	7 1/2	6 7/8
40'-5"	2	1.156	CP1152 & CP1153	546	6	5/8	16	N/A				8	4 1/2	6 3/4	6 7/8	N/A				N/A			



	24 ELMWOOD AVE 1901 S. LITCHFIELD RD MOUNTAINTOP, PA GOODYEAR, AZ	Unless otherwise specified, dimensions are in inches & tolerances are: 0.000 = +/- 0.031 FRACTIONAL = +/- 1/32 ANGLES = +/- 1/2 DEG
	P: 800.233.8366 F: 800.526.0841 E: ADS@CORNELLIRON.COM	TITLE: WIND LOAD CONFIGURATION NON-INSULATED ROLLING STEEL DOOR CP0020 SLAT IMPACT RATED
	SIZE: B SCALE: AS NOTED SHEET: 34/46	

L'TR	REVISION	DATE	BY	E.C.O.
*	ORIGINAL ISSUE	10/15/14	TJE	1615
A	REFORMATTED TABLES; HOOD SUPPORT UPDATE	02/14/20	MAN	2027

CP0020 - 0.0405 Minimum Thickness Galvanized or Stainless Steel - 20 PSF, Cont.																																			
DBG Up To	Filled CMU												Cracked Concrete Minimum 3,000 PSI Compressive Strength												Steel (Wall anchors are the same diameter as assembly fasteners)			Superimposed Loads							
	Hilti Kwik Bolt 3				Simpson Strong-Bolt 2				Through Bolt				Hilti Kwik Bolt TZ				Simpson Strong-Bolt 2				ITW Redhead Trubolt+				Welded		Through Bolt	Tapped		Vx (+)	Vy (+)	Vx (-)	Vy (-)		
	Max O.C.	Dia.	Embed	Edge Dist	Max O.C.	Dia.	Embed	Edge Dist	Max O.C.	Dia.	Edge Distance	Max O.C.	Dia.	Embed.	Min Wall Thick.	Edge Dist	Max O.C.	Dia.	Embed.	Min Wall Thick.	Edge Dist	Max O.C.	Dia.	Embed.	Min Wall Thick.	Edge Dist	Max O.C.	Slot Size	Max O.C.					Max O.C.	Min. Thickness
10'-5"	8	3/8	1 5/8	4 9/16	13	3/8	2 5/8	4 9/16	35	3/8	4 9/16	36	3/8	2 5/16	4	4 9/16	36	3/8	1 7/8	3 1/4	4 9/16	36	3/8	2	4	4 9/16	36	7/16 x 5/8	36	36	3/16	0	105	0	105
10'-5"	11	3/8	2 1/2	5 3/4	9	1/2	3 1/2	5 3/4	20	3/8	5 3/4	7 1/8	3/8	2 5/16	4	5 3/4	36	3/8	2 7/8	4 1/2	5 3/4	22 3/4	3/8	2	5	5 3/4	36	7/16 x 5/8	36	36	3/16	0	105	0	105
13'-5"	14	3/8	2 1/2	5 3/16	10	3/8	2 5/8	5 3/16	23	3/8	5 3/16	28 1/2	3/8	2 5/16	4	5 3/16	14 1/4	3/8	1 7/8	3 1/4	5 3/16	36	3/8	2	5	5 3/16	36	7/16 x 5/8	36	36	3/16	207	135	195	135
13'-5"	14	1/2	2 1/4	5 3/4	14	1/2	3 1/2	5 3/4	36	1/2	5 3/4	19	1/2	2 3/8	4	5 3/4	36	1/2	2 3/4	4 1/2	5 3/4	36	1/2	2 1/2	4	5 3/4	36	9/16 x 3/4	36	36	1/4	210	135	195	135
14'-5"	11	3/8	2 1/2	5 3/16	9	1/2	3 1/2	5 3/16	18	3/8	5 3/16	36	1/2	3 5/8	6	5 3/16	36	3/8	2 7/8	4 1/2	5 3/16	36	1/2	2 1/2	4	5 3/16	36	7/16 x 5/8	36	33	3/16	272	145	261	145
14'-5"	11	1/2	2 1/4	5 3/4	11	1/2	3 1/2	5 3/4	36	1/2	5 3/4	36	1/2	3 5/8	6	5 3/4	36	1/2	2 3/4	4 1/2	5 3/4	36	1/2	2 1/2	4	5 3/4	36	9/16 x 3/4	36	36	1/4	274	145	261	145
15'-5"	8	3/8	2 1/2	5 3/16	12	3/4	5 1/4	5 3/16	14	3/8	5 3/16	36	1/2	3 5/8	6	5 3/16	36	3/8	2 7/8	4 1/2	5 3/16	14 1/4	1/2	2 1/2	4	5 3/16	36	7/16 x 5/8	36	25	3/16	361	155	352	155
15'-5"	8	1/2	2 1/4	5 3/4	8	1/2	3 1/2	5 3/4	34	1/2	5 3/4	36	1/2	3 5/8	6	5 3/4	36	1/2	2 3/4	4 1/2	5 3/4	36	1/2	2 1/2	4	5 3/4	36	9/16 x 3/4	36	36	1/4	363	155	352	155
16'-5"	8	3/4	3 1/4	5 3/16	10	3/4	5 1/4	5 3/16	11	3/8	5 3/16	36	1/2	3 5/8	8	5 3/16	28 1/2	1/2	3 7/8	6	5 3/16	19	1/2	3 3/4	8	5 3/16	29	7/16 x 5/8	29	19	3/16	475	165	467	165
16'-5"	9	1/2	3 1/2	5 3/4	12	3/4	5 1/4	5 3/4	26	1/2	5 3/4	36	1/2	3 5/8	6	5 3/4	28 1/2	1/2	2 3/4	4 1/2	5 3/4	16 1/4	1/2	3 3/4	6	5 3/4	36	9/16 x 3/4	36	28	1/4	477	165	467	165
17'-5"	10	3/4	4 3/8	5 3/16	8	3/4	5 1/4	5 3/16	9	3/8	5 3/16	36	3/4	5 9/16	8	5 3/16	22 3/4	3/4	4 1/8	6 3/4	5 3/16	22 3/4	3/4	4 3/8	7	5 3/16	23	7/16 x 5/8	23	15	3/16	584	175	576	175
17'-5"	8	1/2	3 1/2	5 3/4	9	3/4	5 1/4	5 3/4	22	1/2	5 3/4	36	1/2	3 5/8	8	5 3/4	28 1/2	1/2	3 7/8	6	5 3/4	19	1/2	3 3/4	8	5 3/4	36	9/16 x 3/4	36	23	1/4	585	175	576	175
18'-5"	9	3/4	4 3/8	5 7/16	N/A				8	3/8	5 7/16	36	3/4	5 9/16	8	5 7/16	16 1/4	3/4	4 1/8	6 3/4	5 7/16	16 1/4	3/4	4 3/8	7	5 7/16	20	7/16 x 5/8	20	13	3/16	689	185	681	185
18'-5"	10	3/4	4 3/8	5 3/4	8	3/4	5 1/4	5 3/4	18	1/2	5 3/4	36	3/4	5 9/16	8	5 3/4	28 1/2	3/4	4 1/8	6 3/4	5 3/4	28 1/2	3/4	4 3/8	7	5 3/4	36	9/16 x 3/4	36	20	1/4	690	185	681	185
19'-5"	8	3/4	4 3/8	5 7/16	N/A				7	3/8	5 7/16	36	3/4	5 9/16	8	5 7/16	36	3/4	5 3/4	8 3/4	5 7/16	19	3/4	4 3/8	8	5 7/16	17	7/16 x 5/8	17	11	3/16	792	195	784	195
19'-5"	9	3/4	4 3/8	5 3/4	N/A				16	1/2	5 3/4	36	3/4	5 9/16	8	5 3/4	36	3/4	5 3/4	8 3/4	5 3/4	36	3/4	4 3/8	8	5 3/4	31	9/16 x 3/4	31	17	1/4	793	195	784	195
20'-5"	N/A				N/A				6	3/8	5 7/16	N/A				N/A				N/A				14	7/16 x 5/8	14	9	3/16	945	205	938	206			
20'-5"	8	3/4	4 3/8	5 3/4	N/A				14	1/2	5 3/4	22 3/4	3/4	5 9/16	8	5 3/4	36	3/4	5 3/4	8 3/4	5 3/4	N/A				26	9/16 x 3/4	26	14	1/4	947	206	938	206	
21'-5"	N/A				N/A				5	3/8	5 7/16	N/A				N/A				N/A				13	7/16 x 5/8	13	8	3/16	1049	216	1042	216			
21'-5"	N/A				N/A				12	1/2	5 3/4	N/A				N/A				N/A				23	9/16 x 3/4	23	13	1/4	1050	216	1042	216			
22'-5"	N/A				N/A				11	1/2	5 3/4	N/A				N/A				N/A				21	9/16 x 3/4	21	12	1/4	1154	226	1145	226			
23'-5"	8	3/4	4 3/8	6 1/4	N/A				18	5/8	6 1/4	28 1/2	3/4	5 9/16	8	6 1/4	22 3/4	5/8	5 1/8	7 7/8	6 1/4	28 1/2	5/8	4 3/4	6 1/4	6 1/4	36	11/16 x 7/8	36	25	5/16	876	234	871	235
24'-5"	N/A				N/A				16	5/8	6 1/4	N/A				N/A				N/A				36	11/16 x 7/8	36	22	5/16	986	244	980	245			
25'-5"	N/A				N/A				15	5/8	6 1/4	N/A				N/A				N/A				36	11/16 x 7/8	36	21	5/16	1067	255	1061	255			
26'-5"	N/A				N/A				16	5/8	6 13/16	N/A				36	3/4	5 3/4	8 3/4	6 13/16	N/A				36	11/16 x 7/8	36	23	5/16	1148	265	1142	265		
27'-5"	N/A				N/A				15	5/8	6 13/16	N/A				N/A				N/A				36	11/16 x 7/8	36	22	5/16	1229	275	1224	275			
28'-5"	N/A				N/A				14	5/8	6 13/16	N/A				N/A				N/A				36	11/16 x 7/8	36	20	5/16	1311	285	1305	285			
29'-5"	N/A				N/A				13	5/8	6 13/16	N/A				N/A				N/A				35	11/16 x 7/8	35	19	5/16	1394	295	1388	296			
30'-5"	N/A				N/A				12	5/8	6 13/16	N/A				N/A				N/A				33	11/16 x 7/8	33	18	5/16	1476	305	1471	306			
31'-5"	N/A				N/A				12	5/8	6 13/16	N/A				N/A				N/A				31	11/16 x 7/8	31	17	5/16	1560	315	1554	316			
32'-5"	N/A				N/A				11	5/8	6 13/16	N/A				N/A				N/A				29	11/16 x 7/8	29	16	5/16	1644	325	1638	326			
33'-5"	N/A				N/A				11	5/8	6 13/16	N/A				N/A				N/A				28	11/16 x 7/8	28	15	5/16	1729	336	1723	336			
34'-5"	N/A				N/A				10	5/8	6 13/16	N/A				N/A				N/A				27	11/16 x 7/8	27	15	5/16	1815	346	1809	346			
35'-5"	N/A				N/A				10	5/8	6 7/8	N/A				N/A				N/A				24	11/16 x 7/8	24	13	5/16	1902	356	1895	357			
36'-5"	N/A				N/A				9	5/8	6 7/8	N/A				N/A				N/A				23	11/16 x 7/8	23	13	5/16	1989	366	1983	367			
37'-5"	N/A				N/A				9	5/8	6 7/8	N/A				N/A				N/A				22	11/16 x 7/8	22	12	5/16	2077	376	2071	377			
38'-5"	N/A				N/A				8	5/8	6 7/8	N/A				N/A				N/A				21	11/16 x 7/8	21	11	5/16	2167	387	2160	387			
39'-5"	N/A				N/A				8	5/8	6 7/8	N/A				N/A				N/A				20	11/16 x 7/8	20	11	5/16	2257	397	2250	398			
40'-5"	N/A				N/A				8	5/8	6 7/8	N/A				N/A				N/A				19	11/16 x 7/8	19	11	5/16	2348	407	2341	408			



	24 ELMWOOD AVE 1901 S. LITCHFIELD RD MOUNTAINTOP, PA GOODYEAR, AZ		Unless otherwise specified, dimensions are in inches & tolerances are:		
	P: 800.233.8366 F: 800.526.0841 E: ADS@CORNELLIRON.COM		0.000 = +/- 0.031 FRACTIONAL = +/- 1/32 ANGLES = +/- 1/2 DEG		
TITLE: WIND LOAD CONFIGURATION NON-INSULATED ROLLING STEEL DOOR CP0020 SLAT IMPACT RATED		DRAWN BY: TJE	SIZE: B	SCALE: AS NOTED	SHEET: 35/46
		DWG NO: ES-16-60-CIW			

L'TR	REVISION	DATE	BY	E.C.O.
*	ORIGINAL ISSUE	10/15/14	TJE	1615
A	REFORMATTED TABLES; HOOD SUPPORT UPDATE	02/14/20	MAN	2027

CP0020 - 0.0405 Minimum Thickness Galvanized or Stainless Steel - 30 PSF																							
Concrete Minimum 3,000 PSI Compressive Strength (Anchors are the same diameter as assembly fasteners)																							
DBG Up To	Windlock Flat Location	Slip	Windlock	Guide Assembly	Windlock Weld Pitch	Assembly Fastener Diameter	Assembly Fastener Spacing	Hilti Kwik Bolt 3				Simpson Wedge All				Red Head Tru-Bolt				Powers Wedge-Bolt			
								Max O.C.	Embed	Min. Wall Thick.	Edge Dist	Max O.C.	Embed	Min. Wall Thick.	Edge Dist	Max O.C.	Embed	Min. Wall Thick.	Edge Dist	Max O.C.	Embed	Min. Wall Thick.	Edge Dist
7'-5"	N/A	N/A	N/A	333*	N/A	3/8	24	36	2 3/8	4	4 9/16	32	2 5/8	3 15/16	4 9/16	33	3	4 1/2	4 9/16	26	2	3	4 9/16
7'-5"	N/A	N/A	N/A	344*	N/A	3/8	24	36	2 3/8	4	5 3/4	18	2 5/8	3 15/16	5 3/4	19	3	4 1/2	5 3/4	36	3 1/2	5 1/4	5 3/4
13'-5"	1 5/16	0.532	CP1151	333	12	3/8	17	N/A				9	2 5/8	3 15/16	5 3/16	9	3	4 1/2	5 3/16	12	3 1/2	5 1/4	5 3/16
13'-5"	1 5/16	0.532	CP1151	344	12	1/2	18	36	3 5/8	6	5 3/4	23	4 1/2	6 3/4	5 3/4	18	4 1/8	6 3/16	5 3/4	15	3 1/2	5 1/4	5 3/4
14'-5"	1 7/16	0.657	CP1151	334	12	3/8	15	N/A				9	2 5/8	3 15/16	5 7/16	9	3	4 1/2	5 7/16	11	3 1/2	5 1/4	5 7/16
14'-5"	1 7/16	0.657	CP1151	344	12	1/2	18	36	3 5/8	6	5 3/4	20	4 1/2	6 3/4	5 3/4	16	4 1/8	6 3/16	5 3/4	13	3 1/2	5 1/4	5 3/4
15'-5"	1 1/2	0.719	CP1151	334	12	3/8	13	N/A				8	2 5/8	3 15/16	5 7/16	8	3	4 1/2	5 7/16	5	2	3	5 7/16
15'-5"	1 1/2	0.719	CP1151	344	12	1/2	18	36	3 5/8	6	5 3/4	17	4 1/2	6 3/4	5 3/4	14	4 1/8	6 3/16	5 3/4	8	2 1/2	3 3/4	5 3/4
16'-5"	1 1/2	0.719	CP1151	334	11	3/8	11	N/A				6	2 5/8	3 15/16	5 7/16	6	3	4 1/2	5 7/16	5	2 1/2	3 3/4	5 7/16
16'-5"	1 1/2	0.719	CP1151	344	11	1/2	18	36	3 5/8	6	5 3/4	14	4 1/2	6 3/4	5 3/4	12	4 1/8	6 3/16	5 3/4	6	2 1/2	3 3/4	5 3/4
17'-5"	1 1/2	0.656	CP1152	334	10	3/8	9	N/A				5	2 5/8	3 15/16	5 7/16	N/A				6	3 1/2	5 1/4	5 7/16
17'-5"	1.5	0.656	CP1152	344	10	1/2	18	36	3.625	8	5.75	12	4.5	6.75	5.75	9	4.125	6.1875	5.75	8	3.5	5.25	5.75
18'-5"	2	1.219	CP1151	444	11	5/8	18	36	4 3/8	6	6 1/4	18	4 1/2	6 3/4	6 1/4	16	5 1/8	7 11/16	6 1/4	7	3	4 1/2	6 1/4
19'-5"	2	1.156	CP1152	444	10	5/8	18	28	4 3/8	6	6 1/4	16	4 1/2	6 3/4	6 1/4	14	5 1/8	7 11/16	6 1/4	10	4	6	6 1/4
20'-5"	2	1.156	CP1152	445	10	5/8	18	36	4 3/8	6	6 13/16	16	4 1/2	6 3/4	6 13/16	15	7 1/2	11 1/4	6 13/16	10	4	6	6 13/16
21'-5"	2	1.156	CP1152	445	9	5/8	18	28	4 3/8	6	6 13/16	15	4 1/2	6 3/4	6 13/16	13	7 1/2	11 1/4	6 13/16	9	4	6	6 13/16
22'-5"	2	1.156	CP1152	445	9	5/8	18	36	4 3/8	8	6 13/16	14	4 1/2	6 3/4	6 13/16	12	7 1/2	11 1/4	6 13/16	9	4	6	6 13/16
23'-5"	2	1.156	CP1152	445	8	5/8	18	28	4 3/8	8	6 13/16	12	4 1/2	6 3/4	6 13/16	11	7 1/2	11 1/4	6 13/16	8	4	6	6 13/16
24'-5"	2	1.156	CP1152	445	8	5/8	18	N/A				12	4 1/2	6 3/4	6 13/16	N/A				7	4	6	6 13/16
25'-5"	2	1.156	CP1152 & CP1153	445	8	5/8	18	N/A				11	4 1/2	6 3/4	6 13/16	N/A				9	5	7 1/2	6 13/16
26'-5"	2	1.156	CP1152 & CP1153	546	7	5/8	18	N/A				10	4 1/2	6 3/4	6 7/8	N/A				9	5	7 1/2	6 7/8
27'-5"	2	1.156	CP1152 & CP1153	546	7	5/8	18	N/A				10	4 1/2	6 3/4	6 7/8	N/A				8	5	7 1/2	6 7/8
28'-5"	2	1.156	CP1152 & CP1153	546	7	5/8	18	N/A				9	4 1/2	6 3/4	6 7/8	N/A				8	5	7 1/2	6 7/8
29'-5"	2	1.156	CP1152 & CP1153	546	7	5/8	17	N/A				8	4 1/2	6 3/4	6 7/8	N/A				7	5	7 1/2	6 7/8
30'-5"	2	1.156	CP1152 & CP1153	546	6	5/8	16	N/A				8	4 1/2	6 3/4	6 7/8	N/A				N/A			
31'-5"	2	1.156	CP1152 & CP1153	546	6	5/8	16	N/A				8	4 1/2	6 3/4	6 7/8	N/A				N/A			
32'-5"	2	1.156	CP1152 & CP1153	546	6	5/8	15	N/A				7	4 1/2	6 3/4	6 7/8	N/A				N/A			
33'-5"	2	1.156	CP1152 & CP1153	546	6	5/8	14	N/A				7	4 1/2	6 3/4	6 7/8	N/A				N/A			
34'-5"	2	1.156	CP1152 & CP1153	648	6	3/4	18	N/A				7	4 1/2	6 3/4	6 7/8	N/A				N/A			
35'-5"	2 1/2	1.656	CP1152 & CP1153	648	6	3/4	18	N/A				9	5	7 1/2	7 1/2	10	6 5/8	9 15/16	7 1/2	N/A			
36'-5"	2 1/2	1.656	CP1152 & CP1153	648	6	3/4	18	N/A				9	5	7 1/2	7 1/2	10	6 5/8	9 15/16	7 1/2	N/A			
37'-5"	2 1/2	1.656	CP1152 & CP1153	648	6	3/4	18	N/A				8	5	7 1/2	7 1/2	9	6 5/8	9 15/16	7 1/2	N/A			
38'-5"	2 1/2	1.656	CP1152 & CP1153	648	6	3/4	18	N/A				8	5	7 1/2	7 1/2	8	6 5/8	9 15/16	7 1/2	N/A			
39'-5"	2 1/2	1.656	CP1152 & CP1153	648	6	3/4	18	N/A				8	5	7 1/2	7 1/2	7	6 5/8	9 15/16	7 1/2	N/A			
40'-5"	2 1/2	1.656	CP1152 & CP1153	648	6	3/4	18	N/A				7	5	7 1/2	7 1/2	6	6 5/8	9 15/16	7 1/2	N/A			



	24 ELMWOOD AVE 1901 S. LITCHFIELD RD MOUNTAINTOP, PA GOODYEAR, AZ	Unless otherwise specified, dimensions are in inches & tolerances are: 0.000 = +/- 0.031 FRACTIONAL = +/- 1/32 ANGLES = +/- 1/2 DEG
	P: 800.233.8366 F: 800.526.0841 E: ADS@CORNELLIRON.COM	TITLE: WIND LOAD CONFIGURATION NON-INSULATED ROLLING STEEL DOOR CP0020 SLAT IMPACT RATED
DWG NO: ES-16-60-CIW		

L'TR	REVISION	DATE	BY	E.C.O.
*	ORIGINAL ISSUE	10/15/14	TJE	1615
A	REFORMATTED TABLES; HOOD SUPPORT UPDATE	02/14/20	MAN	2027

DBG Up To	Filled CMU											Cracked Concrete Minimum 3,000 PSI Compressive Strength										Steel (Wall anchors are the same diameter as assembly fasteners)						Superimposed Loads								
	Hilti Kwik Bolt 3				Simpson Strong-Bolt 2				Through Bolt			Hilti Kwik Bolt TZ					Simpson Strong-Bolt 2					ITW Redhead Trubolt+					Welded		Through Bolt		Tapped		Vx (+)	Vy (+)	Vx (-)	Vy (-)
	Max O.C.	Dia.	Embed	Edge Dist	Max O.C.	Dia.	Embed	Edge Dist	Max. O.C.	Dia.	Edge Distance	Max O.C.	Dia.	Embed.	Min Wall Thick.	Edge Dist	Max O.C.	Dia.	Embed.	Min Wall Thick.	Edge Dist	Max O.C.	Dia.	Embed.	Min Wall Thick.	Edge Dist	Max O.C.	Slot Size	Max O.C.	Max O.C.	Min. Thickness					
7'-5"	18	3/8	1 5/8	4 9/16	13	3/8	2 5/8	4 9/16	32	3/8	4 9/16	36	3/8	2 5/16	4	4 9/16	36	3/8	1 7/8	3 1/4	4 9/16	22	3/4	3/8	2	4	4 9/16	36	7/16 x 5/8	36	36	3/16	0	113	0	112
7'-5"	10	3/8	2 1/2	5 3/4	9	1/2	3 1/2	5 3/4	18	3/8	5 3/4	10 5/16	3/8	2 5/16	5	5 3/4	36	3/8	2 7/8	4 1/2	5 3/4	14	1/4	3/8	2	5	5 3/4	36	7/16 x 5/8	36	36	3/16	0	113	0	112
13'-5"	10	3/4	4 3/8	5 3/16	8	3/4	5 1/4	5 3/16	9	3/8	5 3/16	19	1/2	3 5/8	8	5 3/16	36	3/4	4 1/8	6 3/4	5 3/16	28	1/2	3/4	4 3/8	7	5 3/16	25	7/16 x 5/8	25	16	3/16	551	203	536	203
13'-5"	8	1/2	3 1/2	5 3/4	10	3/4	5 1/4	5 3/4	23	1/2	5 3/4	36	1/2	3 5/8	8	5 3/4	36	1/2	3 7/8	6	5 3/4	28	1/2	1/2	3 3/4	8	5 3/4	36	9/16 x 3/4	36	24	1/4	554	203	536	203
14'-5"	10	3/4	4 3/8	5 7/16	8	3/4	5 1/4	5 7/16	9	3/8	5 7/16	N/A					N/A					N/A					22	7/16 x 5/8	22	14	3/16	615	217	602	217	
14'-5"	8	3/4	3 1/4	5 3/4	9	3/4	5 1/4	5 3/4	20	1/2	5 3/4	28 1/2	1/2	3 5/8	8	5 3/4	19	1/2	3 7/8	6	5 3/4	36	3/4	4 3/8	7	5 3/4	36	9/16 x 3/4	36	22	1/4	617	218	602	217	
15'-5"	9	3/4	4 3/8	5 7/16	N/A				8	3/8	5 7/16	36	3/4	5 9/16	8	5 7/16	36	3/4	5 3/4	8 3/4	5 7/16	28	1/2	3/4	4 3/8	8	5 7/16	19	7/16 x 5/8	19	12	3/16	723	232	712	232
15'-5"	10	3/4	4 3/8	5 3/4	N/A				17	1/2	5 3/4	36	3/4	5 9/16	8	5 3/4	19	3/4	4 1/8	6 3/4	5 3/4	22	3/4	3/4	4 3/8	7	5 3/4	34	9/16 x 3/4	34	19	1/4	725	233	712	232
16'-5"	N/A				N/A				6	3/8	5 7/16	19	3/4	5 9/16	8	5 7/16	36	3/4	5 3/4	8 3/4	5 7/16	N/A					16	7/16 x 5/8	16	10	3/16	872	247	861	248	
16'-5"	8	3/4	4 3/8	5 3/4	N/A				14	1/2	5 3/4	28 1/2	3/4	5 9/16	8	5 3/4	36	3/4	5 3/4	8 3/4	5 3/4	N/A					28	9/16 x 3/4	28	15	1/4	874	248	861	248	
17'-5"	N/A				N/A				5	3/8	5 7/16	N/A					N/A					N/A					12	7/16 x 5/8	12	8	3/16	1080	263	1069	263	
17'-5"	N/A				N/A				12	1/2	5 3/4	N/A					28.5	0.75	5.75	8.75	5.75	N/A					23	9/16 x 3/4	23	12	0.25	1082	263	1069	263	
18'-5"	8	3/4	4 3/8	6 1/4	N/A				18	5/8	6 1/4	19	5/8	4 7/16	8	6 1/4	28 1/2	5/8	5 1/8	7 7/8	6 1/4	36	5/8	4 3/4	6 1/4	6 1/4	36	11/16 x 7/8	36	27	5/16	829	276	821	277	
19'-5"	N/A				N/A				16	5/8	6 1/4	N/A					N/A					N/A					36	11/16 x 7/8	36	23	5/16	976	291	968	292	
20'-5"	N/A				N/A				16	5/8	6 13/16	22 3/4	3/4	5 9/16	8	6 13/16	36	3/4	5 3/4	8 3/4	6 13/16	N/A					36	11/16 x 7/8	36	25	5/16	1092	306	1083	307	
21'-5"	N/A				N/A				15	5/8	6 13/16	N/A					N/A					N/A					36	11/16 x 7/8	36	22	5/16	1206	321	1198	322	
22'-5"	N/A				N/A				14	5/8	6 13/16	N/A					N/A					N/A					36	11/16 x 7/8	36	20	5/16	1321	336	1313	337	
23'-5"	N/A				N/A				12	5/8	6 13/16	N/A					N/A					N/A					34	11/16 x 7/8	34	19	5/16	1436	352	1428	353	
24'-5"	N/A				N/A				12	5/8	6 13/16	N/A					N/A					N/A					31	11/16 x 7/8	31	17	5/16	1551	367	1543	368	
25'-5"	N/A				N/A				11	5/8	6 13/16	N/A					N/A					N/A					29	11/16 x 7/8	29	16	5/16	1667	382	1659	383	
26'-5"	N/A				N/A				10	5/8	6 7/8	N/A					N/A					N/A					26	11/16 x 7/8	26	14	5/16	1784	397	1775	398	
27'-5"	N/A				N/A				10	5/8	6 7/8	N/A					N/A					N/A					24	11/16 x 7/8	24	13	5/16	1901	412	1893	413	
28'-5"	N/A				N/A				9	5/8	6 7/8	N/A					N/A					N/A					23	11/16 x 7/8	23	12	5/16	2020	428	2011	429	
29'-5"	N/A				N/A				8	5/8	6 7/8	N/A					N/A					N/A					21	11/16 x 7/8	21	12	5/16	2140	443	2131	444	
30'-5"	N/A				N/A				8	5/8	6 7/8	N/A					N/A					N/A					20	11/16 x 7/8	20	11	5/16	2261	458	2252	459	
31'-5"	N/A				N/A				8	5/8	6 7/8	N/A					N/A					N/A					19	11/16 x 7/8	19	10	5/16	2383	474	2374	475	
32'-5"	N/A				N/A				7	5/8	6 7/8	N/A					N/A					N/A					18	11/16 x 7/8	18	10	5/16	2507	489	2498	490	
33'-5"	N/A				N/A				7	5/8	6 7/8	N/A					N/A					N/A					17	11/16 x 7/8	17	9	5/16	2632	504	2623	506	
34'-5"	N/A				N/A				7	3/4	6 7/8	N/A					N/A					N/A					36	11/16 x 7/8	36	21	3/8	2286	517	2278	518	
35'-5"	N/A				N/A				9	3/4	7 1/2	N/A					N/A					N/A					36	13/16 x 1	36	20	3/8	2394	533	2386	533	
36'-5"	N/A				N/A				9	3/4	7 1/2	N/A					N/A					N/A					35	13/16 x 1	35	19	3/8	2502	548	2494	549	
37'-5"	N/A				N/A				8	3/4	7 1/2	N/A					N/A					N/A					34	13/16 x 1	34	18	3/8	2612	563	2604	564	
38'-5"	N/A				N/A				8	3/4	7 1/2	N/A					N/A					N/A					32	13/16 x 1	32	17	3/8	2723	579	2714	579	
39'-5"	N/A				N/A				8	3/4	7 1/2	N/A					N/A					N/A					31	13/16 x 1	31	17	3/8	2835	594	2826	595	
40'-5"	N/A				N/A				7	3/4	7 1/2	N/A					N/A					N/A					30	13/16 x 1	30	16	3/8	2948	609	2939	610	



	24 ELMWOOD AVE 1901 S. LITCHFIELD RD MOUNTAINTOP, PA GOODYEAR, AZ	Unless otherwise specified, dimensions are in inches & tolerances are: 0.000 = +/- 0.031 FRACTIONAL = +/- 1/32 ANGLES = +/- 1/2 DEG
	P: 800.233.8366 F: 800.526.0841 E: ADS@CORNELLIRON.COM	TITLE: WIND LOAD CONFIGURATION NON-INSULATED ROLLING STEEL DOOR CP0020 SLAT IMPACT RATED

L'TR	REVISION	DATE	BY	E.C.O.
*	ORIGINAL ISSUE	10/15/14	TJE	1615
A	REFORMATTED TABLES; HOOD SUPPORT UPDATE	02/14/20	MAN	2027

CP0020 - 0.0405 Minimum Thickness Galvanized or Stainless Steel - 40 PSF																							
Concrete Minimum 3,000 PSI Compressive Strength (Anchors are the same diameter as assembly fasteners)																							
DBG Up To	Windlock Flat Location	Slip	Windlock	Guide Assembly	Windlock Weld Pitch	Assembly Fastener Diameter	Assembly Fastener Spacing	Hilti Kwik Bolt 3				Simpson Wedge All				Red Head Tru-Bolt				Powers Wedge-Bolt			
								Max O.C.	Embed	Min. Wall Thick.	Edge Dist	Max O.C.	Embed	Min. Wall Thick.	Edge Dist	Max O.C.	Embed	Min. Wall Thick.	Edge Dist	Max O.C.	Embed	Min. Wall Thick.	Edge Dist
7'-5"	N/A	N/A	N/A	333*	N/A	3/8	24	36	2 3/8	4	4 9/16	24	2 5/8	3 15/16	4 9/16	25	3	4 1/2	4 9/16	19	2	3	4 9/16
7'-5"	N/A	N/A	N/A	344*	N/A	3/8	24	36	2 3/8	4	5 3/4	14	2 5/8	3 15/16	5 3/4	14	3	4 1/2	5 3/4	28	3 1/2	5 1/4	5 3/4
13'-5"	1 5/16	0.469	CP1152	334	10	3/8	10	N/A				6	2 5/8	3 15/16	5 7/16	6	3	4 1/2	5 7/16	7	3 1/2	5 1/4	5 7/16
13'-5"	1 5/16	0.469	CP1152	344	10	1/2	18	22	3 5/8	6	5 3/4	13	4 1/2	6 3/4	5 3/4	10	4 1/8	6 3/16	5 3/4	8	3 1/2	5 1/4	5 3/4
14'-5"	1 1/2	0.656	CP1152	334	10	3/8	10	N/A				6	2 5/8	3 15/16	5 7/16	6	3	4 1/2	5 7/16	4	2 1/2	3 3/4	5 7/16
14'-5"	1 1/2	0.656	CP1152	344	10	1/2	18	22	3 5/8	6	5 3/4	13	4 1/2	6 3/4	5 3/4	10	4 1/8	6 3/16	5 3/4	6	2 1/2	3 3/4	5 3/4
15'-5"	1 5/8	0.781	CP1152	444	10	5/8	18	28	4 3/8	6	6 1/4	15	4 1/2	6 3/4	6 1/4	13	5 1/8	7 11/16	6 1/4	9	4	6	6 1/4
16'-5"	1 3/4	0.906	CP1152	444	9	5/8	18	36	4 3/8	8	6 1/4	14	4 1/2	6 3/4	6 1/4	12	5 1/8	7 11/16	6 1/4	9	4	6	6 1/4
17'-5"	2	1.156	CP1152	445	10	5/8	18	36	4 3/8	6	6 13/16	16	4 1/2	6 3/4	6 13/16	15	7 1/2	11 1/4	6 13/16	10	4	6	6 13/16
18'-5"	2	1.156	CP1152	445	9	5/8	18	22	4 3/8	6	6 13/16	14	4 1/2	6 3/4	6 13/16	13	7 1/2	11 1/4	6 13/16	9	4	6	6 13/16
19'-5"	2	1.156	CP1152	445	8	5/8	18	36	4 3/8	8	6 13/16	13	4 1/2	6 3/4	6 13/16	12	7 1/2	11 1/4	6 13/16	8	4	6	6 13/16
20'-5"	2	1.156	CP1152	445	8	5/8	18	19	4 3/8	8	6 13/16	12	4 1/2	6 3/4	6 13/16	N/A				7	4	6	6 13/16
21'-5"	2	1.156	CP1152 & CP1153	445	8	5/8	18	N/A				11	4 1/2	6 3/4	6 13/16	N/A				9	5	7 1/2	6 13/16
22'-5"	2	1.156	CP1152 & CP1153	546	7	5/8	18	N/A				10	4 1/2	6 3/4	6 7/8	N/A				9	5	7 1/2	6 7/8
23'-5"	2	1.156	CP1152 & CP1153	546	7	5/8	18	N/A				9	4 1/2	6 3/4	6 7/8	N/A				8	5	7 1/2	6 7/8
24'-5"	2	1.156	CP1152 & CP1153	546	7	5/8	17	N/A				8	4 1/2	6 3/4	6 7/8	N/A				7	5	7 1/2	6 7/8
25'-5"	2	1.156	CP1152 & CP1153	546	6	5/8	16	N/A				8	4 1/2	6 3/4	6 7/8	N/A				N/A			
26'-5"	2	1.156	CP1152 & CP1153	546	6	5/8	15	N/A				7	4 1/2	6 3/4	6 7/8	N/A				N/A			
27'-5"	2	1.156	CP1152 & CP1153	546	6	5/8	14	N/A				7	4 1/2	6 3/4	6 7/8	N/A				N/A			
28'-5"	2	1.156	CP1152 & CP1153	648	6	3/4	18	N/A				7	4 1/2	6 3/4	6 7/8	N/A				N/A			
29'-5"	2 1/2	1.656	CP1152 & CP1153	648	6	3/4	18	N/A				9	5	7 1/2	7 1/2	10	6 5/8	9 15/16	7 1/2	N/A			
30'-5"	2 1/2	1.656	CP1152 & CP1153	648	6	3/4	18	N/A				9	5	7 1/2	7 1/2	10	6 5/8	9 15/16	7 1/2	N/A			
31'-5"	2 1/2	1.656	CP1152 & CP1153	648	6	3/4	18	N/A				8	5	7 1/2	7 1/2	8	6 5/8	9 15/16	7 1/2	N/A			
32'-5"	2 1/2	1.656	CP1152 & CP1153	648	6	3/4	18	N/A				8	5	7 1/2	7 1/2	7	6 5/8	9 15/16	7 1/2	N/A			
33'-5"	2 1/2	1.656	CP1152 & CP1153	648	6	3/4	18	N/A				7	5	7 1/2	7 1/2	6	6 5/8	9 15/16	7 1/2	N/A			
34'-5"	2 1/2	1.656	CP1152 & CP1153	648	5	3/4	17	N/A				7	5	7 1/2	7 1/2	N/A				N/A			
35'-5"	2 1/2	1.656	CP1152 & CP1153	648	5	3/4	16	N/A				7	5	7 1/2	7 1/2	N/A				N/A			



	24 ELMWOOD AVE 1901 S. LITCHFIELD RD MOUNTAINTOP, PA GOODYEAR, AZ	Unless otherwise specified, dimensions are in inches & tolerances are: 0.000 = +/- 0.031 FRACTIONAL = +/- 1/32 ANGLES = +/- 1/2 DEG		
	P: 800.233.8366 F: 800.526.0841 E: ADS@CORNELLIRON.COM	TITLE: WIND LOAD CONFIGURATION NON-INSULATED ROLLING STEEL DOOR CP0020 SLAT IMPACT RATED		
DRAWN BY: TJE		SIZE: B	SCALE: AS NOTED	SHEET: 38/46
DWG NO: ES-16-60-CIW				

L'TR	REVISION	DATE	BY	E.C.O.
*	ORIGINAL ISSUE	10/15/14	TJE	1615
A	REFORMATTED TABLES; HOOD SUPPORT UPDATE	02/14/20	MAN	2027

CP0020 - 0.0405 Minimum Thickness Galvanized or Stainless Steel - 40 PSF, Cont.																																			
DBG Up To	Filled CMU											Cracked Concrete Minimum 3,000 PSI Compressive Strength											Steel (Wall anchors are the same diameter as assembly fasteners)					Superimposed Loads							
	Hilti Kwik Bolt 3				Simpson Strong-Bolt 2				Through Bolt			Hilti Kwik Bolt TZ					Simpson Strong-Bolt 2					ITW Redhead Trubolt+					Welded				Through Bolt	Tapped			
	Max O.C.	Dia.	Embed	Edge Dist	Max O.C.	Dia.	Embed	Edge Dist	Max. O.C.	Dia.	Edge Distance	Max O.C.	Dia.	Embed.	Min Wall Thick.	Edge Dist	Max O.C.	Dia.	Embed.	Min Wall Thick.	Edge Dist	Max O.C.	Dia.	Embed.	Min Wall Thick.	Edge Dist	Max O.C.	Slot Size	Max O.C.	Max O.C.	Min. Thickness	Vx (+)	Vy (+)	Vx (-)	Vy (-)
7'-5"	14	3/8	2 1/2	4 9/16	9	3/8	2 5/8	4 9/16	24	3/8	4 9/16	36	3/8	2 5/16	4	4 9/16	22 3/4	3/8	1 7/8	3 1/4	4 9/16	36	3/8	2	5	4 9/16	36	7/16 x 5/8	36	36	3/16	0	150	0	149
7'-5"	8	3/8	2 1/2	5 3/4	13	3/4	5 1/4	5 3/4	14	3/8	5 3/4	36	1/2	3 5/8	6	5 3/4	36	3/8	2 7/8	4 1/2	5 3/4	16 1/4	1/2	2 1/2	4	5 3/4	36	7/16 x 5/8	36	36	3/16	0	150	0	149
13'-5"	N/A	N/A	N/A	N/A	6	3/8	5 7/16	N/A	13	1/2	5 3/4	19	3/4	5 9/16	8	5 3/4	36	3/4	5 3/4	8 3/4	5 7/16	N/A	N/A	N/A	N/A	14	7/16 x 5/8	14	9	3/16	986	270	967	271	
13'-5"	N/A	N/A	N/A	N/A	13	1/2	5 3/4	N/A	13	1/2	5 3/4	19	3/4	5 9/16	8	5 3/4	36	3/4	5 3/4	8 3/4	5 7/16	N/A	N/A	N/A	N/A	25	9/16 x 3/4	25	14	1/4	989	271	967	271	
14'-5"	N/A	N/A	N/A	N/A	6	3/8	5 7/16	N/A	13	1/2	5 3/4	N/A	N/A	N/A	N/A	N/A	N/A	N/A	N/A	N/A	N/A	N/A	N/A	N/A	N/A	14	7/16 x 5/8	14	9	3/16	959	290	944	290	
14'-5"	N/A	N/A	N/A	N/A	13	1/2	5 3/4	N/A	13	1/2	5 3/4	N/A	N/A	N/A	N/A	N/A	N/A	N/A	N/A	N/A	N/A	N/A	N/A	N/A	N/A	25	9/16 x 3/4	25	14	1/4	961	290	944	290	
15'-5"	N/A	N/A	N/A	N/A	15	5/8	6 1/4	N/A	15	5/8	6 1/4	36	3/4	5 3/4	8 3/4	6 1/4	36	3/4	5 3/4	8 3/4	6 1/4	N/A	N/A	N/A	N/A	36	11/16 x 7/8	36	22	5/16	1031	309	1015	310	
16'-5"	N/A	N/A	N/A	N/A	14	5/8	6 1/4	N/A	14	5/8	6 1/4	N/A	N/A	N/A	N/A	N/A	N/A	N/A	N/A	N/A	N/A	N/A	N/A	N/A	N/A	36	11/16 x 7/8	36	21	5/16	1098	329	1085	330	
17'-5"	N/A	N/A	N/A	N/A	16	5/8	6 13/16	N/A	16	5/8	6 13/16	36	3/4	5 3/4	8 3/4	6 13/16	36	3/4	5 3/4	8 3/4	6 13/16	N/A	N/A	N/A	N/A	36	11/16 x 7/8	36	25	5/16	1082	348	1071	349	
18'-5"	N/A	N/A	N/A	N/A	14	5/8	6 13/16	N/A	14	5/8	6 13/16	N/A	N/A	N/A	N/A	N/A	N/A	N/A	N/A	N/A	N/A	N/A	N/A	N/A	N/A	36	11/16 x 7/8	36	22	5/16	1230	368	1220	369	
19'-5"	N/A	N/A	N/A	N/A	13	5/8	6 13/16	N/A	13	5/8	6 13/16	N/A	N/A	N/A	N/A	N/A	N/A	N/A	N/A	N/A	N/A	N/A	N/A	N/A	N/A	35	11/16 x 7/8	35	19	5/16	1378	388	1367	389	
20'-5"	N/A	N/A	N/A	N/A	12	5/8	6 13/16	N/A	12	5/8	6 13/16	N/A	N/A	N/A	N/A	N/A	N/A	N/A	N/A	N/A	N/A	N/A	N/A	N/A	N/A	32	11/16 x 7/8	32	17	5/16	1524	408	1514	410	
21'-5"	N/A	N/A	N/A	N/A	11	5/8	6 13/16	N/A	11	5/8	6 13/16	N/A	N/A	N/A	N/A	N/A	N/A	N/A	N/A	N/A	N/A	N/A	N/A	N/A	N/A	29	11/16 x 7/8	29	16	5/16	1671	429	1661	430	
22'-5"	N/A	N/A	N/A	N/A	10	5/8	6 7/8	N/A	10	5/8	6 7/8	N/A	N/A	N/A	N/A	N/A	N/A	N/A	N/A	N/A	N/A	N/A	N/A	N/A	N/A	25	11/16 x 7/8	25	14	5/16	1818	449	1808	450	
23'-5"	N/A	N/A	N/A	N/A	9	5/8	6 7/8	N/A	9	5/8	6 7/8	N/A	N/A	N/A	N/A	N/A	N/A	N/A	N/A	N/A	N/A	N/A	N/A	N/A	N/A	23	11/16 x 7/8	23	13	5/16	1967	469	1956	470	
24'-5"	N/A	N/A	N/A	N/A	8	5/8	6 7/8	N/A	8	5/8	6 7/8	N/A	N/A	N/A	N/A	N/A	N/A	N/A	N/A	N/A	N/A	N/A	N/A	N/A	N/A	22	11/16 x 7/8	22	12	5/16	2116	489	2105	491	
25'-5"	N/A	N/A	N/A	N/A	8	5/8	6 7/8	N/A	8	5/8	6 7/8	N/A	N/A	N/A	N/A	N/A	N/A	N/A	N/A	N/A	N/A	N/A	N/A	N/A	N/A	20	11/16 x 7/8	20	11	5/16	2267	510	2256	511	
26'-5"	N/A	N/A	N/A	N/A	7	5/8	6 7/8	N/A	7	5/8	6 7/8	N/A	N/A	N/A	N/A	N/A	N/A	N/A	N/A	N/A	N/A	N/A	N/A	N/A	N/A	19	11/16 x 7/8	19	10	5/16	2419	530	2408	532	
27'-5"	N/A	N/A	N/A	N/A	7	5/8	6 7/8	N/A	7	5/8	6 7/8	N/A	N/A	N/A	N/A	N/A	N/A	N/A	N/A	N/A	N/A	N/A	N/A	N/A	N/A	18	11/16 x 7/8	18	10	5/16	2573	551	2562	552	
28'-5"	N/A	N/A	N/A	N/A	7	3/4	6 7/8	N/A	7	3/4	6 7/8	N/A	N/A	N/A	N/A	N/A	N/A	N/A	N/A	N/A	N/A	N/A	N/A	N/A	N/A	36	11/16 x 7/8	36	21	3/8	2255	569	2245	569	
29'-5"	N/A	N/A	N/A	N/A	9	3/4	7 1/2	N/A	9	3/4	7 1/2	N/A	N/A	N/A	N/A	N/A	N/A	N/A	N/A	N/A	N/A	N/A	N/A	N/A	N/A	36	13/16 x 1	36	20	3/8	2387	589	2377	590	
30'-5"	N/A	N/A	N/A	N/A	9	3/4	7 1/2	N/A	9	3/4	7 1/2	N/A	N/A	N/A	N/A	N/A	N/A	N/A	N/A	N/A	N/A	N/A	N/A	N/A	N/A	35	13/16 x 1	35	19	3/8	2521	609	2511	610	
31'-5"	N/A	N/A	N/A	N/A	8	3/4	7 1/2	N/A	8	3/4	7 1/2	N/A	N/A	N/A	N/A	N/A	N/A	N/A	N/A	N/A	N/A	N/A	N/A	N/A	N/A	33	13/16 x 1	33	18	3/8	2657	630	2646	630	
32'-5"	N/A	N/A	N/A	N/A	8	3/4	7 1/2	N/A	8	3/4	7 1/2	N/A	N/A	N/A	N/A	N/A	N/A	N/A	N/A	N/A	N/A	N/A	N/A	N/A	N/A	31	13/16 x 1	31	17	3/8	2794	650	2783	651	
33'-5"	N/A	N/A	N/A	N/A	7	3/4	7 1/2	N/A	7	3/4	7 1/2	N/A	N/A	N/A	N/A	N/A	N/A	N/A	N/A	N/A	N/A	N/A	N/A	N/A	N/A	30	13/16 x 1	30	16	3/8	2932	671	2922	671	
34'-5"	N/A	N/A	N/A	N/A	7	3/4	7 1/2	N/A	7	3/4	7 1/2	N/A	N/A	N/A	N/A	N/A	N/A	N/A	N/A	N/A	N/A	N/A	N/A	N/A	N/A	28	13/16 x 1	28	15	3/8	3072	691	3062	692	
35'-5"	N/A	N/A	N/A	N/A	7	3/4	7 1/2	N/A	7	3/4	7 1/2	N/A	N/A	N/A	N/A	N/A	N/A	N/A	N/A	N/A	N/A	N/A	N/A	N/A	N/A	27	13/16 x 1	27	15	3/8	3214	711	3203	712	



	24 ELMWOOD AVE 1901 S. LITCHFIELD RD MOUNTAINTOP, PA GOODYEAR, AZ	Unless otherwise specified, dimensions are in inches & tolerances are: 0.000 = +/- 0.031 FRACTIONAL = +/- 1/32 ANGLES = +/- 1/2 DEG
	P: 800.233.8366 F: 800.526.0841 E: ADS@CORNELLIRON.COM	
TITLE: WIND LOAD CONFIGURATION NON-INSULATED ROLLING STEEL DOOR CP0020 SLAT IMPACT RATED	DRAWN BY: TJE DWG NO: ES-16-60-CIW	SIZE: B SCALE: AS NOTED SHEET: 39/46

L'TR	REVISION	DATE	BY	E.C.O.
*	ORIGINAL ISSUE	10/15/14	TJE	1615
A	REFORMATTED TABLES; HOOD SUPPORT UPDATE	02/14/20	MAN	2027

CP0020 - 0.0405 Minimum Thickness Galvanized or Stainless Steel - 50 PSF																							
Concrete Minimum 3,000 PSI Compressive Strength (Anchors are the same diameter as assembly fasteners)																							
DBG Up To	Windlock Flat Location	Slip	Windlock	Guide Assembly	Windlock Weld Pitch	Assembly Fastener Diameter	Assembly Fastener Spacing	Hilti Kwik Bolt 3				Simpson Wedge All				Red Head Tru-Bolt				Powers Wedge-Bolt			
								Max O.C.	Embed	Min. Wall Thick.	Edge Dist	Max O.C.	Embed	Min. Wall Thick.	Edge Dist	Max O.C.	Embed	Min. Wall Thick.	Edge Dist	Max O.C.	Embed	Min. Wall Thick.	Edge Dist
6'-5"	N/A	N/A	N/A	333*	N/A	3/8	24	36	2 3/8	4	4 9/16	22	2 5/8	3 15/16	4 9/16	23	3	4 1/2	4 9/16	18	2	3	4 9/16
6'-5"	N/A	N/A	N/A	344*	N/A	3/8	24	28	2 3/8	4	5 3/4	12	2 5/8	3 15/16	5 3/4	13	3	4 1/2	5 3/4	25	3 1/2	5 1/4	5 3/4
14'-5"	1 1/2	0.656	CP1152 & CP1153	DC1	8	1/2	12	8	3 1/2	5 1/4	5 3/4	8	4 1/2	6 3/4	5 3/4	N/A				N/A			
15'-5"	1 5/8	0.781	CP1152	445	8	5/8	18	36	4 3/8	8	6 13/16	13	4 1/2	6 3/4	6 13/16	12	7 1/2	11 1/4	6 13/16	8	4	6	6 13/16
16'-5"	1 3/4	0.906	CP1152	445	8	5/8	18	28	4 3/8	8	6 13/16	12	4 1/2	6 3/4	6 13/16	11	7 1/2	11 1/4	6 13/16	8	4	6	6 13/16
17'-5"	2	1.156	CP1152	445	8	5/8	18	28	4 3/8	8	6 13/16	12	4 1/2	6 3/4	6 13/16	11	7 1/2	11 1/4	6 13/16	8	4	6	6 13/16
18'-5"	2	1.156	CP1152 & CP1153	445	8	5/8	18	N/A				11	4 1/2	6 3/4	6 13/16	N/A				10	5	7 1/2	6 13/16
19'-5"	2	1.156	CP1152 & CP1153	546	7	5/8	18	N/A				10	4 1/2	6 3/4	6 7/8	N/A				9	5	7 1/2	6 7/8
20'-5"	2	1.156	CP1152 & CP1153	546	7	5/8	18	N/A				9	4 1/2	6 3/4	6 7/8	N/A				8	5	7 1/2	6 7/8
21'-5"	2	1.156	CP1152 & CP1153	546	7	5/8	17	N/A				8	4 1/2	6 3/4	6 7/8	N/A				7	5	7 1/2	6 7/8
22'-5"	2	1.156	CP1152 & CP1153	546	6	5/8	15	N/A				8	4 1/2	6 3/4	6 7/8	N/A				N/A			
23'-5"	2	1.156	CP1152 & CP1153	546	6	5/8	14	N/A				7	4 1/2	6 3/4	6 7/8	N/A				N/A			
25'-5"	2 1/2	1.656	CP1152 & CP1153	DC2	6	3/4	15	11	4 3/4	7 1/8	7 1/2	11	5	7 1/2	7 1/2	N/A				N/A			
27'-5"	2 1/2	1.656	CP1152 & CP1153	DC3	6	3/4	15	11	4 3/4	7 1/8	7 1/2	11	5	7 1/2	7 1/2	N/A				N/A			
28'-5"	2 1/2	1.656	CP1152 & CP1153	648	6	3/4	18	N/A				8	5	7 1/2	7 1/2	6	6 5/8	9 15/16	7 1/2	N/A			
29'-5"	2 1/2	1.656	CP1152 & CP1153	648	6	3/4	17	N/A				7	5	7 1/2	7 1/2	5	6 5/8	9 15/16	7 1/2	N/A			
30'-5"	2 1/2	1.656	CP1152 & CP1153	648	5	3/4	16	N/A				7	5	7 1/2	7 1/2	N/A				N/A			

CP0020 - 0.0405 Minimum Thickness Galvanized or Stainless Steel - 50 PSF, Cont.																				
DBG Up To	Filled CMU											Steel (Wall anchors are the same diameter as assembly fasteners)					Superimposed Loads			
	Hilti Kwik Bolt 3				Simpson Strong-Bolt 2				Through Bolt			Welded		Through Bolt	Tapped		Vx (+)	Vy (+)	Vx (-)	Vy (-)
	Max O.C.	Dia.	Embed	Edge Dist	Max O.C.	Dia.	Embed	Edge Dist	Max O.C.	Dia.	Edge Distance	Max O.C.	Slot Size	Max O.C.	Max O.C.	Min. Thickness				
6'-5"	12	3/8	2 1/2	4 9/16	9	3/8	2 5/8	4 9/16	22	3/8	4 9/16	36	7/16 x 5/8	36	36	3/16	0	162	0	161
6'-5"	8	1/2	3 1/2	5 3/4	12	3/4	5 1/4	5 3/4	12	3/8	5 3/4	36	7/16 x 5/8	36	36	3/16	0	163	0	161
14'-5"	N/A				N/A				8	1/2	5 3/4	12	9/16 x 3/4	12	12	1/4	1304	362	1284	363
15'-5"	N/A				N/A				13	5/8	6 13/16	35	11/16 x 7/8	35	19	5/16	1380	387	1361	388
16'-5"	N/A				N/A				12	5/8	6 13/16	33	11/16 x 7/8	33	18	5/16	1453	411	1437	412
17'-5"	N/A				N/A				12	5/8	6 13/16	34	11/16 x 7/8	34	19	5/16	1423	435	1410	436
18'-5"	N/A				N/A				11	5/8	6 13/16	30	11/16 x 7/8	30	17	5/16	1601	460	1588	462
19'-5"	N/A				N/A				10	5/8	6 7/8	26	11/16 x 7/8	26	14	5/16	1779	486	1766	487
20'-5"	N/A				N/A				9	5/8	6 7/8	24	11/16 x 7/8	24	13	5/16	1957	511	1944	512
21'-5"	N/A				N/A				8	5/8	6 7/8	21	11/16 x 7/8	21	12	5/16	2136	536	2123	538
22'-5"	N/A				N/A				8	5/8	6 7/8	20	11/16 x 7/8	20	11	5/16	2316	561	2303	563
23'-5"	N/A				N/A				7	5/8	6 7/8	18	11/16 x 7/8	18	10	5/16	2498	587	2484	589
25'-5"	N/A				N/A				8	3/4	7 1/2	15	13/16 x 1	15	15	3/8	2364	635	2352	636
27'-5"	N/A				N/A				N/A			11	13/16 x 1	11	11	3/8	2682	686	2670	686
28'-5"	N/A				N/A				8	3/4	7 1/2	31	13/16 x 1	31	16	3/8	2845	711	2832	712
29'-5"	N/A				N/A				7	3/4	7 1/2	29	13/16 x 1	29	16	3/8	3008	737	2996	738
30'-5"	N/A				N/A				7	3/4	7 1/2	27	13/16 x 1	27	15	3/8	3174	762	3162	763



	24 ELMWOOD AVE 1901 S. LITCHFIELD RD MOUNTAINTOP, PA GOODYEAR, AZ	Unless otherwise specified, dimensions are in inches & tolerances are: 0.000 = +/- 0.031 FRACTIONAL = +/- 1/32 ANGLES = +/- 1/2 DEG
	P: 800.233.8366 F: 800.526.0841 E: ADS@CORNELLIRON.COM	TITLE: WIND LOAD CONFIGURATION NON-INSULATED ROLLING STEEL DOOR CP0020 SLAT IMPACT RATED
		SIZE: B SCALE: AS NOTED SHEET: 40/46

L'TR	REVISION	DATE	BY	E.C.O.
*	ORIGINAL ISSUE	10/15/14	TJE	1615
A	REFORMATTED TABLES; HOOD SUPPORT UPDATE	02/14/20	MAN	2027

CP0020 - 0.0405 Minimum Thickness Galvanized or Stainless Steel - 60 PSF																							
Concrete Minimum 3,000 PSI Compressive Strength (Anchors are the same diameter as assembly fasteners)																							
DBG Up To	Windlock Flat Location	Slip	Windlock	Guide Assembly	Windlock Weld Pitch	Assembly Fastener Diameter	Assembly Fastener Spacing	Hilti Kwik Bolt 3				Simpson Wedge All				Red Head Tru-Bolt				Powers Wedge-Bolt			
								Max O.C.	Embed	Min. Wall Thick.	Edge Dist	Max O.C.	Embed	Min. Wall Thick.	Edge Dist	Max O.C.	Embed	Min. Wall Thick.	Edge Dist	Max O.C.	Embed	Min. Wall Thick.	Edge Dist
6'-5"	N/A	N/A	N/A	333*	N/A	3/8	24	36	2 3/8	4	4 9/16	18	2 5/8	3 15/16	4 9/16	19	3	4 1/2	4 9/16	15	2	3	4 9/16
6'-5"	N/A	N/A	N/A	344*	N/A	3/8	24	16	2 3/8	5	5 3/4	10	2 5/8	3 15/16	5 3/4	11	3	4 1/2	5 3/4	21	3 1/2	5 1/4	5 3/4
14'-5"	1 1/2	0.656	CP1152 & CP1153	DC1	8	1/2	12	8	3 1/2	5 1/4	5 3/4	8	4 1/2	6 3/4	5 3/4	N/A				N/A			
15'-5"	1 5/8	0.781	CP1152 & CP1153	445	7	5/8	18	N/A				10	4 1/2	6 3/4	6 13/16	N/A				9	5	7 1/2	6 13/16
16'-5"	1 3/4	0.906	CP1152 & CP1153	546	7	5/8	18	N/A				10	4 1/2	6 3/4	6 7/8	N/A				9	5	7 1/2	6 7/8
17'-5"	2	1.156	CP1152 & CP1153	546	7	5/8	18	N/A				10	4 1/2	6 3/4	6 7/8	N/A				9	5	7 1/2	6 7/8
18'-5"	2	1.156	CP1152 & CP1153	546	7	5/8	18	N/A				9	4 1/2	6 3/4	6 7/8	N/A				8	5	7 1/2	6 7/8
19'-5"	2	1.156	CP1152 & CP1153	546	7	5/8	16	N/A				8	4 1/2	6 3/4	6 7/8	N/A				7	5	7 1/2	6 7/8
20'-5"	2	1.156	CP1152 & CP1153	546	6	5/8	15	N/A				7	4 1/2	6 3/4	6 7/8	N/A				N/A			
21'-5"	2	1.156	CP1152 & CP1153	546	6	5/8	14	N/A				7	4 1/2	6 3/4	6 7/8	N/A				N/A			
25'-5"	2 1/2	1.656	CP1152 & CP1153	DC2	6	3/4	15	11	4 3/4	7 1/8	7 1/2	11	5	7 1/2	7 1/2	N/A				N/A			
27'-5"	2 1/2	1.656	CP1152 & CP1153	DC3	6	3/4	15	11	4 3/4	7 1/8	7 1/2	11	5	7 1/2	7 1/2	N/A				N/A			

CP0020 - 0.0405 Minimum Thickness Galvanized or Stainless Steel - 60 PSF, Cont.																				
DBG Up To	Filled CMU											Steel (Wall anchors are the same diameter as assembly fasteners)					Superimposed Loads			
	Hilti Kwik Bolt 3				Simpson Strong-Bolt 2				Through Bolt			Welded		Through Bolt	Tapped		Vx (+)	Vy (+)	Vx (-)	Vy (-)
	Max O.C.	Dia.	Embed	Edge Dist	Max O.C.	Dia.	Embed	Edge Dist	Max O.C.	Dia.	Edge Distance	Max O.C.	Slot Size	Max O.C.	Max O.C.	Min. Thickness				
6'-5"	10	3/8	2 1/2	4 9/16	9	1/2	3 1/2	4 9/16	18	3/8	4 9/16	36	7/16 x 5/8	36	36	3/16	0	195	0	193
6'-5"	8	3/4	3 1/4	5 3/4	10	3/4	5 1/4	5 3/4	10	3/8	5 3/4	36	7/16 x 5/8	36	36	3/16	0	195	0	193
14'-5"	N/A				N/A				8	1/2	5 3/4	12	9/16 x 3/4	12	12	1/4	1648	435	1625	436
15'-5"	N/A				N/A				10	5/8	6 13/16	28	11/16 x 7/8	28	15	5/16	1729	464	1707	466
16'-5"	N/A				N/A				10	5/8	6 7/8	26	11/16 x 7/8	26	14	5/16	1808	494	1789	495
17'-5"	N/A				N/A				10	5/8	6 7/8	26	11/16 x 7/8	26	14	5/16	1765	522	1750	524
18'-5"	N/A				N/A				9	5/8	6 7/8	23	11/16 x 7/8	23	13	5/16	1972	553	1957	554
19'-5"	N/A				N/A				8	5/8	6 7/8	21	11/16 x 7/8	21	11	5/16	2180	583	2165	585
20'-5"	N/A				N/A				7	5/8	6 7/8	19	11/16 x 7/8	19	10	5/16	2390	613	2374	615
21'-5"	N/A				N/A				7	5/8	6 7/8	18	11/16 x 7/8	18	10	5/16	2600	644	2585	646
25'-5"	N/A				N/A				8	3/4	7 1/2	15	13/16 x 1	15	15	3/8	2863	762	2849	763
27'-5"	N/A				N/A				N/A			11	13/16 x 1	11	11	3/8	3241	823	3227	824



	24 ELMWOOD AVE 1901 S. LITCHFIELD RD MOUNTAINTOP, PA GOODYEAR, AZ	Unless otherwise specified, dimensions are in inches & tolerances are: 0.000 = +/- 0.031 FRACTIONAL = +/- 1/32 ANGLES = +/- 1/2 DEG
	P: 800.233.8366 F: 800.526.0841 E: ADS@CORNELLIRON.COM	TITLE: WIND LOAD CONFIGURATION NON-INSULATED ROLLING STEEL DOOR CP0020 SLAT IMPACT RATED

L'TR	REVISION	DATE	BY	E.C.O.
*	ORIGINAL ISSUE	10/15/14	TJE	1615
A	REFORMATTED TABLES; HOOD SUPPORT UPDATE	02/14/20	MAN	2027

CP0020 - 0.0405 Minimum Thickness Galvanized or Stainless Steel - 65 PSF																							
Concrete Minimum 3,000 PSI Compressive Strength (Anchors are the same diameter as assembly fasteners)																							
DBG Up To	Windlock Flat Location	Slip	Windlock	Guide Assembly	Windlock Weld Pitch	Assembly Fastener Diameter	Assembly Fastener Spacing	Hilti Kwik Bolt 3				Simpson Wedge All				Red Head Tru-Bolt				Powers Wedge-Bolt			
								Max O.C.	Embed	Min. Wall Thick.	Edge Dist	Max O.C.	Embed	Min. Wall Thick.	Edge Dist	Max O.C.	Embed	Min. Wall Thick.	Edge Dist	Max O.C.	Embed	Min. Wall Thick.	Edge Dist
5'-5"	N/A	N/A	N/A	333*	N/A	3/8	24	36	2 3/8	4	4 9/16	20	2 5/8	3 15/16	4 9/16	21	3	4 1/2	4 9/16	16	2	3	4 9/16
5'-5"	N/A	N/A	N/A	344*	N/A	3/8	24	16	2 3/8	4	5 3/4	11	2 5/8	3 15/16	5 3/4	12	3	4 1/2	5 3/4	23	3 1/2	5 1/4	5 3/4
14'-5"	1 1/2	0.656	CP1152 & CP1153	DC1	8	1/2	12	8	3 1/2	5 1/4	5 3/4	8	4 1/2	6 3/4	5 3/4	N/A				N/A			
15'-5"	1 5/8	0.781	CP1152 & CP1153	546	7	5/8	18	N/A				10	4 1/2	6 3/4	6 7/8	N/A				8	5	7 1/2	6 7/8
16'-5"	1 3/4	0.906	CP1152 & CP1153	546	7	5/8	18	N/A				9	4 1/2	6 3/4	6 7/8	N/A				8	5	7 1/2	6 7/8
17'-5"	2	1.156	CP1152 & CP1153	546	7	5/8	18	N/A				9	4 1/2	6 3/4	6 7/8	N/A				8	5	7 1/2	6 7/8
18'-5"	2	1.156	CP1152 & CP1153	546	7	5/8	16	N/A				8	4 1/2	6 3/4	6 7/8	N/A				7	5	7 1/2	6 7/8
19'-5"	2	1.156	CP1152 & CP1153	546	6	5/8	15	N/A				7	4 1/2	6 3/4	6 7/8	N/A				N/A			
20'-5"	2	1.156	CP1152 & CP1153	546	6	5/8	13	N/A				7	4 1/2	6 3/4	6 7/8	N/A				N/A			
25'-5"	2 1/2	1.656	CP1152 & CP1153	DC2	6	3/4	15	11	4 3/4	7 1/8	7 1/2	11	5	7 1/2	7 1/2	N/A				N/A			

CP0020 - 0.0405 Minimum Thickness Galvanized or Stainless Steel - 65 PSF, Cont.																					
DBG Up To	Filled CMU											Steel (Wall anchors are the same diameter as assembly fasteners)						Superimposed Loads			
	Hilti Kwik Bolt 3				Simpson Strong-Bolt 2				Through Bolt			Welded		Through Bolt	Tapped						
	Max O.C.	Dia.	Embed	Edge Dist	Max O.C.	Dia.	Embed	Edge Dist	Max O.C.	Dia.	Edge Distance	Max O.C.	Slot Size	Max O.C.	Max O.C.	Min. Thickness	Vx (+)	Vy (+)	Vx (-)	Vy (-)	
5'-5"	11	3/8	2 1/2	4 9/16	8	3/8	2 5/8	4 9/16	20	3/8	4 9/16	36	7/16 x 5/8	36	36	3/16	0	179	0	177	
5'-5"	8	3/4	3 1/4	5 3/4	10	3/4	5 1/4	5 3/4	11	3/8	5 3/4	36	7/16 x 5/8	36	36	3/16	0	179	0	177	
14'-5"	N/A				N/A				8	1/2	5 3/4	12	9/16 x 3/4	12	12	1/4	1820	472	1796	472	
15'-5"	N/A				N/A				10	5/8	6 7/8	24	11/16 x 7/8	24	13	5/16	1904	503	1880	505	
16'-5"	N/A				N/A				9	5/8	6 7/8	23	11/16 x 7/8	23	13	5/16	1986	535	1965	537	
17'-5"	N/A				N/A				9	5/8	6 7/8	24	11/16 x 7/8	24	13	5/16	1935	566	1919	568	
18'-5"	N/A				N/A				8	5/8	6 7/8	21	11/16 x 7/8	21	12	5/16	2158	599	2142	601	
19'-5"	N/A				N/A				7	5/8	6 7/8	19	11/16 x 7/8	19	10	5/16	2381	632	2365	634	
20'-5"	N/A				N/A				7	5/8	6 7/8	18	11/16 x 7/8	18	9	5/16	2606	665	2590	667	
25'-5"	N/A				N/A				8	3/4	7 1/2	15	13/16 x 1	15	15	3/8	3113	826	3097	827	



	24 ELMWOOD AVE 1901 S. LITCHFIELD RD MOUNTAINTOP, PA GOODYEAR, AZ	Unless otherwise specified, dimensions are in inches & tolerances are: 0.000 = +/- 0.031 FRACTIONAL = +/- 1/32 ANGLES = +/- 1/2 DEG
	P: 800.233.8366 F: 800.526.0841 E: ADS@CORNELLIRON.COM	TITLE: WIND LOAD CONFIGURATION NON-INSULATED ROLLING STEEL DOOR CP0020 SLAT IMPACT RATED
	SIZE: B SCALE: AS NOTED SHEET: 42/46	

L'TR	REVISION	DATE	BY	E.C.O.
*	ORIGINAL ISSUE	10/15/14	TJE	1615
A	REFORMATTED TABLES; HOOD SUPPORT UPDATE	02/14/20	MAN	2027

CP0020 - 0.0405 Minimum Thickness Galvanized or Stainless Steel - 70 PSF																							
Concrete Minimum 3,000 PSI Compressive Strength (Anchors are the same diameter as assembly fasteners)																							
DBG Up To	Windlock Flat Location	Slip	Windlock	Guide Assembly	Windlock Weld Pitch	Assembly Fastener Diameter	Assembly Fastener Spacing	Hilti Kwik Bolt 3				Simpson Wedge All				Red Head Tru-Bolt				Powers Wedge-Bolt			
								Max O.C.	Embed	Min. Wall Thick.	Edge Dist	Max O.C.	Embed	Min. Wall Thick.	Edge Dist	Max O.C.	Embed	Min. Wall Thick.	Edge Dist	Max O.C.	Embed	Min. Wall Thick.	Edge Dist
5'-5"	N/A	N/A	N/A	333*	N/A	3/8	24	36	2 3/8	4	4 9/16	19	2 5/8	3 15/16	4 9/16	19	3	4 1/2	4 9/16	15	2	3	4 9/16
5'-5"	N/A	N/A	N/A	344*	N/A	3/8	24	6	2 3/8	4	5 3/4	10	2 5/8	3 15/16	5 3/4	11	3	4 1/2	5 3/4	21	3 1/2	5 1/4	5 3/4
14'-5"	1 1/2	0.656	CP1152 & CP1153	546	7	5/8	18					9	4 1/2	6 3/4	6 7/8				8	5	7 1/2	6 7/8	
15'-5"	1 5/8	0.781	CP1152 & CP1153	546	7	5/8	18					9	4 1/2	6 3/4	6 7/8				8	5	7 1/2	6 7/8	
16'-5"	1 3/4	0.906	CP1152 & CP1153	546	7	5/8	17					8	4 1/2	6 3/4	6 7/8				7	5	7 1/2	6 7/8	
17'-5"	2	1.156	CP1152 & CP1153	546	7	5/8	16					8	4 1/2	6 3/4	6 7/8				7	5	7 1/2	6 7/8	
18'-5"	2	1.156	CP1152 & CP1153	546	6	5/8	15					7	4 1/2	6 3/4	6 7/8								
19'-5"	2	1.156	CP1152 & CP1153	546	6	5/8	14					7	4 1/2	6 3/4	6 7/8								
20'-5"	2 1/2	1.656	CP1152 & CP1153	648	6	3/4	18					9	5	7 1/2	7 1/2	10	6 5/8	9 15/16	7 1/2				
21'-5"	2 1/2	1.656	CP1152 & CP1153	648	6	3/4	18					8	5	7 1/2	7 1/2	9	6 5/8	9 15/16	7 1/2				
22'-5"	2 1/2	1.656	CP1152 & CP1153	648	6	3/4	18					8	5	7 1/2	7 1/2	7	6 5/8	9 15/16	7 1/2				
23'-5"	2 1/2	1.656	CP1152 & CP1153	648	6	3/4	17					7	5	7 1/2	7 1/2	5	6 5/8	9 15/16	7 1/2				
24'-5"	2 1/2	1.656	CP1152 & CP1153	648	5	3/4	16					7	5	7 1/2	7 1/2								

CP0020 - 0.0405 Minimum Thickness Galvanized or Stainless Steel - 70 PSF, Cont.																						
DBG Up To	Filled CMU											Steel (Wall anchors are the same diameter as assembly fasteners)						Superimposed Loads				
	Hilti Kwik Bolt 3				Simpson Strong-Bolt 2				Through Bolt			Welded		Through Bolt	Tapped		Vx (+)	Vy (+)	Vx (-)	Vy (-)		
	Max O.C.	Dia.	Embed	Edge Dist	Max O.C.	Dia.	Embed	Edge Dist	Max O.C.	Dia.	Edge Distance	Max O.C.	Slot Size	Max O.C.	Max O.C.	Min. Thickness						
5'-5"	10	3/8	2 1/2	4 9/16	9	1/2	3 1/2	4 9/16	19	3/8	4 9/16	36	7/16 x 5/8	36	36	3/16	0	192	0	190		
5'-5"	8	3/4	3 1/4	5 3/4	10	3/4	5 1/4	5 3/4	10	3/8	5 3/4	36	7/16 x 5/8	36	36	3/16	0	193	0	190		
14'-5"		N/A				N/A			9	5/8	6 7/8	23	11/16 x 7/8	23	13	5/16	2002	507	1973	509		
15'-5"		N/A				N/A			9	5/8	6 7/8	22	11/16 x 7/8	22	12	5/16	2078	542	2053	544		
16'-5"		N/A				N/A			8	5/8	6 7/8	21	11/16 x 7/8	21	12	5/16	2163	576	2141	578		
17'-5"		N/A				N/A			8	5/8	6 7/8	22	11/16 x 7/8	22	12	5/16	2106	609	2089	612		
18'-5"		N/A				N/A			7	5/8	6 7/8	20	11/16 x 7/8	20	11	5/16	2343	645	2326	647		
19'-5"		N/A				N/A			7	5/8	6 7/8	18	11/16 x 7/8	18	10	5/16	2582	680	2564	683		
20'-5"		N/A				N/A			9	3/4	7 1/2	36	13/16 x 1	36	20	3/8	2314	713	2298	714		
21'-5"		N/A				N/A			8	3/4	7 1/2	34	13/16 x 1	34	18	3/8	2519	749	2503	749		
22'-5"		N/A				N/A			8	3/4	7 1/2	32	13/16 x 1	32	17	3/8	2726	784	2710	785		
23'-5"		N/A				N/A			7	3/4	7 1/2	30	13/16 x 1	30	16	3/8	2936	819	2920	820		
24'-5"		N/A				N/A			7	3/4	7 1/2	28	13/16 x 1	28	15	3/8	3148	855	3132	856		



	24 ELMWOOD AVE 1901 S. LITCHFIELD RD MOUNTAINTOP, PA GOODYEAR, AZ	Unless otherwise specified, dimensions are in inches & tolerances are: 0.000 = +/- 0.031 FRACTIONAL = +/- 1/32 ANGLES = +/- 1/2 DEG
	P: 800.233.8366 F: 800.526.0841 E: ADS@CORNELLIRON.COM	TITLE: WIND LOAD CONFIGURATION NON-INSULATED ROLLING STEEL DOOR CP0020 SLAT IMPACT RATED

L'TR	REVISION	DATE	BY	E.C.O.
*	ORIGINAL ISSUE	10/15/14	TJE	1615
A	REFORMATTED TABLES; HOOD SUPPORT UPDATE	02/14/20	MAN	2027

CP0020 - 0.0405 Minimum Thickness Galvanized or Stainless Steel - 80 PSF																							
Concrete Minimum 3,000 PSI Compressive Strength (Anchors are the same diameter as assembly fasteners)																							
DBG Up To	Windlock Flat Location	Slip	Windlock	Guide Assembly	Windlock Weld Pitch	Assembly Fastener Diameter	Assembly Fastener Spacing	Hilti Kwik Bolt 3				Simpson Wedge All				Red Head Tru-Bolt				Powers Wedge-Bolt			
								Max O.C.	Embed	Min. Wall Thick.	Edge Dist	Max O.C.	Embed	Min. Wall Thick.	Edge Dist	Max O.C.	Embed	Min. Wall Thick.	Edge Dist	Max O.C.	Embed	Min. Wall Thick.	Edge Dist
5'-5"	N/A	N/A	N/A	333*	N/A	3/8	24	36	2 3/8	4	4 9/16	16	2 5/8	3 15/16	4 9/16	17	3	4 1/2	4 9/16	13	2	3	4 9/16
5'-5"	N/A	N/A	N/A	344*	N/A	3/8	24	N/A	N/A	N/A	N/A	9	2 5/8	3 15/16	5 3/4	9	3	4 1/2	5 3/4	19	3 1/2	5 1/4	5 3/4
14'-5"	1 1/2	0.656	CP1152 & CP1153	546	6	5/8	16	N/A	N/A	N/A	N/A	8	4 1/2	6 3/4	6 7/8	N/A	N/A	N/A	N/A	N/A	N/A	N/A	N/A
15'-5"	1 5/8	0.781	CP1152 & CP1153	546	6	5/8	15	N/A	N/A	N/A	N/A	7	4 1/2	6 3/4	6 7/8	N/A	N/A	N/A	N/A	N/A	N/A	N/A	N/A
16'-5"	1 3/4	0.906	CP1152 & CP1153	546	6	5/8	14	N/A	N/A	N/A	N/A	7	4 1/2	6 3/4	6 7/8	N/A	N/A	N/A	N/A	N/A	N/A	N/A	N/A
17'-5"	2	1.156	CP1152 & CP1153	546	6	5/8	14	N/A	N/A	N/A	N/A	7	4 1/2	6 3/4	6 7/8	N/A	N/A	N/A	N/A	N/A	N/A	N/A	N/A
18'-5"	2 1/4	1.406	CP1152 & CP1153	648	6	3/4	18	N/A	N/A	N/A	N/A	9	5	7 1/2	7 1/2	10	6 5/8	9 15/16	7 1/2	N/A	N/A	N/A	N/A
19'-5"	2 1/2	1.656	CP1152 & CP1153	648	6	3/4	18	N/A	N/A	N/A	N/A	9	5	7 1/2	7 1/2	10	6 5/8	9 15/16	7 1/2	N/A	N/A	N/A	N/A
20'-5"	2 1/2	1.656	CP1152 & CP1153	648	6	3/4	18	N/A	N/A	N/A	N/A	8	5	7 1/2	7 1/2	7	6 5/8	9 15/16	7 1/2	N/A	N/A	N/A	N/A
21'-5"	2 1/2	1.656	CP1152 & CP1153	648	6	3/4	17	N/A	N/A	N/A	N/A	7	5	7 1/2	7 1/2	5	6 5/8	9 15/16	7 1/2	N/A	N/A	N/A	N/A
22'-5"	2 1/2	1.656	CP1152 & CP1153	648	5	3/4	16	N/A	N/A	N/A	N/A	7	5	7 1/2	7 1/2	N/A	N/A	N/A	N/A	N/A	N/A	N/A	N/A

CP0020 - 0.0405 Minimum Thickness Galvanized or Stainless Steel - 80 PSF, Cont.																					
DBG Up To	Filled CMU												Steel (Wall anchors are the same diameter as assembly fasteners)					Superimposed Loads			
	Hilti Kwik Bolt 3				Simpson Strong-Bolt 2				Through Bolt				Welded		Through Bolt	Tapped		Vx (+)	Vy (+)	Vx (-)	Vy (-)
	Max O.C.	Dia.	Embed	Edge Dist	Max O.C.	Dia.	Embed	Edge Dist	Max O.C.	Dia.	Edge Distance	Max O.C.	Slot Size	Max O.C.	Max O.C.	Min. Thickness					
5'-5"	9	3/8	2 1/2	4 9/16	8	1/2	3 1/2	4 9/16	16	3/8	4 9/16	36	7/16 x 5/8	36	36	3/16	0	220	0	217	
5'-5"	11	3/4	4 3/8	5 3/4	8	3/4	5 1/4	5 3/4	9	3/8	5 3/4	36	7/16 x 5/8	36	36	3/16	0	220	0	217	
14'-5"	N/A				N/A				8	5/8	6 7/8	20	11/16 x 7/8	20	11	5/16	2348	580	2316	582	
15'-5"	N/A				N/A				7	5/8	6 7/8	19	11/16 x 7/8	19	10	5/16	2427	619	2399	622	
16'-5"	N/A				N/A				7	5/8	6 7/8	18	11/16 x 7/8	18	10	5/16	2518	659	2493	661	
17'-5"	N/A				N/A				7	5/8	6 7/8	19	11/16 x 7/8	19	10	5/16	2447	697	2428	699	
18'-5"	N/A				N/A				9	3/4	7 1/2	35	13/16 x 1	35	19	3/8	2437	737	2414	737	
19'-5"	N/A				N/A				9	3/4	7 1/2	35	13/16 x 1	35	19	3/8	2444	775	2425	776	
20'-5"	N/A				N/A				8	3/4	7 1/2	32	13/16 x 1	32	17	3/8	2674	815	2655	816	
21'-5"	N/A				N/A				7	3/4	7 1/2	30	13/16 x 1	30	16	3/8	2905	856	2887	857	
22'-5"	N/A				N/A				7	3/4	7 1/2	28	13/16 x 1	28	15	3/8	3140	896	3122	897	



	24 ELMWOOD AVE 1901 S. LITCHFIELD RD MOUNTAINTOP, PA GOODYEAR, AZ	Unless otherwise specified, dimensions are in inches & tolerances are: 0.000 = +/- 0.031 FRACTIONAL = +/- 1/32 ANGLES = +/- 1/2 DEG
	P: 800.233.8366 F: 800.526.0841 E: ADS@CORNELLIRON.COM	TITLE: WIND LOAD CONFIGURATION NON-INSULATED ROLLING STEEL DOOR CP0020 SLAT IMPACT RATED

L'TR	REVISION	DATE	BY	E.C.O.
*	ORIGINAL ISSUE	10/15/14	TJE	1615
A	REFORMATTED TABLES; HOOD SUPPORT UPDATE	02/14/20	MAN	2027

CP0020 - 0.0405 Minimum Thickness Galvanized or Stainless Steel - 90 PSF																							
Concrete Minimum 3,000 PSI Compressive Strength (Anchors are the same diameter as assembly fasteners)																							
DBG Up To	Windlock Flat Location	Slip	Windlock	Guide Assembly	Windlock Weld Pitch	Assembly Fastener Diameter	Assembly Fastener Spacing	Hilti Kwik Bolt 3				Simpson Wedge All				Red Head Tru-Bolt				Powers Wedge-Bolt			
								Max O.C.	Embed	Min. Wall Thick.	Edge Dist	Max O.C.	Embed	Min. Wall Thick.	Edge Dist	Max O.C.	Embed	Min. Wall Thick.	Edge Dist	Max O.C.	Embed	Min. Wall Thick.	Edge Dist
4'-5"	N/A	N/A	N/A	333*	N/A	3/8	24	36	2 3/8	4	4 9/16	18	2 5/8	3 15/16	4 9/16	18	3	4 1/2	4 9/16	14	2	3	4 9/16
4'-5"	N/A	N/A	N/A	344*	N/A	3/8	24	11	2 3/8	5	5 3/4	10	2 5/8	3 15/16	5 3/4	10	3	4 1/2	5 3/4	20	3 1/2	5 1/4	5 3/4
14'-5"	1 1/2	0.656	CP1152 & CP1153	546	6	5/8	14	N/A				7	4 1/2	6 3/4	6 7/8	N/A				N/A			
15'-5"	1 5/8	0.781	CP1152 & CP1153	648	6	3/4	18	N/A				8	5	7 1/2	7 1/2	8	6 5/8	9 15/16	7 1/2	N/A			
16'-5"	1 3/4	0.906	CP1152 & CP1153	648	6	3/4	18	N/A				8	5	7 1/2	7 1/2	7	6 5/8	9 15/16	7 1/2	N/A			
17'-5"	2	1.156	CP1152 & CP1153	648	6	3/4	18	N/A				8	5	7 1/2	7 1/2	7	6 5/8	9 15/16	7 1/2	N/A			
18'-5"	2 1/4	1.406	CP1152 & CP1153	648	6	3/4	18	N/A				8	5	7 1/2	7 1/2	7	6 5/8	9 15/16	7 1/2	N/A			
19'-5"	2 1/2	1.656	CP1152 & CP1153	648	6	3/4	17	N/A				7	5	7 1/2	7 1/2	6	6 5/8	9 15/16	7 1/2	N/A			
20'-5"	2 1/2	1.656	CP1152 & CP1153	648	6	3/4	16	N/A				7	5	7 1/2	7 1/2	N/A				N/A			

CP0020 - 0.0405 Minimum Thickness Galvanized or Stainless Steel - 90 PSF, Cont.																					
DBG Up To	Filled CMU												Steel (Wall anchors are the same diameter as assembly fasteners)					Superimposed Loads			
	Hilti Kwik Bolt 3				Simpson Strong-Bolt 2				Through Bolt				Welded		Through Bolt	Tapped		Vx (+)	Vy (+)	Vx (-)	Vy (-)
	Max O.C.	Dia.	Embed	Edge Dist	Max O.C.	Dia.	Embed	Edge Dist	Max O.C.	Dia.	Edge Distance	Max O.C.	Slot Size	Max O.C.	Max O.C.	Min. Thickness					
4'-5"	10	3/8	2 1/2	4 9/16	8	1/2	3 1/2	4 9/16	18	3/8	4 9/16	36	7/16 x 5/8	36	36	3/16	0	202	0	199	
4'-5"	12	3/4	4 3/8	5 3/4	9	3/4	5 1/4	5 3/4	10	3/8	5 3/4	36	7/16 x 5/8	36	36	3/16	0	203	0	199	
14'-5"	N/A				N/A				7	5/8	6 7/8	17	11/16 x 7/8	17	9	5/16	2694	653	2658	656	
15'-5"	N/A				N/A				8	3/4	7 1/2	31	13/16 x 1	31	17	3/8	2791	699	2748	700	
16'-5"	N/A				N/A				8	3/4	7 1/2	30	13/16 x 1	30	16	3/8	2886	743	2848	744	
17'-5"	N/A				N/A				8	3/4	7 1/2	31	13/16 x 1	31	17	3/8	2801	786	2770	787	
18'-5"	N/A				N/A				8	3/4	7 1/2	31	13/16 x 1	31	17	3/8	2773	829	2748	830	
19'-5"	N/A				N/A				7	3/4	7 1/2	31	13/16 x 1	31	17	3/8	2777	872	2757	873	
20'-5"	N/A				N/A				7	3/4	7 1/2	28	13/16 x 1	28	15	3/8	3033	918	3013	919	



	24 ELMWOOD AVE 1901 S. LITCHFIELD RD MOUNTAINTOP, PA GOODYEAR, AZ	Unless otherwise specified, dimensions are in inches & tolerances are: 0.000 = +/- 0.031 FRACTIONAL = +/- 1/32 ANGLES = +/- 1/2 DEG
	P: 800.233.8366 F: 800.526.0841 E: ADS@CORNELLIRON.COM	TITLE: WIND LOAD CONFIGURATION NON-INSULATED ROLLING STEEL DOOR CP0020 SLAT IMPACT RATED
	SIZE: B SCALE: AS NOTED SHEET: 45/46	

L'TR	REVISION	DATE	BY	E.C.O.
*	ORIGINAL ISSUE	10/15/14	TJE	1615
A	REFORMATTED TABLES; HOOD SUPPORT UPDATE	02/14/20	MAN	2027

CP0020 - 0.0405 Minimum Thickness Galvanized or Stainless Steel - 100 PSF																							
Concrete Minimum 3,000 PSI Compressive Strength (Anchors are the same diameter as assembly fasteners)																							
DBG Up To	Windlock Flat Location	Slip	Windlock	Guide Assembly	Windlock Weld Pitch	Assembly Fastener Diameter	Assembly Fastener Spacing	Hilti Kwik Bolt 3				Simpson Wedge All				Red Head Tru-Bolt				Powers Wedge-Bolt			
								Max O.C.	Embed	Min. Wall Thick.	Edge Dist	Max O.C.	Embed	Min. Wall Thick.	Edge Dist	Max O.C.	Embed	Min. Wall Thick.	Edge Dist	Max O.C.	Embed	Min. Wall Thick.	Edge Dist
4'-5"	N/A	N/A	N/A	333*	N/A	3/8	24	36	2 3/8	4	4 9/16	16	2 5/8	3 15/16	4 9/16	16	3	4 1/2	4 9/16	13	2	3	4 9/16
4'-5"	N/A	N/A	N/A	344*	N/A	3/8	24	N/A				9	2 5/8	3 15/16	5 3/4	9	3	4 1/2	5 3/4	18	3 1/2	5 1/4	5 3/4
14'-5"	1 1/2	0.656	CP1152 & CP1153	648	5	3/4	18	N/A				7	5	7 1/2	7 1/2	5	6 5/8	9 15/16	7 1/2	N/A			
15'-5"	1 5/8	0.781	CP1152 & CP1153	648	5	3/4	17	N/A				7	5	7 1/2	7 1/2	N/A							
16'-5"	1 3/4	0.906	CP1152 & CP1153	648	5	3/4	17	N/A				7	5	7 1/2	7 1/2	N/A							
17'-5"	2	1.156	CP1152 & CP1153	648	5	3/4	16	N/A				7	5	7 1/2	7 1/2	N/A							
18'-5"	2 1/4	1.406	CP1152 & CP1153	648	5	3/4	16	N/A				7	5	7 1/2	7 1/2	N/A							
19'-5"	2 1/2	1.656	CP1152 & CP1153	648	5	3/4	15	N/A				7	5	7 1/2	7 1/2	N/A							

CP0020 - 0.0405 Minimum Thickness Galvanized or Stainless Steel - 100 PSF, Cont.																					
DBG Up To	Filled CMU											Steel (Wall anchors are the same diameter as assembly fasteners)					Superimposed Loads				
	Hilti Kwik Bolt 3				Simpson Strong-Bolt 2				Through Bolt			Welded		Through Bolt	Tapped						
	Max O.C.	Dia.	Embed	Edge Dist	Max O.C.	Dia.	Embed	Edge Dist	Max O.C.	Dia.	Edge Dist	Max O.C.	Slot Size	Max O.C.	Max O.C.	Min. Thickness	Vx (+)	Vy (+)	Vx (-)	Vy (-)	
4'-5"	9	3/8	2 1/2	4 9/16	15	3/4	5 1/4	4 9/16	16	3/8	4 9/16	36	7/16 x 5/8	36	36	3/16	0	224	0	221	
4'-5"	11	3/4	4 3/8	5 3/4	8	3/4	5 1/4	5 3/4	9	3/8	5 3/4	36	7/16 x 5/8	36	36	3/16	0	225	0	221	
14'-5"	N/A				N/A				7	3/4	7 1/2	29	13/16 x 1	29	15	3/8	3057	728	3004	729	
15'-5"	N/A				N/A				7	3/4	7 1/2	28	13/16 x 1	28	15	3/8	3142	777	3095	778	
16'-5"	N/A				N/A				7	3/4	7 1/2	27	13/16 x 1	27	14	3/8	3243	826	3201	827	
17'-5"	N/A				N/A				7	3/4	7 1/2	28	13/16 x 1	28	15	3/8	3144	874	3110	875	
18'-5"	N/A				N/A				7	3/4	7 1/2	28	13/16 x 1	28	15	3/8	3109	921	3081	923	
19'-5"	N/A				N/A				7	3/4	7 1/2	28	13/16 x 1	28	15	3/8	3111	969	3089	970	



	24 ELMWOOD AVE 1901 S. LITCHFIELD RD MOUNTAINTOP, PA GOODYEAR, AZ	Unless otherwise specified, dimensions are in inches & tolerances are: 0.000 = +/- 0.031 FRACTIONAL = +/- 1/32 ANGLES = +/- 1/2 DEG	
	P: 800.233.8366 F: 800.526.0841 E: ADS@CORNELLIRON.COM		
TITLE: WIND LOAD CONFIGURATION NON-INSULATED ROLLING STEEL DOOR CP0020 SLAT IMPACT RATED		DRAWN BY: TJE DWG NO: ES-16-60-CIW	SIZE: B SCALE: AS NOTED SHEET: 46/46