



DEPARTMENT OF REGULATORY AND ECONOMIC RESOURCES (RER)
BOARD AND CODE ADMINISTRATION DIVISION

NOTICE OF ACCEPTANCE (NOA)

MIAMI-DADE COUNTY
PRODUCT CONTROL SECTION

11805 SW 26 Street, Room 208
Miami, Florida 33175-2474
T (786) 315-2590 F (786) 315-2599

www.miamidade.gov/economy

Cornell Iron Works, Inc.
24 Elmwood Avenue
Mountaintop, PA 18707

SCOPE: This NOA is being issued under the applicable rules and regulations governing the use of construction materials. The documentation submitted has been reviewed and accepted by Miami-Dade County RER-Product Control Section to be used in Miami-Dade County and other areas where allowed by the Authority Having Jurisdiction (AHJ).

This NOA shall not be valid after the expiration date stated below. The Miami-Dade County Product Control Section (In Miami-Dade County) and/ or the AHJ (in areas other than Miami-Dade County) reserve the right to have this product or material tested for quality assurance purposes. If this product or material fails to perform in the accepted manner, the manufacturer will incur the expense of such testing and the AHJ may immediately revoke, modify, or suspend the use of such product or material within their jurisdiction. RER reserves the right to revoke this acceptance if it is determined by Miami-Dade County Product Control Section that this product or material fails to meet the requirements of the applicable building code.

This product is approved as described herein and has been designed to comply with the Florida Building Code, including the High Velocity Hurricane Zone.

DESCRIPTION: Perforated Slat Steel Rolling Door up to 27'-5" Wide (50 FPS Impact)

APPROVAL DOCUMENT: Drawing No. **ES-16-74-CIW**, titled "27'-5" Wide 60 PSF 50 FPS Perforated Rolling Steel Door", sheets 1 through 6 of 6, dated 07/22/2015, with revision A dated 02/06/2020, prepared by Cornell Iron Works, Inc., signed and sealed by Shawn Patrick Kelley, P.E. on 03/18/2020, bearing the Miami-Dade County Product Control renewal stamp with the Notice of Acceptance number and expiration date by the Miami-Dade County Product Control Section.

MISSILE IMPACT RATING: Large and Small Missile Impact Resistant

LABELING: A permanent label with the manufacturer's name or logo, one of the 2 manufacturing addresses on drawings, model number, the positive and negative design pressure rating, indicate impact rated if applicable, installation instruction drawing reference number, approval number (NOA), the applicable test standards, and the statement reading 'Miami-Dade County Product Control Approved' is to be located on the door's side track, bottom angle, or inner surface of a panel.

RENEWAL of this NOA shall be considered after a renewal application has been filed and there has been no change in the applicable building code negatively affecting the performance of this product.

TERMINATION of this NOA will occur after the expiration date or if there has been a revision or change in the materials, use, and/ or manufacture of the product or process. Misuse of this NOA as an endorsement of any product, for sales, advertising or any other purposes shall automatically terminate this NOA. Failure to comply with any section of this NOA shall be cause for termination and removal of NOA.

ADVERTISEMENT: The NOA number preceded by the words Miami-Dade County, Florida, and followed by the expiration date may be displayed in advertising literature. If any portion of the NOA is displayed, then it shall be done in its entirety.

INSPECTION: A copy of this entire NOA shall be provided to the user by the manufacturer or its distributors and shall be available for inspection at the job site at the request of the Building Official.

This NOA **renews NOA # 18-0125.16** and consists of this page 1 and evidence pages E-1 and E-2, as well as approval document mentioned above.

The submitted documentation was reviewed by **Carlos M. Utrera, P.E.**



NOA No. 20-0416.23
Expiration Date: November 12, 2025
Approval Date: May 28, 2020

NOTICE OF ACCEPTANCE: EVIDENCE SUBMITTED

1. EVIDENCE SUBMITTED UNDER PREVIOUS NOA's

A. DRAWINGS “Submitted under NOA # 15-0914.15”

1. Drawing No. **ES-16-74-CIW**, titled “27'-5” Wide 60 PSF 50 FPS Perforated Rolling Steel Door”, sheets 1 through 5 of 5, dated 07/22/2015, prepared by Cornell Iron Works, Inc., signed and sealed by Joseph H. Dixon, Jr., P.E.

B. TESTS “Submitted under NOA # 15-0914.14”

1. Test reports on 1) Uniform Static Air Pressure Test, Loading per FBC, TAS 202-94
2) Large Missile Impact Test per FBC, TAS 201-94
3) Cyclic Wind Pressure Loading per FBC, TAS 203-94
4) Forced Entry Test, per FBC, TAS 202-94
5) Tensile Test per ASTM E8-08,
along with marked-up drawings and installation diagram of CP0020 Perforated Slat Roll-up Garage Doors, prepared by Architectural Testing, Inc., Test Report No. **D5148.01-109-18**, dated 06/20/2014, signed and sealed by Michael D. Stremmel, P.E.
2. Test report on Salt Spray Performance Test per ASTM B117-09 of G90 unpainted and G40 painted samples, prepared by Intertek, Test Report No. **G100075502MID-002**, dated 05/26/2010, signed and sealed by Rick Curkeet, P.E.

C. CALCULATIONS “Submitted under NOA # 15-0914.14”

1. Calculations prepared by Joseph H. Dixon, Jr., P.E., dated 08/10/2015, signed and sealed by Joseph H. Dixon, Jr., P.E.

D. QUALITY ASSURANCE

1. Miami-Dade Department of Regulatory and Economic Resources (RER)

E. MATERIAL CERTIFICATIONS

1. None.

F. STATEMENTS “Submitted under NOA # 15-0914.15”

1. Private label agreement dated 08/18/2015.

“Submitted under NOA # 15-0914.14”
2. Statement letter of code conformance to the 5th edition (2014) FBC issued by Joseph H. Dixon, Jr., P.E., dated 09/08/2015, signed and sealed by Joseph H. Dixon, Jr., P.E.
3. Statement letter of no financial interest issued by Joseph H. Dixon, Jr., P.E., dated 09/08/2015, signed and sealed by Joseph H. Dixon, Jr., P.E.



Carlos M. Utrera, P.E.
Product Control Examiner
NOA No. 20-0416.23
Expiration Date: November 12, 2025
Approval Date: May 28, 2020

NOTICE OF ACCEPTANCE: EVIDENCE SUBMITTED

2. NEW EVIDENCE SUBMITTED

A. DRAWINGS

1. Drawing No. **ES-16-74-CIW**, titled “27’-5” Wide 60 PSF 50 FPS Perforated Rolling Steel Door”, sheets 1 through 6 of 6, dated 07/22/2015, with revision A dated 02/06/2020, prepared by Cornell Iron Works, Inc., signed and sealed by Shawn Patrick Kelley, P.E. on 03/18/2020.

B. TESTS

1. None.

C. CALCULATIONS “Submitted under NOA # 18-0125.08”

1. Calculations prepared by Moment Engineering+ Design, LLC, dated 01/12/2018, signed and sealed by Shawn Patrick Kelley, P.E.

D. QUALITY ASSURANCE

1. Miami-Dade Department of Regulatory and Economic Resources (RER)

E. MATERIAL CERTIFICATIONS

1. None.

F. STATEMENTS

1. Statement letter of code conformance to **FBC 6th Edition (2017)** and of no financial interest, dated March 21, 2020, issued by Moment Engineering+ Design, LLC, signed and sealed by Shawn Patrick Kelley, P.E.
2. Private label agreement dated 02/27/2020.

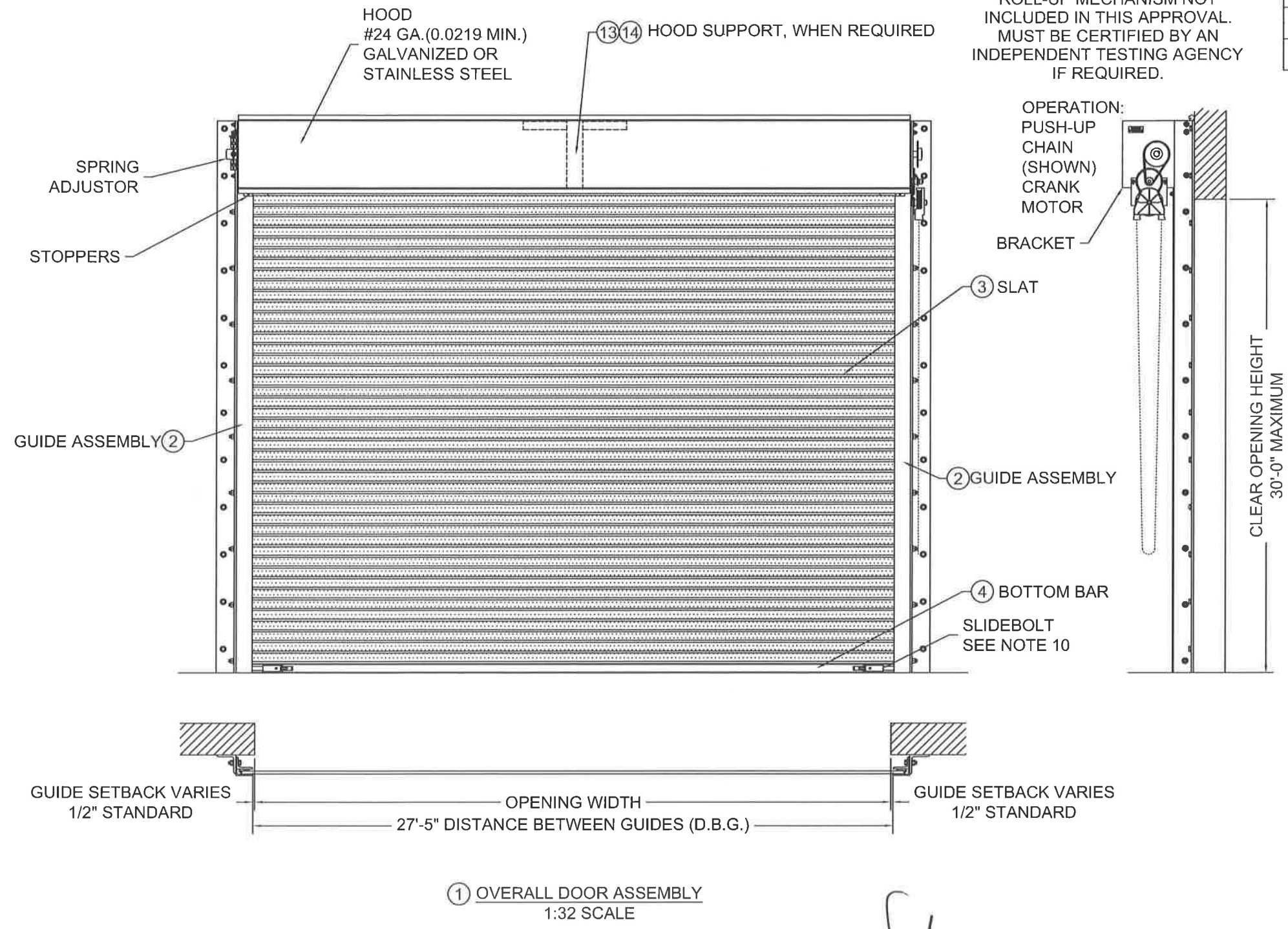


Carlos M. Utrera, P.E.
Product Control Examiner
NOA No. 20-0416.23
Expiration Date: November 12, 2025
Approval Date: May 28, 2020

L'TR	REVISION	DATE	BY	E.C.O.
*	ORIGINAL ISSUE	07/22/2015	TJE	1669
A	REVISED TITLE BLOCK; HOOD SUPPORT UPDATE	02/06/2020	MAN	2026

- NOTES:
- THIS ROLL-UP DOOR SYSTEM IS DESIGNED IN ACCORDANCE WITH THE FLORIDA BUILDING CODE, AS A LARGE MISSILE IMPACT RESISTANT SYSTEM.
 - POSITIVE AND NEGATIVE DESIGN PRESSURE CALCULATIONS SHALL BE PERFORMED FOR SPECIFIC JOBS IN ACCORDANCE WITH ASCE 7 *MINIMUM DESIGN LOADS FOR BUILDINGS AND OTHER STRUCTURES*. WIND LOADS DETERMINED FOR OPENINGS SHALL BE LESS THAN OR EQUAL TO DOOR DESIGN PRESSURES NOTED BELOW.
 POSITIVE DESIGN LOAD = 60 PSF
 NEGATIVE DESIGN LOAD = 60 PSF
 - THE DETAILS AND SPECIFICATIONS SHOWN HEREIN REPRESENT THE PRODUCTS TESTED FOR UNIFORM STATIC AIR PRESSURE IN CONFORMANCE WITH DADE COUNTY PROTOCOLS TAS 201, 202 AND 203.
 - TESTING PERFORMED BY ARCHITECTURAL TESTING, INC. (YORK, PENNSYLVANIA) TEST REPORT No. D5148.01-109-18.
 - SUPERIMPOSED LOADS ON THE JAMBS FROM THIS DOOR ARE DESIGNATED AS F1, F2, AND F3 HEREIN. CONTRACTORS SHALL HAVE FLORIDA REGISTERED PROFESSIONAL ENGINEER VERIFY ADEQUACY OF BUILDING STRUCTURE TO RESIST SUPERIMPOSED LOAD F1, F2, AND F3.
 - ALL WELDING SHALL BE PERFORMED BY QUALIFIED WELDERS IN ACCORDANCE WITH AWS SPECIFICATIONS, LATEST EDITION. ALL WELDING ELECTRODES SHALL CONFORM TO AWS A5.1, GRADE E-70. MINIMUM WELDING PROCESS SHALL BE ARC WELDING AWS E7014 OR MIG WELDING AWS ER70S-6.
 - ANCHOR NOTES:
 A. EMBEDMENT DEPTH DOES NOT INCLUDE STUCCO FINISH.
 B. ANCHORS SHALL BE INSTALLED IN ACCORDANCE WITH MANUFACTURERS SPECIFICATIONS.
 - DOOR MAY BE INSTALLED ON THE INSIDE OR OUTSIDE OF AN EXTERIOR WALL.
 - A 33% INCREASE IN ALLOWABLE STRESS HAS NOT BEEN USED IN THE DESIGN OF THIS PRODUCT.
 - SLIDE BOLTS ARE NOT REQUIRED FOR WINDLOAD RESISTANCE. SLIDE BOLTS ARE ONLY REQUIRED ON PUSH UP OPERATED UNITS FOR FORCED ENTRY RESISTANCE. LOCKING IS TO BE PROVIDED BY OTHERS OR AS CYLINDER LOCKS BY CORNELL IRON WORKS.
 - GUIDE ASSEMBLY AND BOTTOM BAR ARE TO BE PROTECTED FROM CORROSION WITH POLYESTER POWDER COATING WHEN NOT MINIMUM G90 GALVANIZED STEEL OR STAINLESS STEEL.
 - SLATS MAY BE PROVIDED AS SOLID OR PERFORATED IN ANY ORDER OR COMBINATION. SEE ADDITIONAL NOTES FOR PERFORATED SLAT LOCATED ON SHEET 5.
 - ENDLOCK/WINDLOCKS AND WINDLOCKS ARE SECURED TO EACH END OF ALTERNATING SLATS WITH (3) 1/4" RIVETS RESULTING IN CONTINUOUS SLAT WINDLOCK SUPPORT.

ROLL-UP MECHANISM NOT INCLUDED IN THIS APPROVAL. MUST BE CERTIFIED BY AN INDEPENDENT TESTING AGENCY IF REQUIRED.



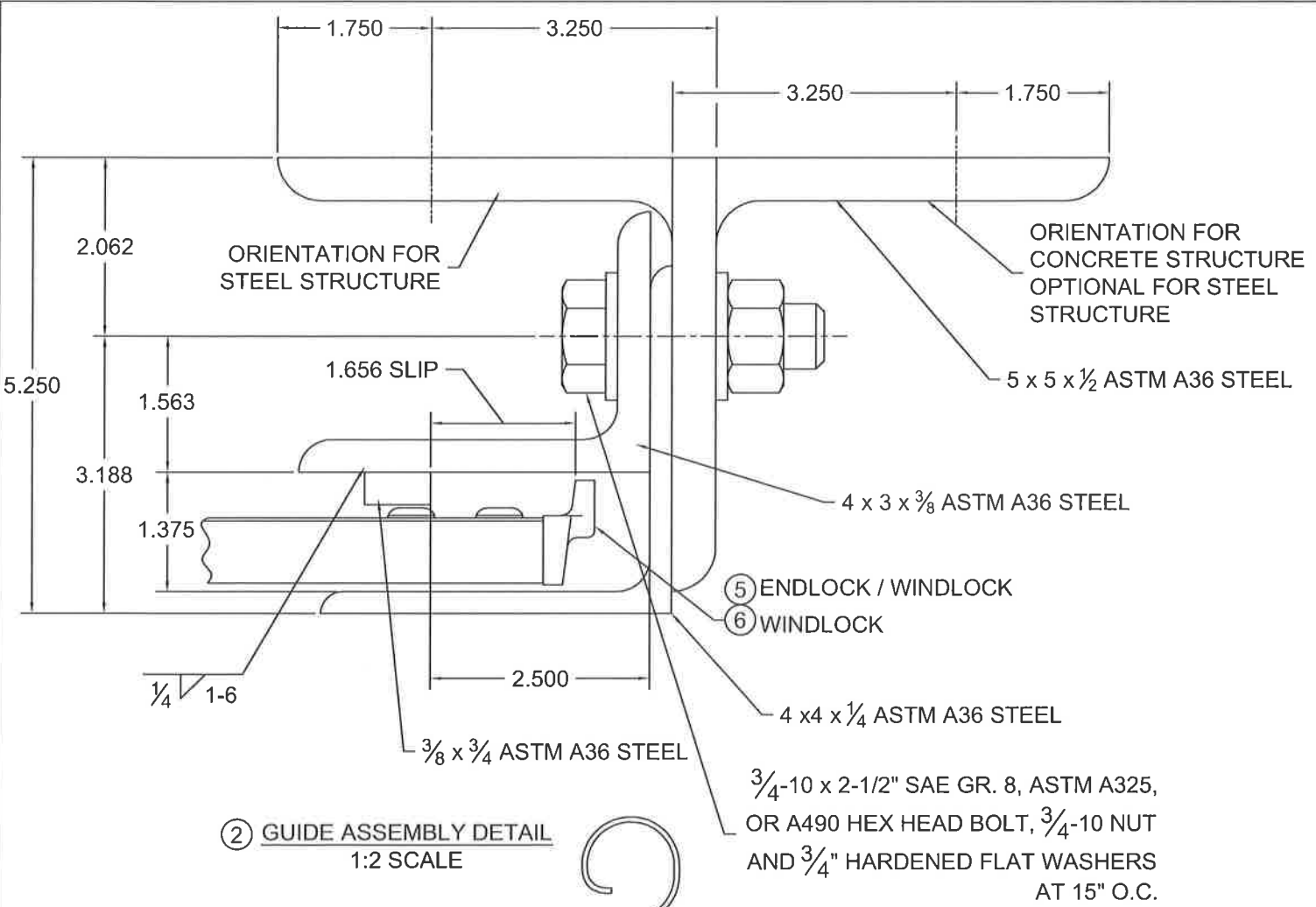
① OVERALL DOOR ASSEMBLY
1:32 SCALE

PRODUCT RENEWED
 as complying with the Florida Building Code
 NOA-No. 20-0416.23
 Expiration Date 11/12/2025
 By *[Signature]*
 Miami-Dade Product Control

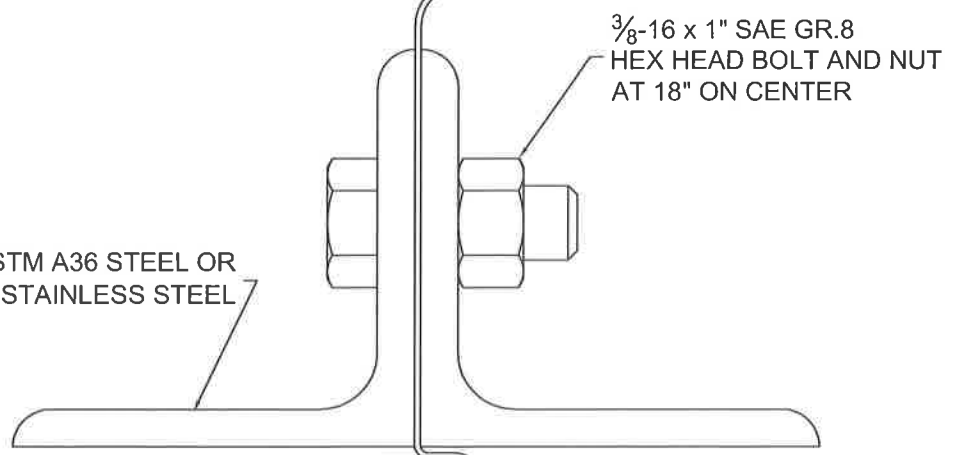


CORNELL Innovative door solutions™	24 ELMWOOD AVE 1901 S. LITCHFIELD RD MOUNTAINTOP, PA GOODYEAR, AZ	Unless otherwise specified, dimensions are in inches & tolerances are: 0.000 = +/- 0.031 FRACTIONAL = +/- 1/32 ANGLES = +/- 1/2 DEG
	P: 800.233.8366 F: 800.526.0841 E: ADS@CORNELLIRON.COM	
TITLE: MIAMI DADE COUNTY APPROVED 27'-5" WIDE 60 PSF 50 FPS PERFORATED ROLLING STEEL DOOR		DRAWN BY: TJE SIZE: B SCALE: AS NOTED SHEET: 1/6 DWG NO: ES-16-74-CIW

L'TR	REVISION	DATE	BY	E.C.O.
*	ORIGINAL ISSUE	07/22/2015	TJE	1669
A	REVISED TITLE BLOCK; HOOD SUPPORT UPDATE	02/06/2020	MAN	2026



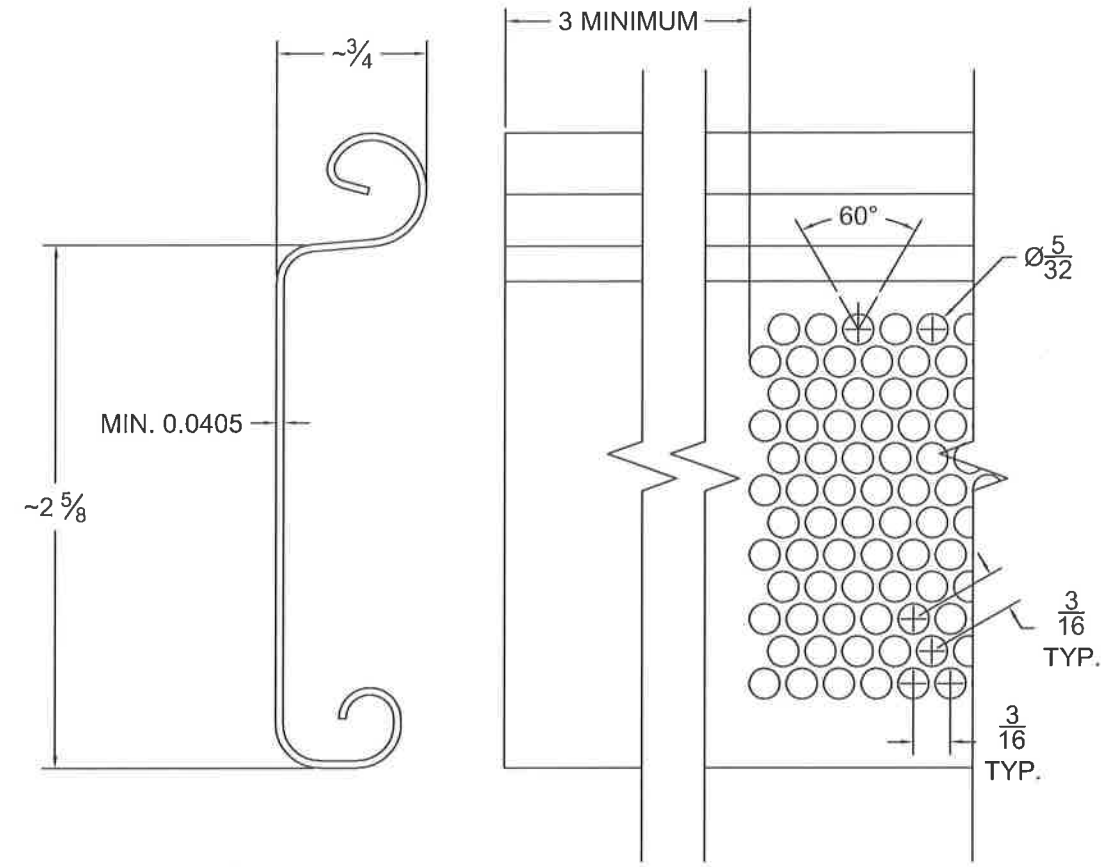
② **GUIDE ASSEMBLY DETAIL**
1:2 SCALE



④ **BOTTOM BAR DETAIL**
TYPICAL SECTION
FULL SCALE

OPTIONS:
WEATHERING (SHOWN)
OR SENSING EDGE

PRODUCT RENEWED
as complying with the Florida
Building Code
NOA-No. 20-0416.23
Expiration Date 11/12/2025
By *[Signature]*
Miami-Dade Product Control

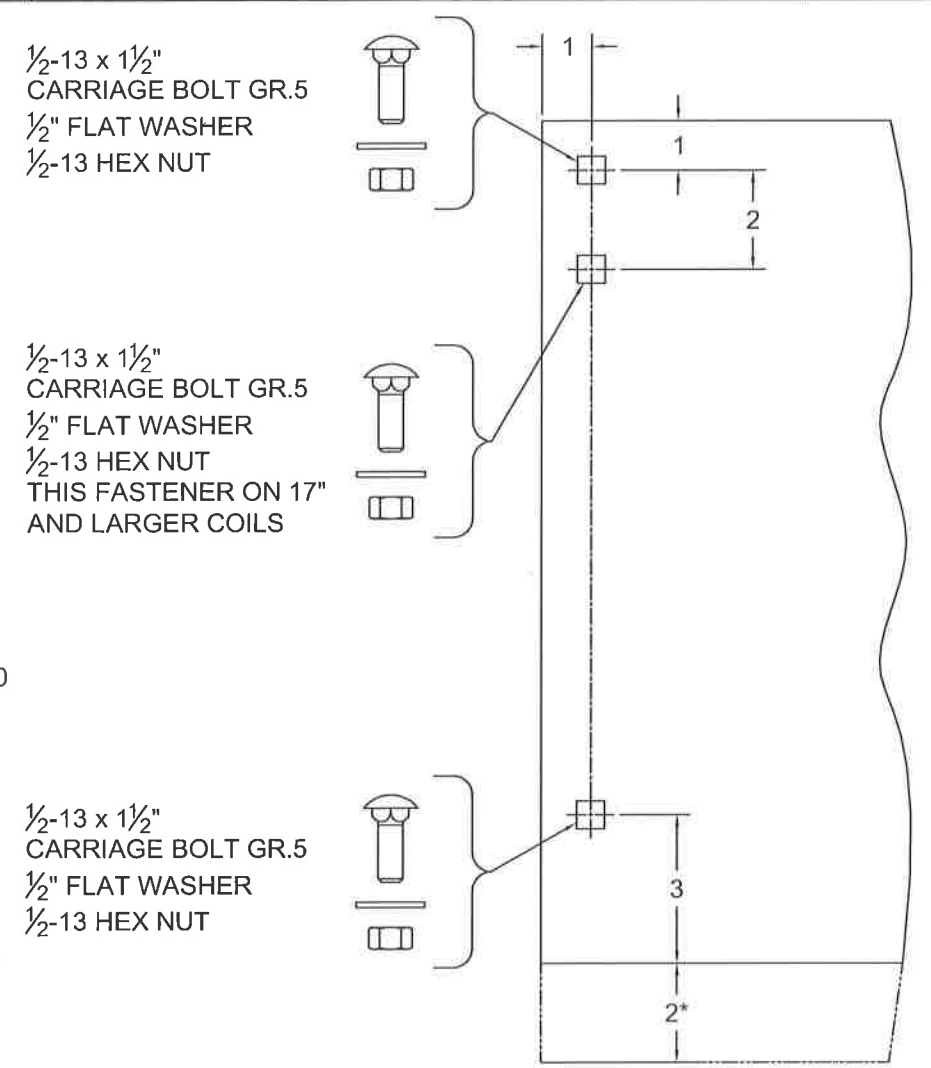
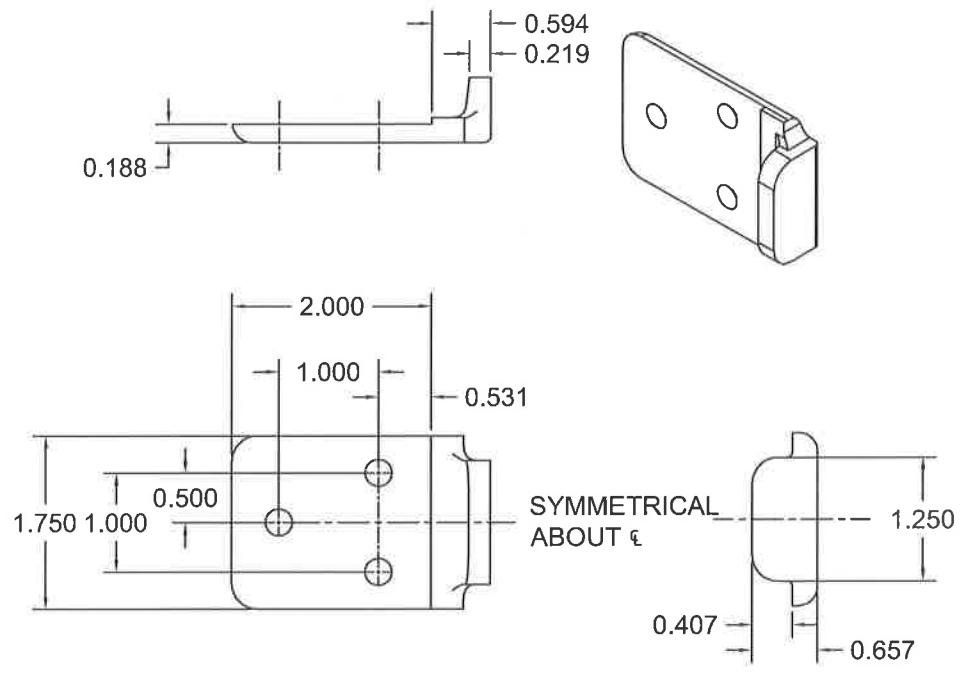
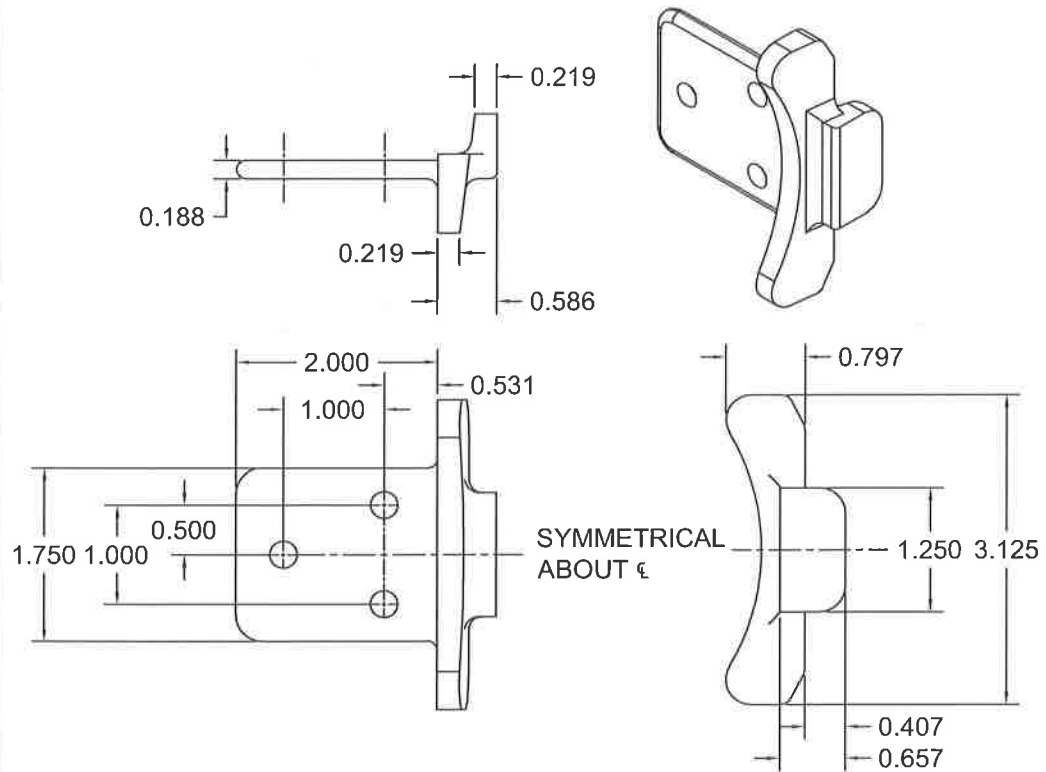


③ **SLAT DETAIL**

ASTM A653 HSLAS TYPE B GRADE 40 G40 WITH POLYESTER BASED COATING OR
ASTM A653 HSLAS TYPE A GRADE 40 G40 WITH POLYESTER BASED COATING OR
ASTM A653 STRUCTURAL STEEL GRADE 40 G40 WITH POLYESTER BASED COATING
OR TYPE 304 STAINLESS STEEL (MIN. YIELD 40,000 psi)
OR TYPE 316 STAINLESS STEEL (MIN. YIELD 40,000 psi)
OR TYPE 430 STAINLESS STEEL (MIN. YIELD 40,000 psi)
OR TYPE 201 STAINLESS STEEL (MIN. YIELD 40,000 psi)
FULL SCALE

	24 ELMWOOD AVE 1901 S. LITCHFIELD RD MOUNTAINTOP, PA GOODYEAR, AZ	Unless otherwise specified, dimensions are in inches & tolerances are: 0.000 = +/- 0.031 FRACTIONAL = +/- 1/32 ANGLES = +/- 1/2 DEG			
	P: 800.233.8366 F: 800.526.0841 E: ADS@CORNELLIRON.COM				
TITLE: MIAMI DADE COUNTY APPROVED 27'-5" WIDE 60 PSF 50 FPS PERFORATED ROLLING STEEL DOOR		DRAWN BY: TJE	SIZE: B	SCALE: AS NOTED	SHEET: 2/6
		DWG NO: ES-16-74-CIW			

L'TR	REVISION	DATE	BY	E.C.O.
*	ORIGINAL ISSUE	07/22/2015	TJE	1669
A	REVISED TITLE BLOCK; HOOD SUPPORT UPDATE	02/06/2020	MAN	2026



⑤ ENDLOCK / WINDLOCK DETAIL

CAST MALLEABLE IRON ASTM A47, GRADE 32510, OR
 DUCTILE IRON PER ASTM A536 GRADE 65-45-12, GALVANIZED IN ACCORDANCE WITH
 ASTM A123, GRADE 85 ZINC-COATING
 1/2 SCALE

⑥ WINDLOCK DETAIL

CAST MALLEABLE IRON ASTM A47, GRADE 32510, OR
 DUCTILE IRON PER ASTM A536 GRADE 65-45-12, GALVANIZED IN
 ACCORDANCE WITH ASTM A123, GRADE 85 ZINC-COATING
 1/2 SCALE

⑦ BRACKET MOUNTING DETAIL

0.172 MIN. THICKNESS
 * 2" EXTENSION WHEN 8" AND LARGER SHAFT ASSEMBLY IS SUPPLIED
 1/4 SCALE

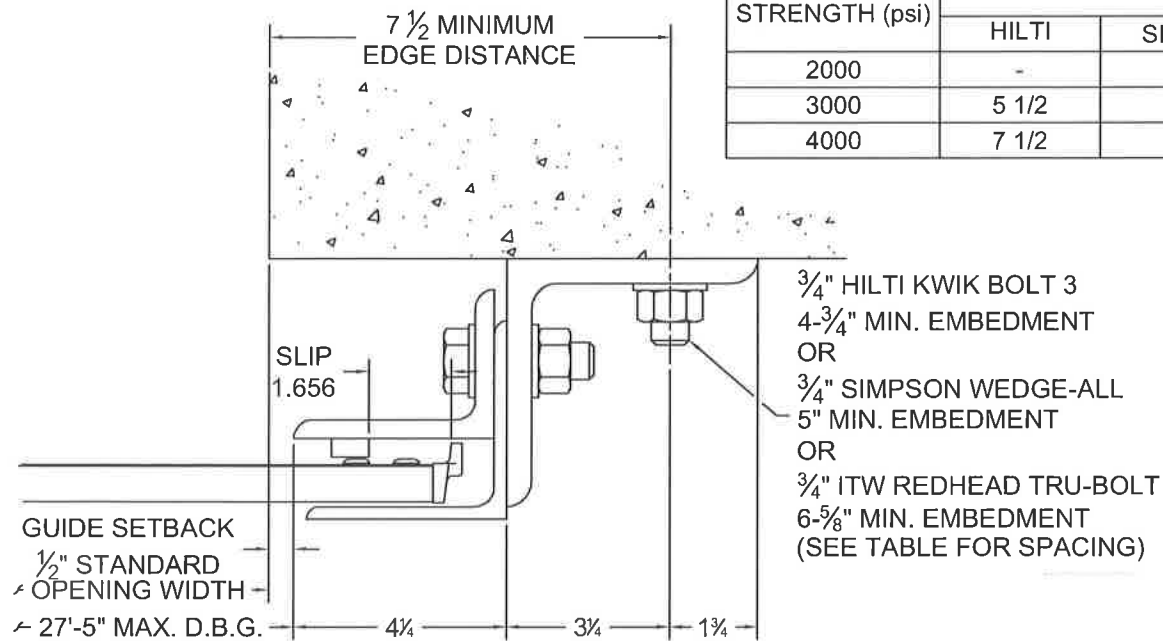
PRODUCT RENEWED
 as complying with the Florida
 Building Code
 NOA-No. 20-0416.23
 Expiration Date 11/12/2025
 By *[Signature]*
 Miami-Dade Product Control



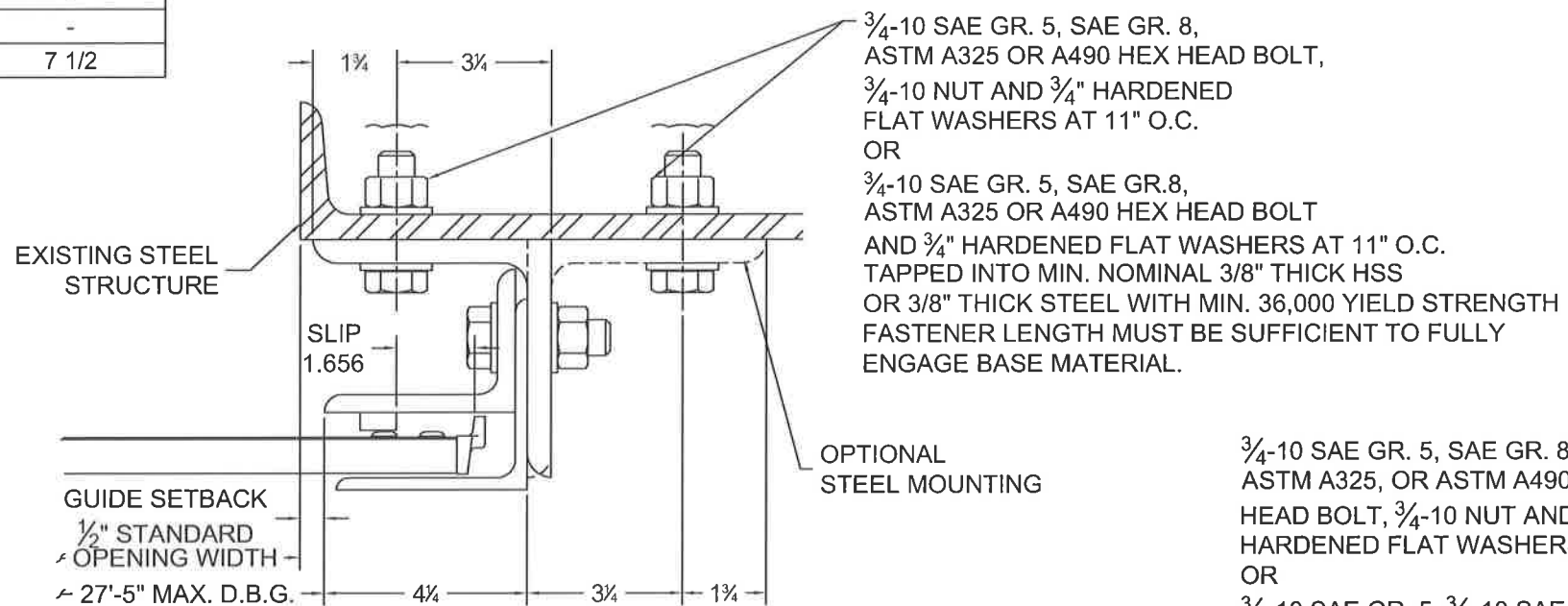
	24 ELMWOOD AVE 1901 S. LITCHFIELD RD MOUNTAINTOP, PA GOODYEAR, AZ	Unless otherwise specified, dimensions are in inches & tolerances are: 0.000 = +/- 0.031 FRACTIONAL = +/- 1/32 ANGLES = +/- 1/2 DEG
	P: 800.233.8366 F: 800.526.0841 E: ADS@CORNELLIRON.COM	
TITLE: MIAMI DADE COUNTY APPROVED 27'-5" WIDE 60 PSF 50 FPS PERFORATED ROLLING STEEL DOOR		DRAWN BY: TJE
		SIZE: B
		SCALE: AS NOTED
		SHEET: 3/6
		DWG NO: ES-16-74-CIW

CONCRETE FASTENER SPACING			
CONCRETE STRENGTH (psi)	MAXIMUM FASTENER SPACING (in.)		
	HILTI	SIMPSON	ITW REDHEAD
2000	-	2 1/2	-
3000	5 1/2	6 1/2	-
4000	7 1/2	8	7 1/2

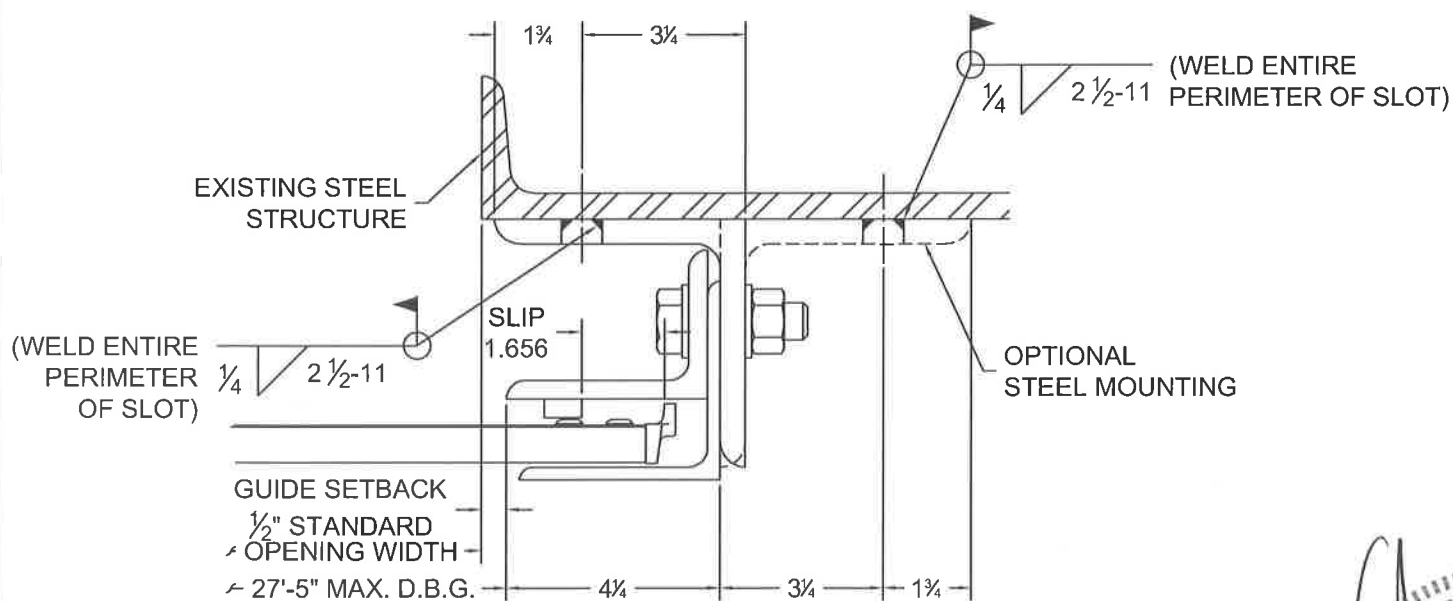
L/TR	REVISION	DATE	BY	E.C.O.
*	ORIGINAL ISSUE	07/22/2015	TJE	1669
A	REVISED TITLE BLOCK; HOOD SUPPORT UPDATE	02/06/2020	MAN	2026



⑧ GUIDE ASSEMBLY
CONCRETE STRUCTURE
(Z-GUIDE)

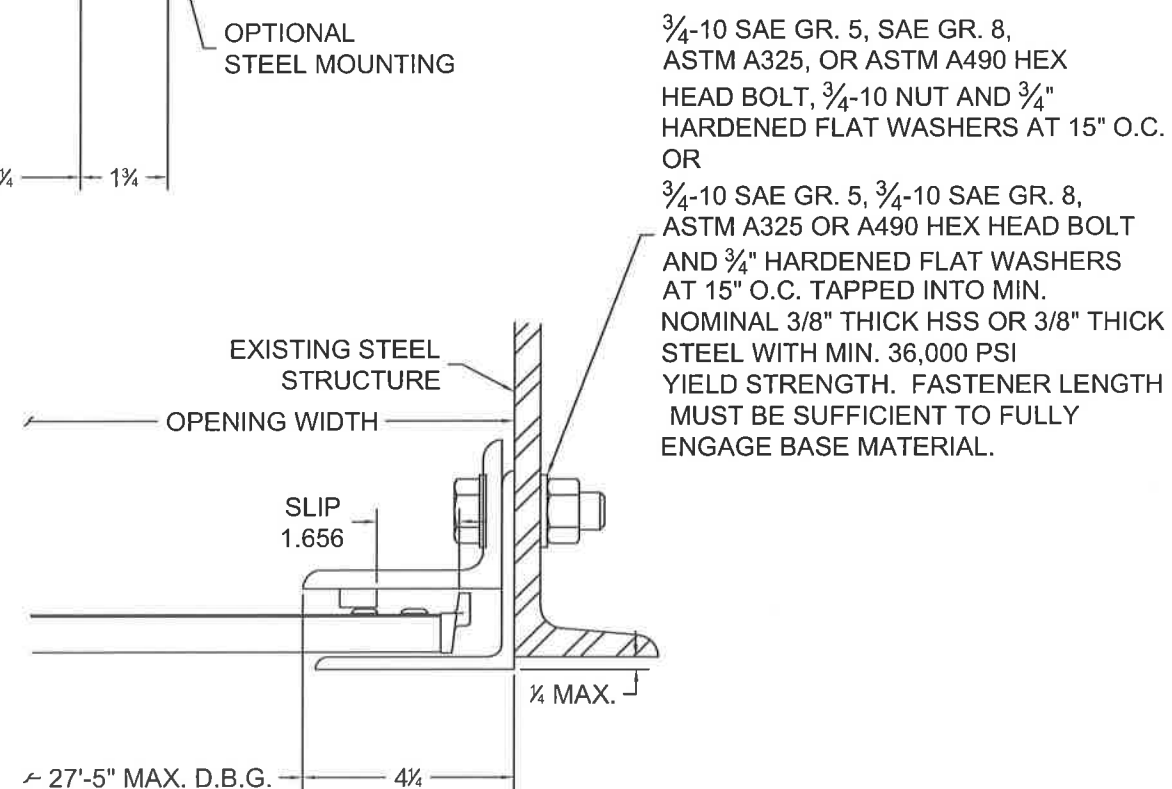


⑨ GUIDE ASSEMBLY
STEEL STRUCTURE
(Z-GUIDE OR E-GUIDE)



⑩ GUIDE ASSEMBLY
STEEL STRUCTURE
(Z-GUIDE OR E-GUIDE)

PRODUCT RENEWED
as complying with the Florida
Building Code
NOA-No. 20-0416.23
Expiration Date 11/12/2025
By *[Signature]*
Miami-Dade Product Control



⑪ GUIDE ASSEMBLY
STEEL STRUCTURE
(BETWEEN JAMBS GUIDE)

CORNELL
Innovative door solutions™

24 ELMWOOD AVE 1901 S. LITCHFIELD RD
MOUNTAINTOP, PA GOODYEAR, AZ

P: 800.233.8366
F: 800.526.0841
E: ADS@CORNELLIRON.COM

Unless otherwise specified,
dimensions are in inches &
tolerances are:

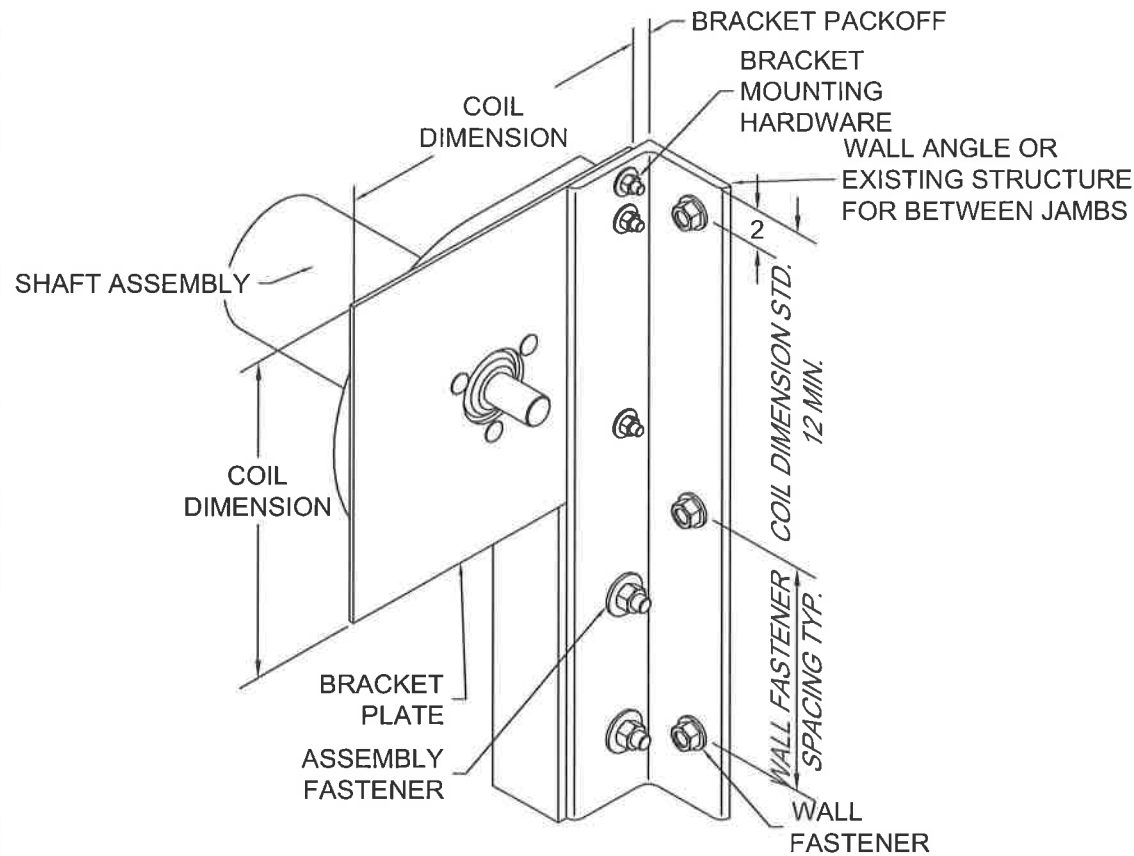
0.000 = +/- 0.031
FRACTIONAL = +/- 1/32
ANGLES = +/- 1/2 DEG

TITLE: MIAMI DADE COUNTY APPROVED
27'-5" WIDE 60 PSF 50 FPS
PERFORATED ROLLING STEEL DOOR

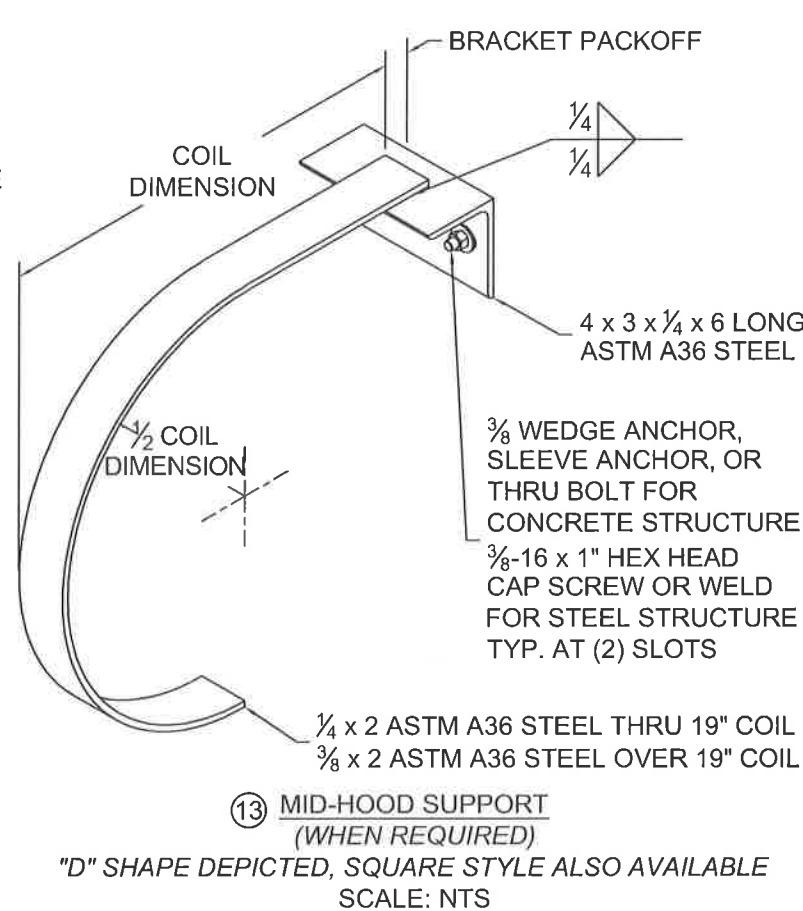
DRAWN BY: TJE
SIZE: B
SCALE: AS NOTED
SHEET: 4/6

DWG NO: ES-16-74-CIW

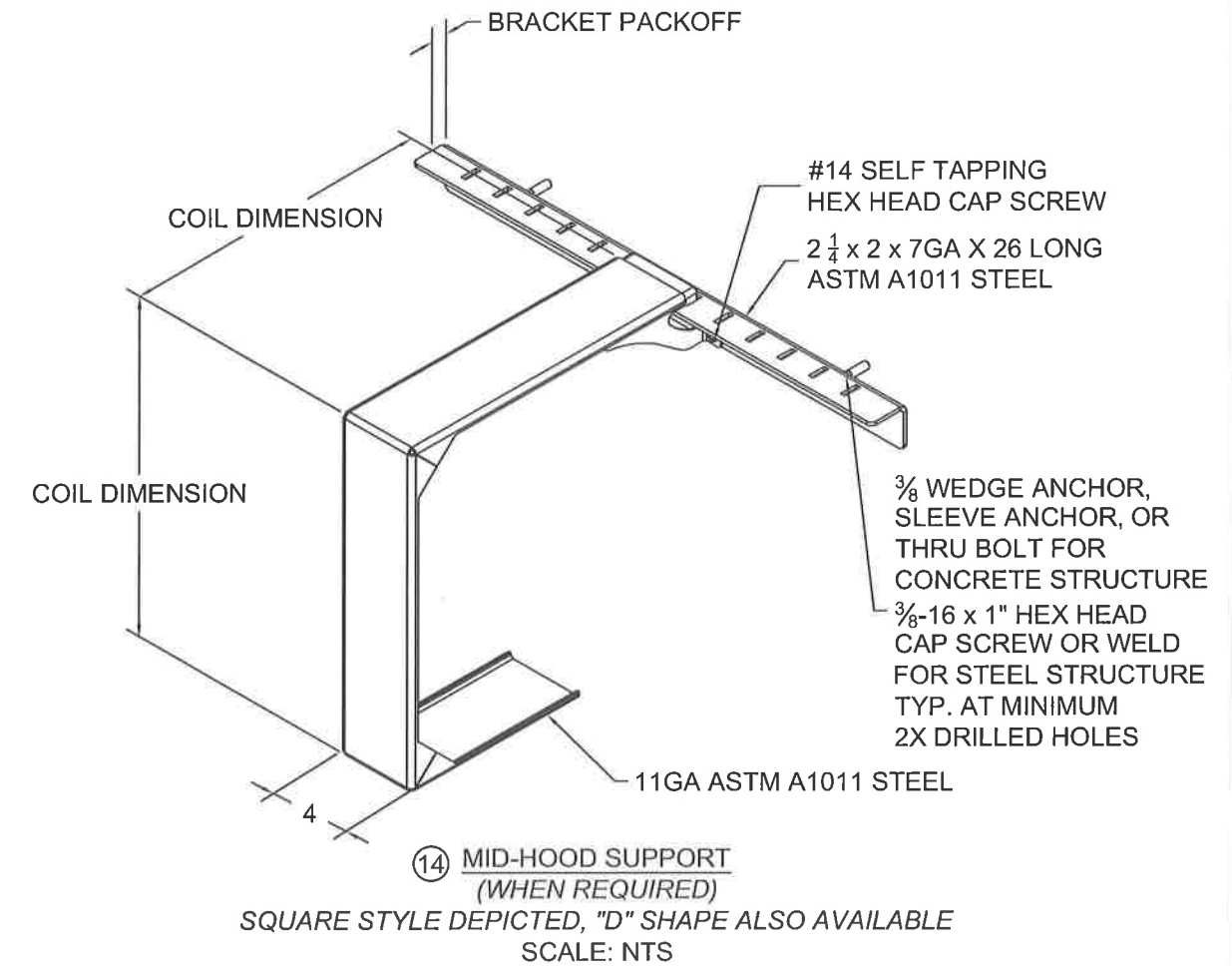
L'TR	REVISION	DATE	BY	E.C.O.
*	ORIGINAL ISSUE	07/22/2015	TJE	1669
A	REVISED TITLE BLOCK; HOOD SUPPORT UPDATE	02/06/2020	MAN	2026



12 BRACKET MOUNTING / TOP WALL ANGLE FASTENING
BRACKET MOUNTING PER DETAIL 7 DEPICTED,
OTHER BRACKET MOUNTINGS ARE AVAILABLE
SCALE: NTS



13 MID-HOOD SUPPORT
(WHEN REQUIRED)
"D" SHAPE DEPICTED, SQUARE STYLE ALSO AVAILABLE
SCALE: NTS



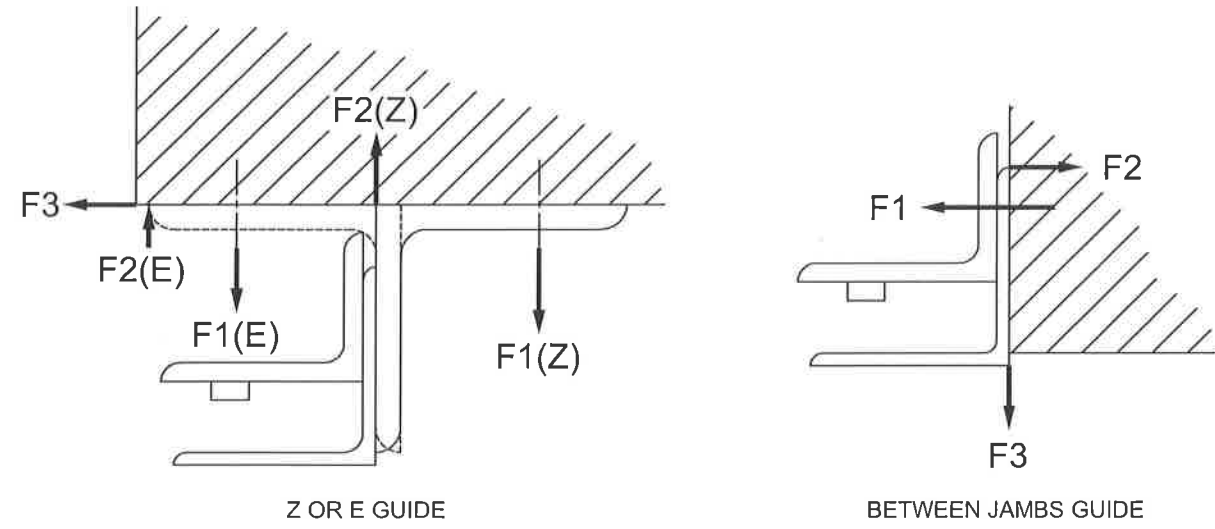
14 MID-HOOD SUPPORT
(WHEN REQUIRED)
SQUARE STYLE DEPICTED, "D" SHAPE ALSO AVAILABLE
SCALE: NTS

PRODUCT RENEWED
as complying with the Florida
Building Code
NOA-No. 20-0416.23
Expiration Date 11/12/2025
By *[Signature]*
Miami-Dade Product Control



	24 ELMWOOD AVE 1901 S. LITCHFIELD RD MOUNTAINTOP, PA GOODYEAR, AZ	Unless otherwise specified, dimensions are in inches & tolerances are: 0.000 = +/- 0.031 FRACTIONAL = +/- 1/32 ANGLES = +/- 1/2 DEG			
	P: 800.233.8366 F: 800.526.0841 E: ADS@CORNELLIRON.COM				
TITLE: MIAMI DADE COUNTY APPROVED 27'-5" WIDE 60 PSF 50 FPS PERFORATED ROLLING STEEL DOOR		DRAWN BY: TJE	SIZE: B	SCALE: AS NOTED	SHEET: 5/6
		DWG NO: ES-16-74-CIW			

L'TR	REVISION	DATE	BY	E.C.O.
*	ORIGINAL ISSUE	07/22/2015	TJE	1669
A	REVISED TITLE BLOCK; HOOD SUPPORT UPDATE	02/06/2020	MAN	2026



UNREDUCED WIND FORCES ON BUILDING STRUCTURE (LBS / FOOT OF HEIGHT)					
Z-GUIDE					
POSITIVE			NEGATIVE		
F1	F2	F3	F1	F2	F3
2870	2039	3291	4945	5776	3291
E-GUIDE					
POSITIVE			NEGATIVE		
F1	F2	F3	F1	F2	F3
7467	6636	3291	7048	7879	3291
BETWEEN JAMBS GUIDE					
POSITIVE			NEGATIVE		
F1	F2	F3	F1	F2	F3
6421	3130	831	14728	11437	831

BUILDING DESIGNER NOTE:
STRUCTURE MUST BE DESIGNED TO SUPPORT F1, F2, AND F3 FORCES (LBS./FT. OF OPENING HEIGHT) AT EACH JAMB.

PRODUCT RENEWED
as complying with the Florida Building Code
NOA-No. 20-0416.23
Expiration Date 11/12/2025
By *[Signature]*
Miami-Dade Product Control



NOTES ON OPEN AREA OF PERFORATED DOORS:

1. THE PERCENTAGE OPEN AREA OF A PERFORATED SLAT IS 48%
2. IF A DOOR IS PROVIDED WITH A MIXTURE OF PERFORATED AND SOLID SLATS, USE THE FOLLOWING EQUATION TO DETERMINE THE NET PERCENTAGE OPEN AREA OF THE DOOR.

$$\left(\frac{\# \text{ OF PERFORATED SLATS}}{\text{TOTAL NUMBER OF SLATS}} \right) * 48\%$$
 WHERE

$$\text{TOTAL NUMBER OF SLATS} = \text{OPENING HEIGHT} / 2.77.$$
 OPENING HEIGHT IS TO BE IN INCHES AND THE TOTAL NUMBER OF SLAT IS TO BE ROUNDED UP TO THE NEAREST WHOLE NUMBER.
3. THE ENCLOSURE CLASSIFICATION OF THE BUILDING SHALL BE EVALUATED CONSIDERING THE PERCENTAGE OPEN AREA OF THE PERFORATED DOOR USING THE APPLICABLE BUILDING CODE.

	24 ELMWOOD AVE 1901 S. LITCHFIELD RD MOUNTAINTOP, PA GOODYEAR, AZ	Unless otherwise specified, dimensions are in inches & tolerances are: 0.000 = +/- 0.031 FRACTIONAL = +/- 1/32 ANGLES = +/- 1/2 DEG
	P: 800.233.8366 F: 800.526.0841 E: ADS@CORNELLIRON.COM	
TITLE: MIAMI DADE COUNTY APPROVED 27'-5" WIDE 60 PSF 50 FPS PERFORATED ROLLING STEEL DOOR		DRAWN BY: TJE SIZE: B SCALE: AS NOTED SHEET: 6/6
		DWG NO: ES-16-74-CIW