

0.032" ALUM. SSR 16" WIDE, 1.5" RIB LOAD TABLE OVER 15/32 PLYWOOD

COASTAL METAL ROOFING

Buildings having a Roof Mean Height \leq 20'-0"; Roof Slope: 2"/12" - 6"/12" Gable Roof
Wind Speeds 90-120 mph, Exp C, I = 1.0, based on FLORIDA BUILDING CODE 2007

.032" ALUM. SSR 16" WIDE, 1.5" RIB CLIP SPACING						
ZONE	FASTENER	SUBSTRATE	WIND SPEED ZONE			
			90	100	110	120
			ON CENTER SPACING	ON CENTER SPACING	ON CENTER SPACING	ON CENTER SPACING
ZONE 1	(2) #10-12 x 1"	15/32"	12"	12"	12"	12"
ZONE 2	(2) #10-12 x 1"	15/32"	12"	12"	12"	12"
ZONE 3	(2) #10-12 x 1"	15/32"	6"	6"	6"	6"

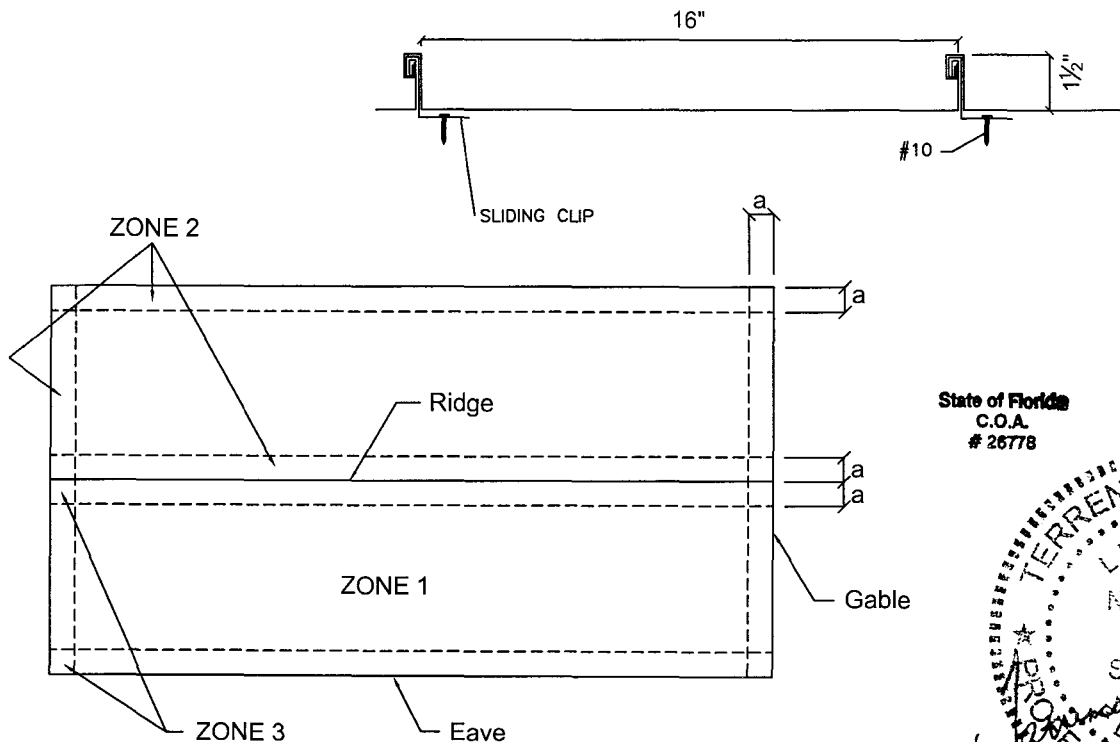
PANEL DESCRIPTION: 1-1/2" MECHANICAL LOCK, 0.032" ALUM., 16" MAX WIDTH, 1-1/2" TALL RIB, 180 DEGREE SEAM.

PANEL FASTENER: (2) #10-12 x 1" PANCAKE PER CLIP.

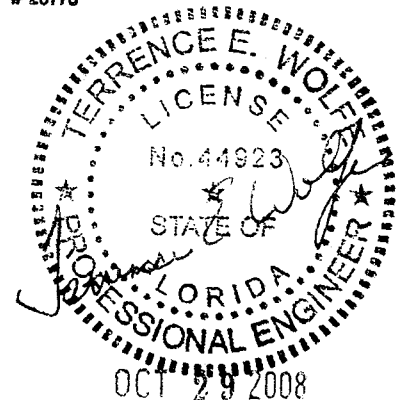
PANEL CLIP: TWO PIECE ASSEMBLY, TOP - 26 GA. 1 3/4" LONG STAINLESS, BOTTOM - 24 GA. 3 3/8" LONG STAINLESS.

MAXIMUM ALLOWABLE PANEL UPLIFT PRESSURE: CLIPS @ 12" O.C., 76.8 PSF, CLIPS @ 6" O.C., 89.3 PSF, PRESSURE BASED ON UL 580/UL 1897 TESTING.

PLYWOOD DECKING: MIN. 15/32" THICK, B-C, 4 PLY. PLYWOOD MUST BE DESIGNED IN ACCORDANCE WITH FBC 2007.



State of Florida
C.O.A.
26778



Note: Dimension (a) is defined as 10% of the minimum width of the building or 40% of the mean height of the roof, whichever is smaller, however, (a) cannot be less than either 4% of the minimum width of the building or 3 feet.