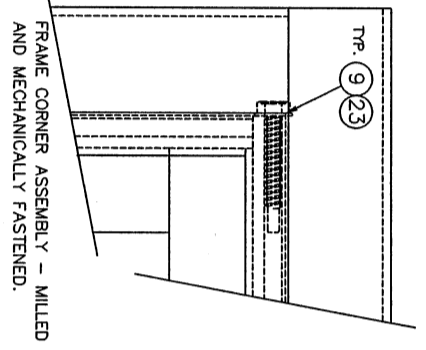
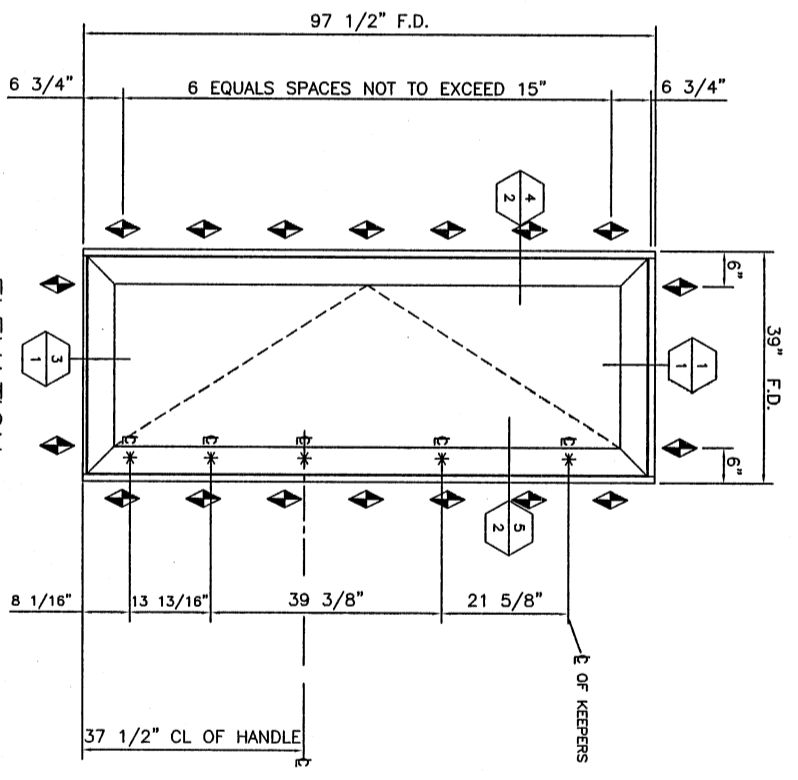
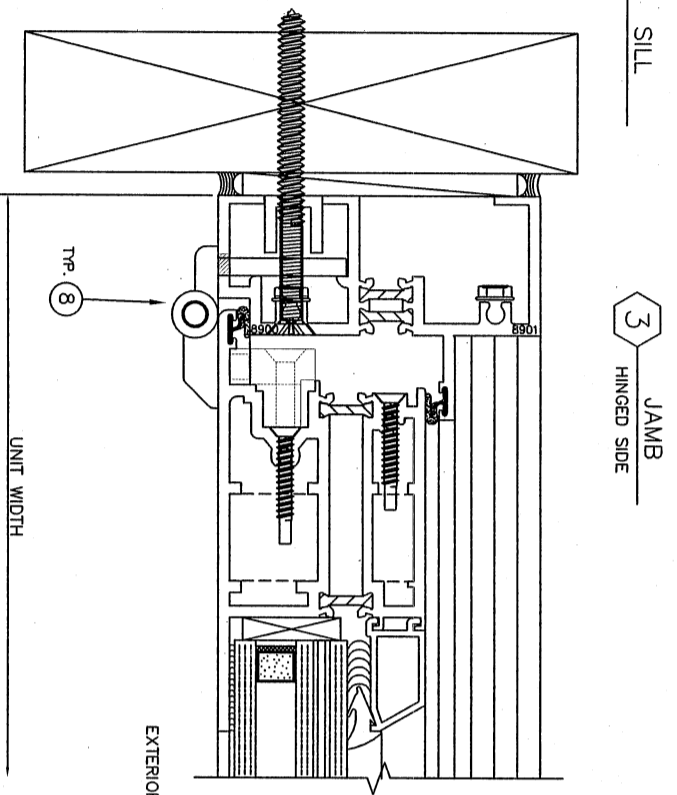


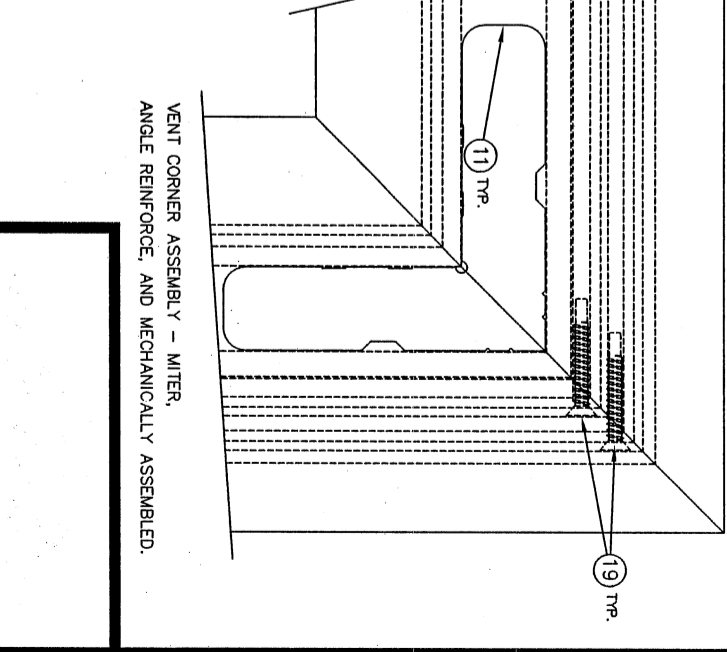
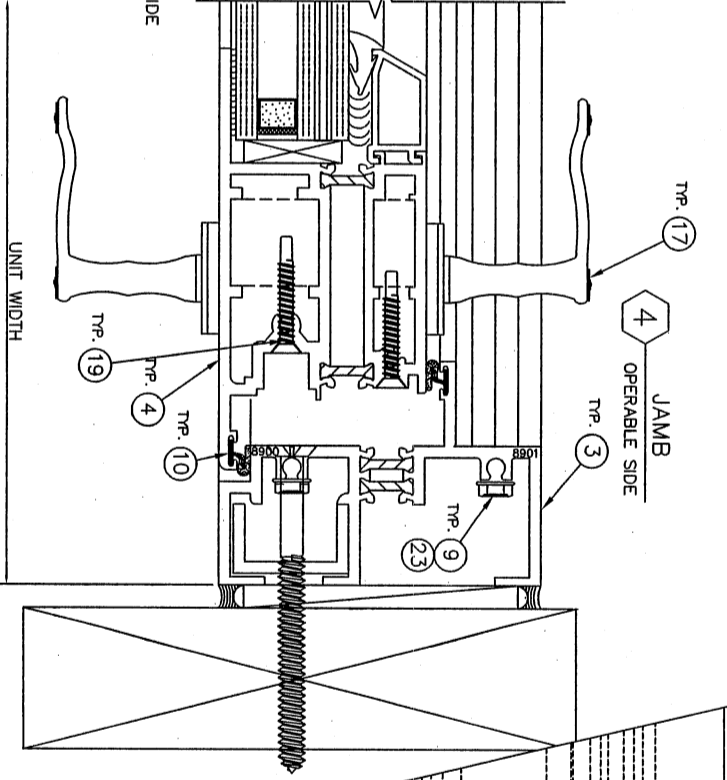
LAMINATED GLASS DESCRIPTION
 1 1/4" NOMINAL GLASS THICKNESS
 1/4" CLEAR H.S. - 437 A.S. - 3/16" NOM. HRG-2
 (3/16" H.S. - .050 POLYURETHANE - .080
 POLYCARBONATE - .050 POLYURETHANE - 3/16"
 CLEAR H.S.)



Glass Size = 29 3/8 x 88 3/8"
 Daylight Opening = 27 3/8 x 86 3/8"
 Sash Size = 36 1/2 x 95 1/2"



ITEM	# RECD	PART #	DESCRIPTION	MFG.
1	1	1G39	HEAD FRAME	EFCO
2	1	1G37	SILL FRAME	EFCO
3	1/1	1G39	FRAME	EFCO
4	4	1F73	SASH RAILS	EFCO
5	1	11K5	GLAZING BEAD	EFCO
6	1	8905	SILL ADAPTER	ENSINGER
7	AS REQD	LAA3	STRUT	
8	4	HA20	HINGES	ADVANTAGE MANUFACTURING
9	AS REQD	STV4	ASSEMBLY SCREWS *	
10	AS REQD	WQ09	Q-LON W-STRIP	SCHLEGEL
11	8	7821	CORNER KEY	EFCO
12	1	LB98	LIFT BLOCK	GENERAL PLASTICS
13	2	HB34	LIFT BLOCK	
14	AS REQD	JUB6	Back Bedding (295MB)	Bondoflex
15	AS REQD	JUB6	D.C. 795 BACK FILL	
16	AS REQD	WEB4	DRIVE-IN GASKET	
17	1	HX83	ACTIVE LOCK PACKAGE	HOPPE
17	1	HX86	BOTTOM LOCK EXTENSION	HOPPE
17	1	HX95	LATCH KEEPER	BRONZECRAFT
17	4	HK12	ROLLER KEEPER	BRONZECRAFT
18	7	STK8	#8-18x1 3/16" PL FH SMS SS	
18	1	LB57	FILLER	GENERAL PLASTICS
19	8	SLQ5	#10-16x1 1/4" PL FH SMS SS	
20	1	8909	SASH ADAPTER	EFCO
21	AS REQD	SPP2	6-18 x 1/2" PL-PH-SMS	SASH ADAPTER SCREWS
22	AS REQD	JUB9	STRUT SEALANT (DC 795)	
23	AS REQD	J444	JOINT SEALER	EFCO
24	AS REQD	EX43	SHIM CHANNEL	EFCO
25	AS REQD	EY59	SHIM CHANNEL	EFCO
26	AS REQD	J461	Silicone (295M)	Bondoflex
27	AS REQD		1/4 x 3 1/2" Wood Screw	
28				
29				
30				



TAPPANA ONDRICK
 STRUCTURAL ENGINEERS

1968 S. HALL WEBB CITY, MO. 64870
 PHONE: 1-417-673-0463 FAX: 1-417-673-0465

T3511 HLSO
LARGE MISSILE IMPACT
D.P +100/-140 PSF - A-W-S

REPORT# G046-0513-07

CRAIG M. ONDRICK
 FL LICENSE # 57270
 DATE: 12/27/07

PROJECT ENGINEER
 DESIGN
 CHECKED
 CHECKED
 DATE: 11-7-07
 REVISIONS
 PROJ. NO.
 07-155.10
 SHEET NO.
 1/1