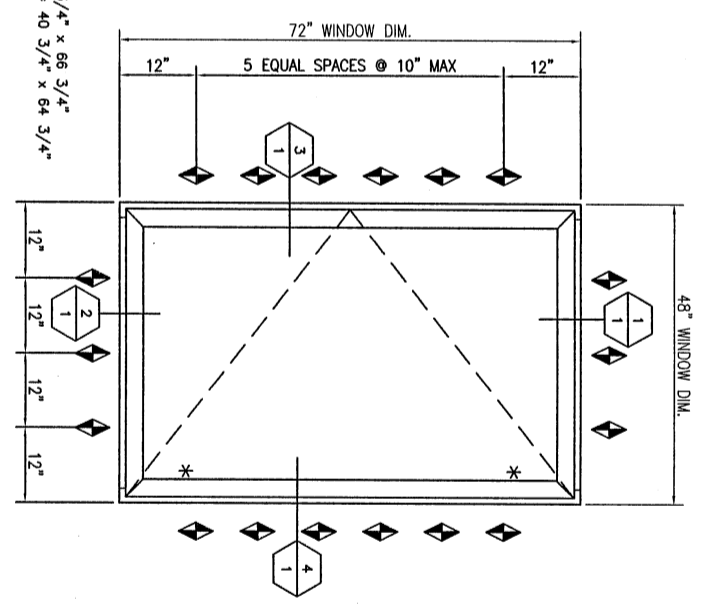


SASH CORNER ASSEMBLY -
MITTERED, ANGLE REINFORCED, EPOXY
WELDED, & CRIMPED.

FRAME CORNER ASSEMBLY -
Mortise And Tenon

Part NO. 1880 Cut 2" Long And Placed @ Locations As
Noted On The Elevation Drawing And Anchored With 2 #12
Space Wood Screws @ 1" o/c Min.

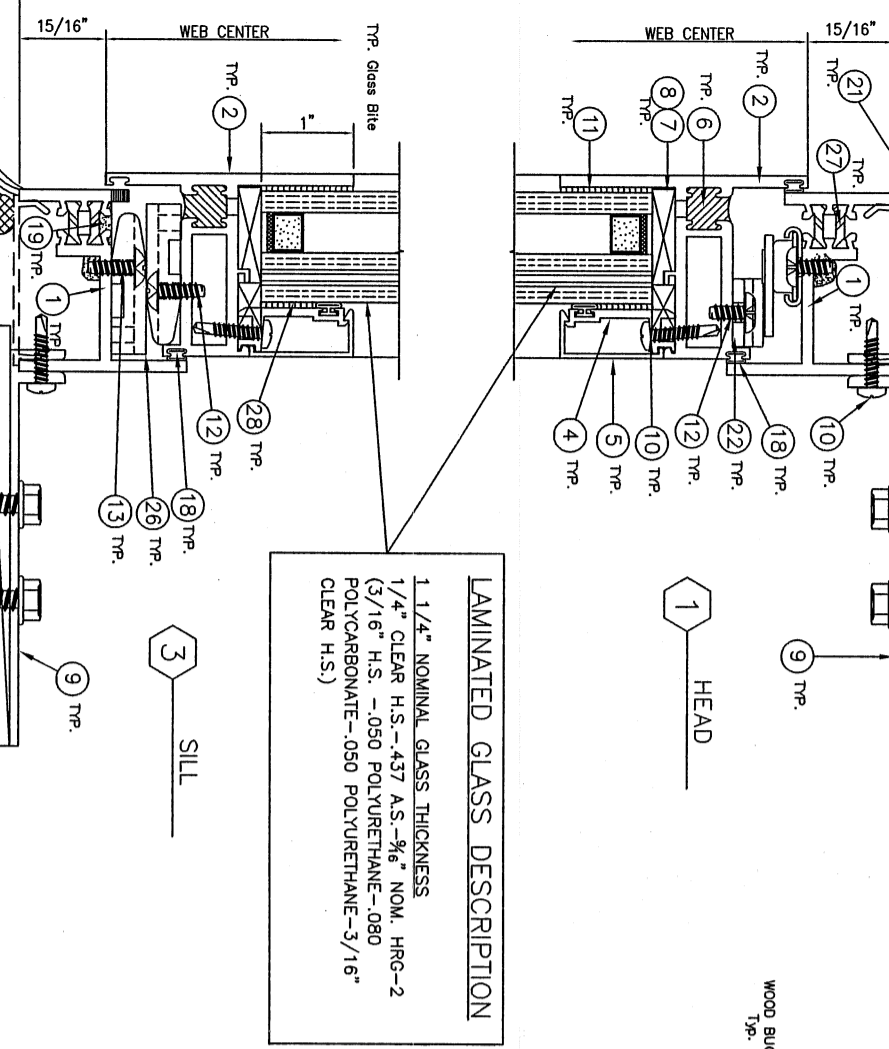
Glass Size = 42 3/4" x 66 3/4"
Daylight Opening = 40 3/4" x 64 3/4"



ELEVATION

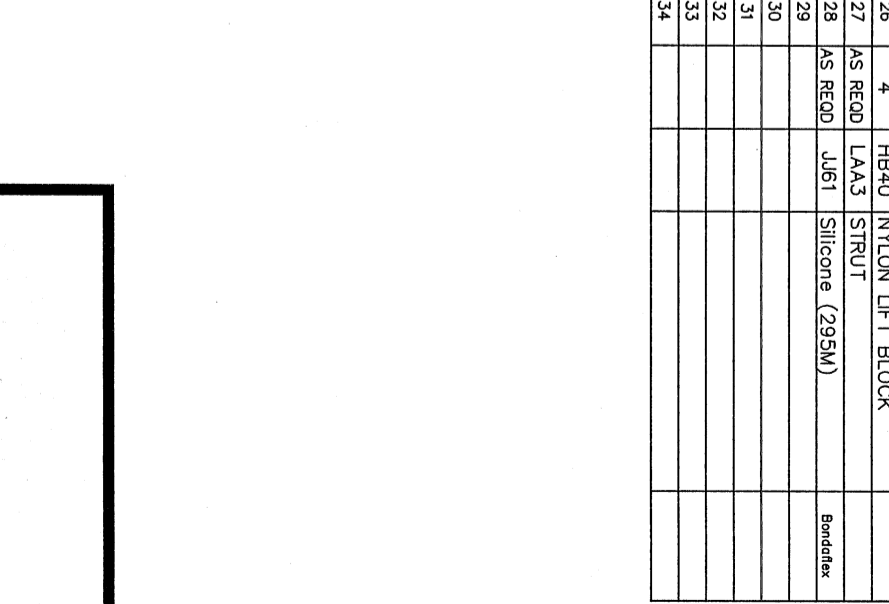
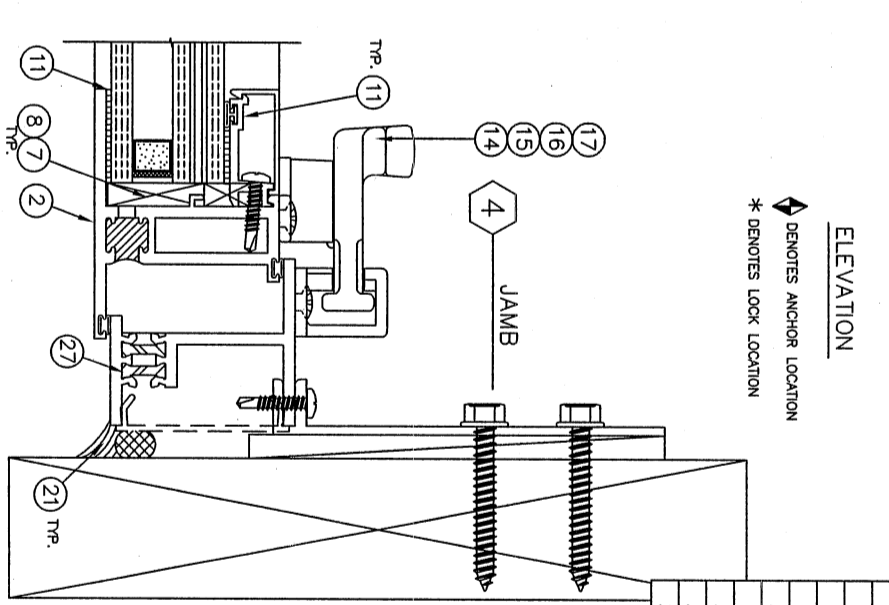
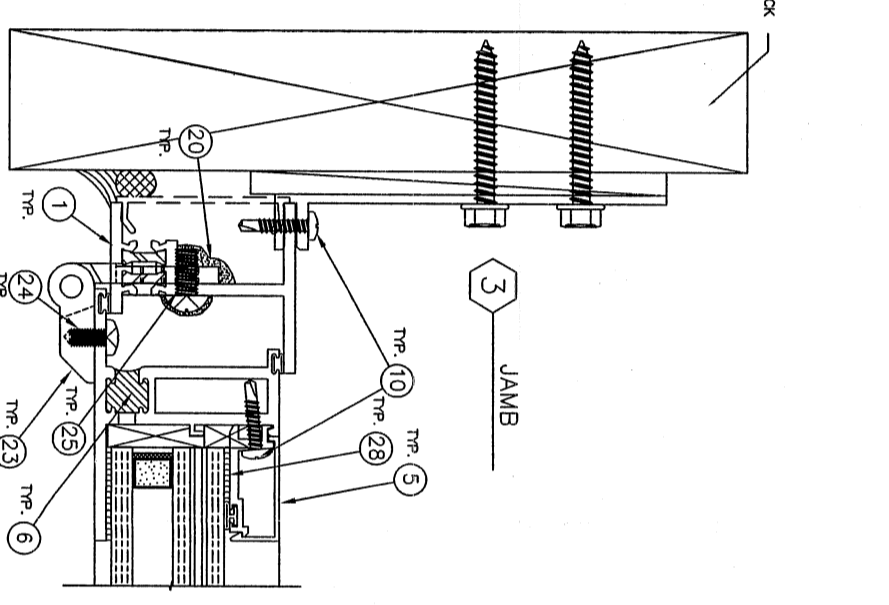
◆ DENOTES ANCHOR LOCATION
* DENOTES LOCK LOCATION

ITEM	# RECD	PART #	DESCRIPTION	MFG.
1	4	1A59	FRAME	EFCO
2	4	11V1	PO VENT RAIL	EFCO
3	4	KK24	VENT CORNER KEY	EFCO
4	4	14N5	Glazing Stops	EFCO
5	4	14R6	Glazing Stop Cover	EFCO
6	AS RECD		Polyurethane Fill	BASF
7	4	HEP8	1/4" Setting Block	REED
8	4	HN87	1/4" Setting Block	REED
9	AS RECD	1880	F-ANCHOR 2" LONG	EFCO
10	AS RECD	STKO	#8X3/4" TEK SCREW	EFCO
11	AS RECD	JU66	Back Bedding (295MB)	Bondflex
12	4	ST15	10-16 x 3/8" PL-TH-SMS 18-8 B	
13	4	STD2	10-16 x 1/2" PL-TH-SMS 18-8 B	
14	2	HU41	RH PO CAM LOCK	BRONZE GRAFT BRONZE GRAFT
15	2	HK10	STRIKE	BRONZE GRAFT
16	4	1QT2	10-24 PLUG NUT 416	
17	8	MFW6	10-24 x 1/2" PL-FH-MS 18-8	
18	AS RECD	WA04	WEATHERSTRIP	CENTRAL PLASTICS
19	AS RECD	JU61	JOINT SEALANT	Bondflex
20	AS RECD		JOINT SEALANT	Bondflex
21	AS RECD	JU61	SILICONE SEALANT	Bondflex
22	1	HF14	FRICITION ADJUSTOR	Bondflex
23	3	HA13	5 KNUCKLE BUTT HINGE	ANDERBERG
24	9	MPD2	1/4-20X1/2 PL-PH-MS 18-8	EFCO
25	15	MFM3	1/4-20X3/8 PL-PH-MS 18-8	
26	4	HB40	NYLON LIFT BLOCK	
27	AS RECD	LA43	STRUIT	
28	AS RECD	JU61	Silicone (295M)	Bondflex
29				
30				
31				
32				
33				
34				



LAMINATED GLASS DESCRIPTION

1 1/4" NOMINAL GLASS THICKNESS
1/4" CLEAR H.S.-.437 A.S.-9/6" NOM. HRG-2
(3/16" H.S. -.050 POLYURETHANE-.080
POLYCARBONATE-.050 POLYURETHANE-3/16"
CLEAR H.S.)



TAPPANA ONDRICK
STRUCTURAL ENGINEERS

1968 S. HALL
WEBB CITY, MO. 64870

PHONE: 1-417-673-0463
FAX: 1-417-673-0465

2701 CSMT OUT LEFT WINDOW

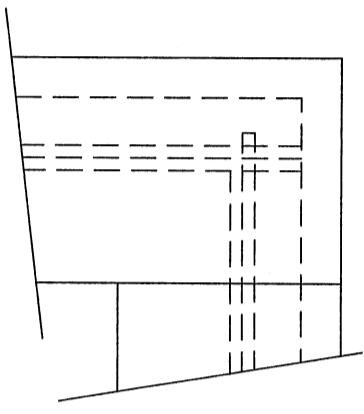
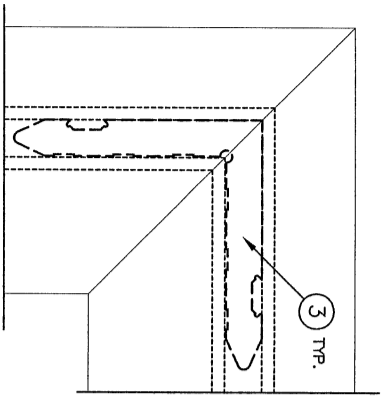
LARGE MISSILE IMPACT
D.P. +100/-140 PSF
O.L. +150/-210 PSF
REPORT# G046-0510-07

DATE: 11/7/07
DRAWN: [Signature]
CHECKED: [Signature]
DATE: 11-7-07

CRAIG M. ONDRICK
FL LICENSE # 57270
DATE: 11/7/07

PROJECT ENGINEER

PROJ. NO. 07-155.7
SHEET NO. 1/1

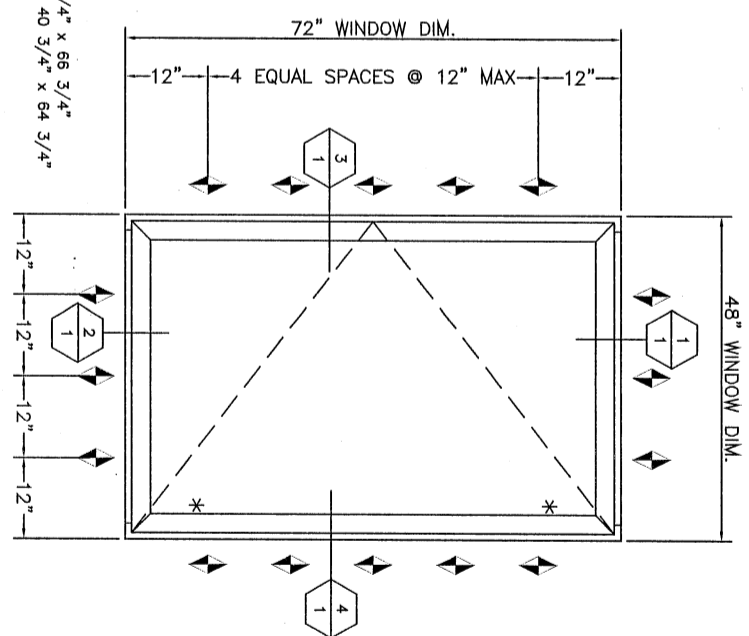


SASH CORNER ASSEMBLY -
MITERED, ANGLE REINFORCED, EPOXY
WELDED, & CRIMPED.

FRAME CORNER ASSEMBLY -
Mortise And Tenon

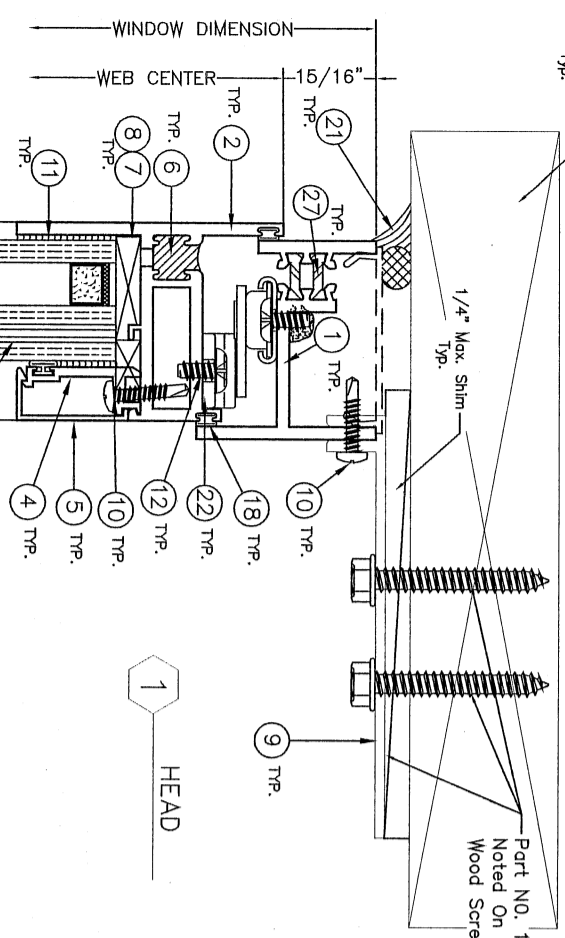
Part NO. 1880 Cut 2" Long And Placed @ 4 Locations As
Noted On The Elevation Drawing And Anchored With 2 #12
Wood Screws w/ 1 1/2" penetration. Typ.

Glass Size = 42 3/4" x 66 3/4"
Daylight Opening = 40 3/4" x 64 3/4"



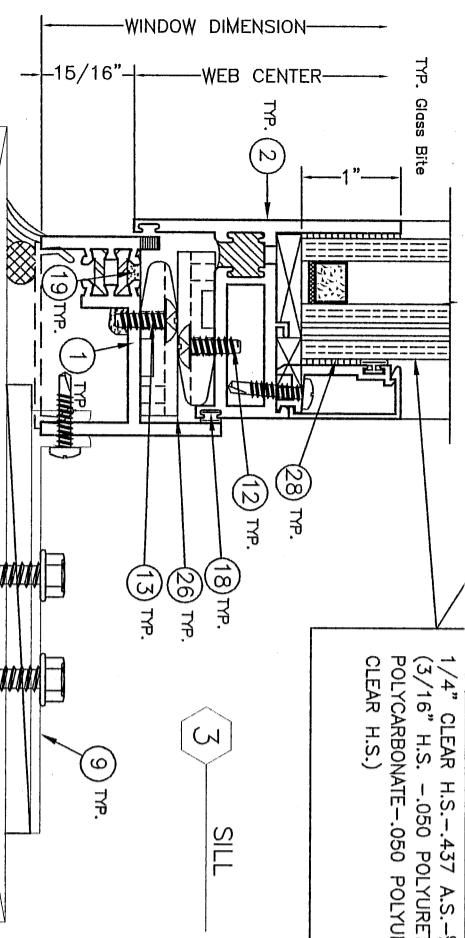
ELEVATION

◆ DENOTES ANCHOR LOCATION
* DENOTES LOCK LOCATION

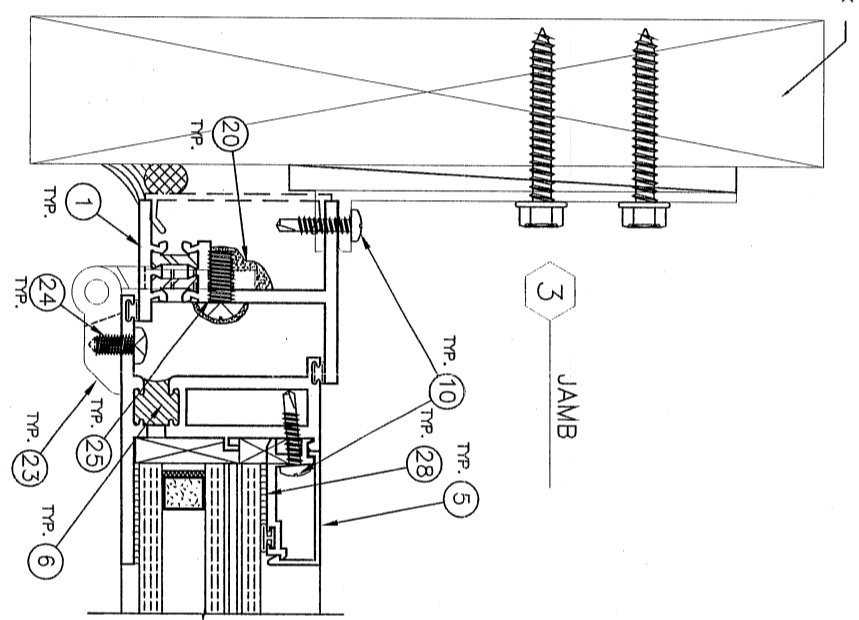


1 HEAD

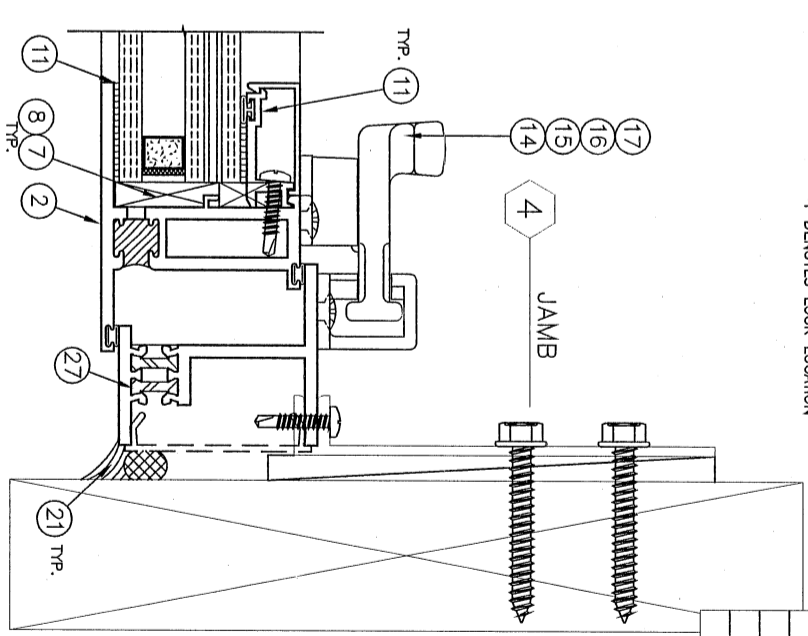
LAMINATED GLASS DESCRIPTION
1 1/4" NOMINAL GLASS THICKNESS
1/4" CLEAR H.S.-.437 A.S.-9/16" NOM. HRC-2
(3/16" H.S. -.050 POLYURETHANE-.080
POLYCARBONATE-.050 POLYURETHANE-.5/16"
CLEAR H.S.)



3 SILL



3 JAMB



4 JAMB

ITEM #	RECD	PART #	DESCRIPTION	MFG.
1	4	1A59	FRAME	EFCO
2	4	11V1	PO VENT RAIL	EFCO
3	4	KK24	VENT CORNER KEY	EFCO
4	4	14N5	Glazing Stops	EFCO
5	4	14R6	Glazing Stop Cover	EFCO
6	AS RECD		Polyurethane Fill	BASF
7	4	HEP8	1/4" Setting Block	REED
8	4	HNB7	1/4" Setting Block	REED
9	AS RECD	1880	F-ANCHOR 2" LONG	EFCO
10	AS RECD	STK0	#8X3/4" TEK SCREW	
11	AS RECD	JU66	Back Bedding (295MB)	Bondflex
12	4	STT5	10-16 X 3/8" PL-TH-SMS 18-8 B	
13	4	STD2	10-16 X 1/2" PL-TH-SMS 18-8 B	
14	2	HU41	RH PO CAM LOCK	BRONZE GRAFT BRONZE GRAFT
15	2	HK10	STRIKE	
16	4	1QT2	10-24 PLUG NUT 416	
17	8	MFM6	10-24 X 1/2" PL-FH-MS 18-8	
18	AS RECD	WA04	WEATHERSTRIP	CENTRAL PLASTICS
19	AS RECD	JU61	STRUT SEALANT	Bondflex
20	AS RECD		JOINT SEALER	
21	AS RECD	JU61	SILICONE SEALANT	Bondflex
22	1	HF14	FRICTION ADJUSTOR	ANDERBERG
23	3	HA13	5 KNUCKLE BUTT HINGE	EFCO
24	9	MPD2	1/4-20X1/2 PL-PH-MS 18-8	
25	15	MFM3	1/4-20X3/8 PL-PH-MS 18-8	
26	4	HB40	NYLON LIFT BLOCK	
27	AS RECD	LA43	STRUT	
28	AS RECD	JU61	Silicone (295M)	Bondflex
29				
30				
31				
32				
33				
34				

LARGE MISSILE IMPACT

©2007 EFCO CORPORATION ALL RIGHTS RESERVED