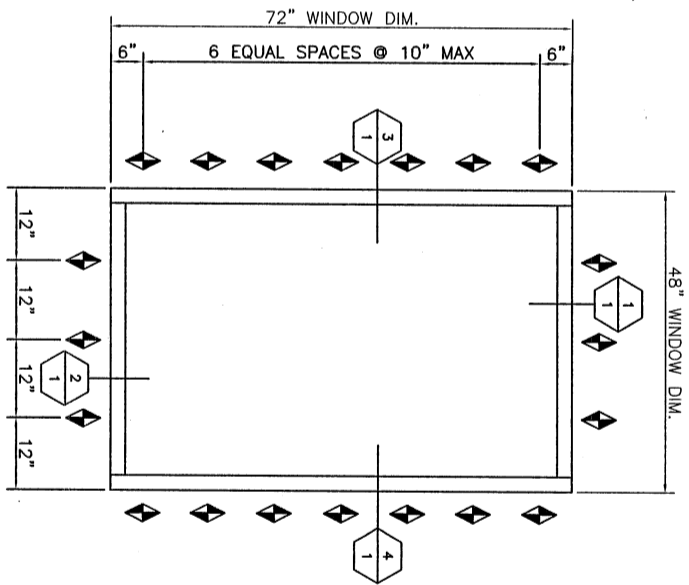


FRAME CORNER ASSEMBLY
MILLED AND MECHANICALLY ASSEMBLED

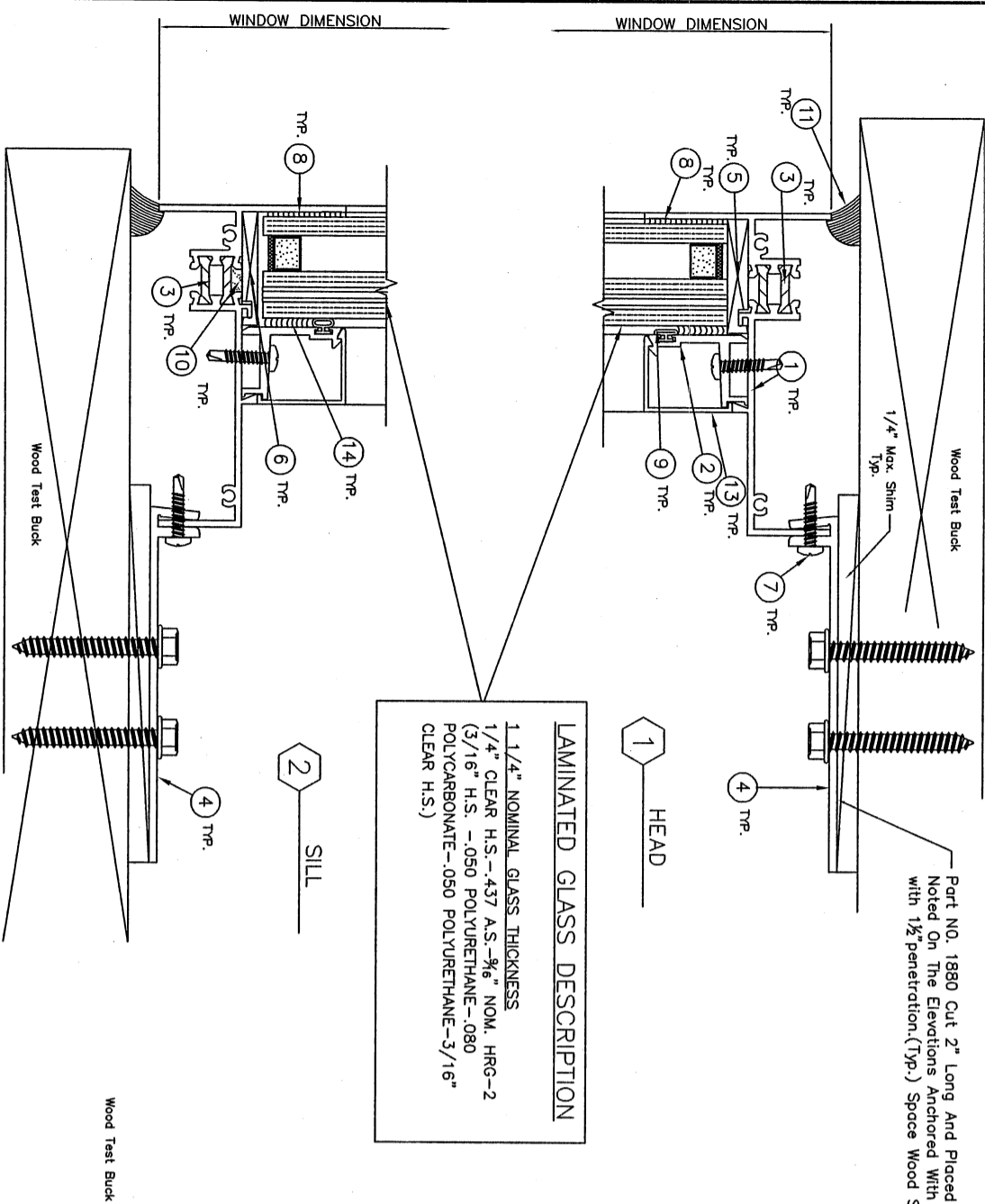
Glass Size = 45 1/2 x 69 1/2"
Daylight Opening = 43 1/2 x 67 1/2"

Part NO. 1880 Cut 2" Long And Placed @ Locations And As Noted On The Elevations Anchored With 2 #12 Wood Screws with 1 1/2" penetration, (Typ.) Space Wood Screws @ 1" o/c Min.

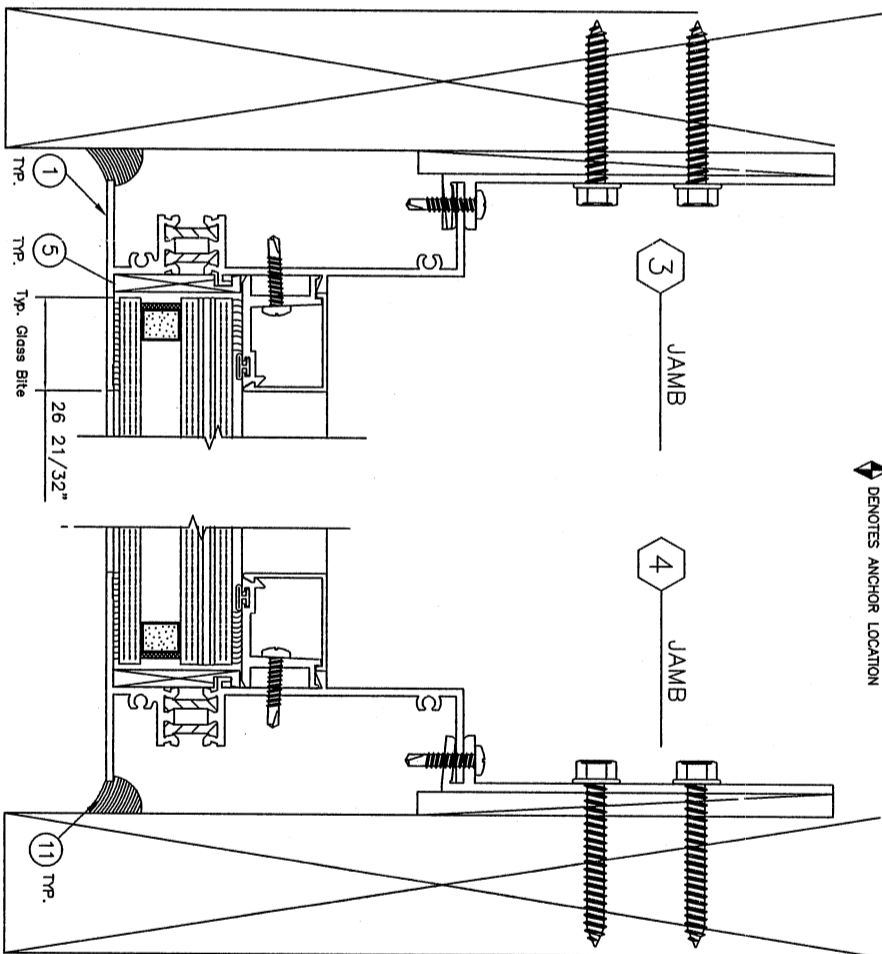


ELEVATION

* DENOTES LOCK LOCATION
♦ DENOTES ANCHOR LOCATION



LAMINATED GLASS DESCRIPTION
1 1/4" NOMINAL GLASS THICKNESS
1/4" CLEAR H.S.-437 A.S.-3/16" NOM. HRG-2
(3/16" H.S.-050 POLYURETHANE-080
POLYCARBONATE-050 POLYURETHANE-3/16"
CLEAR H.S.)



ITEM #	RECD	PART #	DESCRIPTION	MFG.
1	4	IF75	FRAME	EFCO
2	4	14R9	Glazing Bead	EFCO
3	AS RECD	1	STRUT	
4	AS RECD	1880	F-ANCHOR 2" LONG	EFCO
5	4	HN40	1/4" Setting Block	REED
6	4	HN41	1/4" Glazing Block	REED
7	AS RECD	STK0	#8X3/4" TEK SCREW	Bondalex
8	AS RECD	JU66	Back Bedding (295MB)	Bondalex
9	AS RECD	WA09	BEAD VINYL	GENERAL PLASTICS
10	AS RECD	JU44	JOINT SEALER	Bondalex
11	AS RECD	JU61	SILICONE SEALANT	Bondalex
12	8	SLQ2	Glazing Bead	EFCO
13	4	14S0	Glazing Bead	EFCO
14	AS RECD	JU61	Silicone (295M)	Bondalex
15				
16				

6621 FIXED WINDOW

LARGE MISSILE IMPACT
D.P. +120/-140 PSF
O.L. +180/-210 PSF A-W-S
REPORT# G046-0504-07

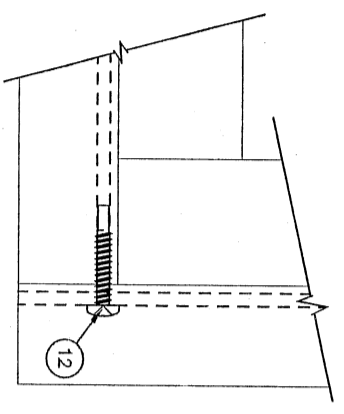
TAPPANA ONDRICK
STRUCTURAL ENGINEERS

1968 S. HALL
WEBB CITY, MO. 64870

PHONE: 1-417-673-0463
FAX: 1-417-673-0465

CRAIG M. ONDRICK
FL LICENSE # 57270
DATE: 11/7/07

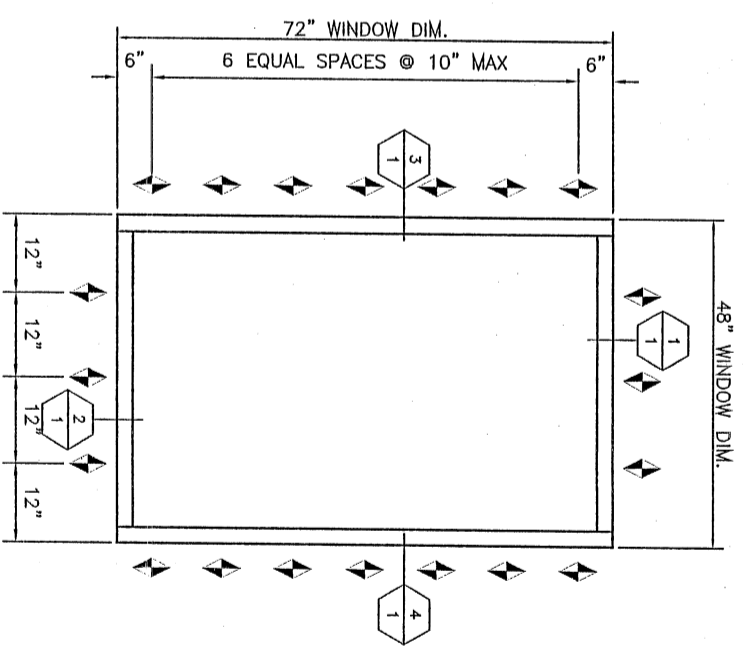
PROJECT ENGINEER
DRAWN
CHECKED
DATE 11-7-07
REVISIONS
PROJ. NO.
SHEET NO. 07-155.12
1/1



FRAME CORNER ASSEMBLY
MILLED AND MECHANICALLY ASSEMBLED

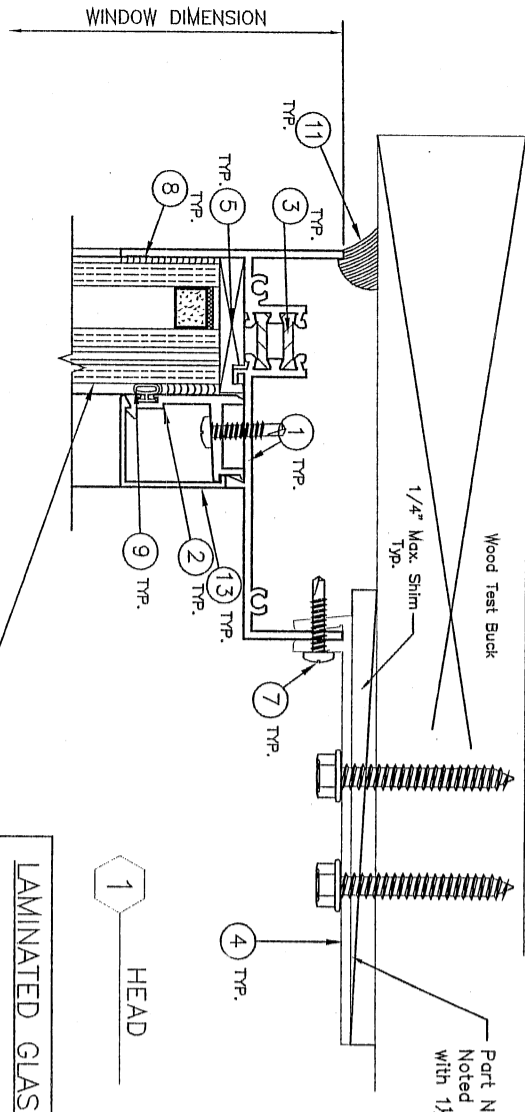
Glass Size = 45 1/2" x 69 1/2"
Daylight Opening = 43 1/2" x 67 1/2"

Part NO. 1880 Cut 2" Long And Placed @ † Locations And As Noted On The Elevations Anchored With 2 #12 Wood Screws With 1 1/2" penetration. (Typ.)



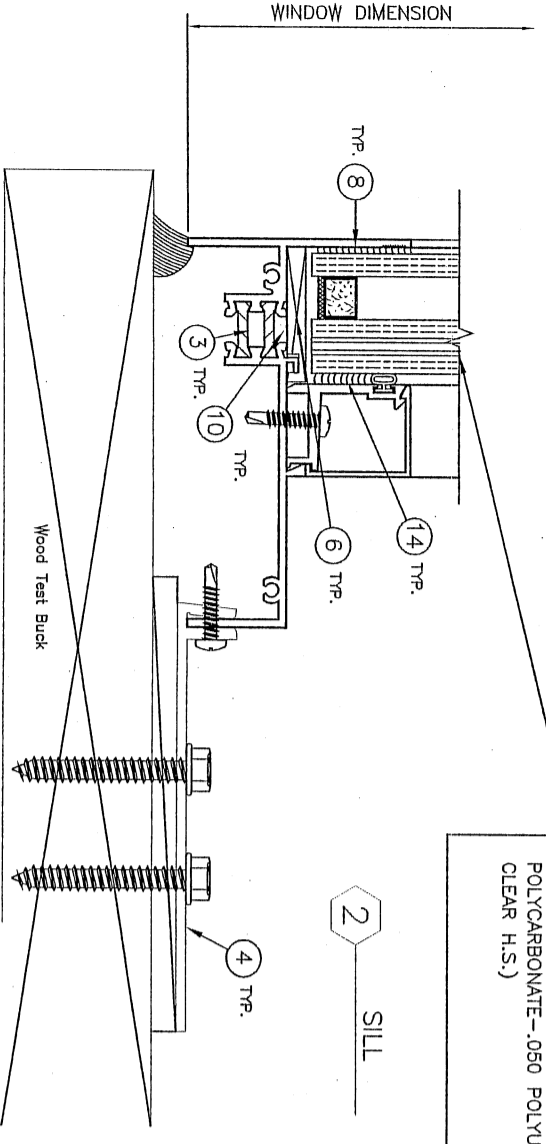
ELEVATION

ITEM #	RECD	PART #	DESCRIPTION	MFG
1	4	IF75	FRAME	EFCO
2	4	14R9	Glazing Bead	EFCO
3	AS REOD		1 STRUT	
4	AS REOD	1880	F-ANCHOR 2" LONG	EFCO
5	4	HN40	1/4" Setting Block	REED
6	4	HN41	1/4" Glazing Block	REED
7	AS REOD	STK0	#8X3/4" TEK SCREW	
8	AS REOD	JU66	Back Bedding (295MB)	Bondville CENTRA PLASTIC
9	AS REOD	WA09	BEAD VINYL	
10	AS REOD	JU44	JOINT SEALER	
11	AS REOD	JU61	SILICONE SEALANT	Bondville
12	8	SLQ2	8-18 X 1 PLPHSMS 18-8 B-LP	
13	4	14S0	Glazing Bead	EFCO
14	AS REOD	JU61	Silicone (295M)	Bondville
15				
16				

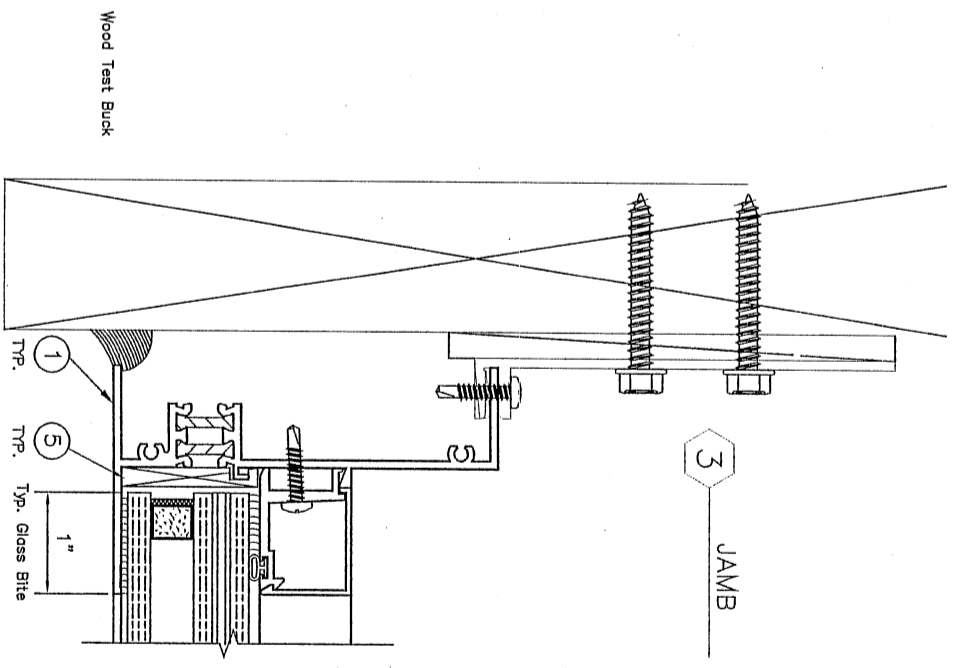


1 HEAD

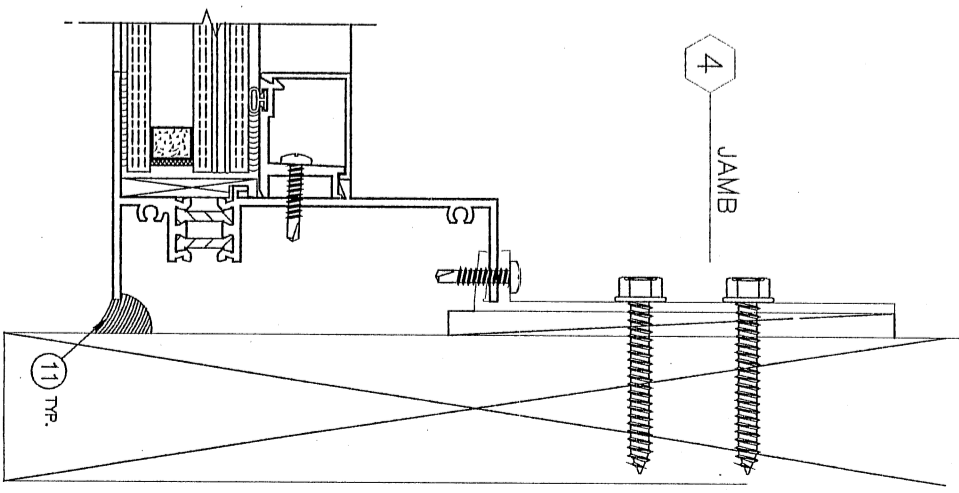
LAMINATED GLASS DESCRIPTION
1.1 1/4" NOMINAL GLASS THICKNESS
1/4" CLEAR H.S. -.437 A.S. - 3/16" NOM. HRG-2
(3/16" H.S. -.050 POLYURETHANE-.080
POLYCARBONATE-.050 POLYURETHANE-3/16"
CLEAR H.S.)



2 SILL



3 JAMB



4 JAMB

* DENOTES LOCK LOCATION
♦ DENOTES ANCHOR LOCATION

LARGE MISSILE IMPACT

©2007 EFCO CORPORATION ALL RIGHTS RESERVED