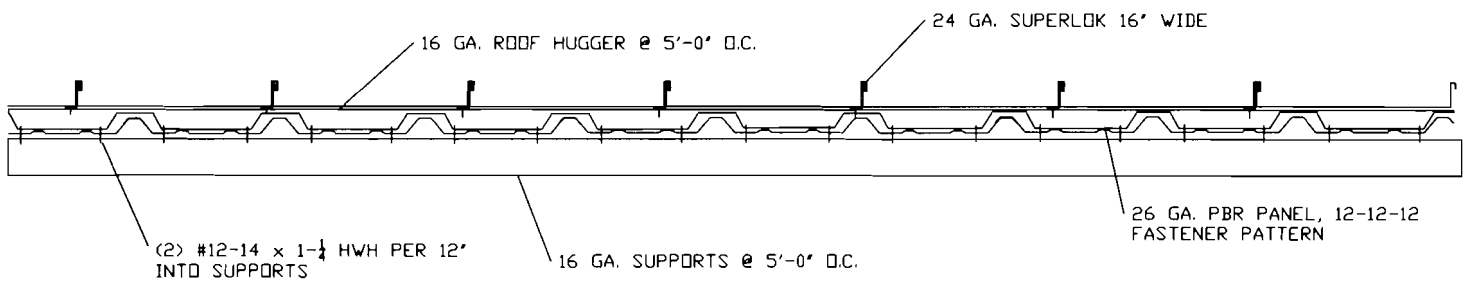


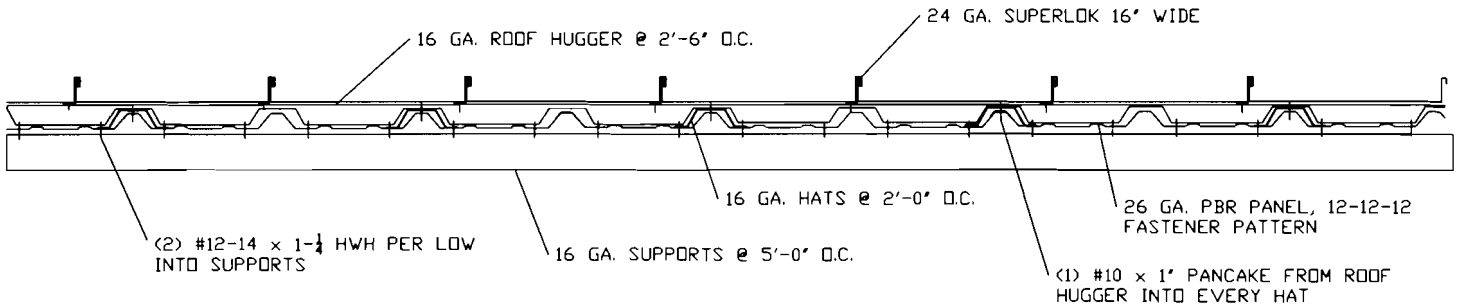
ROOF HUGGERS 5'-0" O.C.

SECTION A-A @ PURLINS



ROOF HUGGERS 2'-6" O.C.

SECTION A-A @ PURLINS



SECTION B-B @ MIDSPAN

