

CP55W FIXED WINDOW
 UP TO 48" X 84"
 EXTERIOR VIEW
 FLANGE INSTALLATION

CP55W FIXED WINDOW
 UP TO 48" X 84"
 EXTERIOR VIEW
 FIN INSTALLATION

DESIGN PRESSURE RATING
 ±50.0 PSF

LARGE MISSILE IMPACT

REV	DESCRIPTION	DATE	APPROVED

NOTES:

- 1) THE PRODUCT SHOWN HEREIN IS DESIGNED AND MANUFACTURED TO COMPLY WITH THE 2004 FLORIDA BUILDING CODE.
- 2) WOOD FRAMING AND MASONRY OPENING TO BE DESIGNED AND ANCHORED TO PROPERLY TRANSFER ALL LOADS TO STRUCTURE. FRAMING AND MASONRY OPENING IS THE RESPONSIBILITY OF THE ARCHITECT OR ENGINEER OF RECORD. FRAME AND SASH MATERIAL: WHITE RIDG PVC
- 3) APPROVED IMPACT PROTECTIVE SYSTEM IS NOT REQUIRED ON THIS PRODUCT.
- 4) UNITS MUST BE GLAZED WITH 7/8" IGU CONSISTING OF: 3/16" ANN INTERIOR PANEL - AIR - LAMINATED EXTERIOR PANEL CONSISTING OF 1/8" ANN - .090" DUPONT SGP INTERLAYER - 1/8" ANN PER ASTM E1300.
- 5) ALL FASTENERS TO BE CORROSION RESISTANT.
- 6) SHIM AS REQUIRED AT EACH INSTALLATION ANCHOR WITH LOAD BEARING SHIM. SHIM WHERE SPACE OF 1/16" OR GREATER OCCURS. MAXIMUM ALLOWABLE SHIM STACK TO BE 1/4".
- 7) FOR FIN INSTALLATION INTO WOOD FRAMING OR 2X BUCK USE #8 TRUSS HEAD WOOD SCREW OF SUFFICIENT LENGTH TO ACHIEVE A 1 1/2" MINIMUM EMBEDMENT INTO SUBSTRATE. LOCATE ANCHORS AS SHOWN IN ELEVATION DETAILS.
- 8) FOR FLANGE INSTALLATION INTO WOOD FRAMING OR 2X BUCK USE #10 TRUSS HEAD WOOD SCREW OF SUFFICIENT LENGTH TO ACHIEVE A 1 3/8" MINIMUM EMBEDMENT INTO SUBSTRATE. LOCATE ANCHORS AS SHOWN IN ELEVATION DETAILS.
- 9) FOR ANCHORING INTO MASONRY USE 3/16" T/M TAPCONS WITH SUFFICIENT LENGTH TO ACHIEVE A 1 1/4" MINIMUM EMBEDMENT INTO SUBSTRATE WITH 2 5/8" MINIMUM EDGE DISTANCE. LOCATE ANCHORS AS SHOWN IN ELEVATIONS AND INSTALLATION DETAILS.
- 10) INSTALLATION ANCHORS SHALL BE INSTALLED IN ACCORDANCE WITH ANCHOR MANUFACTURER'S INSTALLATION INSTRUCTIONS, AND ANCHORS SHALL NOT BE USED IN SUBSTRATES WITH STRENGTHS LESS THAN THE MINIMUM STRENGTH SPECIFIED BELOW:
 A. WOOD - MINIMUM SPECIFIC GRAVITY OF G=0.42
 B. CONCRETE - MINIMUM COMPRESSIVE STRENGTH OF 3,200 PSI.
 C. MASONRY - STRENGTH CONFORMANCE TO ASTM C-90, GRADE N, TYPE 1 (OR GREATER).
- 11) UNITS MUST BE SEALED AROUND PERIMETER, BEHIND 1X BUCK AND BEHIND MAILING FIN.

TABLE OF CONTENTS

SHEET NO.	DESCRIPTION
1, 2	ELEVATION, ANCHORING AND GENERAL NOTES
3	INSTALLATION DETAILS

VISTA WINDOW COMPANY (C.I.)

3850 ELM ROAD
 WARREN, OH 44483

CP55W PVC CASEMENT PICTURE WINDOW (48" x 84")
 ELEVATION AND GENERAL NOTES

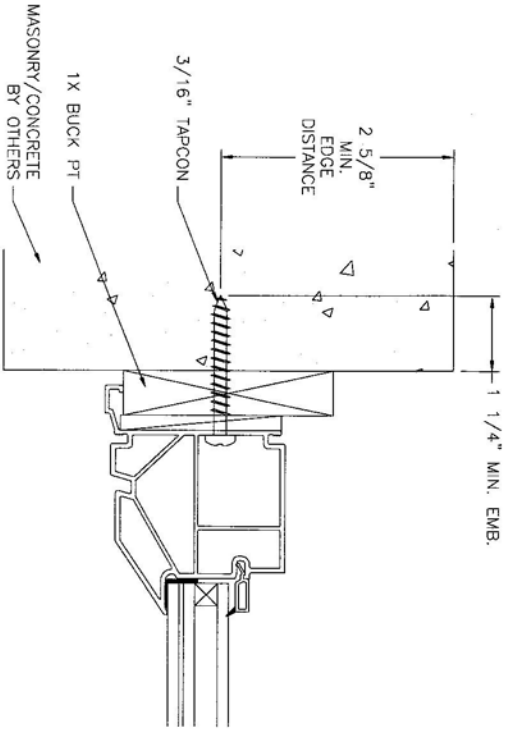
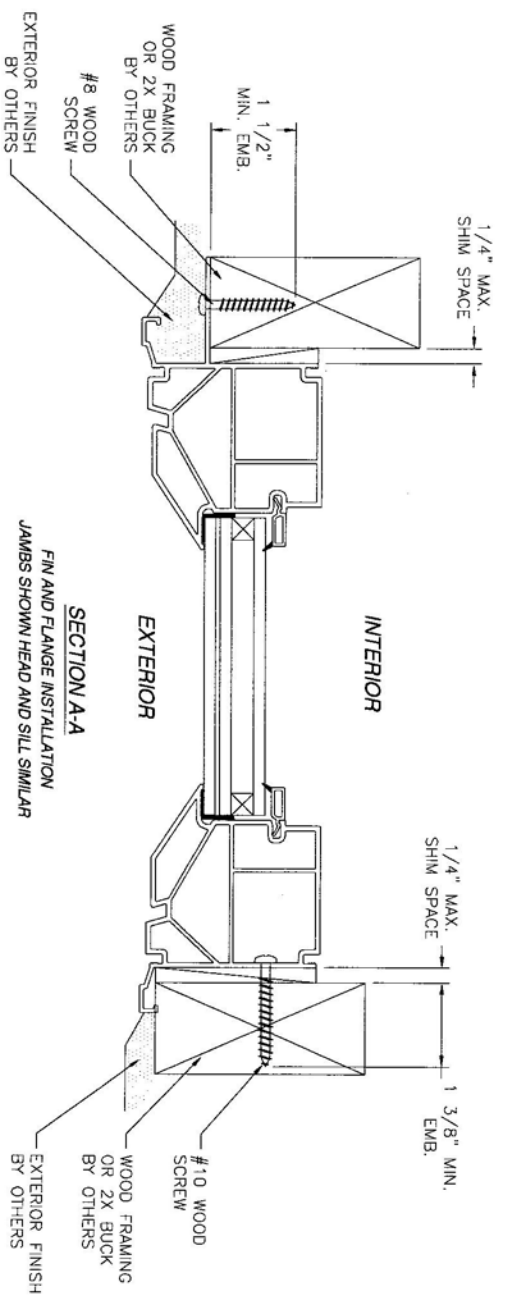
DRAWN:	DWG NO:	REV:
R.L.	FL 00293	1

SCALE NTS DATE 10/30/07 SHEET 1 OF 2

Luis R Lomas P.E.
 Florida Reg. No. 162514



REVISIONS			
REV	DESCRIPTION	DATE	APPROVED



VISTA WINDOW COMPANY (C.A.)
3850 ELM ROAD
WARREN, OH 44483

CP55W PVC CASEMENT PICTURE WINDOW (48" x 84")
INSTALLATION DETAILS

SCALE NTS SHEET 2 OF 2

DATE 10/30/07

DWG NO. FL 00293

DESIGNED BY: [Signature]

DATE: 10/30/07

APPROVED BY: Luis R. Lomas, P.E.
Florida No. 62514

