

MODELS	1 3/8" THICK STYRENE	
CLOPAY/GALLERY	GD1SP, GR1SP	GD1LP, GR1LP
HOLMES/ARTISTRY	AR1SP	AR1LP
IDEAL/EXPRESSIONS	ED1SP	ED1LP
	SHORT PANEL	LONG PANEL

NOTE: THE DESIGN OF THE SUPPORTING STRUCTURAL ELEMENTS SHALL BE THE RESPONSIBILITY OF THE PROFESSIONAL OF RECORD FOR THE BUILDING OR STRUCTURE AND IN ACCORDANCE WITH CURRENT BUILDING CODES FOR THE LOADS LISTED ON THIS DRAWING.

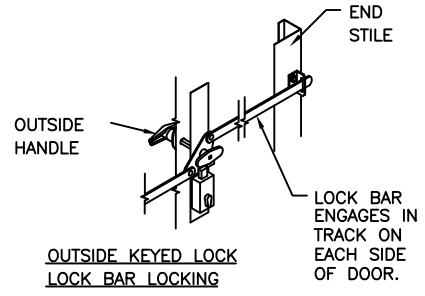
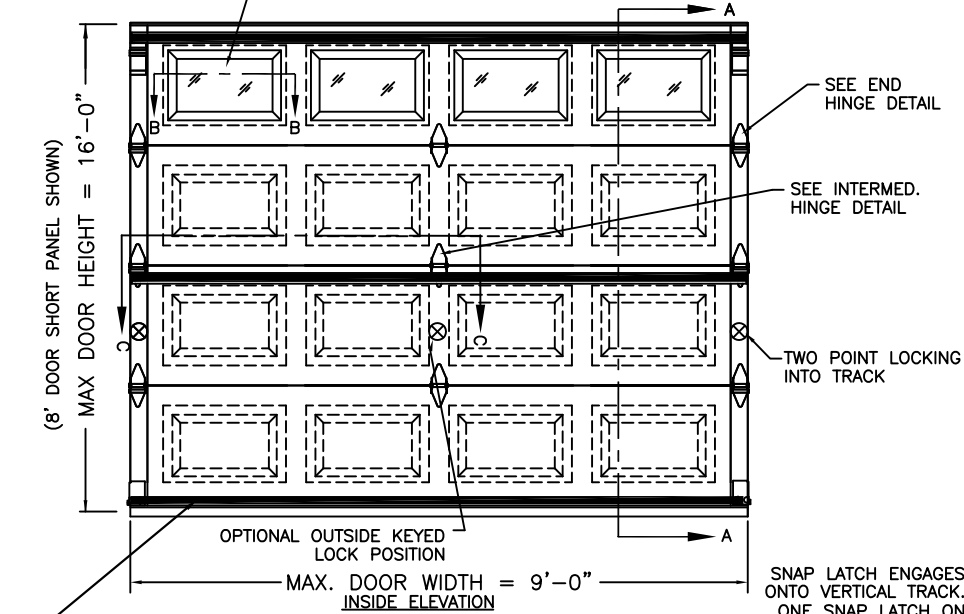
THIS DOOR MEETS OR EXCEEDS THE DESIGN LOADS FOR THE WIND SPEEDS LISTED BELOW ACCORDING TO THE FLORIDA BLDG. CODE OR IBC (ASCE7) FOR THE FOLLOWING CONDITIONS: 1) ENCLOSED BUILDING, 2) DOOR HAS 2' OF WIDTH IN BUILDING'S END ZONE, 3) IMPORTANCE FACTOR OF 1.0, 4) ANY ROOF SLOPE, AND 5) 50% SAFETY FACTOR.

WIND SPEED (MPH)	≤ 90	90	100	100
EXPOSURE LEVEL	B	C	B	C
MEAN ROOF HEIGHT	30'	25'	30'	N/A

REV	DATE	ECO NUMBER	APPROVED	DESCRIPTION
00	10/15/07		SH	INITIAL RELEASE

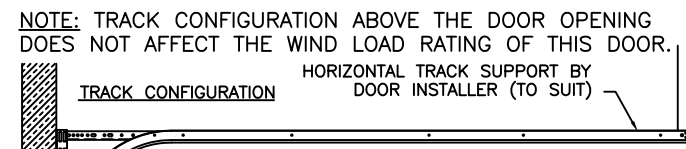
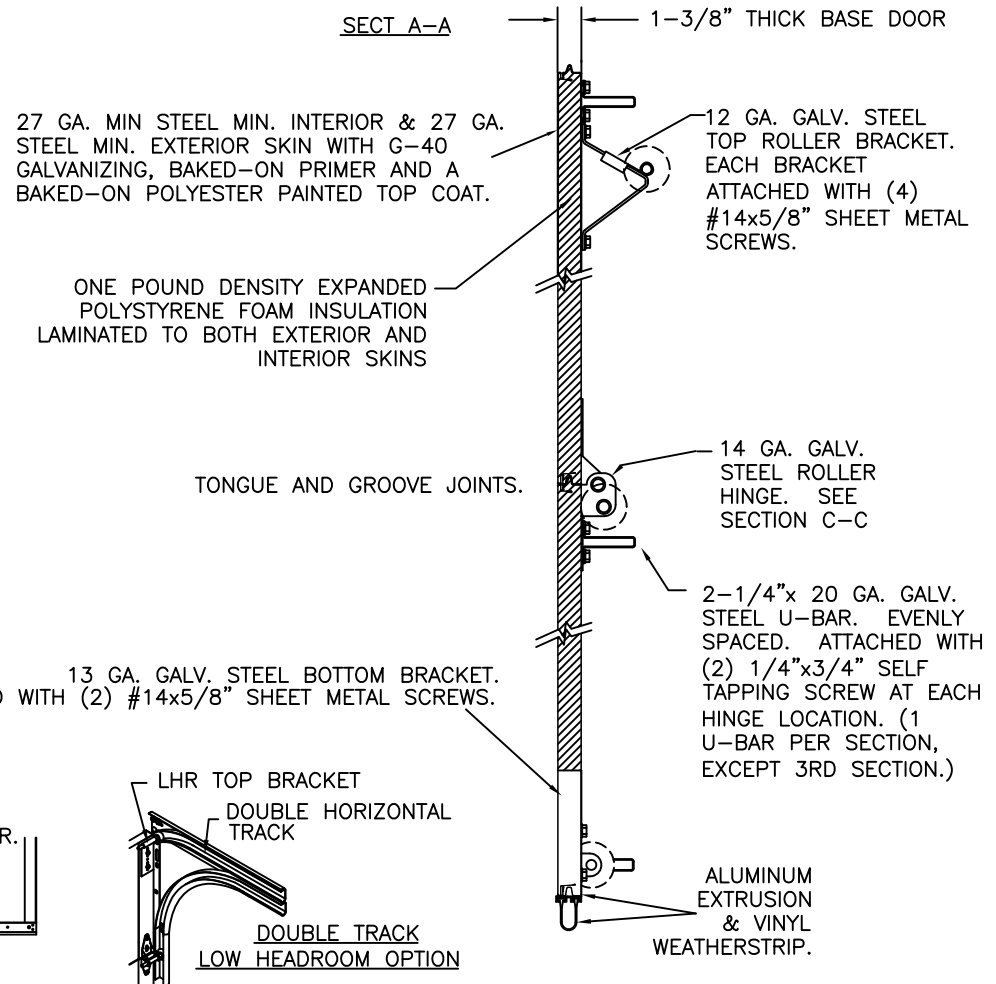
OPTIONAL WINDOW LITES DSB GLASS OR 1/8" ACRYLIC AVAILABLE. OPTIONAL ACRYLIC GLAZING IS PASKOLITE OPTIX OR LUCITE CP APPROVED CC2 PLASTIC IN ACCORDANCE WITH IBC/FBC 2606. (SEE SECTION B-B)

SHORT LITES SHOWN, LONG LITES ALSO AVAIL. (LONG LITES FRAME NOT TO EXCEED 42" WIDE x 16" TALL)



VERTICAL JAMB ATTACHMENT (C-90 BLOCK OR 2000 PSI MIN. CONCRETE COLUMN):
 3/8"x4" SLEEVE ANCHORS ON 24" CENTERS (BOTH C-90 BLOCK OR 2000 PSI MIN. CONCRETE) OR 1/4"x4" TAPCON SCREWS ON 24" CENTERS (2000 PSI MIN. CONCRETE). WASHERS INCLUDED WITH SLEEVE ANCHORS. 1" O.D. WASHERS REQUIRED WITH TAPCONS. ANCHORS MAY BE COUNTERSUNK (BUT NOT REQUIRED) TO PROVIDE A FLUSH MOUNTING SURFACE. HORIZONTAL JAMBS DO NOT TRANSFER LOAD.

VERTICAL JAMB ATTACHMENT (WOOD FRAME BUILDINGS):
 1/2"x3" LAG SCREWS ON 24" CENTERS. 1" O.D. WASHER REQUIRED. LAG SCREWS MAY BE COUNTERSUNK (BUT NOT REQUIRED) TO PROVIDE A FLUSH MOUNTING SURFACE. HORIZONTAL JAMBS DO NOT TRANSFER LOAD.



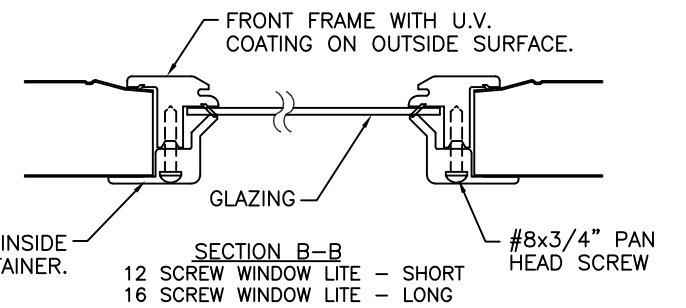
13 GA. GALV. STEEL FLAG BRACKET. EACH FASTENED TO WOOD JAMB WITH (3) 5/16"x1-1/2" WOOD LAG SCREW.

NOTE: FOR DOORS OVER 12'-0" HIGH, TRACK CONFIGURATION SHALL NOT EXCEED MAXIMUM SPACING PROVIDED. CONSULT FACTORY FOR MORE DETAIL IF RQD.

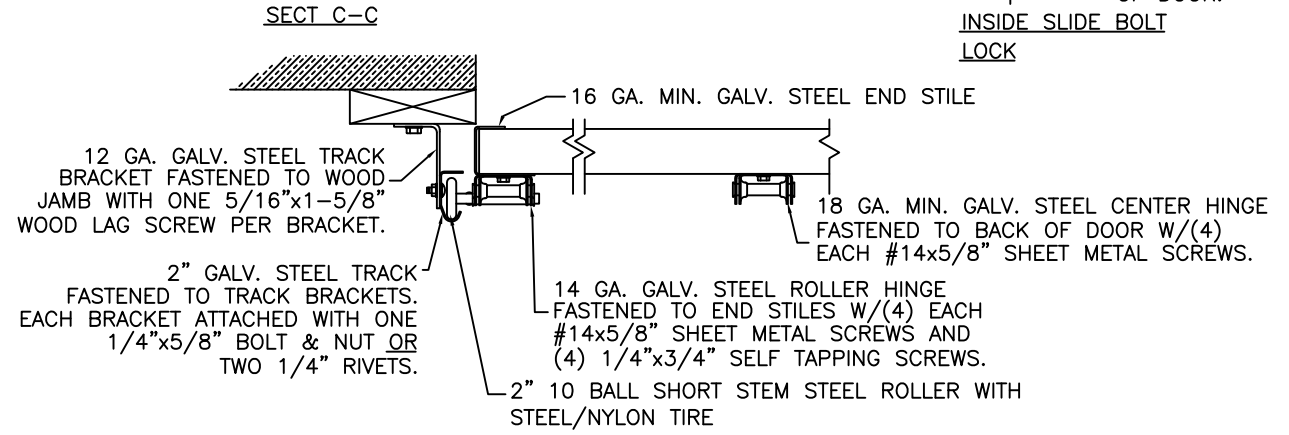
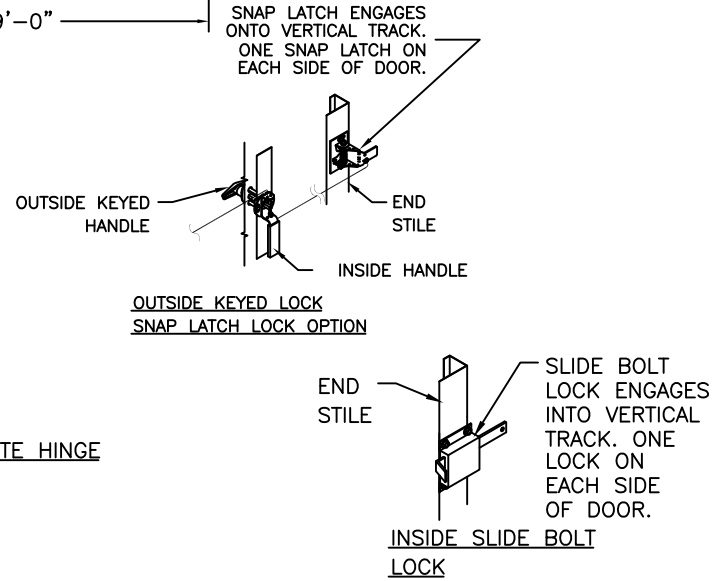
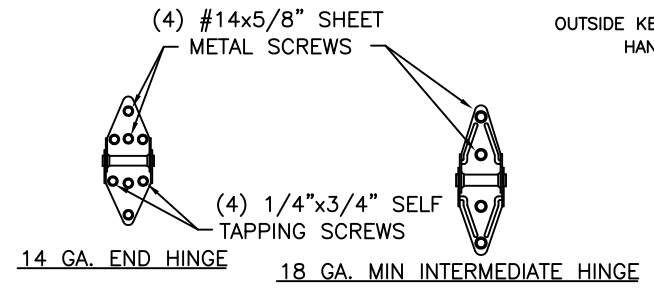
DOOR HEIGHT "L"	"L"
6'-6"	70"
7'-0"	76"
7'-6"	82"
8'-0"	88"
8'-6"	94"
9'-0"	100"
9'-6"	106"
10'-0"	112"
10'-6"	118"
11'-0"	124"
11'-6"	130"
12'-0"	136"

2" GALV. STEEL TRACK, TRACK THICKNESS: .060"
 TYP. 2-1/2"x12 GA. GALV. STEEL TRACK BRACKET. MIN. (4) TRACK BRACKETS PER SIDE. DISTANCE BETWEEN TRACK BRACKETS NOT TO EXCEED 30" O.C.

THE OPTIONAL GLAZING SHOWN ON THIS DRAWING MEETS THE WIND LOAD REQUIREMENTS OF THE FLORIDA BUILDING CODE OR INTERNATIONAL BUILDING CODE BUT DOES NOT MEET THE IMPACT RESISTANT REQUIREMENT FOR WINDBORNE DEBRIS REGIONS (REFER TO CHAPTER 16 FBC / IBC).



DESIGN ENGINEER: MARK WESTERFIELD, P.E.
 FLORIDA P.E. #48495, NC P.E. #23832, TEXAS P.E. #91513
 DESIGN LOADS: +20.0 P.S.F. & -21.0 P.S.F.
 TEST LOADS: +30.0 P.S.F. & -31.5 P.S.F.



Clopay
 Building Products
 Company

CLOPAY BUILDING PRODUCTS COMPANY
 8585 DUKE BOULEVARD
 CINCINNATI, OH 45040
 (513) 770-4800

Clopay Corporation All Rights Reserved.

MANUFACTURING PRODUCT CODE DSIE-1A471	WINDLOAD RATING W3	MAX. SIZE: 9'0" x 16'0"
DATE: 6/19/07	DESCRIPTION: GALLERY 1-3/8" EPS SC +20/-21 PSF	
DRAWN BY: BFA	DRAWING NUMBER: 103952	VER: 00
CHECKED BY:		B