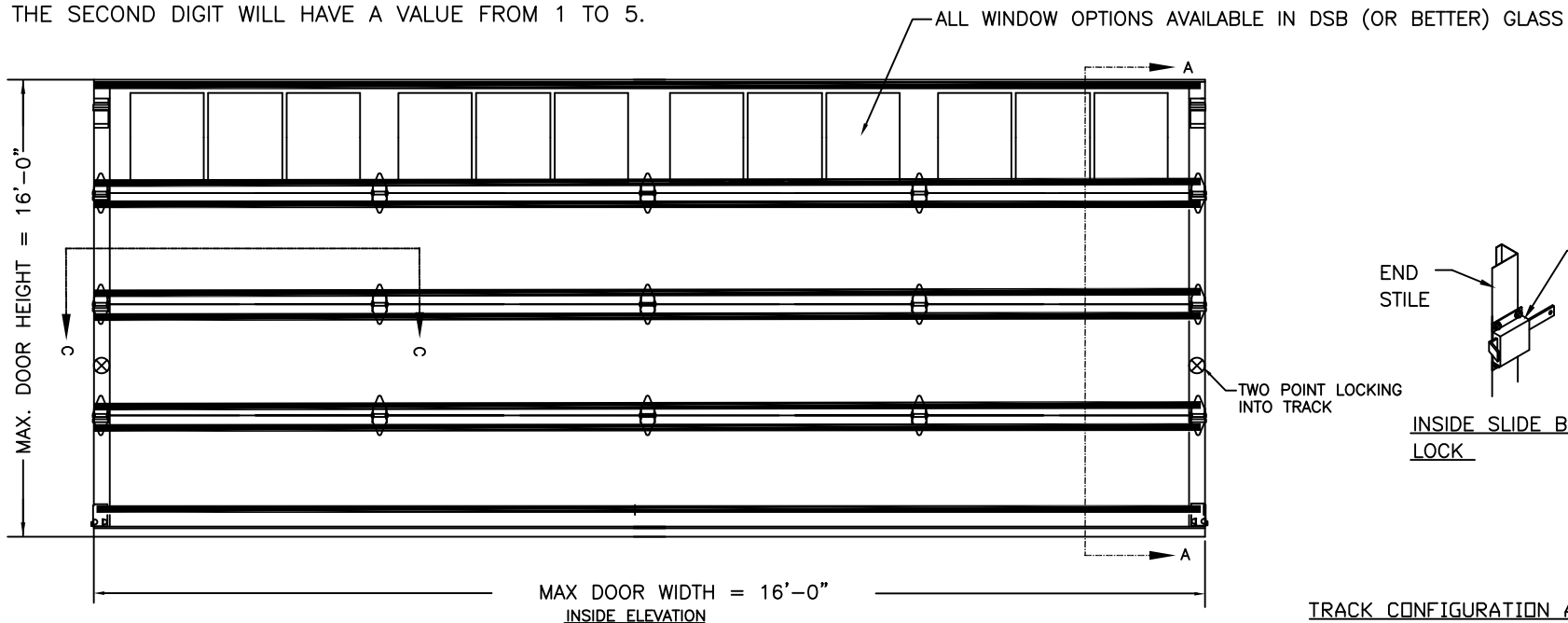


CLOPAY COACHMAN SERIES: Cnn, HCnn, CDnn, CFnn

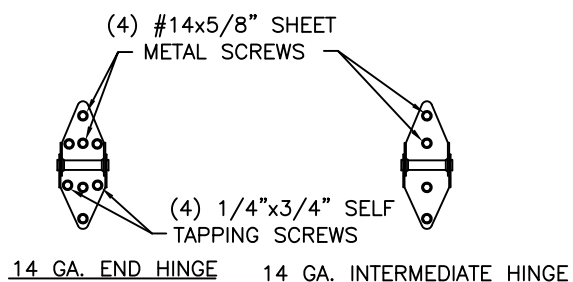
HOLMES SETTLERS SERIES: SFnn

IDEAL AFFINITY SERIES: ADnn

NOTE: "nn" REPRESENTS THE ARRANGEMENT OF THE DECORATIVE OVERLAYS. THE FIRST DIGIT WILL HAVE A VALUE FROM 1 TO 3 AND THE SECOND DIGIT WILL HAVE A VALUE FROM 1 TO 5.

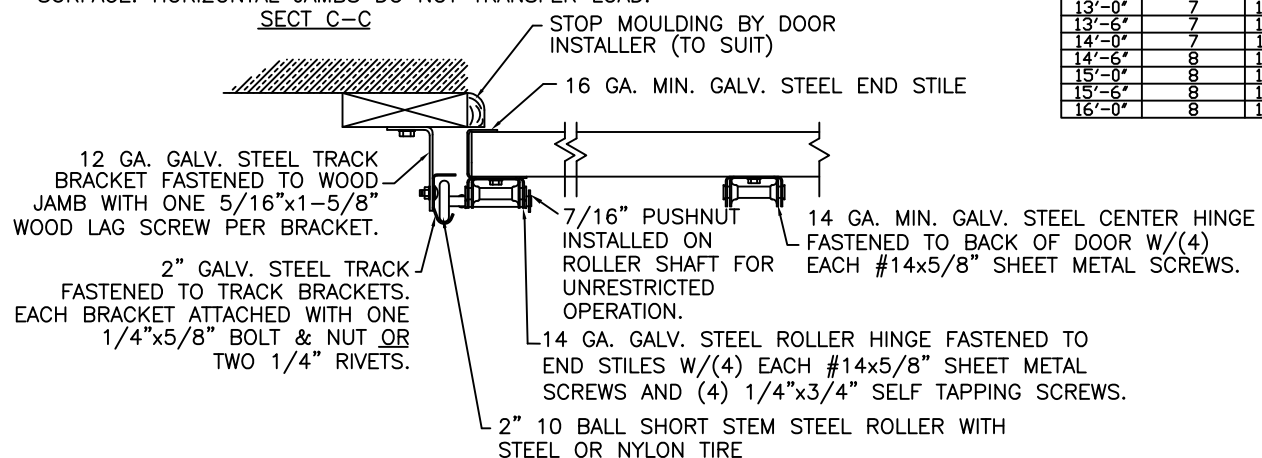


NOTE:  
DOORS UP TO 8'0" HAVE FOUR SECTIONS.  
DOORS 8'6" UP TO 10'0" HAVE FIVE SECTIONS.  
DOORS 10'6" TO 12'0" HAVE SIX SECTIONS.  
DOORS 12'6" TO 14'0" HAVE SEVEN SECTIONS.  
DOORS 14'6" TO 16'0" HAVE EIGHT SECTIONS.  
ALL SECTIONS ARE EITHER 18" OR 24" HIGH.



VERTICAL JAMB ATTACHMENT (WOOD FRAME BUILDINGS):  
3/8" x 3" (1-1/2" MIN. EMBED) LAG SCREWS ON 19" CENTERS. LAG SCREWS MUST USE 1-1/8" O.D. WASHER. LAG SCREWS MAY BE (BUT NOT REQUIRED) COUNTERSUNK TO PROVIDE A FLUSH MOUNTING SURFACE. HORIZONTAL JAMBS DO NOT TRANSFER LOAD.

VERTICAL JAMB ATTACHMENT (CMU BLOCK OR 2,000 PSI MIN. CONCRETE COLUMN):  
3/8" x 3" (1-1/2" MIN. EMBED) SLEEVE ANCHORS ON 17" CENTERS (GROUT-FILLED CMU BLOCK OR 2,000 PSI MIN. CONCRETE) OR 1/4" x 3" (1-1/2" MIN. EMBED) TAPCON SCREWS ON 14" CENTERS (2,000 PSI MIN. CONCRETE). WASHERS INCLUDED WITH SLEEVE ANCHORS, 1" O.D. WASHERS REQUIRED WITH TAPCONS. ANCHORS MAY BE (BUT NOT REQUIRED) COUNTERSUNK TO PROVIDE A FLUSH MOUNTING SURFACE. HORIZONTAL JAMBS DO NOT TRANSFER LOAD.



DOOR HEIGHT	NO. OF SECTIONS	"L"
6'-6"	4	70
7'-0"	4	76
7'-6"	4	82
8'-0"	4	88
8'-6"	5	94
9'-0"	5	100
9'-6"	5	106
10'-0"	5	112
10'-6"	6	118
11'-0"	6	124
11'-6"	6	130
12'-0"	6	136
12'-6"	7	142
13'-0"	7	148
13'-6"	7	154
14'-0"	7	160
14'-6"	8	166
15'-0"	8	172
15'-6"	8	178
16'-0"	8	184

TRACK CONFIGURATION ABOVE DOOR OPENING DOES NOT AFFECT THE WIND LOAD RATING

HORIZONTAL TRACK SUPPORT BY DOOR INSTALLER (TO SUIT)

TRACK CONFIGURATION

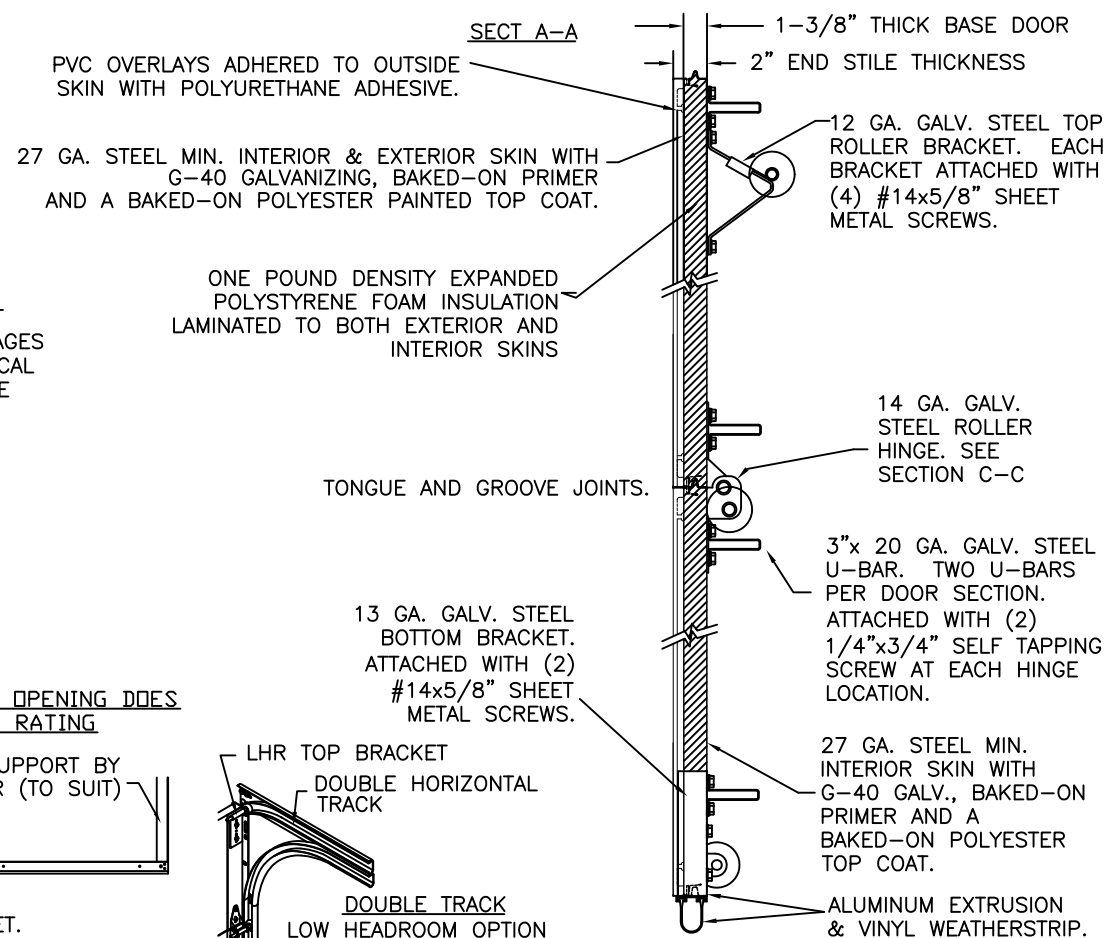
NOTE: DOUBLE TRACK LOW HEADROOM IS AVAILABLE AS AN OPTION

2" GALV. STEEL TRACK, TRACK THICKNESS: .060"

TYP. 2-1/2"x12 GA. GALV. STEEL TRACK BRACKET. MIN. (4) TRACK BRACKETS PER SIDE. DISTANCE BETWEEN TRACK BRACKETS NOT TO EXCEED 30" O.C.

NOTE: THE DESIGN OF THE SUPPORTING STRUCTURAL ELEMENTS SHALL BE THE RESPONSIBILITY OF THE PROFESSIONAL OF RECORD FOR THE BUILDING OR STRUCTURE AND IN ACCORDANCE WITH CURRENT BUILDING CODES FOR THE LOADS LISTED ON THIS DRAWING.

REV	DATE	ECN NO.	APPROVED	DESCRIPTION
04	06/02/05		SH	UPDATED CODE REF.
05	09/26/05		SH	ADDED ROLLER OPTION
06	05/15/06		SH	ADDED WINDOW OPTIONS; UPDATED M/N



NOTE: FOR DOORS OVER 12'-0" HIGH, TRACK CONFIGURATION SHALL NOT EXCEED MAXIMUM SPACING PROVIDED. CONSULT FACTORY FOR MORE DETAILS IF RQD.

THE OPTIONAL GLAZING SHOWN ON THIS DRAWING MEETS THE WIND LOAD REQUIREMENTS OF THE FLORIDA BUILDING CODE OR INTERNATIONAL BUILDING CODE BUT DOES NOT MEET THE IMPACT RESISTANT REQUIREMENT FOR WINDBORNE DEBRIS REGIONS (REF. CHAPTER 16 FBC/IBC)

THIS DOOR MEETS OR EXCEEDS THE DESIGN LOADS FOR THE WIND SPEEDS LISTED BELOW ACCORDING TO THE FLORIDA BLDG. CODE OR IBC (ASCE7) FOR THE FOLLOWING CONDITIONS: 1) ENCLOSED BUILDING, 2) DOOR HAS 2' OF WIDTH IN BUILDING'S END ZONE, 3) IMPORTANCE FACTOR OF 1.0, 4) ANY ROOF SLOPE, AND 5) 50% SAFETY FACTOR.

WIND SPEED (MPH)	≤ 100	110	110	120
EXPOSURE LEVEL	B or C	B	C	B
MEAN ROOF HEIGHT	30'	30'	15'	30'

DESIGN ENGINEER: MARK WESTERFIELD, P.E.  
FLORIDA P.E. #48495, NC P.E. #23832, TEXAS P.E. #91513

DESIGN LOADS: +25.0 P.S.F. & -25.0 P.S.F.  
TEST LOADS: +37.5 P.S.F. & -37.5 P.S.F.

ORIGINAL DRAWINGS ARE SIGNED IN BLUE INK WITH A RAISED SEAL (EMBOSS).

**Clopay**  
Building Products  
Company

CLOPAY BUILDING PRODUCTS COMPANY  
8585 DUKE BOULEVARD  
CINCINNATI, OH 45040  
(513) 770-4800

Clopay Corporation All Rights Reserved.

MANUFACTURING PRODUCT CODE MPC: DSIE0-1F479	WINDLOAD RATING W4	MAX. SIZE: 16'0" x 16'0"
DATE: 1/12/04	DESCRIPTION: MODEL COACHMAN +25/-25 PSF DESIGN	
DRAWN BY: RJK	B	DRAWING NUMBER: 103046
CHECKED BY:		REV: 06

FLORIDA PRODUCT APPROVAL 5675