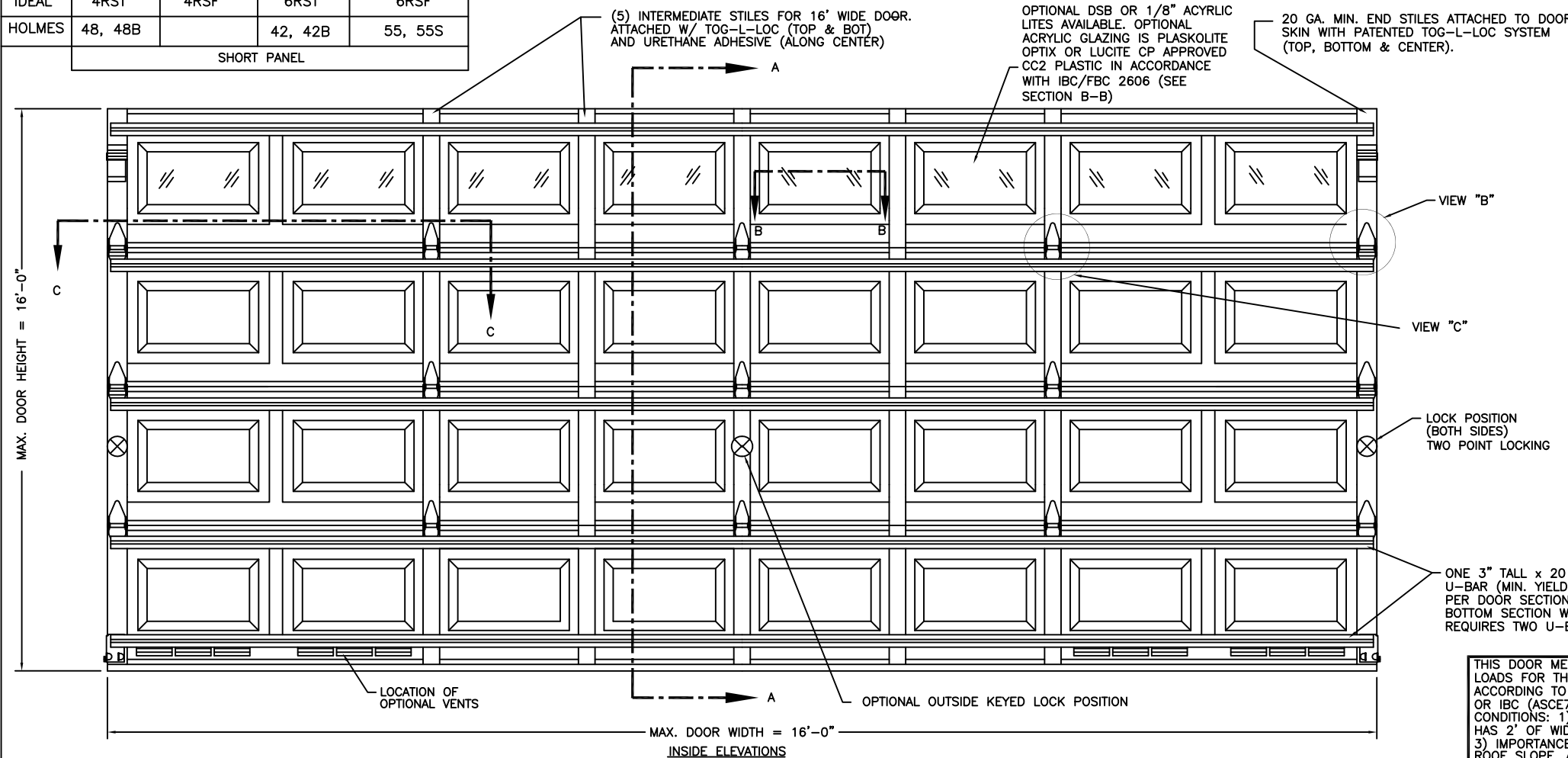


MODELS	24 GA	24 GA INS	25 GA	25 GA INS
CLOPAY	84A, 94		73, 75	1500, 190
IDEAL	4RST	4RSF	6RST	6RSF
HOLMES	48, 48B		42, 42B	55, 55S

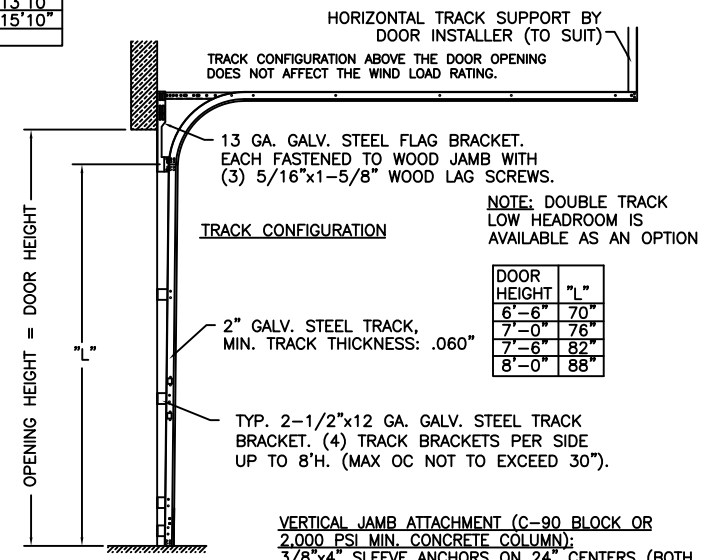
REV	DATE	DESCRIPTION
05	11/13/2000	QTY.(1) WAS (2) FOR TRACK BOLTS
06	9/2003	ADDED CENTER STILE QUANTITY CHART
07	08/02/04	ADDED INSULATED M/N 190, 1500
08	05/19/05	UPDATED CODE REF.
09	09/22/05	ADDED ROLLER OPTION
10	11/30/07	COMBINED CLOPAY, IDEAL, AND HOLMES DRAWINGS
11	10/21/08	ADDED M/N 42B, 48B, 55S, ADDED MPC



# OF CENTER STILES	DOOR WIDTH
1	9'2" TO 9'10"
2	10'0" TO 11'10"
3	12'0" TO 13'10"
4	14'0" TO 15'10"
5	16'0"

THE OPTIONAL GLAZING SHOWN ON THIS DRAWING MEETS THE WIND LOAD REQUIREMENTS OF THE FLORIDA BUILDING CODE OR INTERNATIONAL BUILDING CODE BUT DOES NOT MEET THE IMPACT RESISTANT REQUIREMENT FOR WINDBORNE DEBRIS REGIONS (REF. CHAPTER 16 FBC/IBC)

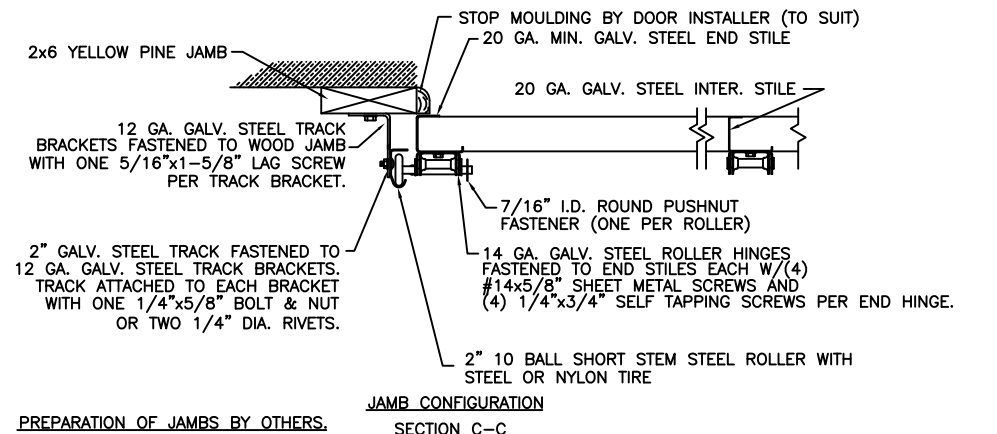
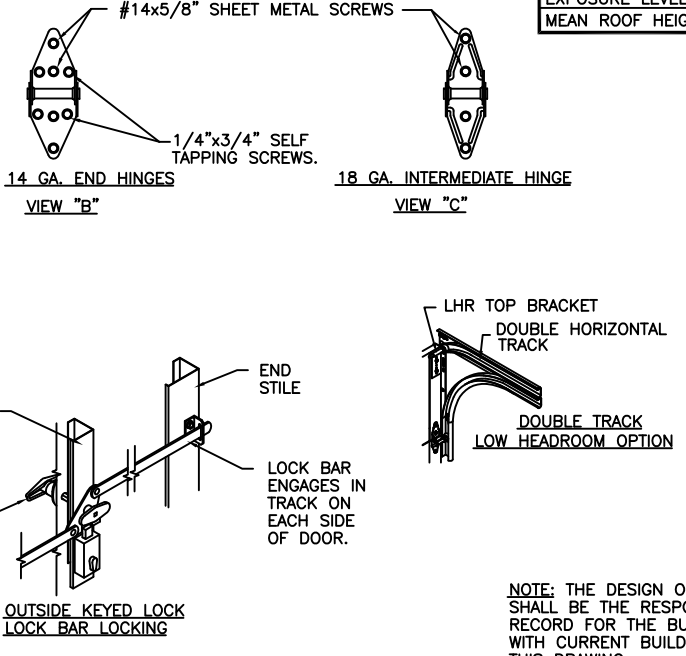
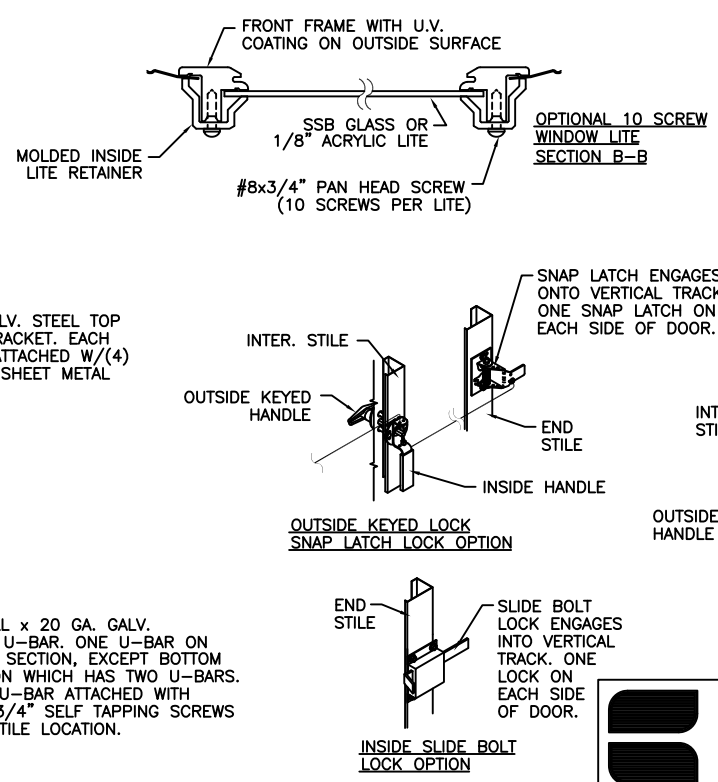
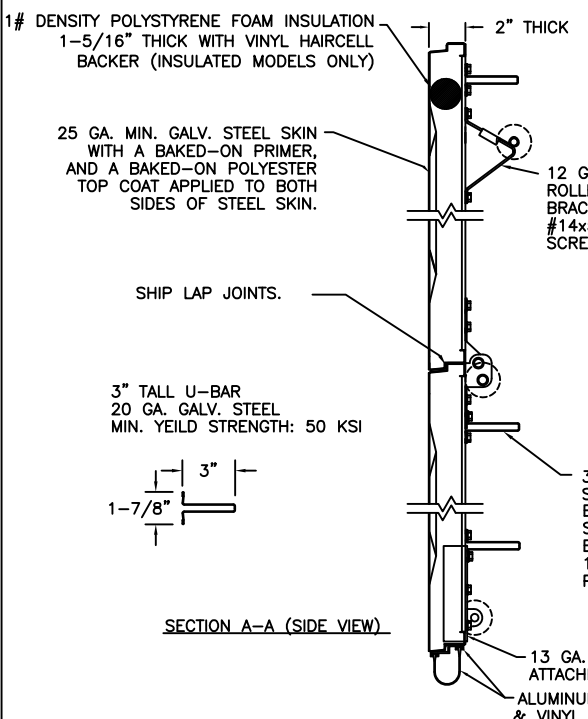
NOTE: FOR DOORS OVER 12'-0" HIGH, TRACK CONFIGURATION SHALL NOT EXCEED MAXIMUM SPACING PROVIDED. CONSULT FACTORY FOR MORE DETAIL IF RQD.



THIS DOOR MEETS OR EXCEEDS THE DESIGN LOADS FOR THE WIND SPEEDS LISTED BELOW ACCORDING TO THE FLORIDA BLDG. CODE OR IBC (ASCE7) FOR THE FOLLOWING CONDITIONS: 1) ENCLOSED BUILDING, 2) DOOR HAS 2' OF WIDTH IN BUILDING'S END ZONE, 3) IMPORTANCE FACTOR OF 1.0, 4) ANY ROOF SLOPE, AND 5) 50% SAFETY FACTOR.

WIND SPEED (MPH)	≤ 100	100	110	110
EXPOSURE LEVEL	B	C	B	C
MEAN ROOF HEIGHT	30'	17'	30'	N/A

VERTICAL JAMB ATTACHMENT (WOOD FRAME BUILDINGS): 1/2"x3" LAG SCREWS ON 22-1/2" CENTERS. 1" O.D. MIN. WASHER REQUIRED. LAG SCREWS MAY BE COUNTERSUNK (BUT NOT REQUIRED) TO PROVIDE A FLUSH MOUNTING SURFACE. HORIZONTAL JAMBS DO NOT TRANSFER LOAD.



NOTE: THE DESIGN OF THE SUPPORTING STRUCTURAL ELEMENTS SHALL BE THE RESPONSIBILITY OF THE PROFESSIONAL OF RECORD FOR THE BUILDING OR STRUCTURE AND IN ACCORDANCE WITH CURRENT BUILDING CODES FOR THE LOADS LISTED ON THIS DRAWING.

ORIGINAL DRAWINGS ARE SIGNED IN BLUE INK WITH A RAISED SEAL (EMBOSS).
DESIGN ENGINEER: MARK WESTERFIELD, P.E.
FLORIDA P.E. #48495, NC P.E. #23832, TEXAS P.E. #91513
DESIGN LOADS: +20.0 PSF & -21.0 PSF
TEST LOADS: +30.0 PSF & -32.0 PSF



CLOPAY BUILDING PRODUCTS COMPANY
8585 DUKE BLVD.
MASON, OH 45040
(513) 770-4800
Clopay Corporation All Rights Reserved.
The arrangements depicted herein are the sole property of the Clopay Corporation and may not be reproduced in any form without its written permission.

MANUFACTURING PRODUCT CODE:
MPC: PAN-2F153
DATE: 2/7/97
DRAWN BY: MWW
CHECKED BY:

WINDLOAD RATING	MAX. DOOR SIZE:
W3	16'W x 16'H
DESCRIPTION:	MODELS 73/75/84A/94; 16'W; +20,-21 DES. LOADS
DRAWING NUMBER:	REV:
B 101308	11