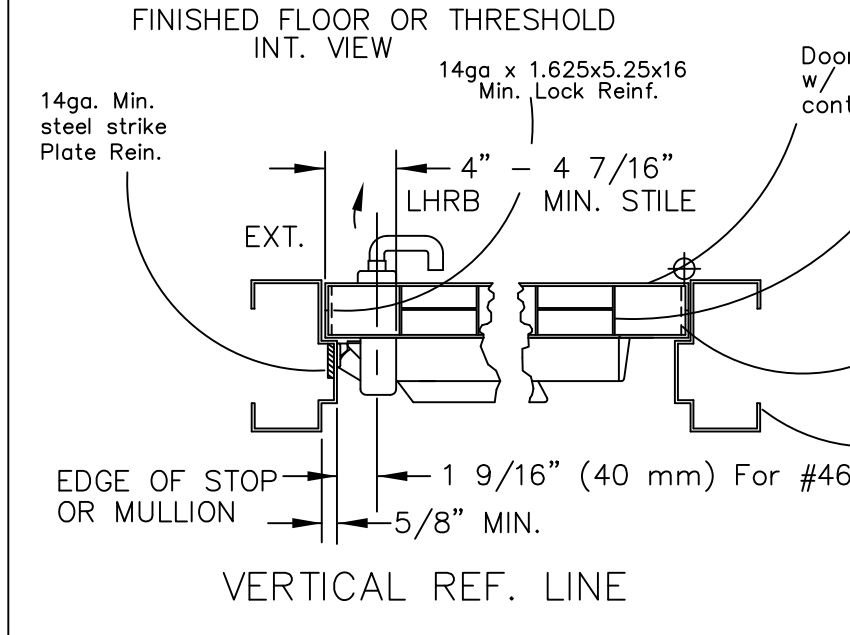
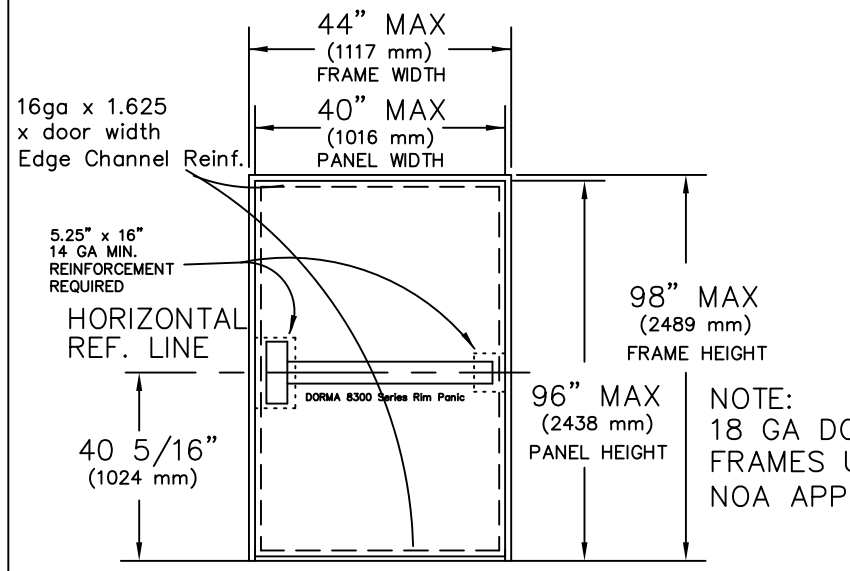


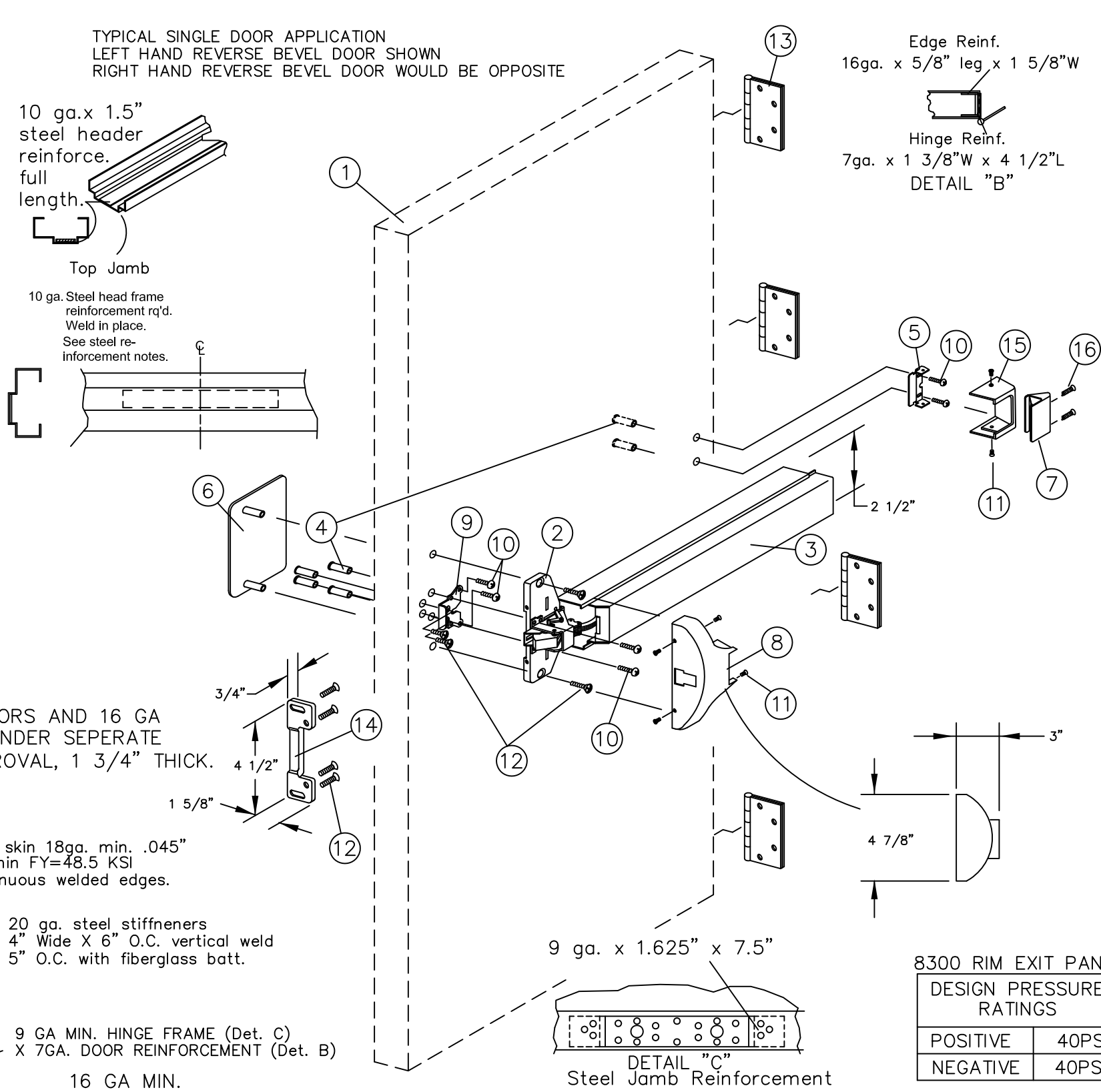
BILL OF MATERIAL			
ITEM	DESCRIPTION	PART NUMBER	QTY.
1	DOOR & FRAME	Under Sep. NOA	1
2	8300/F8300 CHASSIS ASSY.	SEE NOTES	1
3	TOUCHBAR/RAIL ASSY.		1
4	THRU BOLTS		6
5	ENDCAP BRACKET		1
6	OUTSIDE TRIM		1
7	ENDCAP		1
8	CHASSIS COVER		1
9	STRIKE ANGLE		1
10	12-24 R.H.P.M.S.		6
11	8-32 T.H.P.M.S.		6
12	12-24 F.H.P.M.S.		8
13	HINGES		4
14	#463 STRIKE	SEE NOTES	1
15	END COVER		1
16	#8 X 1" F.H.W.S.		2

CHASSIS ASSEMBLY MATERIAL: STEEL, BOLT 304 STAINLESS
 STRIKE MATERIAL: 701 SANDCAST MALLEABLE IRON FERRATIC GRADE 32510



DORMA 8300/F8300 Rim Panic Exit Devices (Component Approval)

On Impact Flush Outswing Single Steel Door Having Current NOA or Current HVHZ Florida State Approval



8300 RIM EXIT PANIC

DESIGN PRESSURE RATINGS	
POSITIVE	40PSF
NEGATIVE	40PSF

DETAIL "C" Steel Jamb Reinforcement

9 ga. x 1.625" x 7.5"

DESCRIPTION: 8400 SERIES SINGLE OR PAIR SVR				
MATERIAL:				
COIL WIDTH:	UNLESS NOTED OTHERWISE DECIMALS .XXX----±.005 DECIMALS .XX----±.010 FRACTIONS-----±1/64 ANGLES-----±2°			
PROGRESSION:				
WEIGHT:				
FINISH:				
SCALE: NONE	DRAWN BY: FM	DATE: 04/03/20	CHKD BY:	DATE:

dormakaba USA.
6161 E 75th ST
INDIANAPOLIS, IN 46250

GENERAL NOTES

LIMITATIONS:

- Device complies with FBC 2017 (6th Edition) and has been tested to TAS 201-94, 202-94 and 203-94.
- Devices approved to be used as equal alternative to corresponding lock approved to be used in applic. 18ga (min .045") w/min FY=48.5 KSI outswing steel doors holding a current NOA, lowest design pressure of door or this component will apply.
- Device shall be installed on 18ga (min .045") w/min FY=48.5 KSI commercial steel door panel no wider or higher than shown on these approved drawings.
- Installation of this device requires steel reinforcement as indicated.
- Electrical options are not part of this approval and must be reviewed by corresponding authority.

Certifications:
 Underwriters Laboratories-UL10C, UL305, UBC 7-2 (1997), ANSI-BHMA 156.3 Grade 1 Exit Hardware

3/4" Min. latchbolt throw. All reinforcement to be spot welded or better by door manufacturer.
 All dimensions in accordance with manufacturer's standard installation instructions.
 Frame: 16 ga. min.
 Door: 18ga (min..045") w/min. FY=48.5 KSI
 Hinge/Jamb reinforcement: As noted.
 Header channel: 10ga. x 1.5" x width.
 Lock stile/hinge stile, panic box reinforcement: 14 ga min.
 Outside trim may be one of the following: 80DT, 8PDT, 8003, 8P03, 8003P, KO3, R03, C03, K08, R08, C08, K23, R23, or C23.
 Thrubolts must be used on all install.
 Strike angle must be installed.

Building Drops, Inc.
398 E. Dania Beach Blvd.
Dania Beach, FL 33004
FBPE Cert. of Authorization No. 29578

6th Edition FBC Update	5	PM	10-23-17
5th Edition FBC Update	4	LS	6-16-15
Update per Dade	3	TA	5-2-13
Update per retest	2	TA	5-30-12
REVISIONS		NO.	BY
NO.		BY	DATE

DWG. 1 OF 2

DWG. NO. 8000

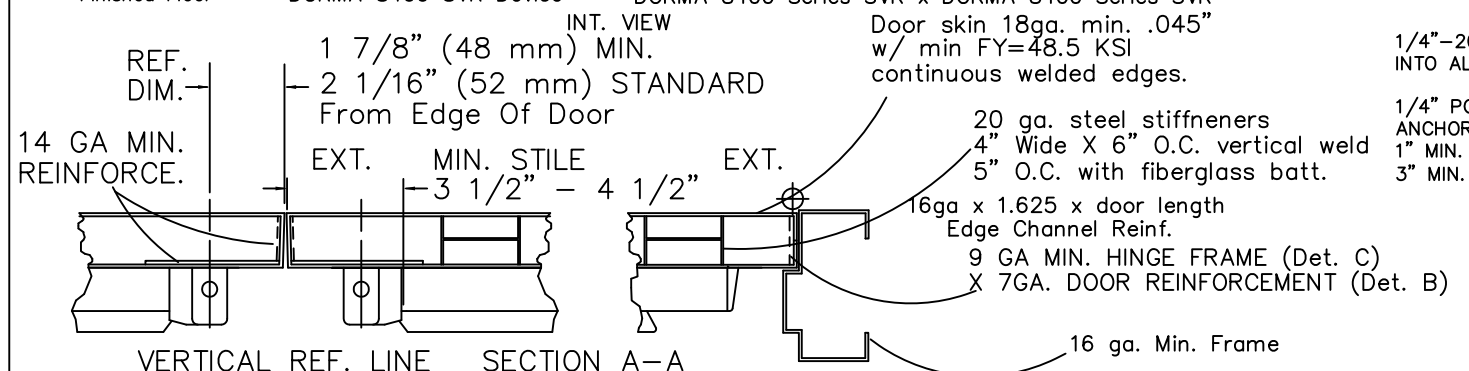
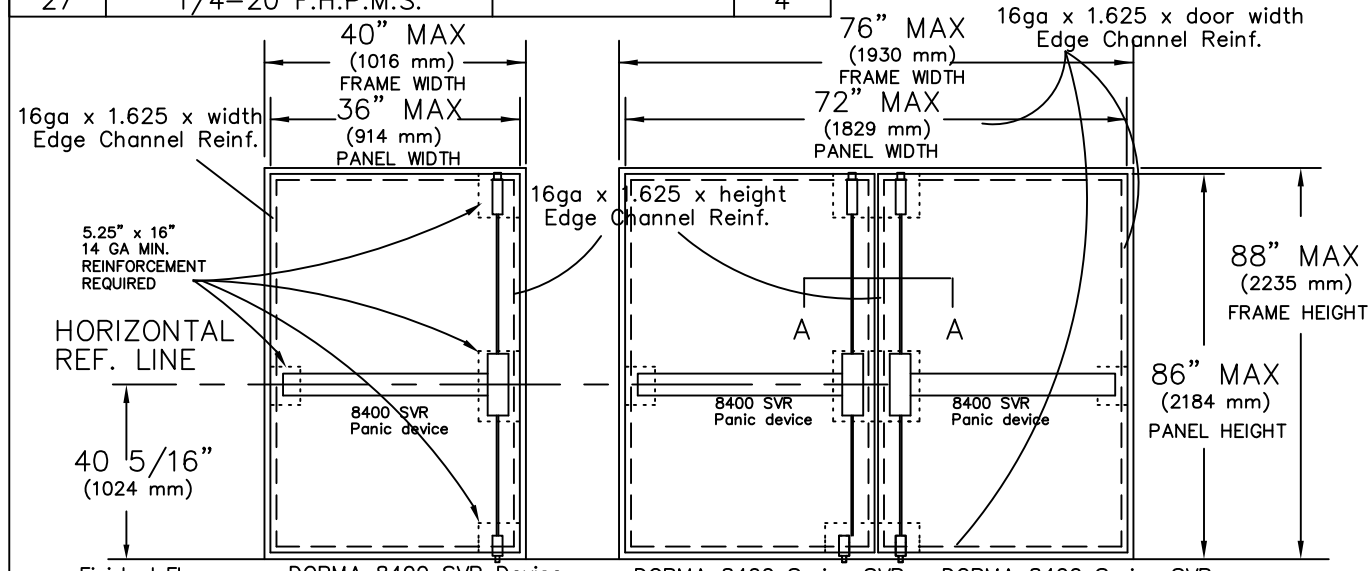
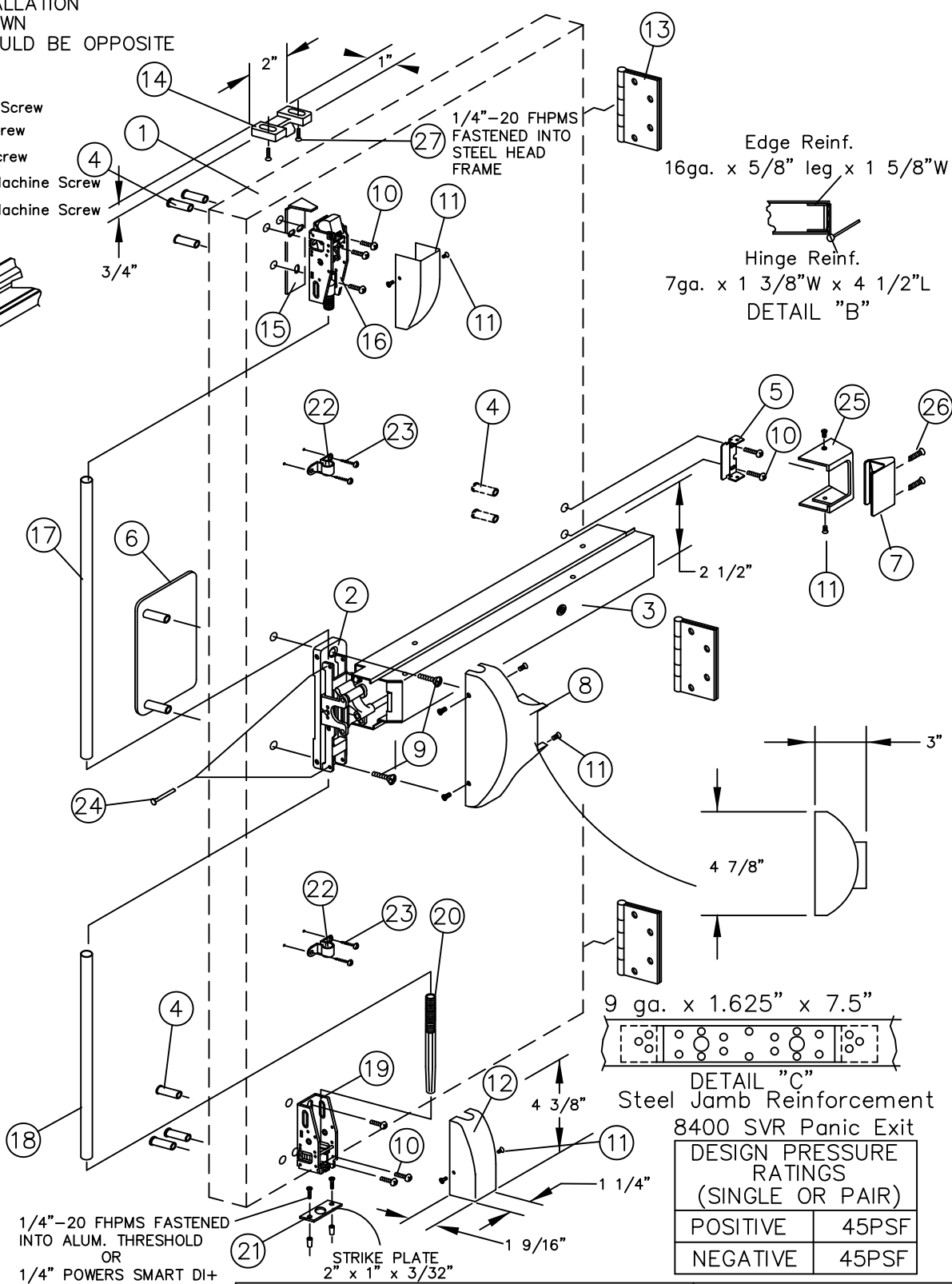
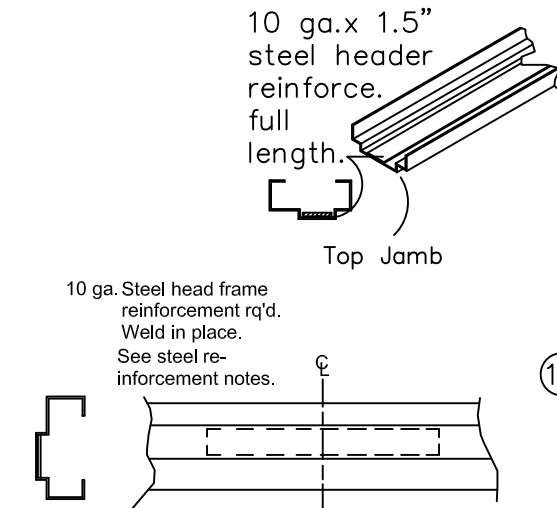
BILL OF MATERIAL			
ITEM	DESCRIPTION	PART NUMBER	QTY.
1	DOOR & FRAME	Under Sep. NOA	1
2	8400 CHASSIS ASSY.	STEEL	1
3	TOUCHBAR/RAIL ASSY.		1
4	THRU BOLTS		8
5	ENDCAP BRACKET		1
6	OUTSIDE TRIM		1
7	ENDCAP		1
8	CHASSIS COVER		1
9	12-24 F.H.P.M.S.		2
10	12-24 R.H.P.M.S.		8
11	8-32 T.H.P.M.S.		10
12	LATCH COVER		2
13	HINGES		3
14	#426 STRIKE PACK W/#27	SANDCAST GRAY IRON CLASS 20	1
15	STRIKE ANGLE	STAINLESS STEEL	1
16	TOP LATCH ASSEMBLY	STEEL	1
17	TOP CONNECTING ROD	1/2" O.D. ALUMINUM TUBING	1
18	BOTTOM CONNECTING ROD	1/2" O.D. ALUMINUM TUBING	1
19	BOTTOM LATCH BRACKET	STEEL	1
20	SLIDE BOLT ASSEMBLY	STEEL	1
21	#340 STRIKE PACK	STEEL	1
22	ROD GUIDE ASSEMBLY		2
23	#8 x 1" R.H.P.T.S.		4
24	ROD PIN		2
25	END COVER		1
26	#8 X 1" F.H.W.S.		2
27	1/4-20 F.H.P.M.S.		4

DORMA 8400/F8400 Surface Vertical Rod Application

On Outswing Single And Pair Steel Doors Having Current NOA or Current HVHZ Florida State Approval

TYPICAL SURFACE VERTICAL ROD INSTALLATION
LEFT HAND REVERSE BEVEL DOOR SHOWN
RIGHT HAND REVERSE BEVEL DOOR WOULD BE OPPOSITE

- Thru Bolt
- R.H.P.M.S.—Round Head Phillips Machine Screw
- F.H.P.M.S.—Flat Head Phillips Machine Screw
- O.H.P.M.S.—Oval Head Phillips Machine Screw
- F.H.P.U.C.M.S.—Flat Head Phillips Undercut Machine Screw
- T.H.P.U.C.M.S.—Flat Head Phillips Undercut Machine Screw



DESCRIPTION: 8400 SERIES SINGLE OR PAIR SVR	
MATERIAL:	
COIL WIDTH:	UNLESS NOTED OTHERWISE
PROGRESSION:	DECIMALS .XXX----±.005
WEIGHT:	DECIMALS .XX----±.010
FINISH:	FRACTIONS -----±1/64
	ANGLES-----±2'
SCALE: NONE	DRAWN BY: FM
	DATE: 10/23/17

dormakaba

dormakaba USA.
1003 W. BROADWAY
STEELEVILLE, ILLINOIS 62288

GENERAL NOTES

- LIMITATIONS:
- Device complies with FBC 2017 (6th Edition) and has been tested to TAS 201-94, 202-94 and 203-94.
 - Devices approved to be used as equal alternative to corresponding lock approved to be used in applic. 18ga (min .045") w/min FY=48.5 KSI outswing steel doors holding a current NOA, lowest design pressure of door or this component will apply.
 - Device shall be installed on 18ga (min .045") w/min FY=48.5 KSI commercial steel door panel no wider or higher than shown on these approved drawings.
 - Installation of this device requires steel reinforcement as indicated.
 - Electrical options are not part of this approval and must be reviewed by corresponding authority. Certifications: Underwriters Laboratories-UL10C, UL305, UBC 7-2 (1997), ANSI-BHMA 156.3 Grade 1 Exit Hardware
- 3/4" Min. latchbolt throw.
All reinforcement to be spot welded or better by door manufacturer.
All dimensions in accordance with manufacturer's standard installation instructions.
Frame: 16 ga. min.
Door: 18ga (min..045") w/min. FY=48.5 KSI
Hinge/Jamb reinforcement: As noted.
Header channel: 10ga. x 1.5" x width.
Lock stile/hinge stile, panic box reinforcement: 14 ga min.
- Outside trim may be one of the following: 80DT, 8PDT, 8003, 8P03, 8003P, K03, R03, C03, K08, R08, C08, K23, R23, or C23.
Thrubolts must be used on all install.
Strike angle must be installed.

Building Drops, Inc.
398 E. Dania Beach Blvd.
Dania Beach, FL 33004
FBPE Cert. of Authorization No. 29573

HERMES F. NORERO
LICENSE
No. 73778
STATE OF FLORIDA
PROFESSIONAL ENGINEER

6th Edition FBC Update	5	FM	10-23-17
5th Edition FBC Update	4	LS	6-16-15
Update per Dade	3	TA	5-2-13
Update per retest	2	TA	5-30-12
REVISIONS			
DWG. 2 OF 2	NO.	BY	DATE
DWG. NO.	8000		